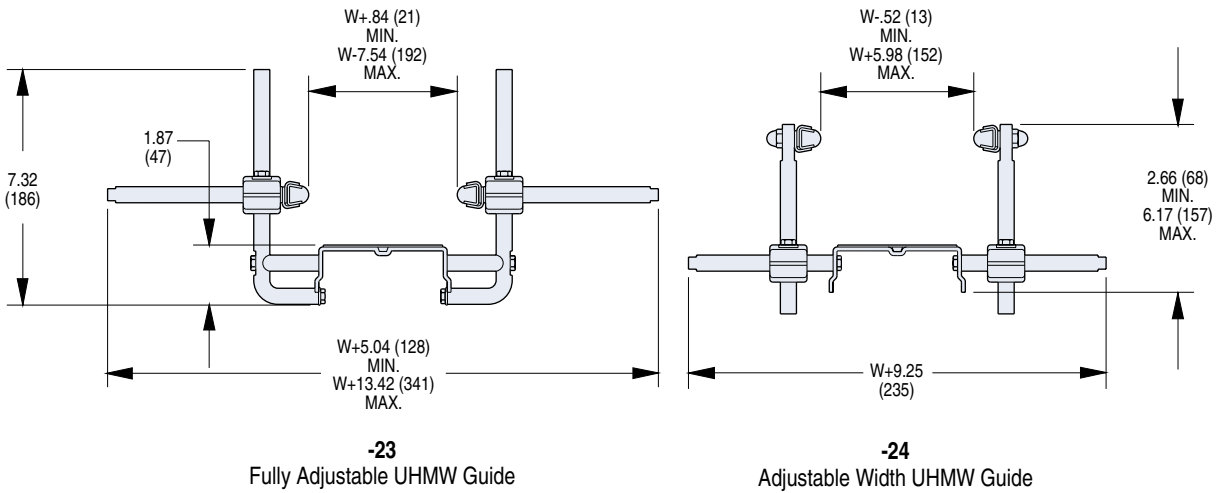
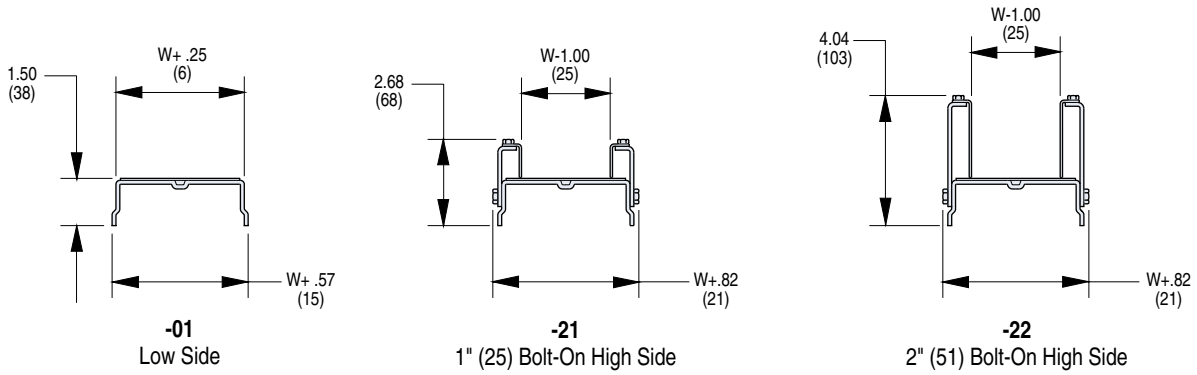


# AquaGard™ 7200 & 7300 SERIES: PROFILES



**W** = Conveyor Belt Width

**Dim** = in (mm)



For quick removal of Profile -21 and -22  
(Part # 450196MSS)