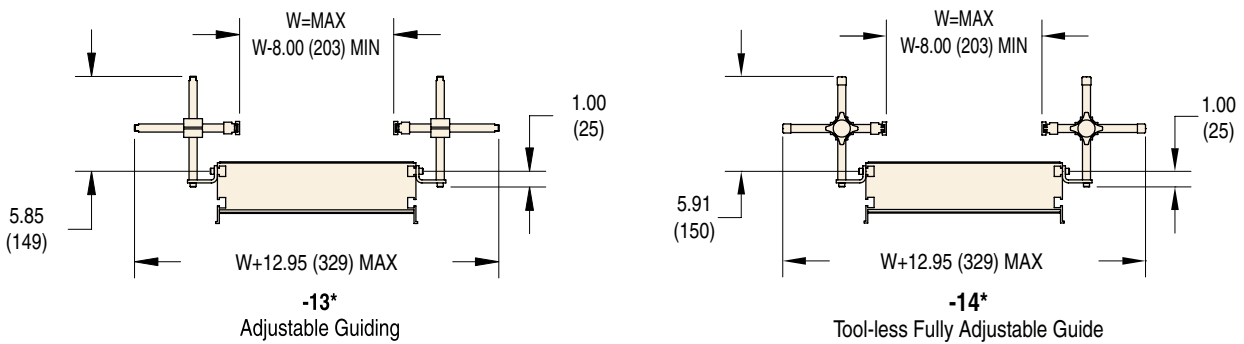
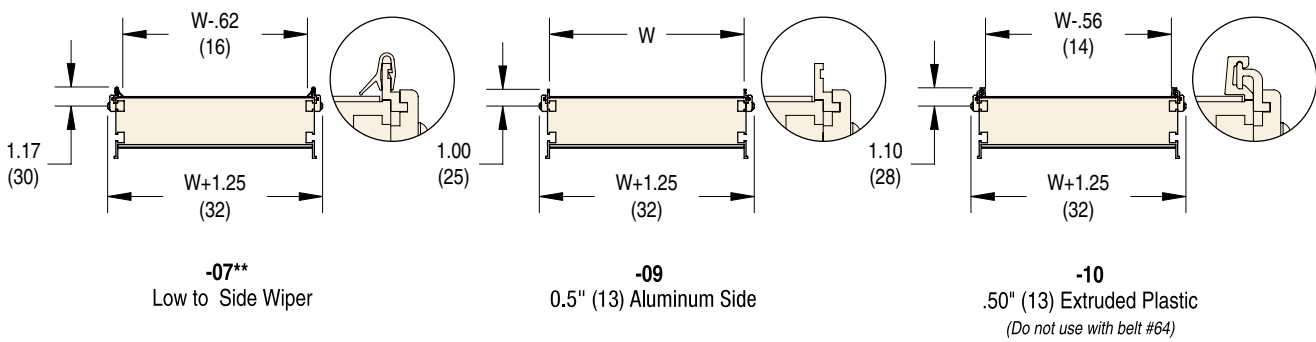
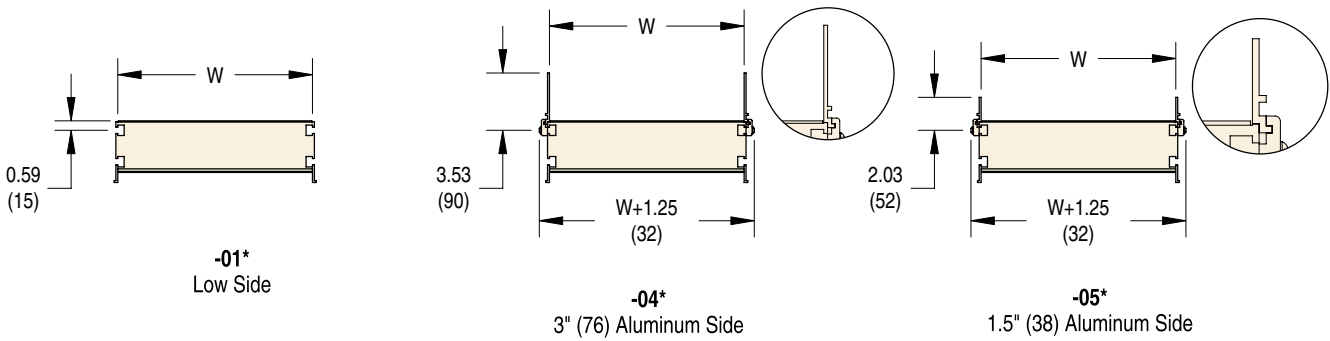


3200 SERIES: PROFILES



* Z-frame compatible profiles
 ** Do not use with High Friction Belts
 W = Conveyor Belt Width
 Dim = in (mm)