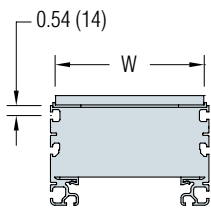
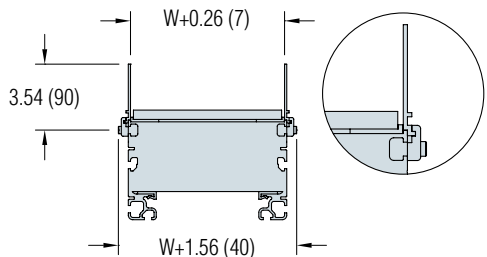


# 5200 & 5300 SERIES: PROFILES

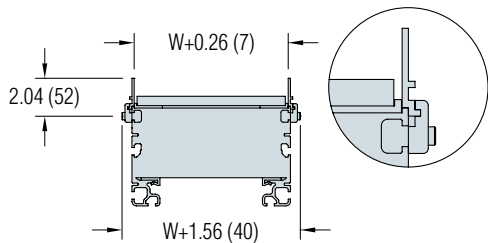
## 5200 & 5300 SERIES STRAIGHT PROFILES



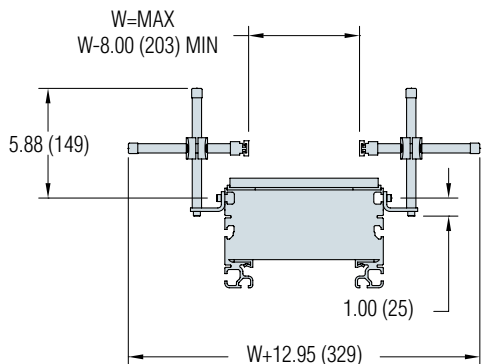
**01**



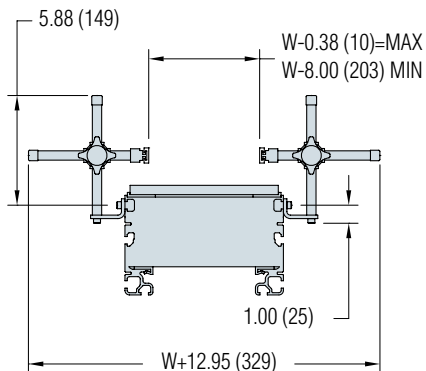
**04**



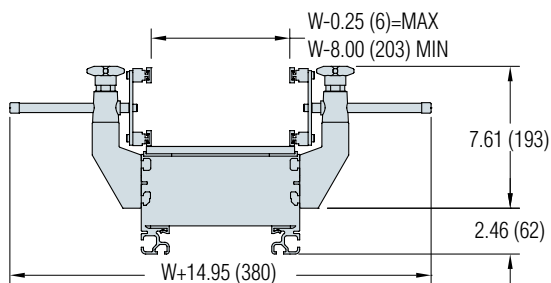
**05**



**13**



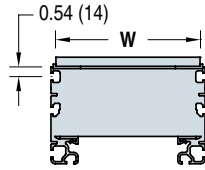
**14**



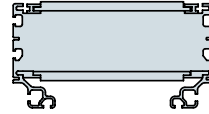
**15**  
(5200 Series only)

**W** = Conveyor Belt Width **Dim** = in (mm)

## 5200 SERIES CURVE PROFILES

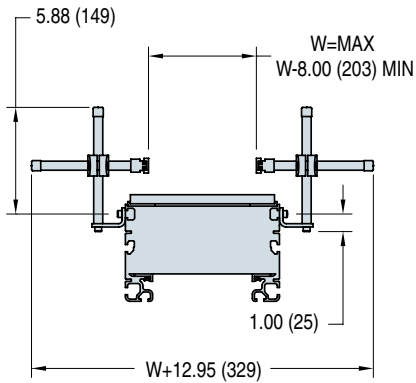


**NO GUIDE  
IN STRAIGHT**

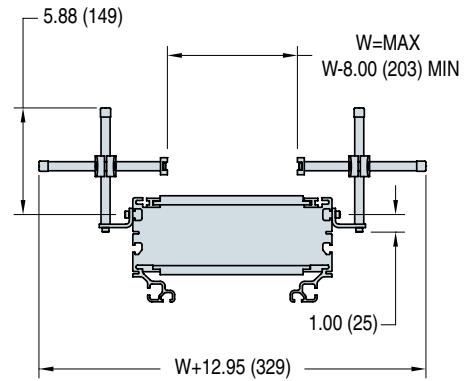


**NO PROFILE  
CURVE**

01

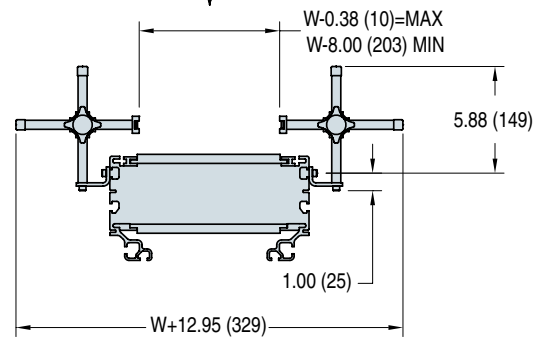
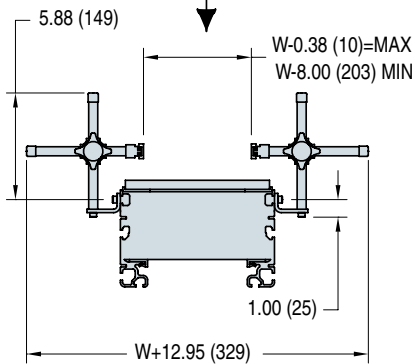


**ADJUSTABLE  
GUIDING IN  
STRAIGHT**



**ADJUSTABLE  
GUIDING IN  
CURVE**

13



14

**W** = Conveyor Belt Width    **Dim** = in (mm)