

## SEW GEARMOTORS AND MOUNTING PACKAGES

SEW-Eurodrive's W20 Series gearmotors (right angle) are single-stage units with unique SPIROPLAN® gearing. They differ from worm gears in their steel-on-steel material combinations and special tooth meshing design, which makes wear resistance and quiet operation possible.

### Standard Features

- Hardened steel gearing minimizes friction and wear
- All steel gearing and lifetime lubrication eliminates maintenance and increases service life
- Rugged aluminum housing keeps unit weight down
- Center tapped holes on output shafts
- Compact design fits tightest space requirements
- Design withstands larger overhung loads

### Mounting Configurations

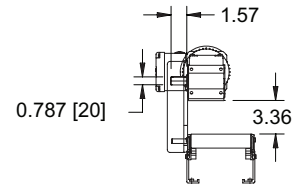
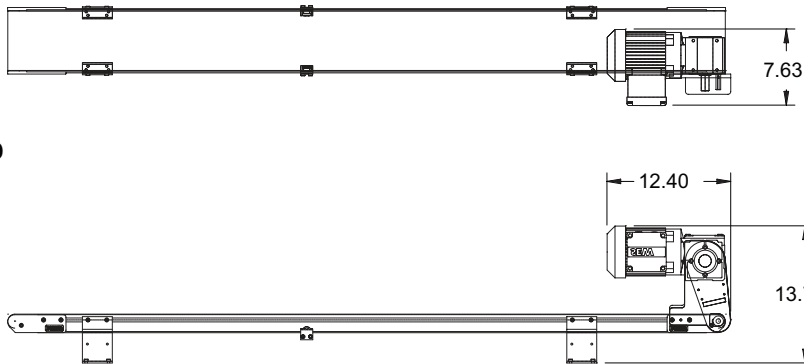
- Can be mounted in any orientation without changing lubricant levels. For even more flexibility, both the footprint and base-to-shaft center heights are identical, whether the gearmotor is mounted vertically or horizontally.

Product Range - W20 Series
0.5 HP with torques up to 350 lb-in.
Speed flexibility from 11 to 207 rpm using an 8, 6, or 4 pole

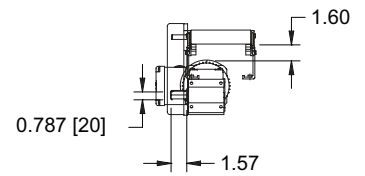
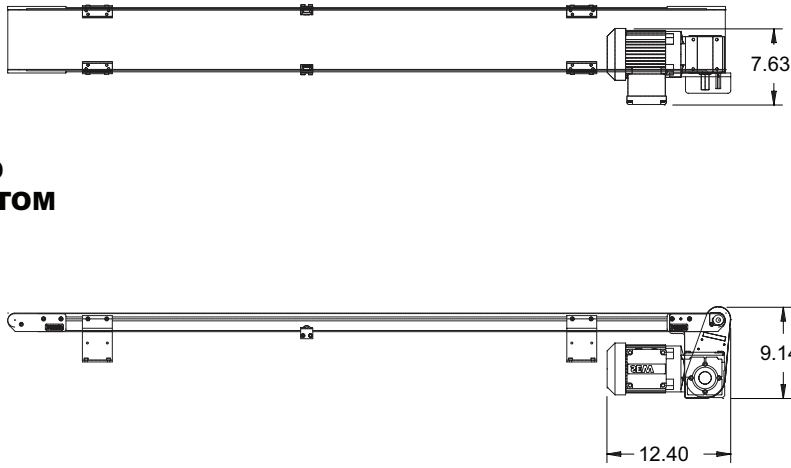
## W-Series SPIROPLAN® Low Horsepower Gearmotors

MOUNTING DIMENSIONS

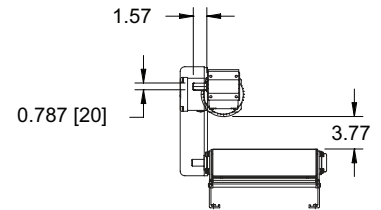
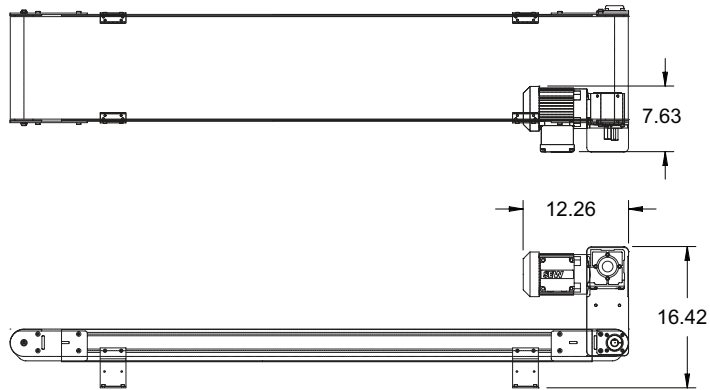
**2200  
STANDARD  
LOAD TOP  
MOUNT**



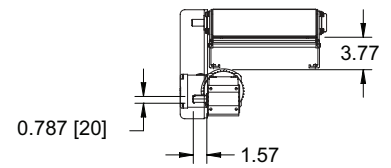
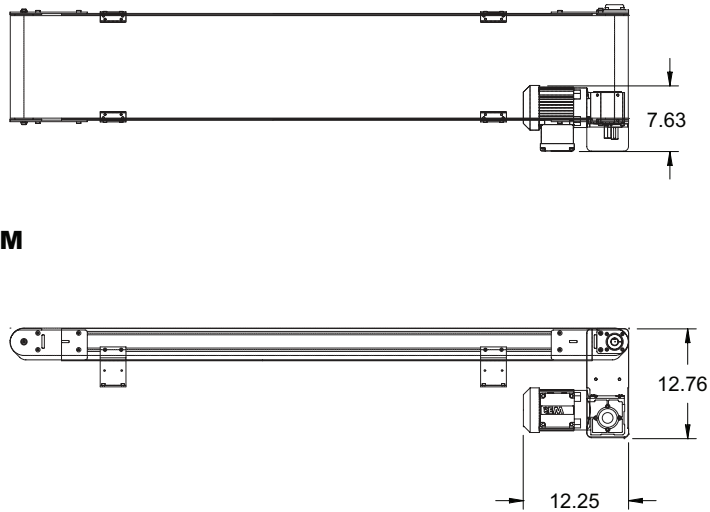
**2200  
STANDARD  
LOAD BOTTOM  
MOUNT**



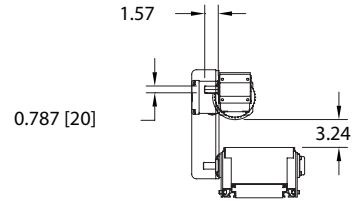
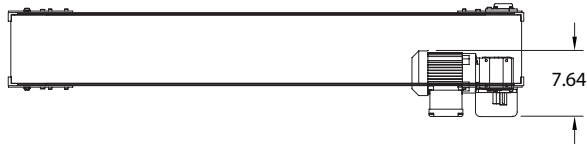
**3200  
STANDARD  
LOAD TOP  
MOUNT**



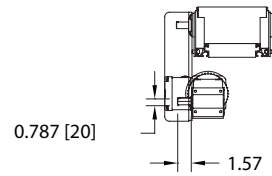
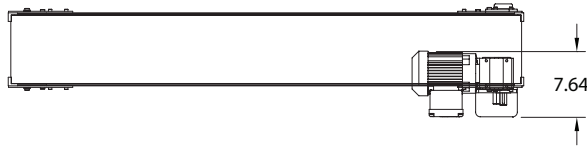
**3200  
STANDARD  
LOAD BOTTOM  
MOUNT**



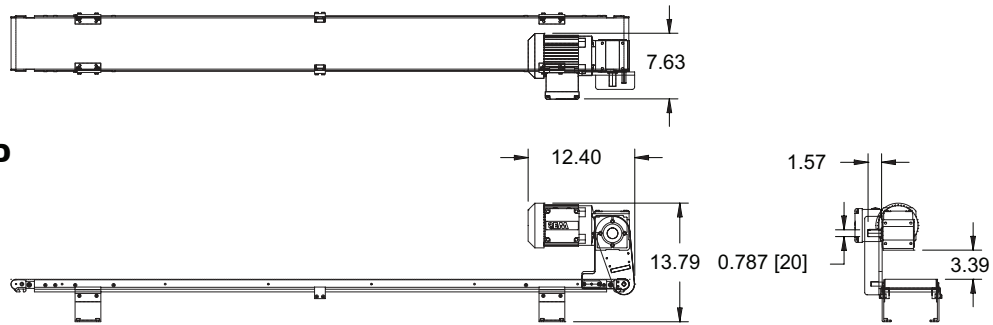
**5200  
STANDARD  
LOAD TOP  
MOUNT**



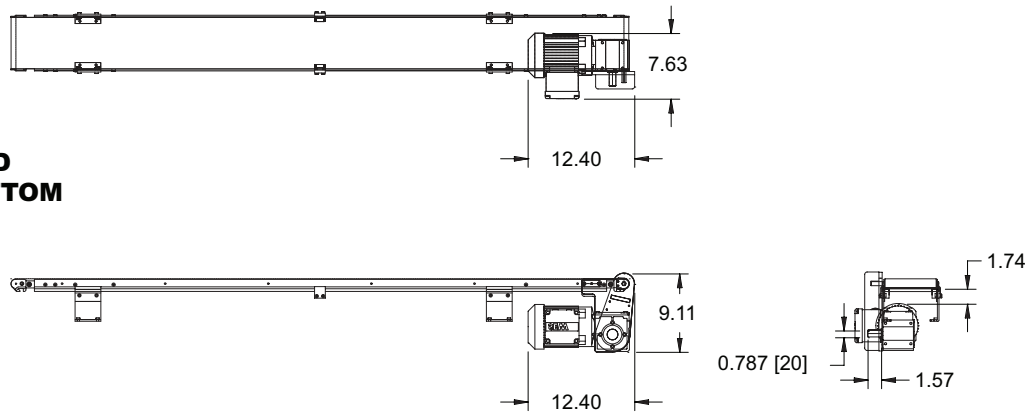
**5200  
STANDARD  
LOAD BOTTOM  
MOUNT**



**6200  
STANDARD  
LOAD TOP  
MOUNT**

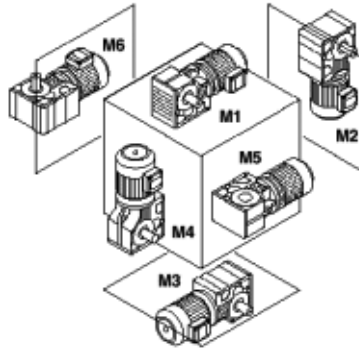


**6200  
STANDARD  
LOAD BOTTOM  
MOUNT**

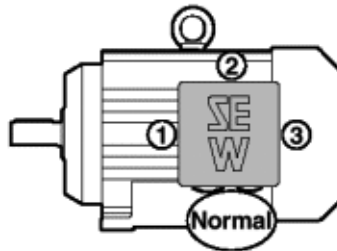


**SELECTING THE GEARMOTOR AND MOUNTING PACKAGE**

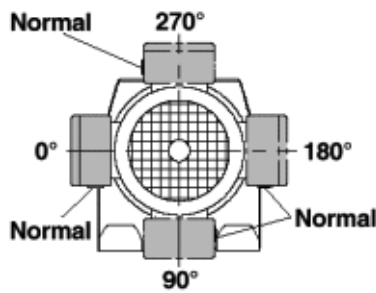
Please review the information below and be sure to include it when requesting a formal quotation.



1. MOUNT POSITION \_\_\_\_\_



2. CABLE ENTRY POSITION \_\_\_\_\_



3. TERMINAL BOX LOCATION \_\_\_\_\_