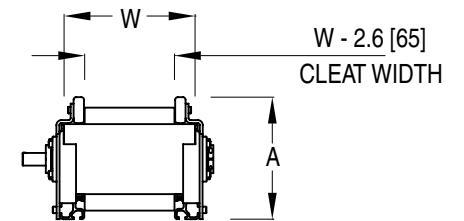
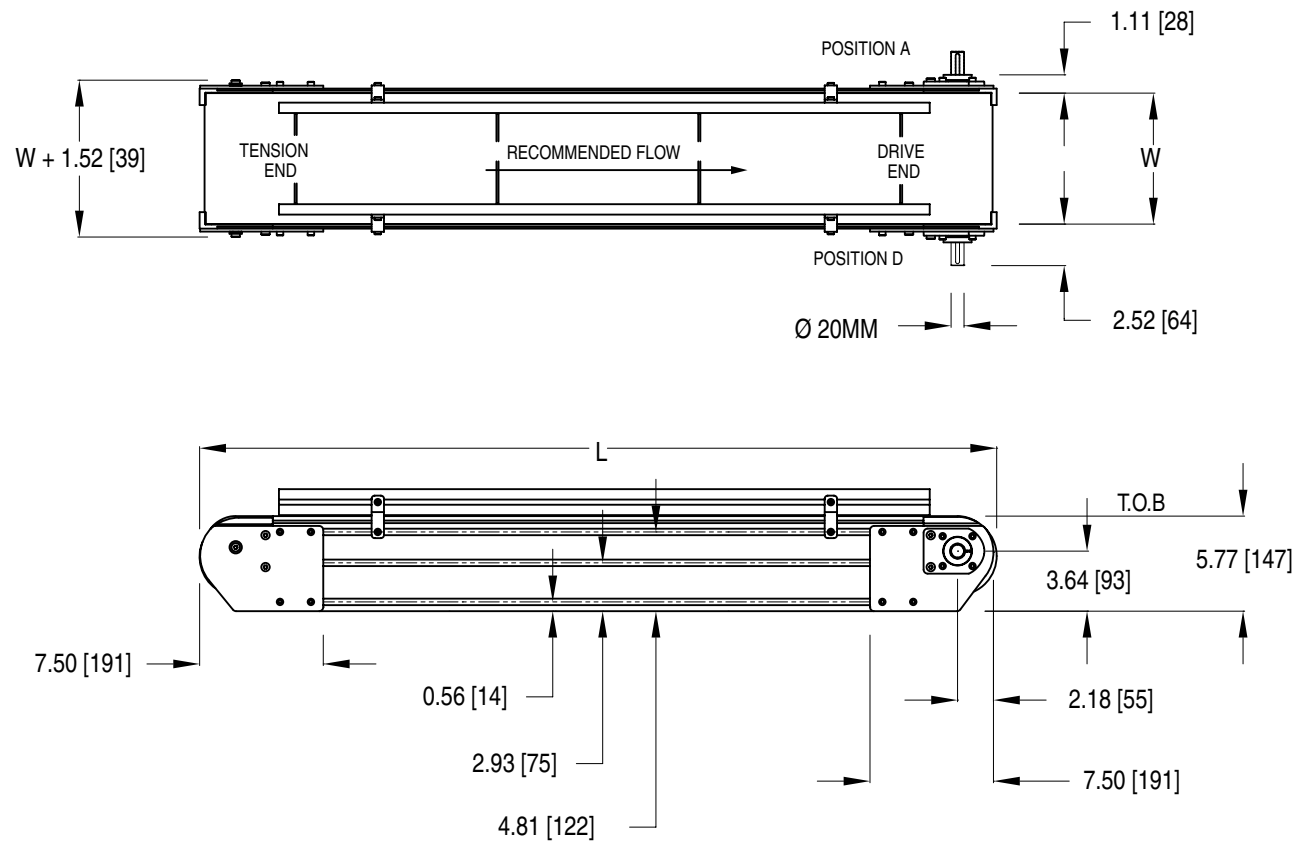


DORNER® QWIK CONVEYORS 5200 SERIES: Cleated Belt End Drive



A: 1" Cleats = 7.41 [188]
 3" Cleats = 8.98 [228]

W = Conveyor Belt Width