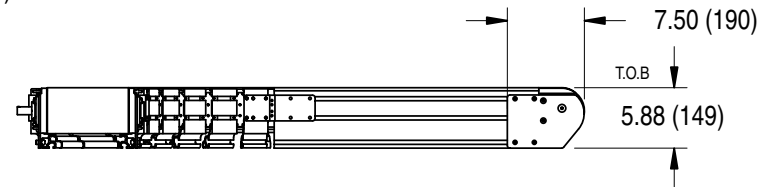
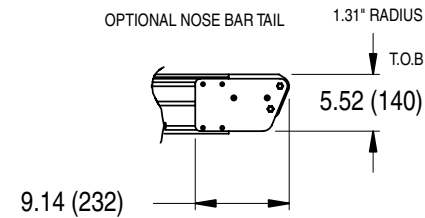
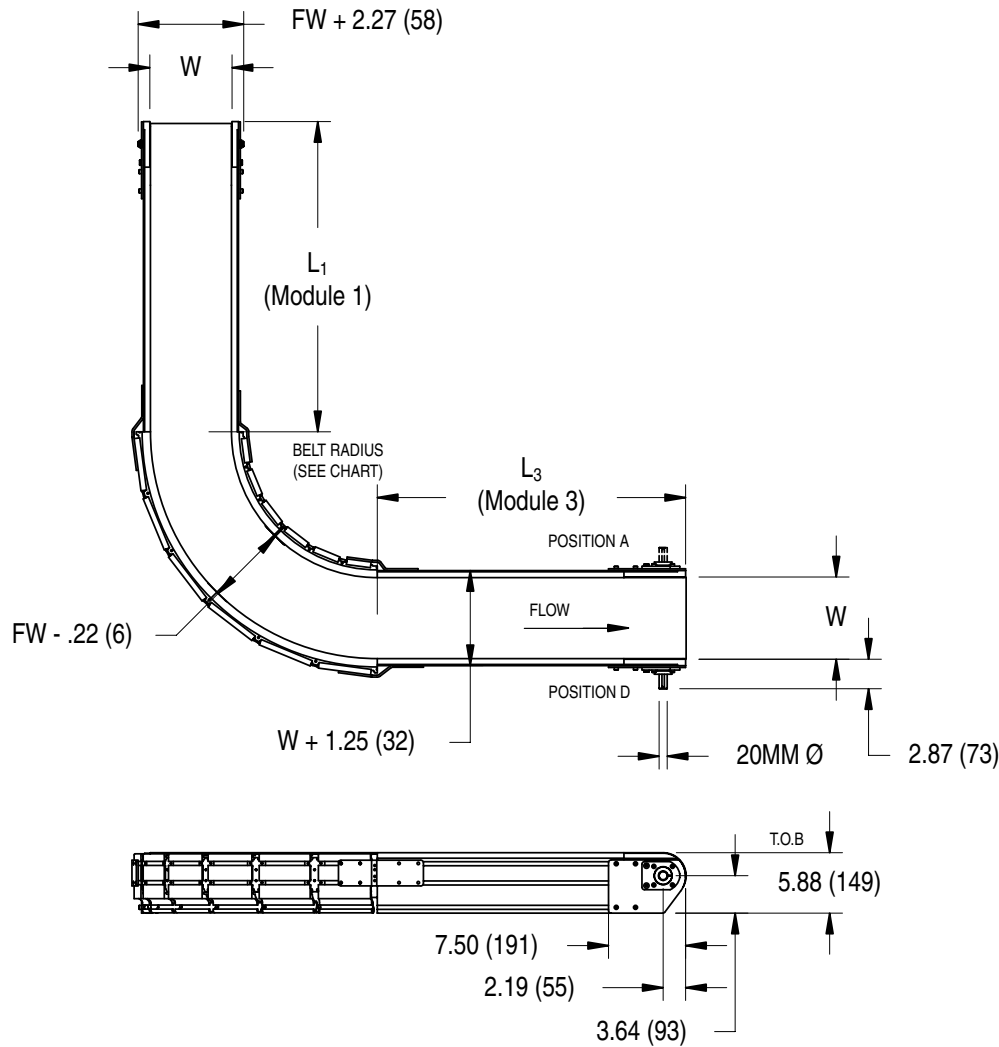


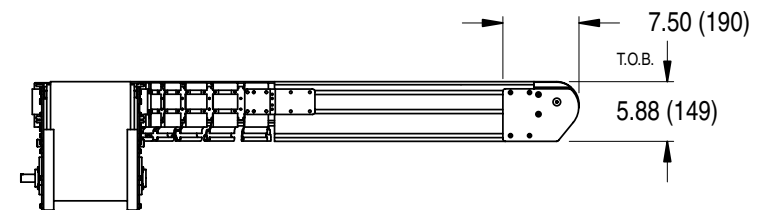
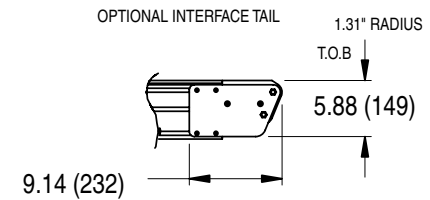
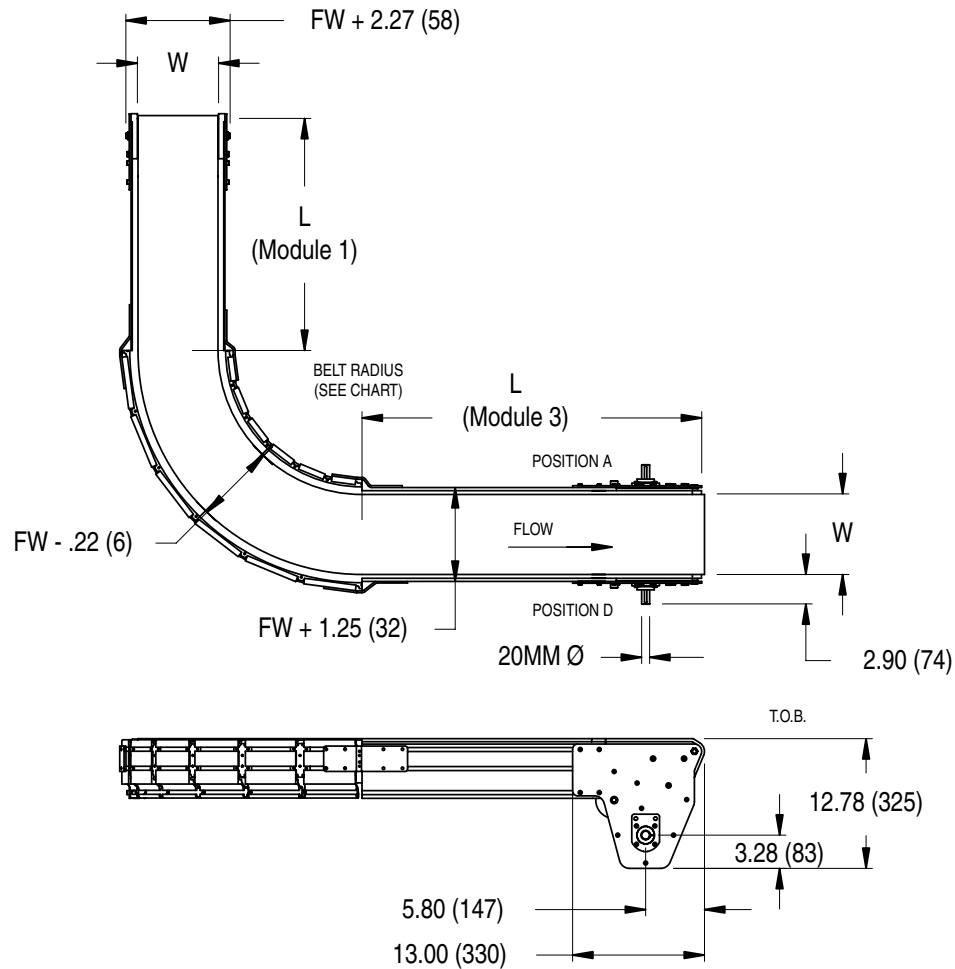
DORNER® QWIK CONVEYORS 5200 SERIES: Curved Flat Belt End Drive

End Drive Model



W = Conveyor Belt Width
FW = Frame Width

Nose Bar Drive Model



W = Conveyor Belt Width
FW = Frame Width