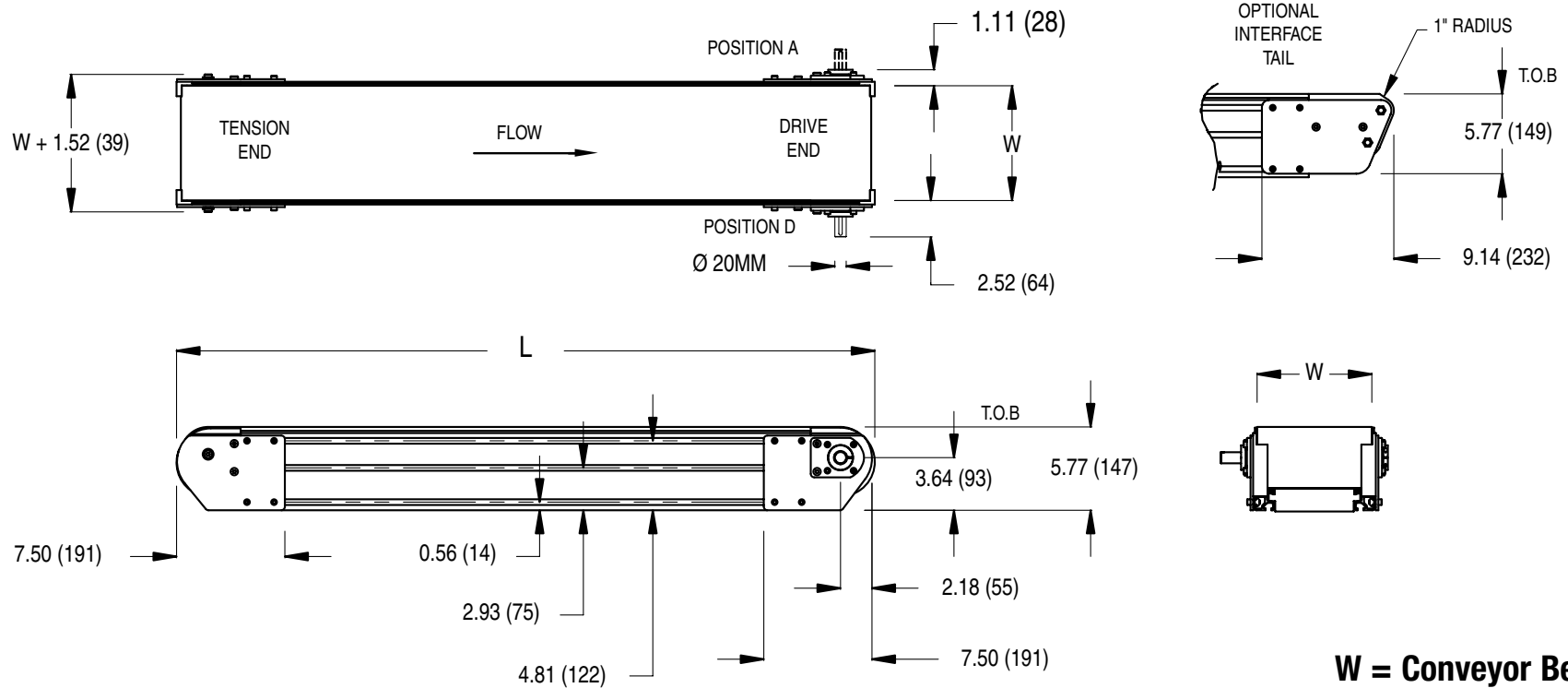
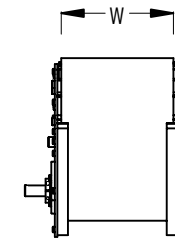
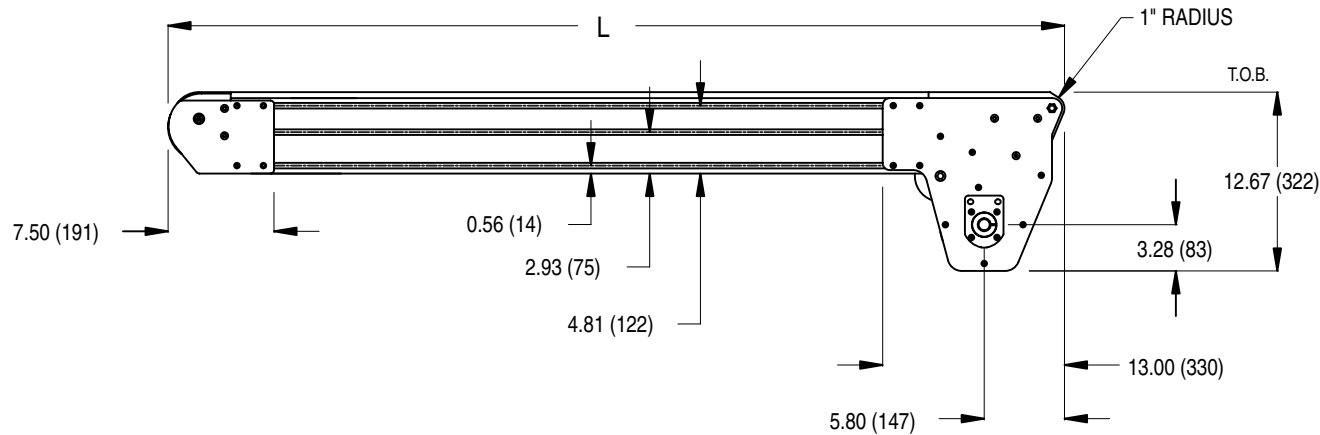
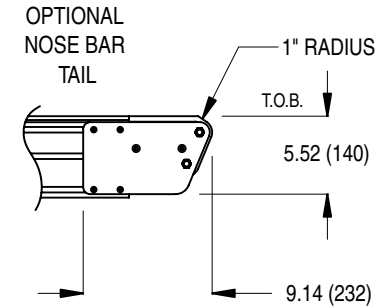
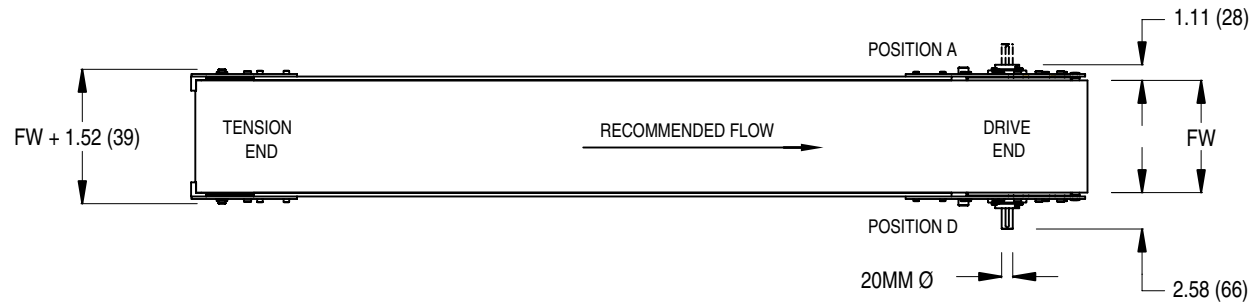


DORNER® QWIK CONVEYORS 5200 SERIES: Flat Belt End Drive

End Drive Model



Nose Bar Drive Model



W = Conveyor Belt Width
FW = Frame Width