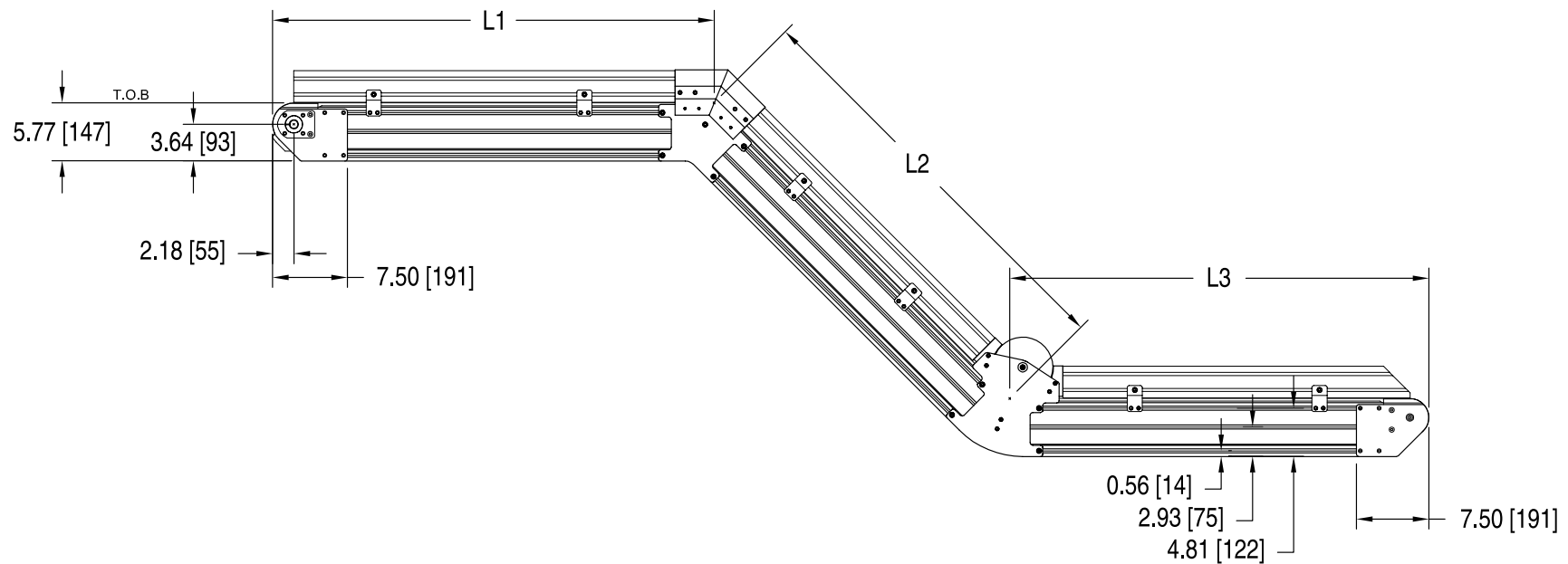
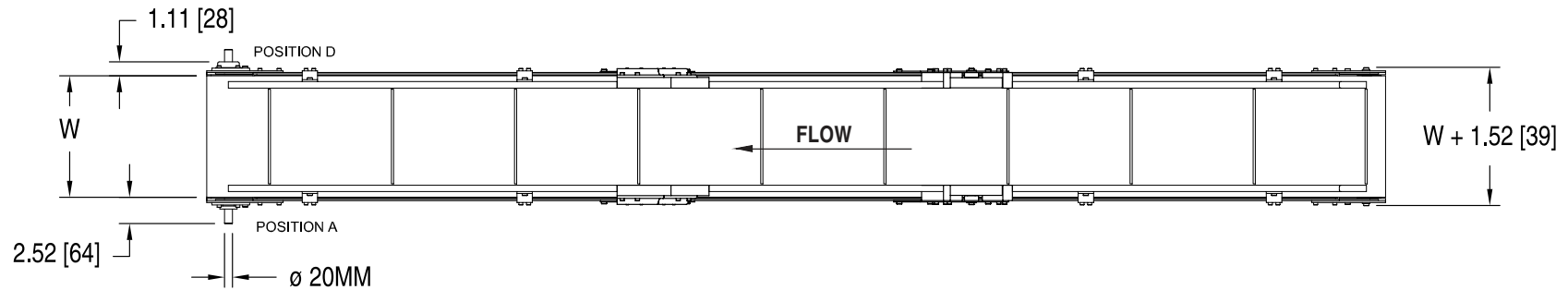


DORNER® QWIK CONVEYORS 5200 SERIES: z-Frame



W = Conveyor Belt Width