

DORNER[®]

AquaPruf[®]
ULTIMATE

Sanitary Support Stands

Installation, Maintenance and Parts Manual



DORNER MFG. CORP.
P.O. Box 20 • 975 Cottonwood Ave.
Hartland, WI 53029-0020 USA

INSIDE THE USA
TEL: 1-800-397-8664
FAX: 1-800-369-2440


OUTSIDE THE USA
TEL: 262-367-7600
FAX: 262-367-5827

For other service manuals visit our website at:
www.dorner.com/service_manuals.asp

Table of Contents

Introduction	2	Stands with Feet.....	12
Warnings – General Safety.....	3	Stands with Casters.....	13
Product Description.....	4	Ultimate Stands with Feet.....	14
Specifications	4	Ultimate Stands with Casters.....	14
Sanitary Support Stand Models	5	Quick Release Stand - Pivoting / Disconnect.....	15
Ultimate Sanitary Support Stand Models	5	Conveyor Angle Adjustment.....	15
Installation	6	Required Tools.....	15
Required Tools.....	6	Service Parts.....	14
Recommended Installation Sequence	6	Direct Mount Sanitary Support Stand (Type DS)	17
Stand Attachment to the Conveyor	6	Pivot Mount Sanitary Support Stand	
Direct Mount Stands (DS Type).....	6	(Type DP)	18
Pivot Mount Stands (DP and AM Types)	7	Motor Mount Stand (Type MS).....	20
7200 and 7300 Series.....	7	Horizontal Mount Sanitary Support Stand (Type HM)..	22
7350, 7360, 7400 and 7600 Series.....	8	Incline Mount Sanitary Support Stand (Type AM).....	24
Pivot Mount Stand (MS Type) Connected to Heavy		Horizontal Outrigger Stand	26
Load Drive Mount for 7200 and 7300 Series.....	8	Incline Outrigger Stand	27
Horizontal and Bracket Mount Stands		Bracket Mount Sanitary Support Stand (Type BM).....	28
(HM and BM Types)		Quick Release Sanitary Support Stand (Type QR)	29
for 7350, 7360, 7400 and 7600 Series.....	9	Ultimate Horizontal Mount Sanitary Support Stand	
Ultimate Stands for 7350, 7360,		(Type HM).....	30
7400 and 7600 Series	9	Ultimate Incline Mount Sanitary Support Stand	
Quick Release Stands (QR Type)		(Type AM).....	31
for 7350, 7360, 7400 and 7600 Series.....	10	Ultimate Horizontal Outrigger Stand	32
Diagonal Brace Attachment for 7200 and 7300 Series..	11	Ultimate Incline Outrigger Stand	33
Diagonal Brace Attachment for		Ultimate Quick Release Sanitary Support Stand	
7350, 7360, 7400 and 7600 Series	11	(Type QR).....	34
Preventive Maintenance and Adjustment.....	12	Notes	35
Stand Height Adjustment.....	12	Return Policy.....	36
Required Tools	12		

Introduction

 CAUTION
<p>Some illustrations may show guards removed. DO NOT operate equipment without guards.</p>

Upon receipt of shipment:


- Compare shipment with packing slip. Contact factory regarding discrepancies.
- Inspect packages for shipping damage. Contact carrier regarding damage. Accessories may be shipped loose.
- See accessory instructions for installation.

The Dorner Limited Warranty applies.

NOTE
<p><i>Proper conveyor application, cleaning, and sanitation are the responsibility of the end user.</i></p>

Dorner 7200 Series, 7300 Series, 7400 Series and 7600 Series conveyors are covered by Patent Nos. 5174435, 6109427 and corresponding patents and patent applications in other countries.

Dorner reserves the right to make changes at any time without notice or obligation.

Dorner has convenient, pre-configured kits of Key Service Parts for all conveyor products. These time saving kits are easy to order, designed for fast installation, and guarantee you will have what you need when you need it. Key Parts and Kits are marked in the Service Parts section of this manual with the Performance Parts Kits logo .


Warnings – General Safety

⚠ DANGER



SEVERE HAZARD!
KEEP OFF CONVEYORS. Climbing, sitting, walking or riding on conveyor will result in death or serious injury.

⚠ DANGER



EXPLOSION HAZARD!

- **DO NOT OPERATE CONVEYORS IN AN EXPLOSIVE ENVIRONMENT.** The electric gearmotor generates heat and could ignite combustible vapors.
- Failure to comply will result in death or serious injury.

⚠ DANGER



SEVERE INJURY!

- **SUPPORTS MARKED WITH THIS SYMBOL MUST BE ANCHORED TO THE FLOOR.**
- Supports not anchored to the floor will tip, causing serious injury or death.

⚠ WARNING



CRUSH HAZARD!

- **MAKE SURE TO SECURE ALL STAND SCREWS.**
- Failure to do so may cause conveyor sections to drop down, causing serious injury.

⚠ WARNING



CRUSH HAZARD!


- **SUPPORT CONVEYOR SECTIONS PRIOR TO LOOSENING STAND HEIGHT OR ANGLE ADJUSTMENT SCREWS.**
- Loosening stand height or angle adjustment screws may cause conveyor sections to drop down, causing serious injury.

⚠ WARNING



SEVERE HAZARD!
LOCK OUT POWER before removing guards or performing maintenance. Exposed moving parts can cause serious injury.

⚠ WARNING



SEVERE HAZARD!

- **Dorner cannot control the physical installation and application of conveyors.** Taking protective measures is the responsibility of the user.
- When conveyors are used in conjunction with other equipment or as part of a multiple conveyor system, **CHECK FOR POTENTIAL PINCH POINTS** and other mechanical hazards before system start-up.
- Failure to comply could result in serious injury.

Product Description

Refer to **(Figure 1)** for typical support stand components.

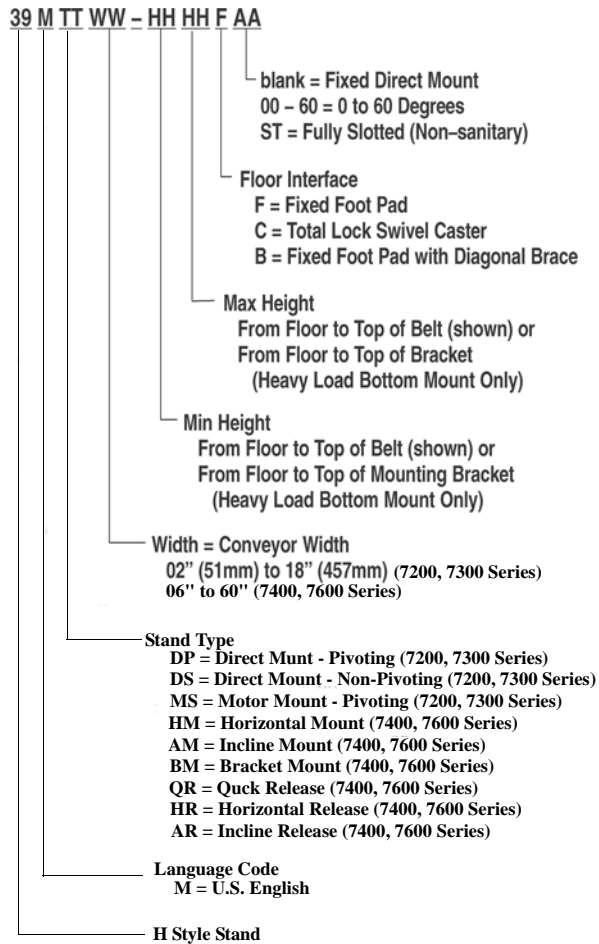
Typical Components

- 1 Support stand
- 2 Stand mounting bracket
- 3 Optional casters
- 4 Diagonal brace

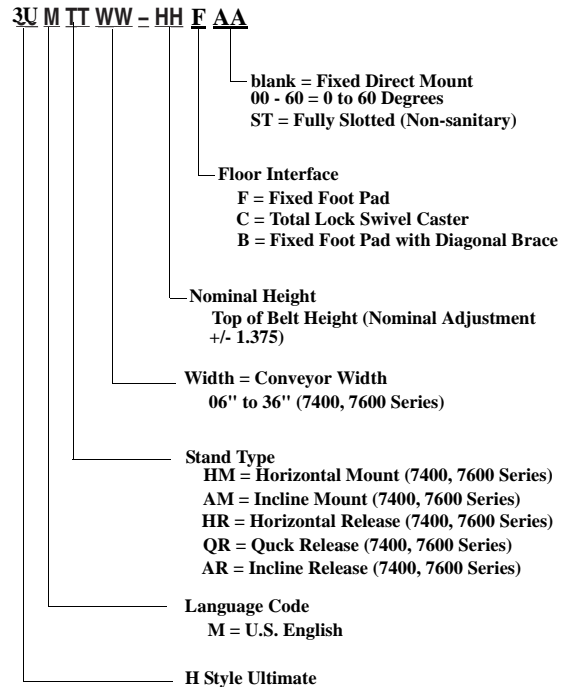


Figure 1

Sanitary Support Stand Models



Ultimate Sanitary Support Stand Models



Example: 39MDS04-2226B

AquaPruf® direct mount sanitary support stand for a 4" (102 mm) wide conveyor with a minimum height of 22" (559 mm) and a maximum height of 26" (660 mm). It comes with swivel foot pads, diagonal bracing, and U.S. English documentation. (Figure 2)

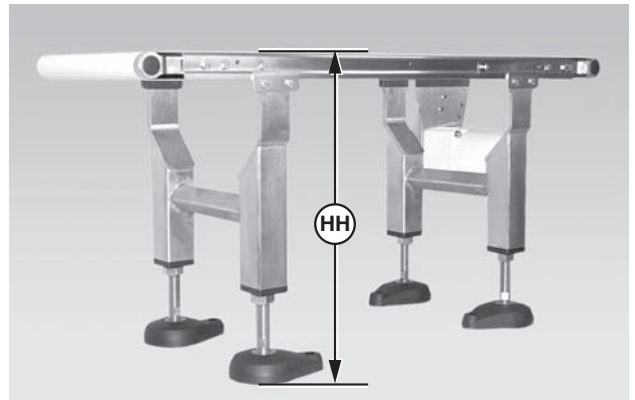


Figure 2

Installation


Required Tools

- Wrenches: 10 mm, 13 mm, 17 mm, 30 mm (for hex head cap screws)
- Level
- Torque wrench

Recommended Installation Sequence

1. Attach the stand(s) to the conveyor.
2. Attach the diagonal bracing, if applicable.
3. Adjust the stand height and level.

Stand Attachment to the Conveyor

⚠ WARNING

SEVERE HAZARD! LOCK OUT POWER before removing guards or performing maintenance. Exposed moving parts can cause serious injury.
NOTE
<i>Proper conveyor application, cleaning, and sanitation are the responsibility of the end user.</i>

Direct Mount Stands (DS Type) for 7200 and 7300 Series

1. Properly support the conveyor or place the conveyor upside down on a flat surface.
2. Loosen the M6 clamp plate screws (Figure 3, item 1) on each side of the stand (Figure 3, item 2).

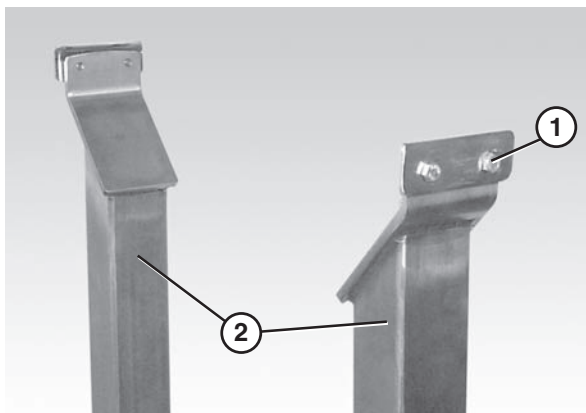


Figure 3

CAUTION
Make sure the conveyor (Figure 4, item 1) is seated between the clamp plate (Figure 4, item 2) and the lip (Figure 4, item 3) at the top of the stand (Figure 4, item 4) before tightening the clamp plate screws (Figure 4, item 5).

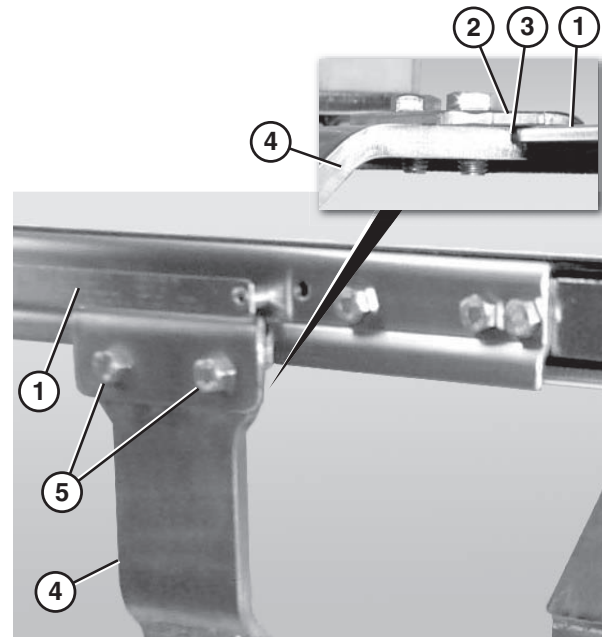


Figure 4

⚠ WARNING
↓ 
CRUSH HAZARD!
<ul style="list-style-type: none"> • MAKE SURE TO SECURE ALL STAND SCREWS. • Failure to do so may cause conveyor sections to drop down, causing serious injury.

3. Attach the stand (Figure 4, item 4) to the conveyor (Figure 4, item 1) and tighten the four screws (Figure 4, item 5) to 80 in•lb (9 N•m).
4. Repeat steps 2 and 3 for the other stands.
5. Adjust the stand height. Refer to “Stand Height Adjustment” on page 12.

Pivot Mount Stands (DP and AM Types)

1. Properly support the conveyor or place the conveyor upside down on a flat surface.
2. For slotted brackets, loosen the two bracket screws (**Figure 5, item 1**) and adjust the bracket (**Figure 5, item 2**) so that the top is at approximately the same angle as the conveyor. Do not tighten the screws.

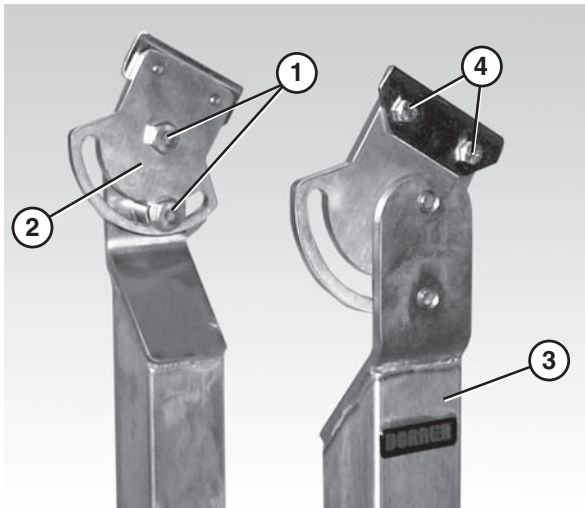


Figure 5

7200 and 7300 Series

3. Loosen the two M6 clamp plate screws (**Figure 5, item 4**) on each side of the stand (**Figure 5, item 3**).

CAUTION
<p>Make sure the conveyor (Figure 6, item 1) is seated between the clamp plate (Figure 6, item 2) and the lip (Figure 6, item 3) at the top of the stand (Figure 6, item 4) before tightening the clamp plate screws (Figure 6, item 5).</p>

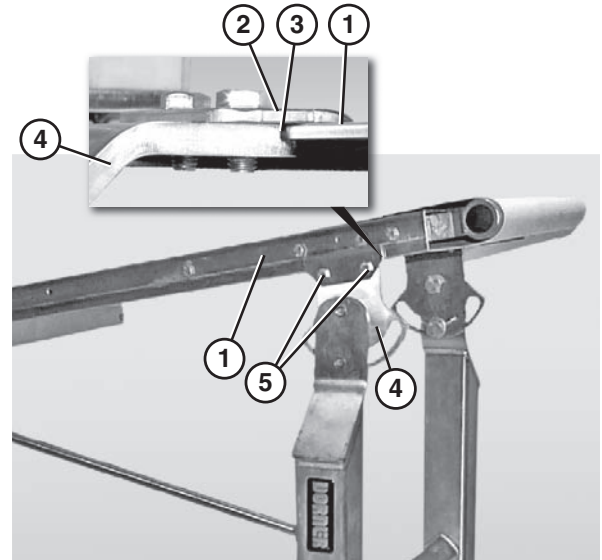


Figure 6

4. Attach the bracket (**Figure 6, item 4**) to the conveyor (**Figure 6, item 1**) and tighten the four screws (**Figure 6, item 5**) to 80 in•lb (9 N•m).

⚠ WARNING
<p>CRUSH HAZARD!</p> <ul style="list-style-type: none"> • MAKE SURE TO SECURE ALL STAND SCREWS. • Failure to do so may cause conveyor sections to drop down, causing serious injury.

5. Adjust the bracket angle on the slotted brackets (**Figure 5, item 2**) to match the conveyor angle and tighten the screws (**Figure 5, item 1**) to 50 ft•lb (72 N•m).
6. Repeat steps 2 and 4 for the other stands.
7. Adjust the stand height. Refer to “Stand Height Adjustment” on page 12.

Installation

7350, 7360, 7400 and 7600 Series

- Position the stand so that the holes in the brackets line up with the appropriate holes in the conveyor frame.
- Attach the bracket (**Figure 7, item 1**) to the conveyor (**Figure 7, item 2**) using four M10-1.5 x 12 mm hex head cap screws (**Figure 7, item 3**).

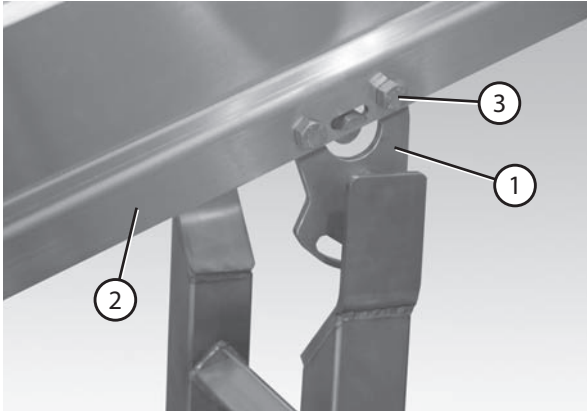


Figure 7

- Tighten the four M10 screws (**Figure 7, item 3**) to 80 in•lb (9 N•m).

 WARNING

CRUSH HAZARD!
<ul style="list-style-type: none">• MAKE SURE TO SECURE ALL STAND SCREWS.• Failure to do so may cause conveyor sections to drop down, causing serious injury.

- Adjust the bracket angle on the slotted brackets (**Figure 7, item 1**) to match the conveyor angle and tighten the screws to 50 ft•lb (72 N•m).
- Repeat steps 2 and 4 for the other stands.
- Adjust the stand height. Refer to “Stand Height Adjustment” on page 12.

Pivot Mount Stand (MS Type) Connected to Heavy Load Drive Mount for 7200 and 7300 Series

- Properly support the conveyor.
- For slotted brackets, loosen the two bracket screws (**Figure 8, item 1**) and adjust the bracket (**Figure 8, item 2**) so that the top is at approximately the same angle as the conveyor. Do not tighten the screws.

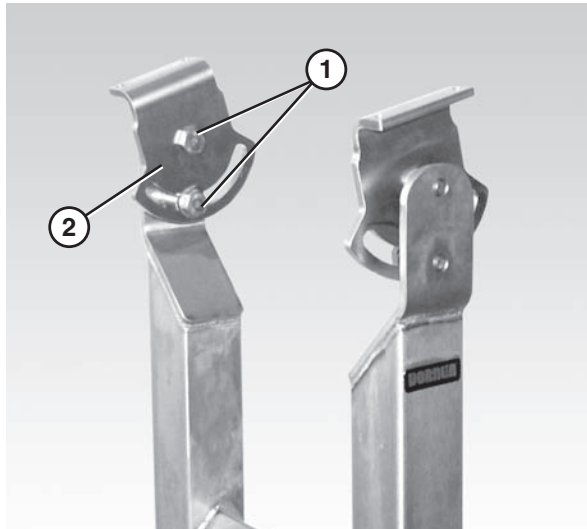


Figure 8

- Attach both brackets (**Figure 9, item 1**) to the heavy mount gearhead support bars (**Figure 9, item 2**) using four M6 - 1.0 x 20 mm hex head cap screws (**Figure 9, item 3**).

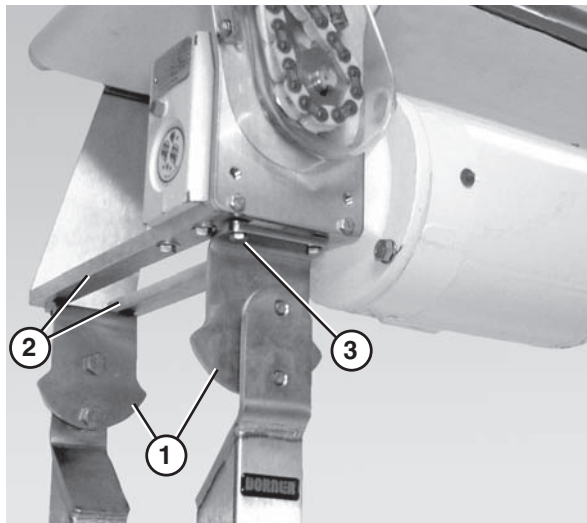


Figure 9

- Tighten the heavy mount gearhead support bar screws (**Figure 9, item 3**) to 80 in•lb (9 N•m).
- Tighten both bracket (**Figure 9, item 1**) screws to 50 ft•lb (72 N•m).

⚠ WARNING

<p style="text-align: center;">CRUSH HAZARD!</p> <ul style="list-style-type: none"> • MAKE SURE TO SECURE ALL STAND SCREWS. • Failure to do so may cause conveyor sections to drop down, causing serious injury.

⚠ WARNING

<p style="text-align: center;">CRUSH HAZARD!</p> <ul style="list-style-type: none"> • MAKE SURE TO SECURE ALL STAND SCREWS. • Failure to do so may cause conveyor sections to drop down, causing serious injury.

6. Adjust the stand height. Refer to “Stand Height Adjustment” on page 12.

Horizontal and Bracket Mount Stands (HM and BM Types) for 7350, 7360, 7400 and 7600 Series

1. Properly support the conveyor or place the conveyor upside down on a flat surface.
2. Attach the stand (Figure 10, item 1) to the conveyor (Figure 10, item 2) using four M10-1.5 x 12 mm hex head cap screws (Figure 10, item 3).

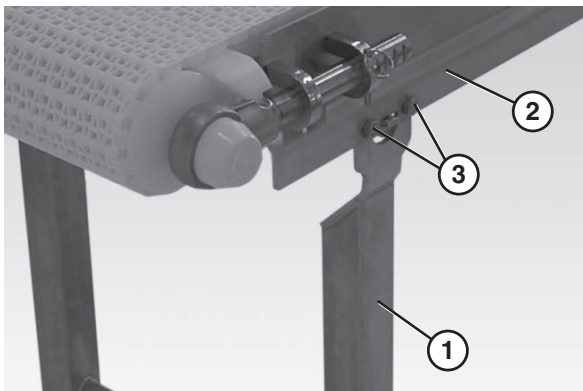


Figure 10

3. Tighten the stand screws (Figure 10, item 3) to 80 in•lb (9 N•m).
4. Adjust the stand height. Refer to “Stand Height Adjustment” on page 12.

Ultimate Stands for 7400 and 7600 Series

1. Properly support the conveyor or place the conveyor upside down on a flat surface.
2. Attach the stand (Figure 11, item 1) to the conveyor’s welded standoffs (Figure 11, item 2) using four M10-1.5 x 16 mm hex head cap screws (Figure 11, item 3).

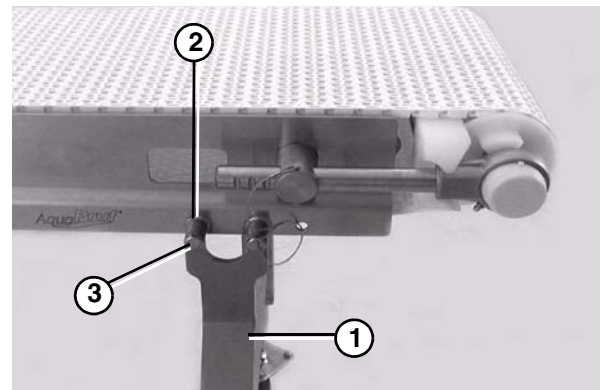


Figure 11

3. Tighten the stand screws (Figure 11, item 3) to 80 in•lb (9 N•m).
4. Adjust the stand height. Refer to “Stand Height Adjustment” on page 12.

NOTE

Caulk joints between stand plate and conveyor for USDA governed applications.

Installation

Quick Release Stands (QR Type) for 7350, 7360, 7400 and 7600 Series

1. Properly support the conveyor.
2. Attach the non-quick release side of the stand (**Figure 12, item 1**) to the MOTOR SIDE of the conveyor (**Figure 12, item 2**) using two M10-1.5 x 12 mm hex head cap screws (**Figure 12, item 3**).

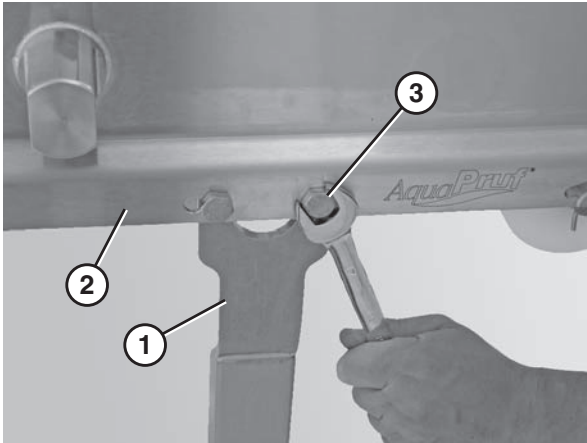


Figure 12

3. Tighten the screws (**Figure 12, item 3**) to 80 in•lb (9 N•m).
4. Loosen the inside knob (**Figure 13, item 1**) on the quick release side of the stand.

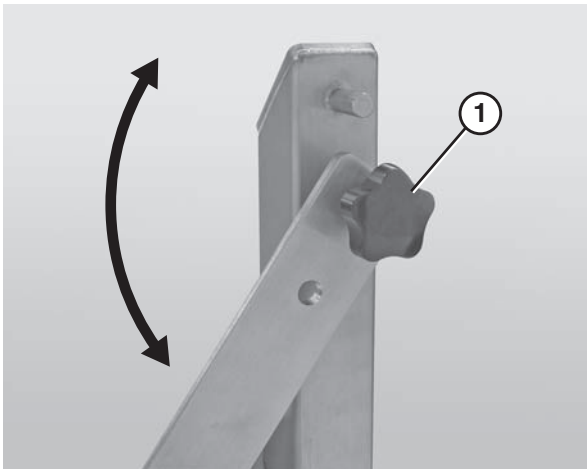


Figure 13

5. Rotate the bracket arm (**Figure 14, item 1**) so that the locking pin on the stand (**Figure 14, item 2**) and the locking pin on the frame (**Figure 14, item 3**) are positioned securely within the holes.

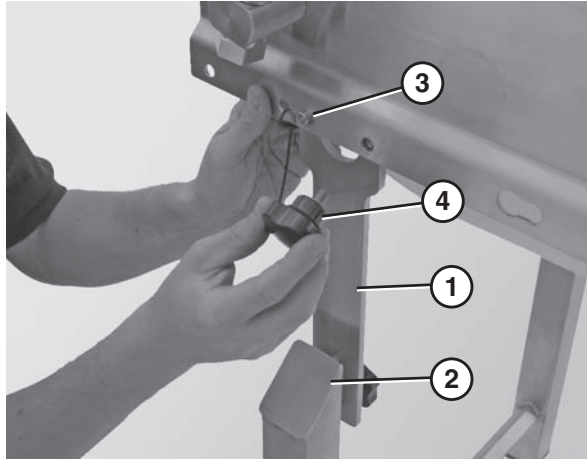
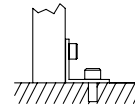


Figure 14

6. Secure the bracket arm to the stand by attaching the cutoff knob (**Figure 14, item 4**).
7. Tighten both knobs.

⚠ DANGER



SEVERE INJURY!

- **SUPPORTS MARKED WITH THIS SYMBOL MUST BE ANCHORED TO THE FLOOR.**
- **Supports not anchored to the floor will tip, causing serious injury or death.**

⚠ WARNING



CRUSH HAZARD!

- **MAKE SURE TO SECURE ALL STAND SCREWS.**
- **Failure to do so may cause conveyor sections to drop down, causing serious injury.**

Diagonal Brace Attachment for 7200 and 7300 Series

1. Install the lower brace (**Figure 15, item 1**) of the diagonal brace (**Figure 15, item 2**) on the stud (**Figure 15, item 3**) and secure it with an M8 acorn nut (**Figure 15, item 4**).

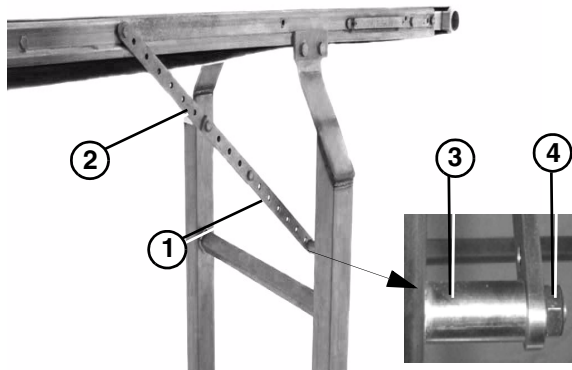


Figure 15

2. Attach other end of diagonal brace to tapped hole in side of conveyor frame (**Figure 16, item 1**). Adjust diagonal brace length using series of holes as required (**Figure 16, item 2**).

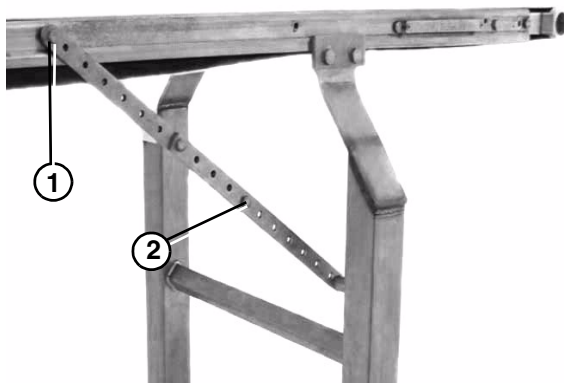


Figure 16

3. Tighten the M6 screw (**Figure 16, item 1**) to 80 in•lb (9 N•m).

Diagonal Brace Attachment for 7350, 7360, 7400 and 7600 Series

1. Attach the bracing bar (**Figure 17, item 1**) to the stand and secure it with an M10 acorn nut (**Figure 17, item 2**).

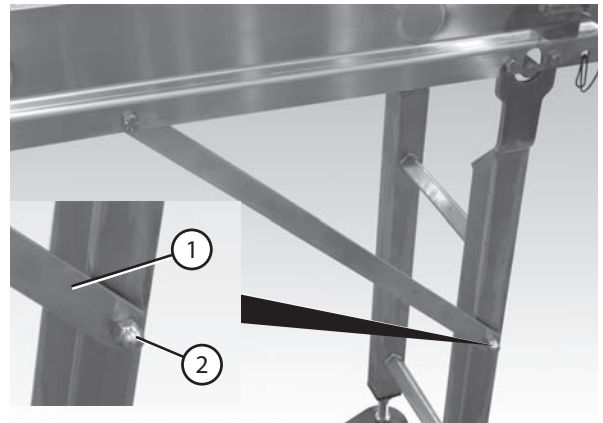


Figure 17

2. Attach the opposite end of the bracing bar (**Figure 18, item 1**) to the conveyor with an M10 screw (**Figure 18, item 2**).

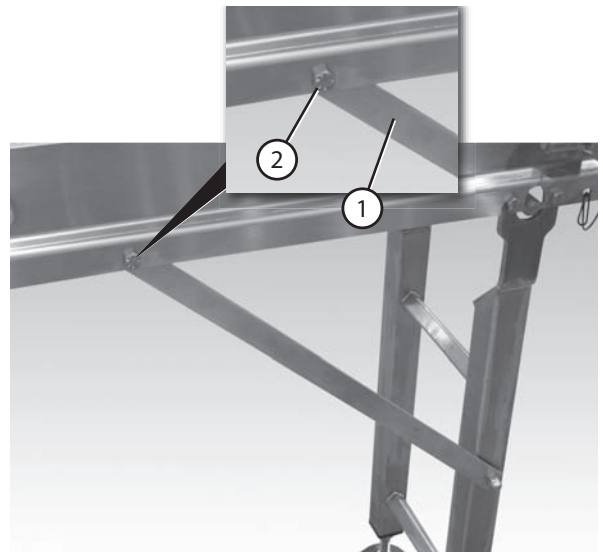


Figure 18

3. Tighten the screw and the acorn nut to 80 in•lb (9 N•m).

Preventative Maintenance and Adjustment

Stand Height Adjustment

Required Tools

- 30 mm wrench
- 0 – 1-1/4" span adjustable wrench (stands with feet)
- Adjustable wrenches (stands with casters)
- Level

NOTE

Proper conveyor application, cleaning, and sanitation are the responsibility of the end user.

Stands with Feet

⚠ WARNING



SEVERE HAZARD!

LOCK OUT POWER before removing guards or performing maintenance. Exposed moving parts can cause serious injury.

1. Loosen the nut (**Figure 19, item 1**) on the foot stem (**Figure 19, item 2**).

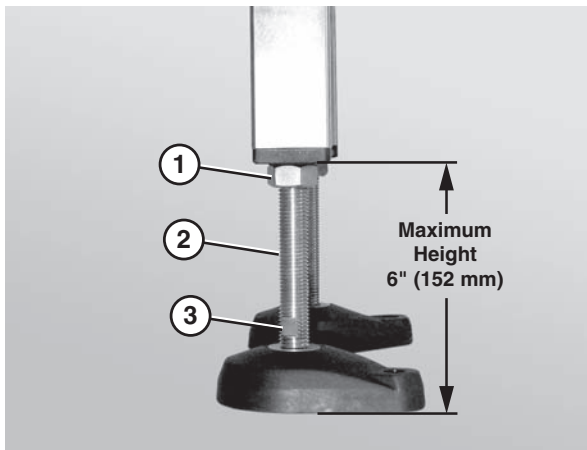


Figure 19

⚠ WARNING



SEVERE HAZARD!

- **DO NOT EXCEED THE MAXIMUM HEIGHT OF 6" (152 mm) from the floor to the bottom of the stand.**
- **Exceeding the maximum height will allow parts to separate and may cause serious injury.**

2. Rotate the foot stem using an adjustable wrench on the foot stem flats (**Figure 19, item 3**) to raise or lower the stand to the desired height.
3. Repeat steps 1 and 2 on the opposite stand leg.
4. Use a level (**Figure 20, item 1**) to verify that both stand legs are the same height.

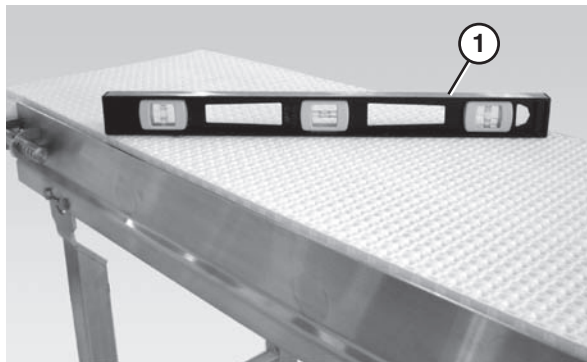


Figure 20

5. Tighten the nut (**Figure 19, item 1**) on the foot stem (**Figure 19, item 2**) to secure each foot assembly.

Preventative Maintenance and Adjustment

Stands with Casters

 WARNING

SEVERE HAZARD! LOCK OUT POWER before removing guards or performing maintenance. Exposed moving parts can cause serious injury.

1. Loosen the upper nut (Figure 21, item 1) on the caster stem (Figure 21, item 2).

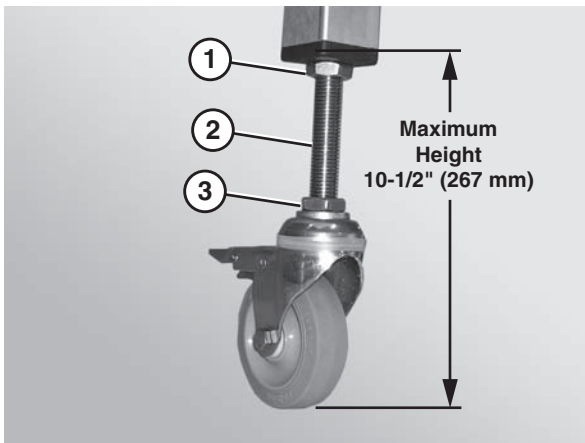


Figure 21

 WARNING

SEVERE HAZARD! <ul style="list-style-type: none">• DO NOT EXCEED THE MAXIMUM HEIGHT OF 10-1/2" (267 mm) from the floor to the bottom of the stand.• Exceeding the maximum height will allow parts to separate and may cause serious injury.

2. Rotate the lower nut (Figure 21, item 3) on the caster stem (Figure 21, item 2) to raise or lower the stand to the desired height.
3. Repeat steps 1 and 2 on the opposite stand leg.
4. Use a level (Figure 22, item 1) to verify that both stand legs are the same height.

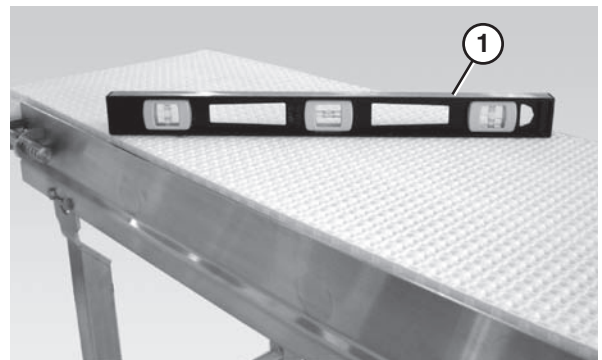


Figure 22

5. Tighten the nut on the caster stem to secure each caster assembly.

Preventative Maintenance and Adjustment

Ultimate Stands with Feet

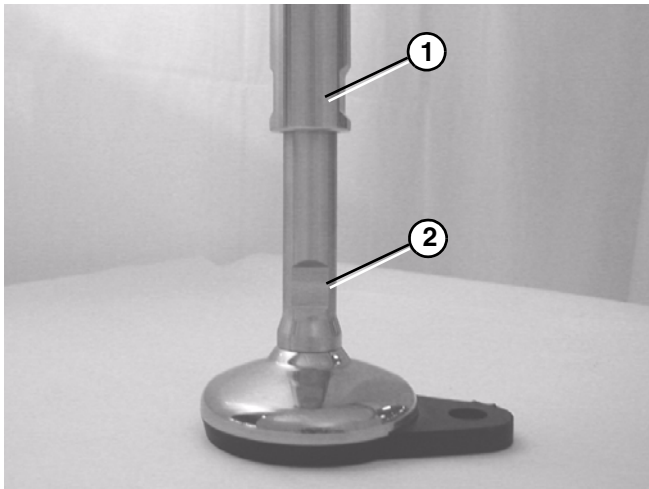


Figure 23

1. Loosen nut/thread cover on foot stem (**Figure 23, item 1**).
2. Rotate the foot stem using an adjustable wrench on the foot stem flats (**Figure 23, item 2**) to raise or lower the stand to the desired height.
3. Repeat steps 1 and 2 on the opposite leg stand.
4. Use a level (**Figure 24, item 1**) to verify that both stand legs are the same height.

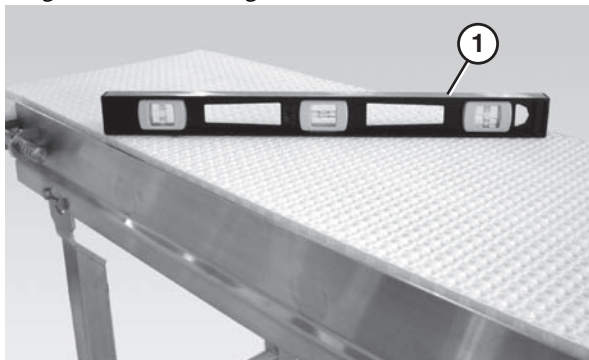


Figure 24

5. Tighten the nut on the foot to secure each caster assembly.

NOTE

Weld nut in place to seal stand tube for USDA governed applications.

Ultimate Stands with Casters

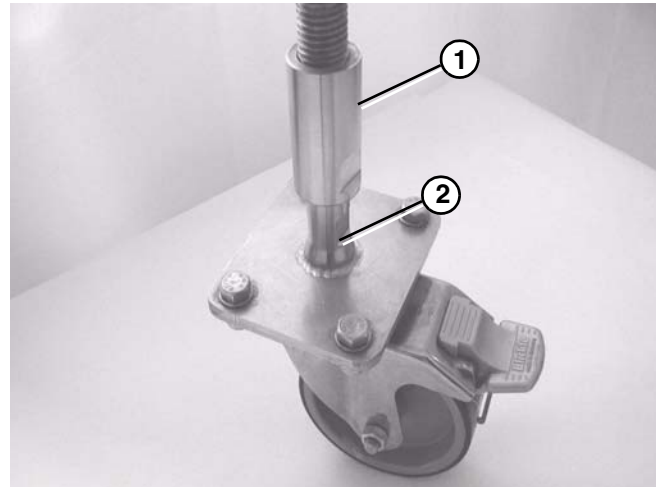


Figure 25

1. Loosen nut/thread cover on caster stem (**Figure 25, item 1**).
2. Rotate the caster stem using an adjustable wrench on the caster stem flats (**Figure 25, item 2**) to raise or lower the stand to the desired height.
3. Repeat steps 1 and 2 on the opposite leg stand.
4. Use a level (**Figure 26, item 1**) to verify that both stand legs are the same height.

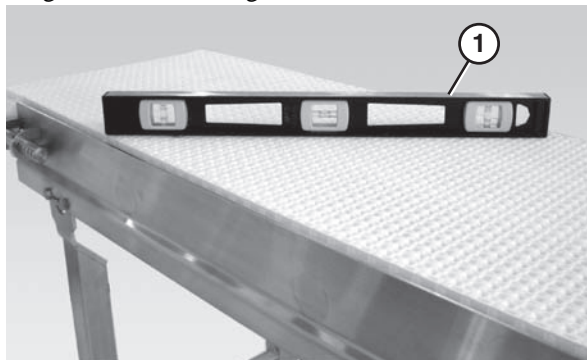


Figure 26

5. Tighten the nut on the caster to secure each caster assembly.

NOTE

Weld nut in place to seal stand tube for USDA governed applications.

Preventative Maintenance and Adjustment

Quick Release Stand - Pivoting / Disconnect

⚠ WARNING

SEVERE HAZARD! LOCK OUT POWER before removing guards or performing maintenance. Exposed moving parts can cause serious injury.

⚠ WARNING

SEVERE HAZARD!
<ul style="list-style-type: none"> • ONLY DISCONNECT ONE PIVOT BRACKET AT A TIME AND ONLY IF THE STANDS ARE BOLTED TO THE FLOOR. • Disconnecting more than one pivot bracket at a time or not bolting the stands to the floor can cause the conveyor to tip and may result in serious injury.

1. Disconnect the cutoff knob (Figure 27, item 1).

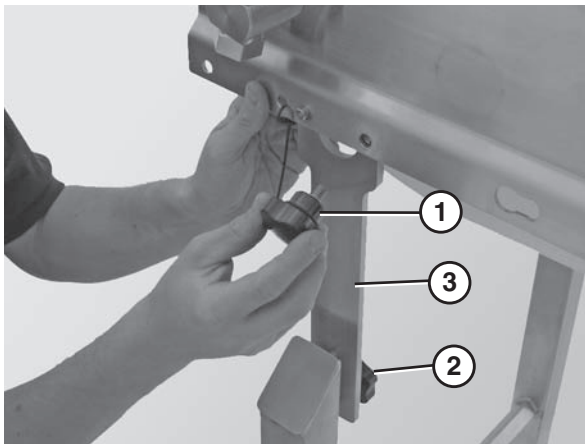


Figure 27

2. Loosen the lobed knob (Figure 27, item 2) and push in on the pivot bracket (Figure 27, item 3). *Note: The lobed knob will need to be loose enough that the locking pins are no longer holding the bracket in place.*
3. Lower the pivot bracket (Figure 28, item 1).

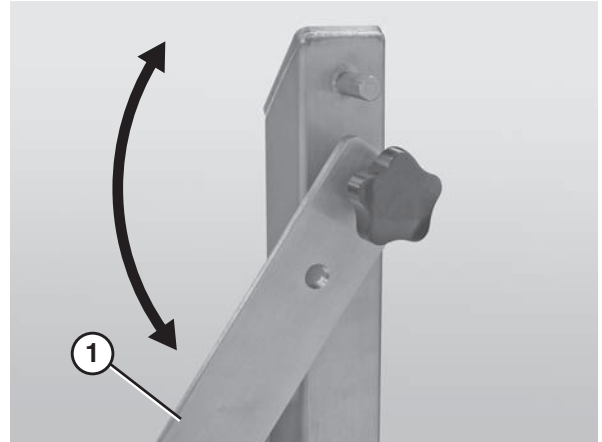


Figure 28

Conveyor Angle Adjustment

NOTE
<i>This procedure only applies to stands with slotted brackets.</i>

Required Tools

- 10 and 17 mm wrenches (for hexagonal head screws)
- Torque wrench

⚠ WARNING

SEVERE HAZARD! LOCK OUT POWER before removing guards or performing maintenance. Exposed moving parts can cause serious injury.

⚠ WARNING

CRUSH HAZARD!
<ul style="list-style-type: none"> • SUPPORT CONVEYOR SECTIONS PRIOR TO LOOSENING STAND HEIGHT OR ANGLE ADJUSTMENT SCREWS. • Loosening stand height or angle adjustment screws may cause conveyor sections to drop down, causing serious injury.

Preventative Maintenance and Adjustment

1. Remove upper brace screw (**Figure 29, item 1**) from the side of the frame.



Figure 29


2. Loosen the bracket screws (**Figure 29, item 3**) on both sides of the stand.
3. Adjust the conveyor to the desired length and the stands to the desired angle.
4. Adjust length of diagonal brace using series of holes in brace (**Figure 29, item 2**).
5. Attach upper brace to closet frame hole. Move stand along length of frame to fit brace length.

 WARNING

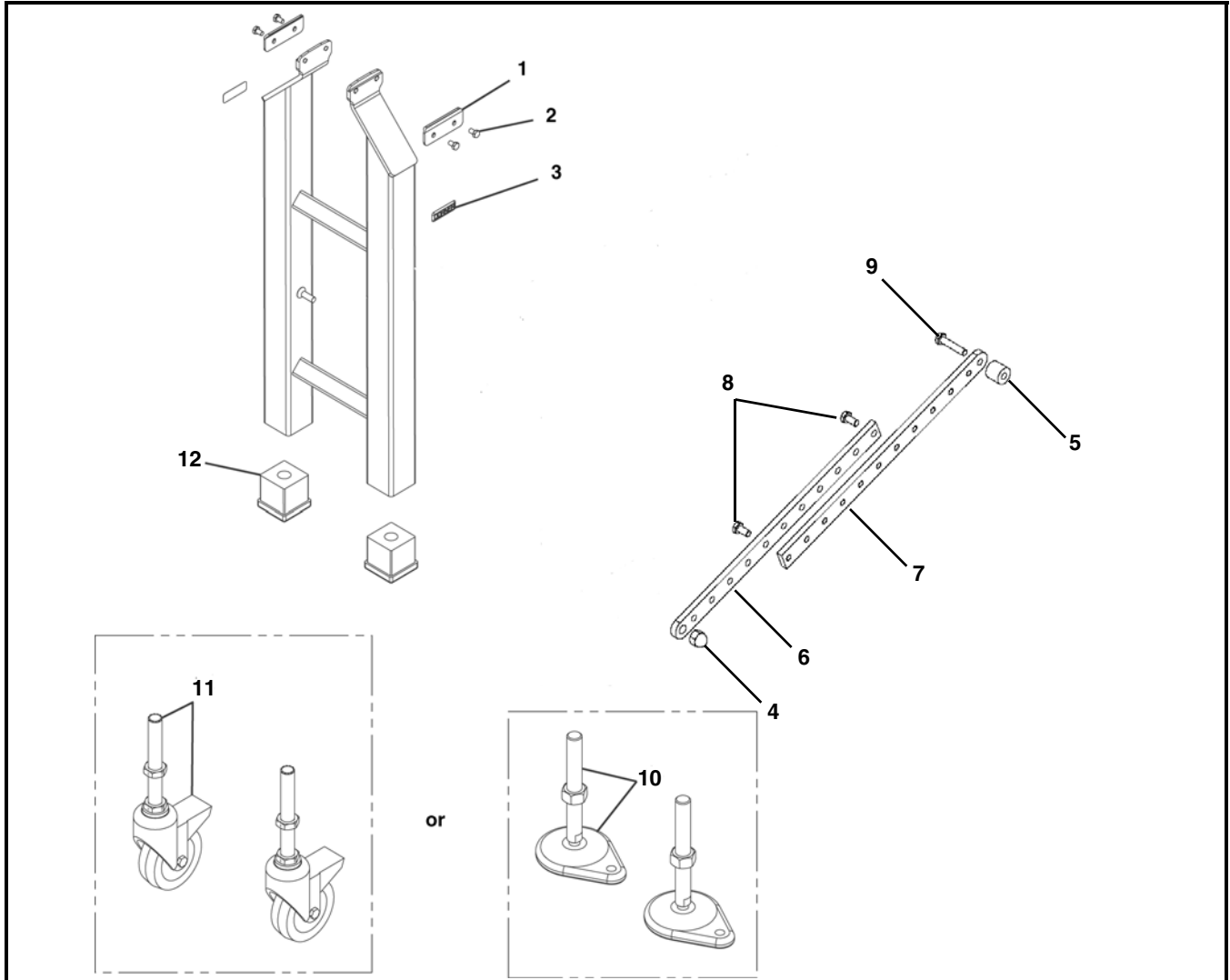
CRUSH HAZARD! <ul style="list-style-type: none">• MAKE SURE TO SECURE ALL STAND SCREWS.• Failure to do so may cause conveyor sections to drop down, causing serious injury.

6. Tighten the bracket screws (**Figure 29, item 3**) to 50 ft•lb (72 N•m).
7. Tighten the screws on the diagonal brace, if applicable, to 80 in•lb (9 N•m).

NOTE

For replacement parts other than those shown in this section, contact an authorized Dorner Service Center or the factory. Key Service Parts and Kits are identified by the Performance Parts Kits logo . Dorner recommends keeping these parts on hand.

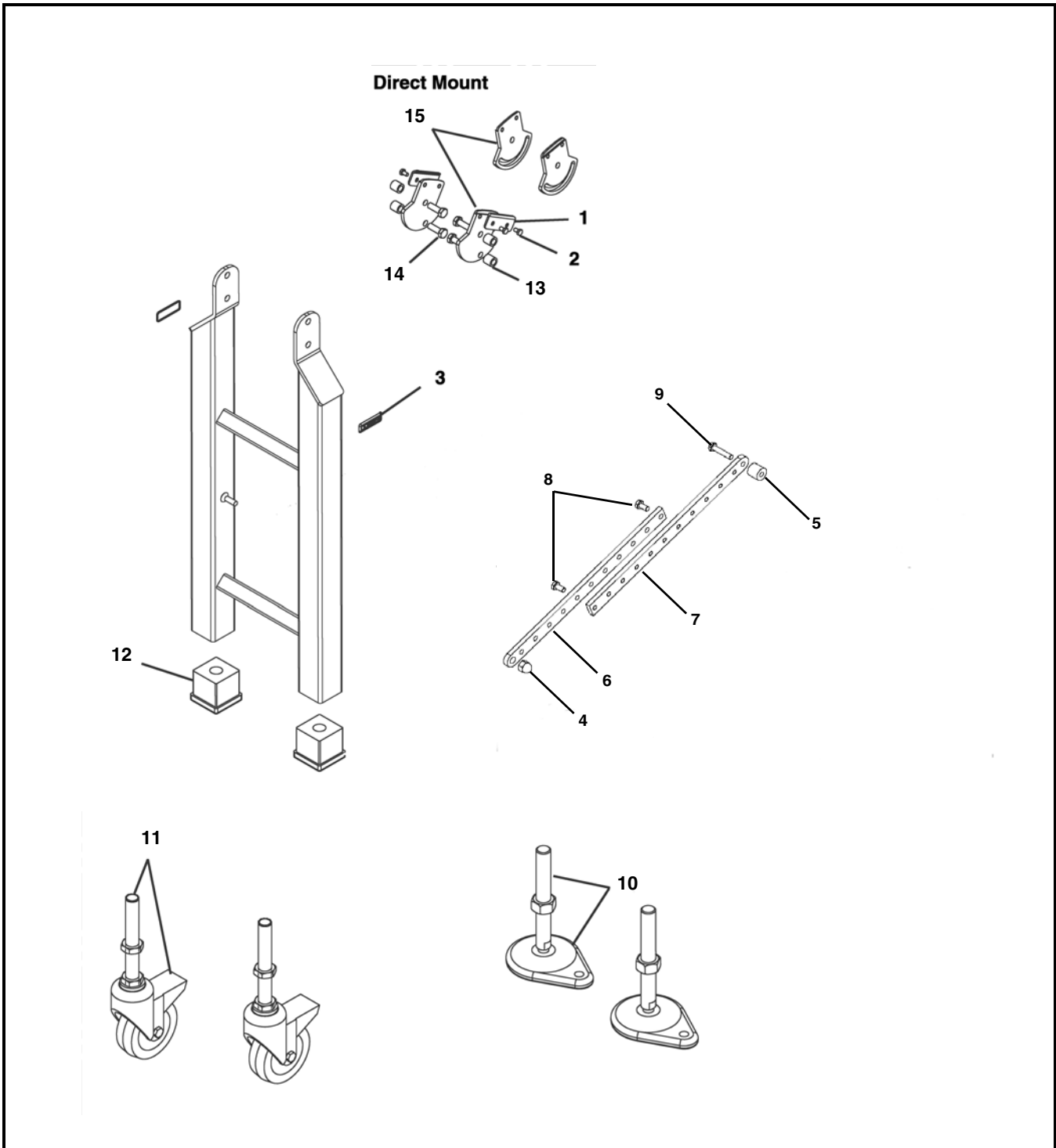
Direct Mount Sanitary Support Stand (Type DS)



Item	Part Number	Description
1	458316	Clamp Plate (x2)
2	960816MSS	Hex Head Cap Screw M6-1.0 x 10 mm (x4)
3	240339	Dorner Nameplate (x2)
4	990808MSS	Acorn Nut M8-1.25
5	911-527	Washer
6	458322	Lower Diagonal Brace
7	458323	Upper Diagonal Brace
8	960612MSS	Hex Head Cap Screw M6-1.00 x 12 mm
9	960616MSS	Hex Head Cap Screw M6-1.00 x 16 mm
10	807-1321	Teardrop Foot Assembly (x2)
11	458309	Caster Assembly (x2)
12	807-1304	Threaded Tube End (x2)

Service Parts

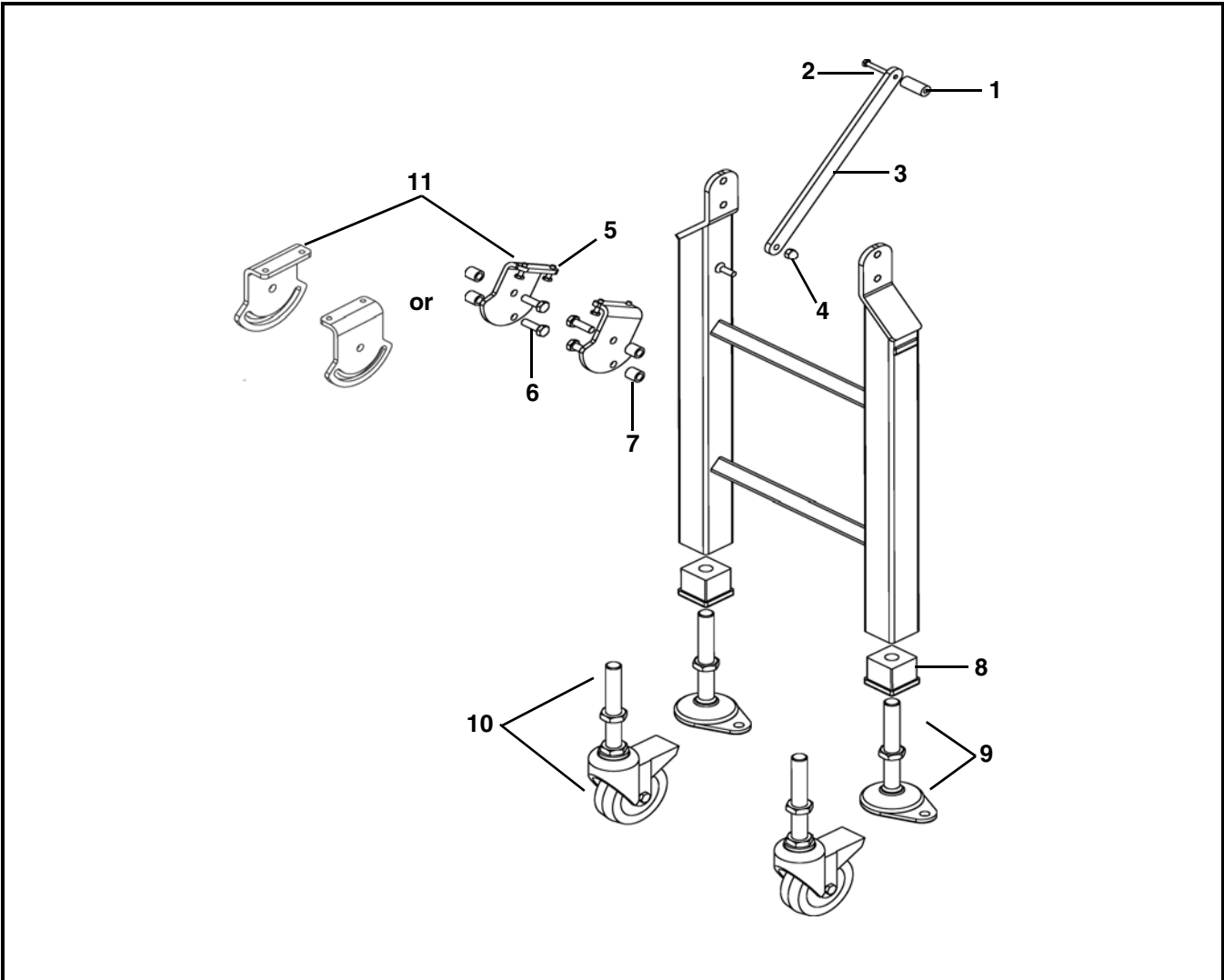
Pivot Mount Sanitary Support Stand (Type DP)



Item	Part Number	Description
1	458316	Clamp Plate (x2)
2	960816MSS	Hex Head Cap Screw M6-1.00 x 10 mm (x4)
3	240339	Dorner Nameplate (x2)
4	990808MSS	Acorn Nut M8-1.25
5	911-527	Washer
6	458322	Lower Diagonal Brace
7	458323	Upper Diagonal Brace
8	960612MSS	Hex Head Cap Screw M6-1.00 x 12 mm
9	960616MSS	Hex Head Cap Screw M6-1.00 x 16 mm
10	807-1321	Teardrop Foot Assembly (x2)
11	458309	Caster Assembly (x2)
12	807-1304	Threaded Tube End (x2)
13	458311	Post - 2" (51mm) and 3" (76 mm)
	458310	Post - 4" (102 mm) through 18" (457 mm)
14	961045MSS	Hex Head Cap Screw, M10 x 1.5 x 45 mm - 2" (51 mm) and 3" (76 mm)
	961030MSS	Hex Head Cap Screw, M10 x 1.5 x 30 mm - 4" (102 mm) and 18" (457 mm)
15	458312RAA*	Fixed Angle, Direct Mount Pivot Bracket LH
	458312LAA*	Fixed Angle, Direct Mount Pivot Bracket RH
	450527**	Direct Mount Slotted Pivot Bracket
* AA = Angle 00 through 60 degrees in 01 degree increments		
**Bracket slot provides mounting from 0 through 60 degrees		

Service Parts

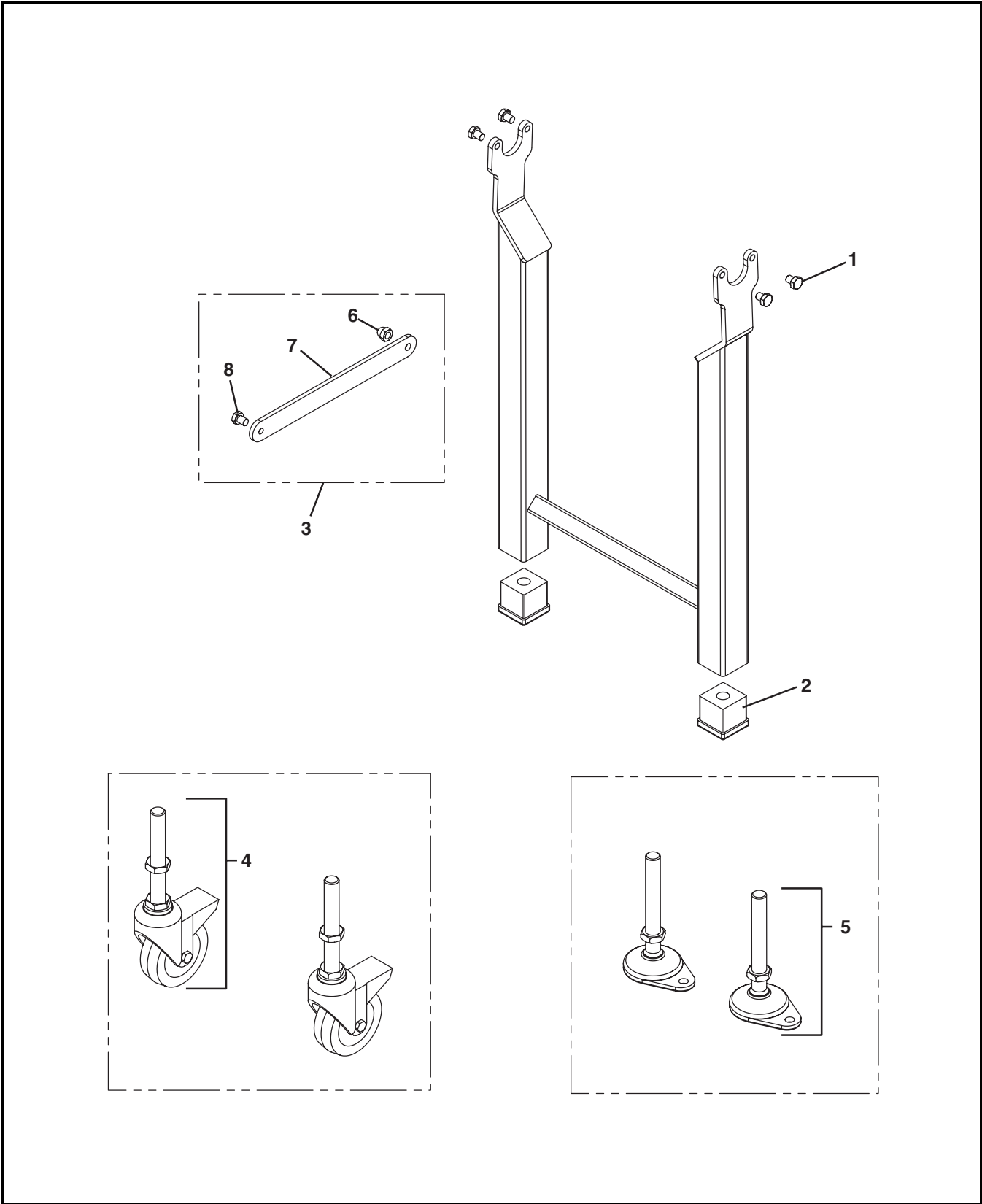
Motor Mount Stand (Type MS)



Item	Part Number	Description
1	458327	Diagonal Brace Mounting Spacer 3" (x2)
	458328	Diagonal Brace Mounting Spacer 8" (x4)
	960660MSS	Diagonal Brace Mounting Bolt 3" (x2)
	960650MSS	Diagonal Brace Mounting Bolt 8" (x4)
2	960650MSS	Hex Head Cap Screw M6-1.00 x 50 mm
3	458326-LLLLL	Diagonal Bar Brace
4	990808MSS	Hex Nut M8-1.25
5	960620MSS	Hex Head Cap Screw M6-1.00 x 20 mm (x4)
6	961045MSS	Hex Head Cap Screw M10-1.50xLLMM 2" and 3" (x4)
	961030MSS	Hex Head Cap Screw M10-1.50xLLMM 4" through 8" (x4)
7	458311	Stand Post 2" and 3"
	458310	Stand Post 4" through 8"
8	807-1304	Threaded Tube End (x2)
9	807-1321	Teardrop Foot Assembly (x2)
10	458309	Caster Assembly (x2)
11	458307LAA*	Fixed Angle, Heavy Load Drive Mount Bracket LH
	458307RAA*	Fixed Angle, Heavy Load Drive Mount Bracket RH
	450526**	Heavy Load Drive Mount Slotted Bracket
* AA = Angle 00 through 60 degrees in 01 degree increments		
**Bracket slot provides mounting from 0 through 60 degrees		
LLLLL = Bracing bar length in inches with two decimal places		
Example: Bracing bar length = 21.75" LLLLL = 02175		
LLL Length Formula		
$LLL = \frac{LLLLL}{100} - 125$		
with one decimal place		
Example: $LLL = \frac{02175}{100} - 125 = 20.5$		
$LLL = 205$		

Service Parts

Horizontal Mount Sanitary Support Stand (Type HM)



Service Parts

Item	Part Number	Description
1	961012MSS	Hex Head Cap Screw M10-1.5 x 12 mm
2	807-1304	Threaded End Tube
3	39MB- <u>LLL</u>	Bracing Assembly (Includes Items 6 through 8)
4	458309	Caster Assembly (x2)
5	807-1321	Teardrop Foot Assembly (x2)
6	991008MSS	Acorn Nut M10-1.50
7	500287- <u>LLLLL</u>	Bracing Bar
8	961012MSS	Hex Head Cap Screw M10-1.5 x 12 mm
<u>LLLLL</u> = Bracing bar length in inches with two decimal places		
Example: Bracing bar length = 21.75" <u>LLLLL</u> = 02175		

LLL Length Formula

$$\underline{LLL} = \underline{LLLLL} - 125$$

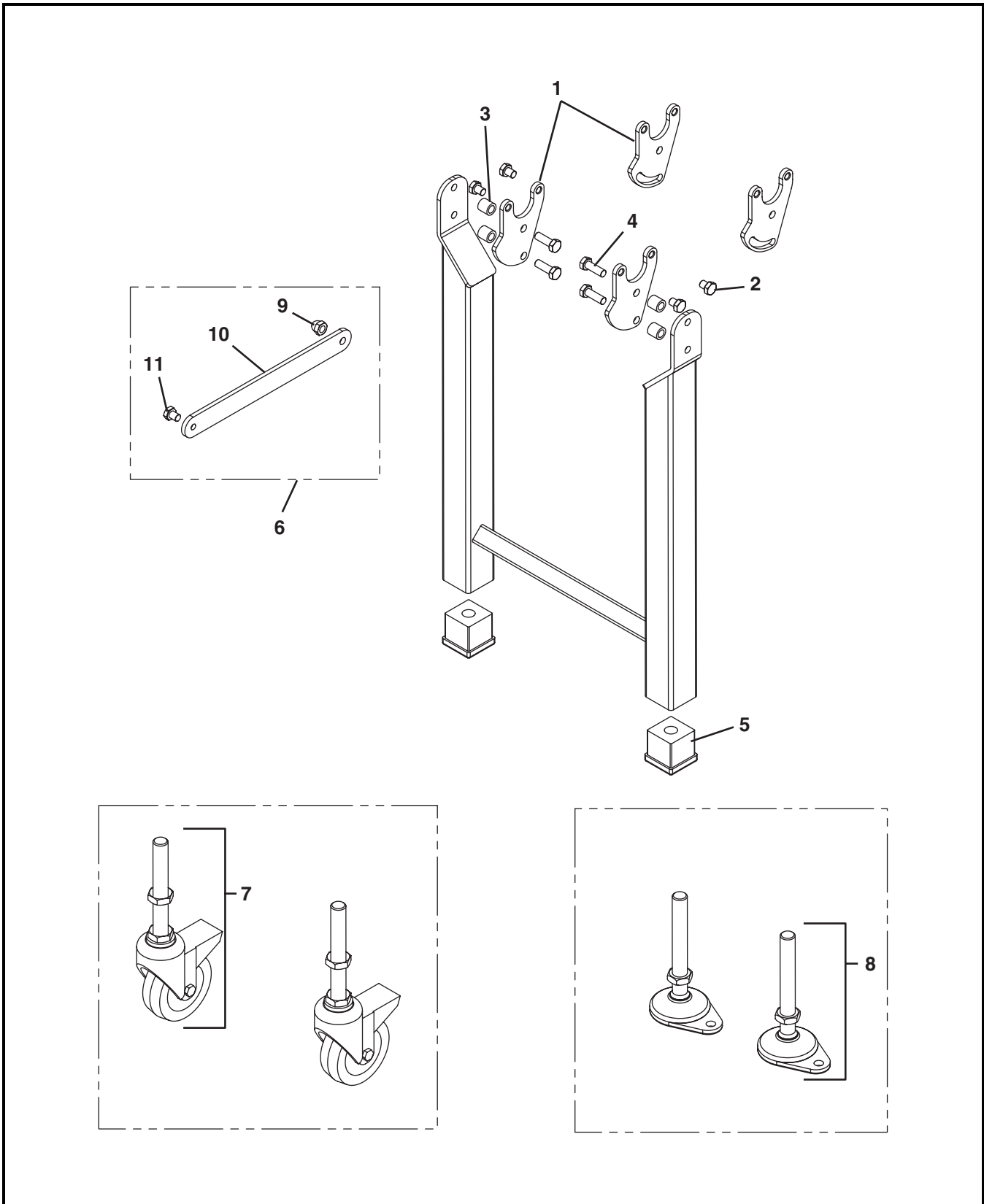
$$100$$
with one decimal place
Example: $\underline{LLL} = 02175 - 125 = 20.5$

$$100$$

$$\underline{LLL} = 205$$

Service Parts

Incline Mount Sanitary Support Stand (Type AM)



Service Parts

Item	Part Number	Description
1	500276-AA	Pivot Mount Plate
	500276-ST	Slotted Pivot Mount Plate
2	961012MSS	Hex Head Cap Screw M10-1.5x12 mm
3	458310	Stand Post Standoff
4	961030MSS	Hex Head Cap Screw M10-1.5 x 30 mm
5	807-1304	Threaded End Tube (x2)
6	39MB-LLL	Bracing Assembly (Includes Items 9 through 11)
7	458309	Caster Assembly (x2)
8	807-1321	Teardrop Foot Assembly (x2)
9	991008MSS	Acorn Nut M10-1.50
10	500287-LLLLL	Bracing Bar
11	961012MSS	Hex Head Cap Screw M10-1.5 x 12 mm
AA = Angle 00 through 60 in 01 degree increments		
LLLLL = Bracing bar length in inches with two decimal places		
Example: Bracing bar length = 21.75" LLLLL = 02175		

LLL Length Formula

$$LLL = \frac{LLLLL}{100} - 125$$

$$100$$

with one decimal place

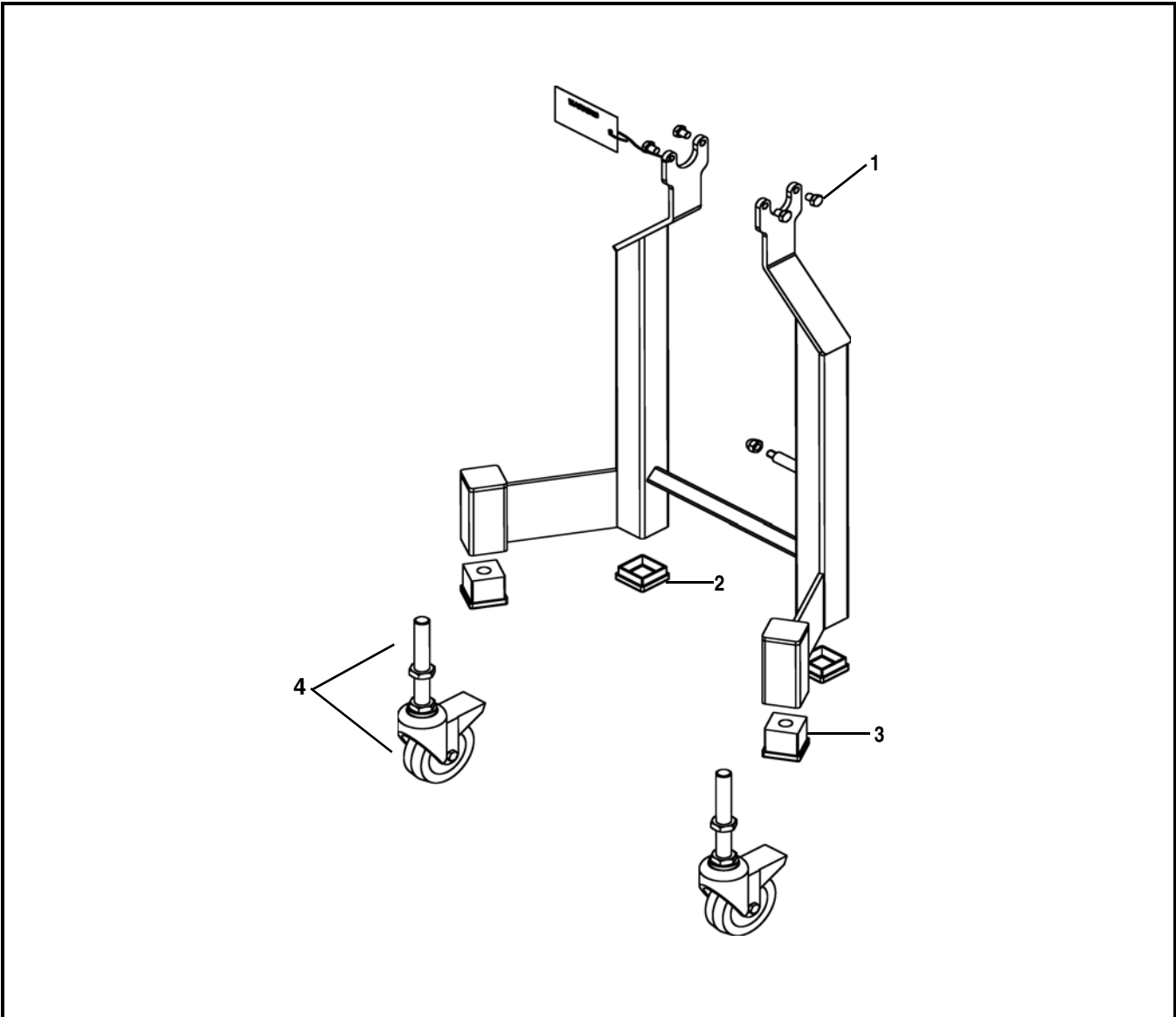
Example: $LLL = \frac{02175}{100} - 125 = 20.5$

$$100$$

$$LLL = 205$$

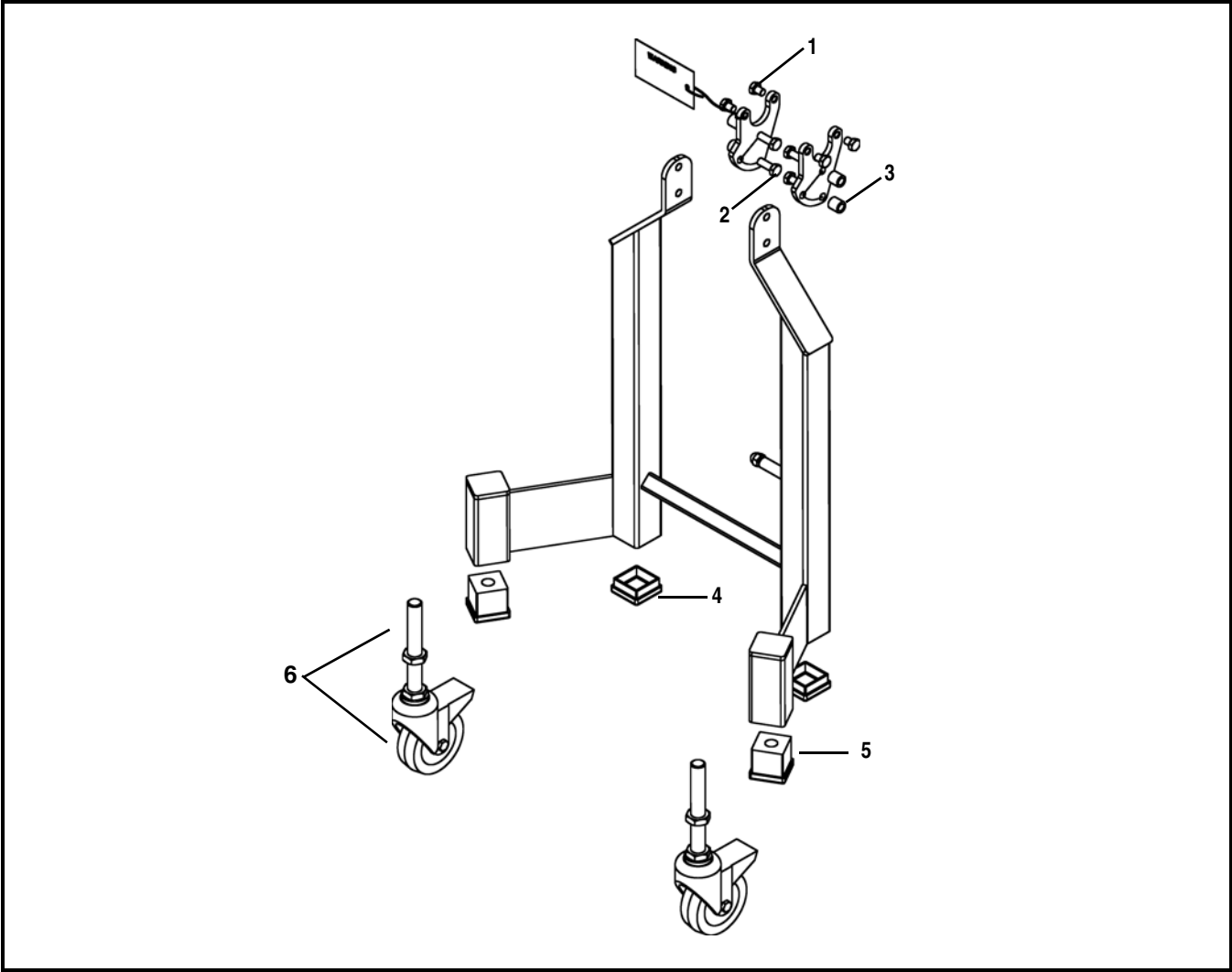
Service Parts

Horizontal Outrigger Stand



Item	Part Number	Description
1	961012MSS	Hex Head Cap Screw M10-1.50 x 12 mm (x4)
2	807-1596	Tube End Plug (x2)
3	807-1304	Threaded Tube End (x2)
4	458309	Caster Assembly (x2)

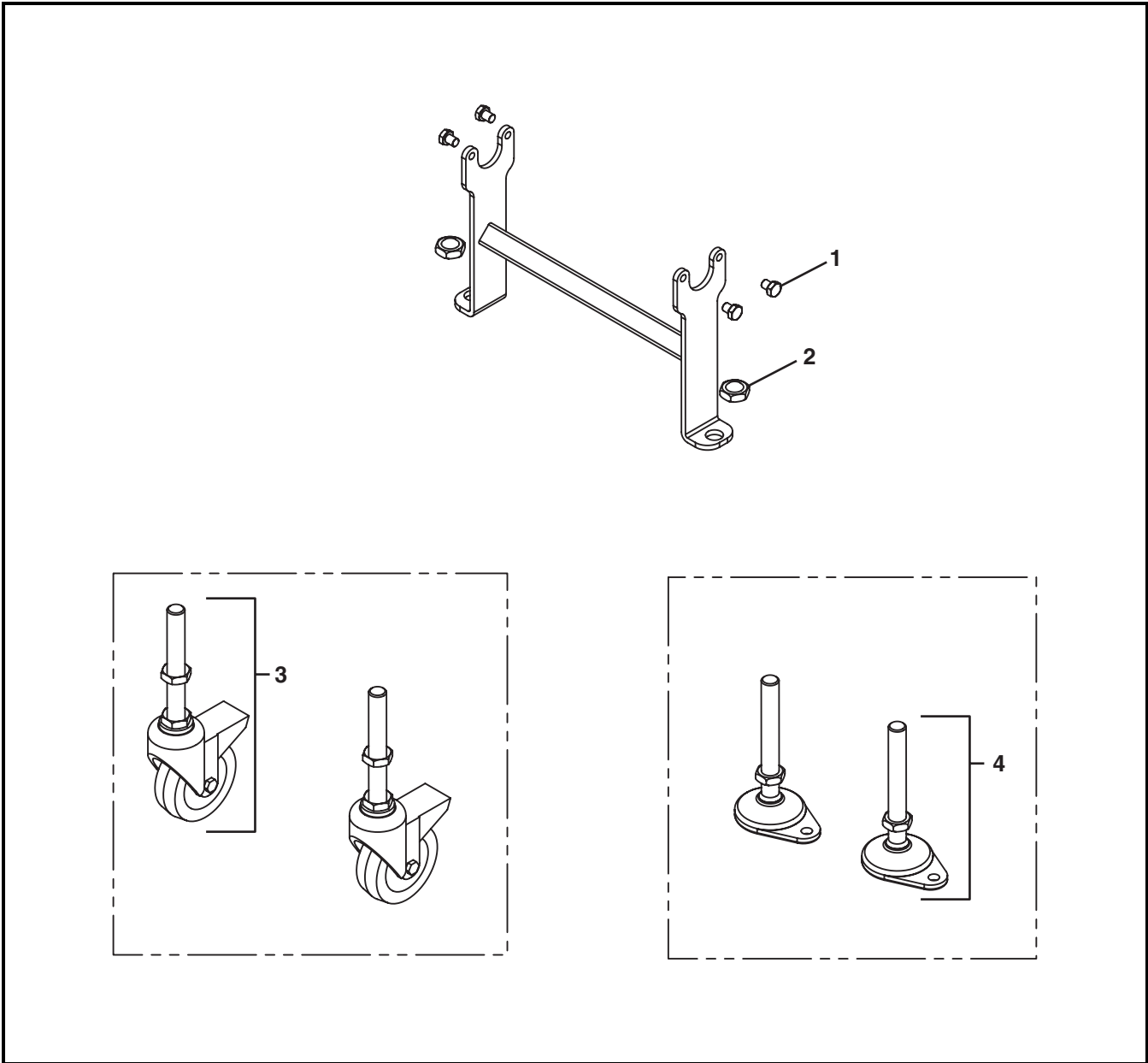
Incline Outrigger Stand



Item	Part Number	Description
1	961012MSS	Hex Head Cap Screw M10-1.50 x 12 mm (x4)
2	961035MSS	Hex Head Cap Screw M10-1.50 x 30 mm (x4)
3	458310	Standoff Post (x4)
4	807-1596	Tube End Plug (x2)
5	807-1304	Threaded Tube End (x2)
6	458309	Caster Assembly (x2)

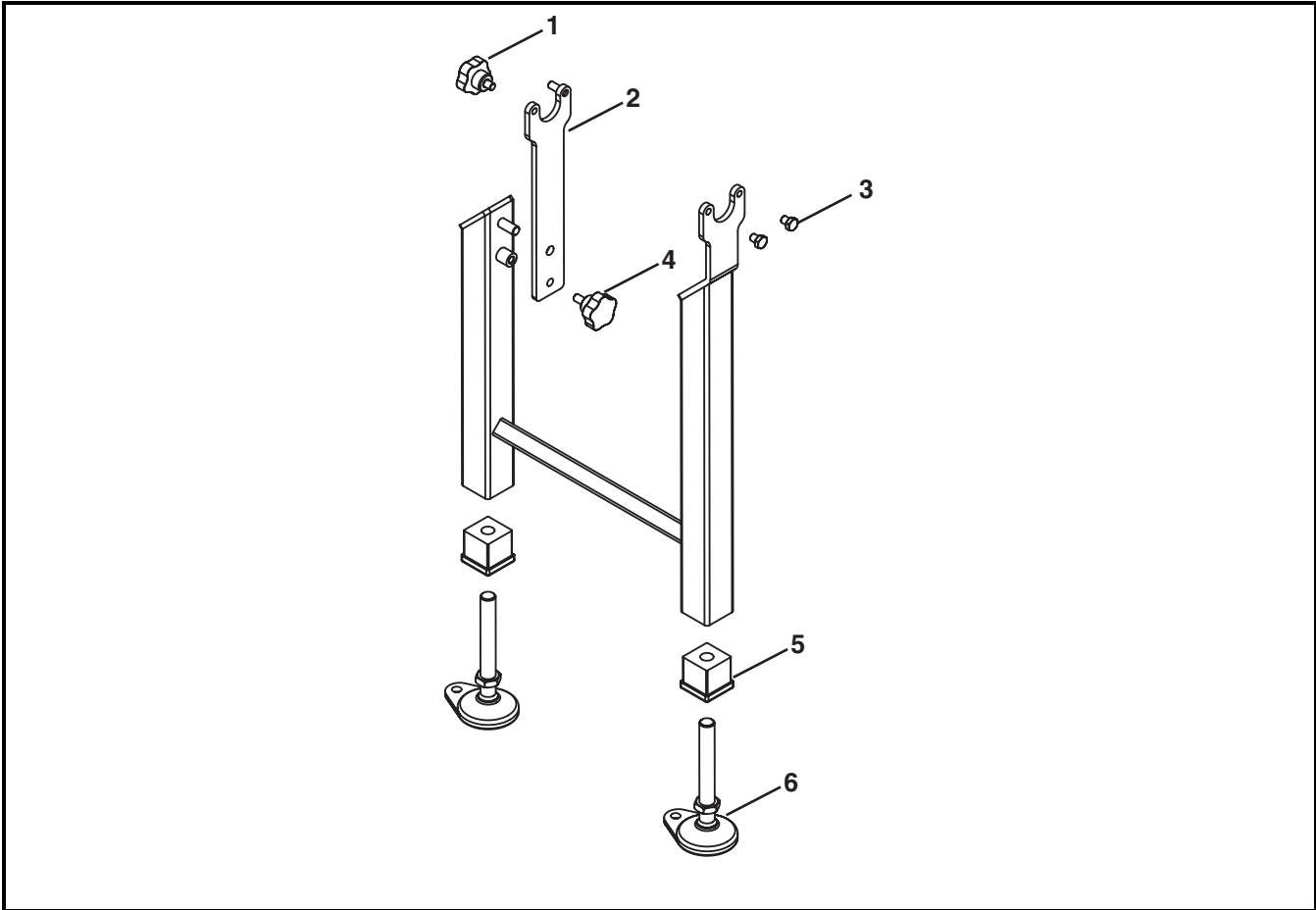
Service Parts

Bracket Mount Sanitary Support Stand (Type BM)



Item	Part Number	Description
1	961012MSS	Hex Head Cap Screw M10-1.5 x 12 mm
2	992001MSS	Hex Nut M20-2.50
3	458309	Caster Assembly (x2)
4	807-1321	Teardrop Foot Assembly (x2)

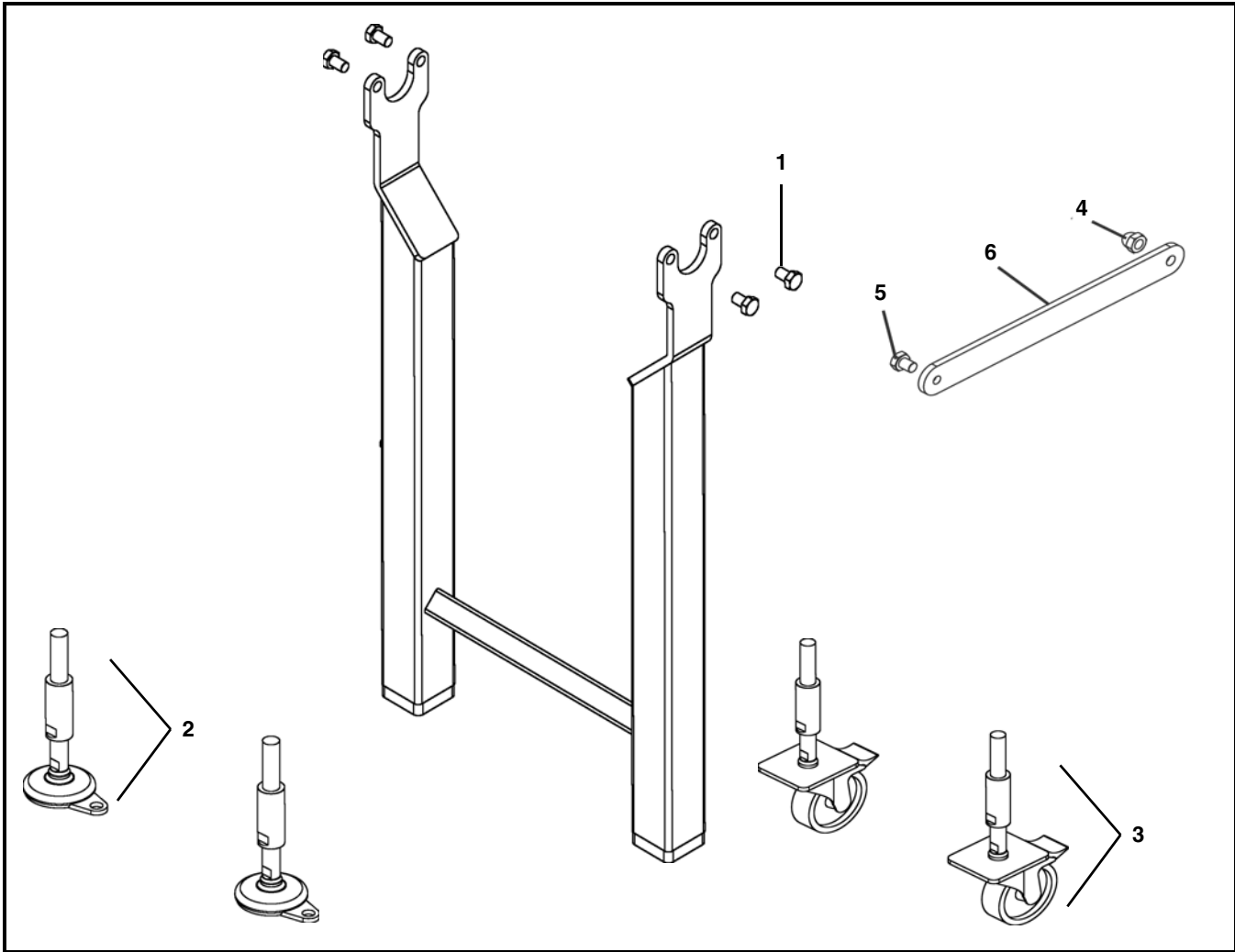
Quick Release Sanitary Support Stand (Type QR)



Item	Part Number	Description
1	500885	Cutoff Knob
2	500886	Quick Disconnect Arm Assembly
3	961012MSS	Hex Head Cap Screw M10-1.50 x 12 mm
4	807-1538	5 Lobed Knob M10 x 20 mm
5	807-1304	Threaded Tube End
6	807-1321	Teardrop Foot Assembly

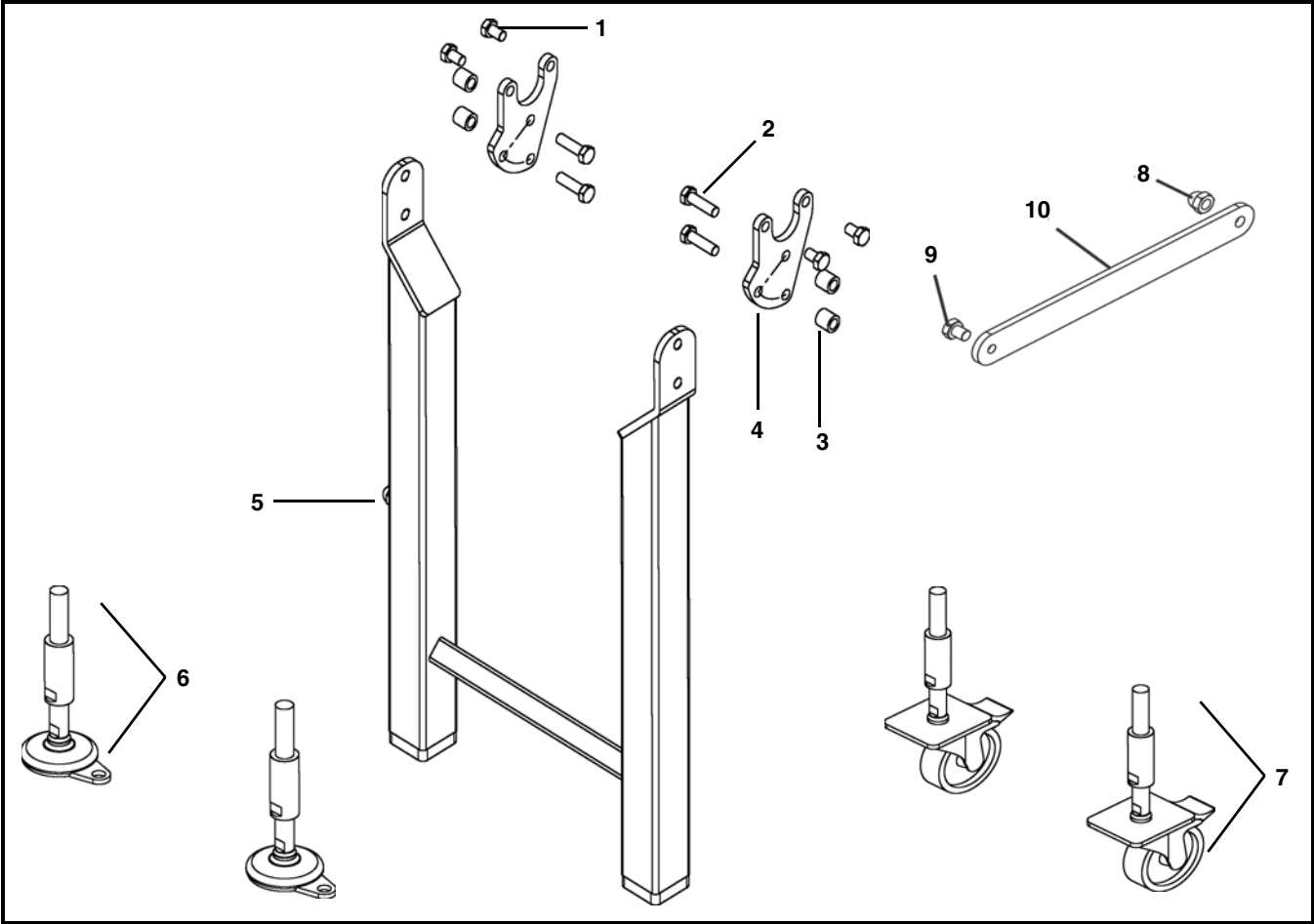
Service Parts

Ultimate Horizontal Mount Sanitary Support Stand (Type HM)



Item	Part Number	Description
1	961016MSS	Hex Head Cap Screw M10-1.5 x 16 mm (x4)
2	807-1608	Leveler (x2)
3	807-1609	Swivel Caster Assembly (x2)
4	991008MSS	Acorn Nut M10-1.50
5	960616MSS	Hex Head Cap Screw M10-1.5 x 12 mm
6	501194- <u>LLLLL</u>	Bracing Bar
<u>LLLLL</u> = Bracing bar length in inches with two decimal places		
Example: Bracing bar length = 21.75" <u>LLLLL</u> = 02175		
LLL Length Formula		
$\underline{LLL} = \frac{\underline{LLLLL} - 125}{100}$		
with one decimal place		
Example: $\underline{LLL} = \frac{02175 - 125}{100} = 20.5$		
$\underline{LLL} = 205$		

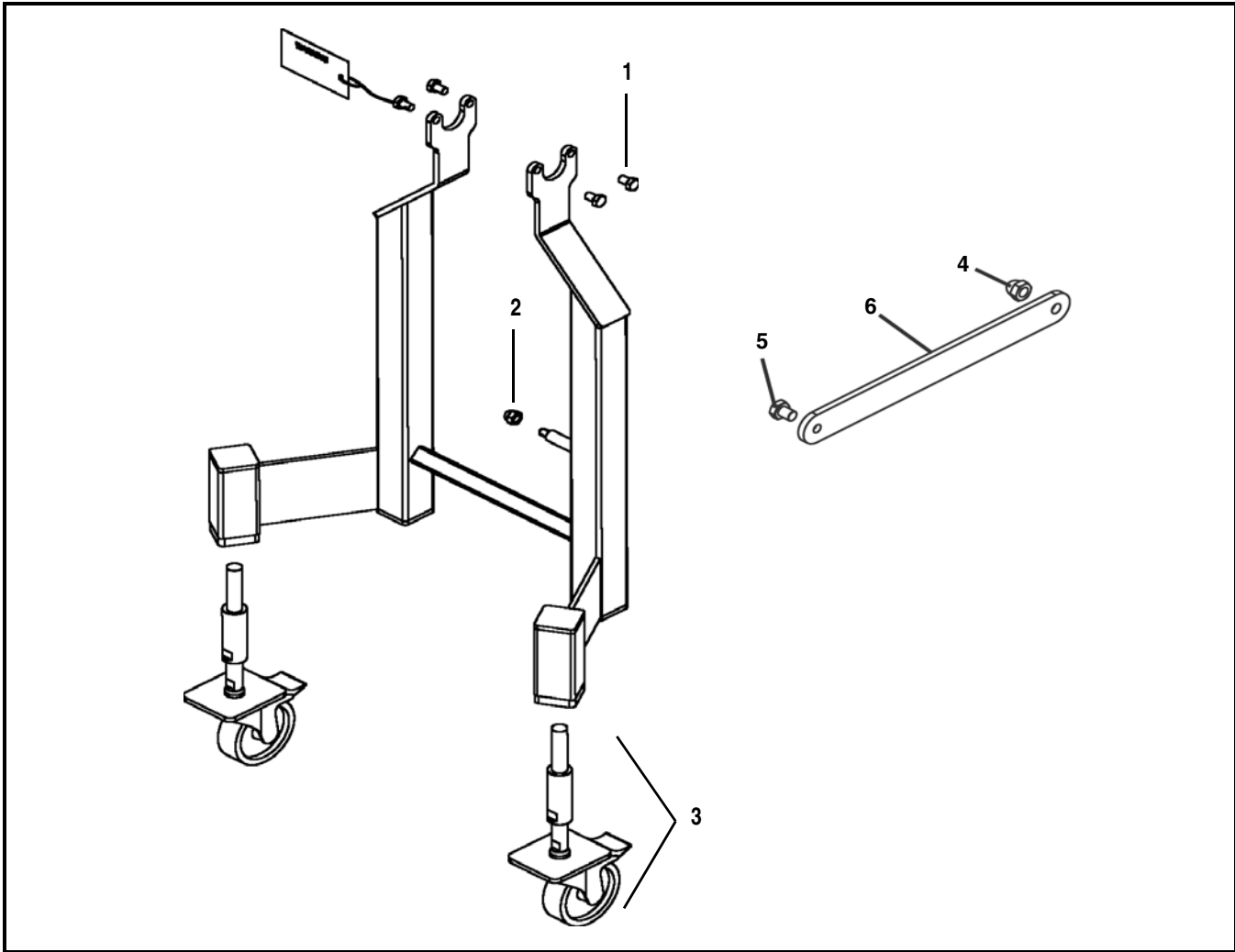
Ultimate Incline Mount Sanitary Support Stand (AM)



Item	Part Number	Description
1	961016MSS	Hex Head Cap Screw M10-1.5 x 16 mm (x4)
2	961035MSS	Hex Head Cap Screw M10-1.5 x 35 mm (x4)
3	458310	Standoff Post (x4)
4	501198	Mount Pivot Plate 0-60 degrees (x2)
5	991008MSS	Hex Nut M10-1.5
6	807-1608	Leveler (x2)
7	807-1609	Swivel Caster Assembly (x2)
8	991008MSS	Acorn Nut M10-1.50
9	960616MSS	Hex Head Cap Screw M10-1.5 x 12 mm
10	501194-LLLLL	Bracing Bar
<p>LLLLL = Bracing bar length in inches with two decimal places</p> <p>Example: Bracing bar length = 21.75" LLLLL = 02175</p> <p>LLL Length Formula</p> <p>$LLL = \frac{LLLLL - 125}{100}$</p> <p>with one decimal place</p> <p>Example: $LLL = \frac{02175 - 125}{100} = 20.5$</p> <p>LLL = 205</p>		

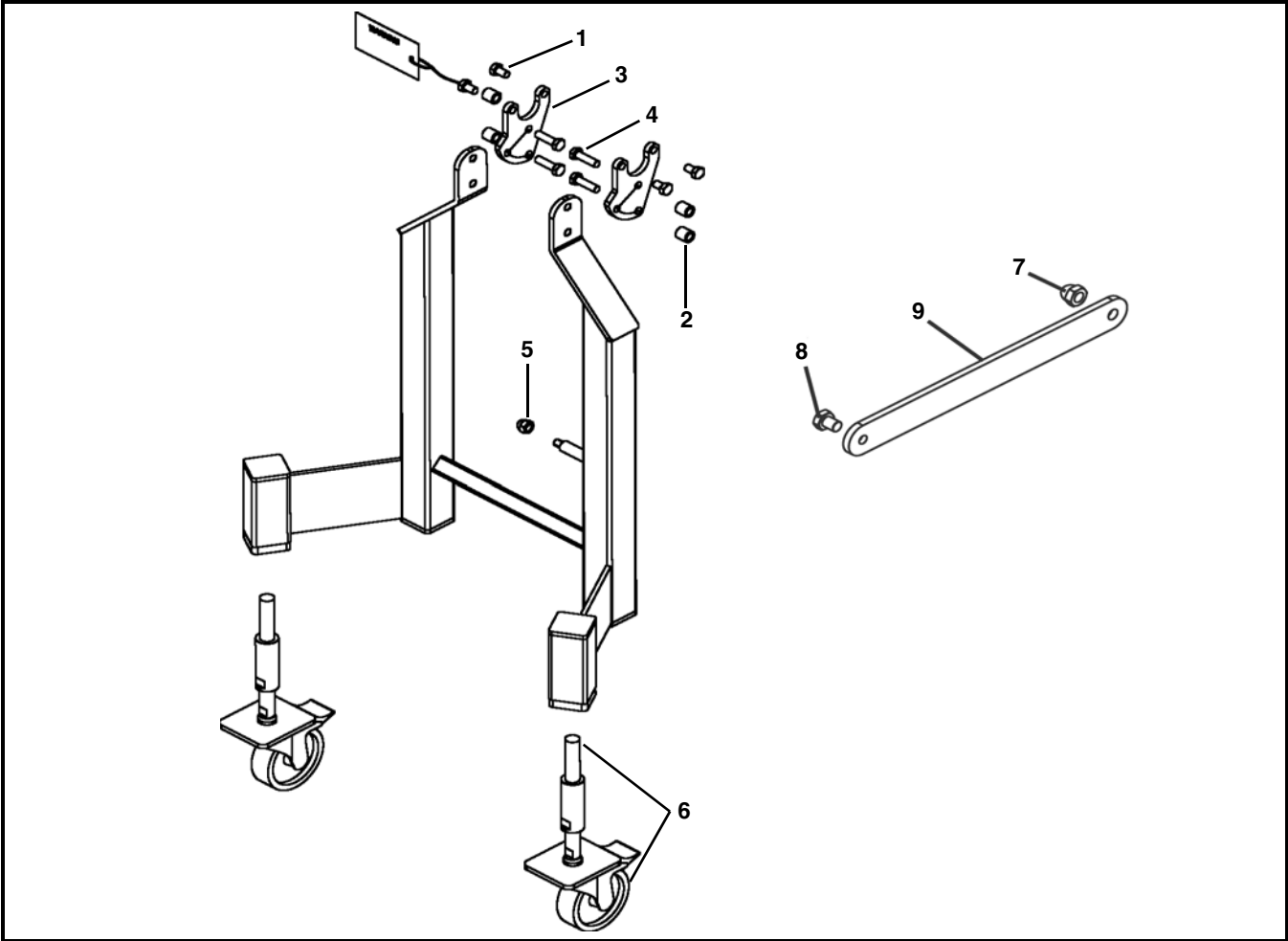
Service Parts

Ultimate Horizontal Outrigger Stand



Item	Part Number	Description
1	961016MSS	Hex Head Cap Screw M10-1.50 x 16 mm (x4)
2	991008MSS	Hex Nut M10-1.50
3	807-1609	Caster Swivel Lock Assembly (x2)
4	991008MSS	Acorn Nut M10-1.50
5	960616MSS	Hex Head Cap Screw M10-1.5 x 12 mm
6	501194- <u>LLLLL</u>	Bracing Bar
<u>LLLLL</u> = Bracing bar length in inches with two decimal places		
Example: Bracing bar length = 21.75" <u>LLLLL</u> = 02175		
LLL Length Formula		
$\underline{LLL} = \frac{\underline{LLLLL} - 125}{100}$		
with one decimal place		
Example: $\underline{LLL} = \frac{02175 - 125}{100} = 20.5$		
$\underline{LLL} = 205$		

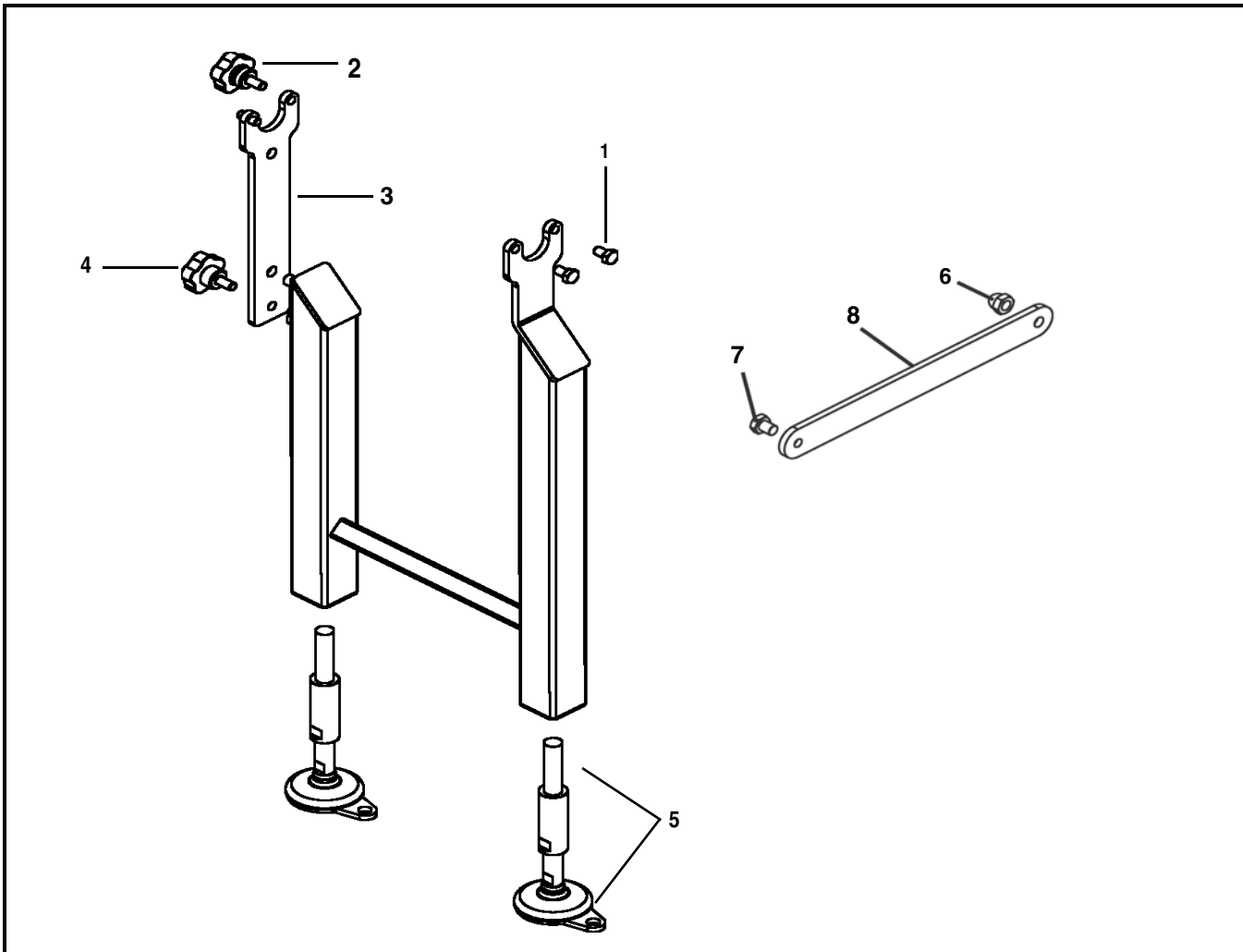
Ultimate Incline Outrigger Stand



Item	Part Number	Description
1	961016MSS	Hex Head Cap Screw, M10-1.50 x 16 mm (x4)
2	458310	Standoff Post (x4)
3	501198-AA	Mount Pivot Plate 0-60 degrees (x2)
4	961035MSS	Hex Head Cap Screw, M10-1.50 x 35 mm (x4)
5	991008MSS	Hex Nut M10-1.50
6	807-1609	Swivel Caster Assembly (x2)
7	991008MSS	Acorn Nut M10-1.50
8	960616MSS	Hex Head Cap Screw M10-1.5 x 12 mm
9	501194-LLLLL	Bracing Bar
<p>LLLLL = Bracing bar length in inches with two decimal places</p> <p>Example: Bracing bar length = 21.75" LLLLL = 02175</p> <p>LLL Length Formula</p> $LLL = \frac{LLLLL - 125}{100}$ <p>with one decimal place</p> <p>Example: $LLL = \frac{02175 - 125}{100} = 20.5$</p> <p>LLL = 205</p>		

Service Parts

Ultimate Quick Release Sanitary Support Stand (Type QR)



Item	Part Number	Description
1	961016MSS	Hex Head Cap Screw M10-1.50 x 16 mm (x2)
2	501483	Grooved Knob
3	501484	Quick Disconnect Arm
4	807-1538	Lobed Knob 20mm
5	807-1608	Leveler (x2)
6	991008MSS	Acorn Nut M10-1.50
7	960616MSS	Hex Head Cap Screw M10-1.5 x 12 mm
8	501194-LLLLL	Bracing Bar
<p>LLLLL = Bracing bar length in inches with two decimal places</p> <p>Example: Bracing bar length = 21.75" LLLLL = 02175</p> <p>LLL Length Formula</p> <p>$LLL = \frac{LLLLL - 125}{100}$</p> <p>with one decimal place</p> <p>Example: $LLL = \frac{02175 - 125}{100} = 20.5$</p> <p>LLL = 205</p>		

Return Policy

Returns must have prior written factory authorization or they will not be accepted. Items that are returned to Dorner without authorization will not be credited nor returned to the original sender. When calling for authorization, please have the following information ready for the Dorner factory representative or your local distributor:

1. Name and address of customer.
2. Dorner part number(s) of item(s) being returned.
3. Reason for return.
4. Customer's original order number used when ordering the item(s).
5. Dorner or distributor invoice number (if available, part serial number).

A representative will discuss action to be taken on the returned items and provide a Returned Goods Authorization (RMA) number for reference. RMA will automatically close 30 days after being issued. To get credit, items must be new and undamaged. There will be a return charge on all items returned for credit, where Dorner was not at fault. It is the customer's responsibility to prevent damage during return shipping. Damaged or modified items will not be accepted. The customer is responsible for return freight.

Conveyors and conveyor accessories

Standard catalog conveyors	30%
MPB, 7200, 7300 Series, cleated and specialty belt	50%
AquaGard & AquaPruf Series conveyors	non-returnable items
Engineered to order products	case by case
Drives and accessories	30%
Sanitary stand supports	non-returnable items

Parts

Standard stock parts	30%
Plastic chain, cleated and specialty belts	non-returnable items

Returns will not be accepted after 60 days from original invoice date. The return charge covers inspection, cleaning, disassembly, disposal and reissuing of components to inventory. If a replacement is needed prior to evaluation of returned item, a purchase order must be issued. Credit (if any) is issued only after return and evaluation is complete.

Dorner has representatives throughout the world. Contact Dorner for the name of your local representative. Our Customer Service Team will gladly help with your questions on Dorner products.

For a copy of Dorner's Warranty, contact factory, distributor, service center or visit our website at www.dorner.com

For replacement parts, contact an authorized Dorner Service Center or the factory.



Dorner Mfg. Corp. reserves the right to change or discontinue products without notice. All products and services are covered in accordance with our standard warranty. All rights reserved. © Dorner Mfg. Corp. 2009

DORNER MFG. CORP.

975 Cottonwood Ave., PO Box 20
Hartland, WI 53029-0020 USA
TEL 1-800-397-8664 (USA)
FAX 1-800-369-2440 (USA)
Internet: www.dorner.com

Outside the USA:
TEL 1-262-367-7600
FAX 1-262-367-5827