

Mounting Package Assembly Instructions

3100 Side Mounting Packages

This mounting package can be set up in either one of two positions (**A** or **D**, Figure 1).

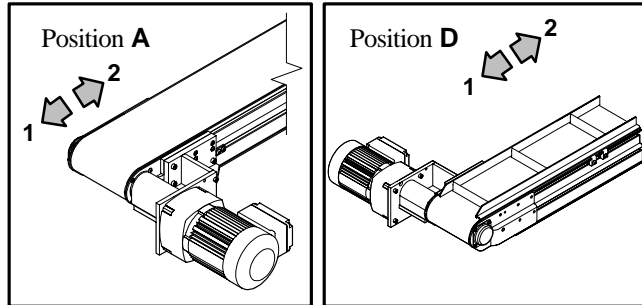


Figure 1: Flat Belt (left) & Cleated Belt (right)

In addition, the conveyor belt can be driven in either one of two directions (**1** or **2**, Figure 1). Arrows show belt travel direction.

NOTE:

Item numbers shown below correspond with those shown in Figure 2 and on the backside of this instruction sheet.

Loose components shipped with the mounting kit include the square key (**1**), M6 x 20 mm (**4**), M6 x 25 mm (**5**), M6 x 35 mm (**6**) socket head cap screws, side drive guard (**10**) and M5 x 10 mm button head cap screws (**11**).

The gearmotor (**C**), and the M6 x 20 mm socket head cap screws (**4**) that mount it, are shown assembled to the gearmotor mounting plate (**12**). These items are shipped as loose parts. However, the mounting plate assembly (**3**, **7**, **12** & **15**) is shipped pre-assembled.

1. Secure the mounting plate assembly to the conveyor (**B**) using one M6 x 35 mm (**6**) socket head cap screw in top mounting hole, two M6 x 20 mm (**4**) socket head cap screws in the middle holes and two M6 x 25 mm (**5**) socket head cap screws in the bottom holes.
2. The flex coupling (**2**) is shipped attached to the gearmotor shaft (**F**). Make sure the set screw (**H**) on the end farthest from the gearmotor is loosened far enough to allow the coupling to slide onto the outboard shaft (**E**) on the conveyor.
3. Mount the assembly to the conveyor by placing the square key (**1**) into the keyway on the outboard shaft and sliding the flex coupling onto the shaft as far as the key will allow.
4. While holding the gearmotor and flex coupling assembly in alignment, secure to the mounting plate using the four M6 x 20 mm head cap screws (**4**).

NOTE:

Flex coupling will compensate for maximum shaft misalignments (**G** of Figure 2) of up to 1/16" (1.5 mm).

5. Tighten set screws on the flex coupling and re-assemble the side drive guard (**10**) to the mounting plate (**15**) using the M5 x 10 mm button head cap screws (**11**).

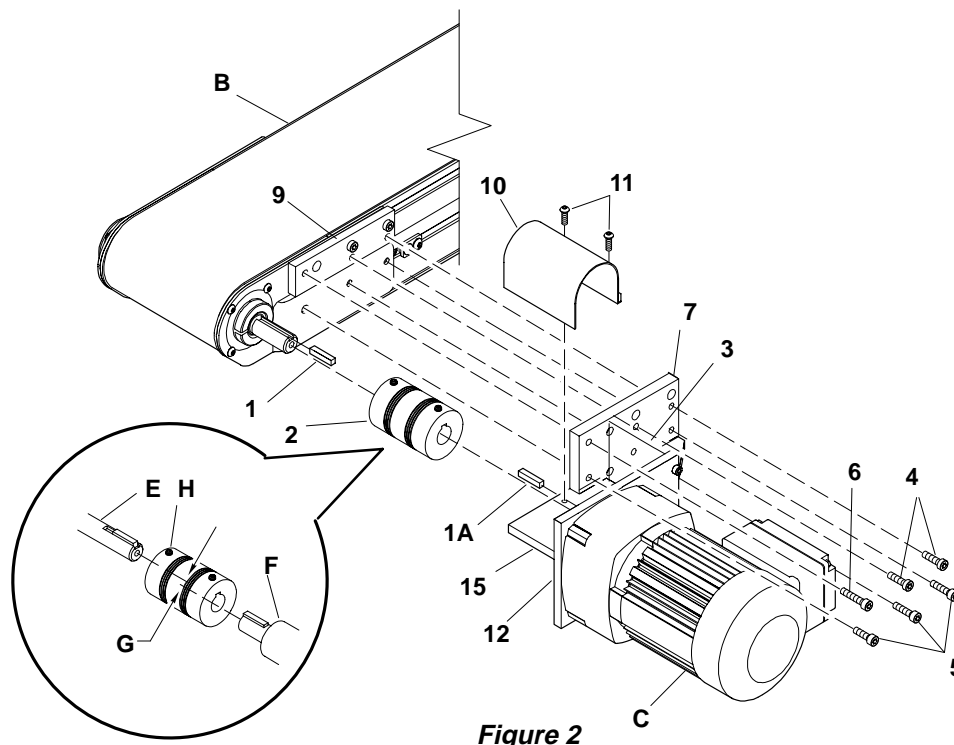
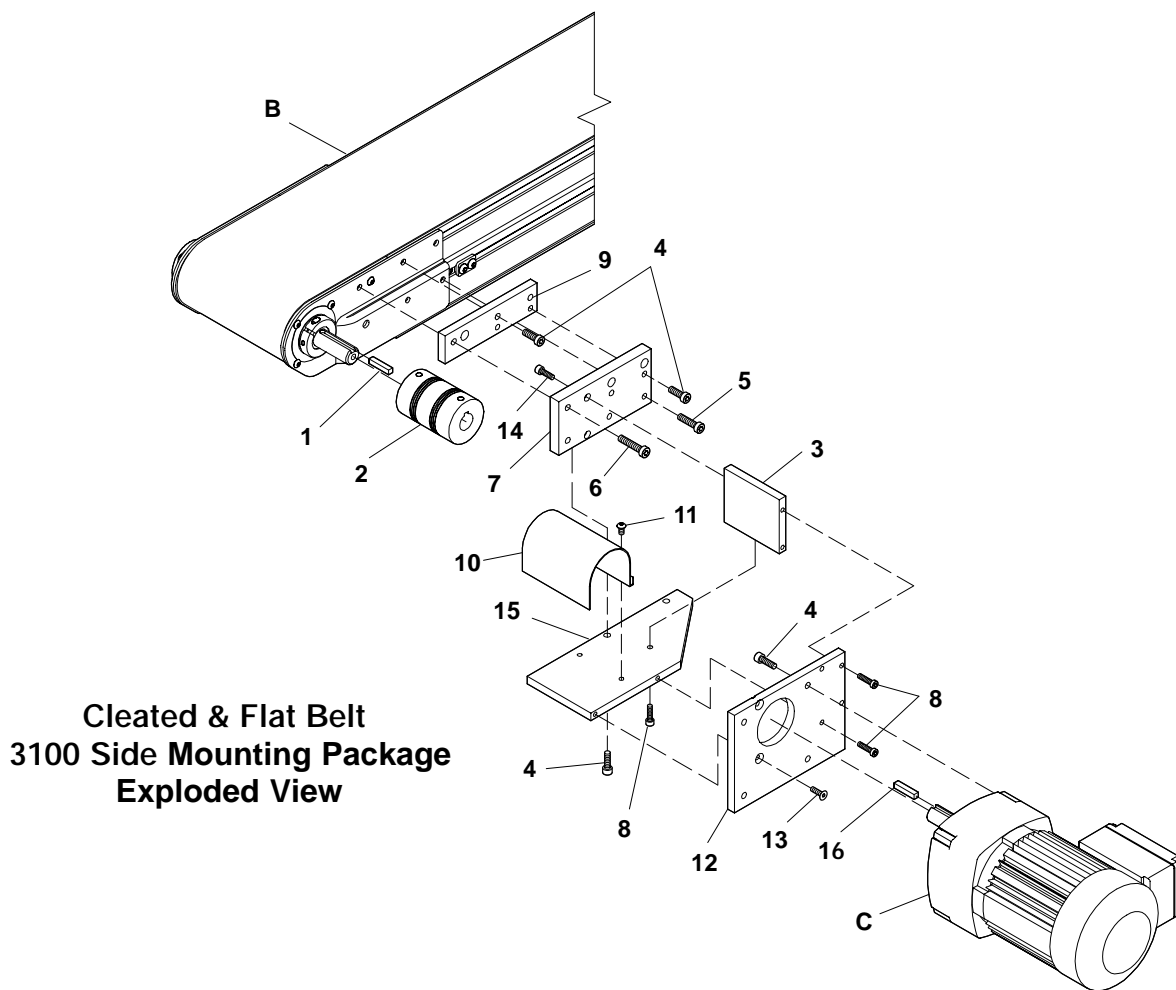


Figure 2

Mounting Package Assembly Instructions



**Cleated & Flat Belt
3100 Side Mounting Package
Exploded View**

| Item | Part No. | Part Description |
|------|----------|--|
| 1 | 980018M | Square Key (Undersized), 6 mm x 18 mm |
| 2 | 807-1026 | Flexible Coupling, 19 mm x 3/4" |
| 3 | 310047M | Side Drive Gusset |
| 4 | 902-157 | Socket Head Cap Screw, 1/4-28 x 3/4" |
| 5 | 920625M | Socket Head Cap Screw, M6-1.0 x 25 mm |
| 6 | 920635M | Socket Head Cap Screw, M6-1.0 x 35 mm |
| 7 | 310039M | Side Drive Mounting Plate |
| 8 | 920520M | Socket Head Cap Screw, M5-0.80 x 20 mm |

| Item | Part No. | Part Description |
|------|----------|--|
| 9 | 300038M | Spacer, 3/8, Thick |
| 10 | 310048M | Side Drive Guard |
| 11 | 910510M | Button Head Cap Screw, M5-0.80 x 10 mm |
| 12 | 310041M | Gearmotor Mounting Plate |
| 13 | 930518M | Flat Head Cap Screw, M5-0.80 x 18 mm |
| 14 | 920518M | Socket Head Cap Screw, M5-0.80 x 18 mm |
| 15 | 310042M | Side Drive Plate |
| 16 | 912-078 | Key, 3/16" x 3/4" Long |

DORNER

Dorner Mfg. Corp. reserves the right to change or discontinue products without notice. All products and services are covered in accordance with our standard warranty. All rights reserved. ©Dorner Mfg. Corp. 1997

DORNER MFG. CORP.

975 Cottonwood Ave., PO Box 20
Hartland, WI 53029-0020 USA

USA

TEL 1-800-397-8664 (USA)

FAX 1-800-369-2440 (USA)

Outside the USA:

TEL 1-414-367-7600, FAX 1-414-367-5827

DORNER

Arnold-Sommerfeld-Ring 2
D-52499 Baesweiler

Germany

TEL (02401) 80 52 90

FAX (02401) 80 52 93