

DORNER[®]

MOVE FAST. MOVE SMART.



CONVEYOR COMPARISON / SELECTION CHART

Application Requirements

- Packaging
- Print/Labeling/Marking
- Plastic Injection Molding
- Automated & Manual Assembly
- Magnetic & Vacuum Capabilities
- Integration in Tight Spaces
- Small Parts Transfers
- Sortation
- Machine Part Handling
- Curing, Cooling, Heating & Cleaning



2200 / DustPruf 2300

[LIGHT TO MEDIUM DUTY, NARROWER AND SHORTER]



- Print/Labeling/Marking
- Automated & Manual Assembly
- Sortation
- Curing, Cooling, Heating & Cleaning
- Solar Panels
- Packaging
- Plastic Molding
- Metal Forming & Stamping
- Adjustable Incline

3200

[HEAVY DUTY, WIDER, LONGER, FASTER]



Features

- Self tracking v-guided belts or modular plastic belt
- Knurled stainless steel drive pulley for optimum performance
- Rack and pinion belt tension system for fast, accurate adjustment
- Extruded aluminum frame and stainless steel bedplate
- Sealed ball bearings
- Center drive features no maintenance gas spring belt tension
- Streamlined machine interface
- Accumulation
- Sharp parts

- Rack and pinion belt tension system for fast, accurate adjustment
- Extruded aluminum frame and hard coated anodized bedplate
- Self tracking v-guided belts
- Steel drive pulley for optimum performance
- Sealed ball bearings
- Fast belt speeds
- Aesthetics

	Flat Belt		Cleated Belt	MPB Flat & Cleated Belt *
	End / iDrive	Center Drive	End Drive	End Drive
Belt Type				
Drive Locations				
Construction	Aluminum	Aluminum	Aluminum	Aluminum
T-slots for Mounting Accessories	Yes	Yes	Yes	Yes
Belt Widths	1.75" - 24" (45 - 610 mm)	1.75" - 24" (45 - 610 mm)	1.75" - 24" (45 - 610 mm)	3" - 23.25" (76 - 591 mm)
Conveyor Lengths	1.5' - 18' (457 - 5,486 mm)	2' - 24' (610 - 7,315 mm)	1.5' - 18' (457 - 5,486 mm)	2' - 30' (610 - 9,144 mm)
Max Belt Speed	400 ft/min (122 m/min)	400 ft/min (122 m/min)	400 ft/min (122 m/min)	250 ft/min (76 m/min)
Maximum Load	80 lbs (36 kg)	120 lbs (54 kg)	80 lbs (36 kg)	150 lbs (68 kg)
Frame Configuration	Straight	Straight	Straight	Straight
Frame Height	1.87" (48 mm)	1.87" (48 mm)	1.87" (48 mm)	2.96" (75 mm)
Pulley Diameter	1.25" (32 mm)	1.25" (32 mm)	1.25" (32 mm)	2.6" (66 mm)

	Flat Belt		Cleated Belt	Z-Frame Flat & Cleated
	End / iDrive	Center Drive	End Drive	End & Center Drive
Belt Type				
Drive Locations				
Construction	Aluminum	Aluminum	Aluminum	Aluminum
T-slots for Mounting Accessories	Yes	Yes	Yes	Yes
Belt Widths	3.75" - 48" * (95 - 1,219 mm)	3.75" - 48" * (95 - 1,219 mm)	3.75" - 24" (95 - 610 mm)	3.75" - 48" (95 - 1,219 mm)
Conveyor Lengths	3' - 40' (914 - 12,192 mm)	4' - 99' (1,219 - 30,175 mm)	3' - 40' (914 - 12,192 mm)	4' - 40' (1,219 - 12,192 mm)
Max Belt Speed	600 ft/min (183 m/min)	600 ft/min (183 m/min)	600 ft/min (183 m/min)	600 ft/min (183 m/min)
Maximum Load	400 lbs (181 kg)	1,000 lbs (455 kg)	400 lbs (181 kg)	100 lbs (45 kg)
Frame Configuration	Straight	Straight	Straight	Straight
Frame Height	3.80" (97 mm)	3.80" (97 mm)	3.80" (97 mm)	3.80" (97 mm)
Pulley Diameter	3.0" (76 mm)	3.0" (76 mm)	3.0" (76 mm)	3.0" (76 mm)

Page

8-13

14-17

* Formerly MPB Series

* Wider widths available, consult factory for details

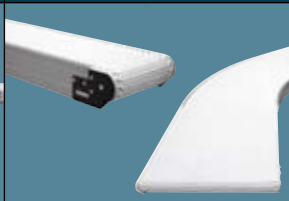
CONVEYOR COMPARISON / SELECTION CHART

- Packaging
- Accumulation/Sortation
- Print/Labeling/Marking
- Curing, Cooling, Heating & Cleaning
- QWIK Reconfiguration for Changing Needs
- Sharp Parts
- Solar Panels
- Automated Assembly

QWIK 5200 [HEAVY DUTY, LONGER, FASTER, CURVES]



DustPruf 5300 [FLEXIBLE MODULAR DESIGN]

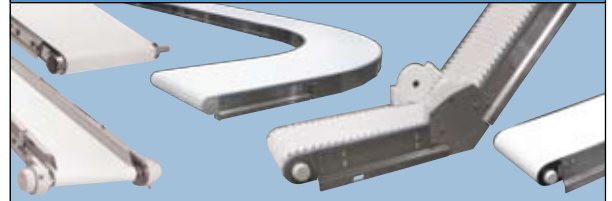


- QWIK Slots for simple mounting of accessories
- Completely contained belt reduces pinch points
- Integrated wire way for low voltage wires
- Open top frame simplifies belt maintenance and replacement
- Sprocket alignment key for quick belt alignment
- Support stands mounted directly to side rail keep frame open for mounting accessories
- Nose bar tail option

- Completely contained belt reduces pinch points
- Open top frame simplifies belt maintenance and replacement
- Sprocket alignment key for quick belt alignment
- Support stands mounted directly to side rail keep frame open for mounting accessories
- Nose bar tail option
- (2) SmartSlots™

- Food Packaging
- Pharmaceutical
- Medical
- Personal Care
- Food Processing

AquoGard [CLEANABLE - SANITARY]



- Low profile
- Sealed stainless steel bearings with FDA lubricant
- Self tracking v-guided belts
- Stainless steel frame
- Wipe down and liquid spray washdown with certain cleaning agents
- Wedge-Lok™ System for impact protection

Flat & Cleated Belt	Curved	Z-Frame Flat & Cleated	Flat & Cleated Belt	Curved
End Drive	End Drive	End Drive	End Drive	End Drive
Aluminum	Aluminum	Aluminum	Aluminum	Aluminum
Yes	Yes	Yes	No	No
8" - 60" (203 - 1,524 mm)	8" - 36" (203 - 914 mm)	8" - 24" (203 - 1,219 mm)	6" - 36" (152 - 914 mm)	8" - 36" (203 - 914 mm)
3' - 83.25' (914 - 25,375 mm)	3' - 83.25' (914 - 25,375 mm)	3' - 83.25' (914 - 25,375 mm)	3' - 83.25' (914 - 25,375 mm)	3' - 83.25' (914 - 25,375 mm)
250 ft/min (76 m/min)	250 ft/min (76 m/min)	250 ft/min (76 m/min)	250 ft/min (76 m/min)	250 ft/min (76 m/min)
1,000 lbs (455 kg)	500 lbs (227 kg)	1,000 lbs (455 kg)	500 lbs (227 kg)	500 lbs (227 kg)
Straight	Curved	Straight	Straight	Curved
5.77" (147 mm)	5.77" (147 mm)	5.77" (147 mm)	5.77" (147 mm)	5.77" (147 mm)
Standard Idler 4.3" (109 mm)	Standard Idler 4.3" (109 mm)	Standard Idler 4.3" (109 mm)	Standard Idler 4.3" (109 mm)	Standard Idler 4.3" (109 mm)

18-21

22-23

7200/7300 Flat & Cleated Belt	7350 Flat, Cleated & Z-Frame	7350 Curved	7360 Flat, Cleated & Z-Frame
End Drive	End Drive	End Drive	End & Center Drive
Stainless Steel	Stainless Steel	Stainless Steel	Stainless Steel
No	No	No	No
1.75" - 18" (45 - 457 mm)	4" - 36" (102 - 914 mm)	4" - 36" (102 - 914 mm)	4" - 52" (102 - 914 mm)
2' - 24' (610 - 7,315 mm)	3' - 83.25' (914 - 25,375 mm)	3' - 83.25' (914 - 25,375 mm)	3' - 40' (914 - 25,375 mm)
264 ft/min (81 m/min)	260 ft/min (78.6 m/min)	260 ft/min (78.6 m/min)	300 ft/min (91 m/min)
60 lbs (27 kg)	750 lbs (338 kg)	750 lbs (338 kg)	500 lbs (227 kg)
Straight	Straight	Curved	Straight
1.48" (38 mm)	5.6" (142 mm)	5.6" (142 mm)	5.6" (142 mm)
1.25" (32 mm)	4.3" (109 mm)	4.3" (109 mm)	3.5" (89 mm)

26-33

THE DORNER[®] ADVANTAGE

A program of action, support and service that make the customer's choice **Smart** and **Fast**

Application Hotline: 800-351-8712

A direct line to our engineers, where customers can call to discuss applications and options.



Industry leading 10 year limited warranty

The longest warranty being offered in the conveyor industry, this reduces the total cost of ownership.



Shortest lead time in the conveyor industry

No other company can deliver custom sized and application ready conveyors faster than Dorner.

CONVEYOR TYPE	LEAD TIME (DAYS TO SHIP)*
ALUMINUM EXTRUSION FRAME	
V-Guided Belt	3
Modular Plastic Belt	5
STAINLESS STEEL FRAME	
V-Guided Belt	10
Modular Plastic Belt	10

* Applies to products configured in E-Pricer.



Service Hotline: 888-417-3515

An after hours hotline, where customers can call and get help troubleshooting conveyors from a member of Dorner's FIT team of service experts.

Dorner's Service never sleeps.

DORNER[®] FIT[™] PROGRAM

FACTORY INSPECTION & TRAINING



Get FIT and Stay FIT Visits

A support program to ensure equipment is installed correctly, and that existing equipment is maintained to ensure peak performance.



FIT Replacement Parts

Original equipment, wear and maintenance parts from Dorner, that will add conveyor life, maximize production time and ensure the customer's warranty is maintained.



FIT Training

A custom designed training course for the customer's engineers and maintenance personnel that ensures proper conveyor maintenance and safety that optimizes conveyor performance.

Setting the Standard for Small Parts Handling



2200 iDrive

iDrive literally redefined the application footprint for small product conveyors. This ground breaking feature is ideal for a variety of applications where space is tight or additional room is needed around the conveyor.

Features & Benefits

- Compact Space Saving Design
- Sized for Small Part Handling
- Variable Speed and Reversible
- Indexing Capable
- Flying Leads for Remote Operation

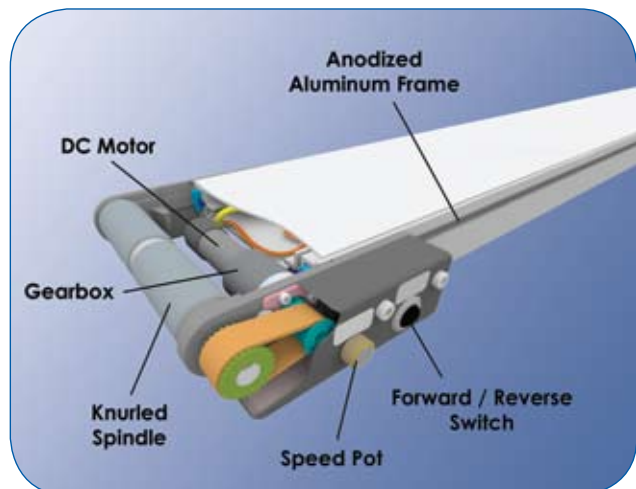
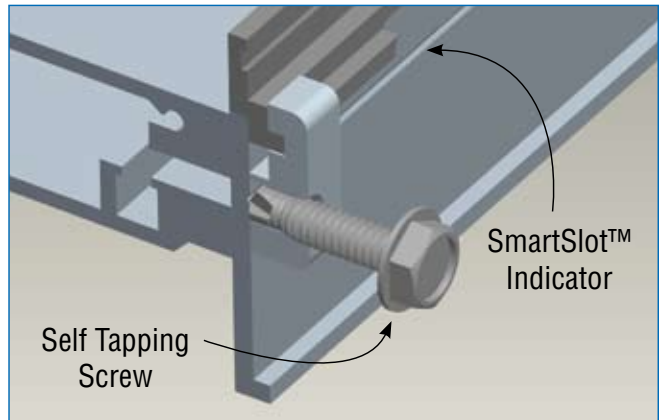
Specifications

- Width: 2" (51 mm) to 18" (457 mm)
- Length: 18" (457 mm) to 8' (2,438 mm)
- Speeds: 4 Speed Ranges
1.7 fpm min - 70 fpm max
(0.5 m/min - 21 m/min)
- Capacity: up to 25 lbs (11.3 kg) max



2300 DustPruf™ iDrive

The DustPruf™ design takes iDrive into environments where particulates, dust, or product debris can collect. The DustPruf™ design provides all of the integration flexibility of a T-slot without the drawback of slots that collect dust and debris.



2200 & 2300 Series iDrive

The Next Level of iDrive Technology



3200 iDrive

This offering is truly the next level of iDrive with wider width and longer length conveyors available plus faster speeds and more carrying capacity. And with all of the iDrive benefits available, this is the next level of performance.

Features & Benefits

- Compact Space Saving Design
- Sized for Small Part Handling
- Variable Speed and Reversible
- Indexing Capable
- Flying Leads for Remote Operation

Specifications

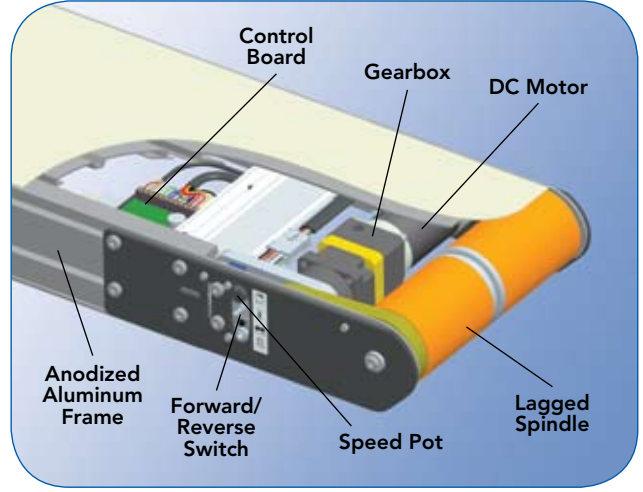
- Width: 6" (152 mm) to 24" (610 mm)
- Length: 3' (914 mm) to 12' (3,658 mm)
- Speeds: 3 Speed Ranges
15 fpm min - 171 fpm max
(4.6 m/min - 52.1 m/min)
- Capacity: up to 120 lbs (54.4 kg) max

Space Saving Design

Sized for Small Part Handling

Reduced Time Required for Conveyor Integration

iDrive merges advanced drive and control technologies with the compact design of the 2200, 2300, and 3200 Series by integrating the motor, gearbox and motor controller into a single space saving package. Capable widths as narrow as 2" and lengths as long as 12' with speeds up to 171 ft/min. Plus, indexing capable up to 30 times a minute.



3200 Series iDrive

Low Profile Belt Conveyors Extruded Aluminum



Space-Saving
Low Profile



Self-Tracking
V-Guided Belts



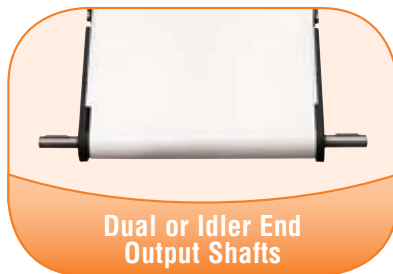
Rack & Pinion
Belt Tensioning



Nose Bar Transfers



Gang Drive Pulleys



Dual or Idler End
Output Shafts



T-Slots for
Mounting Accessories

Profiles
p. 34

Belting
p. 35-37

Gearmotors
p. 38-39

Controls
p. 40-41

Stands
p. 42-43

Accessories
p. 44



Improving Small Part Handling

- V-Guide belt tracking
- 1.25" diameter pulleys
- 8mm Nose bar transfers
- Narrow Widths Starting at 2"
- Compact design for tight spaces
- T-slots for adding accessories
- 10 guiding options

Quick Bottom Line Results

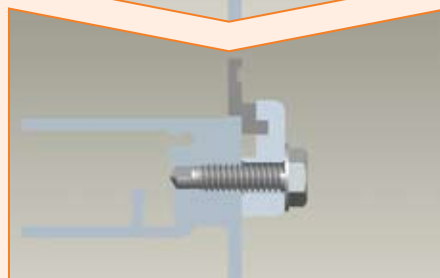
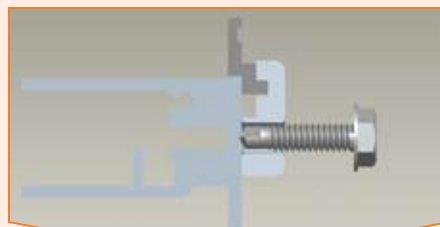
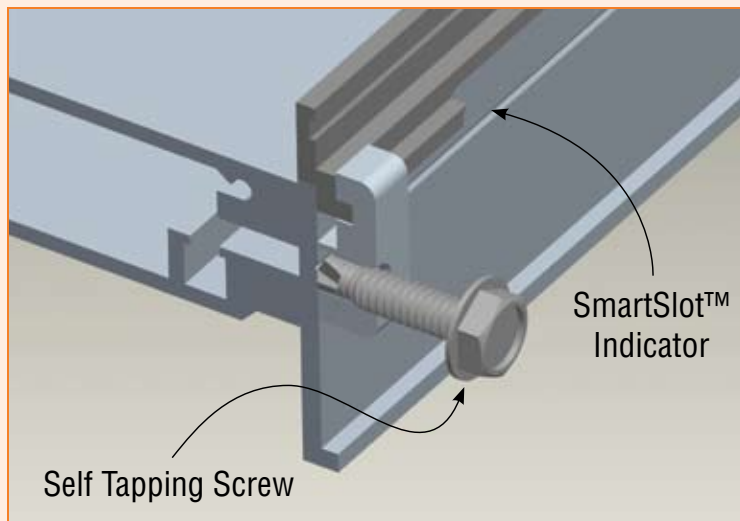
- 3 day shipping
- Ready to run options

DustPruf™

2300 DustPruf™ Conveyors

Ideal for environments where particulates, dust, or product debris can collect. Conveyors offer all the integration flexibility of a T-Slot without the drawback of slots that collect dust and product debris.

DustPruf™ Self Drilling Screw – One Step Fastening



2200 & MPB SERIES



Specifications:

- Flat Belt End Drive, Cleated Belt End Drive and Center Drive models
- Modular Plastic Belt End Drive, Cleated Belt End Drive, and Sidewall Cleated Belt End Drive models
- Gravity Roller models
- Loads up to 120 lbs (54 kg)
- Belt speeds up to 400 ft/min (122 m/min)
- Belt Widths: 1.75" (45 mm) to 24' (610 mm)
- Conveyor Lengths: 2' (610 mm) to 30' (7,315 mm)
- 1.25" (32 mm) diameter head and tail pulleys
- **CE** models available

Features & Benefits:

- Rack and pinion belt tensioning for fast, accurate single-point belt tensioning
- Aluminum die cast head plates eliminate painted surfaces
- Strong, box-like construction resists damaging frame twist
- 50% more belt take-up extends conveyor belt life
- T-slot for easy accessory mounting
- Maintenance-free gas spring tension on center drive models
- Motion sensor switch ready



**V-Guided
Belt Tracking**



**Rack and Pinion
Belt Tensioning**



**Optional
Gang Drive Pulleys**

Profiles
p. 34

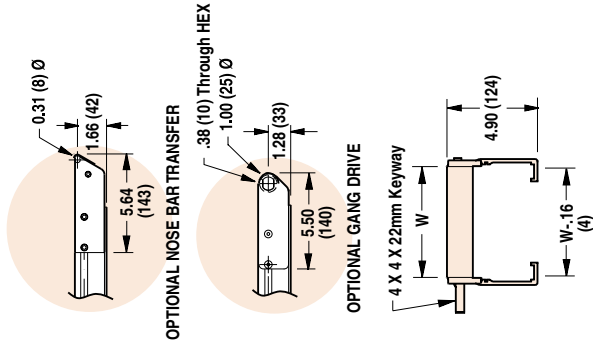
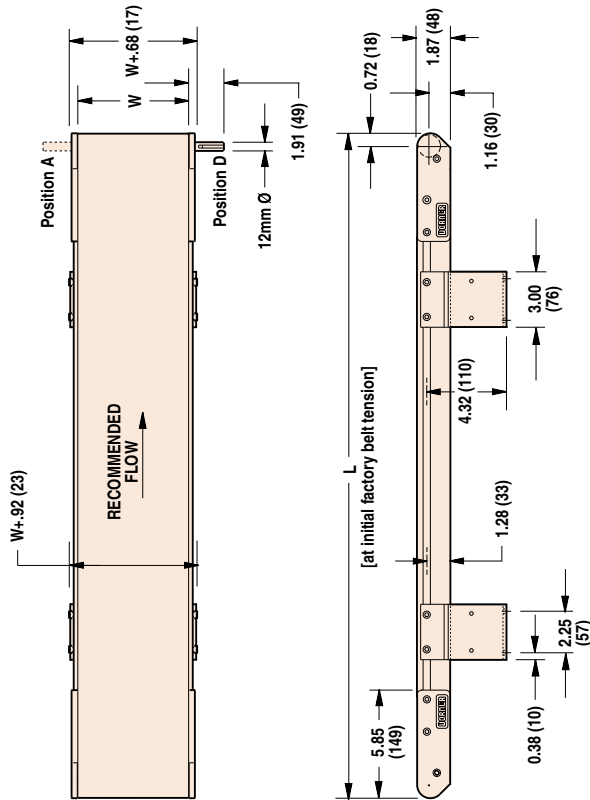
Belting
p. 35-37

Gearmotors
p. 38-39

Controls
p. 40-41

Stands
p. 42-43

Accessories
p. 44



STANDARD OPTIONS

Nose Bar Transfer

Available at non-driven ends for small parts transfers*



*Max Belt Speed of 75 ft/min (22 m/min)

W = Conveyor Belt Width Dim = in (mm)

STANDARD MODELS

Flat End Drive

- Flat Belt
- Modular Plastic Belt



Cleated End Drive

- Cleated Belt
- Cleated Modular Plastic Belt
- Sidewall Cleated Modular Plastic Belt



Flat Belt Center Drive



Gravity Roller





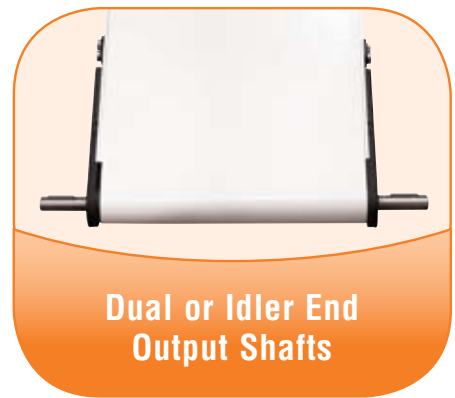
Specifications:

- Flat Belt End Drive, Cleated Belt End Drive, Flat Belt Center Drive and iDrive models
- Loads up to 120 lbs (54 kg)
- Belt speeds up to 400 ft/min (122 m/min)
- Belt Widths: 1.75" (45 mm) to 24" (610 mm)
- Conveyor Lengths: 18" (457 mm) to 24' (7,315 mm)
- 1.25" (32 mm) diameter drive and idler pulleys turn approximately 4.2" (107 mm) of belt per revolution
- 12 mm diameter integral drive shaft
- € models available

DustPruf™

Features & Benefits:

- SmartSlot™ mounting system for attachments without drawback of T-slot that collect dust
- Quick five-minute belt change
- Rack and pinion belt tensioning for fast, accurate single-point belt tensioning
- FDA approved low friction coating on bedplate**
- V-groove bed plate with guided belt provides positive belt tracking, even under demanding side load applications
- Non V-guided belts use our patented belt tracking cams, offering you the widest belt selection possible
- Strong, box-like construction resists damaging frame twist
- 50% more belt take-up extends conveyor belt life
- Belt take-up indicators for "at a glance" readings of remaining belt life
- Motion sensor switch ready
- Sealed ball bearings



Dual or Idler End Output Shafts



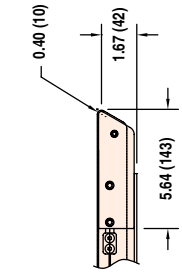
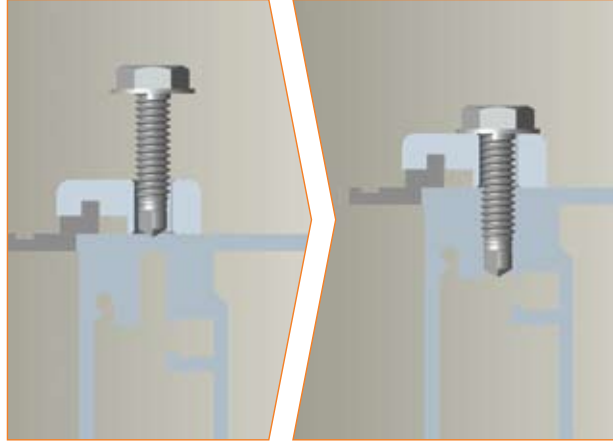
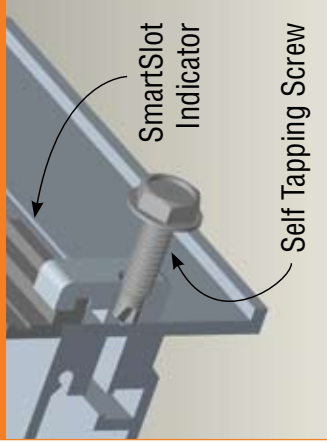
8 mm Nose Bar Transfer

** V-grooved aluminum bedplate available on 2" - 12" lengths only.
V-grooved stainless steel bedplate available on 18" - 24" lengths.

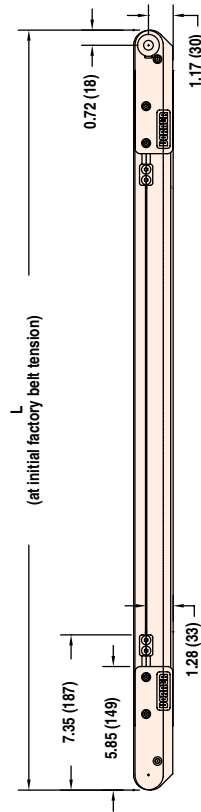
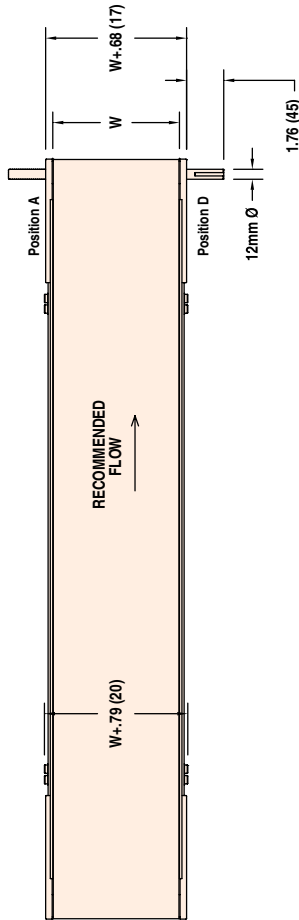
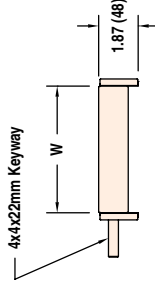


DUSTPRUF™ 2300 SERIES

SMARTSLOT™ TECHNOLOGY

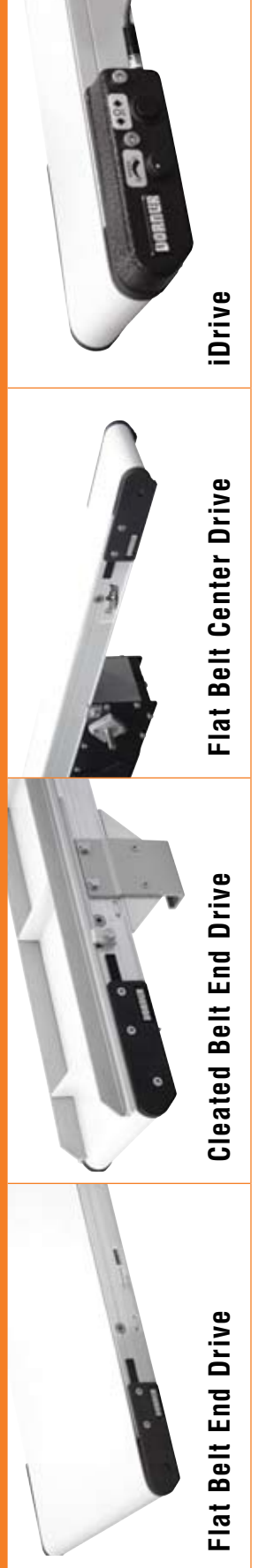


OPTIONAL NOSE BAR TRANSFER



W = Conveyor Belt Width **Dim = in (mm)**

STANDARD MODELS



Flat Belt End Drive

Cleaned Belt End Drive

Flat Belt Center Drive

iDrive

For more information, go to www.dorner.com. Call 800.397.8664 or 262.367.7600.
 Due to the wide variety of drive set ups and applications, point of installation guarding is the responsibility of the end user.

Heavy Duty Belt Conveyors Extruded Aluminum



Improved Unit Handling

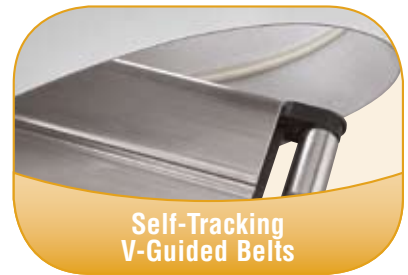
- V-Guided belt tracking
- 1" Nose bar transfers
- Speeds up to 600 fpm
- Wide Widths up to 48"
- Lengths up to 99'
- (2) T-slots for adding accessories
- 8 Guiding options

Quick Bottom Line Results

- 3 day shipping
- Ready to run options



(2) T-Slots for
Mounting Accessories



Self-Tracking
V-Guided Belts



Rack & Pinion
Belt Tensioning



Nose Bar Transfers



Wide Widths up to 48"



Center Drive
Models Available

Z-Frame Configurations

Z-Frame Conveyors

With multiple configurations available, Z-frame conveyors can be used in almost all incline, decline, and bridging applications.



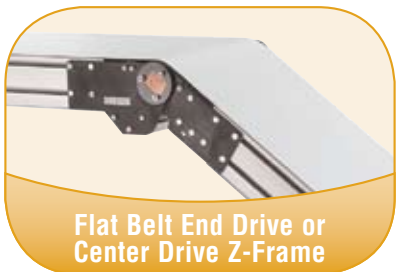
Adjustable Angles and Configurations



Small Parts Handling

Flexible Product Movement

- Move product up inclines or down declines
- Adjustable Angles for flexibility
- Contain small parts with ease
- Sidewall cleats for bulk handling
- Reduce product loss with less transfers



Flat Belt End Drive or Center Drive Z-Frame



Standard Cleated Z-Frame

Sidewall Cleated Z-Frame

3200 SERIES



Specifications:

- Flat Belt End Drive, Cleated Belt End Drive, and Center Drive and iDrive models
- Z-frame Flat Belt End Drive & Center Drive
- Z-frame Cleated and Sidewall Cleated Belt End Drive
- Loads up to 1,000 lbs (455 kg)
- Belt speeds up to 600 ft/min (183 m/min)
- Belt Widths: 3.75" (95 mm) to 48" (1,219 mm)
- Conveyor Lengths: 3' (914 mm) to 99' (30,175 mm)
- 3" (76 mm) diameter head and tail pulleys
- CE models available

Features & Benefits:

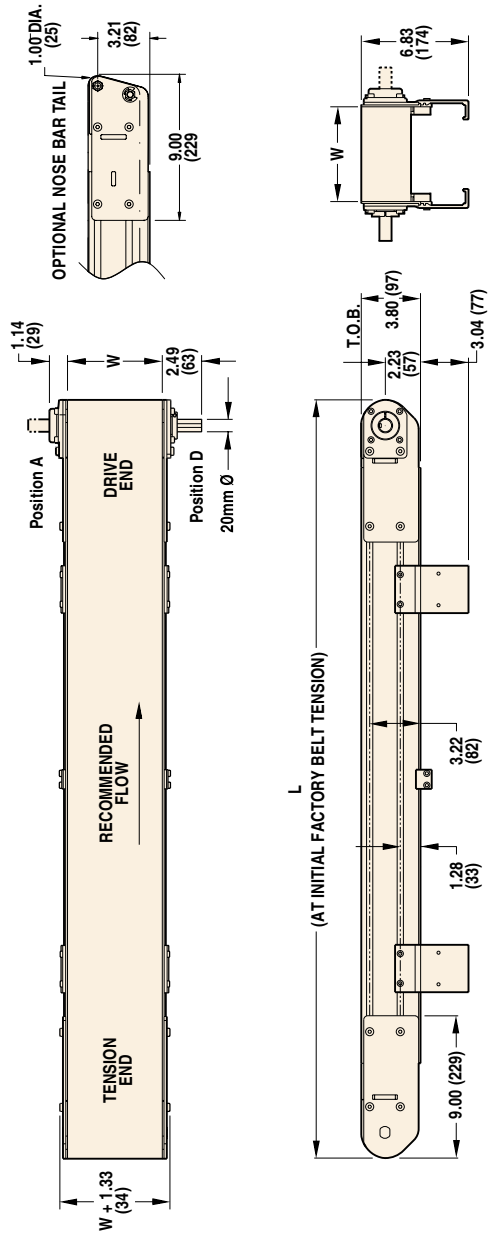
- Quick five-minute belt change
- Rack and pinion belt tensioning for fast, accurate single point belt tensioning
- V-groove bed plate with guided belt provides positive belt tracking, even under demanding side load applications
- Belt take-up indicator allows for quick reading of remaining belt life
- Strong, box-like construction resists damaging frame twist
- Stand mounting brackets and return belt rollers are easily re-positioned along the frame
- Two T-Slots on each side for easy mounting of pre-engineered accessories



**V-Guided
Belt Tracking**

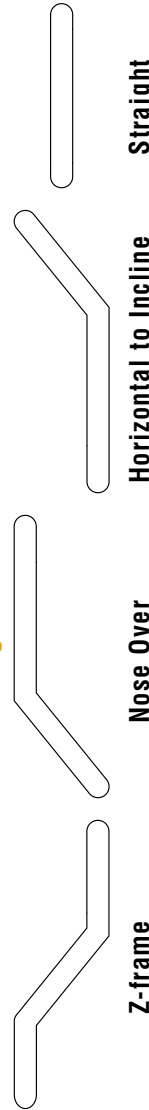


**Rack and Pinion
Belt Tensioning**



W = Conveyor Belt Width Dim = in (mm)

Configurations Available



STANDARD MODELS



STANDARD OPTIONS

Nose Bar Tail Section

- Widths up to 48" (1,219 mm)
- Available at non-driven ends for small part transfers



Sidewall Cleated Belts

Used for small part handling



Adjustable Angles

- 0° - 35° for Flat Belts
- 25° - 60° for Cleated Belts

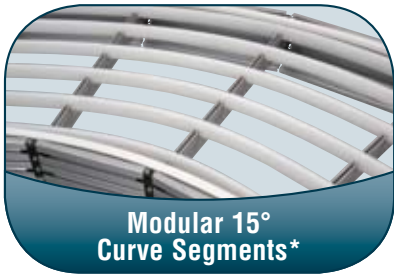


For more information, go to www.dorner.com. Call 800.397.8664 or 262.367.7600.

Due to the wide variety of drive set ups and applications, point of installation guarding is the responsibility of the end user.

Designed to be as flexible as your manufacturing requirements.

Z-frame to a curve • 1 Drive • 1 Belt
Zero Transfers



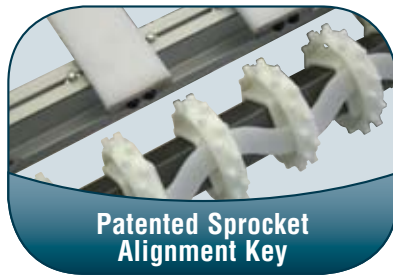
Modular 15°
Curve Segments*



Air and Wiring
Management Systems*



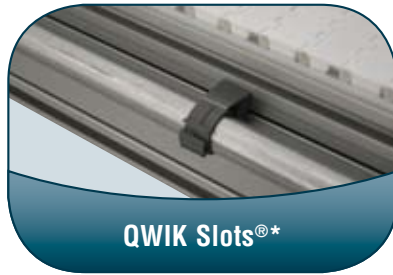
Completely
Contained Belt



Patented Sprocket
Alignment Key



Integrated Low
Voltage Wire Way*



QWIK Slots®*



Fully
Adjustable Guiding



Nose Bar
Transfer Option



1" and 3"
Side Guiding



1" and 3"
Cleats

* 5200 Series only

Z-frame, Incline and Decline Options

Modular, Flexible and QWIK to meet current and future manufacturing requirements



QWIK Configuration

- Modularity enables simple configuration and reconfiguration
- Pre-engineered 15° curve segments make reconfiguration quick and easy
- Easy frame reconfiguration with no parts or drilling required

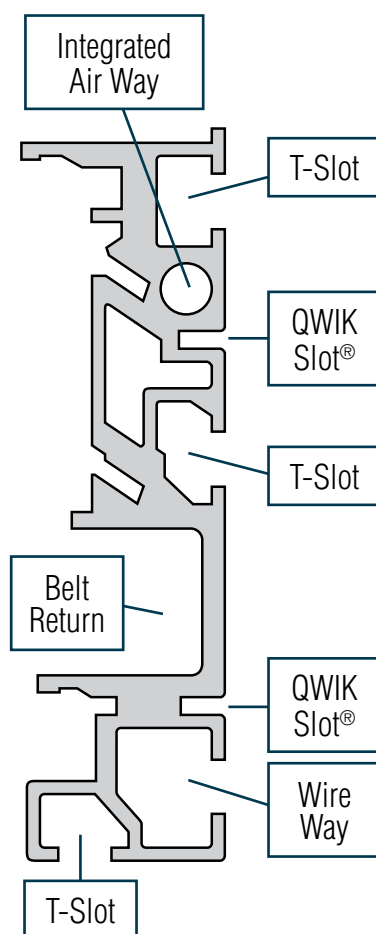
QWIK System Setup

- Automation-enabled for easy system set up and integration
- 5200 Series QWIK Slots® for easy mounting of controls and accessories
- 5200 Series wire way with snap-in cover for landing up to four wires
- 5300 Series patent pending SmartSlot™ system allows self-tapping screws to quickly attach automation accessories
- Sprocket alignment key for quick belt alignment

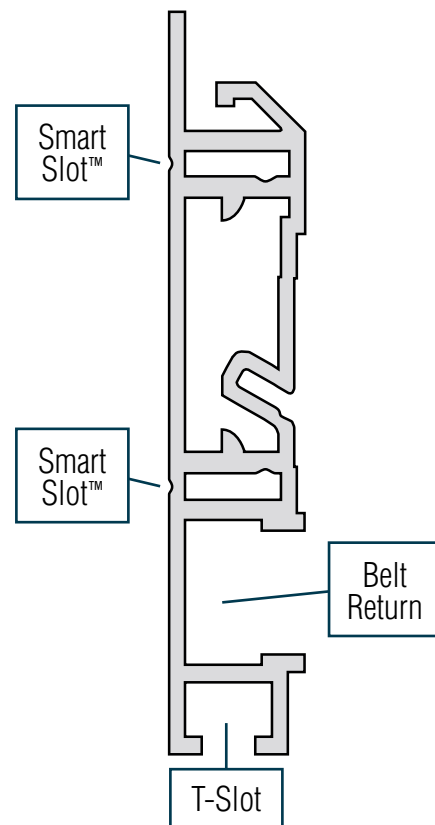
QWIK Bottom Line Results

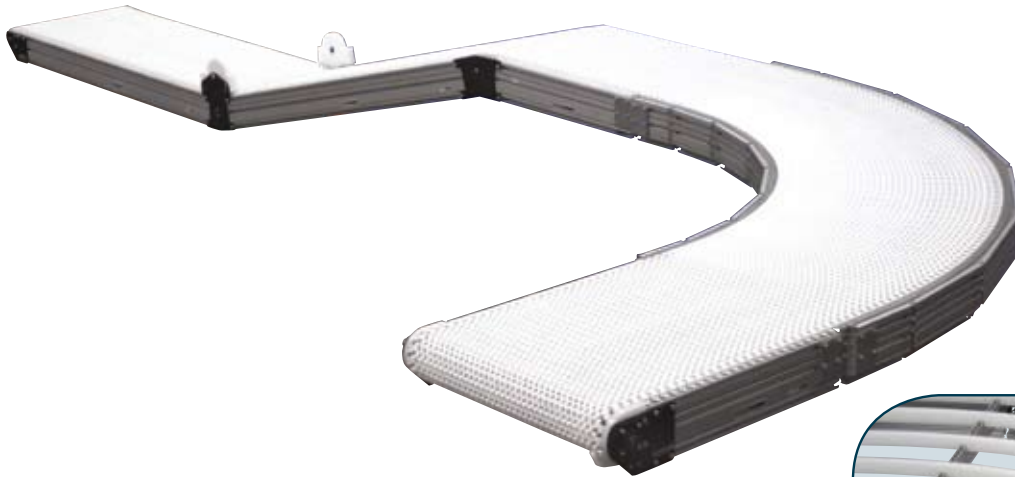
- Able to run at high speeds
- Fewer transfers for less product loss
- Lowest maintenance

5200 Series Side Rail Features



5300 Series Side Rail Features





Specifications:

- Straight Flat and Cleated Modular Plastic Belt models
- Curved Flat Modular Plastic Belt model
- Z-frame Flat and Cleated Modular Plastic Belt models
- Loads up to 1,000 lbs (453 kg)
- Belt speeds up to 250 ft/min (76 m/min)
- Belt Widths:
 - Curves: 8" (203 mm) to 36" (914 mm)
 - Straights: 8" (203 mm) to 60" (1,524 mm)
 - Z-frame Straights and Curves:
8" (203 mm) to 24" (610 mm)
- Conveyor Lengths: 36" (914 mm) to 999" (25,375 mm)
- **CE** models available



**Modular 15°
Curve Segments**



**Quick and Easy Frame
Reconfiguration**

Features & Benefits:

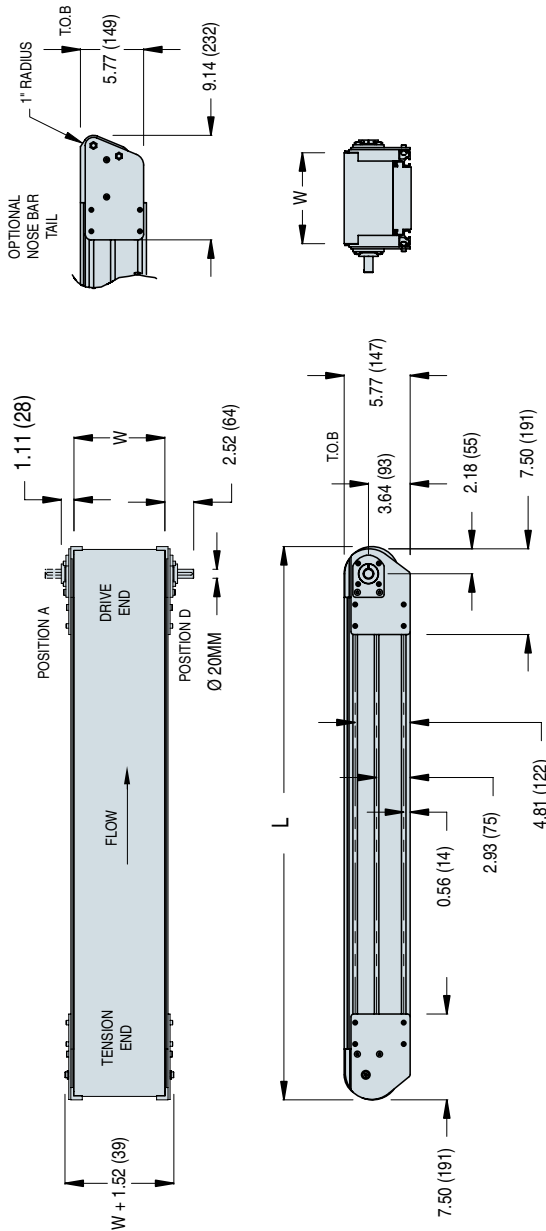
- Quick slots make mounting air and electrical lines simple
- Completely contained belt reduces pinch points
- Integrated wire way for low voltage wires
- Side rail design make reconfiguration quick and easy
- Open top frame simplifies belt maintenance and replacement
- Support stands mounted directly to side rail keep frame open for mounting accessories
- Nose bar tail (option)



**T-Slots and QWIK Slots®
for Accessory Mounting**



QWIK 5200 SERIES



W = Conveyor Belt Width Dim = in (mm)

STANDARD FEATURES

**Flush Top,
Low Side Frame**



**UHMW Belt
Tracking Guides**



**Support Stands Mount
Directly to Frame**



STANDARD MODELS



Flat Belt



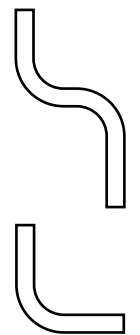
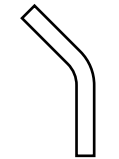
Cleated Belt



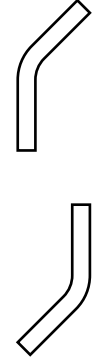
Curve Flat Belt



**Z-Frame and
Z-Frame to Curve**



Curve Configurations



Z-Frame Configurations

For more information, go to www.dorner.com. Call 800.397.8664 or 262.367.7600.
Due to the wide variety of drive set ups and applications, point of installation guarding is the responsibility of the end user.



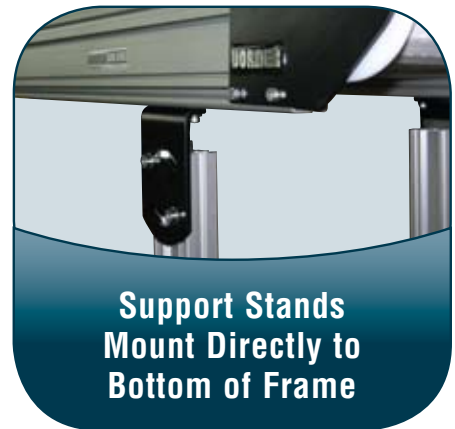
Specifications:

- Straight Flat and Cleated Modular Plastic Belt models
- Curved Flat Modular Plastic Belt model
- Loads up to 500 lbs (227 kg)
- Belt speeds up to 250 ft/min (76 m/min)
- Belt Widths:
 - Curves: 8" (203 mm) to 36" (914 mm)
 - Straights: 6" (152 mm) to 36" (914 mm)
- Conveyor Lengths: 36" (914 mm) to 999" (25,375 mm)
- CE models available



Features & Benefits:

- Two (2) SmartSlot™ mounting locations for ¼ - 20 or M6 - 1.0 fasteners
- Completely contained belt eliminates catenary sag and reduces pinch points
- High speed 1" diameter* nose bar drive and idler tails
- Downward facing T-Slot for support stand mounting flexibility and dust proof design
- Flush top for true low side conveying accommodates products wider than the belt
- Open top frame simplifies belt maintenance and replacement
- Sprocket alignment key provides continuous sprocket alignment for quick belt assembly
- Support stands mount directly to bottom of conveyor rail keeping side rails open for mounting accessories



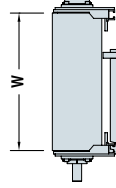
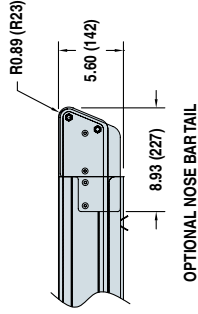
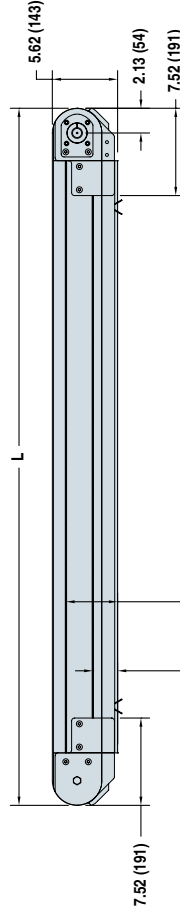
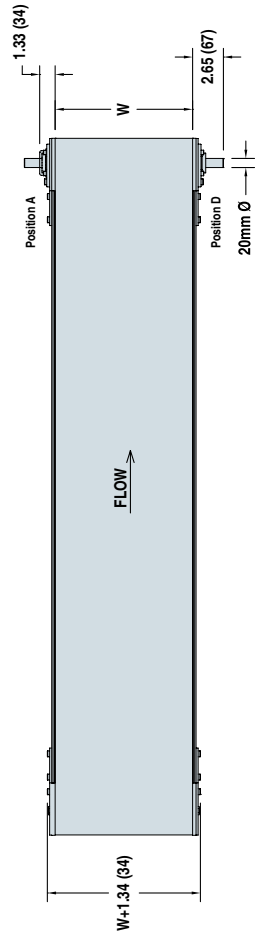
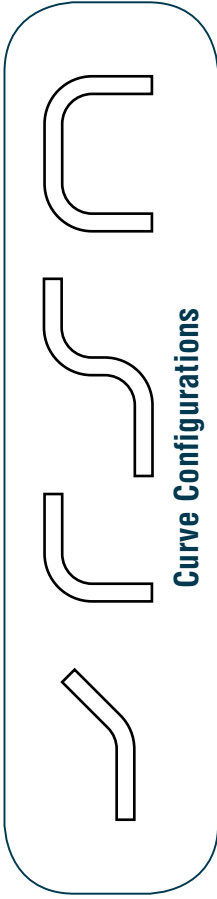
**Support Stands
Mount Directly to
Bottom of Frame**



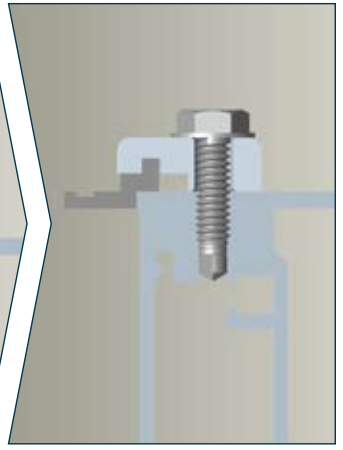
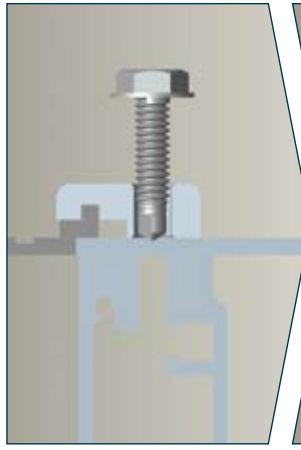
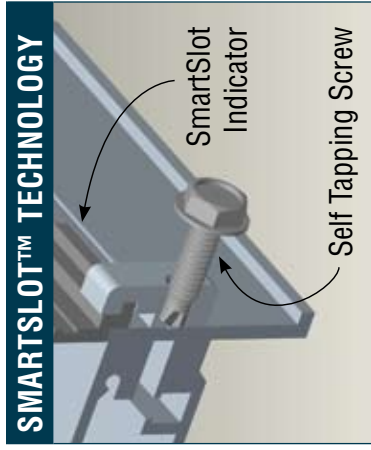
Nose Bar Tail



DUSTPRUF™ 5300 SERIES



W = Conveyor Belt Width **Dim** = in (mm)



STANDARD MODELS



For more information, go to www.dorner.com. Call 800.397.8664 or 262.367.7600.
 Due to the wide variety of drive set ups and applications, point of installation guarding is the responsibility of the end user.

6200 SERIES



Specifications:

- Flat Belt End Drive, Cleated Belt End Drive and Center Drive models
- Loads up to 120lbs (54kg)
- Belt speeds up to 255 ft/min (78 m/min)
- Belt Widths: 1.75" (45 mm) to 12" (305 mm)
- Conveyor Lengths: 2' (610 mm) to 12' (3,658 mm)
- 1" (25 mm) diameter head and tail pulleys
- One piece stainless steel frame
- CE models available

Features & Benefits:

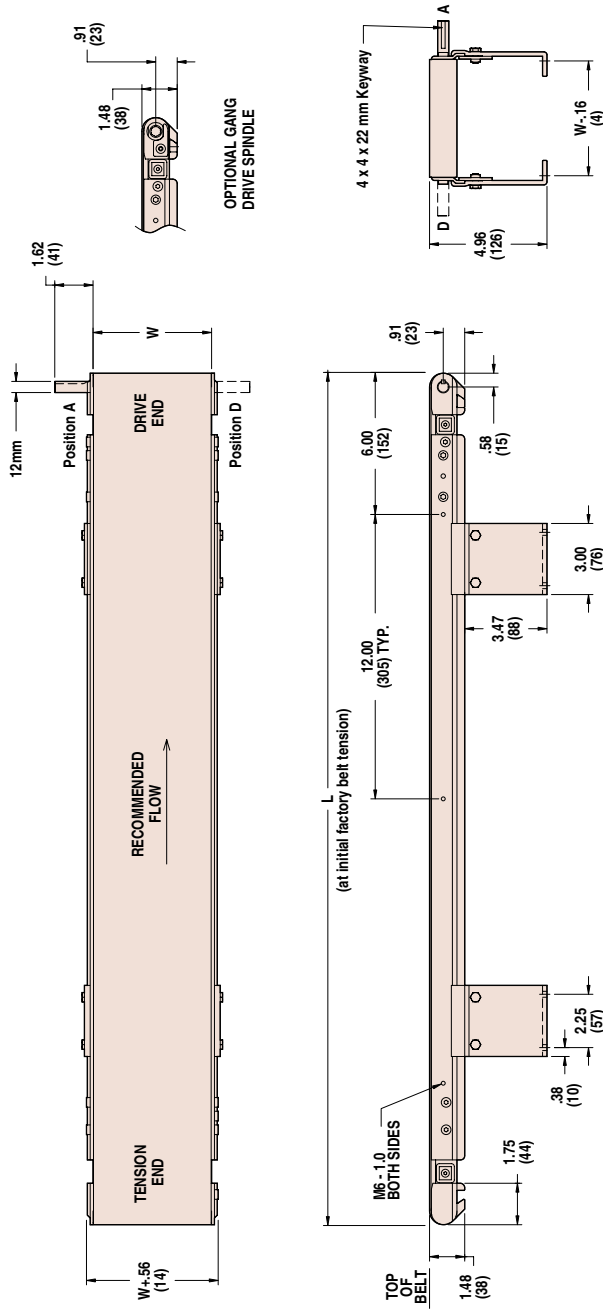
- Quick 5-minute belt change for increased uptime
- Rack and pinion design offers fast single-point belt tensioning
- Mild steel head and tail plates with black nitrite finish
- V-groove frame with guided belt ensures accurate tracking
- Wedge-Lok™ system for impact protection
- Streamlined design fits where other conveyors do not
- Low maintenance sealed bearings in both head and tail pulleys
- Quick-clamp rail for easy mounting of bolt-on accessories
- Durable 0.25" (6 mm) thick bottom wiper
- Motion sensor switch ready



**Wedge-Lok™
System**



**V-Guided
Belt Tracking**



W = Conveyor Belt Width Dim = in (mm)

STANDARD OPTIONS

Gang Drive Pulleys

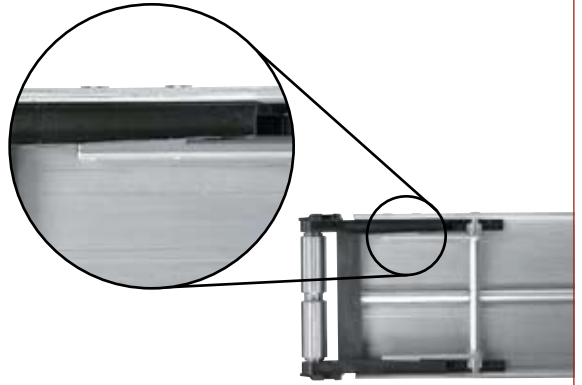
allow you to drive multiple conveyors with one gearmotor



SPECIAL FEATURES

Wedge-Lok™ Protection

protects the conveyor end from damage by locking the pulley end from movement on sharp impact



STANDARD MODELS



Flat Belt End Drive



Cleated Belt End Drive



Flat Belt Center Drive

For more information, go to www.dorner.com. Call 800.397.8664 or 262.367.7600.

Due to the wide variety of drive set ups and applications, point of installation guarding is the responsibility of the end user.



Specifications:

- Flat and Cleated Belt End Drive models
- Loads up to 60lbs (27kg)
- Belt speeds up to 264 ft/min (81 m/min)
- Belt Widths: 1.75" (45 mm) to 18" (457 mm)
- Conveyor Lengths: 2' (610 mm) to 18' (5,486 mm)
- 1.25" (32 mm) diameter head and tail pulleys
- Complete stainless steel frame, headplates and pulleys
- CE models available

Features & Benefits:

- Quick five-minute belt change for increased uptime
- Rack and pinion for fast single point belt tensioning
- 304 stainless steel frame, head and tail plates are polished to a #4 finish
- V-Groove frame with guided belt ensures accurate tracking
- Wedge-Lok™ system for impact protection
- Streamlined design fits where other conveyors do not
- Low profile, single piece frame for quick, easy cleaning
- Quick-clamp rail for easy mounting of bolt-on accessories
- A variety of FDA approved belting to meet application needs



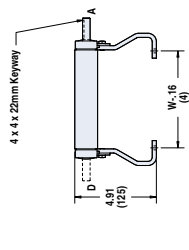
High Pressure Bearing Option



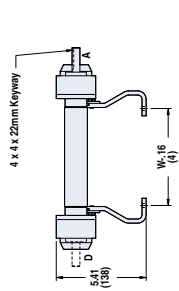
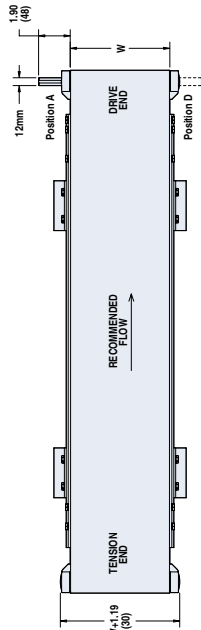
V-Guided Belt Tracking



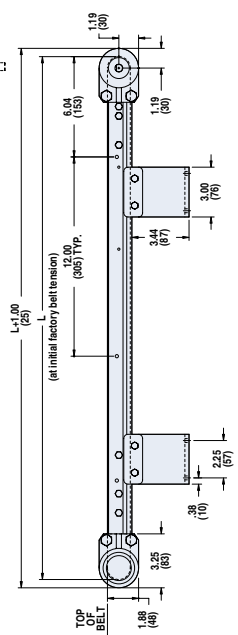
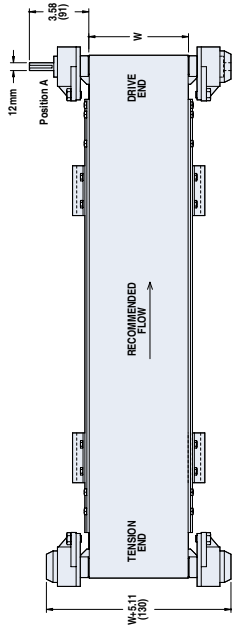
AQUAGARD® 7200 & 7300 SERIES



7200



7300



W = Conveyor Belt Width Dim = in (mm)

STANDARD MODELS



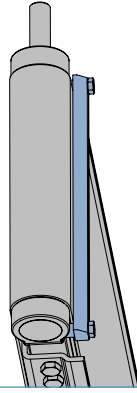
Flat Belt End Drive



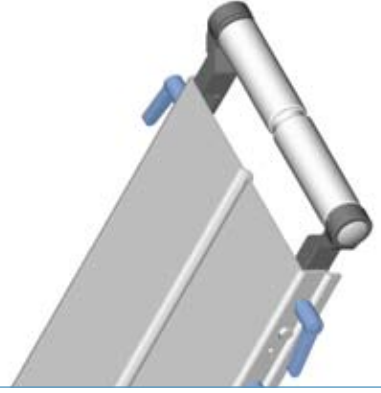
Cleated Belt End Drive

STANDARD OPTIONS

Optional Bottom Wiper



Optional Tool-less Belt Change Handles for Quick Belt Release



For more information, go to www.dorner.com. Call 800.397.8664 or 262.367.7600.
Due to the wide variety of drive set ups and applications, point of installation guarding is the responsibility of the end user.

AquaGard® 7350 & 7360 Series Conveyors

Improve your bottom line results with industry leading speeds, best in class product transfers, and ease of automation.

AquaGard®



Tailor Fit Accessories for Your Needs

Ease of Automation & Guiding



No Drilling with Innovative Key Hole & Mounting Rod



Low Voltage Wiring Accessories



Accessory Bar for Mounting Multiple Accessories



Fully Adjustable Single Rail



Fully Adjustable Twin Rail



High Side Guide

Profiles
p. 34

Belting
p. 35-37

Gearmotors
p. 38-39

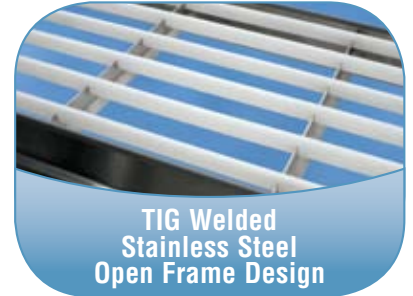
Controls
p. 40-41

Stands
p. 42-43

Accessories
p. 44

Maximum Flexibility

- Straights, Curve and Z-frame Modules
- 3 Product Transfers to Choose From
- No Drilling Required for Ease of Automation or Guiding
 - Attach controls, photo eyes, low voltage wire, & air tubing
 - Attach accessory bar for mounting several automation components
 - Attach any of standard guide packages to tailor fit conveyor



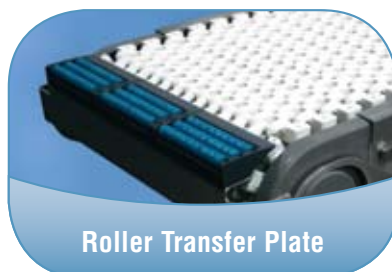
Increase Throughput

- Speeds up to 300 feet per minute
- Available in Straights, Curves and Z-frames
- 1" Nose Bar Tails
- Powered Transfer



Reduce Product Loss

- 1" Nose Bar Tails for small part transfer
- Powered Transfer for maintaining speeds through transfer
- Roller transfer plate for smooth product transfer in minimal added length





Specifications:

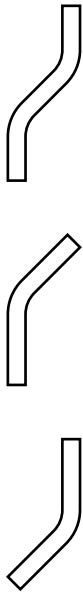
- Straight Flat and Cleated Modular Plastic Belt models
- Curved Flat Plastic Modular Belt models
- Z-frame Flat and Cleated Modular Plastic Belt models
- Loads up to 20 lbs/per square foot of belt (90 kg/m²)
- Belt speeds up to 260 ft/min (78.6 m/min)
- Belt Widths: 4" (102 mm) to 36" (914 mm)
- Conveyor Lengths: 36" (914 mm) to 83' (25,298 mm)
- All Welded Stainless Steel Frame
- CE models available



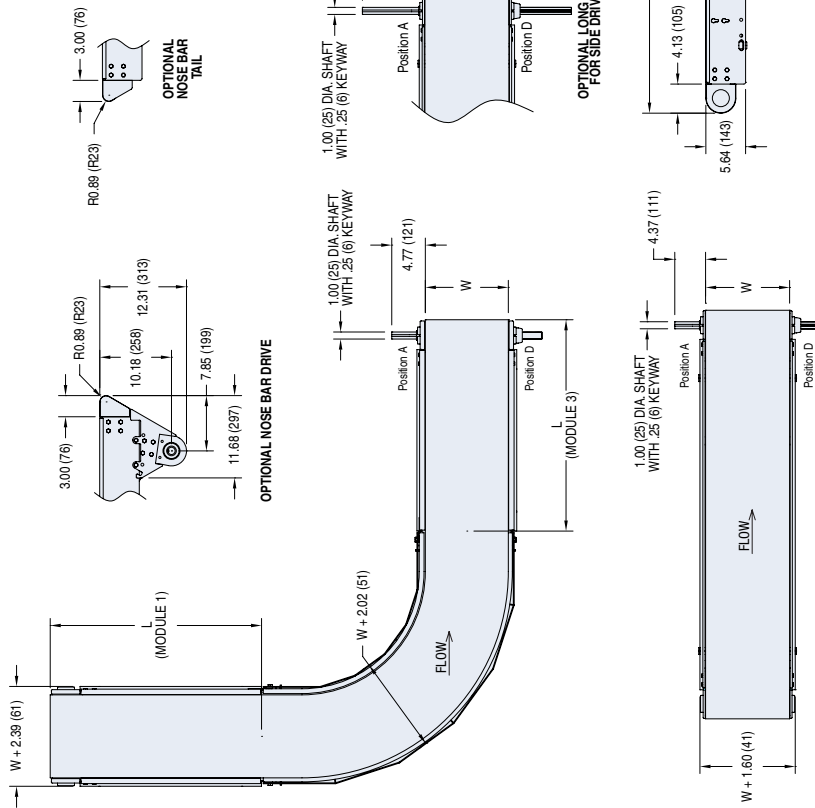
1" Nose Bar Tail

Features & Benefits:

- Frame is constructed of TIG welded 304 stainless steel and features an open design with minimal horizontal surfaces
- Solid UHMW wear strips located in welded cross members for durable belt support
- Mount controls and accessories fast with no drilling required includes adjustable guiding, photo eyes, low voltage wires, controls, and air tubing
- Flexible guiding packages for a variety of applications including fully adjustable guiding and twin rail, and high side
- Conveyor is suitable for wipe-down and occasional pressurized liquid spray cleaning up to 100 psi max



Z-Frame Configurations



W = Conveyor Belt Width Dim = in (mm)

STANDARD OPTIONS

Easy to Accessorize
No Drilling Required



Powered Transfer



Roller Transfer Plate



STANDARD MODELS



Flat Belt



Cleated Belt



Flat Belt Curve



**Z-Frame Flat,
Cleated & Curved**



Specifications:

- Flat Belt End Drive, Cleated Belt End Drive and Center Drive models
- Z-Frame Flat and Cleated Belt models
- Loads up to 500 lbs (453 kg)
- Belt speeds up to 300 ft/min maximum (91 m/min)
- Belt Widths: 4" (102 mm) to 52" (1,321 mm)
- Conveyor Lengths: 36" (914 mm) to 40' (12,192 mm)
- All Welded Stainless Steel Frame
- CE models available



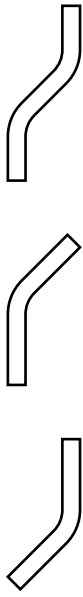
1" Nose Bar Tail

Features & Benefits:

- Frame is constructed of TIG welded 304 stainless steel and features an open design with minimal horizontal surfaces
- Hard coated anodized aluminum wear strips located in welded cross members for durable belt support
- Mount controls and accessories fast with no drilling required includes adjustable guiding, photo eyes, low voltage wires, controls, and air tubing
- Flexible guiding packages for a variety of applications including fully adjustable guiding and twin rail, and high side
- Conveyor is suitable for wipe-down and occasional pressurized liquid spray cleaning up to 100 psi max

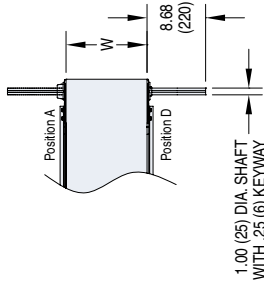


AQUAGARD® 7360 SERIES

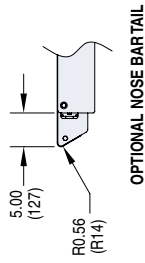
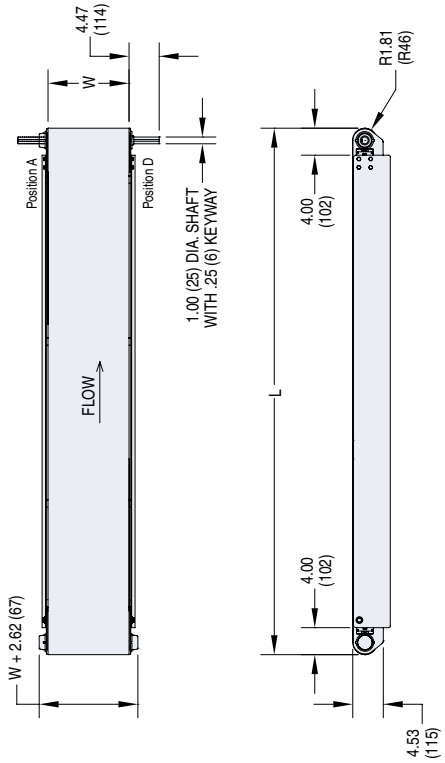
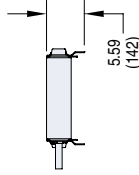


Z-Frame Configurations

OPTIONAL LONG SHAFT FOR SIDE DRIVE



OPTIONAL: CENTER DRIVE MODULE



OPTIONAL NOSE BARTAIL

W = Conveyor Belt Width Dim = in (mm)

STANDARD OPTIONS

Easy to Accessorize
No Drilling Required



Powered Transfer



Roller Transfer Plate



STANDARD MODELS



Flat Belt End Drive



Cleated Belt End Drive



Z-Frame Flat Belt



Z-Frame Cleated Belt

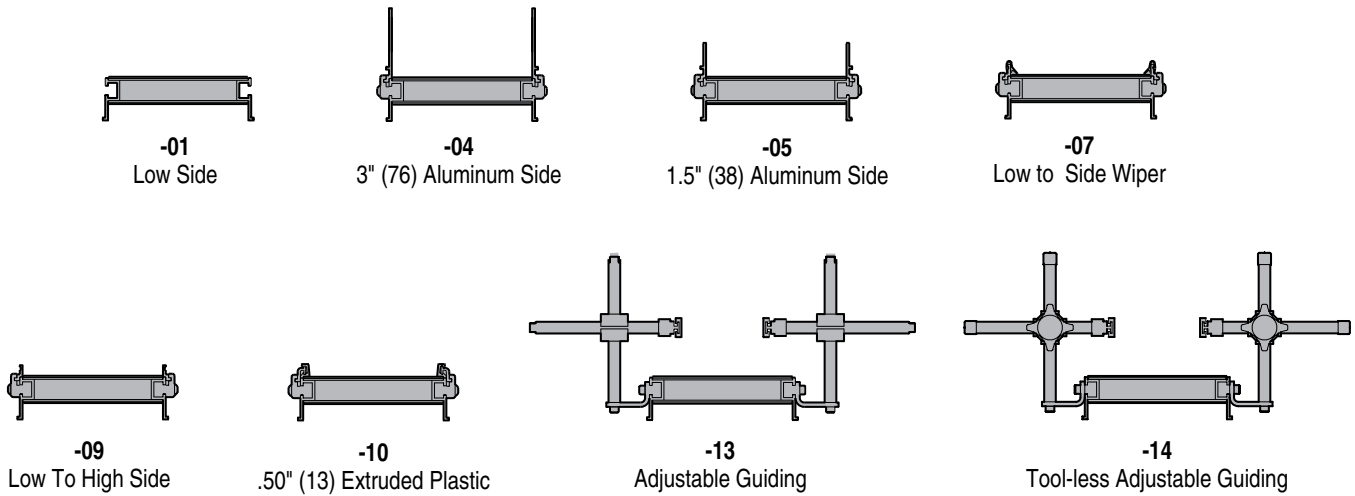
For more information, go to www.dorner.com. Call 800.397.8664 or 262.367.7600.

Due to the wide variety of drive set ups and applications, point of installation guarding is the responsibility of the end user.

PROFILES

Choosing the right profile is an important step in the overall conveyor selection process. Application factors to consider include product thickness, product stability and accuracy in relation to the conveyed product. Other requirements may include side transfers, merges and accumulating products. Guides can be drilled, trimmed and cut to fit custom applications.

(The featured 3D models were created using Dorner's 3D CAD Library. The 3D CAD Library is available to you at www.dornercad.com)



(2200/2300 profiles shown as examples)



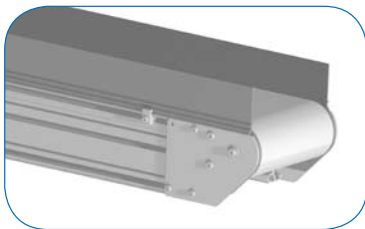
1/2" Side Guides



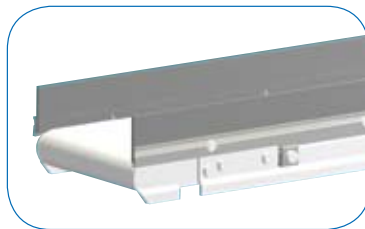
Adjustable Guide or
Photo Eye Brackets



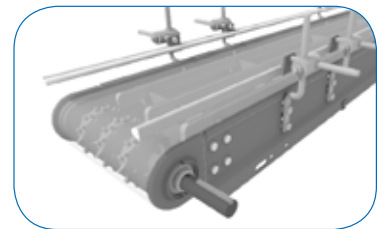
2" Side Guide



5200 & 5300 Profiles



6200 Profiles



7350 & 7360 Profiles

*Profiles are available on 2200/2300/MPB/3200/5200/5300/6200/
7200/7300/7350/7360 product lines. Contact Dorner for more information.*

Accumulation Belts



- FDA approved
- Packaging, clean room and inspection applications
- Chemical resistant



- Urethane impregnated
- Lowest coefficient of friction
- For low back-pressure applications

General Purpose Belt



- Most versatile belt offering chemical & cut resistance
- Combines general friction & accumulation characteristics



- For iDrive models only
- Urethane impregnated
- FDA approved
- Chemical resistant
- Lower No Load Torque

High Friction Belts



- FDA approved
- Packaging, clean room and inspection applications
- Chemical resistant



- Highest coefficient of friction
- Conveys clean & dry products up to 35° inclines / declines
- Maintains product location in horizontal applications

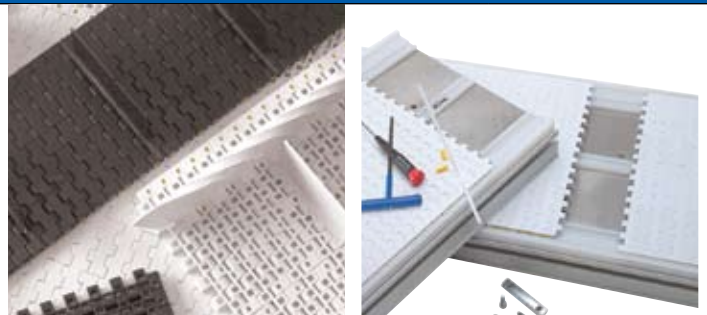
Electrically Conductive Belt



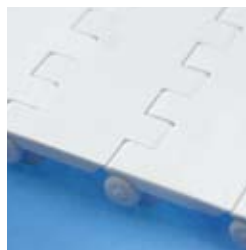
- Urethane impregnated
- For electronic and circuit board handling
- Popular choice for ink jet applications

MODULAR PLASTIC BELTING

Modular Plastic Belting is available in various flat top and cleated styles. Choose from open mesh, closed mesh, cleated and sidewall cleated belts with many options in frictions, temperature ratings and chemical resistance.



Friction Inserts



Flat Top Belts



Flush Grid Belts



Curve Belts



Cleated Belts

SPECIALTY BELTING



Material Handling Belts



17

ACCUMULATION BELT

- Low coefficient of friction
- Low cost alternative
- General purpose applications
- 3200/Z-Frame Compatible only



18

HIGH FRICTION BELT

- High coefficient of friction
- Low cost alternative
- General purpose applications
- 3200/Z-Frame Compatible only

Nose Bar Transfer Belts



53

ACCUMULATION BELT

- Low coefficient of friction
- FDA approved
- Packaging, clean room and inspection applications
- Chemical resistant

Also see Translucent Belt 53 below



19

HIGH FRICTION BELT

- High coefficient of friction
- Low cost alternative
- Packaging, clean room and inspection applications
- Chemical resistant

Heat Resistant Belts



50

- 358° F (180° C) maximum product temperature
- Works on low profile conveyors



51

- 600° F (316° C) maximum product temperature
- 0.18" (5mm) square mesh
- UV curing applications
- Increased airflow around product

Translucent Belt



53

- Back-lit applications
- Can be used with 2200 Series Nose Bar Transfer Tail

Also see Nose Bar Transfer Belt 53 above



FDA Sealed Edge Belts



54

- FDA approved
- Chemical resistant
- Low coefficient of friction
- Sanitary applications



55

- FDA approved
- Chemical resistant
- High coefficient of friction
- Sanitary applications

FDA Encased Belts



68

- FDA approved
- Enclosed in Urethane for added sanitary protection
- Low coefficient of friction



69

- FDA approved
- Enclosed in Urethane for added sanitary protection
- High coefficient of friction



Cut Resistant Belts



56

- Oily product release
- Metal stamping applications



57

- Felt-like surface texture
- Dry metal stamping
- Glass & ceramic handling



58

- Very good chemical resistance
- Cross-linked urethane surface

Electrically Cond. Belt



63

- Static conductive thru belt
- Low coefficient of friction
- Electronics & circuit board handling

Color Contrasting Belts



59

- Hides over spray from ink jet applications



60

- FDA approved
- Chemical resistant
- Low coefficient of friction
- Sanitary applications
- Can be sealed with white edge



61

- FDA approved
- Sanitary applications

High Friction Belts



64

- Rough top surface
- Product cushioning
- Incline / decline applications

Chemical Resistant Belts



65

- Very good cut resistance
- Excellent product release
- Low coefficient of friction
- FDA approved



66

- Good cut resistance
- Metal stamping applications

Cleated Low Friction Belt



67

- Excellent product release
- Compatible with standard cleat types
- To specify low friction belt, consult factory for part number

Solid Urethane Belt



70

- USDA approved
- FDA approved
- Wet applications

GEARMOTORS & MOUNTING PACKAGES

Gearmotors can be mounted to the conveyor with these standard mounting packages. Each package allows several position options and is available in both 90° and Parallel gearmotor configurations allowing you great flexibility. Mounting packages that utilize timing belts and pulleys also provide a wide range of belt speed options.

(The featured 3D models were created using Dorner's 3D CAD Library. The 3D CAD Library is available to you at www.dornercad.com)

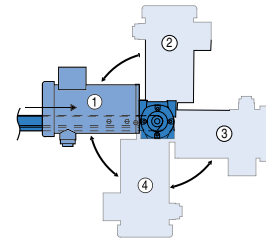


SIDE MOUNTS



Side mounts couple the conveyor and gearmotor with a flexible coupling or directly. Used for taller parts or where space below the conveyor is limited.

90° Gearmotor Orientations

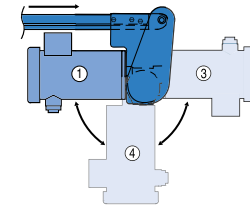


BOTTOM MOUNTS

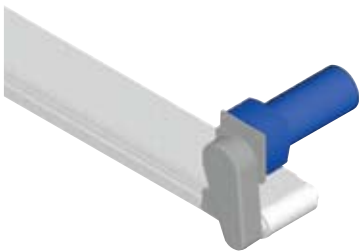


Bottom mounts utilize timing belts and pulleys for a wide variety of belt speed options. Used for taller parts and provides the most compact package.

90° Gearmotor Orientations

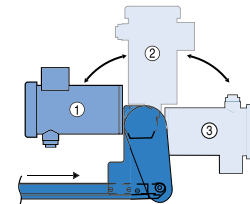


TOP MOUNTS



Top mounts utilize timing belts and pulleys for a wide variety of belt speed options. Used for table top mounts or where space below the conveyor is limited.

90° Gearmotor Orientations

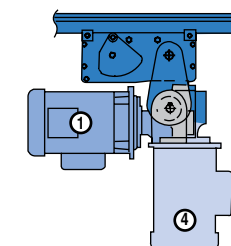


CENTER MOUNTS



Frees up both ends of conveyor for machine interface and maintenance free belt take-up.

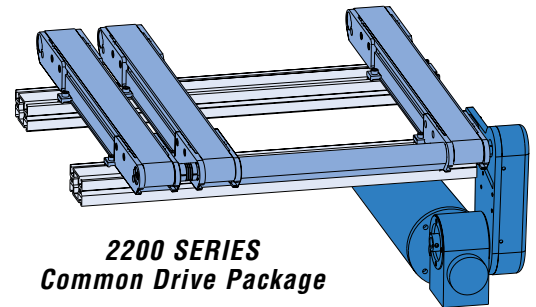
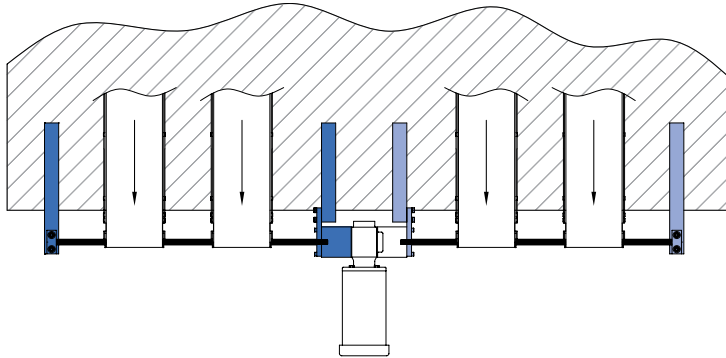
90° Gearmotor Orientations



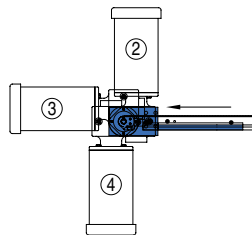
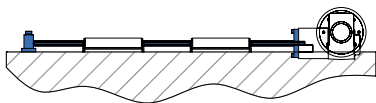
GEARMOTORS & MOUNTING PACKAGES

MULTIPLE CONVEYOR DRIVE PACKAGES

Used to drive multiple conveyors with one gearmotor

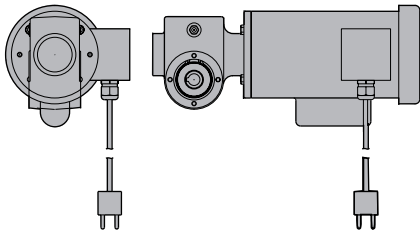


2200 SERIES
Common Drive Package

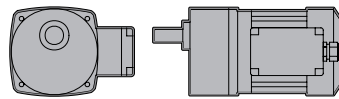


6200 and 4100 Series
Bolster Mount Gang Drive Package

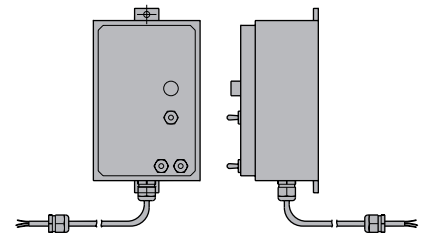
GEARMOTORS & CONTROLS



90° Gearmotors



Parallel Shaft Gearmotors



Variable Speed Controllers

Dorner has a Gearmotor and Controller to suit your needs:

- 1 Phase
- 3 Phase
- 60 Hz
- 50 Hz
- 115 V
- 208 - 230 / 460V
- 400 V
- Fixed Speed
- Variable Speed
- DC
- Variable Frequency
- Pneumatic
- High Friction
- CE

Supporting
the
AquaGard®
Line of Conveyors

- Washdown - White Epoxy
- Washdown - Stainless Steel



MANUAL MOTOR STARTERS

VFD Motor Control – Single Input Interface



- Variable frequency drive
- 0.5 HP, 2.4 Amp output
- 115V single phase input voltage
- 230V three phase output
- Motor overload protection
- Nema 1 enclosure
- Quick disconnect motor cord
- One input location for control devices
- Quick disconnect plug for control devices
- Internal terminals for hardwired PLC or machine interface

VFD Motor Control – Dual Input Interface



- Variable frequency drive
- 115V/230V single phase input voltage
- 230V/460V three phase input voltage
- Motor overload protection
- Lockout/tagout disconnect
- Nema 12 enclosure
- Operator interface panel
- Quick disconnect motor cord
- Two input locations for control devices
- Quick disconnect plug for control devices
- Internal terminals for hardwired PLC or machine interface



Features & Benefits



Quick Disconnect Motor Cords

- No high voltage wiring
- Quick motor maintenance



Color Coded Quick Disconnect Input Devices

- No high voltage wiring
- Plug-n-play applications



Includes All Mounting Hardware

- No field modifications
- Quick start-up time



PHOTO EYE KITS



- 24V DC Retro Reflective Sensor
- Quick disconnect plug
- Includes reflector and mounting
- Fully adjustable mount for 2200/3200/5200 Series conveyors
- 2" and 5" adjustment height ranges

IN-LINE CORD EMERGENCY STOP KIT



- Push to stop/pull to start push button
- Plastic Nema 12 enclosure
- 115V single phase
- 1/2 hp (0.37 kW) and smaller motors
- Includes power and outlet cords
- Mounting for 2200/3200/5200 Support Stands
- Horizontal or vertical mount

JOG PUSH BUTTON KIT



- Momentary contact push button
- Plastic Nema 12 enclosure
- Quick disconnect receptacle
- Mounting for 2200/3200/5200 Support Stands
- Horizontal or vertical mount

PHOTO EYE BRACKET KITS



- Standard mounting for 18 mm barrel/nose mount photo-eyes
- Reflective version includes reflector
- Through beam mount version
- Fully adjustable mount for 2200/3200/5200 Series conveyors
- 2" and 5" adjustment height ranges

CONTROL STOP KIT



- Push to stop/pull to start maintained push button
- Plastic Nema 12 enclosure
- Quick disconnect receptacle
- Mounting for 2200/3200/5200 Support Stands
- Horizontal or vertical mount

LINKING CABLE KITS



- Quick disconnect cable for all control devices
- 2 meter and 5 meter lengths
- Includes mounting hardware for t-slots



Lockout / Tagout

- Keep operators safe
- Meet OSHA requirements



Photo Eye Brackets

- Mount any 18 mm barrel/nose mount device



All Devices are T-slot Mounted

- Application flexibility
- Ease of wiring

SUPPORT STANDS

INDUSTRIAL CONVEYOR SUPPORT STANDS & ACCESSORIES

Dorner offers the most complete conveyor support stand program available.

Features & Benefits

- Widths: 2 in to 48 in (51 mm to 1,219 mm)
- Heights: 6 in to 99 in (152 mm to 2,515 mm)
- Aluminum legs with four t-slots for accessory mounting
- Tops pivot +/- 90 degrees
- Solid steel conveyor mounting surfaces



Short Stands



A-Frame Stands



Tall Support Stands

Accessories

- Casters
- Diagonal bracing
- Fine adjustment kits
- Common mount bar for multiple conveyors
- Table top mounting kits
- Floor mounts



Fixed Height Stands



Adjustable Height Stands



Fully Adjustable Stands



Swivel Locking Casters



Quick Adjust Stands



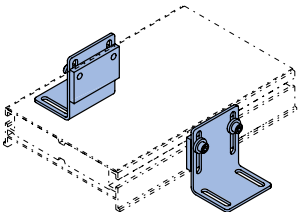
Multi-Tier Stands



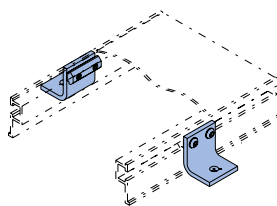
Single Post and Pillar Stands

CONVEYOR MOUNTING BRACKETS

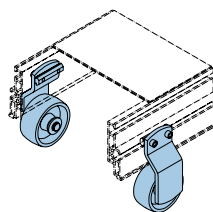
2200 and 3200 Series Adjustable Height Brackets



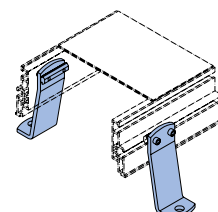
2200 and 3200 Series Table Top Mounting Brackets



Frame Mount Casters



Floor Mounts



SANITARY CONVEYOR SUPPORT STANDS & ACCESSORIES

Dorner offers the most complete line of conveyor support stands available.

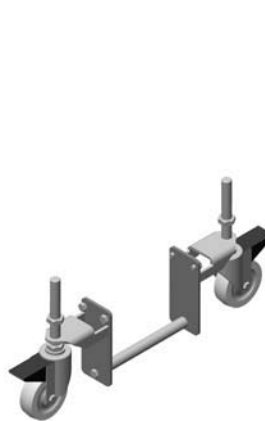
Features & Benefits

- Widths: 4 in to 60 in (102 mm to 1,524 mm)
- Heights: 7 in to 99 in (178 mm to 2,515 mm)
- Complete stainless steel construction with a 2B or #4 finish
- Vertical legs are formed channel or a closed 2" square tube
- Has +/- 2" of adjustment
- Fixed Foot self aligns 10° for sloped floors
- Horizontal Mount Version for Direct Level Conveyor Mounting
- Incline Mount Version for angled conveyor applications
- Designed for Washdown Environments

AquaGard®

Accessories

- Casters
- Diagonal bracing
- Floor Anchor Kits
- Ceiling Supports



Low Height Support Stands



Tall Support Stands



Swivel Locking Casters



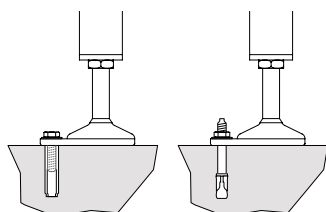
Adjustable Angle Support Stands



Formed Channel Support Stands



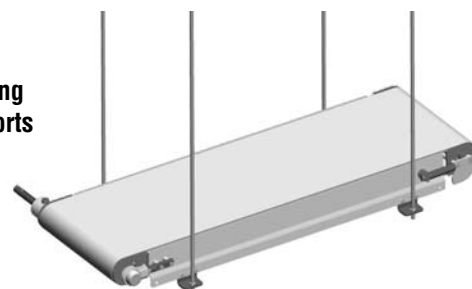
Closed 2" Square Tube Support Stands



Sanitary Floor Anchor Kits



Ceiling Supports



ACCESSORIES

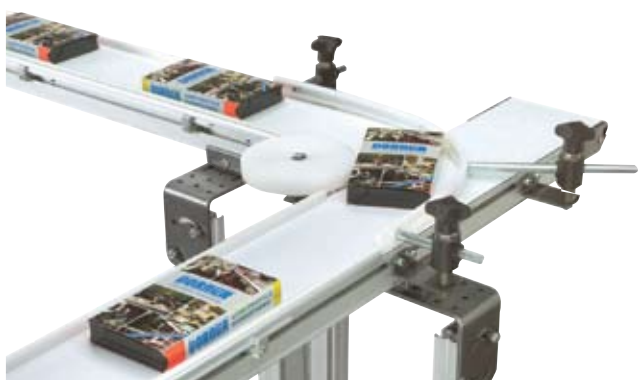
ADJUSTABLE LANE GUIDING



PULLEY TRANSFER PLATES



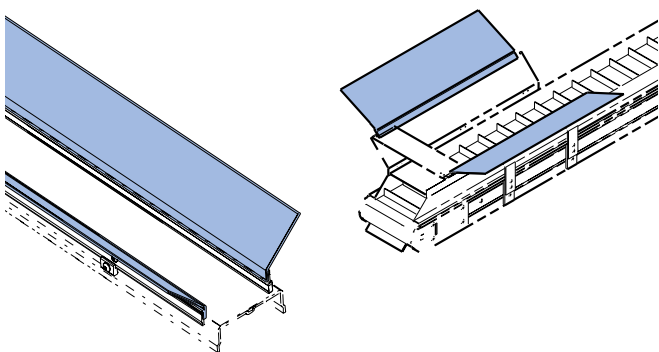
90° ADJUSTABLE TRANSFER



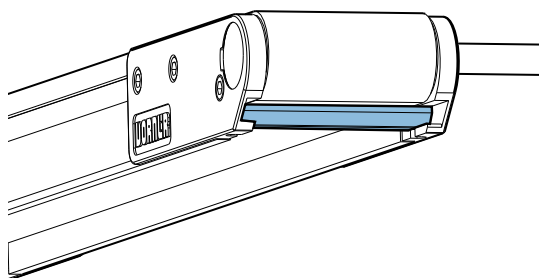
SIDE TABLES



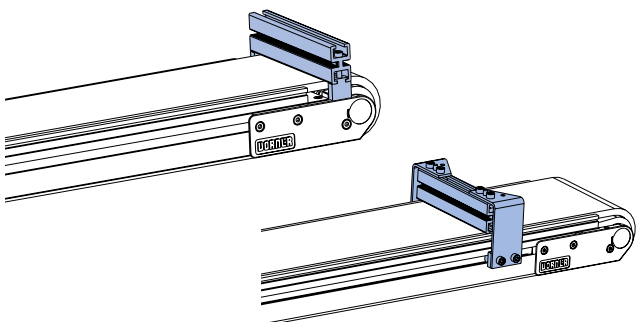
CHUTES AND GUIDES



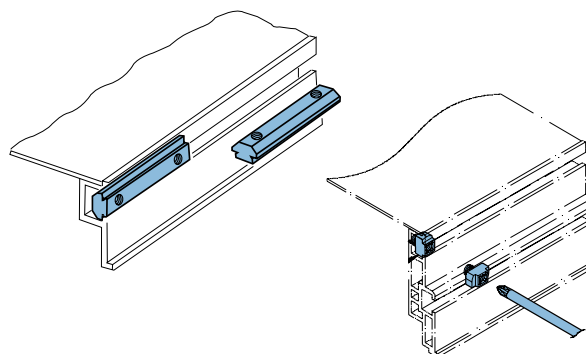
BOTTOM WIPER



STOPS



HARDWARE



MAGNETIC CONVEYORS

- Holds ferrous parts fast to the belt
- Ideal for elevation changes or part holding
- Can be used in upside down applications



VACUUM CONVEYORS



- Holds flat parts of any material fast to the belt
- Ideal for elevation changes or part holding
- Can be used in upside down applications

BACKLIT CONVEYORS

- Provides enhanced contrast between product and conveyor belt for visual inspection and vision system interface
- Parts can be stopped directly over the lit section or continue through uninterrupted
- Easier to see product details and edges



METAL FREE ZONES

- Single conveyor can pass directly through inspection equipment
- Continuous conveyor eliminates need to transfer product into and out of inspection equipment



ENGINEERED APPLICATIONS

COMMON DRIVEN CONVEYORS

- Saves money on maintenance by using fewer drives
- Creates single lanes for handling parts
- Conveyors can be of different widths and lengths
- Wide parts can be carried by each conveyor to create parts access from below



RECIRCULATING CONVEYORS



- Inspection area to return defective product to the originating process
- To change product flow direction after an assembly operation
- Increased line time for product curing or drying

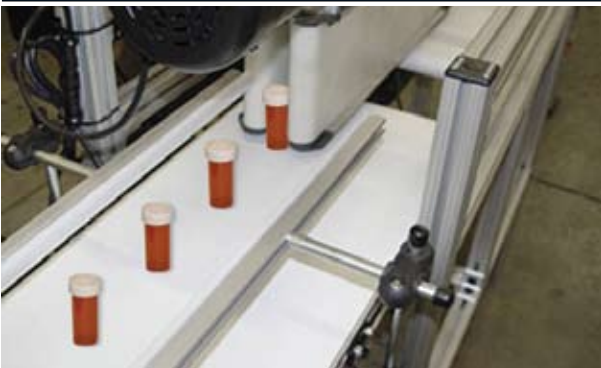


LANE GUIDING

- Accumulate large quantity of product
- Divert product across lanes
- Merge multiple lanes to a single lane
- Support unstable product



SMALL BOTTLE TRANSFER



- Use two 2200 on edge to transfer product over conveyor gaps
- V-guiding controls tracking



90° TRANSFER OF PRODUCTS



- No surface marring
- Minimizes friction
- Space savings

MULTIPLE BELT CONVEYORS

- Creates single lanes for handling parts
- Parts can traverse each belt to create part access from below



COUNTING PRODUCTS / BATCHING PRODUCTS



- Accelerate counting of products
- Separate equal batches of product for packaging or filling

INDEXING

- Even spacing of product
- Assembly operations
- Inspection of product sides



ENGINEERED APPLICATIONS

SERVO DRIVES

- Accurately stops the conveyor to provide precise part location
- Provides controlled acceleration and deceleration
- Great for very accurate assembly operations



SHAFT ENCODERS



- Senses shaft rotation or counts pulley revolutions
- Counts revolutions for accurate control of the belt in feeding or indexing applications



LIFT GATES

- Counterweights create easy opening of the gate
- Interlock switches and a timer allow the conveyor to clear before the gate is opened preserving full product control
- Product flow can automatically resume after the gate is closed



PIVOT CONVEYORS

- Interlock switches and a timer allow the conveyor to clear before the gate is opened
- Product flow can automatically resume after the conveyor is returned to the in-line position



FIXTURED CONVEYORS



- Provides product specific nesting
- Ideal for accurate part location in inspection or assembly applications

MOVING HEAVY PRODUCT

- Increase 2200 load capacity from 80 lbs to 300 lbs (36-135 Kg)
- Provides heavy load capacity in a low-profile package



FLUSH MOTOR MOUNTING PACKAGES



- Products wider than the conveyor frame can be moved

SPECIAL CLEATED CONVEYORS

- Contains small parts for elevation changes
- Creates pockets for controlled separation of product
- Available in urethane belt and plastic chain styles
- Fixed guides or integral sidewalls are available



ENGINEERED APPLICATIONS



COLOR CONTRASTING BELTS



- Enhanced contrast with product
- Easier product recognition

ELECTRICALLY CONDUCTIVE BELTS

- Protect product from electrical damage
- Safe environment
- Protect equipment and machinery



HIGH FRICTION BELTS



- Holding parts with flat surface on an incline or decline conveyor
- Holding slippery parts in position

LOW FRICTION BELTS FOR ACCUMULATION

- Product accumulation to maintain product flow to the next process
- No product marking or damage



From metal stamping to automated assembly, to food processing to packaging, we have the right conveyor for your application.



2200/2300 SERIES LOW PROFILE BELT CONVEYORS

Aluminum Extruded Construction

DustPruf

- Belt and modular belt options
- High performance conveying
- Streamlined machine interface
- Small parts transfers
- Efficient use of space
- Accumulation
- High temperatures
- Sharp parts
- Aesthetics
- iDrive **NEW**



3200 SERIES HEAVY DUTY BELT CONVEYORS

Aluminum Extruded Construction

- Straight, inclined and elevating configurations
- High performance conveying
- Main line, long lengths
- Heavy duty applications
- Fast belt speeds
- Aesthetics
- iDrive **NEW**



5200/5300 SERIES HEAVY DUTY CHAIN

Aluminum Extruded Construction

- Straight, curve, incline and decline configurations
- High performance conveying
- Main line, long lengths
- Heavy duty applications
- Fast belt speeds
- Part accumulation
- Automated and manual assembly



6200 SERIES LOW PROFILE BELT CONVEYORS

Stainless Steel Construction

- Tight space
- Basic conveying needs
- Wedge-Lok™ system
- Metal stamping
- Rugged environment
- Part accumulation
- Small part transfer



AQUAGARD® FAMILY OF SANITARY CONVEYORS

Stainless Steel Construction; 7200, 7300, 7350, and 7360

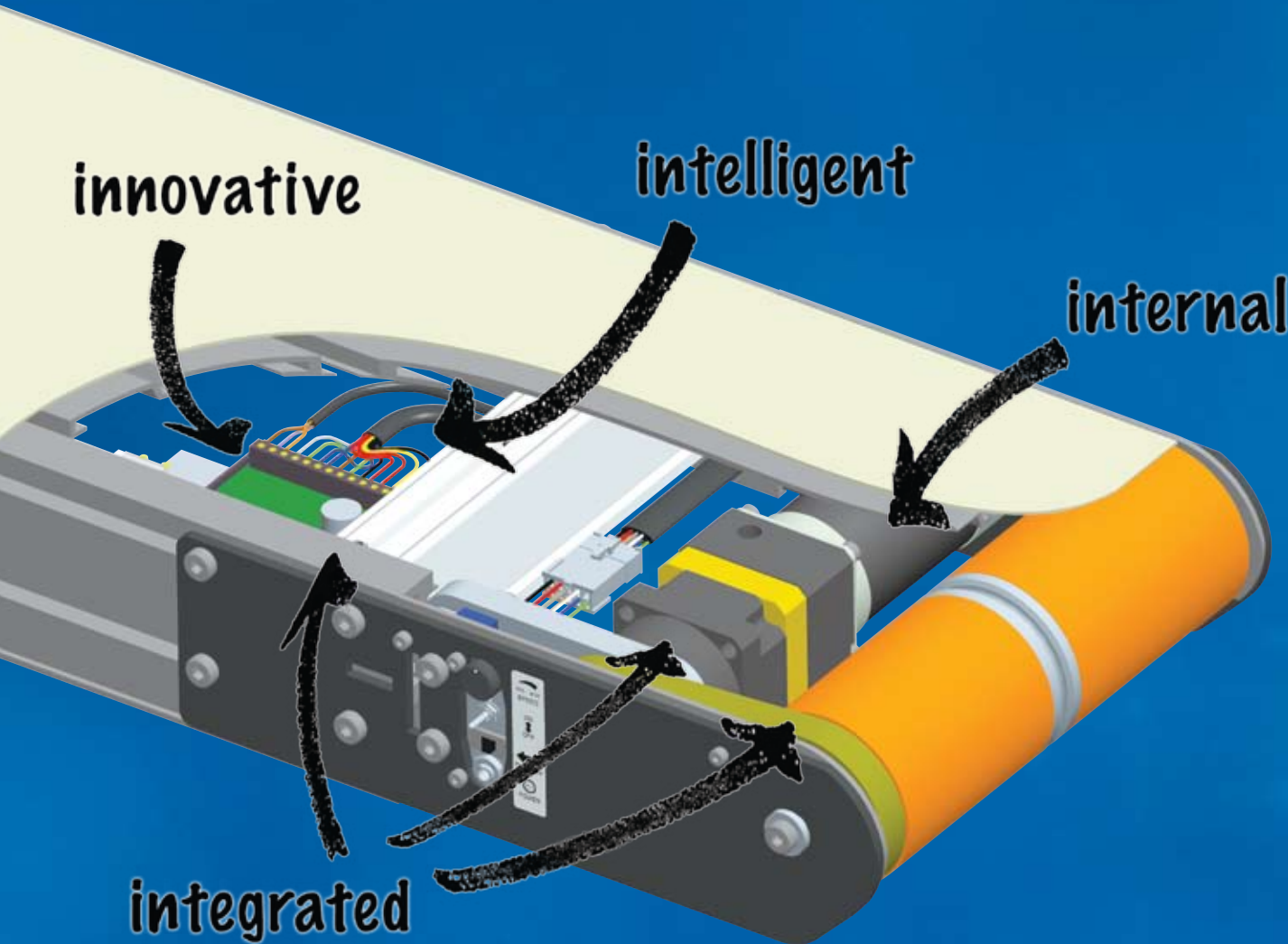
- Straight, curve, incline and decline configurations
- Belt and modular belt options
- Industry leading speeds
- Small parts transfers
- Easy to accessorize - No drilling required
- 10 guiding packages available



AQUAPRUF® FAMILY OF SANITARY CONVEYORS

Stainless Steel Construction; 7400, 7600 and Ultimate Series

- Straight, curve, incline and decline configurations
- Belt and modular belt options
- Wash-down and sanitary environments
- Clean rooms
- Chemical Resistance
- USDA, FDA, BISSC



innovative

intelligent

internal

integrated

www.dorner.com • info@dorner.com

DORNER MFG. CORP.
PO Box 20 • 975 Cottonwood Ave
Hartland, WI 53029 USA

INSIDE THE USA
TEL: 800.397.8664
FAX: 800.369.2440

OUTSIDE THE USA
TEL: 262.367.7600
FAX: 262.367.5827

Dorner Mfg. Corp. reserves the right to change or discontinue products and specifications with or without notice.
All products and services are covered in accordance with our standard warranty.

© Dorner Mfg. Corp. 2010. All Rights Reserved. **851-058 Rev. M** Printed in the U.S.A. 7M-RYL-1210