



2100 Series & 4100 Series Bottom Bar (Guard) or Bottom Wiper Selections

	WARNING	
<p>To prevent injury, make sure all electrical and pneumatic power sources have been disconnected before making any component replacements or adjustments.</p>		

NOTE: The tables on this page display the required bottom wipers/bars (guards) for each conveyor belt material used with 2100 Series and 4100 Series conveyors. When a factory provided belt is exchanged in the field with a **different type of belt**, be sure the appropriate bottom wiper or bottom bar is installed; refer to the Usage Chart.

Usage Chart

Belt Type	Wiper/Bar Style Required	
	Bottom Wiper	Bottom Bar*
/01	X	-
/02	X	-
/03	-	X
/04	-	X
/05	X	-
/06	-	X
/07	X	-
/08	X	-
/09	-	X

* A Bottom Bar must always be used with a Clipper[®] spliced conveyor belt

2100 Series Conveyors

Conveyor Width (Nominal)	Part Numbers**	
	Bottom Wiper (A)	Bottom Guard (B)
2" (44 mm)	203502	203602
3" (70 mm)	203503	203603
4" (95 mm)	203504	203604
5" (127 mm)	203505	203605
6" (152 mm)	203506	203606
7" (178 mm)	203507	203607
8" (203 mm)	203508	203608
10" (254 mm)	203510	203610
12" (305 mm)	203512	203612
15" (381 mm)	203515	203615
18" (418 mm)	203518	203618
21" (533 mm)	203521	203621
24" (610 mm)	203524	203624

4100 Series Conveyors

Nominal Conveyor Width	Part Numbers**		Quantity of Screws
	Bottom Wiper (C)	Bottom Guard (F)	
1"	41-1-50	41-1-51	1
2"	41-2-50	41-2-51	2
3"	41-3-50	41-3-51	3
4"	41-4-50	41-4-51	3
5"	41-5-50	41-5-51	4
6"	41-6-50	41-6-51	4
7"	41-7-50	41-7-51	5
8"	41-8-50	41-8-51	6
10"	41-10-50	41-10-51	7
12"	41-12-50	41-12-51	8

** For stainless steel parts, add an SS suffix to the part number listed.

Example: 41-6-50SS Stainless Steel Bottom Wiper for 6" wide 4100 Series Conveyor

<continued on next page>

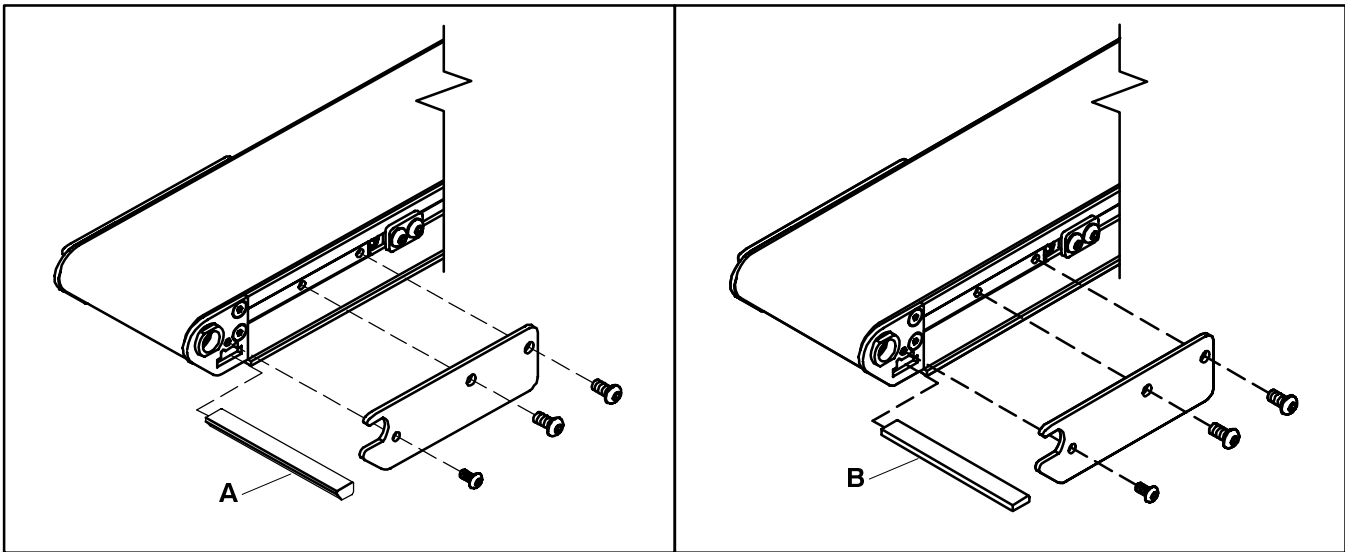


Figure 1: 2100 Series 5/16" (8 mm) Bevelled Bottom Wiper (left) or 3/16" (5 mm) Flat Bottom Guard (right)

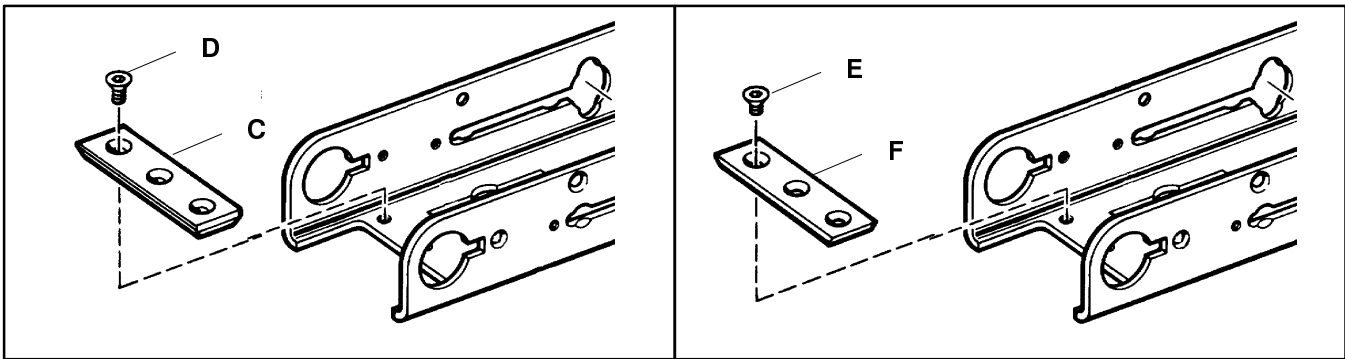


Figure 2: 4100 Series 7/32" Thick Bottom Wiper (left) or 7/64" Thick Bottom Bar (right)

NOTE: For 4100 Series conveyors, be sure to install the bottom wiper with the #10-32 x 0.31 flat head cap screws (903-105) (D) or bottom bar with the #10-32 x 0.19 flat head cap screws (903-102) (E). See usage chart on page 1.

DORNER[®]

Dorner Mfg. Corp. reserves the right to change or discontinue products without notice. All products and services are covered in accordance with our standard warranty. All rights reserved. © Dorner Mfg. Corp. 1998

DORNER MFG. CORP.

580 Industrial Drive, PO Box 20
Hartland, WI 53029-0020 USA

USA

TEL 1-800-397-8664 (USA)

FAX 1-800-369-2440 (USA)

Outside the USA:

TEL 1-414-367-7600, FAX 1-414-367-5827

DORNER

Arnold-Sommerfeld-Ring 2
D-52499 Baesweiler

Germany

TEL (02401) 80 52 90

FAX (02401) 80 52 93