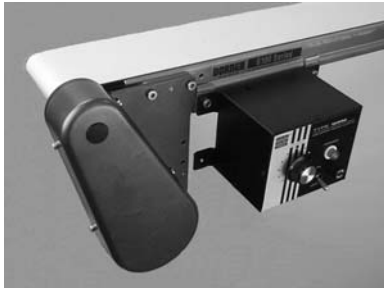


### 2100, 2200, 4100, 6200 and MPB Series Bottom Mount Drive Package for Light Load 60 Hz Gearmotors



## Table of Contents

Warnings – General Safety .....	2	Preventative Maintenance & Adjustment .....	9
Introduction .....	2	Required Tools .....	9
Product Description .....	3	Timing Belt Tensioning .....	9
Specifications .....	3	Timing Belt Replacement .....	9
Installation .....	6	Drive or Driven Pulley Replacement .....	10
Required Tools .....	6	Gearmotor Replacement .....	10
Mounting .....	6	Service Parts .....	12
		Return Policy .....	15

# Warnings – General Safety

	<b>WARNING</b>	
<p>The safety alert symbol, black triangle with white exclamation, is used to alert you to potential personal injury hazards.</p>		

	<b>DANGER</b>
<p>Climbing, sitting, walking or riding on conveyor will cause severe injury. <b>KEEP OFF CONVEYORS.</b></p>	

	<b>DANGER</b>
<p><b>DO NOT OPERATE CONVEYORS IN AN EXPLOSIVE ENVIRONMENT.</b></p>	

	<b>DANGER</b>
<p>Hazardous voltage will cause severe injury or death. <b>LOCK OUT POWER BEFORE WIRING.</b></p>	

	<b>WARNING</b>
<p>Gearmotors may be HOT. <b>DO NOT TOUCH Gearmotors.</b></p>	

	<b>WARNING</b>
<p>Exposed moving parts can cause severe injury. <b>LOCK OUT POWER</b> before removing guards or performing maintenance.</p>	

	<b>WARNING</b>
<p>Dorner cannot control the physical installation and application of conveyors. Taking protective measures is the responsibility of the user.</p> <p>When conveyors are used in conjunction with other equipment or as part of a multiple conveyor system, <b>CHECK FOR POTENTIAL PINCH POINTS</b> and other mechanical hazards before system start-up.</p>	

	<b>WARNING</b>
<p><b>MPB Series Conveyors are not reversible. Reversing creates pinch points which can cause severe injury.</b></p> <p><b>DO NOT REVERSE MPB SERIES CONVEYORS.</b></p>	

## Introduction

**IMPORTANT:** Some illustrations may show guards removed. Do NOT operate equipment without guards.

Upon receipt of shipment:

- Compare shipment with packing slip. Contact factory regarding discrepancies.
- Inspect packages for shipping damage. Contact carrier regarding damage.
- Accessories may be shipped loose. See accessory instructions for installation.

Dorner 2100 Series conveyors are covered by the following patent numbers: 5131529, 5174435, and corresponding patents and patent applications in other countries.

Dorner 2200 and MPB Series conveyors are covered by patent

number 5174435 and corresponding patents and patent applications in other countries.

Dorner 4100 Series conveyors are covered by patent number 3923148 and corresponding patents and patent applications in other countries.

Dorner 6200 Series conveyors are covered by patent number 6685009, 5174435, 6109427 and corresponding patents and patent applications in other countries.

Dorner's Limited Warranty applies.

Dorner reserves the right to make changes at any time without notice or obligation.

Dorner has convenient, pre-configured kits of Key Service Parts for all conveyor products. These time saving kits are easy to order, designed for fast installation, and guarantee you will have what you need when you need it. Key Parts and Kits are marked in the Service Parts section of this manual with the Performance Parts Kits logo

# Product Description

Refer to Figure 1 for typical components.

Typical Components	
A	Conveyor
B	Mounting Bracket
C	Gearmotor
D	Belt Tensioner
E	Cover
F	Timing Belt
G	Drive Pulley
H	Driven Pulley

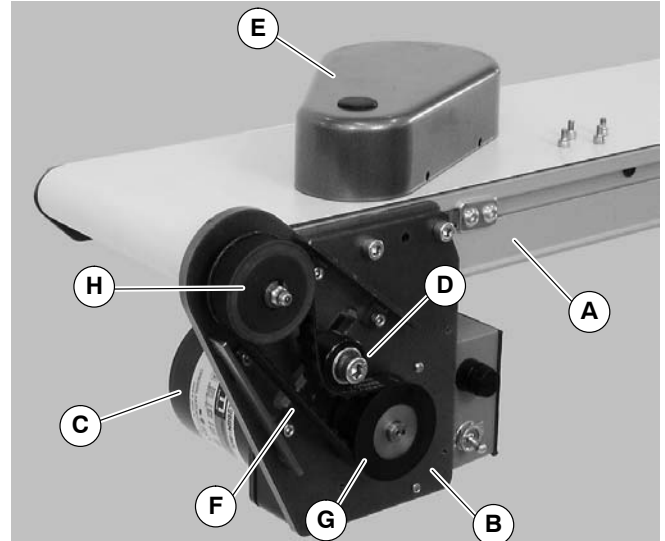


Figure 1

# Specifications

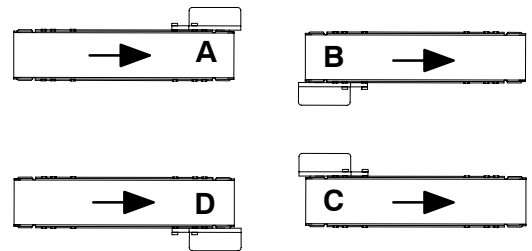
## Gearmotor Mounting Package Models:

Example:

2 M B P L WW A - 32 32

- Driven Pulley (see Belt Speed Tables)
- Drive Pulley (see Belt Speed Tables)
- Belt Type: - = flat belt, A through J = cleated belt
- Mount Position = A, B, C or D (see detail to the right)
- Conveyor Width Reference\*
- Gearmotor Type: L = Fixed Speed, V = Variable Speed
- Output Shaft Type: P = Parallel Shaft
- Mount Style: B = Bottom Mount
- Language Code: M = U.S. English

2 = 2100 Series Conveyor  
 22 = 2200 Series Conveyor  
 4 = 4100 Series Conveyor  
 6 = 6200 Series Conveyor  
 2P = MPB Series Conveyor



\* See "Ordering and Specifications" Catalog for details.

Table 1: Gearmotor Specifications

	Single Phase	DC Variable Speed
Output Power	0.03 hp (0.025 kw)	0.06 hp (0.04 kw)
Input Voltage	115 Volts A.C.	130 Volts D.C.
Input Frequency	60 Hz	N/A
Full Load Amperes	0.49 Amperes	0.48 Amperes
Gearmotor Ratios	15:1 and 36:1	18:1 and 60:1

# Specifications

**Table 2: Belt Speeds for Light Load Fixed Speed Parallel Shaft 60 Hz Gearmotors on 2100, 2200 Gang Drive, 4100 and 6200 Series Conveyors**

Belt Speed		Gearmotors*					Drive Pulley	Driven Pulley
Ft/min	M/min	Part Number	Gear Ratio	RPM	In-lb	N-m		
8	2.4	62M036PL4FN	36:1	42	36	4.1	22	32
12	3.7	62M036PL4FN	36:1	42	36	4.1	32	32
17	5.2	62M036PL4FN	36:1	42	36	4.1	32	22
24	7.3	62M036PL4FN	36:1	42	36	4.1	44	22
29	8.8	62M015PL4FN	15:1	100	15	1.7	32	32
41	12.5	62M015PL4FN	15:1	100	15	1.7	32	22

\* 115V, 1 phase, non-reversing

**Table 3: Belt Speeds for Light Load Fixed Speed Parallel Shaft 60 Hz Gearmotors on 2200 Series Conveyors (Excluding Gang Drive)**

Belt Speed		Gearmotors *					Drive Pulley	Driven Pulley
Ft/min	M/min	Part Number	Gear Ratio	RPM	In-lb	N-m		
13	4.0	62M036PL4FN	36:1	42	36	4.1	28	32
15	4.6	62M036PL4FN	36:1	42	36	4.1	28	28
21	6.4	62M036PL4FN	36:1	42	36	4.1	32	22
29	8.8	62M036PL4FN	36:1	42	36	4.1	44	22
35	10.7	62M015PL4FN	15:1	100	15	1.7	28	28
55	16.8	62M015PL4FN	15:1	100	15	1.7	44	28

\* 115V, 1 phase, non-reversing

**Table 4: Belt Speeds for Standard Load Fixed Speed Parallel Shaft 60 Hz Gearmotors on MPD Series Conveyors**

Belt Speed		Gearmotors *					Drive Pulley	Driven Pulley
Ft/min	M/min	Part Number	Gear Ratio	RPM	In-lb	N-m		
25	7.5	62M036PL4FN	36:1	42	36	4.1	28	32
28	8.6	62M036PL4FN	36:1	42	36	4.1	28	28
45	13.6	62M036PL4FN	36:1	42	36	4.1	44	28
57	17.3	62M036PL4FN	36:1	42	36	4.1	44	22

\* 115V, 1 phase, non-reversing

# Specifications

**Table 5: Belt Speeds for Light Load Variable Speed Parallel Shaft DC Gearmotors on 2100, 4100 and 6200 Series Conveyors**

Belt Speed		Gearmotors*					Drive Pulley	Driven Pulley
Ft/min	M/min	Part Number	Gear Ratio	RPM	In-lb	N-m		
1.0-8.2	.3-2.5	62M060PLD3DEN	60:1	42	65	7.4	22	32
1.4-12	.4-3.6	62M060PLD3DEN	60:1	42	65	7.4	32	32
4.8-40	1.5-12	62M018PLD3DEN	18:1	139	21	2.4	32	32
7-58	2.1-18	62M018PLD3DEN	18:1	139	21	2.4	32	22

\* 130VDC

**Table 6: Belt Speeds for Standard Load Variable Speed Parallel Shaft DC Gearmotors on 2200 Series Conveyors (Excluding Gang Drive)**

Belt Speed		Gearmotors*					Drive Pulley	Driven Pulley
Ft/min	M/min	Part Number	Gear Ratio	RPM	In-lb	N-m		
1.8-14	.5-4.5	62M060PLD3DEN	60:1	42	65	7.4	28	28
2.8-23	.8-7	62M060PLD3DEN	60:1	42	65	7.4	44	28
6-49	1.8-15	62M018PLD3DEN	18:1	139	21	2.4	28	28
9-77	2.8-23	62M018PLD3DEN	18:1	139	21	2.4	44	28

\* 130VDC

**Table 7: Belt Speeds for Standard Load Variable Speed Parallel Shaft DC Gearmotors on MPB Series Conveyors**

Belt Speed		Gearmotors*					Drive Pulley	Driven Pulley
Ft/min	M/min	Part Number	Gear Ratio	RPM	In-lb	N-m		
2.3-19	.7-5.9	62M060PLD3DEN	60:1	42	65	7.4	22	32
3.4-28	1-8.6	62M060PLD3DEN	60:1	42	65	7.4	28	28
5.3-44	1.6-13	62M060PLD3DEN	60:1	42	65	7.4	44	28
11-94	3.5-28	62M018PLD3DEN	18:1	139	21	2.4	28	28
16-148	5-45	62M018PLD3DEN	18:1	139	21	2.4	44	28

\* 130VDC

---

**NOTE: For belt speed other than those listed, contact factory for details.**

---

# Installation



## Required Tools

- Hex key wrenches:  
2.5 mm, 3 mm & 5 mm
- Torque wrench

### Installation Component List

I	Bottom Mount Assembly
J	Driven Pulley
K	Cover
L	M4 Socket Head Screws (4x)
M	Timing Belt
N	Key
O	M6 Socket Head Screws (2x)

## Mounting

	 <b>WARNING</b>
	<p>Exposed moving parts can cause severe injury. LOCK OUT POWER before removing guards or performing maintenance.</p>

	 <b>WARNING</b>
	<p>MPB Series Conveyors are not reversible. Reversing creates pinch points which can cause severe injury. DO NOT REVERSE MPB SERIES CONVEYORS.</p>

1. Typical components (Figure 2)

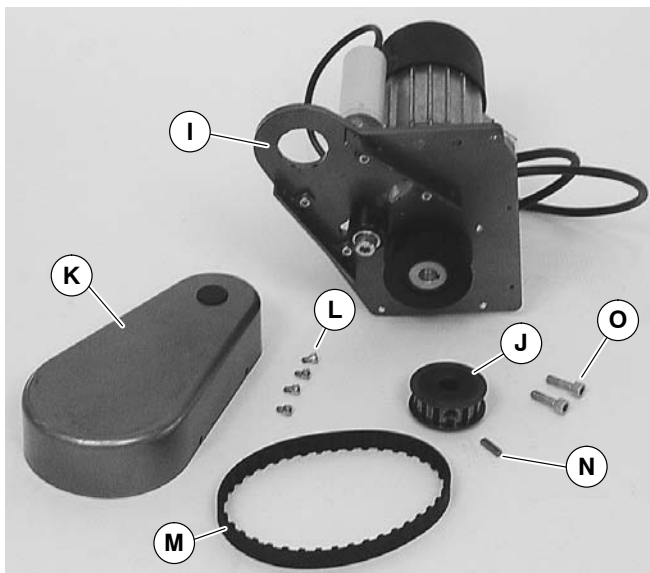


Figure 2

**NOTE: 6200 conveyor shown, other Series similar.**

2. Locate drive output shaft (P of Figure 3) and remove two screws (Q).

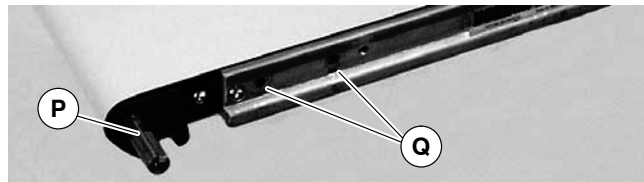


Figure 3

3. For your reference, the following five figures show the attachment area of complete mounting packages for the various conveyor series.

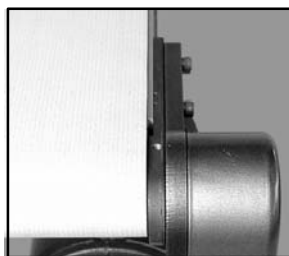


Figure 4 – 2200 Series

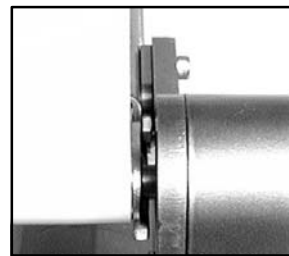


Figure 5 – 6200 Series

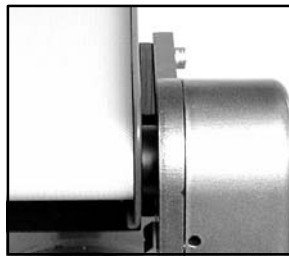


Figure 6 – 4100 Series

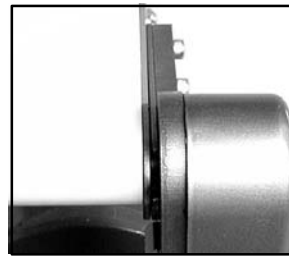


Figure 7 – 2100 Series

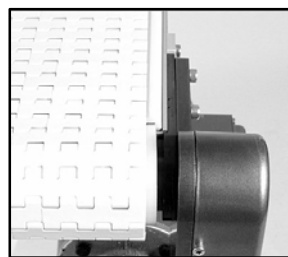


Figure 8 – MPB Series

- Attach mount assembly (I of Figure 9) with screws (O). Tighten screws to 80 in-lb (9 Nm).

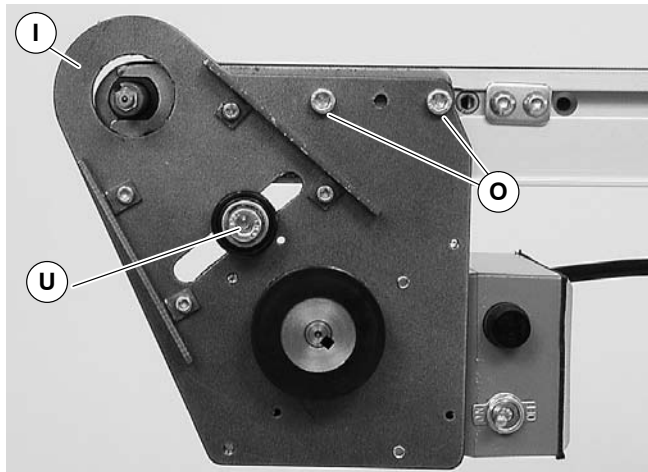


Figure 9



- Install key (N of Figure 10).

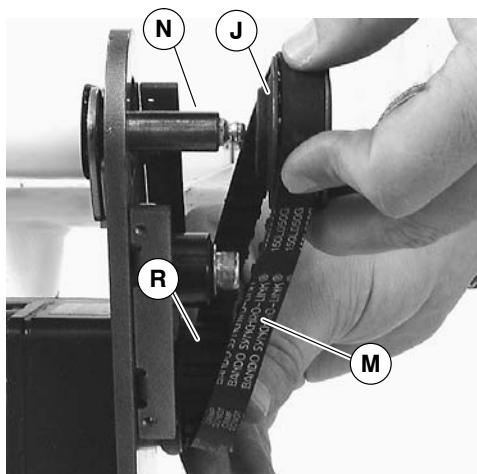


Figure 10

- Wrap timing belt (M) around driven pulley (J) and drive pulley (R). Install driven pulley (J) onto conveyor shaft.

- Remove cam bearing and spacer (U of Figure 9). Place the cam bearing and spacer (U of Figure 11) next to the driven pulley (J). Ensure the flanges of the driven pulley are aligned with the cam bearing. Tighten driven pulley set screws (T). This will allow for proper belt alignment while conveyor is in use. Replace cam bearing and spacer (U).

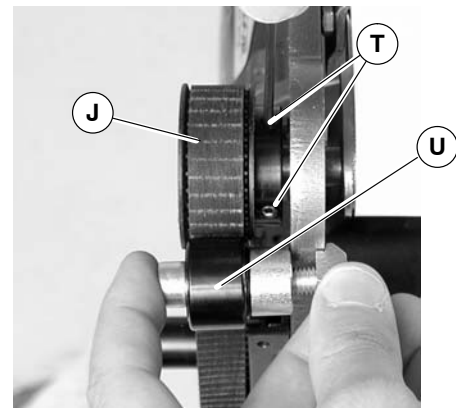


Figure 11

- Depending on direction of conveyor belt travel (1 or 2 of Figure 12), position timing belt tensioner (U) as shown. Tension timing belt to obtain 1/8" (3 mm) deflection for 1 lb (456 grams) of force at timing belt mid-point (V). Tighten tensioner screw to 106 in-lb (12 Nm).

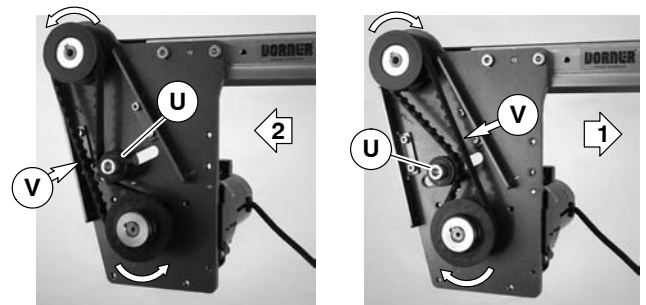


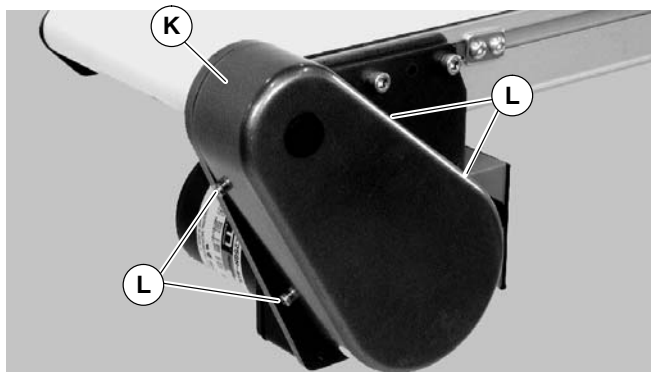
Figure 12

---

# Installation

---

9. Install cover (K of Figure 13) with four (4) screws (L). Tighten to 35 in-lb (4 Nm).



**Figure 13**



# Preventive Maintenance and Adjustment

## Required Tools

- Hex key wrenches:
  - 2.5 mm, 3 mm, 5 mm
- Straight edge
- Screwdriver (for terminal box screws)
- Torque wrench

## Timing Belt Tensioning



1. Remove four (4) screws (L of Figure 14) and remove cover (K).

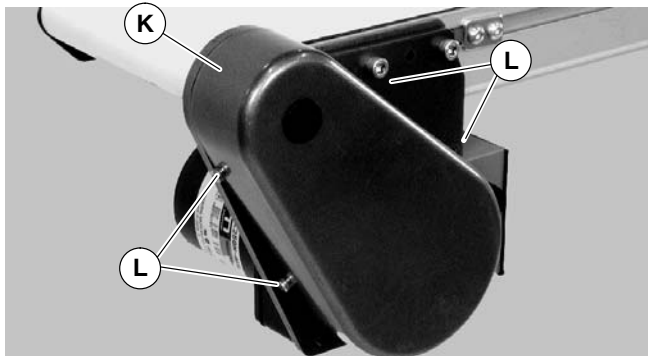


Figure 14

2. Loosen tensioner (U of Figure 15).

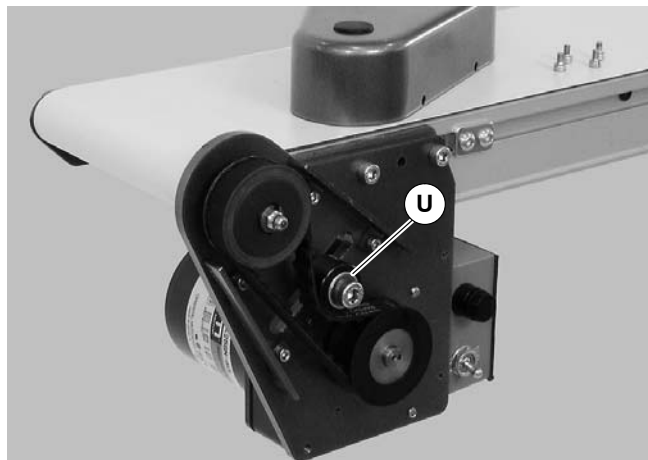


Figure 15

3. Depending on direction of conveyor belt travel (1 or 2 of Figure 16), position timing belt tensioner (U) as shown. Tension timing belt to obtain 1/8" (3 mm) deflection for 1 lb (456 grams) of force at timing belt mid-point (V). Tighten tensioner screw to 106 in-lb (12 Nm).

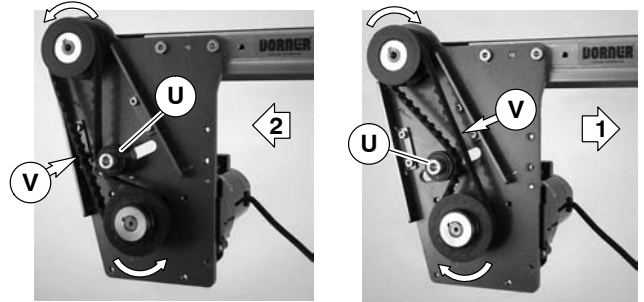
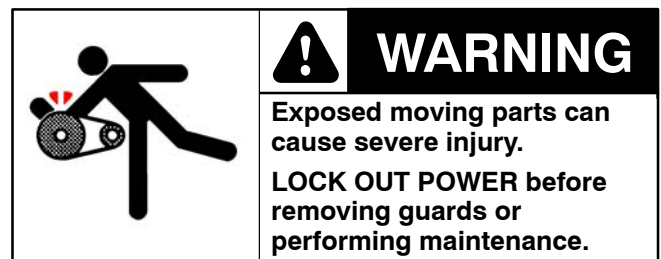


Figure 16

4. Install cover (K of Figure 14) with four (4) screws (L). Tighten screws to 35 in-lb (4 Nm).

## Timing Belt Replacement



1. Remove four (4) screws (L of Figure 14) and remove cover (K).
2. Loosen tensioner (U of Figure 15).
3. Remove timing belt (M of Figure 17).

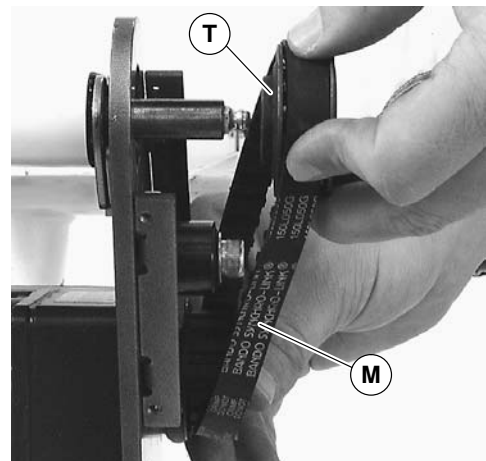




Figure 17

# Preventive Maintenance and Adjustment

**NOTE:** If timing belt does not slide over pulley flange, loosen driven pulley set screws (T of Figure 17) and remove pulley with belt. For re-installation, see steps 6 through 9 on page 7.

4. Install new timing belt.
5. Depending on direction of conveyor belt travel (1 or 2 of Figure 16), position timing belt tensioner (U) as shown. Tension timing belt to obtain 1/8" (3 mm) deflection for 1 lb (456 grams) of force at timing belt mid-point (V). Tighten tensioner screw to 106 in-lb (12 Nm).
6. Install cover (K of Figure 14) with four screws (L). Tighten screws to 4 Nm.

## Drive or Driven Pulley Replacement

	 <b>WARNING</b>
	Exposed moving parts can cause severe injury. <b>LOCK OUT POWER</b> before removing guards or performing maintenance.

1. Complete steps 1 through 3 of "Timing Belt Replacement" section beginning on page 9.
2. Loosen set screws and remove drive or driven pulley.

**NOTE:** If drive pulley (R of Figure 18) is replaced, wrap timing belt (M) around drive pulley and complete step 3.

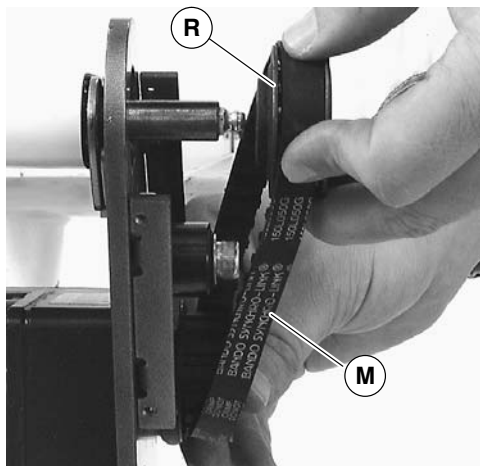




Figure 18

3. Complete steps 6 through 9 of "Installation" section on page 7.

## Gearmotor Replacement

	 <b>WARNING</b>
	Exposed moving parts can cause severe injury. <b>LOCK OUT POWER</b> before removing guards or performing maintenance.

	 <b>DANGER</b>
	Hazardous voltage will cause severe injury or death. <b>LOCK OUT POWER BEFORE WIRING.</b>

1. For single phase motor, unplug power cord from outlet.
2. For DC variable speed motor, unplug motor cord at disconnect (W of Figure 19).

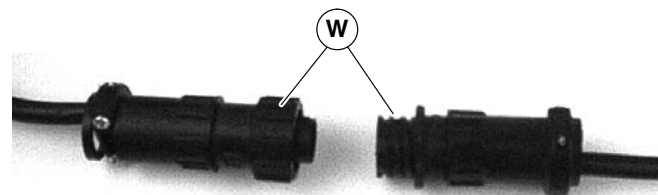


Figure 19

3. Remove four screws (L of Figure 14) and remove cover (K).
4. Loosen tensioner (U of Figure 15).
5. Remove timing belt (M of Figure 17).

# Preventive Maintenance and Adjustment

**NOTE:** If timing belt does not slide over pulley flange, loosen driven pulley set screws (T of Figure 20) and remove pulley with belt (M). For re-installation, see steps 6 through 9 on page 7.

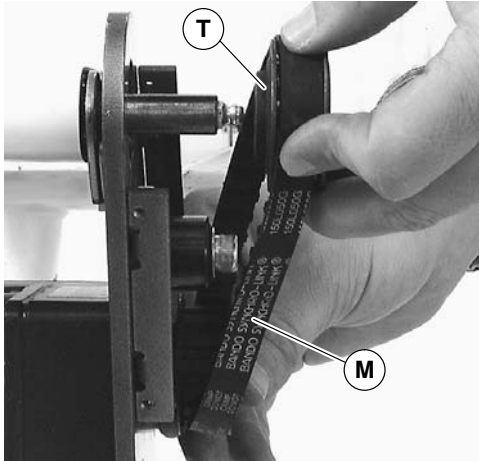


Figure 20

6. Loosen two (2) set screws (T of Figure 21). Remove drive pulley (R).

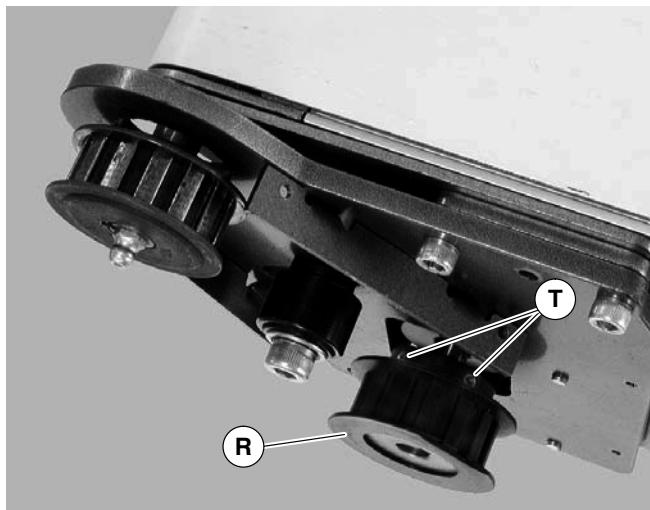


Figure 21

7. Remove four screws (X of Figure 22) and detach gearmotor.



Figure 22

8. Mount new gearmotor with four screws (X). Tighten to 45 in-lb (5 Nm).


9. Replace drive pulley (R of Figure 21) and tighten set screws (T).

10. Complete steps 6 through 9 of “Installation” section on page 7.

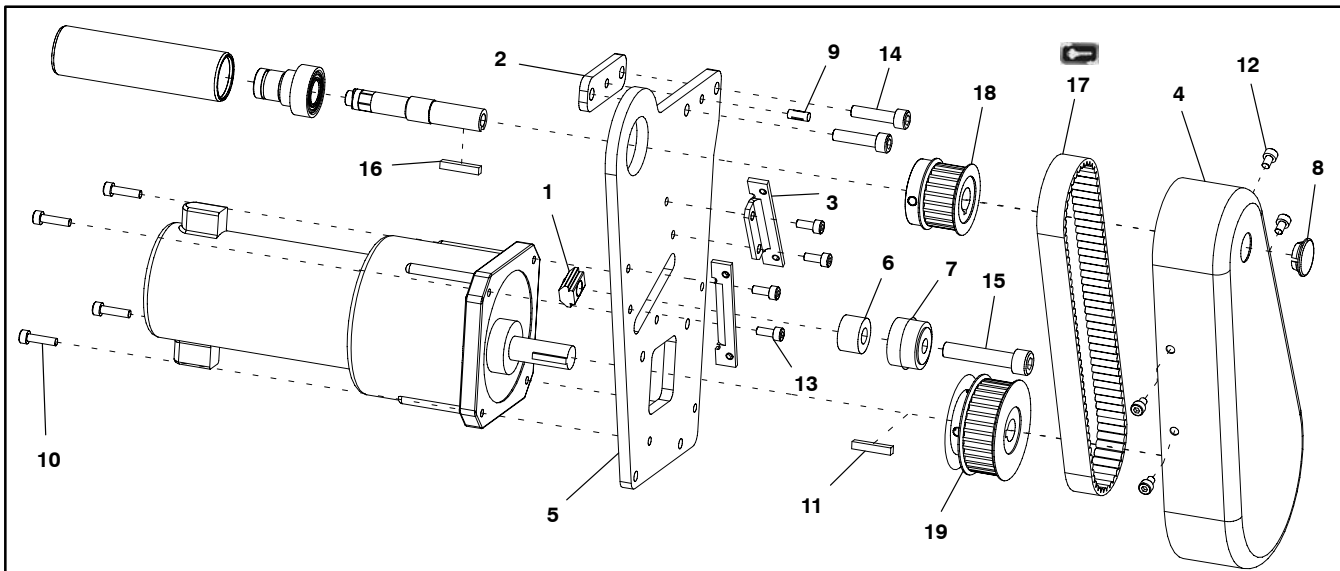
11. Replace wiring:

- For a single phase motor, reverse step 1 on page 10.
- For DC variable speed motor, reverse step 2 above .

# Service Parts

**NOTE:** For replacement parts other than those shown in this section, contact an authorized **Dorner Service Center** or the factory. Key Service Parts and Kits are identified by the Performance Parts Kits logo . Dorner recommends keeping these parts on hand.

## 2100, 2200, 4100, 6200 Series and MPB Series Light Load Bottom Mount Drive Package



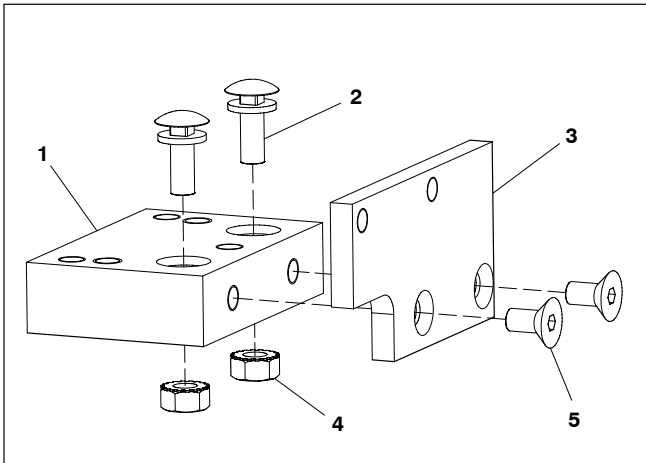
Item	Part Number	Description
1	202390M	Nut, Cam Follower
2	450027M	Drive Spacer (2100 – Cleated Belt and all 6200)
	450377M	Drive Spacer (2100, 2200 and MPB – Flat Belt and all 4100)
3	450047M	Cover Mounting Bracket (Flat Belt)
	450375M	Cover Mounting Bracket (Cleated Belt and MPB)
4	200376M	Drive Guard (Flat Belt)
	450376M	Drive Guard (Cleated Belt and MPB)
5	450046M	Light Duty Motor Mount Plate – Short (Flat Belt, except MPB)
	450026M	Light Duty Motor Mount Plate (Cleated Belt and MPB)
6	450445	Spacer
7	802-046	Bearing
8	807-226	Snap-out Plastic Plug
9	807-952	Groove Pin (Used with Item 2 Only)
10	920545M	Socket Head Screw M5x45mm – 15:1 Gearhead (Fixed Speed Gearmotor Only)
	920555M	Socket Head Screw M5x55mm – 36:1 Gearhead (Fixed Speed Gearmotor Only)
	920416M	Socket Head Cap Screw M4x16mm (Variable Speed Gearmotor Only)

11	980422M	Square Key .4mm x 22mm (Fixed Speed Gearmotor)
	912-084	Square Key .125" x .75" (Variable Speed Gearmotor)
12	920406M	Socket Head Screw M4 x 6mm
13	920408M	Socket Head Screw M4 x 8mm
14	920625M	Socket Head Screw M6 x 25mm (2100)
	920622M	Socket Head Screw M6 x 22mm (2200 – Cleated Belt)
	920618M	Socket Head Screw M6 x 18mm (4100)
	920630M	Socket Head Screw M6 x 30mm (2200 – Flat Belt and all 6200)
15	920840M	Socket Head Screw M8 x 40mm
16	980422M	Square Key 4mm x 22mm
	912-084	Square Key .125" x .75" (1" Wide Conveyor – 4100 Only)
17	814-105	Timing Belt, 15mm W x 460mm L
	814-065	Timing Belt, 15mm W x 475mm L
	814-101	Timing Belt, 15mm W x 500mm L
	814-108	Timing Belt, 15mm W x 520mm L
18	450366MP	Driven Pulley, 22Tooth, 12mm bore
	450367MP	Driven Pulley, 28Tooth, 12mm bore
	450368MP	Driven Pulley, 32Tooth, 12mm bore

19	450384MP	Drive Pulley, 22Tooth, 10mm bore
	450385MP	Drive Pulley, 28Tooth, 10mm bore
	450386MP	Drive Pulley, 32Tooth, 10mm bore
	450387MP	Drive Pulley, 44Tooth, 10mm bore
	450556P	Drive Pulley, 22Tooth, 0.5" bore
	450556P	Drive Pulley, 28Tooth, 0.5" bore
	450556P	Drive Pulley, 32Tooth, 0.5" bore
	450556P	Drive Pulley, 44Tooth, 0.5" bore

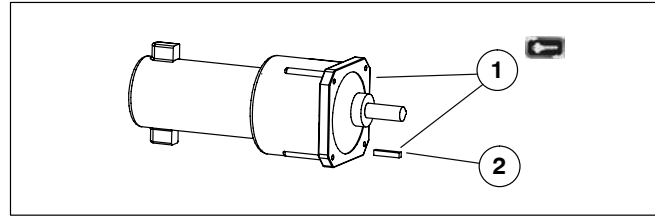
# Service Parts

## 4100 Series Adapter Package



Item	Part No.	Part Description
1	609486	Mounting Block 1" (25mm)
	609487	Mounting Block 2" (51mm)
	609488	Mounting Block 3" (76mm)
	609479	Mounting Block 4" (102mm)
	609480	Mounting Block 5" (127mm)
	609481	Mounting Block 6" (152mm)
	609482	Mounting Block 7" (178mm)
	609483	Mounting Block 8" (203mm)
	609484	Mounting Block 10" (254mm)
	609485	Mounting Block 12" (305mm)
2	613602P	Bolt & Flat Washer Assembly
3	450374	Drive Adapter Plate
4	910-126	Hex Nut with Lock Washer
5	930612M	Flat Head Screw M6 x 12mm

## Gearmotors



Item	Part No.	Part Description
1	62M036PL411FN	Gearmotor, 0.03 hp, 115 Volts, 42 RPM, 60 Hz, 1-Phase, 36:1
	62M015PL411FN	Gearmotor, 0.03 hp, 115 Volts, 100 RPM, 60 Hz, 1-Phase, 15:1
	62M060PLD3DEN	Gearmotor, 0.06 hp, 130 Volts, 42 RPM, DC, 60:1
	62M018PLD3DEN	Gearmotor, 0.06 hp, 130 Volts, 139 RPM, DC, 18:1
2	980422M	Key, 4mm x 22mm, 10mm Bore
	912-052	Key, 1/8" x 5/8", 1/2" Bore

# Return Policy

Returns must have prior written factory authorization or they will not be accepted. Items that are returned to Dorner without authorization will not be credited nor returned to the original sender. When calling for authorization, please have the following information ready for the Dorner factory representative or your local distributor:

1. Name and address of customer.
2. Dorner part number(s) of Item(s) being returned.
3. Reason for return.
4. Customer's original order number used when ordering the item(s).
5. Dorner or distributor invoice number.

A representative will discuss action to be taken on the returned items and provide a Returned Goods Authorization number for reference.

There will be a return charge on all new undamaged items returned for credit where Dorner was not at fault. Dorner is not responsible for return freight on such items.

### **Conveyors and conveyor accessories**

Standard catalog conveyors	30%
MPB Series, cleated and specialty belt conveyors	50%
7400 & 7600 Series conveyors	non-returnable items
Engineered special products	case by case
Drives and accessories	30%
Sanitary stand supports	non-returnable items

### **Parts**

Standard stock parts	30%
MPB, cleated and specialty belts	non-returnable items

Returns will not be accepted after 60 days from original invoice date.

The return charge covers inspection, cleaning, disassembly, disposal and reissuing of components to inventory.

If a replacement is needed prior to evaluation of returned item, a purchase order must be issued. Credit (if any) is issued only after return and evaluation is complete.

Dorner has representatives throughout the world. Contact Dorner for the name of your local representative. Our Technical Sales, Catalog Sales and Service Teams will gladly help with your questions on Dorner products.

For a copy of Dorner's Warranty, contact factory, distributor, service center or visit our website at [www.dorner.com](http://www.dorner.com).

**For replacement parts, contact an authorized  
Dorner Service Center or the factory.**

# **DORNER<sup>®</sup>**

Dorner Mfg. Corp. reserves the right to change or discontinue products without notice. All products and services are covered in accordance with our standard warranty. All rights reserved. ©Dorner Mfg. Corp. 2000

### **DORNER MFG. CORP.**

975 Cottonwood Ave., PO Box 20  
Hartland, WI 53029-0020 USA

**USA**

**TEL 1-800-397-8664 (USA)**

**FAX 1-800-369-2440 (USA)**

**Internet: [www.dorner.com](http://www.dorner.com)**

**Outside the USA:**

**TEL 1-262-367-7600**

**FAX 1-262-367-5827**