

2200 Series Center Drive Conveyors





Table of Contents



| | | | |
|---|----|---|----|
| Warnings – General Safety | 2 | Conveyor End Pulley Removal | 16 |
| Introduction | 2 | Drive Module Drive Pulley Removal | 17 |
| Product Description | 3 | Drive Module Idler Pulley Removal | 17 |
| Specifications | 3 | Bearing Replacement for Conveyor Pulley | 18 |
| Installation | 4 | Bearing Replacement for Drive Pulley | 18 |
| Required Tools | 4 | Bearing Removal | 18 |
| Recommended Installation Sequence | 5 | Bearing Installation | 18 |
| Conveyors Up to 3962 mm | 5 | Bearing Replacement for Idler Pulleys | 19 |
| Conveyors Longer Than 3962 mm | 5 | Pulley Replacement | 19 |
| Mounting Brackets | 6 | Conveyor End Pulley | 19 |
| Return Rollers | 7 | Drive Module Drive Pulley | 20 |
| Preventive Maintenance & Adjustment | 8 | Drive Module Idler Pulley | 20 |
| Required Tools | 8 | Nose Bar Bearing Replacement | 20 |
| Standard Tools | 8 | Service Parts | 22 |
| Special Tools | 8 | 51mm Conveyor Assembly | 22 |
| Checklist | 8 | 76mm to 152mm Conveyor Assembly | 24 |
| Lubrication | 8 | 203mm to 605mm Conveyor Assembly | 25 |
| Conveyor Pulley Bearings | 8 | 457mm to 610mm Conveyor Assembly | 27 |
| Drive Module Idler Pulley Bearings | 8 | 127mm to 610mm Wide | |
| Drive Module Drive Pulley Bearings | 8 | Center Drive Module | 29 |
| Return Rollers | 8 | 51mm, 76mm, 102mm Wide | |
| Maintaining Conveyor Belt | 8 | Center Drive Module | 29 |
| Troubleshooting | 8 | Nosebar End Assembly 51mm to 610mm | 31 |
| Cleaning | 8 | -04 76mm Aluminum Side | 32 |
| Conveyor Belt Replacement | 9 | -05 38mm Aluminum Side | 33 |
| Conveyor Belt Replacement Sequence | 9 | -07 Low to Side Wiper | 34 |
| Belt Removal for Conveyor Without | | -09 Low to High Side | 35 |
| Stands or Gearmotor Mounting Package | 9 | -10 13mm Extruded Plastic | 36 |
| Belt Removal for Conveyor With | | -13 Adjustable Guiding | 37 |
| Stands and Gearmotor Mounting Package | 10 | Flared Side Guiding | 38 |
| Gearmotor Mounting Package Removal | 11 | Flat Belt Mounting Brackets | 39 |
| Drive Module Removal | 12 | Flat Belt Mounting Brackets for 610mm Conveyors | 39 |
| Belt Removal from Drive Module | 12 | Connecting Assembly without Stand Mount | 40 |
| Conveyor Belt Installation | 13 | Flat Belt Connecting Assembly without | |
| Conveyor Tension End Adjustment | 14 | Stand Mount | 40 |
| Conveyor Belt Tensioning | 15 | 51mm to 152mm Flat Belt Return Roller | 41 |
| Conveyor Belt Tracking | 16 | 51mm to 152mm Flat Belt Return Roller | 41 |
| Pulley Removal | 16 | Return Policy | 24 |

Warnings – General Safety



| | | |
|---|----------------|---|
|  | WARNING |  |
| <p>The safety alert symbol, black triangle with white exclamation, is used to alert you to potential personal injury hazards.</p> | | |



| | | |
|---|---|----------------|
|  |  | WARNING |
| <p>Gearmotors may be HOT. DO NOT TOUCH Gearmotors.</p> | | |

| | | |
|---|---|---------------|
|  |  | DANGER |
| <p>Climbing, sitting, walking or riding on conveyor will cause severe injury. KEEP OFF CONVEYORS.</p> | | |

| | | |
|---|---|----------------|
|  |  | WARNING |
| <p>Dorner cannot control the physical installation and application of conveyors. Taking protective measures is the responsibility of the user.</p> <p>When conveyors are used in conjunction with other equipment or as part of a multiple conveyor system, CHECK FOR POTENTIAL PINCH POINTS and other mechanical hazards before system start-up.</p> | | |

| | | |
|---|---|---------------|
|  |  | DANGER |
| <p>DO NOT OPERATE CONVEYORS IN AN EXPLOSIVE ENVIRONMENT.</p> | | |

| | | |
|---|---|----------------|
|  |  | WARNING |
| <p>Exposed moving parts can cause severe injury. LOCK OUT POWER before removing guards or performing maintenance.</p> | | |

| | | |
|---|--|----------------|
|  |  | WARNING |
| <p>Loosening stand height or angle adjustment screws may cause conveyor sections to drop down, causing severe injury. SUPPORT CONVEYOR SECTIONS PRIOR TO LOOSENING STAND HEIGHT OR ANGLE ADJUSTMENT SCREWS.</p> | | |

Introduction

IMPORTANT: Some illustrations may show guards removed. DO NOT operate equipment without guards.

Upon receipt of shipment:

- Compare shipment with packing slip. Contact factory regarding discrepancies.
- Inspect packages for shipping damage. Contact carrier regarding damage.
- Accessories may be shipped loose. See accessory instructions for installation.

Dorner's Limited Warranty applies.

Dorner 2200 Series conveyors are covered by Patent Numbers 5,174,435, 5,131,529, 6,298,981 and corresponding patents and patent applications in other countries.

Dorner reserves the right to make changes at any time without notice or obligation.

Product Description

Refer to Figure 1 for typical conveyor components.

| Typical Components | |
|--------------------|----------------------------|
| A | Conveyor |
| B | Drive Module |
| C | Guiding & Accessories |
| D | Gearmotor Mounting Package |
| E | Gearmotor |
| F | Mounting Brackets |
| G | Support Stand |
| H | Variable Speed Controller |
| I | Fixed End |
| J | Tension End |

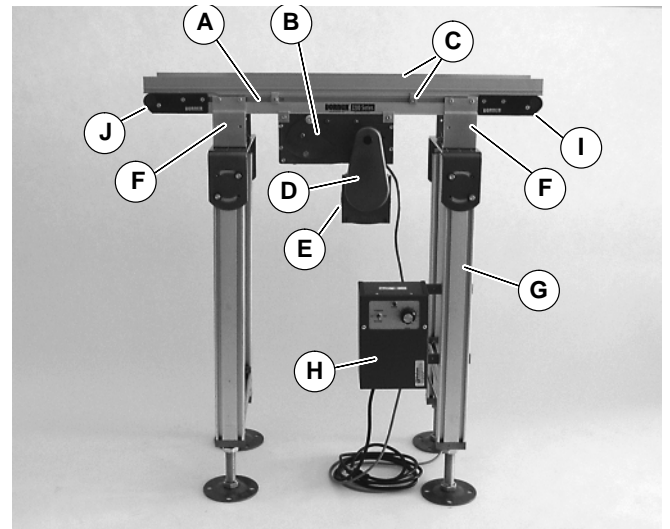
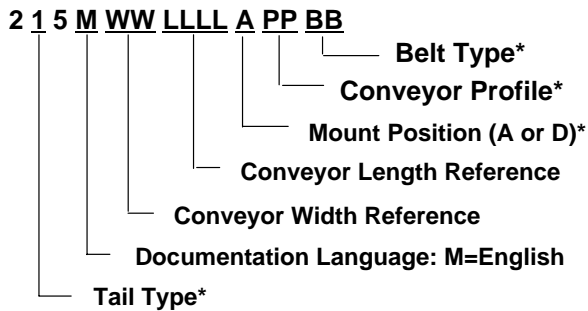


Figure 1

Specifications

Models:

2200 Series Center Drive Conveyor



* See Ordering and Specifications Catalog for details.

Conveyor Supports:

Maximum Distances:

K = 457 mm

L = 1829 mm**

** For conveyors longer than 3962 mm, install support at joint.

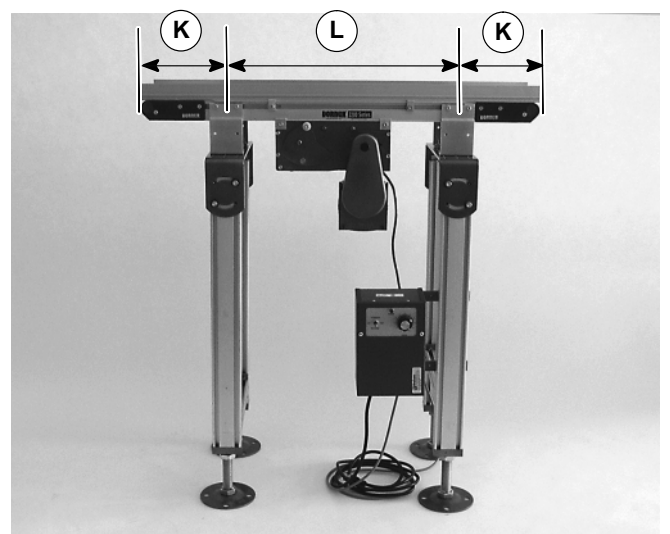


Figure 2

Specifications

Specifications:

| Conveyor Width Reference (WW) | 02 | 03 | 04 | 05 | 06 | 08 | 10 | 12 | 18 | 21 | 24 |
|--|---|--------|--------|--------|--------|--------|--------|--------|--------|--------|--------|
| Conveyor Belt Width | 44 mm | 70 mm | 95 mm | 127 mm | 152 mm | 203 mm | 254 mm | 305 mm | 457 mm | 533 mm | 610 mm |
| Maximum Conveyor Load* (See NOTE Below) | 18 kg | 23 kg | 27 kg | 34 kg | 41 kg | 47 kg | 54 kg | 54 kg | 54 kg | 54 kg | 54 kg |
| Conveyor Start-up Torque* | 1.0 Nm | 1.1 Nm | 1.2 Nm | 1.4 Nm | 1.7 Nm | 2.3 Nm | 2.6 Nm | 3.4 Nm | 3.4 Nm | 4.0 Nm | 4.0 Nm |
| Belt Travel | 107 mm per revolution of pulley | | | | | | | | | | |
| Maximum Belt Speed* | 72 meters/minute | | | | | | | | | | |
| Belt Take-up | 25 mm of stroke = 51 mm of belt take-up | | | | | | | | | | |

| Conveyor Length Reference (LL) | 02 | 03 | 04 | 05 | 06 | 07 | 08 | 09 | 10 | 11 | 12 | 13 | 24 | 14 | 15 | 16 | 17 | 18 | 19 | 20 | 21 | 22 | 23 |
|--------------------------------|--------|--------|---------|---------|---------|---------|---------|---------|---------|---------|---------|---------|---------|---------|---------|---------|---------|---------|---------|---------|---------|---------|---------|
| Conveyor Length | 610 mm | 914 mm | 1219 mm | 1524 mm | 1829 mm | 2134 mm | 2438 mm | 2743 mm | 3048 mm | 3353 mm | 3658 mm | 3962 mm | 7315 mm | 4267 mm | 4572 mm | 4877 mm | 5182 mm | 5486 mm | 5791 mm | 6096 mm | 6401 mm | 6706 mm | 7010 mm |

* See Ordering and Specifications Catalog for details.

NOTE: Maximum conveyor loads based on:

- Non-accumulating product
- Product moving towards gearmotor
- Conveyor being mounted horizontal

Installation

NOTE: Conveyor **MUST** be mounted straight, flat and level within confines of conveyor. Use a level (M of Figure 3) for setup.

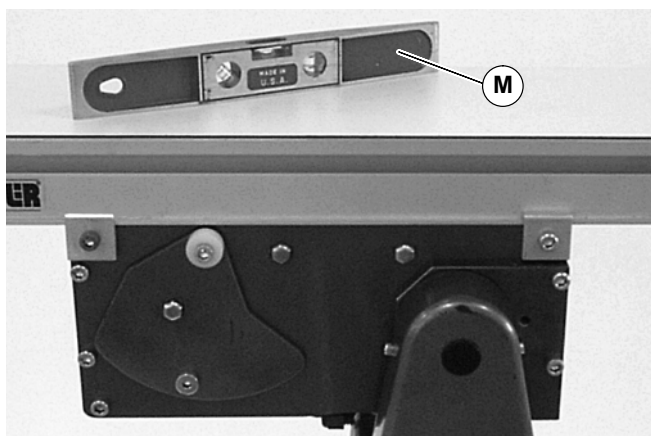


Figure 3

Installation Component List

- O Conveyor fram (two sections if longer than 305 mm)
- P Conveyor brackets (4x)
- Q Return rollers (for longer conveyors)

Required Tools

- Hex key wrenches:
 - 4 mm, 5 mm
- Level
- Torque wrench

Recommended Installation Sequence

- Install stands (see accessory instructions)
- Assemble conveyor (if required)
- Attach mounting brackets to conveyor
- Attach conveyor to stands
- Install return rollers on conveyor (optional)
- Mount gearmotor mounting package (see accessory instructions)
- Attach guides/accessories (see “Service Parts” section, pages 33 to 39)

Conveyors Up to 3962 mm

No assembly is required. Install mounting brackets and return rollers. Refer to “Mounting Brackets”, page 6 and “Return Rollers”, page 7.

Conveyors Longer Than 3962 mm

1. Locate conveyor sections (O Figure 4)

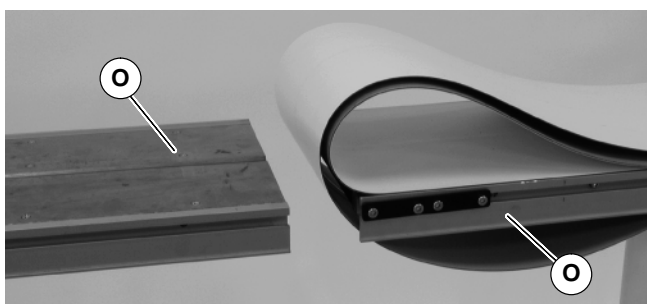
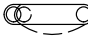


Figure 4

2. On tension end of the conveyor, identified with a  label (R of Figure 5), push in head plate assembly (S): On both sides of conveyor, loosen and move cam tracking assemblies (T) (if equipped) away from head plates, then loosen fastening screws (U) and push head plate assembly inward.

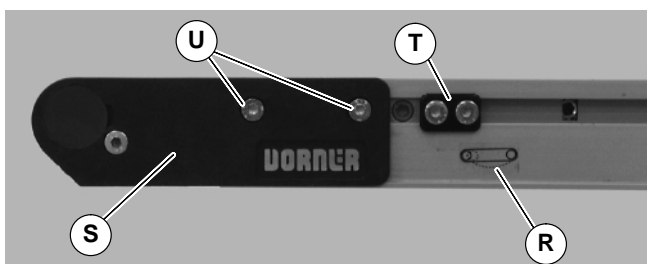


Figure 5

3. Roll out conveyor belt and place conveyor frame sections (O of Figure 6) into belt loop.

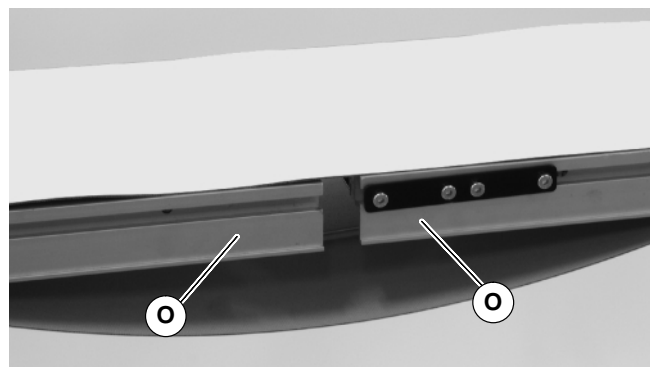


Figure 6

4. Join conveyor sections and install connector brackets (V of Figure 7) or connector/mount brackets (VA) and screws (W) on both sides as indicated. Tighten screws to 7 Nm.

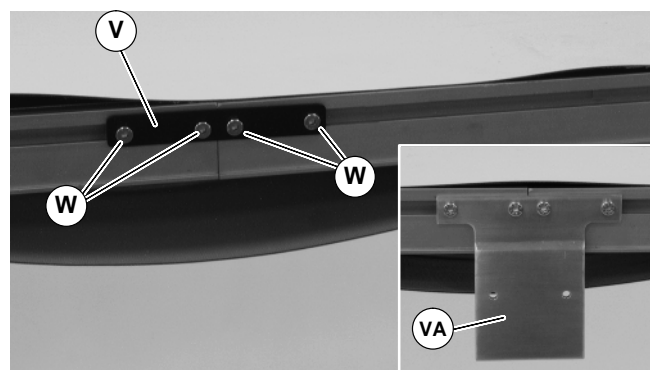


Figure 7

5. With a 5 mm hex-key wrench, rotate pinion gear (X of Figure 8) to tension the conveyor belt. Tighten fastening screws (U) on both sides of conveyor to 7 Nm. For proper tensioning, refer to “Conveyor Tension End Adjustment”, page 14.

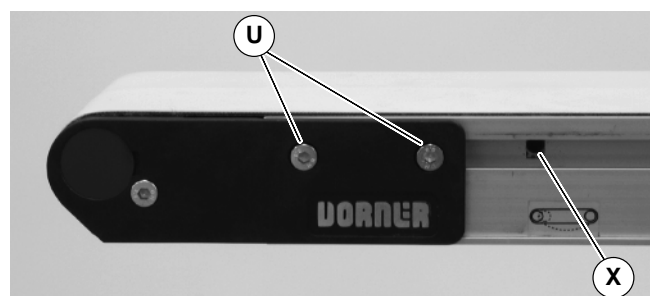


Figure 8

6. Install mounting brackets and return rollers. Refer to “Mounting Brackets”, page 6 and “Return Rollers”, page 7.
7. If equipped with cam tracking assemblies (T of Figure 5), adjust belt tracking. Refer to “Conveyor Belt Tracking”, page 16.

Installation

Mounting Brackets

1. Locate brackets. Exploded views shown in Figures 9.

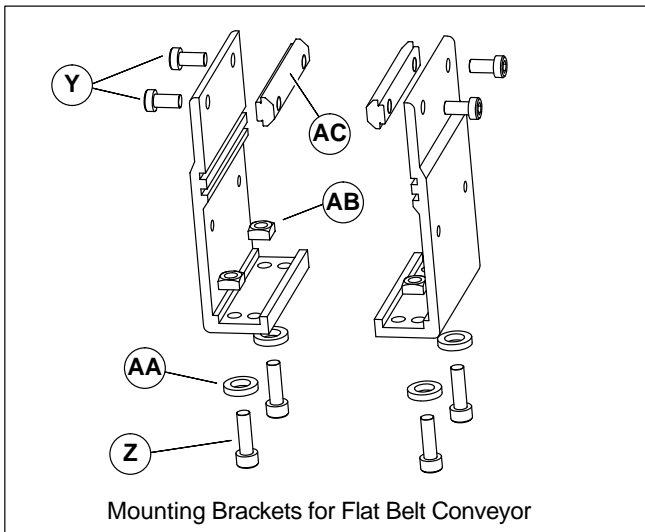


Figure 9

2. Remove screws (Y & Z of Figures 9), washers (AA), nuts (AB) and T-bars (AC) from brackets.

3. Insert T-bars (AC of Figures 9) into conveyor side slots (AD of Figure 10). Fasten brackets (P of Figure 10) to conveyor with mounting screws (Y).

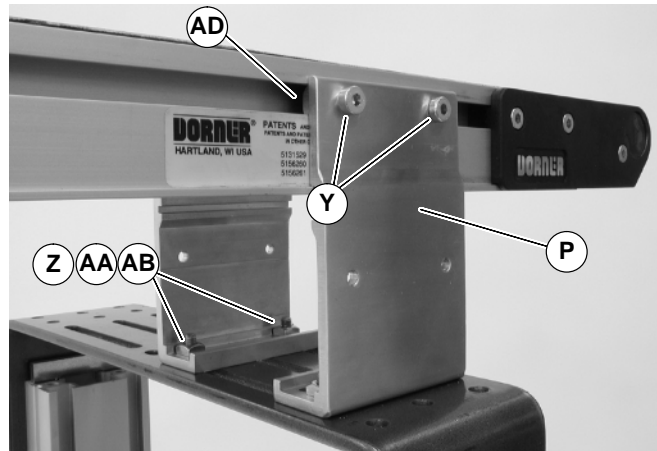


Figure 10

4. Fasten brackets to support stand with mounting screws (Z of Figure 10), washers (AA) and nuts (AB).
5. Tighten screws (Y & Z of Figure 10) to 7 Nm.

Return Rollers

51–152 mm Wide Flat Belt Conveyors

1. Locate return rollers. Exploded views shown in Figures 11.

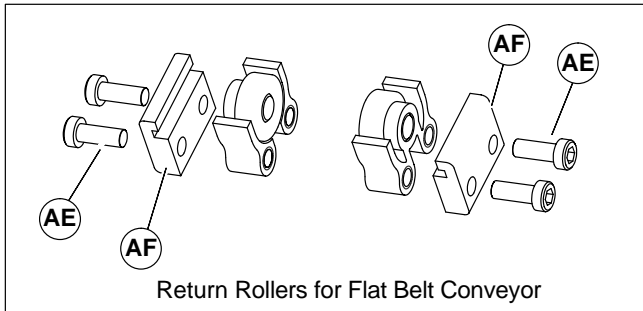
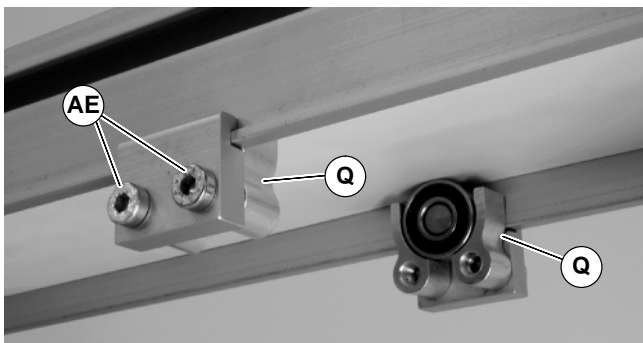


Figure 11

2. Remove screws (AE of Figures 11) and clips (AF) from roller assembly.
3. Install roller assemblies (Q of Figure 12) as shown. Tighten screws (AE) to 7 Nm.



203–610 mm Wide Flat Belt Conveyors

1. Locate return rollers. Exploded view shown in Figure 13.

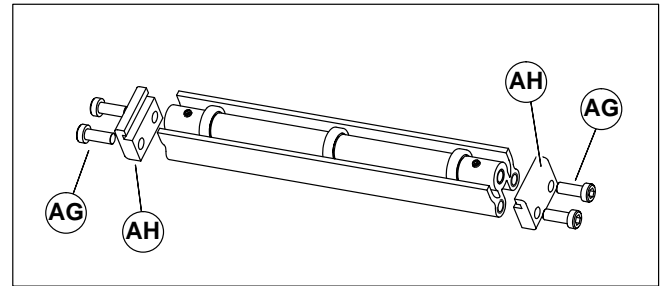


Figure 13

2. Remove screws (AG of Figure 13) and clips (AH) from roller assembly.
3. Install roller assembly as shown (Q of Figure 14). Tighten screws (AG) to 7 Nm.

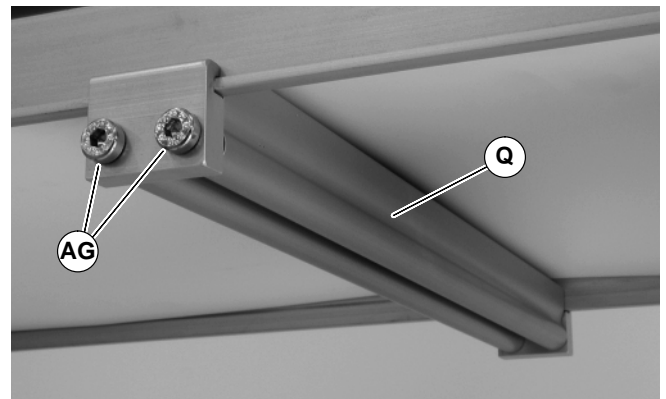


Figure 14

Preventive Maintenance and Adjustment

Required Tools

Standard Tools

- Hex key wrenches:
 - 2 mm – 2.5 mm – 3 mm
 - 4 mm – 5 mm – 6 mm
- Small flat blade screwdriver
- Adjustable wrench
- Arbor press

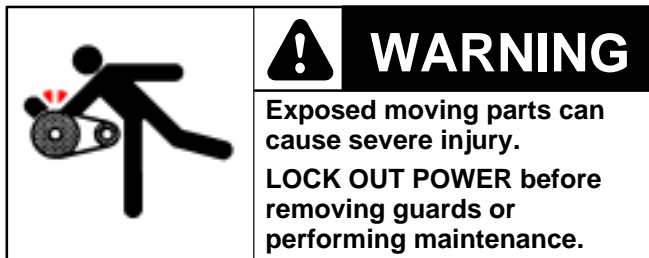
Special Tools

- 450282, Sealed Bearing Installation Tool

Checklist

- Keep service parts on hand. See “Service Parts” for recommendations.
- Keep supply of belt cleaner (part number 625619)
- Clean entire conveyor and knurled pulley while disassembled
- Replace worn or damaged parts

Lubrication



Conveyor Pulley Bearings

No lubrication is required. Replace pulley if worn.

Drive Module Idler Pulley Bearings

No lubrication is required. Replace pulley if worn.

Drive Module Drive Pulley Bearings

No lubrication is required. Replace bearings if worn.

Return Rollers

No lubrication is required. Replace bearings if worn.

Maintaining Conveyor Belt

Troubleshooting

Inspect conveyor belt for:

- Surface cuts or wear
- Stalling or slipping

Surface cuts and wear indicate:

- Sharp or heavy parts impacting belt
- Jammed parts
- Improperly installed bottom wiper
- Accumulated dirt in wiper
- Foreign material inside the conveyor
- Improperly positioned accessories
- Bolt-on guiding is pinching belt

Stalling or slipping indicates:

- Excessive load on belt
- Conveyor belt or drive timing belt are not properly tensioned
- Worn knurl or impacted dirt on drive pulley
- Intermittent jamming or drive train problems

NOTE: Visit www.dorner.com for complete list of troubleshooting solutions.

Cleaning

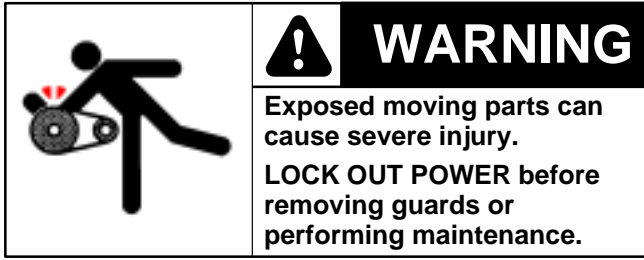
IMPORTANT: Do not use belt cleaners that contain alcohol, acetone, Methyl Ethyl Ketone (MEK) or other harsh chemicals.

Use Dorner Belt Cleaner (part number 625619). Mild soap and water may also be used. Do not soak the belt.

For /05 woven polyester and /06 black anti-static belts, use a bristled brush to improve cleaning.

Preventive Maintenance and Adjustment

Conveyor Belt Replacement



Conveyor Belt Replacement Sequence

NOTE: See Table of Contents for beginning page numbers of following procedures.

- Remove old conveyor belt:
 - Conveyor without Stands or Gearmotor Mounting Package
 - Conveyor with Stands and Gearmotor Mounting Package
- Drive Module Removal
- Conveyor Belt Removal from Drive Module
- Install New Conveyor Belt
- Tension Conveyor Belt

Belt Removal for Conveyor Without Stands or Gearmotor Mounting Package

1. If equipped, remove bottom wipers (AI of Figure 15): Remove fastening screws (AJ) then remove wiper (AI).

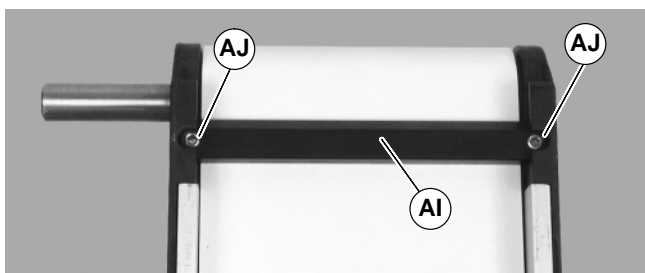


Figure 15

2. If equipped, remove return rollers and guiding and accessories from one side of conveyor.
3. Loosen corner screws (AK of Figure 16), on each side of the drive module (AL).

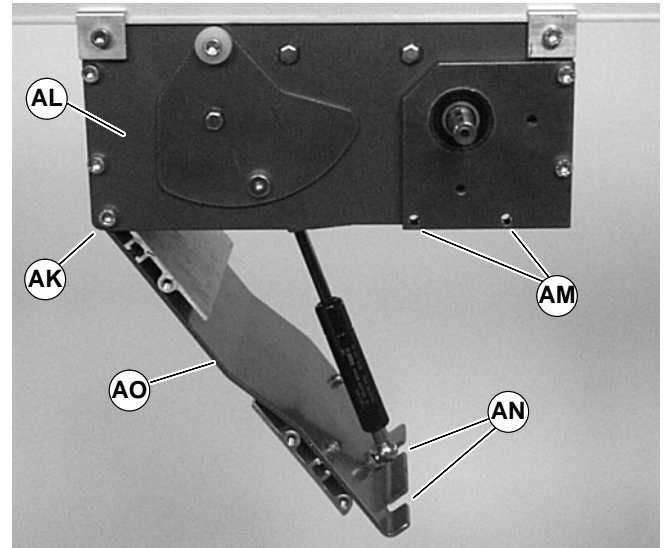



Figure 16

4. Remove tension door screws (AM) on each side of the drive module.
5. Using finger grip holes (AN), open the tension door (AO) to release conveyor belt tension.
6. On tension end of the conveyor, identified with a  label (R of Figure 17), push in head plate assembly (S): On both sides of conveyor, loosen and move cam tracking assemblies (T) (if equipped) away from head plates, then loosen fastening screws (U) and push head plate assembly inward.

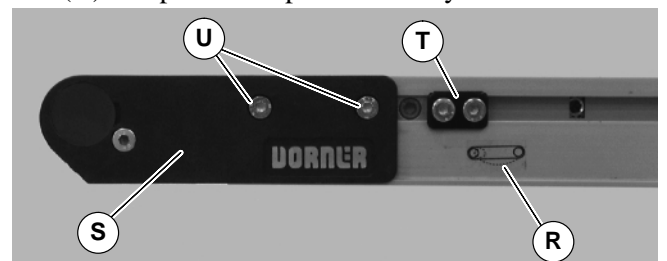


Figure 17

7. Remove conveyor belt from conveyor ends. See NOTE.

NOTE: On conveyors 1219 mm and shorter by 203 mm and wider, it is necessary to remove the drive module at the same time the conveyor belt is removed. See "Drive Module Removal", page 12.

8. Proceed to "Drive Module Removal", page 12 and "Belt Removal from Drive Module", page 12.

Preventive Maintenance and Adjustment

Belt Removal for Conveyor With Stands and Gearmotor Mounting Package

1. If equipped, remove bottom wipers (AI of Figure 18): Remove fastening screws (AJ) then remove wiper (AI).

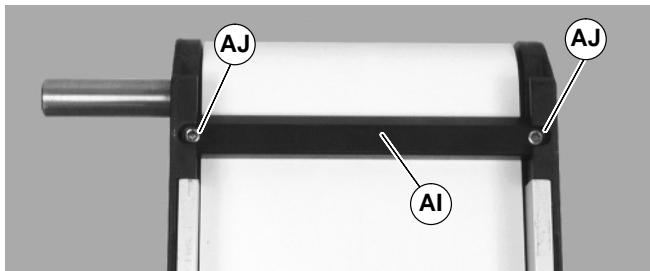


Figure 18

2. If equipped, remove return rollers and guiding and accessories from one side of conveyor.
3. Remove Gearmotor Mounting Package. See “Gearmotor Mounting Package Removal”, page 11.
4. Loosen corner screws (AK of Figure 19), on each side of the drive module (AL).

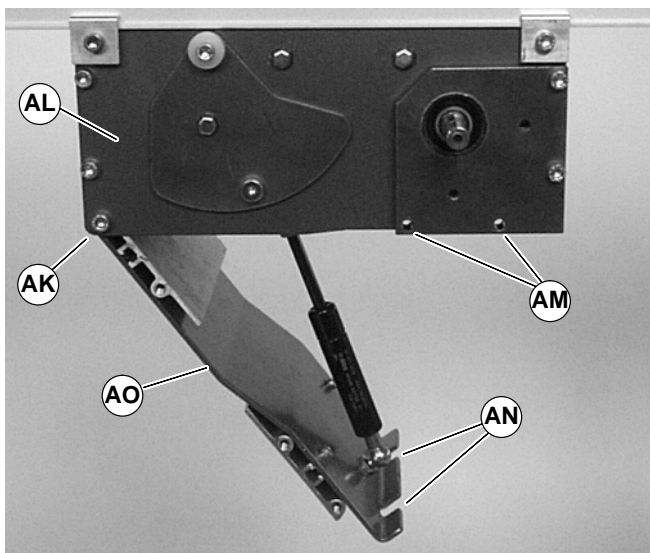
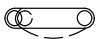


Figure 19

5. Remove tension door screws (AM) on each side of the drive module.

NOTE: With vertically mounted gearmotors, tension door screws (AM) are removed from one side when the gearmotor mounting package is removed.

6. Using finger grip holes (AN), open the tension door (AO) to release conveyor belt tension.

7. On tension end of the conveyor, identified with a  label (R of Figure 20), push in head plate assembly (S): On both sides of conveyor, loosen and move cam tracking assemblies (T) (if equipped) away from head plates, then loosen fastening screws (U) and push head plate assembly inward.

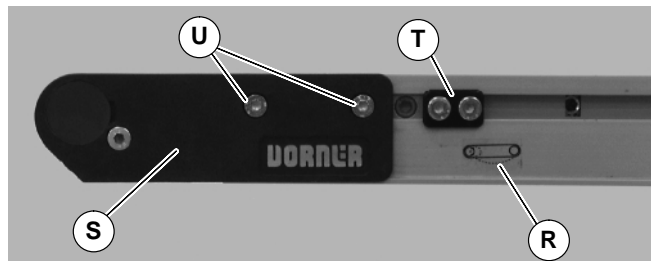


Figure 20

8. Place temporary support stands (AP of Figure 21) at both ends of the conveyor.

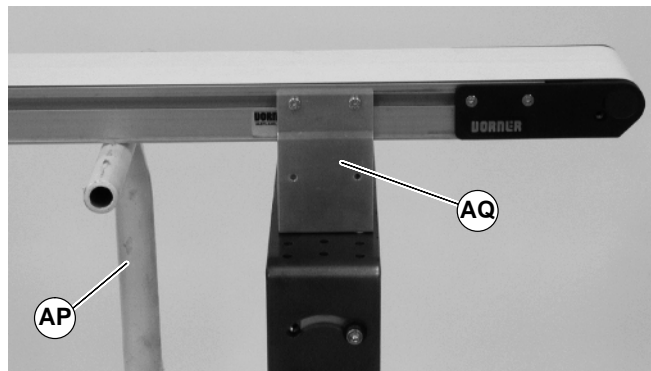


Figure 21

9. Remove mounting brackets (AQ of Figure 21) from one side of conveyor. (Reverse steps 3 & 4 of “Mounting Brackets” section, page 6.)
10. Remove conveyor belt from conveyor ends. See **NOTE**.

NOTE: On conveyors 1219 mm and shorter by 203 mm and wider, it is necessary to remove the drive module at the same time the conveyor belt is removed. See “Drive Module Removal”, page 12.

11. Proceed to “Drive Module Removal”, page 12 and “Belt Removal from Drive Module”, page 12.

Preventive Maintenance and Adjustment

Gearmotor Mounting Package Removal

1. Remove cover screws (AR of Figure 22) and remove cover (AS).

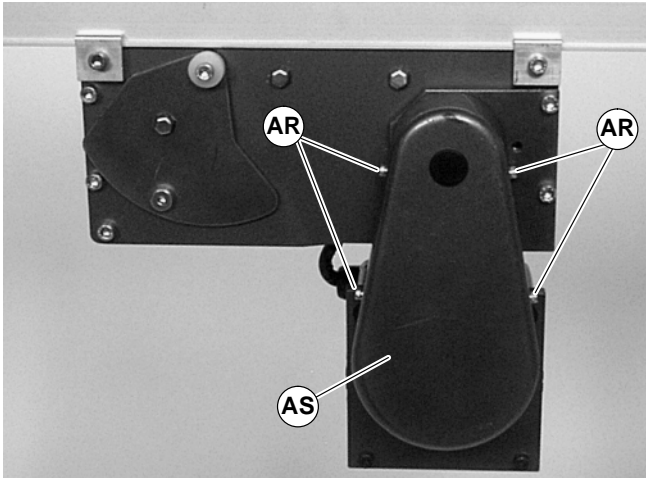


Figure 22

NOTE: Figures 22 & 23 show vertically mounted gearmotor. Horizontally mounted gearmotor is similar.

2. Loosen belt tensioner (AT of Figure 23) then remove timing belt (AU).

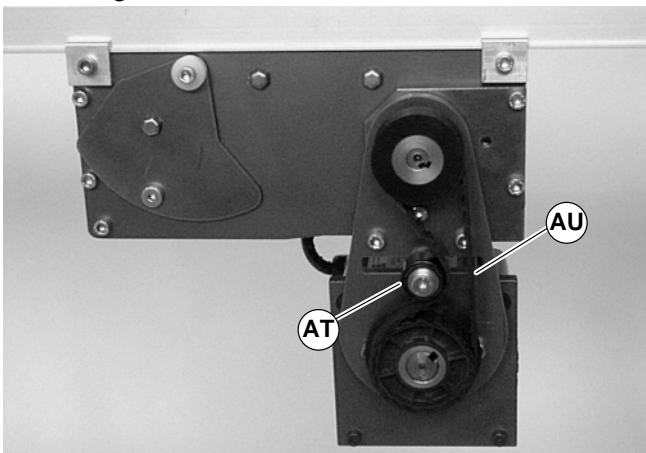


Figure 23

NOTE: If the timing belt does not slide over the pulley flange, loosen the driven pulley set screws (AV of Figure 24) and remove the pulley (AW) with the belt (AY).

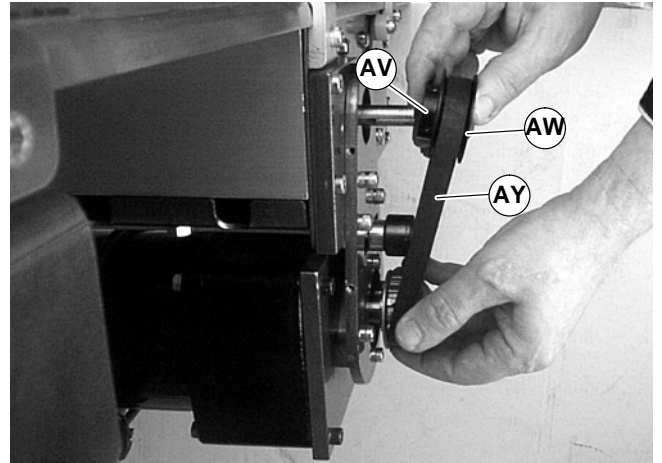


Figure 24

3. Remove three mounting screws (AZ of Figure 25) and remove gearmotor.

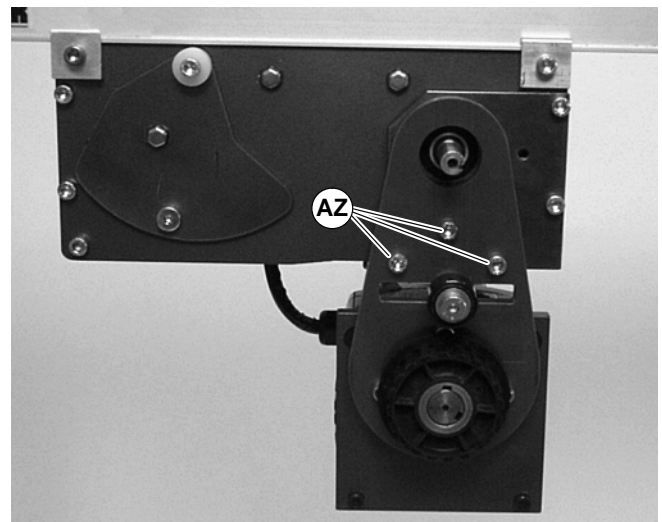


Figure 25

Preventive Maintenance and Adjustment

Drive Module Removal



NOTE: If desired, mark position of drive module on conveyor before removal.

1. Place temporary support (BA of Figure 26) underneath the drive module.

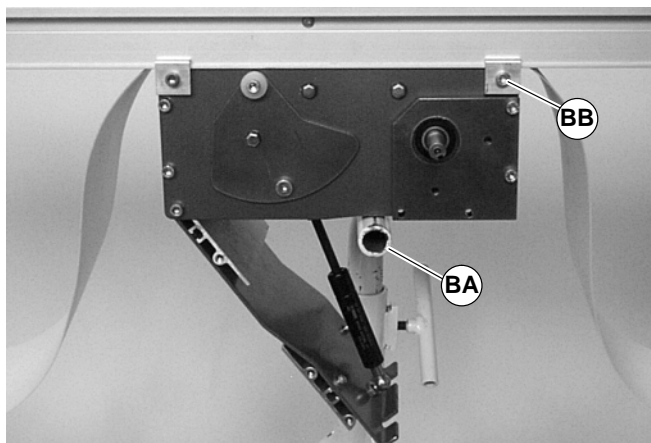


Figure 26

2. Loosen clamp screws (BB) on each corner of the module. Remove the module.

Belt Removal from Drive Module

1. Remove drive plate screws (BC of Figure 27). Remove the tension drive plate (BD).

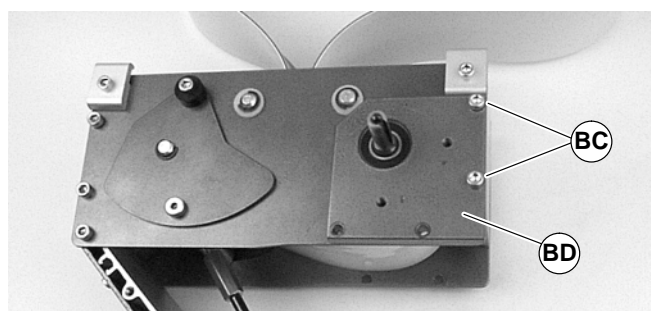


Figure 27

2. Remove drive pulley (BE of Figure 28).

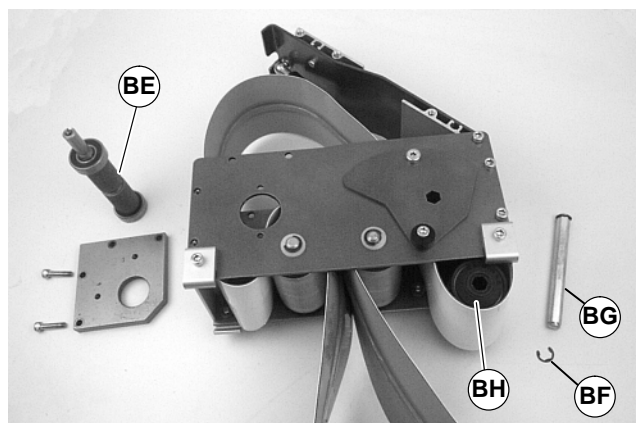


Figure 28

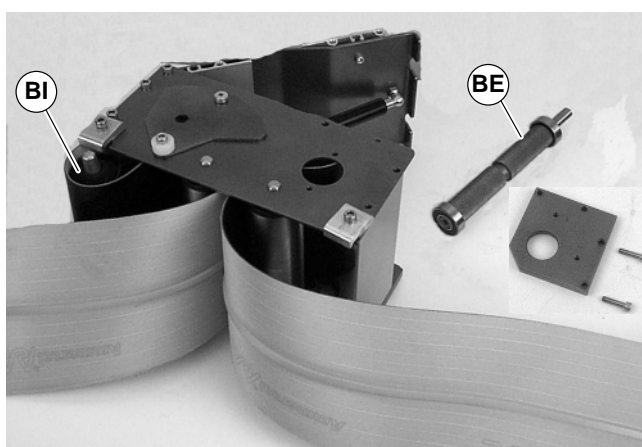


Figure 29

3. Remove grooved idler pulley:
 - For 44 mm, 70 mm or 95 mm wide conveyor, detach E-ring clip (BF of Figure 28). Remove pulley shaft (BG) and remove pulley (BH).
 - For 127 mm or wider conveyor, depress both sides of spring-loaded shaft and remove pulley (BI of Figure 29).
4. Remove the conveyor belt.

Preventive Maintenance and Adjustment

Conveyor Belt Installation

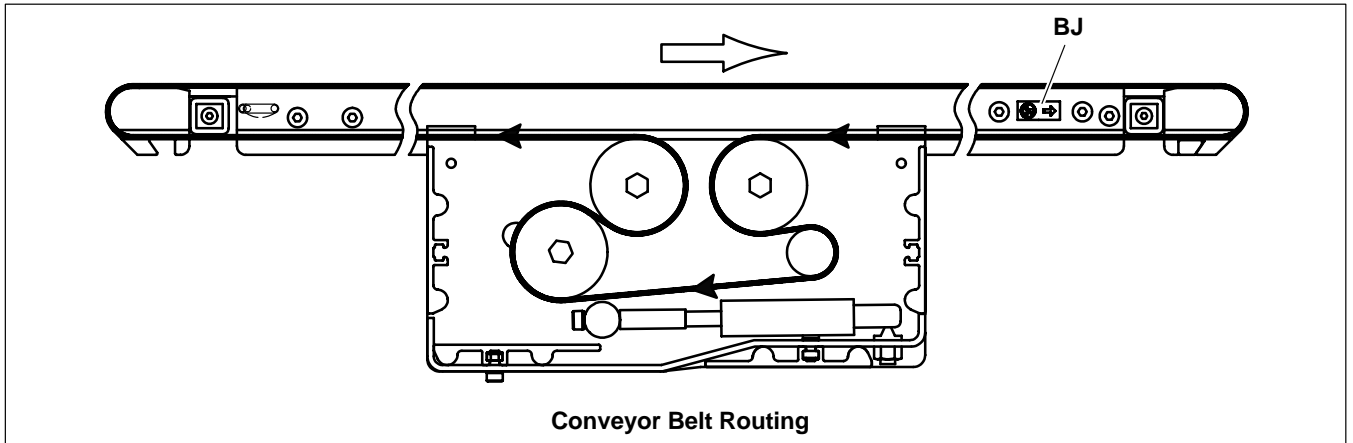


Figure 30

IMPORTANT: On a center drive conveyors, belt travel direction is identified by an arrow decal on the side of the conveyor (BJ of Figures 31 & 30).



Figure 31

NOTE: It is necessary to replace the drive module at the same time the conveyor belt is replaced on conveyors 1219 mm and shorter by 203 mm and wider.

1. Orient the conveyor belt so that the splice leading fingers (BK of Figure 32) point in the direction of belt travel, indicated by the label (BJ of Figure 31).

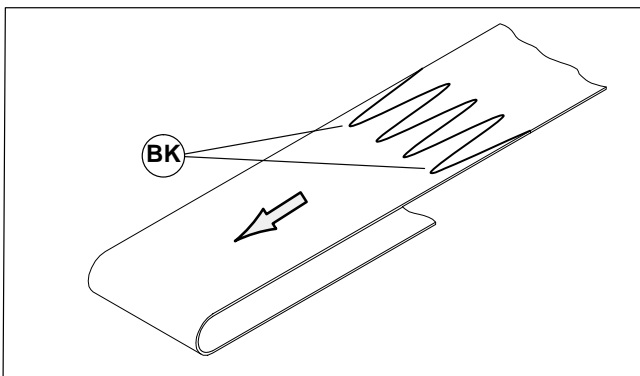


Figure 32

2. Place loop of belt (BL of Figure 33) into the drive module between top idler pulleys (BM).

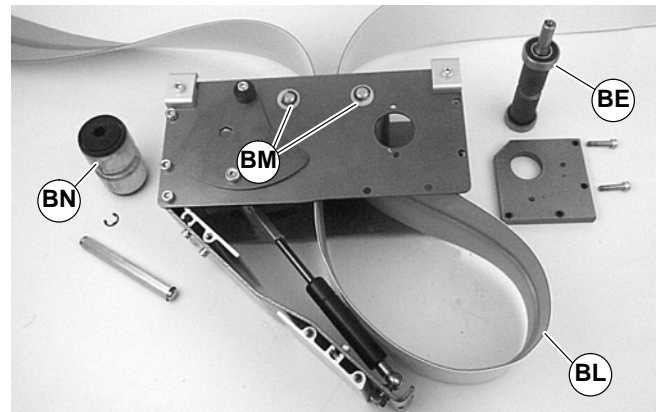



Figure 33

3. Place grooved idler pulley (BN of Figure 33) into the belt loop and install it in the drive module. Refer to “Belt Removal from Drive Module” on page 12 and reverse step 3.
4. Place drive pulley (BE of Figure 33) into the belt loop and install it in the drive module. Refer to “Belt Removal from Drive Module” on page 12 and reverse steps 1 and 2. Tighten screws (BC of Figure 27) to 9 Nm.
5. Install the drive module onto the conveyor and attach clamps (BB of Figure 26) in each corner. Tighten screws to 9 Nm.
6. Route and install the belt over both ends of the conveyor.
7. On conveyors with stands, re-install conveyor mounting brackets. Refer to “Mounting Brackets”, page 6, steps 3 through 5.
8. Adjust the conveyor tensioning end. See “Conveyor Tensioning End Adjustment”, page 14.

Preventive Maintenance and Adjustment

| | |
|---|---|
|  |  WARNING |
| | <p>Tension door closes quickly, may cause injury. KEEP FINGERS CLEAR OF TENSION DOOR.</p> |

9. Carefully close the drive module tension door (BO of Figure 34). See **WARNING**.

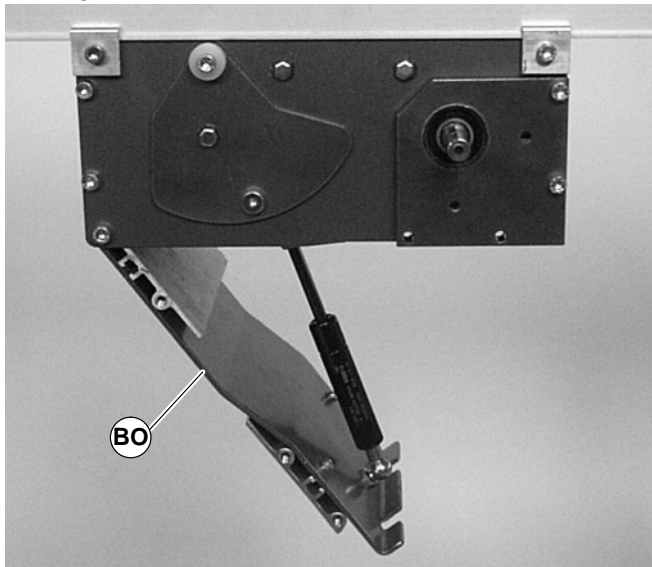


Figure 34

10. Tighten corner screws (BO of Figure 35) on each side of the drive module to 9 Nm.

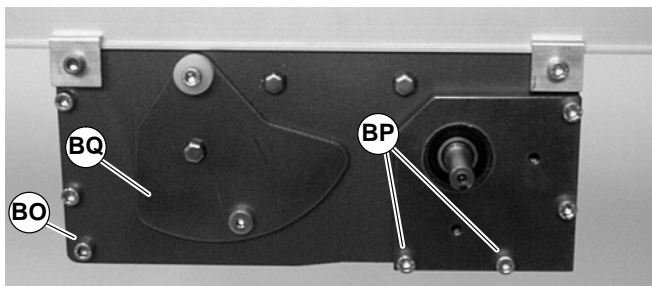


Figure 35

11. If equipped, re-install the gearmotor mounting package. Reverse steps of “Gearmotor Mounting Package Removal” procedure on page 11.

12. Re-install tension door screws (BP of Figure 35) on each side of the module. Tighten screws to 9 Nm.

NOTE: With vertically mounted gearmotors, tension door screws (BP) are installed on one side when the gearmotor mounting package is installed.

13. If equipped, re-install bottom wipers (AI of Figure 36): Install wiper (AI) then install screws (AJ).

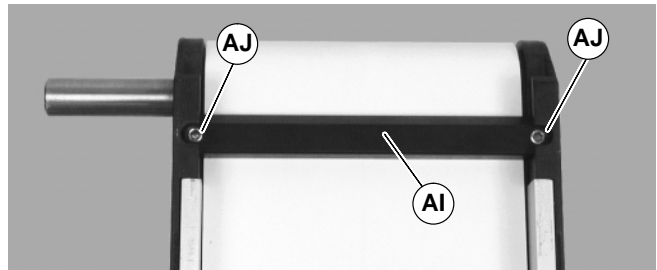




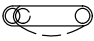
Figure 36

14. If equipped, replace guiding.

Conveyor Tension End Adjustment

| | |
|---|---|
|  |  WARNING |
| | <p>Exposed moving parts can cause severe injury. LOCK OUT POWER before removing guards or performing maintenance.</p> |

Conveyors with 32 mm Diameter Pulleys

1. On tension end of the conveyor, identified with a  label (R of Figure 37), adjust head plate assembly (S): On both sides of conveyor, loosen fastening screws (U) and rotate pinion gear (X) to adjust head plate assembly.

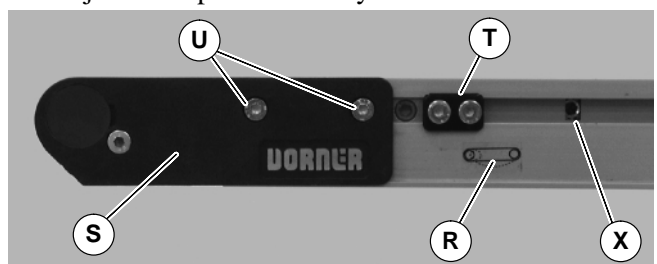


Figure 37

Preventive Maintenance and Adjustment

2. Adjust head plate assembly so end of conveyor frame aligns with first tensioning mark (BR of Figure 38). Tighten fastening screws (U of Figure 37) on both sides of conveyor to 7 Nm.

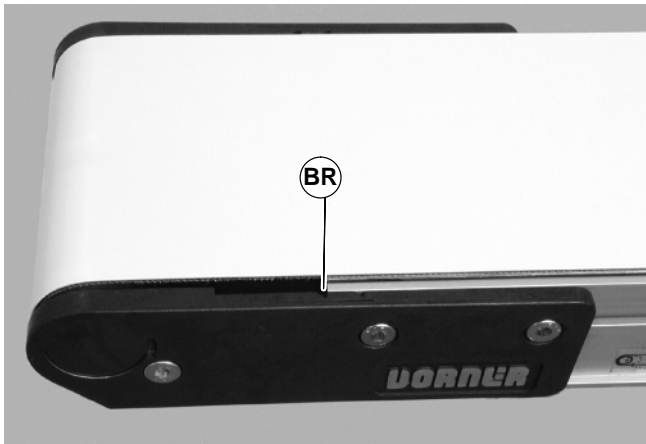


Figure 38

2. Adjust head plate assembly so the edge of the axle support plate (BS of Figure 40) is separated from the end of the conveyor (BT) by 29 mm. Tighten fastening screws (U of Figure 39) on both sides of conveyor to 7 Nm.

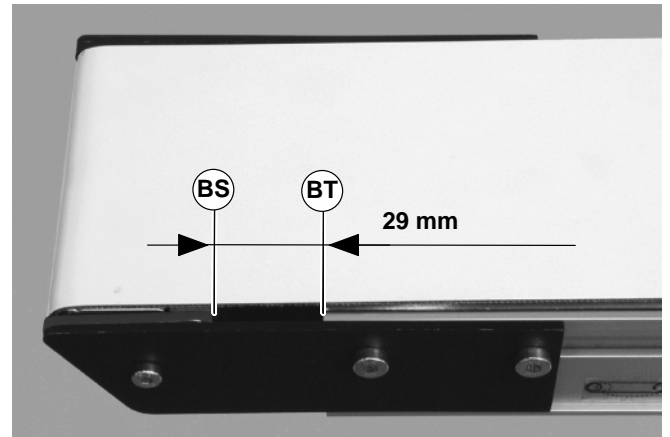
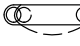


Figure 40

3. If equipped with cam tracking assemblies (T of Figure 37), reposition against head plates and adjust belt tracking. Refer to “Conveyor Belt Tracking”, page 16.

3. If equipped with cam tracking assemblies (T of Figure 39) position against head plates and adjust belt tracking. Refer to “Conveyor Belt Tracking”, page 16.

Conveyors with Nose Bar Idlers

1. On tension end of the conveyor, identified with a  label (R of Figure 39), adjust head plate assembly (S): On both sides of conveyor, loosen fastening screws (U) and rotate pinion gear (X) to adjust head plate assembly.

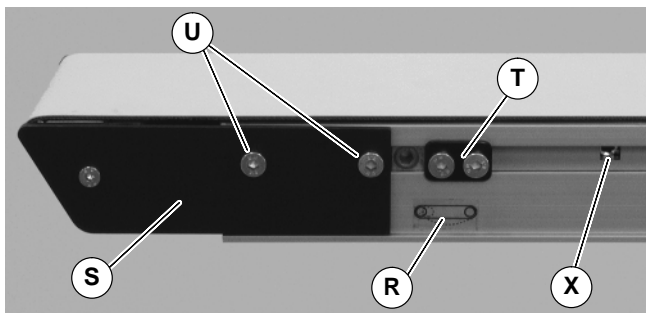
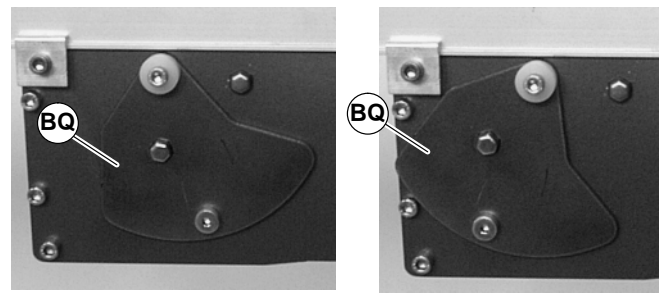


Figure 39

Conveyor Belt Tensioning

The conveyor is equipped with an automatic tensioning cylinder. No tensioning adjustment is required.

For a new belt, the tension plate (BQ of Figure 41) will be in position indicated below left. When the tension plate extends to position indicated below right, the conveyor belt must be replaced.



New Belt

Change Belt

Figure 41

Preventive Maintenance and Adjustment

Conveyor Belt Tracking

V-Guided Belts

V-guided belts do not require tracking adjustment.

Non V-Guided Belts

Non V-guided belt conveyors are equipped with belt tracking cam assemblies (T of Figure 42) for belt tracking adjustment.

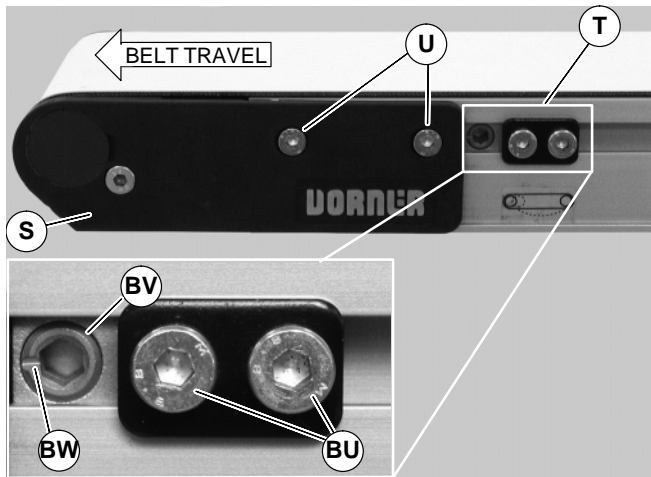
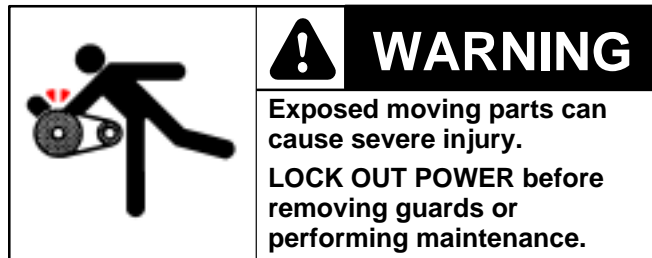


Figure 42

When adjusting belt tracking, always adjust the discharge end of the conveyor first. To adjust belt tracking:

1. Ensure head plate fastening screws (U of Figure 42) on both sides of conveyor are tightened.
2. On both sides of conveyor, loosen two (2) cam fastening screws (BU). Adjust cams (BV) until indicator slots (BW) are horizontal and facing end of conveyor. Then slide cam assemblies against head plates (S) and re-tighten cam fastening screws (BU) to 7 Nm.
3. On the side toward which the belt is tracking, loosen head plate fastening screws (U).
4. With the conveyor running, use a 5 mm hex-key wrench to rotate the tracking cam (BV) in small increments until the belt tracks in the center of the conveyor. Then while holding the cam in position, re-tighten the head plate fastening screws (U) with a 4 mm hex-key wrench to 7 Nm.

Pulley Removal



Remove the conveyor belt to access the pulley(s). Perform the indicated steps of one of the following procedures:

- “Belt Removal for Conveyor Without Gearmotor Mounting Package or Stands”, page 9, steps 1 through 7.
- “Belt Removal for Conveyor With Stands and Gearmotor Mounting Package”, page 10, steps 1 through 10.

Remove desired pulley following procedures:

- Conveyor End Pulley Removal
- Module Drive Pulley Removal
- Module Idler Pulley Removal

Conveyor End Pulley Removal

1. On both sides of conveyor, loosen two (2) fastening screws (U of Figure 43). Then slide idler pulley assembly out from the conveyor frame.

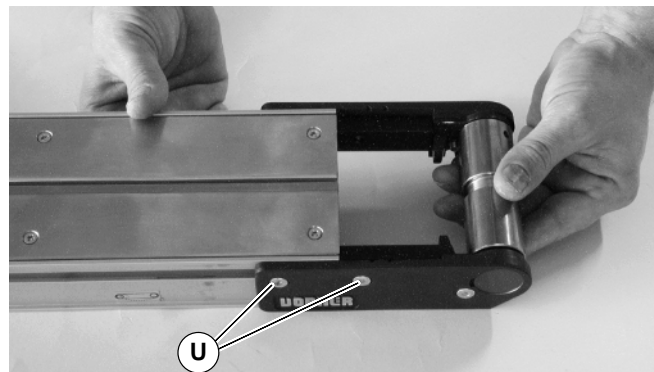


Figure 43

Preventive Maintenance and Adjustment

2. Remove bearing covers (BX of Figure 44).



Figure 44

3. With 4mm hex-key wrench, loosen pulley taper screw (BY of Figure 45). Steady pulley with second hex-key wrench (BZ) inserted into pulley hole. Repeat procedure for opposite side of pulley.

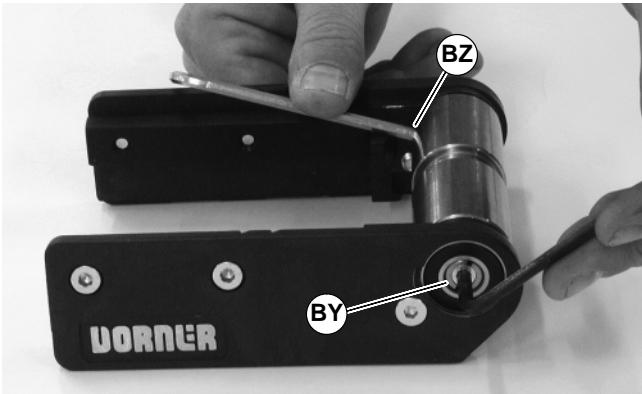


Figure 45

4. Pull head plates with bearings off from the pulley.

Drive Module Drive Pulley Removal

1. Remove the gearmotor drive package. Refer to “Gearmotor Mounting Package Removal”, page 11.
2. Remove the drive module. Refer to “Drive Module Removal”, page 12.
3. Remove the drive pulley. Refer to “Belt Removal from Drive Module”, page 12, steps 1 and 2.

Drive Module Idler Pulley Removal

1. Remove the gearmotor drive package. Refer to “Gearmotor Mounting Package Removal”, page 11.
2. Remove the drive module. Refer to “Drive Module Removal”, page 12.
3. Remove the grooved idler pulley. Refer to “Belt Removal from Drive Module”, page 12, step 3.
4. Remove smooth idler pulleys:
 - For 44 mm, 70 mm or 95 mm wide conveyor, detach E-ring clips and remove washers (CA of Figure 46). Remove pulley shafts (CB) and pulleys (CC).

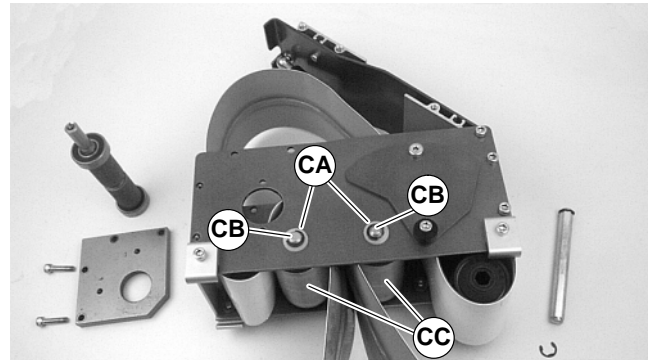


Figure 46

- For 127 mm or wider conveyor, depress both sides of each spring-loaded shaft (CD of Figure 47). Remove pulleys (CE).

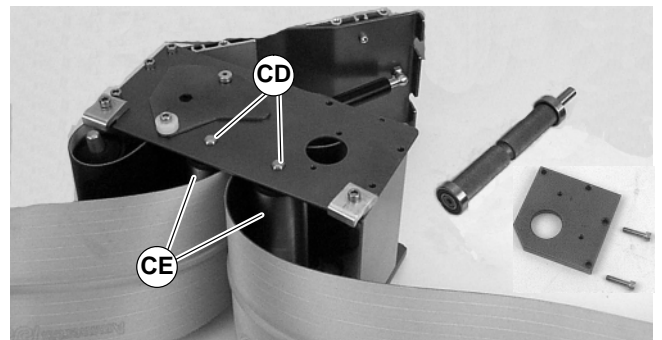


Figure 47

Preventive Maintenance and Adjustment

Conveyor Pulley Bearing Replacement

Removal

1. Turn bearing (CF of Figure 48) to align with slots (CH) in head plate. Then remove bearing.



Figure 48

Replacement

1. Inspect head plate bearing surface. If worn or damaged, replace head plate. See “Service Parts”, page 40.
2. Insert bearing (CF of Figure 49) into head plate slot and twist bearing to fit into bearing enclosure.

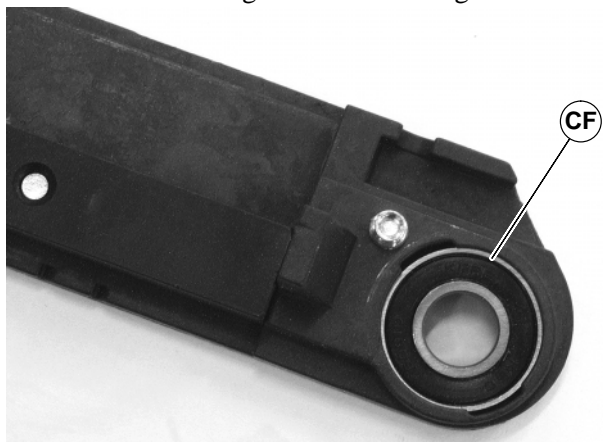


Figure 49

Bearing Replacement for Drive Pulley

IMPORTANT: Once removed, do not re-use bearings.

Bearing Removal

1. Locate drive pulley (CI of Figure 50) in a standard bearing separator (CJ) as shown.

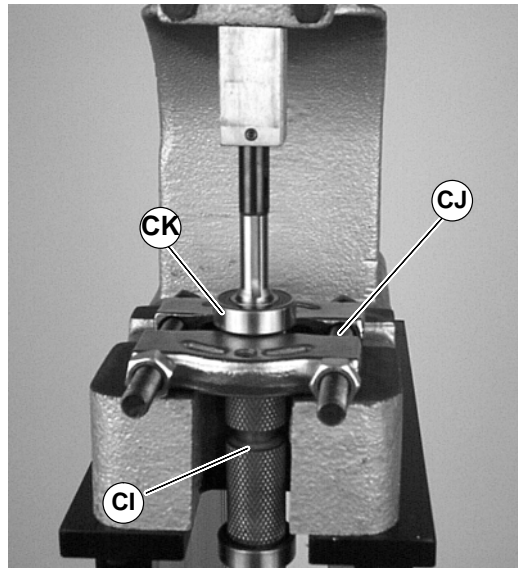


Figure 50

2. Using arbor press or similar device, press-off bearing (CK).

Bearing Installation

1. Inspect seating surface(s) for damage. Replace if damaged.
2. Place two (2) 5/8 flat washers, or equivalent (CL of Figure 51), over the pulley shaft (CM) and against bearing (CK) (part # 802-124).

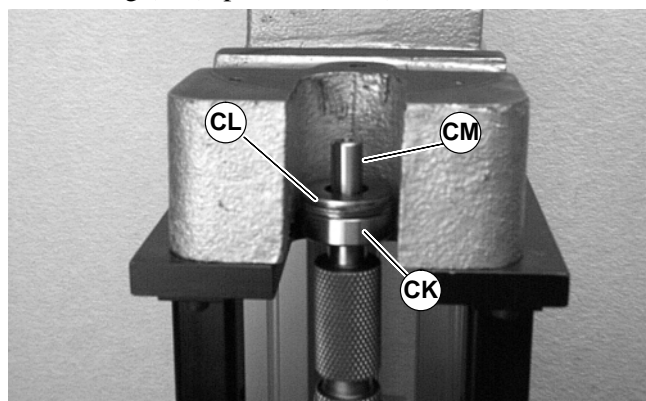


Figure 51

3. Place the shaft of tool (part # 450282) (CN of Figure 52) over pulley shaft (CM).

Preventive Maintenance and Adjustment

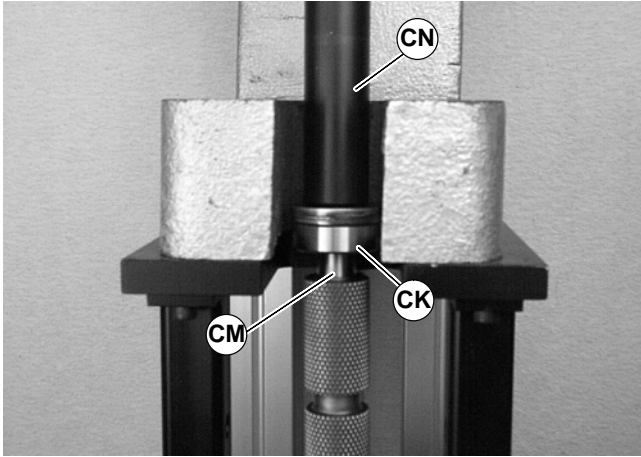


Figure 52

4. Using arbor press or similar device, press bearing onto pulley shaft as shown.

Bearing Replacement for Idler Pulleys

NOTE: Bearings can not be removed from idler pulleys. Replace entire pulley, when worn. See Service Parts section on page 40.

Pulley Replacement

Conveyor End Pulley

1. With bearing installed in head plate, press bearing on to shaft (CH of Figure 53) of pulley. Repeat for both sides of pulley.

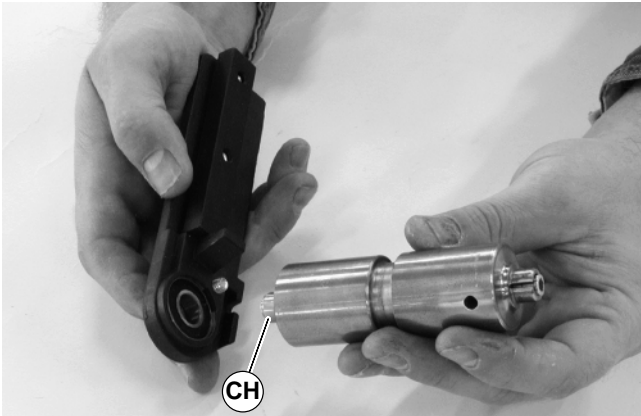


Figure 53

NOTE: DO NOT tighten shaft bearing taper screws at this time.

2. Install pulley assembly on conveyor. On both sides of conveyor, hand tighten fastening screws (U of Figure 54).



Figure 54

3. On both sides of pulley, use a 4mm hex-key wrench to tighten pulley taper screw (BY of Figure 55) to 8.5 Nm. Steady pulley with second hex-key wrench (BZ) inserted into pulley hole.

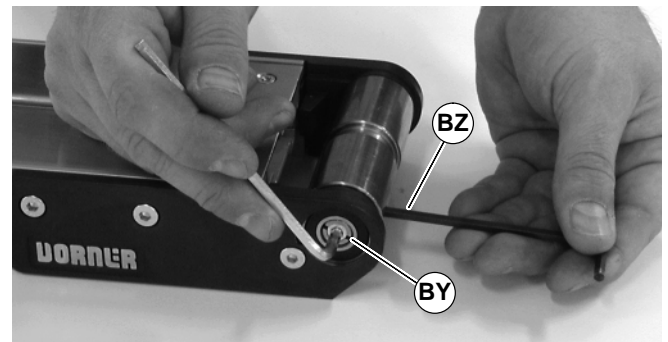


Figure 55

4. Install bearing covers (BX of Figure 56).

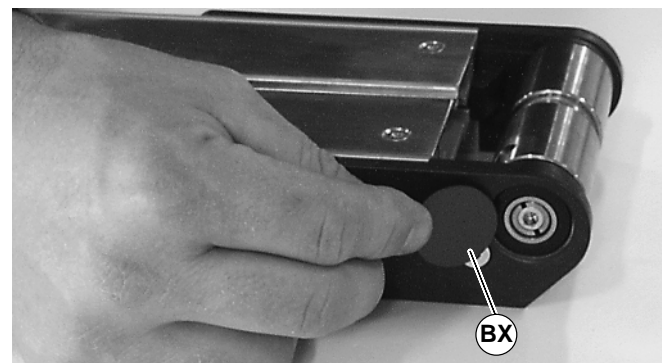


Figure 56

5. Re-install belt on end of conveyor, then tension the belt. See "Conveyor Tension End Adjustment", page 14.
6. Re-position the cam assemblies against the head plates and adjust belt tracking. See "Conveyor Belt Tracking", page 16.

Preventive Maintenance and Adjustment


Drive Module Drive Pulley

1. Reverse “Drive Module Drive Pulley Removal” procedure on page 17.
2. Re-install belt on end of conveyor, then tension the belt. See “Conveyor Tension End Adjustment”, page 14.
3. Re-position the cam assemblies against the head plates and adjust belt tracking. See “Conveyor Belt Tracking”, page 16.

Drive Module Idler Pulley

1. Reverse “Drive Module Idler Pulley Removal” procedure on page 17.
2. Re-install belt on end of conveyor, then tension the belt. See “Conveyor Tension End Adjustment”, page 14.
3. Re-position the cam assemblies against the head plates and adjust belt tracking. See “Conveyor Belt Tracking”, page 16.

Nose Bar Bearing Replacement

| | |
|--|---|
|  | <p>! WARNING</p> <p>Exposed moving parts can cause severe injury.</p> <p>LOCK OUT POWER before removing guards or performing maintenance.</p> |
|--|---|

1. Remove the conveyor belt to access the bearings. Perform the indicated steps of one of the following procedures:
 - “Belt Removal for Conveyor Without Gearmotor Mounting Package or Stands”, page 9, steps 1 through 7.

- “Belt Removal for Conveyor With Stands and Gearmotor Mounting Package”, page 10, steps 1 through 10.

2. On one side of conveyor, use a 3 mm and 4 mm hex-key wrench to remove head plate fastening screws (CP & U of Figure 57) and remove head plate (S).

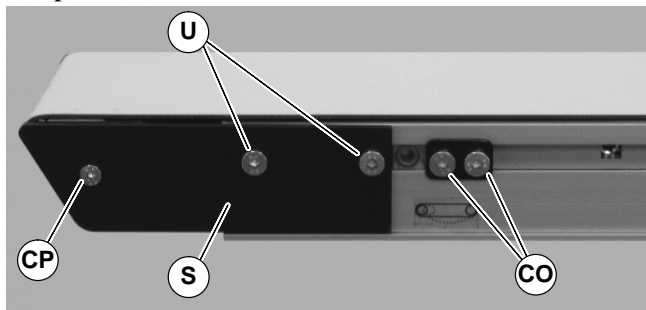


Figure 57

3. Slide bearing rods (CQ of Figure 58) out side of conveyor and replace bearings (CR) as necessary.

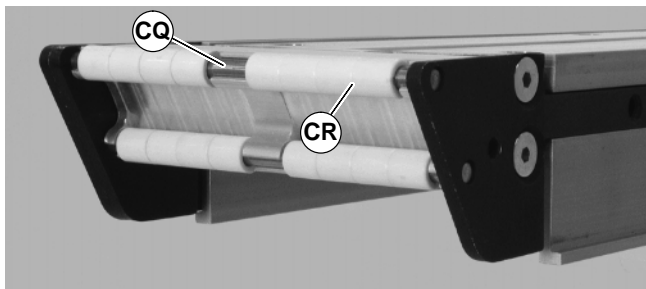
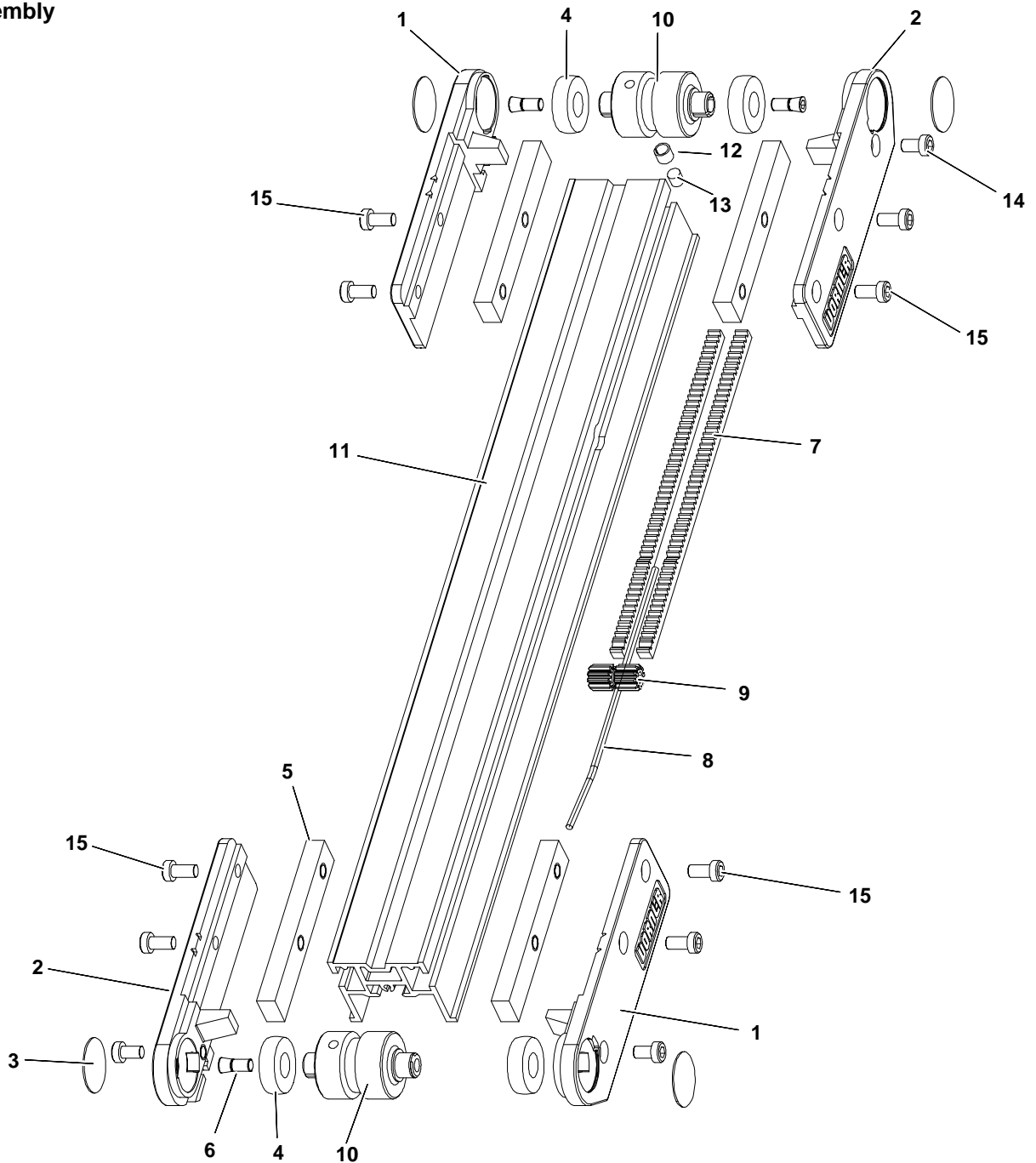


Figure 58

4. After replacing bearings, re-install head plate (S of Figure 57). Use a 3 mm hex-key wrench to tighten one (1) fastening screw (CP) to 3.4 Nm. Leave two (2) fastening screws (U) loose for belt tensioning.
5. Re-install belt on end of conveyor, then tension the belt. See “Conveyor Tension End Adjustment”, page 14.
6. Re-position the cam assemblies against the head plates and adjust belt tracking. See “Conveyor Belt Tracking”, page 16.

NOTE: For replacement parts other than those shown on this page, contact an authorized Dorner Service Center or the factory.

51mm Wide Conveyor Assembly

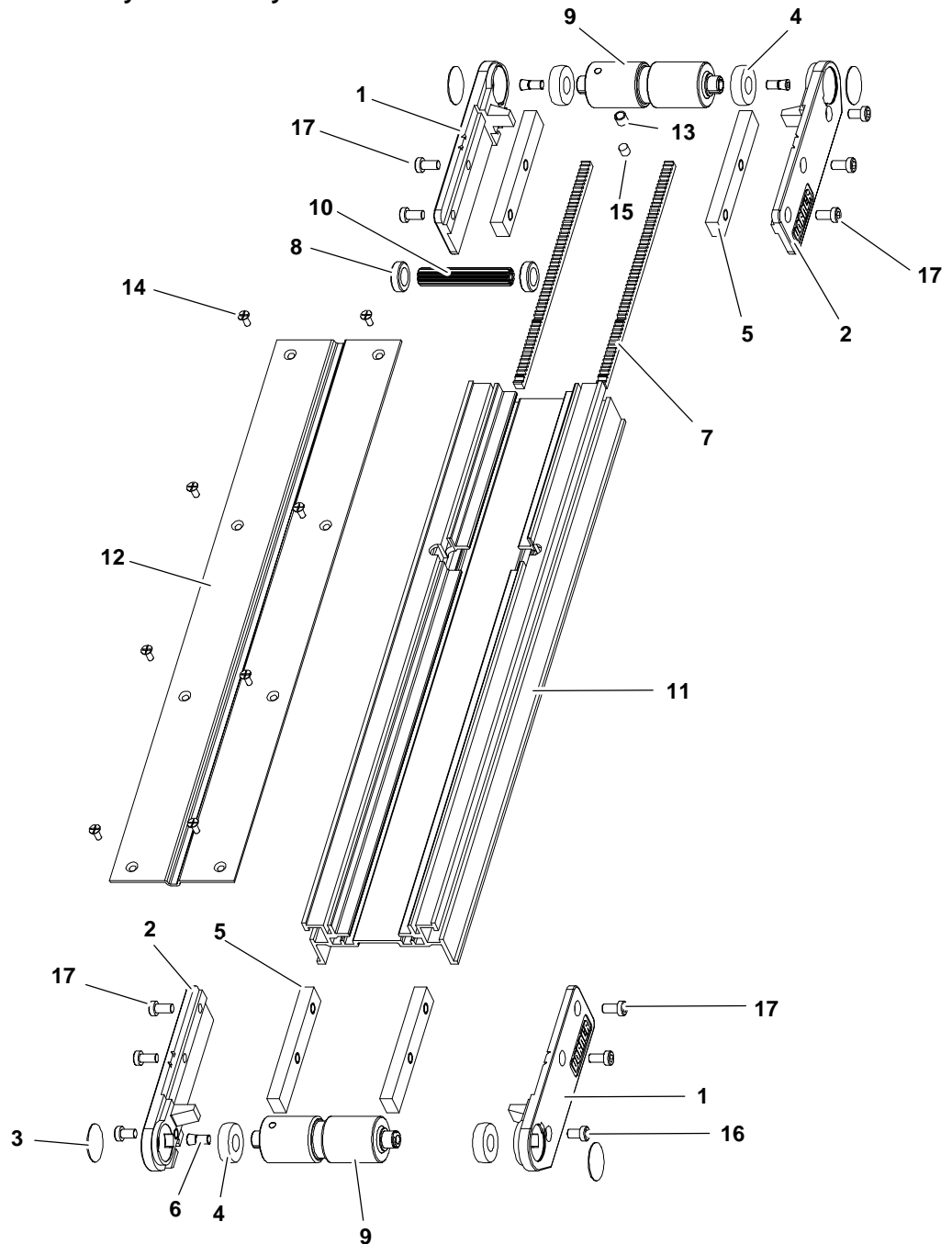


Service Parts

| Item | Part Number | Description |
|------|-----------------|------------------------------------|
| 1 | 240325 | Head Plate LH |
| 2 | 240326 | Head Plate RH |
| 3 | 240327 | Bearing Cover Disk |
| 4 | 240328 | Bearing |
| 5 | 240329 | Tension Slide Bar |
| 6 | 240330 | Taper Screw |
| 7 | 240420 | Rack Gear 14.5 PA x 24 P |
| 8 | 240422 | Pinion Pin |
| 9 | 240423 | Pinion 51mm |
| 10 | 240702 | Idler Spindle 51mm |
| 11 | See Chart Below | 51mm Frame |
| 12 | 450226SSP | Sleeve, 7mm Magnet Stainless Steel |
| 13 | 808-020 | Magnet 7mm Dia x 7mm Long |
| 14 | 920691M | Socket Head Screw M6 x 10mm |
| 15 | 920692M | Socket Head Screw M6 x 12mm |

| Item 12: 51mm Conveyor Frame | | |
|------------------------------|--------------|--------------|
| Length | Part Number | |
| 610mm | 240402-01908 | |
| 914mm | 240402-03108 | |
| 1219mm | 240402-04308 | |
| 1524mm | 240402-05508 | |
| 1829mm | 240402-06708 | |
| 2134mm | 240402-07908 | |
| 2438mm | 240402-09108 | |
| 2743mm | 240402-10308 | |
| 3048mm | 240402-11508 | |
| 3353mm | 240402-12708 | |
| 3658mm | 240402-13908 | |
| 3962mm | 240402-07908 | 240402-07200 |
| 4267mm | 240402-09108 | 240402-07200 |
| 4572mm | 240402-10308 | 240402-07200 |
| 4877mm | 240402-11508 | 240402-07200 |
| 5182mm | 240402-12708 | 240402-07200 |
| 5486mm | 240402-13908 | 240402-07200 |
| 5791mm | 240402-07908 | 240402-14400 |
| 6096mm | 240402-09108 | 240402-14400 |
| 6401mm | 240402-10308 | 240402-14400 |
| 6706mm | 240402-11508 | 240402-14400 |
| 7010mm | 240402-12708 | 240402-14400 |
| 7315mm | 240402-13908 | 240402-14400 |

76mm to 152mm Wide Conveyor Assembly



Service Parts

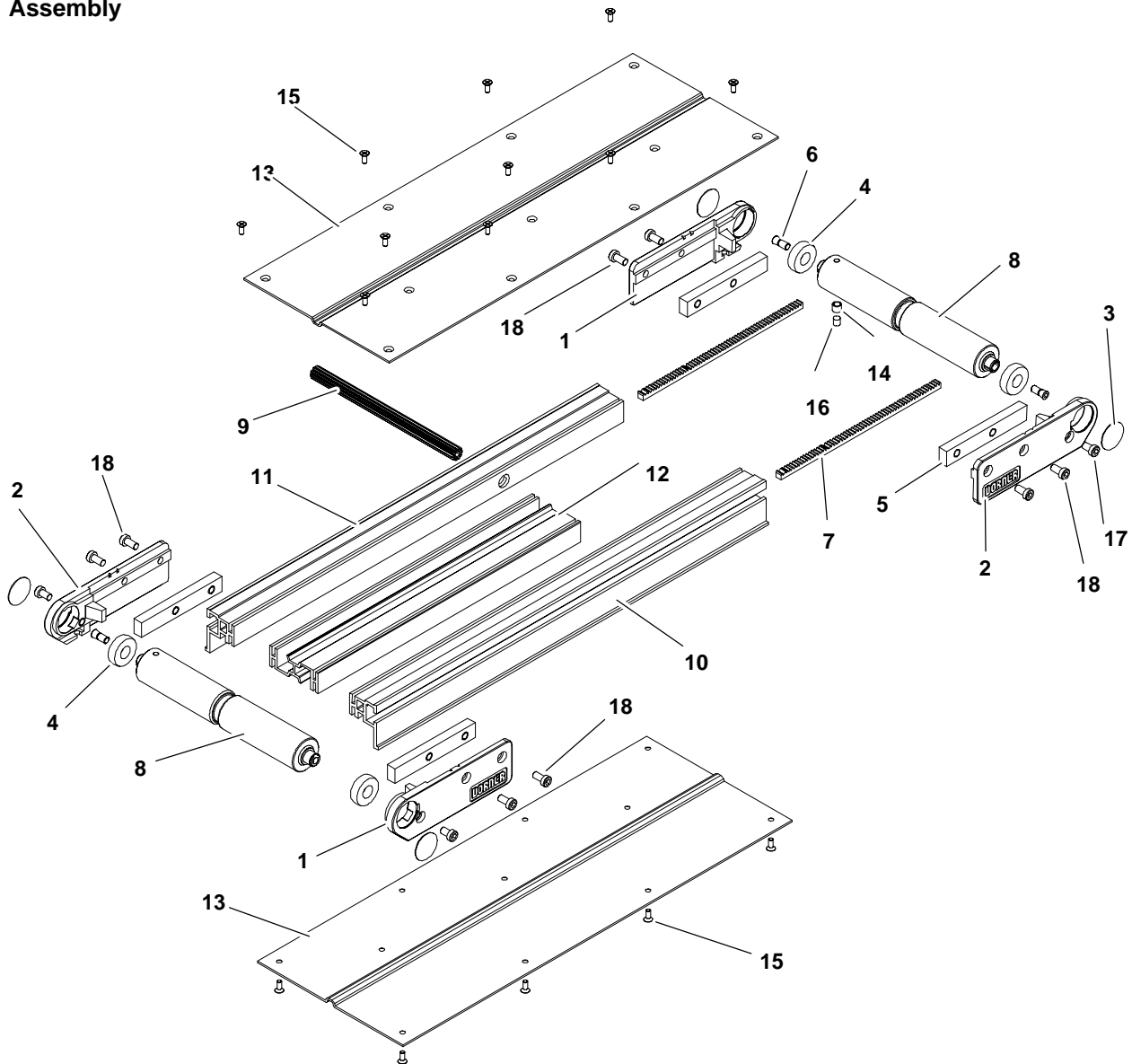
| Item | Part Number | Description |
|------|-----------------|------------------------------------|
| 1 | 240325 | Head Plate LH |
| 2 | 240326 | Head Plate RH |
| 3 | 240327 | Bearing Cover Disk |
| 4 | 240328 | Bearing |
| 5 | 240329 | Tension Slide Bar |
| 6 | 240330 | Taper Screw |
| 7 | 240420 | Rack Gear 14.5 PA x 24 P |
| 8 | 240421 | Pinion Bushing |
| 9 | 240703 | Idler Spindle 76mm |
| | 240704 | Idler Spindle 102mm |
| | 240705 | Idler Spindle 127mm |
| | 240706 | Idler Spindle 152mm |
| 10 | 203003M | Gear Pinion 76mm |
| | 203004M | Gear Pinion 102mm |
| | 203005M | Gear Pinion 127mm |
| | 203006M | Gear Pinion 152mm |
| 11 | See Chart Below | Conveyor Frame |
| 12 | See Chart Below | Bed Plate |
| 13 | 450226SSP | Sleeve, 7mm Magnet Stainless Steel |
| 14 | 807-1074 | Flat Head Screw M4 x 10mm |
| 15 | 808-020 | Magnet 7mm Dia x 7mm Long |
| 16 | 920691M | Socket Head Screw M6 x 10mm |
| 17 | 920692M | Socket Head Screw M6 x 12mm |

| Item 11: Conveyor Frame | |
|-------------------------|--------------|
| Length | Part Number |
| 610mm | 2404WW-01908 |
| 914mm | 2404WW-03108 |
| 1219mm | 2404WW-04308 |
| 1524mm | 2404WW-05508 |
| 1829mm | 2404WW-06708 |
| 2134mm | 2404WW-07908 |
| 2438mm | 2404WW-09108 |
| 2743mm | 2404WW-10308 |
| 3048mm | 2404WW-11508 |
| 3353mm | 2404WW-12708 |
| 3658mm | 2404WW-13908 |

| | | |
|---|--------------|--------------|
| 3962mm | 2404WW-07908 | 2404WW-07200 |
| 4267mm | 2404WW-09108 | 2404WW-07200 |
| 4572mm | 2404WW-10308 | 2404WW-07200 |
| 4877mm | 2404WW-11508 | 2404WW-07200 |
| 5182mm | 2404WW-12708 | 2404WW-07200 |
| 5486mm | 2404WW-13908 | 2404WW-07200 |
| 5791mm | 2404WW-07908 | 2404WW-14400 |
| 6096mm | 2404WW-09108 | 2404WW-14400 |
| 6401mm | 2404WW-10308 | 2404WW-14400 |
| 6706mm | 2404WW-11508 | 2404WW-14400 |
| 7010mm | 2404WW-12708 | 2404WW-14400 |
| 7315mm | 2404WW-13908 | 2404WW-14400 |
| WW = Conveyor Width reference: 03, 04, 05, 06 | | |

| Item 12: Bed Plate | | |
|---|--------------|--------------|
| Length | Part Number | |
| 610mm | 2405WW-01904 | |
| 914mm | 2405WW-03104 | |
| 1219mm | 2405WW-04304 | |
| 1524mm | 2405WW-05504 | |
| 1829mm | 2405WW-06704 | |
| 2134mm | 2405WW-07904 | |
| 2438mm | 2405WW-09104 | |
| 2743mm | 2405WW-10304 | |
| 3048mm | 2405WW-11504 | |
| 3353mm | 2405WW-12704 | |
| 3658mm | 2405WW-13904 | |
| 4267mm | 2405WW-09108 | 2405WW-07196 |
| 4572mm | 2405WW-10308 | 2405WW-07196 |
| 4877mm | 2405WW-11508 | 2405WW-07196 |
| 5182mm | 2405WW-12708 | 2405WW-07196 |
| 5486mm | 2405WW-13908 | 2405WW-07196 |
| 5791mm | 2405WW-07908 | 2405WW-14396 |
| 6096mm | 2405WW-09108 | 2405WW-14396 |
| 6401mm | 2405WW-10308 | 2405WW-14396 |
| 6706mm | 2405WW-11508 | 2405WW-14396 |
| 7010mm | 2405WW-12708 | 2405WW-14396 |
| 7315mm | 2405WW-13908 | 2405WW-14396 |
| WW = Conveyor Width reference: 03, 04, 05, 06 | | |

203mm to 605mm Wide Conveyor Assembly



| Item | Part Number | Description |
|------|-------------|-------------------------|
| 1 | 240325 | Head Plate LH |
| 2 | 240326 | Head Plate RH |
| 3 | 240327 | Bearing Cover Disk |
| 4 | 240328 | Bearing |
| 5 | 240329 | Tension Slide Bar |
| 6 | 240330 | Taper Screw |
| 7 | 240420 | Rack Gear 14.5 PA x 24P |
| 8 | 240708 | Idler Spindle 203mm |
| | 240710 | Idler Spindle 254mm |
| | 240712 | Idler Spindle 305mm |
| 9 | 203008M | Pinion Gear 203mm |
| | 203010M | Pinion Gear 254mm |
| | 203012M | Pinion Gear 305mm |

| | | |
|----|-----------------|-----------------------------------|
| 10 | See Chart Below | Side Rail RH Wide 203–610mm |
| 11 | See Chart Below | Side Rail LH Wide 203–610mm |
| 12 | See Chart Below | Center Rail Wide 203–305mm |
| 13 | See Chart Below | Bed Plate |
| 14 | 450226SSP | Sleeve 7mm Magnet Stainless Steel |
| 15 | 807–1074 | Flat Head Screw M4 x 10mm |
| 16 | 808–020 | Magnet 7mm DIA x 7mm Long |
| 17 | 920691M | Socket Head Screw M6 x 10mm |
| 18 | 920692M | Socket Head Screw M6 x 12mm |

Service Parts

| Item 10: Side Rail RH Wide 203–610mm | | |
|--------------------------------------|--------------|--------------|
| Length | Part Number | |
| 610mm | 240412-01908 | |
| 914mm | 240412-03108 | |
| 1219mm | 240412-04308 | |
| 1524mm | 240412-05508 | |
| 1829mm | 240412-06708 | |
| 2134mm | 240412-07908 | |
| 2438mm | 240412-09108 | |
| 2743mm | 240412-10308 | |
| 3048mm | 240412-11508 | |
| 3353mm | 240412-12708 | |
| 3658mm | 240412-13908 | |
| 3962mm | 240412-07908 | 240412-07200 |
| 4267mm | 240412-09108 | 240412-07200 |
| 4572mm | 240412-10308 | 240412-07200 |
| 4877mm | 240412-11508 | 240412-07200 |
| 5182mm | 240412-12708 | 240412-07200 |
| 5486mm | 240412-13908 | 240412-07200 |
| 5791mm | 240412-07908 | 240412-14400 |
| 6096mm | 240412-09108 | 240412-14400 |
| 6401mm | 240412-10308 | 240412-14400 |
| 6706mm | 240412-11508 | 240412-14400 |
| 7010mm | 240412-12708 | 240412-14400 |
| 7315mm | 240412-13908 | 240412-14400 |

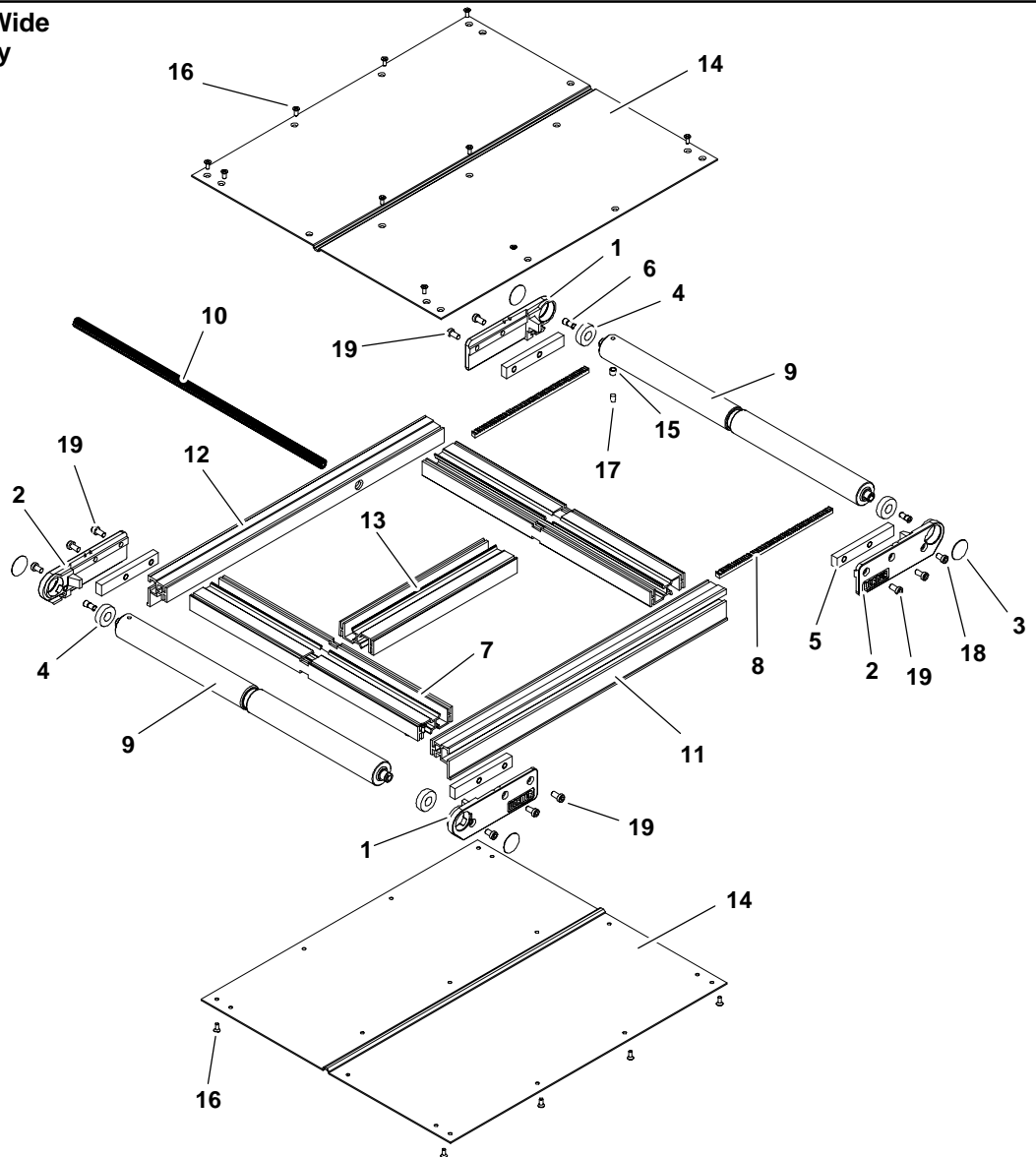
| Item 11: Side Rail LH Wide 203–610mm | | |
|--------------------------------------|--------------|--------------|
| Length | Part Number | |
| 610mm | 240413-01908 | |
| 914mm | 240413-03108 | |
| 1219mm | 240413-04308 | |
| 1524mm | 240413-05508 | |
| 1829mm | 240413-06708 | |
| 2134mm | 240413-07908 | |
| 2438mm | 240413-09108 | |
| 2743mm | 240413-10308 | |
| 3048mm | 240413-11508 | |
| 3353mm | 240413-12708 | |
| 3658mm | 240413-13908 | |
| 3962mm | 240413-07908 | 240413-07200 |
| 4267mm | 240413-09108 | 240413-07200 |
| 4572mm | 240413-10308 | 240413-07200 |
| 4877mm | 240413-11508 | 240413-07200 |
| 5182mm | 240413-12708 | 240413-07200 |
| 5486mm | 240413-13908 | 240413-07200 |
| 5791mm | 240413-07908 | 240413-14400 |
| 6096mm | 240413-09108 | 240413-14400 |
| 6401mm | 240413-10308 | 240413-14400 |
| 6706mm | 240413-11508 | 240413-14400 |
| 7010mm | 240413-12708 | 240413-14400 |
| 7315mm | 240413-13908 | 240413-14400 |

| Item 12: Center Rail Wide 203–305mm | | |
|-------------------------------------|--------------|--------------|
| Length | Part Number | |
| 610mm | 240414-00998 | |
| 914mm | 240414-02198 | |
| 1219mm | 240414-03398 | |
| 1524mm | 240414-04598 | |
| 1829mm | 240414-05798 | |
| 2134mm | 240414-06998 | |
| 2438mm | 240414-08198 | |
| 2743mm | 240414-09398 | |
| 3048mm | 240414-10598 | |
| 3353mm | 240414-11798 | |
| 3658mm | 240414-12998 | |
| 3962mm | 240414-06998 | 240414-06700 |
| 4267mm | 240414-08198 | 240414-06700 |
| 4572mm | 240414-09398 | 240414-06700 |
| 4877mm | 240414-10598 | 240414-06700 |
| 5182mm | 240414-11798 | 240414-06700 |
| 5486mm | 240414-12998 | 240414-06700 |
| 5791mm | 240414-06998 | 240414-14400 |
| 6096mm | 240414-08198 | 240414-14400 |
| 6401mm | 240414-09398 | 240414-14400 |
| 6706mm | 240414-10598 | 240414-14400 |
| 7010mm | 240414-11798 | 240414-14400 |
| 7315mm | 240414-12998 | 240414-14400 |

| Item 13: Bed Plate | | |
|--------------------|--------------|--------------|
| Length | Part Number | |
| 610mm | 2405WW-01904 | |
| 914mm | 2405WW-03104 | |
| 1219mm | 2405WW-04304 | |
| 1524mm | 2405WW-05504 | |
| 1829mm | 2405WW-06704 | |
| 2134mm | 2405WW-07904 | |
| 2438mm | 2405WW-09104 | |
| 2743mm | 2405WW-10394 | |
| 3048mm | 2405WW-11504 | |
| 3353mm | 2405WW-12704 | |
| 3658mm | 2405WW-13904 | |
| 3962mm | 2405WW-07904 | 2405WW-07196 |
| 4267mm | 2405WW-09104 | 2405WW-07196 |
| 4572mm | 2405WW-10304 | 2405WW-07196 |
| 4877mm | 2405WW-11504 | 2405WW-07196 |
| 5182mm | 2405WW-12704 | 2405WW-07196 |
| 5486mm | 2405WW-13904 | 2405WW-07196 |
| 5791mm | 2405WW-07908 | 2405WW-14396 |
| 6096mm | 2405WW-09108 | 2405WW-14396 |
| 6401mm | 2405WW-10308 | 2405WW-14396 |
| 6706mm | 2405WW-11508 | 2405WW-14396 |
| 7010mm | 2405WW-12708 | 2405WW-14396 |
| 7315mm | 2405WW-13908 | 2405WW-14396 |

WW = Conveyor Width reference: 08, 10, 12

457mm to 610mm Wide Conveyor Assembly



| Item | Part Number | Description |
|------|-------------|---------------------------------|
| 1 | 240325 | Head Plate LH |
| 2 | 240326 | Head Plate RH |
| 3 | 240327 | Bearing Cover Disk |
| 4 | 240328 | Bearing |
| 5 | 240329 | Tension Slide Bar |
| 6 | 240330 | Taper Screw |
| 7 | 240417 | Center Rail Cross Support 457mm |
| | 240418 | Center Rail Cross Support 533mm |
| | 240419 | Center Rail Cross Support 610mm |
| 8 | 240420 | Rack Gear 14.5 PA x 24P |
| 9 | 240718 | Idler Spindle 457mm |
| | 240721 | Idler Spindle 533mm |
| | 240724 | Idler Spindle 610mm |
| 10 | 203018M | Pinion Gear 457mm |
| | 203021M | Pinion Gear 533mm |

| | | |
|----|-----------------|-----------------------------------|
| | 203024M | Pinion Gear 610mm |
| 11 | See Chart Below | Side Rail RH Wide 203–610mm |
| 12 | See Chart Below | Side Rail LH Wide 203–610mm |
| 13 | See Chart Below | Center Rail Wide 203–305mm |
| 14 | See Chart Below | Bed Plate |
| 15 | 450226SSP | Sleeve 7mm Magnet Stainless Steel |
| 16 | 807–1074 | Flat Head Screw M4 x 10mm |
| 17 | 808–020 | Magnet 7mm DIA x 7mm Long |
| 18 | 920691M | Socket Head Screw M6 x 10mm |
| 19 | 920692M | Socket Head Screw M6 x 12mm |

Service Parts

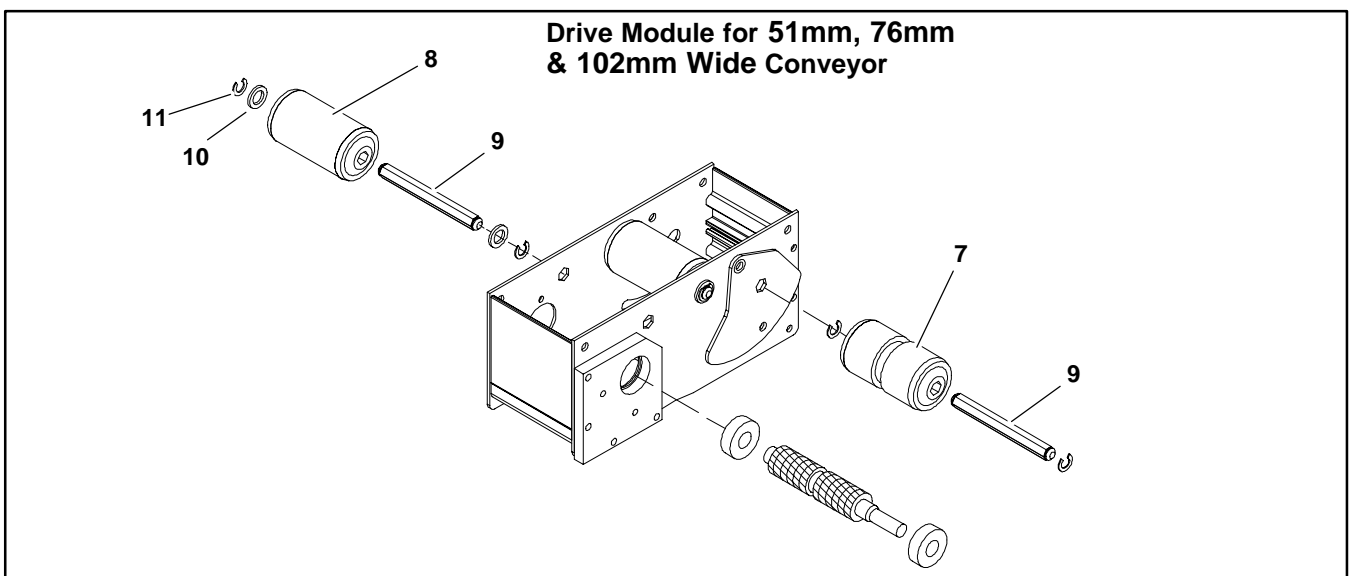
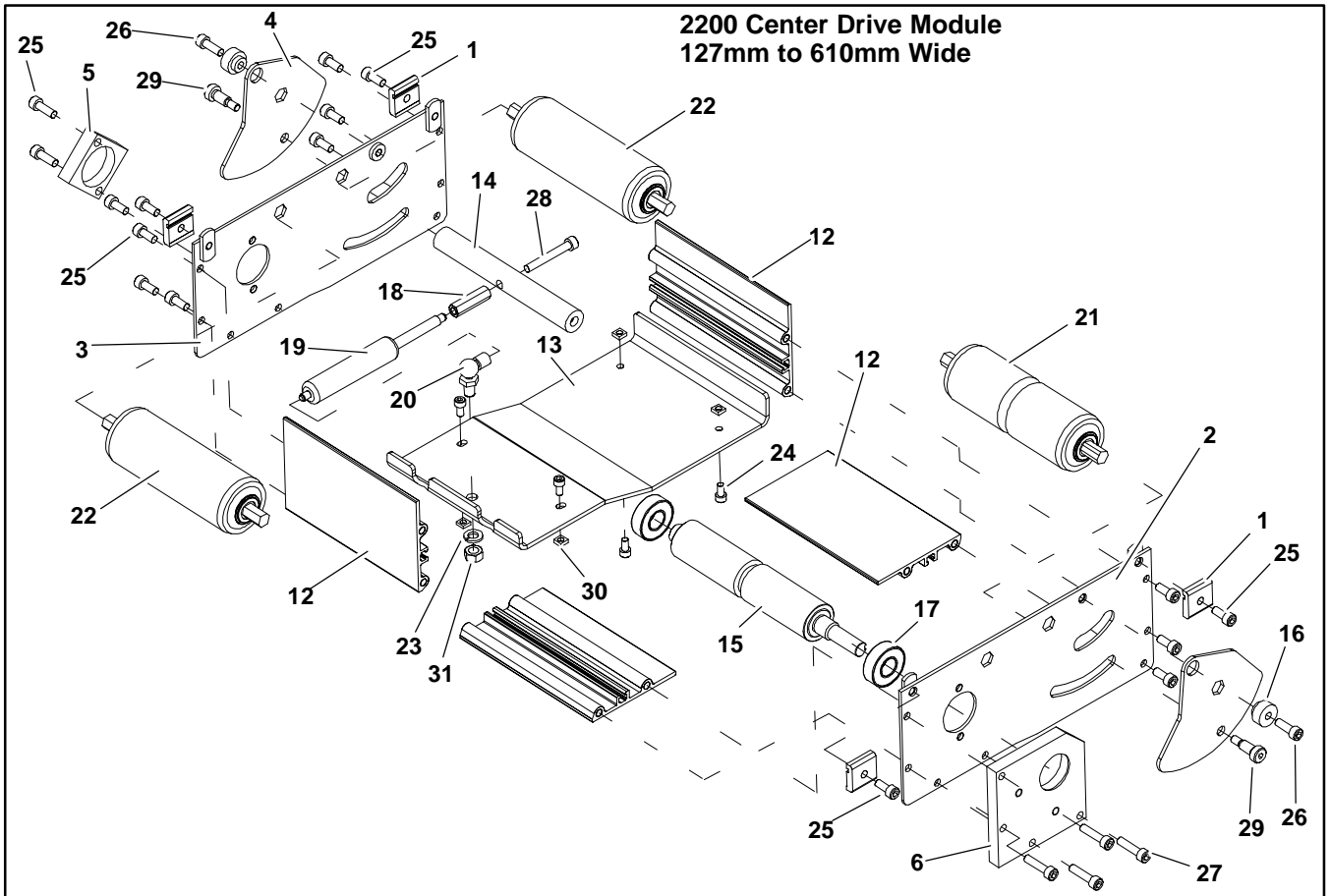
| Item 10: Side Rail RH Wide 203–610mm | | |
|--------------------------------------|--------------|--------------|
| Length | Part Number | |
| 610mm | 240412-01908 | |
| 914mm | 240412-03108 | |
| 1219mm | 240412-04308 | |
| 1524mm | 240412-05508 | |
| 1829mm | 240412-06708 | |
| 2134mm | 240412-07908 | |
| 2438mm | 240412-09108 | |
| 2743mm | 240412-10308 | |
| 3048mm | 240412-11508 | |
| 3353mm | 240412-12708 | |
| 3658mm | 240412-13908 | |
| 3962mm | 240412-07908 | 240412-07200 |
| 4267mm | 240412-09108 | 240412-07200 |
| 4572mm | 240412-10308 | 240412-07200 |
| 4877mm | 240412-11508 | 240412-07200 |
| 5182mm | 240412-12708 | 240412-07200 |
| 5486mm | 240412-13908 | 240412-07200 |
| 5791mm | 240412-07908 | 240412-14400 |
| 6096mm | 240412-09108 | 240412-14400 |
| 6401mm | 240412-10308 | 240412-14400 |
| 6706mm | 240412-11508 | 240412-14400 |
| 7010mm | 240412-12708 | 240412-14400 |
| 7315mm | 240412-13908 | 240412-14400 |

| Item 11: Side Rail LH Wide 203–610mm | | |
|--------------------------------------|--------------|--------------|
| Length | Part Number | |
| 610mm | 240413-01908 | |
| 914mm | 240413-03108 | |
| 1219mm | 240413-04308 | |
| 1524mm | 240413-05508 | |
| 1829mm | 240413-06708 | |
| 2134mm | 240413-07908 | |
| 2438mm | 240413-09108 | |
| 2743mm | 240413-10308 | |
| 3048mm | 240413-11508 | |
| 3353mm | 240413-12708 | |
| 3658mm | 240413-13908 | |
| 3962mm | 240413-07908 | 240413-07200 |
| 4267mm | 240413-09108 | 240413-07200 |
| 4572mm | 240413-10308 | 240413-07200 |
| 4877mm | 240413-11508 | 240413-07200 |
| 5182mm | 240413-12708 | 240413-07200 |
| 5486mm | 240413-13908 | 240413-07200 |
| 5791mm | 240413-07908 | 240413-14400 |
| 6096mm | 240413-09108 | 240413-14400 |
| 6401mm | 240413-10308 | 240413-14400 |
| 6706mm | 240413-11508 | 240413-14400 |
| 7010mm | 240413-12708 | 240413-14400 |
| 7315mm | 240413-13908 | 240413-14400 |

| Item 12: Center Rail Wide 203–305mm | | |
|-------------------------------------|--------------|--------------|
| Length | Part Number | |
| 610mm | 240414-00998 | |
| 914mm | 240414-02198 | |
| 1219mm | 240414-03398 | |
| 1524mm | 240414-04598 | |
| 1829mm | 240414-05798 | |
| 2134mm | 240414-06998 | |
| 2438mm | 240414-08198 | |
| 2743mm | 240414-09398 | |
| 3048mm | 240414-10598 | |
| 3353mm | 240414-11798 | |
| 3658mm | 240414-12998 | |
| 3962mm | 240414-06998 | 240414-06700 |
| 4267mm | 240414-08198 | 240414-06700 |
| 4572mm | 240414-09398 | 240414-06700 |
| 4877mm | 240414-10598 | 240414-06700 |
| 5182mm | 240414-11798 | 240414-06700 |
| 5486mm | 240414-12998 | 240414-06700 |
| 5791mm | 240414-06998 | 240414-14400 |
| 6096mm | 240414-08198 | 240414-14400 |
| 6401mm | 240414-09398 | 240414-14400 |
| 6706mm | 240414-10598 | 240414-14400 |
| 7010mm | 240414-11798 | 240414-14400 |
| 7315mm | 240414-12998 | 240414-14400 |

| Item 13: Bed Plate | | |
|--------------------|--------------|--------------|
| Length | Part Number | |
| 610mm | 2405WW-01904 | |
| 914mm | 2405WW-03104 | |
| 1219mm | 2405WW-04304 | |
| 1524mm | 2405WW-05504 | |
| 1829mm | 2405WW-06704 | |
| 2134mm | 2405WW-07904 | |
| 2438mm | 2405WW-09104 | |
| 2743mm | 2405WW-10394 | |
| 3048mm | 2405WW-11504 | |
| 3353mm | 2405WW-12704 | |
| 3658mm | 2405WW-13904 | |
| 3962mm | 2405WW-07904 | 2405WW-07196 |
| 4267mm | 2405WW-09104 | 2405WW-07196 |
| 4572mm | 2405WW-10304 | 2405WW-07196 |
| 4877mm | 2405WW-11504 | 2405WW-07196 |
| 5182mm | 2405WW-12704 | 2405WW-07196 |
| 5486mm | 2405WW-13904 | 2405WW-07196 |
| 5791mm | 2405WW-07908 | 2405WW-14396 |
| 6096mm | 2405WW-09108 | 2405WW-14396 |
| 6401mm | 2405WW-10308 | 2405WW-14396 |
| 6706mm | 2405WW-11508 | 2405WW-14396 |
| 7010mm | 2405WW-12708 | 2405WW-14396 |
| 7315mm | 2405WW-13908 | 2405WW-14396 |

WW = Conveyor Width reference: 08, 10, 12



| Item | Part Number | Description |
|------|-------------|------------------------------|
| 1 | 204566 | Module Mounting Clip |
| 2 | 202633M | Side Plate LH |
| 3 | 202634M | Side Plate RH |
| 4 | 463026 | Pivot Tension Plate |
| 5 | 463028M | Bearing Mounting Block |
| 6 | 463029M | Bearing-Drive Mounting Plate |

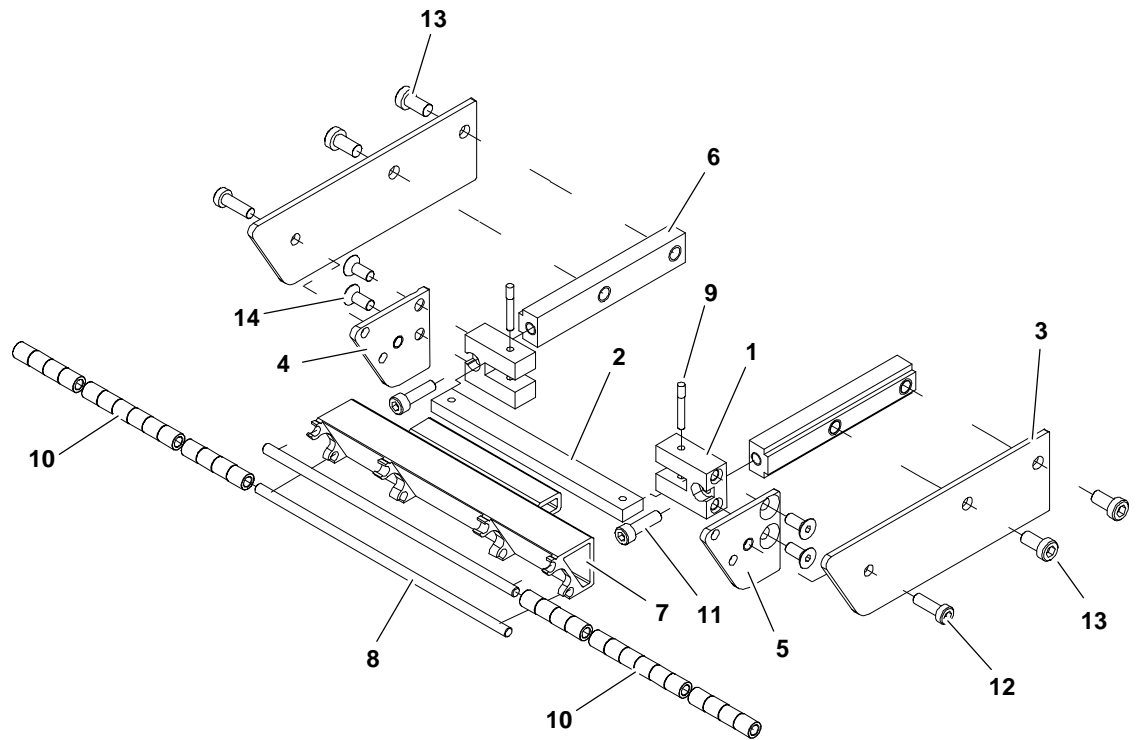
| | | |
|---|----------|----------------------------------|
| 7 | 463044 | Roller 51mm .44hex Grv 51mm |
| | 463045 | Roller 51mm .44hex Grv 76mm |
| | 807-1001 | Roller 51mm .44hex Grv 102mm |
| 8 | 463046 | Roller 51mm .44hex SS Flat 51mm |
| | 807-1007 | Roller 51mm .44hex SS Flat 76mm |
| | 807-1008 | Roller 51mm .44hex SS Flat 102mm |

Service Parts

| | | |
|---------|--------------------------------|---------------------------------|
| 9 | 915-215 | E-Ring Clip (0.44 diameter) |
| 10 | 801-115 | Washer |
| 11 | 463402 | Pulley Shaft 51mm |
| | 463403 | Pulley Shaft 76mm |
| | 463404 | Pulley Shaft 102mm |
| 12 | 463802 | Center Drive Rail 51mm |
| | 463803 | Center Drive Rail 76mm |
| | 463804 | Center Drive Rail 102mm |
| | 463805 | Center Drive Rail 127mm |
| | 463806 | Center Drive Rail 152mm |
| | 463808 | Center Drive Rail 203mm |
| | 463810 | Center Drive Rail 254mm |
| | 463812 | Center Drive Rail 305mm |
| | 463818 | Center Drive Rail 457mm |
| | 463821 | Center Drive Rail 533mm |
| 13 | 463824 | Center Drive Rail 610mm |
| | 463202M | Center Dr Bottom Cover 51mm |
| | 463203M | Center Dr Bottom Cover 76mm |
| | 463204M | Center Dr Bottom Cover 102mm |
| | 463205M | Center Dr Bottom Cover 127mm |
| | 463206M | Center Dr Bottom Cover 152mm |
| | 463208M | Center Dr Bottom Cover 203mm |
| | 463210M | Center Dr Bottom Cover 254mm |
| | 463212M | Center Dr Bottom Cover 305mm |
| | 463218M | Center Dr Bottom Cover 457mm |
| | 463205M 463208M 163208M | Center Dr Bottom Cover 533mm |
| | 463212M 463212M | Center Dr Bottom Cover 610mm |
| 14 | 463302M | Center Dr Tensioning Rod 51mm |
| | 463303M | Center Dr Tensioning Rod 76mm |
| | 463304M | Center Dr Tensioning Rod 102mm |
| | 463305M | Center Dr Tensioning Rod 127mm |
| | 463306M | Center Dr Tensioning Rod 152mm |
| | 463308M | Center Dr Tensioning Rod 203mm |
| | 463310M | Center Dr Tensioning Rod 254mm |
| | 463312M | Center Dr Tensioning Rod 305mm |
| | 463318M | Center Dr Tensioning Rod 457mm |
| | 463321M | Center Dr Tensioning Rod 533mm) |
| 463324M | Center Dr Tensioning Rod 610mm | |
| 15 | 463702M | Center Drive Spindle 51mm |
| | 463703M | Center Drive Spindle 76mm |
| | 463704M | Center Drive Spindle 102mm |
| | 463705M | Center Drive Spindle 127mm |

| | | | |
|----------|--------------------|--|--------------------------------|
| | 463706M | Center Drive Spindle 152mm | |
| | 463708M | Center Drive Spindle 203mm | |
| | 463710M | Center Drive Spindle 254mm | |
| | 463712M | Center Drive Spindle 305mm | |
| | 463718M | Center Drive Spindle 457mm | |
| | 463721M | Center Drive Spindle 533mm | |
| | 463724M | Center Drive Spindle 610mm | |
| 16 | 801-117 | Nylon Bushing | |
| 17 | 802-124 | Ball Bearing | |
| 18 | 807-983 | Hex Standoff 13mm x 35mm LG M6 | |
| 19 | 807-1040 | Gas Spring 8mm DIA x 1.97 ST 51mm Wide | |
| | 807-986 | Gas Spring 8mm DIA x 1.97 ST 76mm Wide | |
| | 807-985 | Gas Spring 8mm DIA x 1.97 ST 102-152mm Wide | |
| | 807-984 | Gas Spring 8mm DIA x 1.97 ST 203-305mm Wide | |
| | 807-985 807-985 | Gas Spring 8mm DIA x 1.97 ST 457-610mm Wide | |
| 20 | 807-987 | Steel Ball Joint M6 x M8 | |
| 21 | 807-1002 | Roller 1.9" .44 Hex Grv 127mm | |
| | 807-1003 | Roller 1.9" .44 Hex Grv 152mm | |
| | 807-1004 | Roller 1.9" .44 Hex Grv 203mm | |
| | 807-1005 | Roller 1.9" .44 Hex Grv 203mm | |
| | 807-1006 | Roller 1.9" .44 Hex Grv 305mm | |
| | 807-1091 | Roller 1.9" .44 Hex Grv 457mm | |
| | 807-1092 | Roller 1.9" .44 Hex Grv 533mm | |
| | 807-1093 | Roller 1.9" .44 Hex Grv 610mm | |
| | 22 | 807-1009 | Roller 1.9" .44 Hex Flat 51mm |
| | | 807-1010 | Roller 1.9" .44 Hex Flat 152mm |
| 807-1011 | | Roller 1.9" .44 Hex Flat 203mm | |
| 807-1012 | | Roller 1.9" .44 Hex Flat 203mm | |
| 807-1013 | | Roller 1.9" .44 Hex Flat 305mm | |
| 807-1088 | | Roller 1.9" .44 Hex Flat 457mm | |
| 807-1089 | | Roller 1.9" .44 Hex Flat 533mm | |
| | 807-1090 | Roller 1.9" .44 Hex Flat 610mm | |
| 23 | 911-120 | Spring Lock Washer | |
| 24 | 920510M | Socket Head Screw M5 x 10mm | |
| 25 | 920614M | Socket Head Screw M6 x 14mm | |
| 26 | 920618M | Socket Head Screw M6 x 18mm | |
| 27 | 920625M | Socket Head Screw M6 x 25mm | |
| 28 | 920625M | Socket Head Screw M6 x 25mm | |
| 29 | 940812M | SHLD Screw 8mm DIA x 12mm | |
| 30 | 990503M | hex Nut, Full M5 - .8 | |
| 31 | 990801M | Hex Nut, Full M8 - 1.25 | |

Nosebar End Assembly 51mm to 610mm Wide

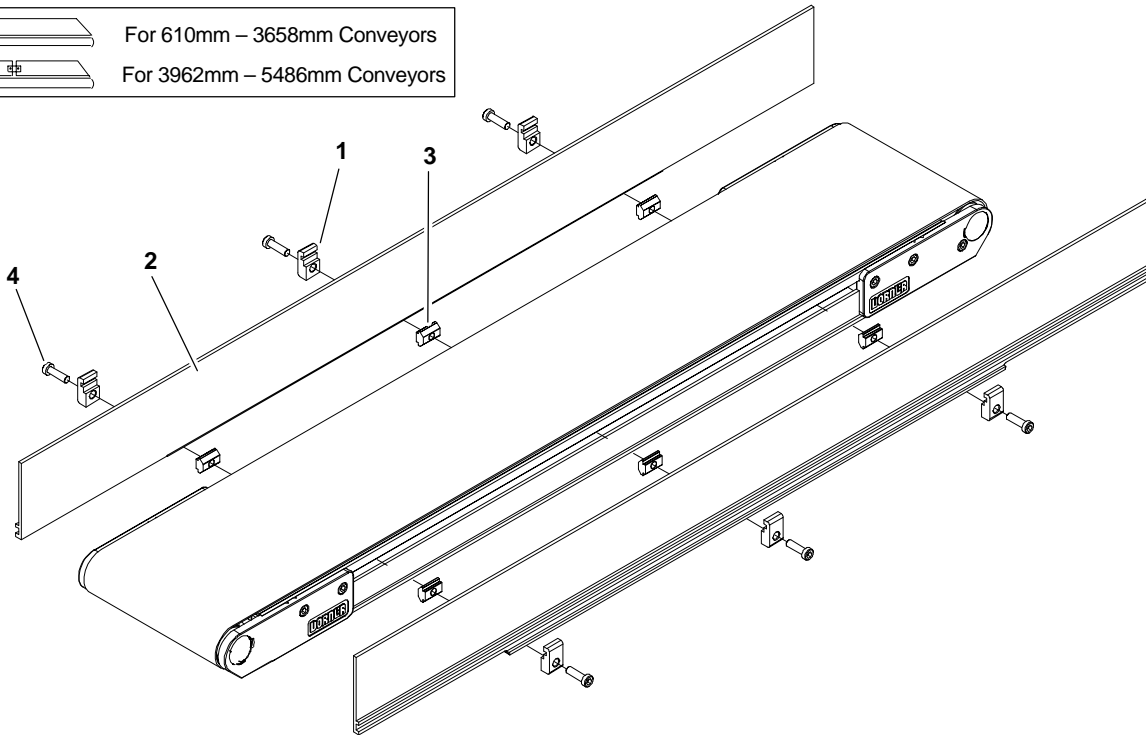
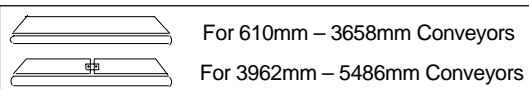


| Item | Part Number | Description |
|------|-------------|-----------------------------|
| 1 | 201965 | Mounting Block, PLT Spindle |
| 2 | 207602 | Flex-Link Bar 51mm |
| | 207603 | Flex-Link Bar 76mm |
| | 207604 | Flex-Link Bar 102mm |
| | 207605 | Flex-Link Bar 127mm |
| | 207606 | Flex-Link Bar 152mm |
| | 207608 | Flex-Link Bar 203mm |
| | 207610 | Flex-Link Bar 254mm |
| | 207612 | Flex-Link Bar 305mm |
| | 207618 | Flex-Link Bar 457mm |
| | 207621 | Flex-Link Bar 533mm |
| | 207624 | Flex-Link Bar 610mm |
| 3 | 241125 | Outer Side Plate |
| 4 | 241126 | Inner Side Plate LH |
| 5 | 241127 | Inner Side Plate RH |
| 6 | 241128 | Head Plate Bar |
| 7 | 241202 | Nosebar 51mm |
| | 241203 | Nosebar 76mm |
| | 241204 | Nosebar 102mm |
| | 241205 | Nosebar 127mm |
| | 241206 | Nosebar 152mm |
| | 241208 | Nosebar 203mm |

| | | |
|----|---------|--------------------------------|
| | 241210 | Nosebar 254mm |
| | 241212 | Nosebar 305mm |
| | 241218 | Nosebar 457mm |
| | 241221 | Nosebar 533mm |
| | 241224 | Nosebar 610mm |
| 8 | 241302 | Nosebar Rod 51mm |
| | 241303 | Nosebar Rod 76mm |
| | 241304 | Nosebar Rod 102mm |
| | 241305 | Nosebar Rod 127mm |
| | 241306 | Nosebar Rod 152mm |
| | 241308 | Nosebar Rod 203mm |
| | 241310 | Nosebar Rod 254mm |
| | 241312 | Nosebar Rod 305mm |
| | 241318 | Nosebar Rod 457mm |
| | 241321 | Nosebar Rod 533mm |
| | 241324 | Nosebar Rod 610mm |
| 9 | 200695P | Knurl Pin .125" DIA x .937" Lg |
| 10 | 801-122 | Nose Bar Roller |
| | 920518M | Socket Head Screw M5 x 18mm |
| | 920593M | Socket Head Screw M5 x 16mm |
| | 920692M | Socket Head Screw M6 x 12mm |
| | 930512M | Flat Head Screw M5 x 12mm |

Service Parts

-04 76mm Aluminum Side

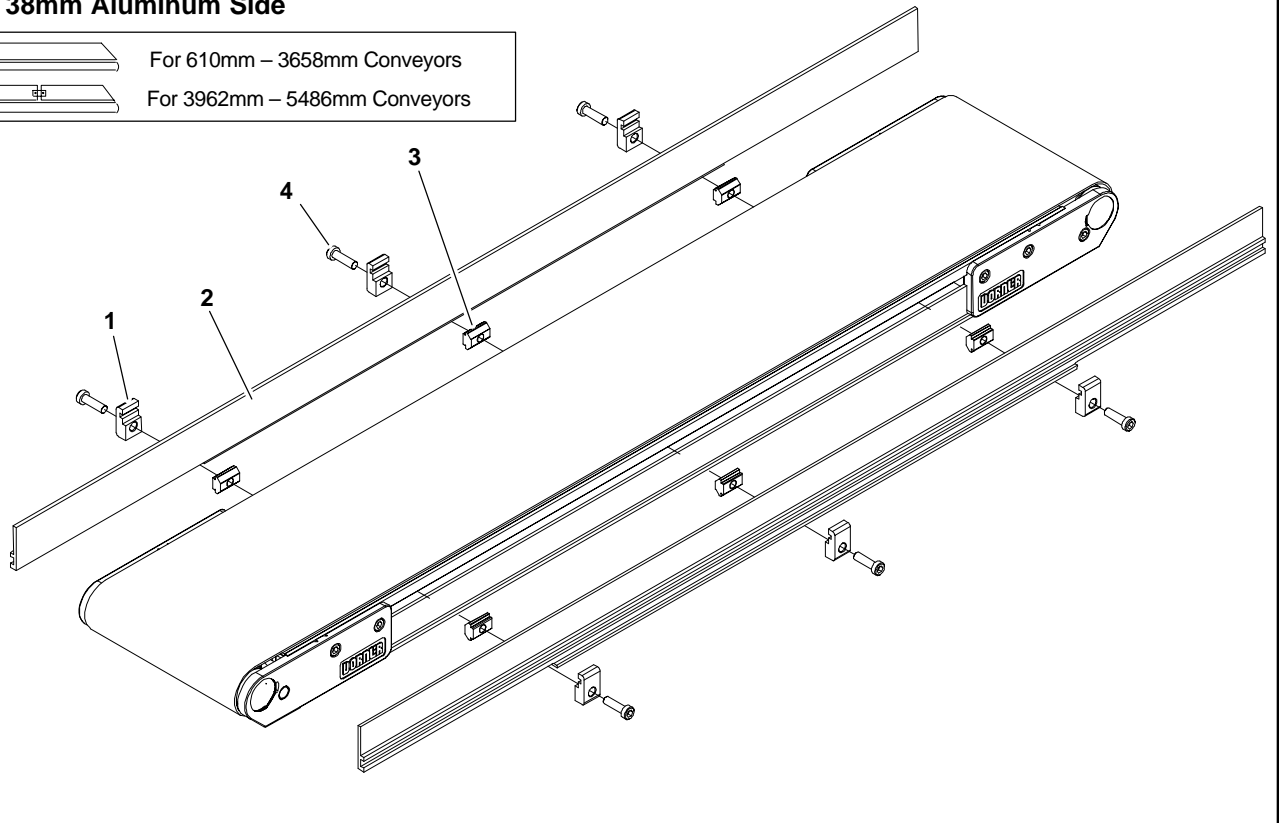
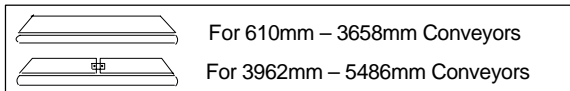


| Item | Part Number | Description |
|------|-----------------|-----------------------------|
| 1 | 200121 | Guide Retaining Clip |
| 2 | See Chart Below | 2200 Guide 76mm HS |
| 3 | 200695P | Single Drop-in Tee Bar |
| 4 | 920694M | Socket Head Screw M6 x 20mm |

| Item 2: 2200 Guide 76mm HS | | | |
|----------------------------|------------|--------------|-----------|
| Length | | End Guide | End Guide |
| 610mm | Left Hand | 280403-02400 | N/A |
| | Right Hand | 280403-02400 | N/A |
| 914mm | Left Hand | 280403-03600 | N/A |
| | Right Hand | 280403-03600 | N/A |
| 1219mm | Left Hand | 280403-04800 | N/A |
| | Right Hand | 280403-04800 | N/A |
| 1524mm | Left Hand | 280403-06000 | N/A |
| | Right Hand | 280403-06000 | N/A |
| 1829mm | Left Hand | 280403-07200 | N/A |
| | Right Hand | 280403-07200 | N/A |
| 2134mm | Left Hand | 280403-08400 | N/A |
| | Right Hand | 280403-08400 | N/A |
| 2438mm | Left Hand | 280403-09600 | N/A |
| | Right Hand | 280403-09600 | N/A |
| 2743mm | Left Hand | 280403-10800 | N/A |
| | Right Hand | 280403-10800 | N/A |
| 3048mm | Left Hand | 280403-12000 | N/A |
| | Right Hand | 280403-12000 | N/A |
| 3353mm | Left Hand | 280403-13200 | N/A |
| | Right Hand | 280403-13200 | N/A |

| | | | |
|--------|------------|--------------|--------------|
| 3658mm | Left Hand | 280403-14400 | N/A |
| | Right Hand | 280403-14400 | N/A |
| 3962mm | Left Hand | 280401-07500 | 280401-08100 |
| | Right Hand | 280402-07500 | 280402-08100 |
| 4267mm | Left Hand | 280401-07500 | 280401-09300 |
| | Right Hand | 280402-07500 | 280402-09300 |
| 4572mm | Left hand | 280401-07500 | 280401-10500 |
| | Right Hand | 280402-07500 | 280402-10500 |
| 4877mm | Left Hand | 280401-07500 | 280401-11700 |
| | Right Hand | 280402-07500 | 280402-11700 |
| 5182mm | Left Hand | 280401-07500 | 280401-12900 |
| | Right Hand | 280402-07500 | 280402-12900 |
| 5486mm | Left Hand | 280401-07500 | 280401-14100 |
| | Right Hand | 280402-07500 | 280402-14100 |
| 5791mm | Left Hand | 280401-08100 | 280401-14700 |
| | Right Hand | 280402-08100 | 280402-14700 |
| 6096mm | Left Hand | 280401-09300 | 280401-14700 |
| | Right Hand | 280402-09300 | 280402-14700 |
| 6401mm | Left Hand | 280401-10500 | 280401-14700 |
| | Right Hand | 280402-10500 | 280402-14700 |
| 6706mm | Left Hand | 280401-11700 | 280401-14700 |
| | Right Hand | 280402-11700 | 280402-14700 |
| 7010mm | Left Hand | 280401-12900 | 280401-14700 |
| | Right Hand | 280402-12900 | 280402-14700 |
| 7315mm | Left Hand | 280401-14100 | 280401-14700 |
| | Right Hand | 280402-14100 | 280402-14700 |

-05 38mm Aluminum Side



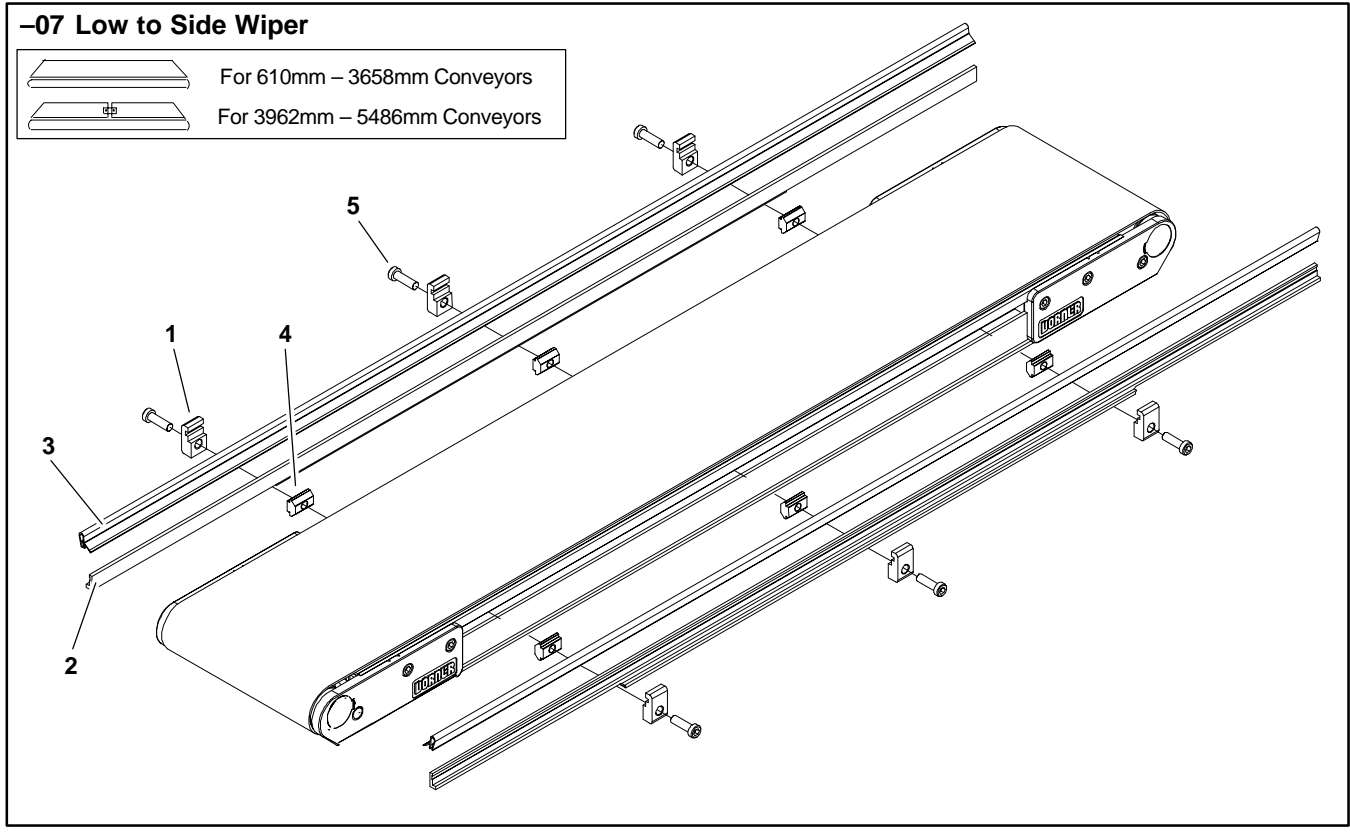
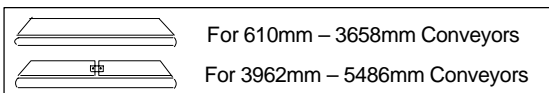
| Item | Part Number | Description |
|------|-----------------|-----------------------------|
| 1 | 200121 | Guide Retaining Clip |
| 2 | See Chart Below | 2200 Guide 13mm HS |
| 3 | 639971M | Single Drop-in Tee Bar |
| 4 | 920694M | Socket Head Screw M6 x 20mm |

| Item 2: 2200 Guide 13mm HS | | | |
|----------------------------|------------|--------------|-----------|
| Length | | End Guide | End Guide |
| 610mm | Left Hand | 280503-02400 | N/A |
| | Right Hand | 280503-02400 | N/A |
| 914mm | Left Hand | 280503-03600 | N/A |
| | Right Hand | 280503-03600 | N/A |
| 1219mm | Left Hand | 280503-04800 | N/A |
| | Right Hand | 280503-04800 | N/A |
| 1524mm | Left Hand | 280503-06000 | N/A |
| | Right Hand | 280503-06000 | N/A |
| 1829mm | Left Hand | 280503-07200 | N/A |
| | Right Hand | 280503-07200 | N/A |
| 2134mm | Left Hand | 280503-08400 | N/A |
| | Right Hand | 280503-08400 | N/A |
| 2438mm | Left Hand | 280503-09600 | N/A |
| | Right Hand | 280503-09600 | N/A |
| 2743mm | Left Hand | 280503-10800 | N/A |
| | Right Hand | 280503-10800 | N/A |
| 3048mm | Left Hand | 280503-12000 | N/A |
| | Right Hand | 280503-12000 | N/A |

| | | | |
|--------|------------|--------------|--------------|
| 3353mm | Left Hand | 280503-13200 | N/A |
| | Right Hand | 280503-13200 | N/A |
| 3658mm | Left Hand | 280503-14400 | N/A |
| | Right Hand | 280503-14400 | N/A |
| 3962mm | Left Hand | 280501-07500 | 280501-08100 |
| | Right Hand | 280502-07500 | 280502-08100 |
| 4267mm | Left Hand | 280501-07500 | 280501-09300 |
| | Right Hand | 280502-07500 | 280502-09300 |
| 4572mm | Left Hand | 280501-07500 | 280501-10500 |
| | Right Hand | 280502-07500 | 280502-10500 |
| 4877mm | Left Hand | 280501-07500 | 280501-11700 |
| | Right Hand | 280502-07500 | 280502-11700 |
| 5182mm | Left Hand | 280501-07500 | 280501-12900 |
| | Right Hand | 280502-07500 | 280502-12900 |
| 5486mm | Left Hand | 280501-07500 | 280501-14100 |
| | Right Hand | 280502-07500 | 280502-14100 |
| 5791mm | Left Hand | 280501-08100 | 280501-14700 |
| | Right Hand | 280502-08100 | 280502-14700 |
| 6096mm | Left Hand | 280501-09300 | 280501-14700 |
| | Right Hand | 280502-09300 | 280502-14700 |
| 6401mm | Left Hand | 280501-10500 | 280501-14700 |
| | Right Hand | 280502-10500 | 280502-14700 |
| 6706mm | Left Hand | 280501-11700 | 280501-14700 |
| | Right Hand | 280502-11700 | 280502-14700 |
| 7010mm | Left Hand | 280501-12900 | 280501-14700 |
| | Right Hand | 280502-12900 | 280502-14700 |
| 7315mm | Left Hand | 280501-14100 | 280501-14700 |
| | Right Hand | 280502-14100 | 280502-14700 |

Service Parts

-07 Low to Side Wiper

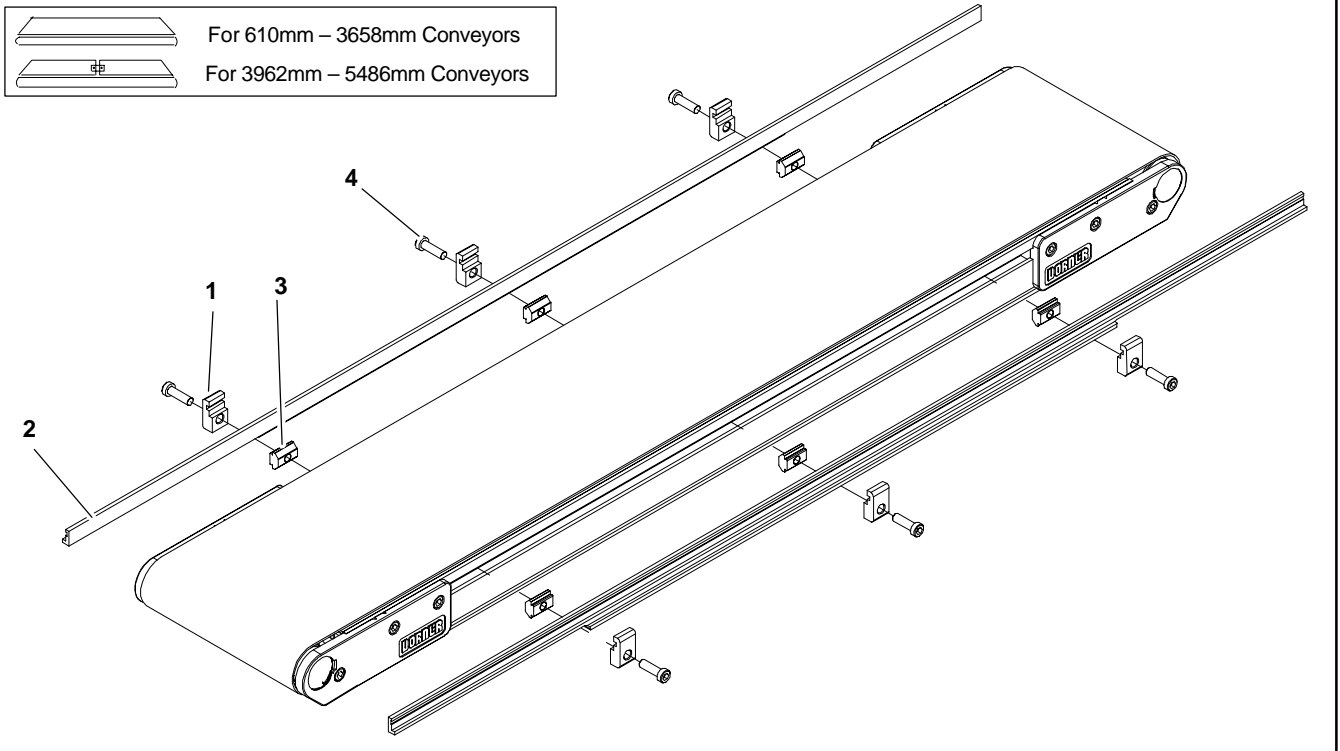
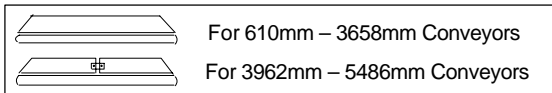


| Item | Part Number | Description |
|------|-----------------|--------------------------------|
| 1 | 200121 | Guide Retaining Clip |
| 2 | See Chart Below | 2200 Guide 13mm HS |
| 3 | 41-00-24 | Side Wiper Nylatron (per foot) |
| 4 | 639971M | Single Drop-in Tee Bar |
| 5 | 920694M | Socket Head Screw M6 x 20mm |

| Item 2: 2200 Guide 13mm HS | | | |
|----------------------------|------------|--------------|-----------|
| Length | | End Guide | End Guide |
| 610mm | Left Hand | 280903-02400 | N/A |
| | Right Hand | 280903-02400 | N/A |
| 914mm | Left Hand | 280903-03600 | N/A |
| | Right Hand | 280903-03600 | N/A |
| 1219mm | Left Hand | 280903-04800 | N/A |
| | Right Hand | 280903-04800 | N/A |
| 1524mm | Left Hand | 280903-06000 | N/A |
| | Right Hand | 280903-06000 | N/A |
| 1829mm | Left Hand | 280903-07200 | N/A |
| | Right Hand | 280903-07200 | N/A |
| 2134mm | Left Hand | 280903-08400 | N/A |
| | Right Hand | 280903-08400 | N/A |
| 2438mm | Left Hand | 280903-09600 | N/A |
| | Right Hand | 280903-09600 | N/A |
| 2743mm | Left Hand | 280903-10800 | N/A |
| | Right Hand | 280903-10800 | N/A |
| 3048mm | Left Hand | 280903-12000 | N/A |
| | Right Hand | 280903-12000 | N/A |

| | | | |
|--------|------------|--------------|--------------|
| 3353mm | Left Hand | 280903-13200 | N/A |
| | Right Hand | 280903-13200 | N/A |
| 3658mm | Left Hand | 280903-14400 | N/A |
| | Right Hand | 280903-14400 | N/A |
| 3962mm | Left Hand | 280901-07500 | 280901-08100 |
| | Right Hand | 280902-07500 | 280902-08100 |
| 4267mm | Left Hand | 280901-07500 | 280901-09300 |
| | Right Hand | 280902-07500 | 280902-09300 |
| 4572mm | Left hand | 280901-07500 | 280901-10500 |
| | Right Hand | 280902-07500 | 280902-10500 |
| 4877mm | Left Hand | 280901-07500 | 280901-11700 |
| | Right Hand | 280902-07500 | 280902-11700 |
| 5182mm | Left Hand | 280901-07500 | 280901-12900 |
| | Right Hand | 280902-07500 | 280902-12900 |
| 5486mm | Left Hand | 280901-07500 | 280901-14100 |
| | Right Hand | 280902-07500 | 280902-14100 |
| 5791mm | Left Hand | 280901-08100 | 280901-14700 |
| | Right Hand | 280902-08100 | 280902-14700 |
| 6096mm | Left Hand | 280901-09300 | 280901-14700 |
| | Right Hand | 280902-09300 | 280902-14700 |
| 6401mm | Left Hand | 280901-10500 | 280901-14700 |
| | Right Hand | 280902-10500 | 280902-14700 |
| 6706mm | Left Hand | 280901-11700 | 280901-14700 |
| | Right Hand | 280902-11700 | 280902-14700 |
| 7010mm | Left Hand | 280901-12900 | 280901-14700 |
| | Right Hand | 280902-12900 | 280902-14700 |
| 7315mm | Left Hand | 280901-14100 | 280901-14700 |
| | Right Hand | 280902-14100 | 280902-14700 |

-09 Low to High Side

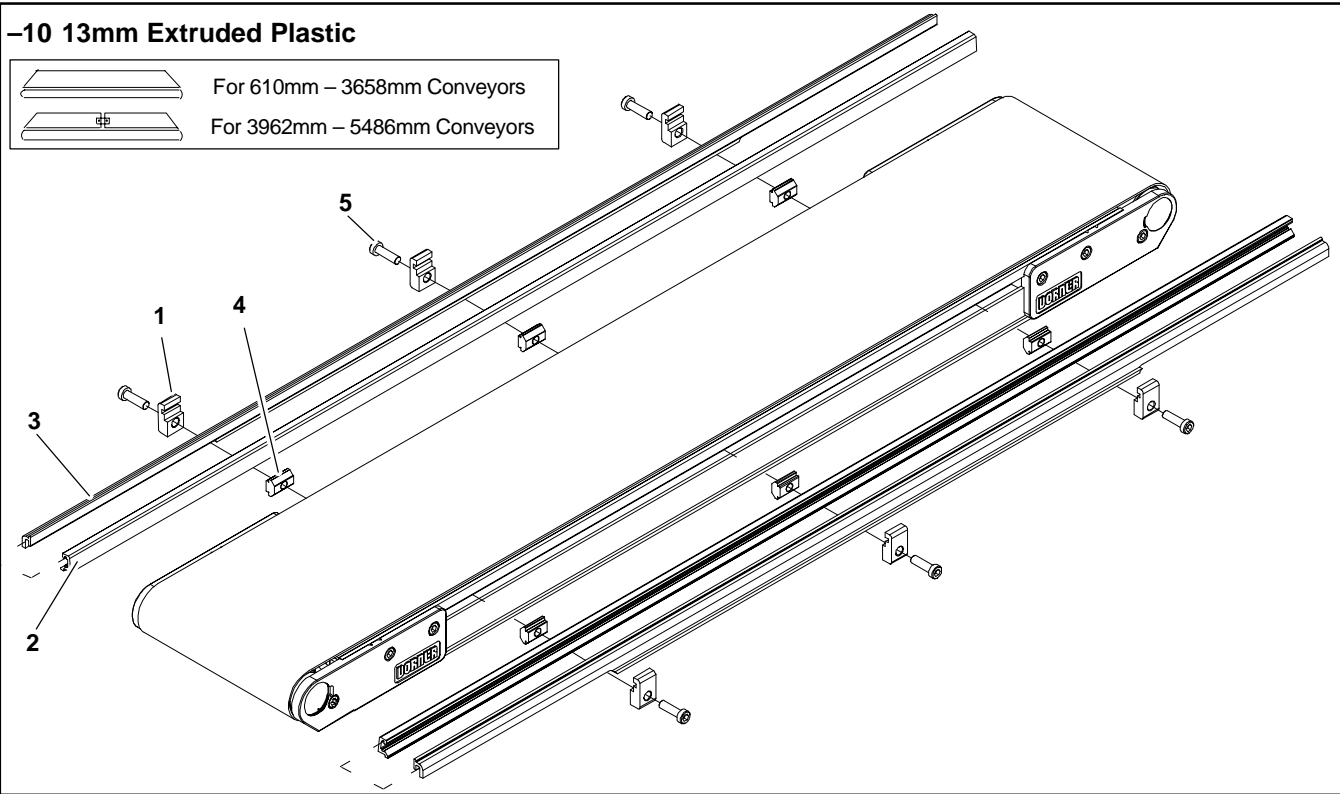


| Item | Part Number | Description |
|------|-----------------|-----------------------------|
| 1 | 200121 | Guide Retaining Clip |
| 2 | See Chart Below | 2200 Guide 13mm HS |
| 3 | 639971M | Single Drop-in Tee Bar |
| 4 | 920694M | Socket Head Screw M6 x 20mm |

| Item 2: 2200 Guide 13mm HS | | | |
|----------------------------|------------|--------------|-----------|
| Length | | End Guide | End Guide |
| 610mm | Left Hand | 280903-02400 | N/A |
| | Right Hand | 280903-02400 | N/A |
| 914mm | Left Hand | 280903-03600 | N/A |
| | Right Hand | 280903-03600 | N/A |
| 1219mm | Left Hand | 280903-04800 | N/A |
| | Right Hand | 280903-04800 | N/A |
| 1524mm | Left Hand | 280903-06000 | N/A |
| | Right Hand | 280903-06000 | N/A |
| 1829mm | Left Hand | 280903-07200 | N/A |
| | Right Hand | 280903-07200 | N/A |
| 2134mm | Left Hand | 280903-08400 | N/A |
| | Right Hand | 280903-08400 | N/A |
| 2438mm | Left Hand | 280903-09600 | N/A |
| | Right Hand | 280903-09600 | N/A |
| 2743mm | Left Hand | 280903-10800 | N/A |
| | Right Hand | 280903-10800 | N/A |
| 3048mm | Left Hand | 280903-12000 | N/A |
| | Right Hand | 280903-12000 | N/A |

| | | | |
|--------|------------|--------------|--------------|
| 3353mm | Left Hand | 280903-13200 | N/A |
| | Right Hand | 280903-13200 | N/A |
| 3658mm | Left Hand | 280903-14400 | N/A |
| | Right Hand | 280903-14400 | N/A |
| 3962mm | Left Hand | 280901-07500 | 280901-08100 |
| | Right Hand | 280902-07500 | 280902-08100 |
| 4267mm | Left Hand | 280901-07500 | 280901-09300 |
| | Right Hand | 280902-07500 | 280902-09300 |
| 4572mm | Left hand | 280901-07500 | 280901-10500 |
| | Right Hand | 280902-07500 | 280902-10500 |
| 4877mm | Left Hand | 280901-07500 | 280901-11700 |
| | Right Hand | 280902-07500 | 280902-11700 |
| 5182mm | Left Hand | 280901-07500 | 280901-12900 |
| | Right Hand | 280902-07500 | 280902-12900 |
| 5486mm | Left Hand | 280901-07500 | 280901-14100 |
| | Right Hand | 280902-07500 | 280902-14100 |
| 5791mm | Left Hand | 280901-08100 | 280901-14700 |
| | Right Hand | 280902-08100 | 280902-14700 |
| 6096mm | Left Hand | 280901-09300 | 280901-14700 |
| | Right Hand | 280902-09300 | 280902-14700 |
| 6401mm | Left Hand | 280901-10500 | 280901-14700 |
| | Right Hand | 280902-10500 | 280902-14700 |
| 6706mm | Left Hand | 280901-11700 | 280901-14700 |
| | Right Hand | 280902-11700 | 280902-14700 |
| 7010mm | Left Hand | 280901-12900 | 280901-14700 |
| | Right Hand | 280902-12900 | 280902-14700 |
| 7315mm | Left Hand | 280901-14100 | 280901-14700 |
| | Right Hand | 280902-14100 | 280902-14700 |

Service Parts

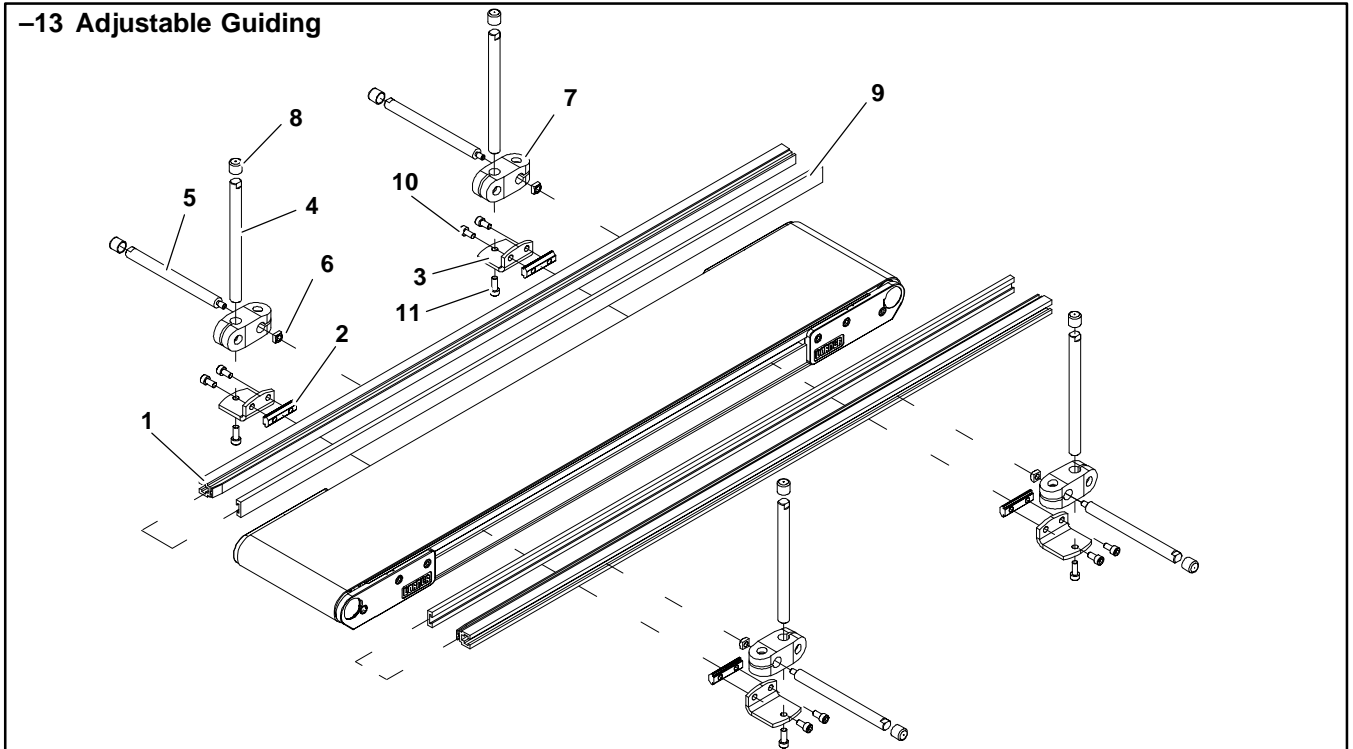


| Item | Part Number | Description |
|------|-----------------|-----------------------------|
| 1 | 200121 | Guide Retaining Clip |
| 2 | 200054P | Snap-On Guide (per foot) |
| 3 | See Chart Below | 2200 Guide |
| 4 | 639971M | Single Drop-in Tee Bar |
| 5 | 920694M | Socket Head Screw M6 x 20mm |

| Item 3: 2200 Guide | | | |
|--------------------|------------|--------------|-----------|
| Length | | End Guide | End Guide |
| 610mm | Left Hand | 281003-02400 | N/A |
| | Right Hand | 281003-02400 | N/A |
| 914mm | Left Hand | 281003-03600 | N/A |
| | Right Hand | 281003-03600 | N/A |
| 1219mm | Left Hand | 281003-04800 | N/A |
| | Right Hand | 281003-04800 | N/A |
| 1524mm | Left Hand | 281003-06000 | N/A |
| | Right Hand | 281003-06000 | N/A |
| 1829mm | Left Hand | 281003-07200 | N/A |
| | Right Hand | 281003-07200 | N/A |
| 2134mm | Left Hand | 281003-08400 | N/A |
| | Right Hand | 281003-08400 | N/A |
| 2438mm | Left Hand | 281003-09600 | N/A |
| | Right Hand | 281003-09600 | N/A |
| 2743mm | Left Hand | 281003-10800 | N/A |
| | Right Hand | 281003-10800 | N/A |
| 3048mm | Left Hand | 281003-12000 | N/A |
| | Right Hand | 281003-12000 | N/A |

| | | | |
|--------|------------|--------------|--------------|
| 3353mm | Left Hand | 281003-13200 | N/A |
| | Right Hand | 281003-13200 | N/A |
| 3658mm | Left Hand | 281003-14400 | N/A |
| | Right Hand | 281003-14400 | N/A |
| 3962mm | Left Hand | 281001-07500 | 281001-08100 |
| | Right Hand | 281002-07500 | 281002-08100 |
| 4267mm | Left Hand | 281001-07500 | 281001-09300 |
| | Right Hand | 281002-07500 | 281002-09300 |
| 4572mm | Left hand | 281001-07500 | 281001-10500 |
| | Right Hand | 281002-07500 | 281002-10500 |
| 4877mm | Left Hand | 281001-07500 | 281001-11700 |
| | Right Hand | 281002-07500 | 281002-11700 |
| 5182mm | Left Hand | 281001-07500 | 281001-12900 |
| | Right Hand | 281002-07500 | 281002-12900 |
| 5486mm | Left Hand | 281001-07500 | 281001-14100 |
| | Right Hand | 281002-07500 | 281002-14100 |
| 5791mm | Left Hand | 281001-08100 | 281001-14700 |
| | Right Hand | 281002-08100 | 281002-14700 |
| 6096mm | Left Hand | 281001-09300 | 281001-14700 |
| | Right Hand | 281002-09300 | 281002-14700 |
| 6401mm | Left Hand | 281001-10500 | 281001-14700 |
| | Right Hand | 281002-10500 | 281002-14700 |
| 6706mm | Left Hand | 281001-11700 | 281001-14700 |
| | Right Hand | 281002-11700 | 281002-14700 |
| 7010mm | Left Hand | 281001-12900 | 281001-14700 |
| | Right Hand | 281002-12900 | 281002-14700 |
| 7315mm | Left Hand | 281001-14100 | 281001-14700 |
| | Right Hand | 281002-14100 | 281002-14700 |

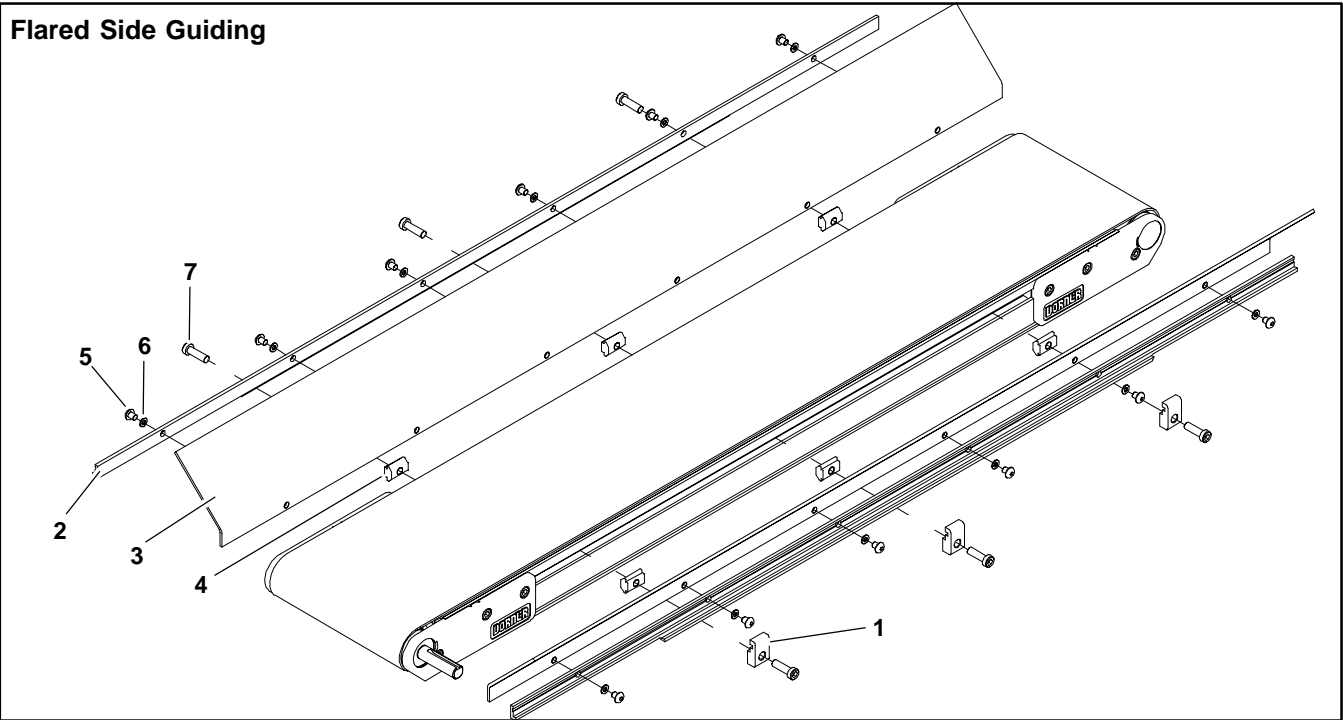
-13 Adjustable Guiding



| Item | Part Number | Description |
|------|-------------|-------------------------------|
| 1 | 202983 | Aluminum Profile Guide 610mm |
| | 202984 | Aluminum Profile Guide 914mm |
| | 202985 | Aluminum Profile Guide 1219mm |
| | 202986 | Aluminum Profile Guide 1524mm |
| | 202987 | Aluminum Profile Guide 1829mm |
| | 202988 | Aluminum Profile Guide 2134mm |
| | 202989 | Aluminum Profile Guide 2438mm |
| | 202990 | Aluminum Profile Guide 2743mm |
| | 202991 | Aluminum Profile Guide 3048mm |
| | 202992 | Aluminum Profile Guide 3353mm |
| | 202993 | Aluminum Profile Guide 3658mm |
| | 202994 | Aluminum Profile Guide 3962mm |

| | | |
|----|----------|--------------------------------|
| 2 | 200830M | Drop-In Tee Bar |
| 3 | 202004 | Mounting Bracket |
| 4 | 202027M | Guide Mounting Shaft Vertical |
| 5 | 202028M | Guide Mouting Shaft Horizontal |
| 6 | 674175MP | Square Nut |
| 7 | 807-652 | Cross Block |
| 8 | 807-948 | Vinyl Shaft Cap |
| 9 | 614068P | Flat Extruded Guide (per foot) |
| 10 | 920612M | Socket Head Screw M6 x 12mm |
| 11 | 920616M | Socket Head Screw M6 x 16mm |

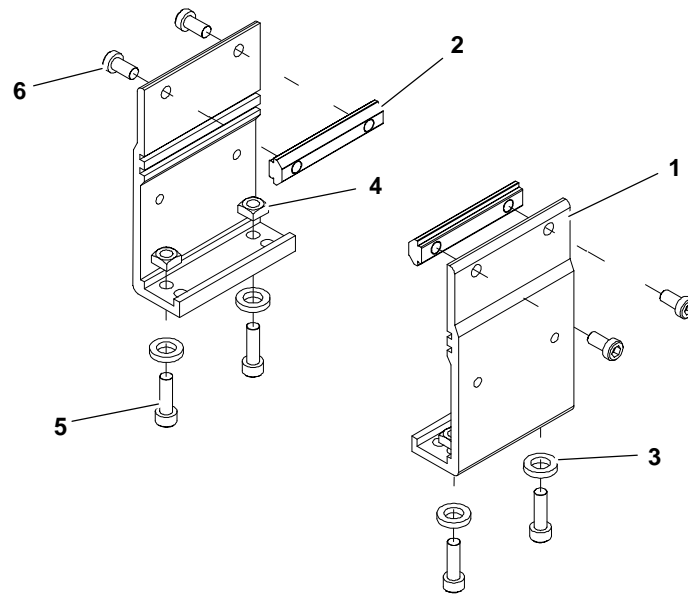
Service Parts



| Item | Part Number | Description |
|------|-------------|----------------------------------|
| 1 | 200121 | Guide Retaining Clip |
| 2 | 202212 | Side-Flare Mounting Guide 610mm |
| | 202213 | Side-Flare Mounting Guide 914mm |
| | 202214 | Side-Flare Mounting Guide 1219mm |
| | 202215 | Side-Flare Mounting Guide 1524mm |
| | 202216 | Side-Flare Mounting Guide 1829mm |
| 3 | 202522M | Flared Guide 45° 610mm |
| | 202523M | Flared Guide 45° 914mm |
| | 202523M | Flared Guide 45° 219mm |
| | 202523M | Flared Guide 45° 1524mm |
| | 202523M | Flared Guide 45° 1829mm |

| | | |
|---|---------|------------------------------|
| 4 | 639971 | Drop-In Tee Bar |
| 5 | 910506M | Button Head Screw M5 x 6mm |
| 6 | 911-512 | Washer |
| 7 | 920694M | Cap Low-Head Screw M6 x 20mm |

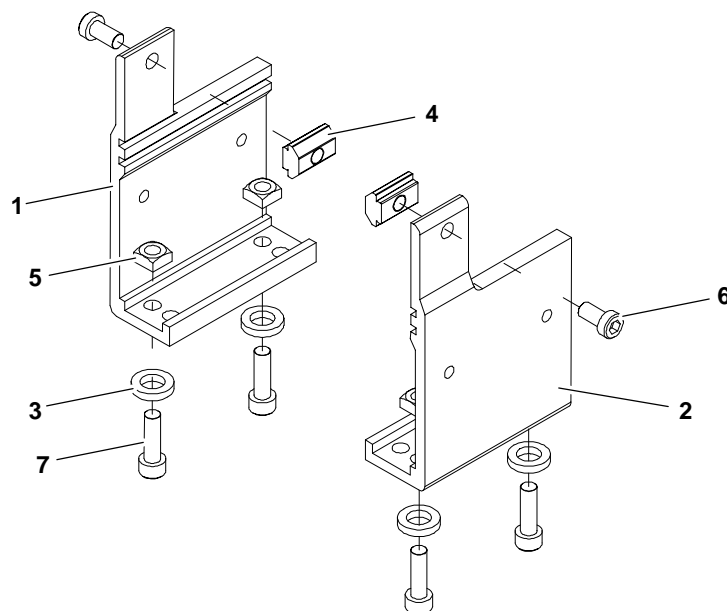
Flat Belt Mounting Brackets



| Item | Part Number | Description |
|------|-------------|-----------------|
| 1 | 240831 | Stand Mount |
| 2 | 300150M | Drop-In Tee Bar |
| 3 | 605279P | Washer |

| | | |
|---|---------|-----------------------------|
| 4 | 807-920 | Square Nut M6 5mm x 10mm |
| 5 | 920620M | Socket Head Screw M6 x 20mm |
| 6 | 920692M | Socket Head Screw M6 x 12mm |

Flat Belt Mounting Brackets for 610mm Conveyors

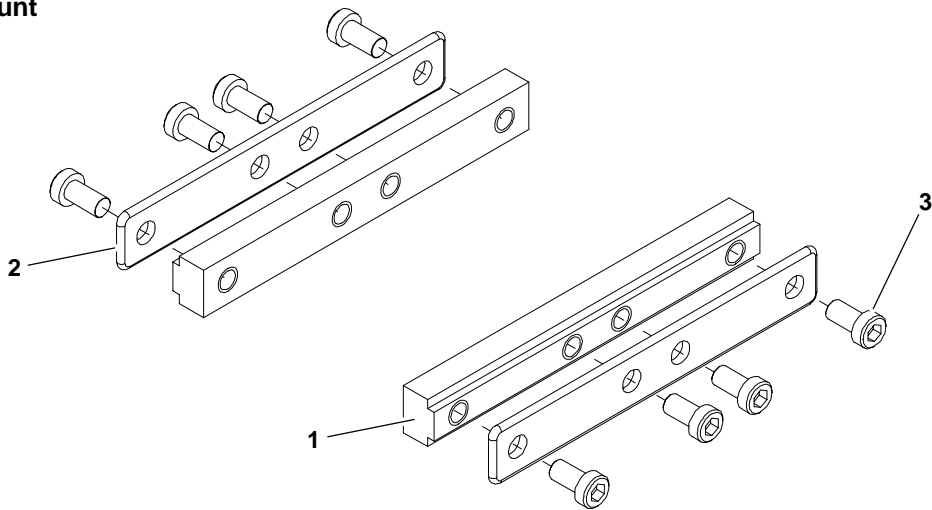


| Item | Part Number | Description |
|------|-------------|-----------------------|
| 1 | 240833 | Stand Mount, LH 610mm |
| 2 | 240834 | Stand Mount, RH 610mm |
| 3 | 605279P | Washer |

| | | |
|---|---------|-----------------------------|
| 4 | 639971M | Drop-In Tee Bar |
| 5 | 807-920 | Square Nut M6 5mm x 10mm |
| 6 | 920620M | Socket Head Screw M6 x 20mm |
| 7 | 920692M | Socket Head Screw M6 x 12mm |

Service Parts

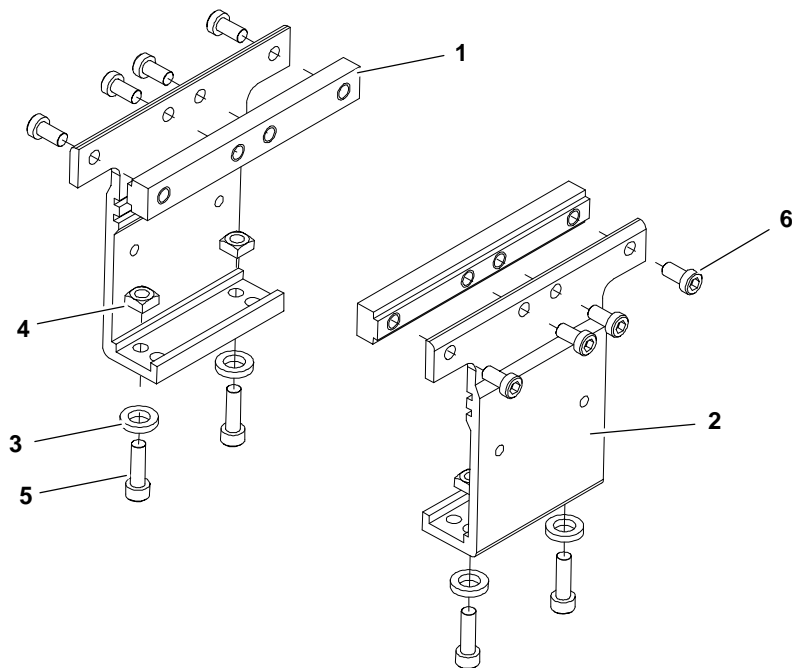
Connecting Assembly without Stand Mount



| Item | Part Number | Description |
|------|-------------|---------------------|
| 1 | 240331 | Frame Bar Connector |

| | | |
|---|---------|-----------------------------|
| 2 | 300153M | Intermediate Clamp Plate |
| 3 | 920692M | Socket Head Screw M6 x 12mm |

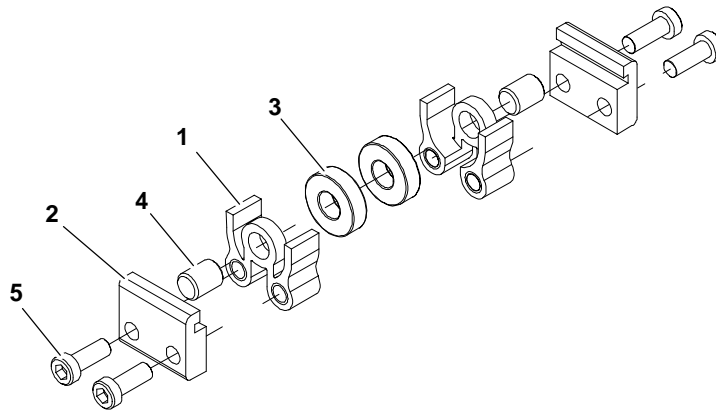
Flat Belt Connecting Assembly with Stand Mount



| Item | Part Number | Description |
|------|-------------|---------------------|
| 1 | 240331 | Frame Connector Bar |
| 2 | 240837 | Stand Mount Joint |
| 3 | 605279P | Washer |

| | | |
|---|---------|-----------------------------|
| 4 | 807-920 | Square Nut M6 5mm x 10mm |
| 5 | 920620M | Socket Head Screw M6 x 20mm |
| 6 | 920692M | Socket Head Screw M6 x 12mm |

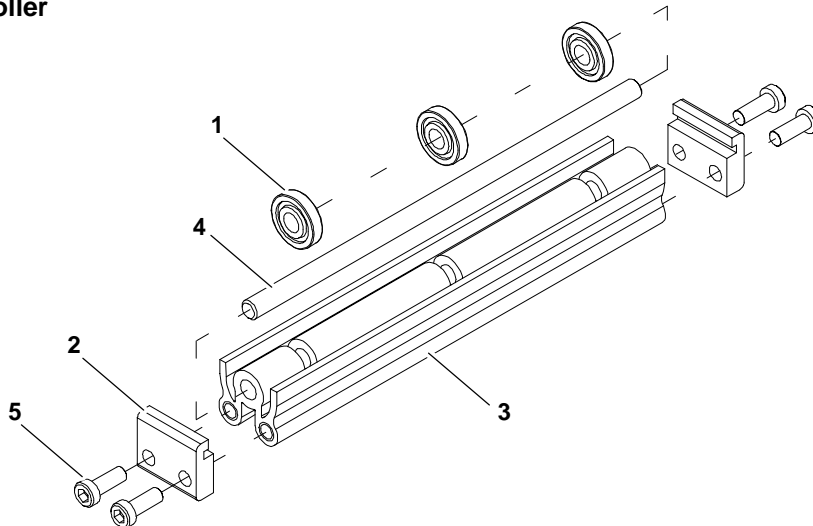
51mm to 152mm Flat Belt Return Roller



| Item | Part Number | Description |
|------|-------------|---------------------------|
| 1 | 240825 | Short Return Roller Guard |
| 2 | 240827 | Return Roller Clip |

| | | |
|---|---------|-----------------------------|
| 3 | 802-123 | Bearing |
| 4 | 913-100 | Dowel Pin |
| 5 | 920693M | Socket Head Screw M6 x 16mm |

203mm to 610mm Flat Belt Return Roller



| Item | Part Number | Description |
|------|-------------|---------------------------|
| 1 | 240826 | Return Roller |
| 2 | 240827 | Return Roller Clip |
| 3 | 240908 | Return Roller Guard 203mm |
| | 240910 | Return Roller Guard 254mm |
| | 240912 | Return Roller Guard 305mm |
| | 240918 | Return Roller Guard 457mm |
| | 240921 | Return Roller Guard 533mm |
| | 240924 | Return Roller Guard 610mm |

| | | |
|---|---------|-----------------------------|
| 4 | 241008 | Return Roller Rod 203mm |
| | 241010 | Return Roller Rod 254mm |
| | 241012 | Return Roller Rod 305mm |
| | 241018 | Return Roller Rod 457mm |
| | 241021 | Return Roller Rod 533mm |
| | 241024 | Return Roller Rod 610mm |
| 5 | 920693M | Socket Head Screw M6 x 16mm |

Service Parts

Conveyor Belt Part Number Configuration

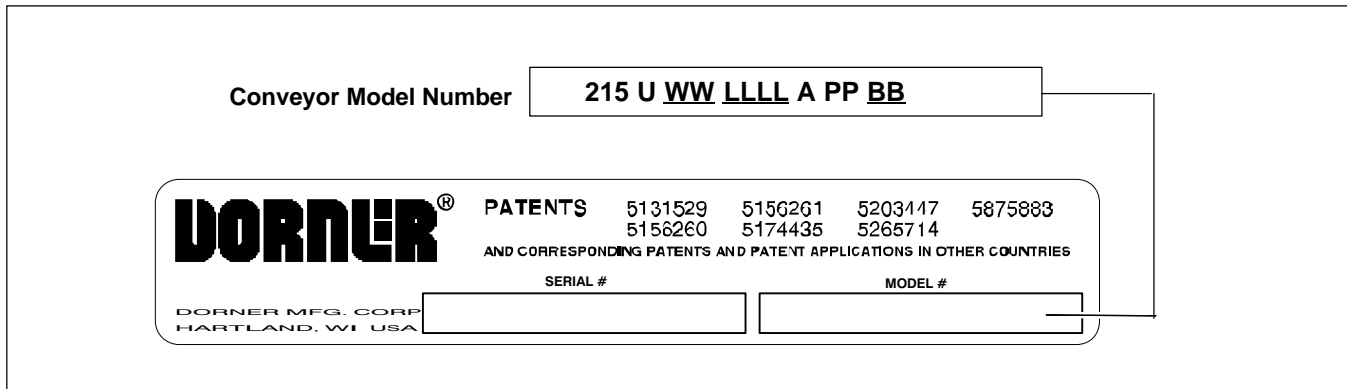


Figure 59

Refer to Dornier patent plate (Figure 59). From the model number, determine conveyor width (“WW”), length (“LLLL”) and belt type (“BB”). Use data to configure belt part number as indicated below. *Add “V” for V-guided belts.

25 - WW LLLL / BB V *

22- ____ (Fill In) / ____ V *

Return Policy

No returns will be accepted without prior written factory authorization. When calling for authorization, please have the following information ready for the Dorner Factory representative or your local distributor:

1. Name and address of customer.
2. Item(s) being returned.
3. Reason for return.
4. Customer's original order number used when ordering the item(s).
5. Dorner or distributor invoice number.

A representative will discuss action to be taken on the Returned items and provide a Returned Goods Authorization Number to reference.

There will be a 15% restocking charge on all new items returned for credit where Dorner was not at fault. These will not be accepted after 60 days from original invoice date. The restocking charge covers inspection, cleaning, disassembly, and reissuing to inventory.

If a replacement is needed prior to evaluation of returned item, a purchase order must be issued. Credit (if any) is issued only after return and evaluation is complete.

Dorner has representatives throughout the world. Feel free to contact Dorner for the name of your local representative. Our technical sales and service staff will gladly help with your questions on Dorner products.

For a copy of Dorner's Limited Warranty, contact factory, distributor, service center or visit our website at www.dorner.com.

**For replacement parts, contact an authorized
Dorner Service Center or the factory.**

DORNER®

Dorner Mfg. Corp. reserves the right to change or discontinue products without notice. All products and services are covered in accordance with our standard warranty. All rights reserved. ©Dorner Mfg. Corp. 2000

DORNER MFG. CORP.

975 Cottonwood Ave. PO Box 20
Hartland, WI 53029-0020 USA

USA

TEL 1-800-397-8664 (USA)

FAX 1-800-369-2440 (USA)

Outside the USA:

TEL 1-262-367-7600, FAX 1-262-367-5827

DORNER

Arnold-Sommerfeld-Ring 2
D-52499 Baesweiler

Germany

TEL (02401) 80 52 90

FAX (02401) 80 52 93

Internet: www.dorner.com