

2200 Retro Fit Tails for 2100 Conveyors



Table of Contents

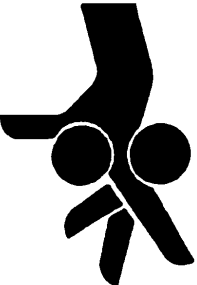

Warnings – General Safety	2	Preventative Maintenance & Adjustments	6
Introduction	2	Service Parts	6
Product Description	3		
Installation			
Drive End Retro Fit	4		
Idler End Retro Fit	5		

Warnings – General Safety



	WARNING	
<p>The safety alert symbol, black triangle with white exclamation, is used to alert you to potential personal injury hazards.</p>		



		WARNING
<p>Gearmotors may be HOT. DO NOT TOUCH Gearmotors.</p>		

		DANGER
<p>Climbing, sitting, walking or riding on conveyor will cause severe injury. KEEP OFF CONVEYORS.</p>		

		WARNING
<p>Dorner cannot control the physical installation and application of conveyors. Taking protective measures is the responsibility of the user. When conveyors are used in conjunction with other equipment or as part of a multiple conveyor system, CHECK FOR POTENTIAL PINCH POINTS and other mechanical hazards before system start-up.</p>		

		DANGER
<p>DO NOT OPERATE CONVEYORS IN AN EXPLOSIVE ENVIRONMENT.</p>		

		WARNING
<p>Exposed moving parts can cause severe injury. LOCK OUT POWER before removing guards or performing maintenance.</p>		

		WARNING
<p>Loosening stand height or angle adjustment screws may cause conveyor sections to drop down, causing severe injury. SUPPORT CONVEYOR SECTIONS PRIOR TO LOOSENING STAND HEIGHT OR ANGLE ADJUSTMENT SCREWS.</p>		

Introduction

IMPORTANT: Some illustrations may show guards removed. Do NOT operate equipment without guards.

Upon receipt of shipment:

- Compare shipment with packing slip. Contact factory regarding discrepancies.
- Inspect packages for shipping damage. Contact carrier regarding damage.
- Accessories may be shipped loose. See accessory instructions for installation.

Dorner's Limited Warranty applies.

Dorner 2100 Series conveyors are covered by Patent No. 5,174,435, 5,131,529 and corresponding patents and patent applications in other countries.

Dorner reserves the right to make changes at any time without notice or obligation.

Refer to Figure 1 for typical drive end retro fit components.

Typical Components			
A	Slide bars	D	Output shaft
B	Head plate screw	E	Head plates
C	Drive Pulley	F	Pulley bearings

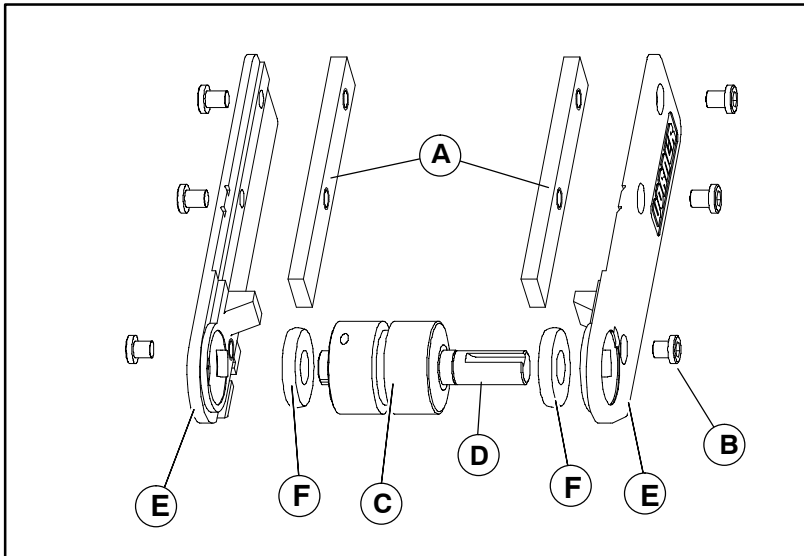


Figure 1

Refer to Figure 2 for typical idler end retro fit components.

Typical Components			
G	Slide bars	J	Head plates
H	Head plate screw	K	Pulley bearings
I	Idler Pulley		

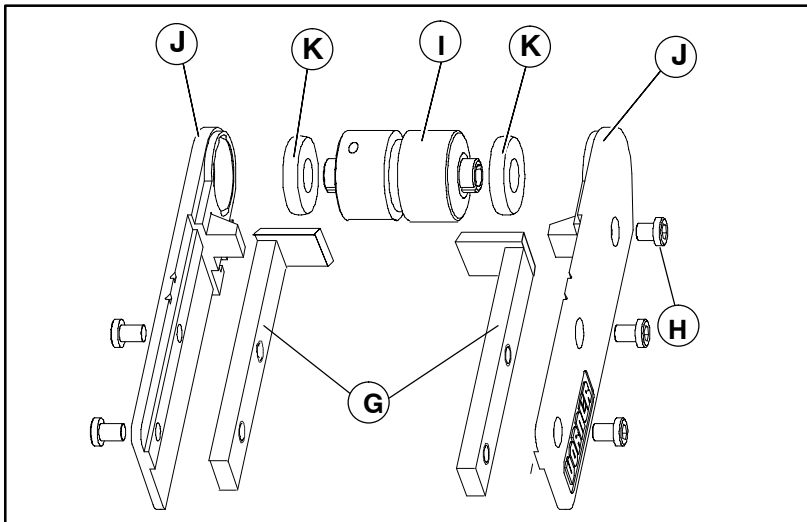
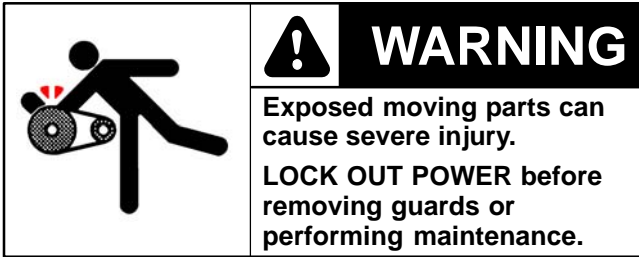


Figure 2

Installation

Drive End Retro Fit



Installation Component List

A	Slide Bars (2x)
B	Head plate screw (2x)
C	Drive pulley (1x)
D	Output shaft
E	Head plates (2x)
F	Pulley Bearings (2x)

1. Typical components (Figure 3)

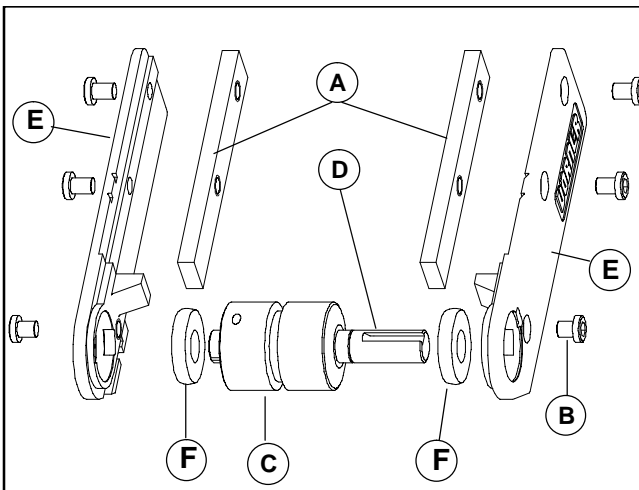


Figure 3

2. Remove conveyor belt and 2100 drive end tail assembly. Refer to manual 851-061, "2100 Series End Drive Conveyors," section "Conveyor Belt Replacement Procedure," for details.
3. Determine required orientation for output shaft (D of Figure 3).
4. Insert slide bars (A of Figure 3) into 2100 frame.

5. Install the new head plate (E of Figure 4) on the non-drive shaft side of the conveyor.

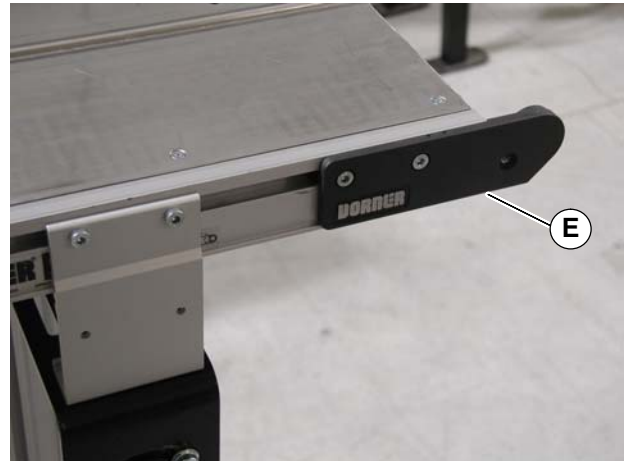


Figure 4

6. Insert the new drive pulley (C of Figure 5) into the head plate on the opposite side.

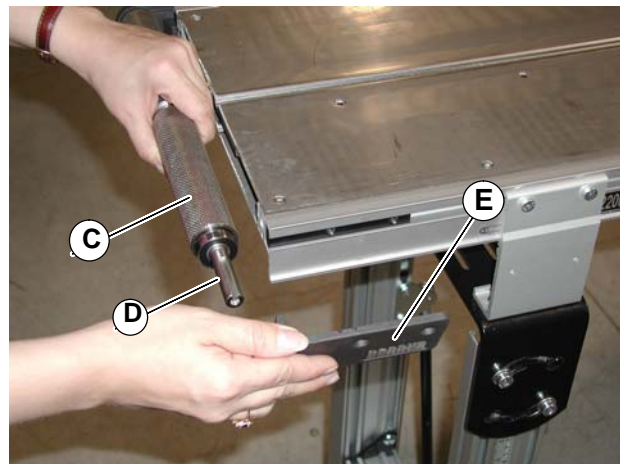


Figure 5

7. Install the second head plate (E of Figure 5) on the drive shaft corner.

Idler End Retro Fit

		<h3>WARNING</h3>
	<p>Exposed moving parts can cause severe injury. LOCK OUT POWER before removing guards or performing maintenance.</p>	

Installation Component List	
G	Slide bars (2x)
H	Head plate screw (2x)
I	Idler pulley (1x)
J	Head plates (2x)
K	Pulley bearings (2x)

1. Typical components (Figure 6)

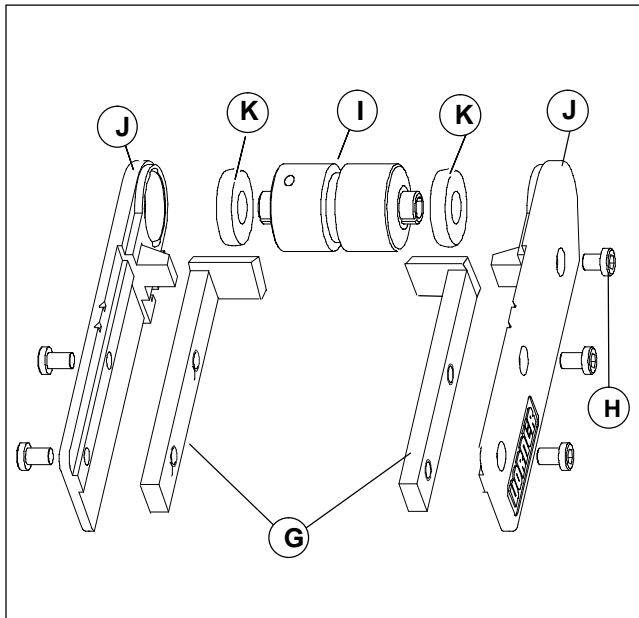


Figure 6

2. Remove conveyor belt and 2100 idler end tail assembly. Refer to manual 851-061, “2100 Series End Drive Conveyors”, section “Conveyor Belt Replacement Procedure.” for details.

3. Insert slide bars (G of Figure 6) into 2100 frame.
4. Install a new head plate (J of Figure 7) on one side of the conveyor.

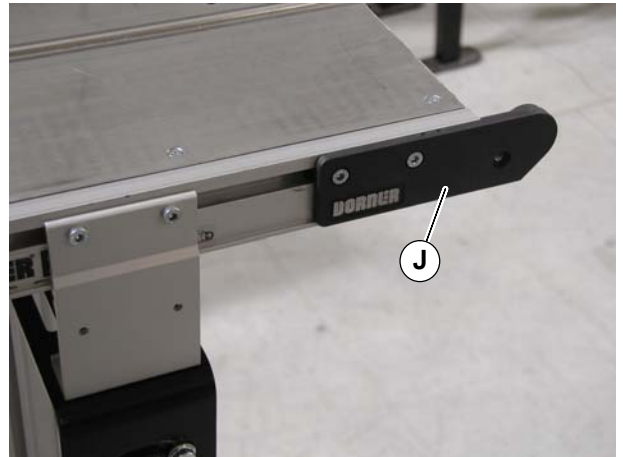


Figure 7

5. Insert the new idler pulley (I of Figure 8) into the head plate on the opposite side.

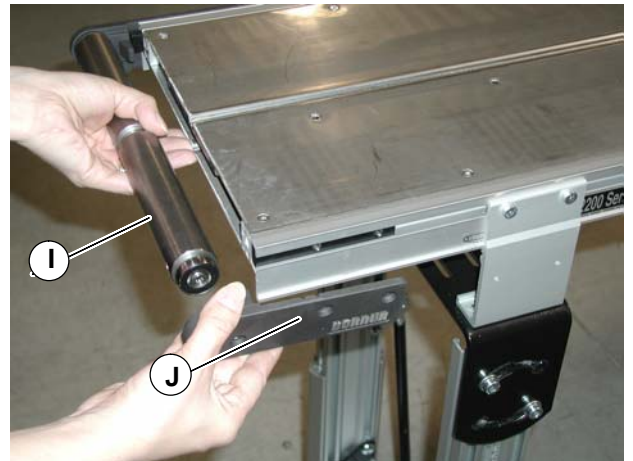


Figure 8

6. Install the second head plate (J of Figure 8). Leave the (4) head plate mounting screws finger tight.
7. Install, tension and track conveyor belt, refer to manual 851-452, “2200 Series End Drive Conveyors.”

Preventive Maintenance and Adjustment

Refer to “2200 Series End Drive Conveyor” Installation, Maintenance and Parts manual, part number 851-452.

Service Parts

Refer to “2200 Series End Drive Conveyor” Installation, Maintenance and Parts manual, part number 851-452.

Return Policy

No returns will be accepted without prior written factory authorization. When calling for authorization, please have the following information ready for the Dorner Factory representative or your local distributor:

1. Name and address of customer.
2. Item(s) being returned.
3. Reason for return.
4. Customer's original order number used when ordering the item(s).
5. Dorner or distributor invoice number.

A representative will discuss action to be taken on the Returned items and provide a Returned Goods Authorization Number to reference.

There will be a 15% restocking charge on all new items returned for credit where Dorner was not at fault. These will not be accepted after 60 days from original invoice date. The restocking charge covers inspection, cleaning, disassembly, and reissuing to inventory.

If a replacement is needed prior to evaluation of returned item, a purchase order must be issued. Credit (if any) is issued only after return and evaluation is complete.

Dorner has representatives throughout the world. Feel free to contact Dorner for the name of your local representative. Our technical sales and service staff will gladly help with your questions on Dorner products.

For a copy of Dorner's Limited Warranty, contact factory, distributor, service center or visit our website at www.dorner.com.

**For replacement parts, contact an authorized
Dorner Service Center or the factory.**

DORNER[®]

Dorner Mfg. Corp. reserves the right to change or discontinue products without notice. All products and services are covered in accordance with our standard warranty. All rights reserved. ©Dorner Mfg. Corp. 2000

DORNER MFG. CORP.

975 Cottonwood Ave., PO Box 20
Hartland, WI 53029-0020 USA

USA

TEL 1-800-397-8664 (USA)

FAX 1-800-369-2440 (USA)

Outside the USA:

TEL 1-262-367-7600, FAX 1-262-367-5827

DORNER

Arnold-Sommerfeld-Ring 2
D-52499 Baesweiler

Germany

TEL (02401) 80 52 90

FAX (02401) 80 52 93

Internet: www.dorner.com