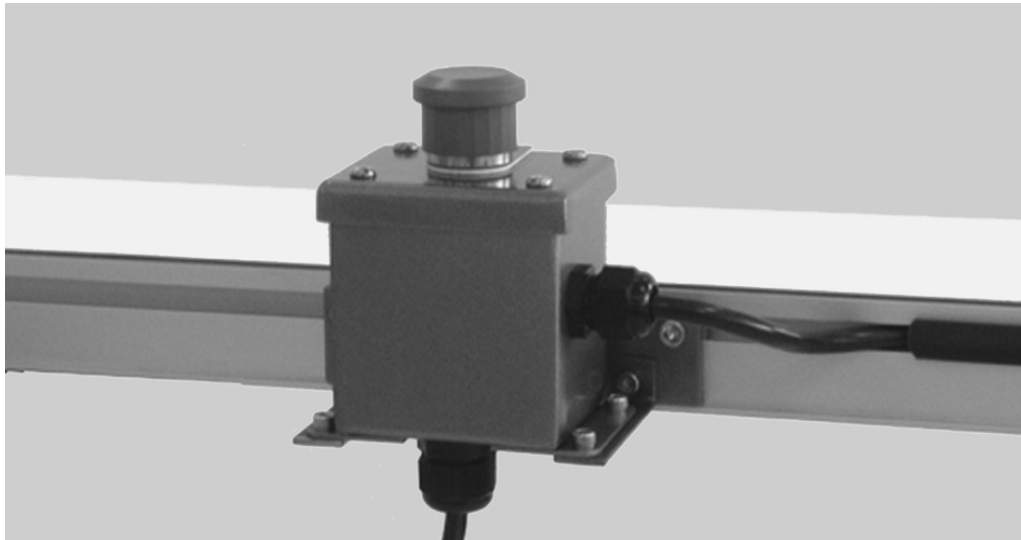


## 70-40 and 70-41 Emergency Stop Kit



## Table of Contents

Warnings – General Safety .....	2	Horizontal Mounting to 6100 Conveyor .....	4
Introduction .....	2	Vertical Mounting to Aluminum Stand Leg .....	4
Specifications .....	3	Horizontal Mounting to Aluminum Stand Leg .....	5
Installation .....	3	Vertical Mounting to Steel Stand Leg .....	5
Vertical Mounting to 2100, 2200 & 3100 Conveyor .....	3	Horizontal Mounting to Steel Stand Leg .....	5
Vertical Mounting to 6100 Conveyor .....	3	Cable Routing .....	6
Horizontal Mounting to 2100, 2200 & 3100 Conveyor .....	4	Service Parts .....	7
		Return Policy .....	8

# Warnings – General Safety

	<b>WARNING</b>	
<p>The safety alert symbol, black triangle with white exclamation, is used to alert you to potential personal injury hazards.</p>		

		<b>DANGER</b>
	<p>Hazardous voltage will cause severe injury or death. <b>LOCKOUT POWER BEFORE</b> before wiring.</p>	

		<b>DANGER</b>
	<p>Climbing, sitting, walking or riding on conveyor will cause severe injury. <b>KEEP OFF CONVEYORS.</b></p>	

		<b>WARNING</b>
	<p>Exposed moving parts can cause severe injury. <b>DO NOT ATTEMPT</b> <b>ADJUSTMENTS WITH</b> <b>CONVEYOR RUNNING.</b></p>	

		<b>DANGER</b>
	<p><b>DO NOT OPERATE</b> <b>CONVEYORS IN AN</b> <b>EXPLOSIVE ENVIRONMENT.</b></p>	

		<b>WARNING</b>
	<p>Dorner cannot control the physical installation and application of conveyors. Taking protective measures is the responsibility of the user.</p>	
	<p>When conveyors are used in conjunction with other equipment or as part of a multiple conveyor system, <b>CHECK FOR POTENTIAL PINCH POINTS</b> and other mechanical hazards before system start-up.</p>	

	<b>WARNING</b>	
<p>Controller must be properly grounded. Failure to properly ground controller may cause injury to personnel.</p>		

## Introduction

**IMPORTANT:** Some illustrations may show guards removed. Do NOT operate equipment without guards.

Upon receipt of shipment:

- Compare shipment with packing slip. Contact factory regarding discrepancies.
- Inspect packages for shipping damage. Contact carrier regarding damage.

- Accessories may be shipped loose. See accessory instructions for installation.

Dorner conveyors are covered by the following patent numbers: 5131529, 5156260, 5156261, 5174435, 5203447, 5265714, 5875883, and corresponding patents and patent applications in other countries.

Dorner's Limited Warranty applies.

Dorner reserves the right to make changes at any time without notice or obligation.

## E-Stop Specifications

**Supply Voltage:** 115 VAC

**Output Configuration:** 1 Normally Closed Contact

**Contact Type:** Maintained

**Contact Rating:** 1 HP, 13 Amperes Max.

**Housing:** NEMA 12/IP55

## Installation

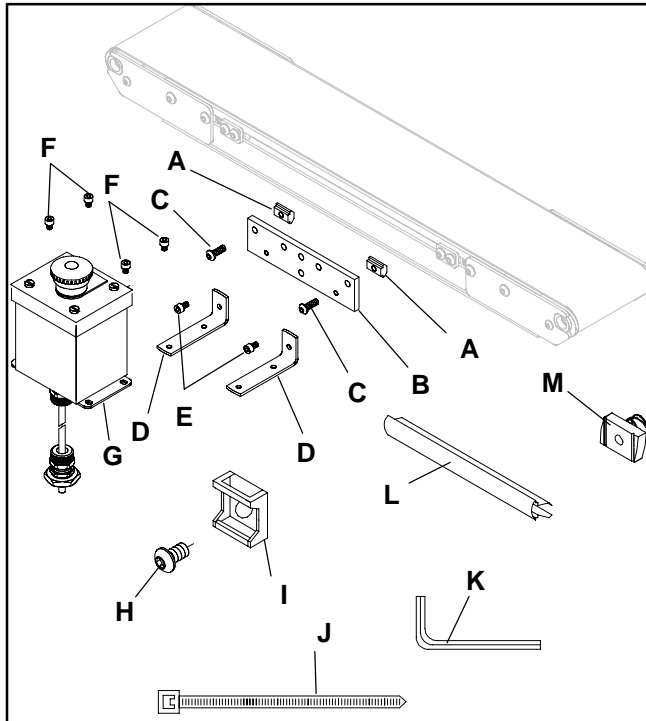


Figure 1

### Vertical Mounting to 2100, 2200 & 3100 Conveyor

**NOTE:** For shipping, T-bars (A), Mounting Plate (B), Mounting Brackets (D) and Pushbutton Box (G) are pre-assembled. Detach T-bars before proceeding.

1. Insert two Single Drop-in T-bars (A of Figure 2) into conveyor T-slot.

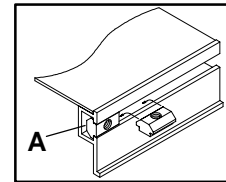


Figure 2

2. Attach the Pushbutton Box assembly (G of Figure 3) to two T-bars (A) with screws (C).

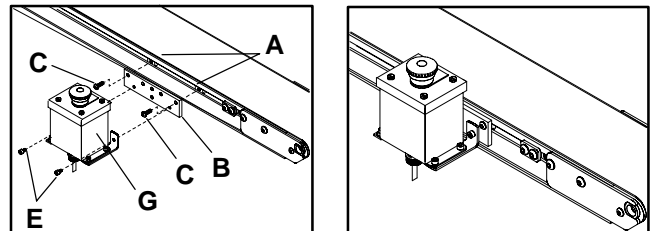


Figure 3

### Vertical Mounting to 6100 Conveyor

**NOTE:** For shipping, T-bars (A), Mounting Plate (B), Mounting Brackets (D) and Pushbutton Box (G) are pre-assembled. Detach T-bars before proceeding.

1. Install mounting clips (N of Figure 4) on conveyor.

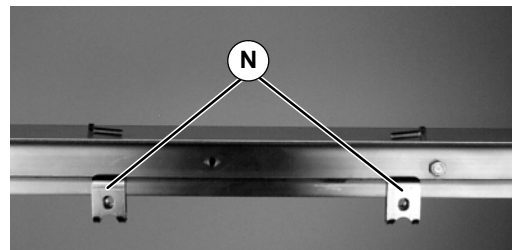


Figure 4

#### Installation Component List

A	Single Drop-In T-bar (4x)
B	Stop Mounting Plate (1x)
C	M6 x 16 mm Button Head Screw (2x)
D	Stop Mounting Bracket (2x)
E	M5 x 8 mm Socket Head Cap Screw (2x)
F	M5 x 6 mm Socket Head Cap Screw (4x)
G	Pushbutton Box (1x)
H	M6 x 10 mm Button Head Screw (2x)
I	Zip Tie Mount (2x)
J	Zip Tie (2x)
K	4 mm Hex Key Wrench (1x)
L	T-slot Cover Strip (5x)
M	M6 Spring Nut (2x)
N	6100 Mounting Clip (2x)

# Installation

2. Attach Pushbutton Box assembly (G of Figure 5) with screws (C).

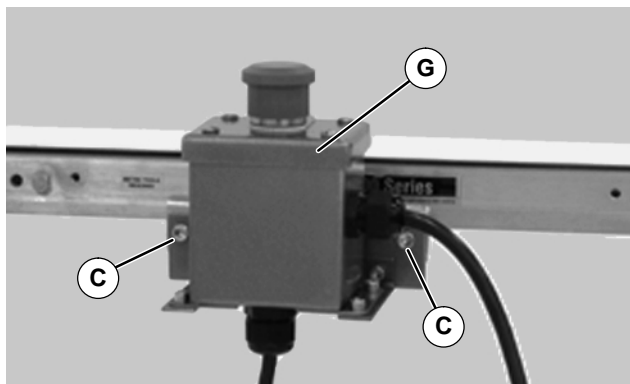


Figure 5

## Horizontal Mounting to 2100, 2200 & 3100 Conveyor

**NOTE:** For shipping, T-bars (A), Mounting Plate (B), Mounting Brackets (D) and Pushbutton Box (G) are pre-assembled. Detach all before proceeding.

1. Attach Pushbutton Box (G of Figure 6) to mounting plate (B) with screws (E).

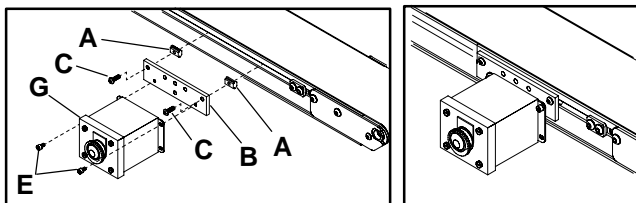


Figure 6

2. Insert two Single Drop-in T-bars (A of Figure 6) into conveyor T-slot.
3. Attach Pushbutton Box assembly to T-bars (A) with screws (C).

## Horizontal Mounting to 6100 Conveyor

**NOTE:** For shipping, T-bars (A), Mounting Plate (B), Mounting Brackets (D) and Pushbutton Box (G) are pre-assembled. Detach all before proceeding.

1. Install mounting clips (N of Figure 7) on conveyor.

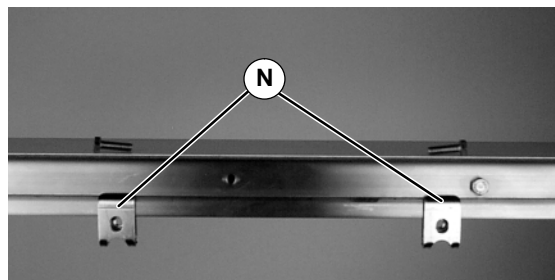


Figure 7

2. Attach Pushbutton Box (G of Figure 8) to mounting plate (B) with screws (E).
3. Attach Pushbutton Box assembly (G of Figure 8) with screws (C).

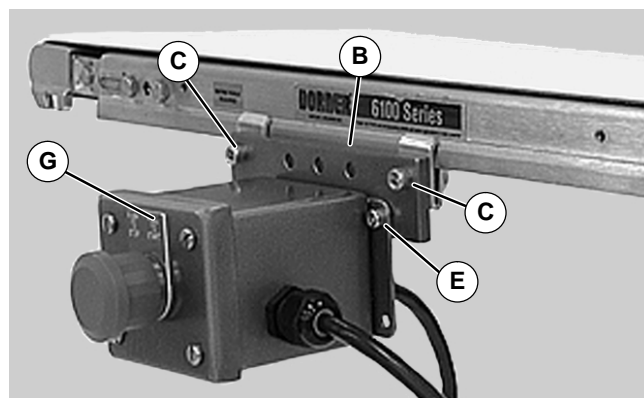


Figure 8

## Vertical Mounting to Aluminum Stand Leg

**NOTE:** For shipping, T-bars (A), Mounting Plate (B), Mounting Brackets (D) and Pushbutton Box (G) are pre-assembled. Detach T-bars and mounting plate before proceeding.

1. Insert two Single Drop-in T-bars (A of Figure 9) into Leg slot.

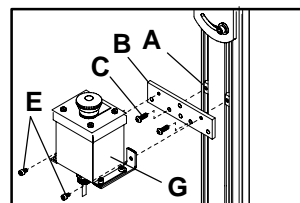


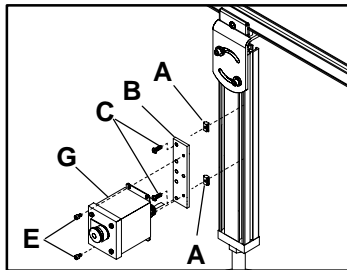
Figure 9

2. Attach mounting plate (B) to T-bars (A) with screws (C).
3. Attach Pushbutton Box assembly (G of Figure 9) to mounting plate (B) with screws (E).

## Horizontal Mounting to Aluminum Stand Leg

**NOTE:** For shipping, T-bars (A), Mounting Plate (B), Mounting Brackets (D) and Pushbutton Box (G) are pre-assembled. Detach all before proceeding.

1. Attach Pushbutton Box (G of Figure 10) to mounting plate (B) with screws (E).
2. Insert two Single Drop-in T-bars (A) into Leg slot.



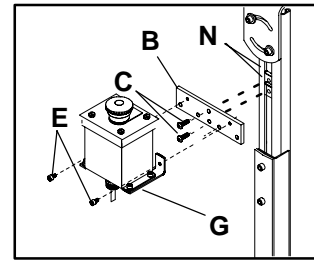
**Figure 10**

3. Attach Pushbutton Box assembly (G) to T-bars (A) with screws (C).

## Vertical Mounting to Steel Stand Leg

**NOTE:** For shipping, T-bars (A), Mounting Plate (B), Mounting Brackets (D) and Pushbutton Box (G) are pre-assembled. Detach T-bars and mounting plate before proceeding.

1. Install two Spring Nuts (N of Figure 11) into Leg slot.



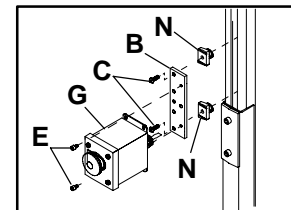
**Figure 11**

2. Attach mounting plate (B) to Spring Nuts (N) with screws (C).
3. Attach Pushbutton Box assembly (G) to mounting plate (B) with screws (E).

## Horizontal Mounting to Steel Stand Leg

**NOTE:** For shipping, T-bars (A), Mounting Plate (B), Mounting Brackets (D) and Pushbutton Box (G) are pre-assembled. Detach all before proceeding.

1. Install two Spring Nuts (N of Figure 12) into Leg slot.



**Figure 12**

2. Attach Pushbutton Box (G) to mounting plate (B) with screws (E).
3. Attach Pushbutton Box assembly to Spring Nuts (N) with screws (C).

# Installation

## Cable Routing

**NOTE:** Cable routing should not run near any moving Conveyor parts, where it could possibly be damaged or cause damage to the Conveyor.

1. The Conveyor T-Slot channel or optional 6 ft (1829mm) or 12.5-ft (3810 mm) Wire Troughs (Dorner #75-85-6 or #75-85-12) can be used to route wire.
2. To contain a long run of wiring cable in the conveyor T-slot channel, use several short lengths of T-slot Cover Strips (M) (Figure 13). Or, to completely contain a long run of cable, purchase T-slot Cover Strip (645656P) at length required.

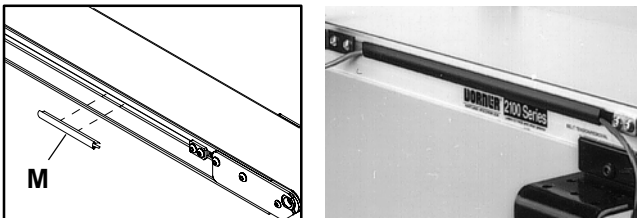


Figure 13

3. To route Cable over a previously mounted component or to anchor the Cable, use the Zip Tie Mounts

(I of Figure 14) and Single Drop-in T-bars (A). Secure each Zip Tie Mount with M6 screw (H).

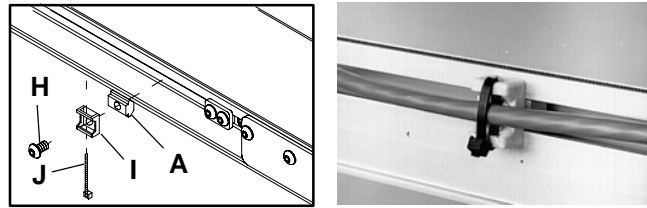


Figure 14

4. Figure 15 shows a typical wire routing of an E-Stop connection to the Conveyor motor using the Conveyor's T-slot with both T-Slot Closure Strips and Zip Ties (J).

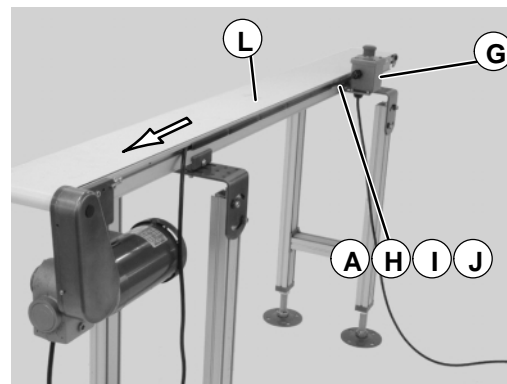
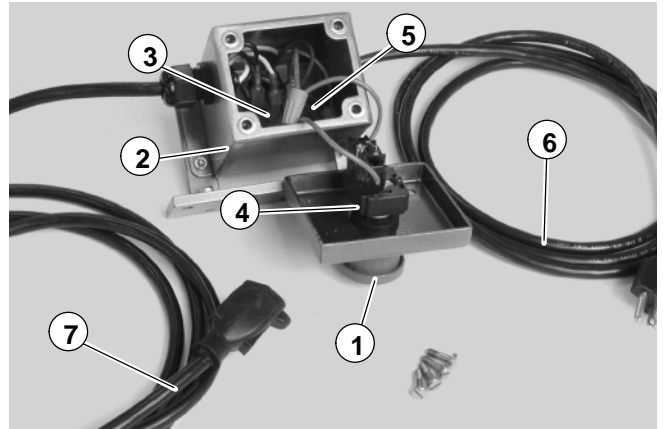


Figure 15

Item	Part Number	Part Description
1	830-142 830-141	Push Button, Illuminated Push Button, Non-illuminated
2	699727	Enclosure
3	830-190	Power Module
4	805-145 805-160	Contact Block (for Illuminated only) Contact Block (for Both Models)
5	805-655	Relay
6	805-053	Power Cord
7	805-805	Motor Cord



**Figure 16**

---

## Return Policy

---

No returns will be accepted without prior written factory authorization. When calling for authorization, please have the following information ready for the Dorner Factory representative or your local distributor:

1. Name and address of customer.
2. Item(s) being returned.
3. Reason for return.
4. Customer's original order number used when ordering the item(s).
5. Dorner or distributor invoice number.

A representative will discuss action to be taken on the Returned items and provide a Returned Goods Authorization Number to reference.

There will be a 15% restocking charge on all new items returned for credit where Dorner was not at fault. These will not be accepted after 60 days from original invoice date. The restocking charge covers inspection, cleaning, disassembly, and reissuing to inventory.

If a replacement is needed prior to evaluation of returned item, a purchase order must be issued. Credit (if any) is issued only after return and evaluation is complete.

Dorner has representatives throughout the world. Feel free to contact Dorner for the name of your local representative. Our technical sales and service staff will gladly help with your questions on Dorner products.

For a copy of Dorner's Limited Warranty, contact factory, distributor, service center or visit our website @ [www.dorner.com](http://www.dorner.com)

**For replacement parts, contact an authorized  
Dorner Service Center or the factory.**

**DORNER<sup>®</sup>**

Dorner Mfg. Corp. reserves the right to change or discontinue products without notice. All products and services are covered in accordance with our standard warranty. All rights reserved. ©Dorner Mfg. Corp. 1999

**DORNER MFG. CORP.**

580 Industrial Drive, PO Box 20  
Hartland, WI 53029-0020 USA

**USA**

**TEL 1-800-397-8664 (USA)**

**FAX 1-800-369-2440 (USA)**

Outside the USA:

TEL 1-262-367-7600, FAX  
1-262-367-5827

**DORNER**

Arnold-Sommerfeld-Ring 2  
D-52499 Baesweiler

**Germany**

**TEL (02401) 80 52 90**

**FAX (02401) 80 52 93**

**Internet: [www.dorner.com](http://www.dorner.com)**