

## 3200 & LPZ Series Side Mount 90 Degree Drive Package for Light & Standard Load 60 Hz Gearmotors





## Table of Contents

Warnings – General Safety .....	2	Preventive Maintenance & Adjustment .....	6
Introduction .....	2	Required Tools .....	6
Product Description .....	3	Gear Reducer Replacement .....	6
Specifications .....	3	Motor Replacement .....	8
Gearmotors .....	5	Service Parts .....	10
3200 Belt Speeds .....	5	Side Mount 90 Degree Drive Package .....	10
Installation .....	5	Gearmotors .....	11
Required Tools .....	5	Return Policy .....	12
Mounting .....	5		

# Warnings – General Safety



	<b>WARNING</b>	
<p>The safety alert symbol, black triangle with white exclamation, is used to alert you to potential personal injury hazards.</p>		

		<b>WARNING</b>
<p>Gearmotors may be HOT. DO NOT TOUCH Gearmotors.</p>		

		<b>DANGER</b>
<p>Climbing, sitting, walking or riding on conveyor will cause severe injury. KEEP OFF CONVEYORS.</p>		

		<b>WARNING</b>
<p>Exposed moving parts can cause severe injury. REPLACE ALL GUARDS BEFORE RUNNING CONVEYOR.</p>		

		<b>DANGER</b>
<p>Do NOT OPERATE CONVEYORS IN AN EXPLOSIVE ENVIRONMENT.</p>		

		<b>WARNING</b>
<p>Dorner cannot control the physical installation and application of conveyors. Taking protective measures is the responsibility of the user.</p> <p>When conveyors are used in conjunction with other equipment or as part of a multiple conveyor system, CHECK FOR POTENTIAL PINCH POINTS and other mechanical hazards before system start-up.</p>		

		<b>WARNING</b>
<p>Exposed moving parts can cause severe injury. LOCK OUT POWER before removing guards or performing maintenance.</p>		

## Introduction

**IMPORTANT:** Some illustrations may show guards removed. Do NOT operate equipment without guards.

Upon receipt of shipment:


- Compare shipment with packing slip. Contact factory regarding discrepancies.
- Inspect packages for shipping damage. Contact carrier regarding damage.
- Accessories may be shipped loose. See accessory instructions for installation.

Dorner 3200 Series conveyors are covered by patent numbers 5156260, 5156261, 5203447, 5265714 and patent applications in other countries.

Dorner LPZ Series conveyors are covered by patent numbers 5156260, 5156261, 5203447, 5265714, 5875883 and patent applications in other countries.

Dorner's Limited Warranty applies.

Dorner reserves the right to make changes at any time without notice or obligation.

Dorner has convenient, pre-configured kits of Key Service Parts for all conveyor products. These time saving kits are easy to order, designed for fast installation, and guarantee you will have what you need when you need it. Key Parts and Kits are marked in the Service Parts section of this manual with the Performance Parts Kits logo .

# Product Description

Refer to Figure 1 for typical components.

Typical Components	
A	Conveyor
B	Mounting Bracket
C	Gearmotor Assembly
D	Spider Web Bushing
E	Anti-Rotation Pin
F	Coupling Half

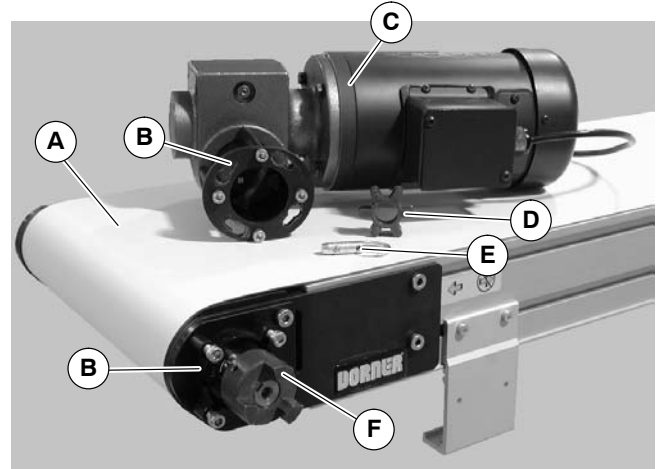


Figure 1

# Specifications

## Gearmotor Mounting Package Models:

Example:

32 M S H S A

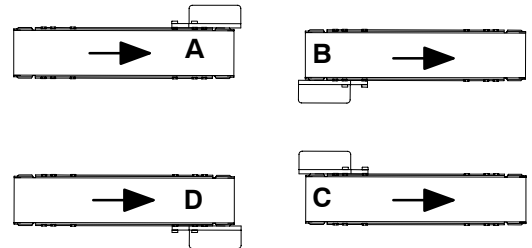
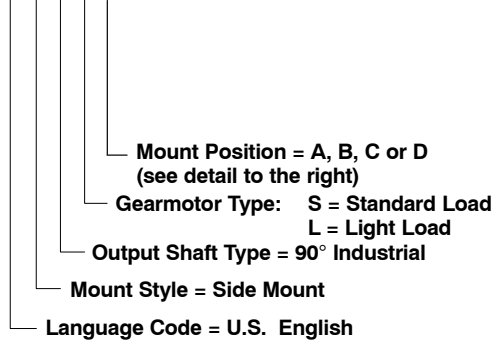


Table 1: Gearmotor Specifications

Item	Light Load Gearmotor			Standard Load Gearmotor			
	Single-Phase	Three Phase	DC Variable Speed	Single-Phase	Three Phase	VFD Variable Speed	DC Variable Speed
Output Power	0.25 hp (0.19 kw)			0.5 hp (0.37 kw)			
Input Voltage	115VAC	208 – 230/460 VAC	130VDC	115VAC	208 – 230/460 VAC	230 VAC	90VDC
Input Frequency	60Hz		N/A	60Hz		10 – 60Hz	N/A
Input Current (Amperes)	5.0	1.2/0.6	2.2	7.4	2.1 – 2/1	1.6	5.0
Gearmotor Ratios	5:1, 10:1, 20:1, 40:1, 60:1			5:1, 10:1, 20:1, 40:1, 60:1			
Frame Size	NEMA 42CZ			NEMA 56C			
Motor Type	Totally enclosed, Fan cooled			Totally enclosed, Fan cooled			

# Specifications

**Table 2: Belt Speeds for Fixed Speed 90° 60 Hz Gearmotors**

Light Load Gearmotors				Standard Load Gearmotors				Belt Speed	
Part Number	RPM	In-lb	N-m	Part Number	RPM	In-lb	N-m	Ft/min	M/min
32M060HL4(vp)FN	29	226	25.5	32M060HS4(vp)FN	29	226	25.5	23	7.0
32M040HL4(vp)FN	43	237	26.8	32M040HS4(vp)FN	43	247	27.9	34	10.4
32M020HL4(vp)FN	86	142	16	32M020HS4(vp)FN	86	248	27.9	69	21.0
32M010HL4(vp)FN	173	78	8.8	32M010HS4(vp)FN	173	156	17.6	137	41.8
N/A	N/A	N/A	N/A	32M005HS4(vp)FN	345	81	9.1	275	83.8

(vp) = voltage and phase

11 = 115 V, 1-phase

23 = 208 – 230/460 V, 3-phase

**Table 3: Belt Speeds for Variable Speed 90° DC Gearmotors**

Light Load Gearmotors				Standard Load Gearmotors				Belt Speed	
Part Number	RPM	In-lb	N-m	Part Number	RPM	In-lb	N-m	Ft/min	M/min
32M060HLD3DEN	42	198	22.4	32M060HSD9DEN	42	198	22.4	4.0 – 33	1.2 – 10
32M040HLD3DEN	63	163	18.4	32M040HSD9DEN	63	215	24.3	6.0 – 50	1.8 – 15
32M020HLD3DEN	125	98	11.1	32M020HSD9DEN	125	196	22.1	12 – 100	3.6 – 30
32M010HLD3DEN	250	54	6.1	32M010HSD9DEN	250	108	12.2	24 – 200	7.3 – 61
N/A	N/A	N/A	N/A	32M005HSD9DEN	500	56	12.2	48 – 398	15– 121

**Table 4: Belt Speeds for Fixed Speed 90° VFD Gearmotors**

Standard Load Gearmotors				Belt Speed	
Part Number	RPM	In-lb	N-m	Ft/min	M/min
32M060HS423EN	29	226	25.5	2.3 – 22.9	0.7 – 7.0
32M040HS423EN	43	247	27.9	3.4 – 34.3	1.0 – 10.5
32M020HS423EN	86	248	27.9	6.9 – 68.6	2.1 – 20.9
32M010HS423EN	173	156	17.6	13.7 – 137.3	4.2 – 41.9
32M005HS423EN	345	81	9.1	27.5 – 274.6	8.4 – 83.7

**NOTE: For belt speed other than those listed, contact factory for details.**

## Required Tools

- Hex key wrenches:  
2 mm, 2.5 mm, 3 mm, 5 mm
- Torque wrench

## Mounting



Installation Component List	
C	Gearmotor Assembly
D	Spider Web Bushing
E	Anti-rotation pin

1. Typical components (Figure 2)

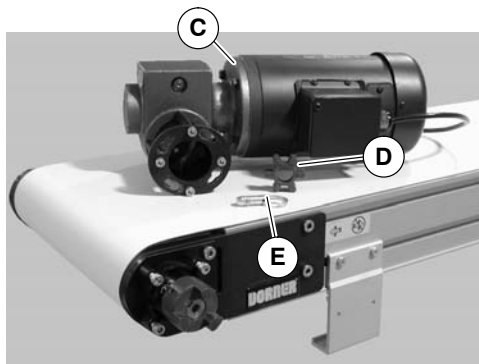


Figure 2

**NOTE:** Gearmotor may be operated in positions 1, 3 or 4 (Figure 3).

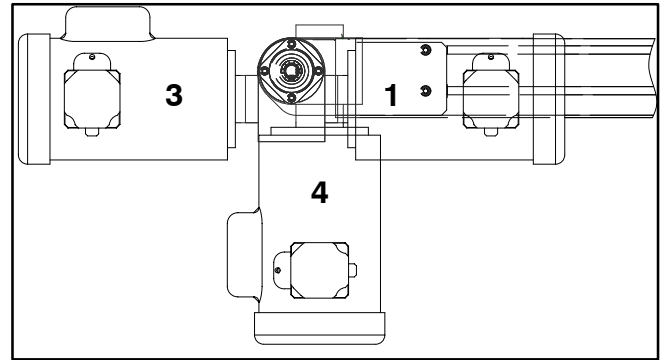


Figure 3

2. Install spider bushing (D of Figure 4) in three jaw coupling (G).

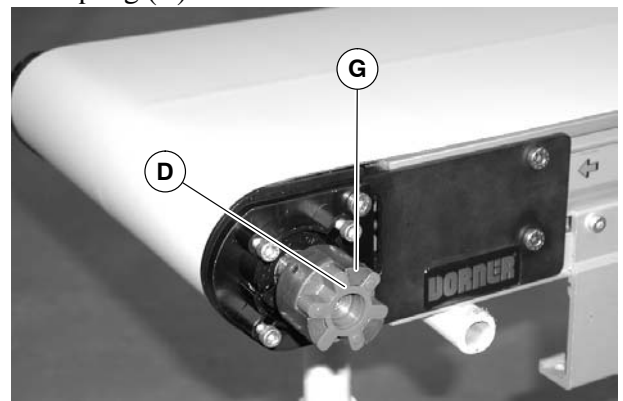


Figure 4

3. Rotate conveyor belt and attached conveyor coupling (H of Figure 5) to align with gearmotor coupling (I).

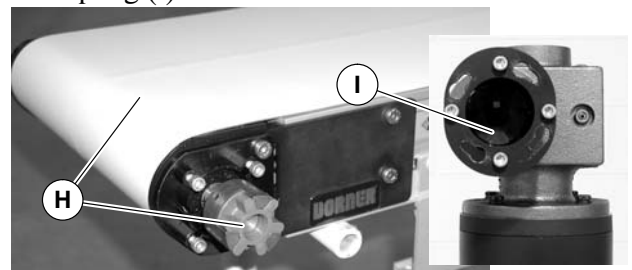


Figure 5

4. Slide mounting screws (J of Figure 6) through slots (K) in gearmotor bracket (L). Rotate gearmotor assembly into desired position.

# Installation

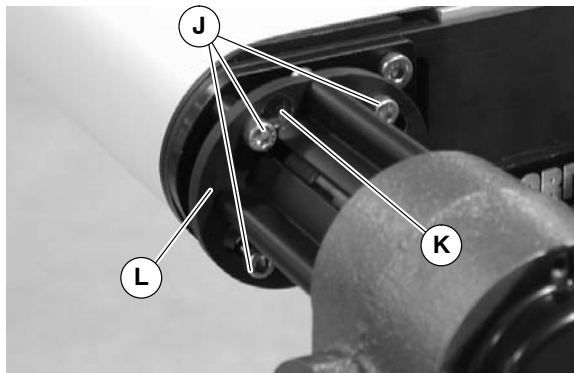


Figure 6

5. Tighten screws (J of Figure 7) to 146 in-lbs (16.5 N-m) and install anti rotation pin (E).

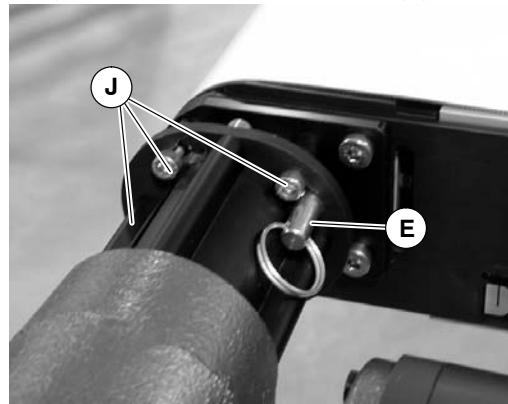


Figure 7

## Preventive Maintenance and Adjustment

### Required Tools

- Hex key wrenches:
  - 2 mm, 2.5 mm, 3 mm, 5 mm
- Adjustable wrench (for hexagon head screws)
- Straight edge
- Torque wrench

### Gear Reducer Replacement

	<p><b>WARNING</b></p> <p>Exposed moving parts can cause severe injury.</p> <p><b>LOCK OUT POWER</b> before removing guards or performing maintenance.</p>
---	---

1. Remove two (2) screws (M of Figure 8) and remove drive shaft cover (N).

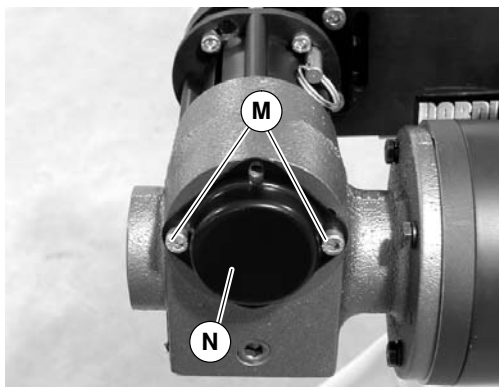


Figure 8

2. Loosen the four (4) coupling lock screws (J of Figure 9), remove anti rotation pin (E). Rotate and remove gearmotor assembly.

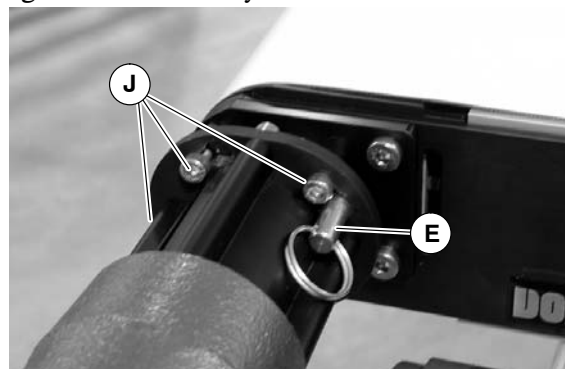


Figure 9

3. Remove the four (4) coupling spacer screws (O of Figure 10) and remove the coupling guards (P).

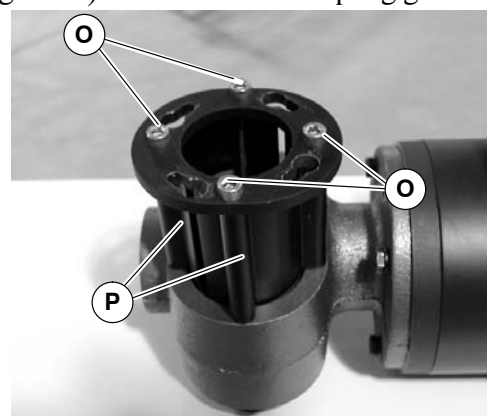


Figure 10

4. Remove four screws (Q of Figure 11). Detach motor (R) from gear reducer (S). Retain motor output shaft key (T).

# Preventive Maintenance and Adjustment

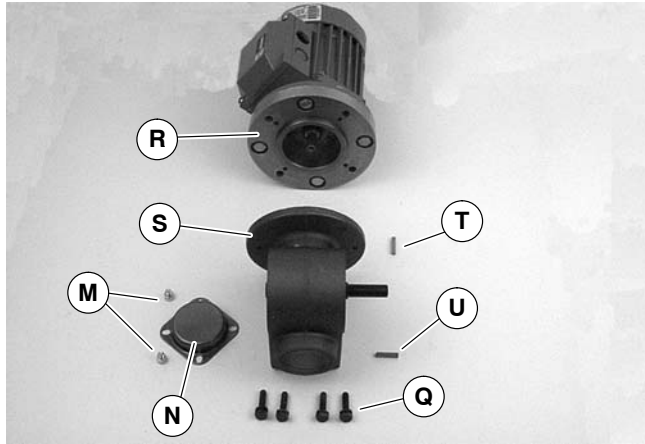


Figure 11

5. Loosen set screw (V of Figure 12) and remove 3 jaw coupling (W).

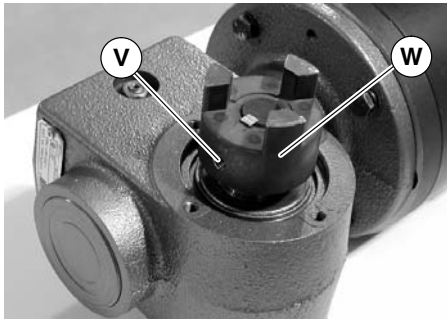


Figure 12

6. Loosen set screws (X of Figure 13) and remove gear reducer output shaft (Y) and key (U).

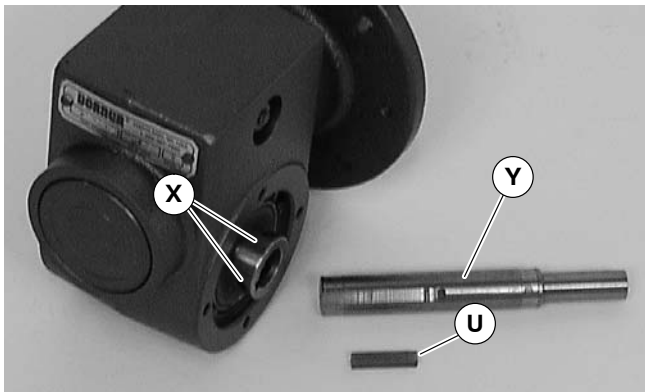


Figure 13

7. Insert the new shaft (Y of Figure 13) and key (U) into new gear reducer. Tighten set screws (X) to 35 in-lb (4 N-m).
8. Install cover (N of Figure 8) and tighten two (2) screws (M) to 50 in-lbs (5.6 N-m).

**IMPORTANT:** Be extremely careful when coupling motor to gear reducer. Avoid misalignment and forcing the connection causing possible permanent gear reducer seal damage.

9. With key (T of Figure 14) in keyway, slide motor (R) and gear reducer (S) together.

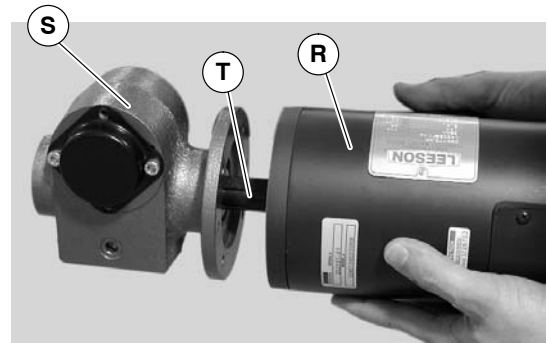


Figure 14

10. Install screws (Q of Figure 15) and tighten to 65 in-lbs (7.3N-m).

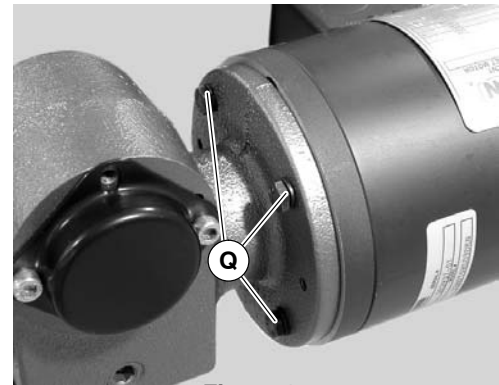



Figure 15

11. Install 3 jaw coupling (W of Figure 12) and tighten set screw (V) to 45 in-lbs (5 N-m).
12. Install coupling spacer (P of Figure 10) to gearmotor (S) and tighten screws (O) to 110 in-lb (12 N-m).
13. Complete steps 2 through 5 of “Mounting” section beginning on page 5.

# Preventive Maintenance and Adjustment

## Motor Replacement

	<p><b>! WARNING</b></p> <p>Exposed moving parts can cause severe injury. <b>LOCK OUT POWER</b> before removing guards or performing maintenance.</p>
---	--

	<p><b>! DANGER</b></p> <p>Hazardous voltage will cause severe injury or death. <b>LOCK OUT POWER BEFORE WIRING.</b></p>
---	---

1. For single phase motor, unplug power cord from outlet.
2. For three phase and VFD variable speed motor:
  - a. Loosen terminal box screws (Z of Figure 16) and remove cover (AA).

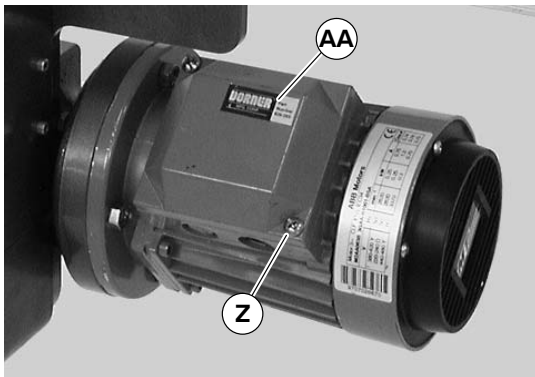


Figure 16

- b. Record wire colors on terminals 1, 2 and 3. Loosen wire nuts and remove wires 1, 2 and 3.
  - c. Loosen cord grip and remove cord.
3. For DC variable speed motor, unplug motor cord at disconnect (AB of Figure 17).

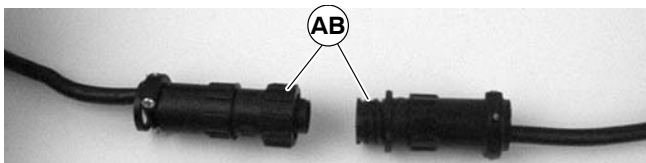


Figure 17

4. Remove four (4) screws (Q of Figure 18). Detach motor (R) from gear reducer (S). Retain motor output shaft key (T of Figure 19).

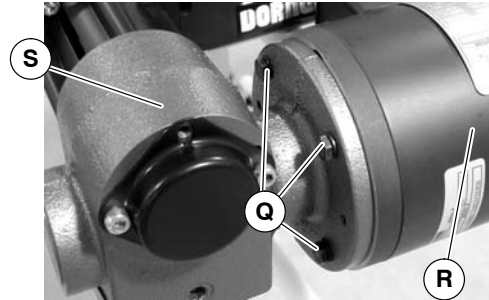


Figure 18

**IMPORTANT:** Be extremely careful when coupling motor to gear reducer. Avoid misalignment and forcing the connection causing possible permanent gear reducer seal damage.

5. With key (T of Figure 19) in keyway, slide motor (R) and gear reducer together.

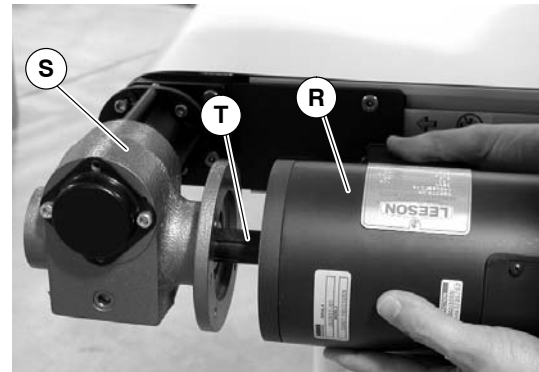


Figure 19

6. Install screws (Q of Figure 20) and tighten to 65 in-lbs (7.3N-m).

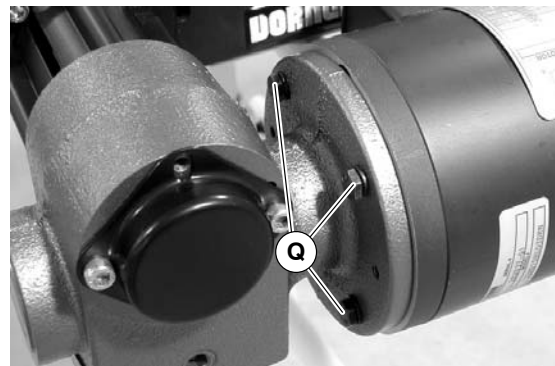


Figure 20

7. Replace wiring:

- For a single phase motor, reverse step 1 on this page.
- For a three phase or VFD variable speed motor, reverse step 2 on this page.
- For a DC variable speed motor, reverse step 3 on this page.

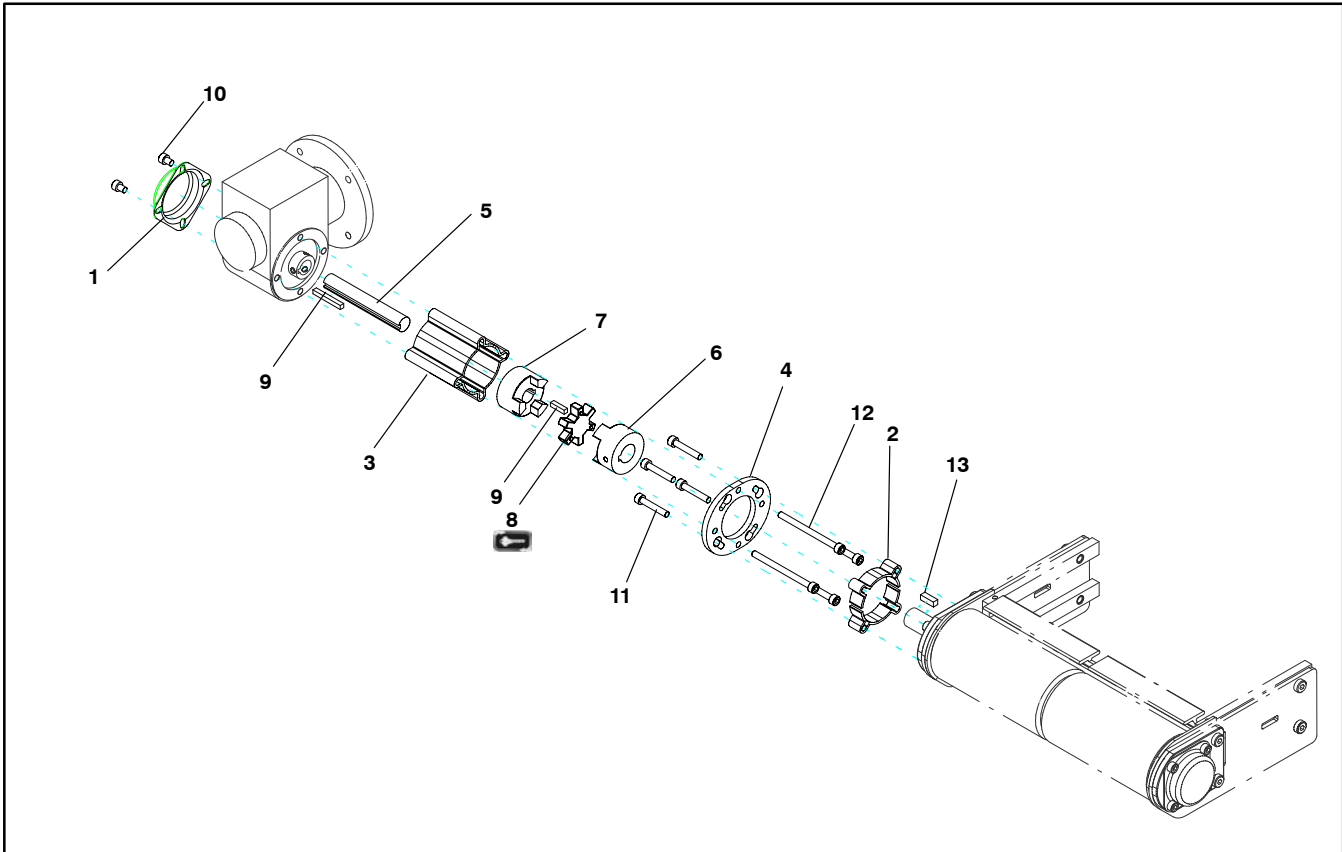




# Service Parts

**NOTE:** For replacement parts other than those shown on this page, contact an authorized Dorner Service Center or the factory. Key Service Parts and Kits are identified by the Performance Parts Kits logo. Dorner recommends keeping these parts on hand.

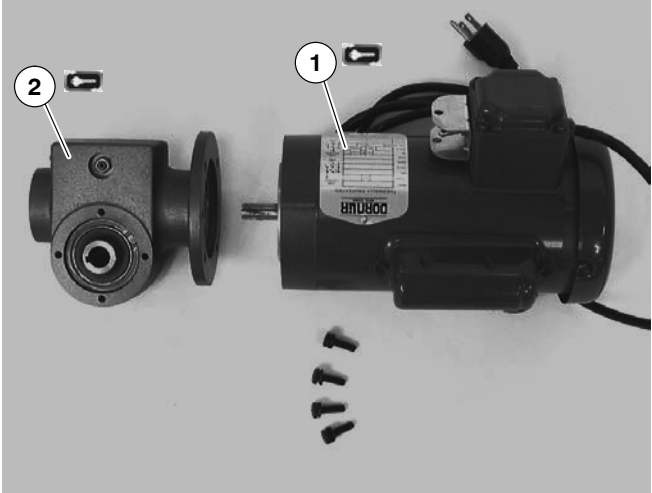
## 3200 Series Conveyors Side Mount Drive Package for Standard Load 90° Industrial Gearmotors



Item	Part Number	Description
1	300139	Bearing Shaft Cover
2	301092	Short Side Drive Guard
3	301093	Long Side Drive Guard
4	301094	Drive Side Mounting Ring
5	301095	5/8" Side Drive Shaft
6	807-1140	20mm 3 Jaw Coupling

7	807-1141	5/8" 3 Jaw Coupling
8	807-1143	3 Jaw Rubber Spider
9	912-084	Square Key
10	920608M	Socket Head Screw M6 x 8mm
11	920635M	Socket Head Screw M6 x 35mm
12	920680M	Socket Head Screw M6 x 80mm
13	980632M	Square Key

## 3200 Standard Load 90° Industrial Gearmotors



**Figure 21**

Item	Part No.	Part Description
1	62MS411FN	Motor, 0.25hp (0.19Kw), 115/230 Volts, 60 Hz, 1-Phase
	62MS411FR	Motor, 0.25hp (0.19Kw), 115/230 Volts, 60 Hz, 1-Phase with Reversing
	62MS423	Motor, 0.25hp (0.19Kw), 208-230/460 Volts, 60 Hz, 3-Phase
	62MSD3DEN	Motor, 0.25hp (0.19Kw), 130 VDC
	62MH411FN	Motor, 0.5hp (0.37Kw), 115/230 Volts, 60Hz, 1-Phase
	62MH423	Motor, 0.5hp (0.37Kw) 208-230/460 Volts, 60Hz, 3 Phase
	62MHD9DEN	Motor, 0.5hp (0.37Kw), 90VDC
	32MS423EN	Motor, 0.5hp (0.37Kw), 230 Volts, 3 Phase Inverter Duty
2	32M005HL	Gear Reducer, 5:1, NEMA 42CZ
	32M010HL	Gear Reducer, 10:1, NEMA 42CZ
	32M020HL	Gear Reducer, 20:1, NEMA 42CZ
	32M040HL	Gear Reducer, 40:1, NEMA 42CZ
	32M060HL	Gear Reducer, 60:1, NEMA 42CZ
	32M005HS	Gear Reducer, 5:1, NEMA 56C
	32M010HS	Gear Reducer, 10:1, NEMA 56C
	32M020HS	Gear Reducer, 20:1, NEMA 56C
32M040HS	Gear Reducer, 40:1, NEMA 56C	
32M060HS	Gear Reducer, 60:1, NEMA 56C	

# Return Policy

Returns must have prior written factory authorization or they will not be accepted. Items that are returned to Dorner without authorization will not be credited nor returned to the original sender. When calling for authorization, please have the following information ready for the Dorner factory representative or your local distributor:

1. Name and address of customer.
2. Dorner part number(s) of Item(s) being returned.
3. Reason for return.
4. Customer's original order number used when ordering the item(s).
5. Dorner or distributor invoice number.

A representative will discuss action to be taken on the returned items and provide a Returned Goods Authorization number for reference.

There will be a return charge on all new undamaged items returned for credit where Dorner was not at fault. Dorner is not responsible for return freight on such items.

### **Conveyors and conveyor accessories**

Standard catalog conveyors	30%
MPB Series, cleated and specialty belt conveyors	50%
7400 & 7600 Series conveyors	non-returnable items
Engineered special products	case by case
Drives and accessories	30%
Sanitary stand supports	non-returnable items

### **Parts**

Standard stock parts	30%
MPB, cleated and specialty belts	non-returnable items

Returns will not be accepted after 60 days from original invoice date.

The return charge covers inspection, cleaning, disassembly, disposal and reissuing of components to inventory.

If a replacement is needed prior to evaluation of returned item, a purchase order must be issued. Credit (if any) is issued only after return and evaluation is complete.

Dorner has representatives throughout the world. Contact Dorner for the name of your local representative. Our Technical Sales, Catalog Sales and Service Teams will gladly help with your questions on Dorner products.

For a copy of Dorner's Warranty, contact factory, distributor, service center or visit our website at [www.dorner.com](http://www.dorner.com).

**For replacement parts, contact an authorized  
Dorner Service Center or the factory.**

# **DORNER**<sup>®</sup>

Dorner Mfg. Corp. reserves the right to change or discontinue products without notice. All products and services are covered in accordance with our standard warranty. All rights reserved. ©Dorner Mfg. Corp. 2000

### **DORNER MFG. CORP.**

975 Cottonwood Ave., PO Box 20  
Hartland, WI 53029-0020 USA

**USA**

**TEL 1-800-397-8664 (USA)**

**FAX 1-800-369-2440 (USA)**

**Internet: [www.dorner.com](http://www.dorner.com)**

**Outside the USA:**

**TEL 1-262-367-7600**

**FAX 1-262-367-5827**