



Table of Contents

WARNINGS – General Safety	2	Connecting to a Single Post Stand	4
Introduction	2	Connecting to All Other Stands	5
Product Description	3	Connecting to a 6100 Series Conveyor	6
Specifications	3	Connecting to 2200, MPB, 3200 and LPZ Series Conveyors	6
Installation	4	Service Parts	7
Recommended Installation Sequence	4	Return Policy	8
Required Tools	4		
Diagonal Bracing	4		
Typical Components	4		

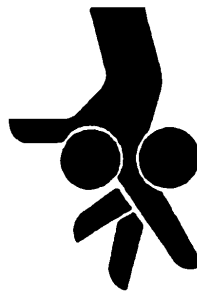
Warnings - General Safety


	WARNING	
<p>The safety alert symbol, black triangle with white exclamation, is used to alert you to potential personal injury hazards.</p>		

	WARNING
<p>Loosening stand height or angle adjustment screws may cause conveyor sections to drop down, causing severe injury.</p> <p>SUPPORT CONVEYOR SECTIONS PRIOR TO LOOSENING STAND HEIGHT OR ANGLE ADJUSTMENT SCREWS.</p>	

	DANGER
<p>Climbing, sitting, walking or riding on conveyor will cause severe injury.</p> <p>KEEP OFF CONVEYORS.</p>	

	DANGER
<p>DO NOT OPERATE CONVEYORS IN AN EXPLOSIVE ENVIRONMENT.</p>	

	WARNING
<p>Dorner cannot control the physical installation and application of conveyors. Taking protective measures is the responsibility of the user.</p> <p>When conveyors are used in conjunction with other equipment or as part of a multiple conveyor system, CHECK FOR POTENTIAL PINCH POINTS and other mechanical hazards before system start-up.</p>	

	WARNING
<p>Exposed moving parts can cause severe injury.</p> <p>LOCK OUT POWER before removing guards or performing maintenance.</p>	

Introduction

IMPORTANT: Some illustrations may show guards removed. Do NOT operate equipment without guards.

Upon receipt of shipment:

- Compare shipment with packing slip. Contact factory regarding discrepancies.
- Inspect packages for shipping damage. Contact carrier regarding damage.
- Accessories may be shipped loose. See accessory instructions for installation.

Dorner's Limited Warranty applies.

Dorner reserves the right to make changes at any time without notice or obligation.

Product Description

Refer to Figures 1 and 2 for typical diagonal brace kit components.

Typical Components

- A Conveyor
- B Support Stand
- C Support Stand Tie Plate
- D Diagonal Brace
- E Connection to Conveyor

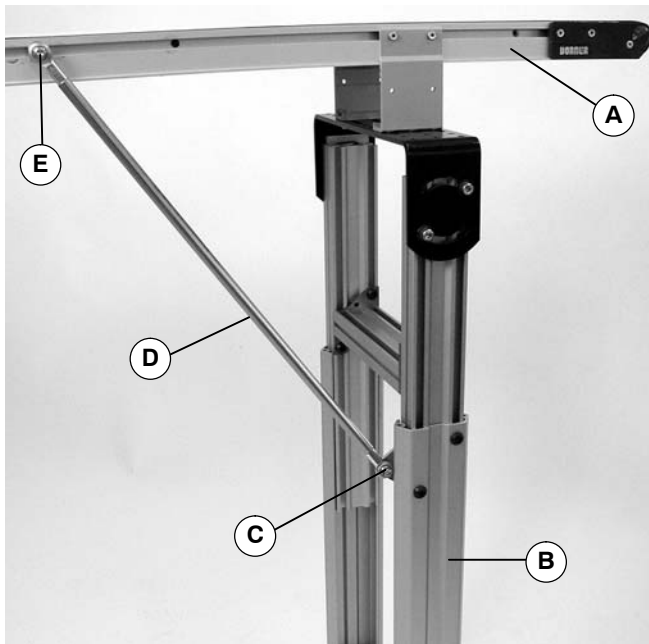


Figure 1

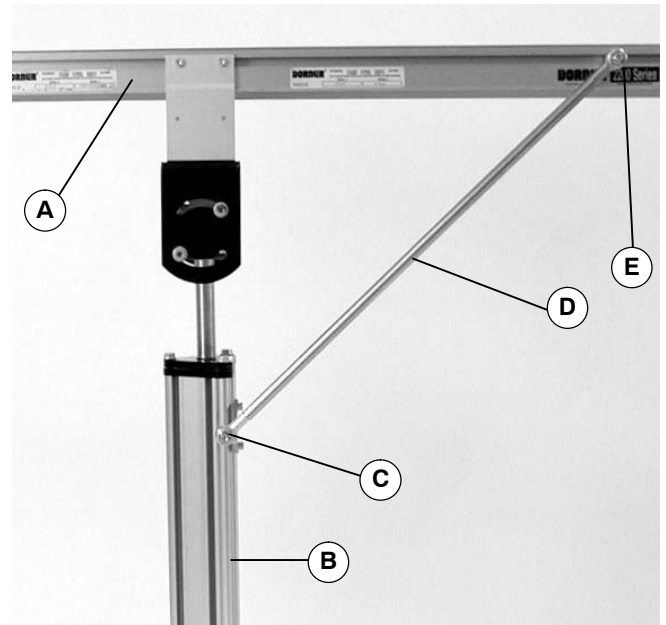


Figure 2

Specifications

Diagonal Brace Models

For Single Post Support Stands = 710247

For All Other Support Stands

Stands under 30" (762mm) tall = 710047

Stands 30" (762mm) and taller = 710046

Installation

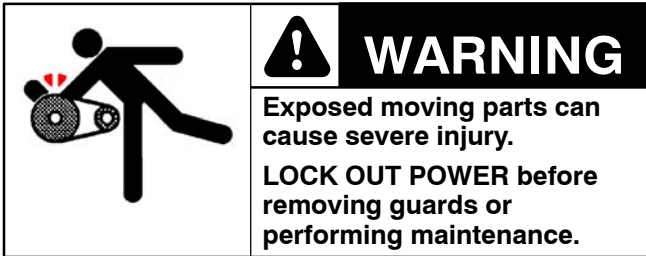
Recommended Installation Sequence

- Attach stand(s) to conveyor (see Stand Installation Maintenance & Parts Manual)
- Attach diagonal bracing
 - Attach end to stand
 - For single post stand see Step 2 (page 4)
 - For all other stands see Step 3 (page 5)
 - Attach end to conveyor
 - For 6100 series conveyor see Step 4 (page 6)
 - For all other conveyors see Step 5 (page 6)
- Adjust stand height and level (see Stand Installation, Maintenance & Parts Manual)

Required Tools

- 5 mm Hex Key Wrench

Diagonal Bracing



1. Typical components (Figure 2).

Typical Components

- | | |
|---|-------------------------|
| K | Drop-in T-Bar |
| L | Diagonal Brace Assembly |
| M | 2 Hole Drop-in T-Bar |
| N | M6 Fastener (2x) |
| O | 6100 Mounting Clip |

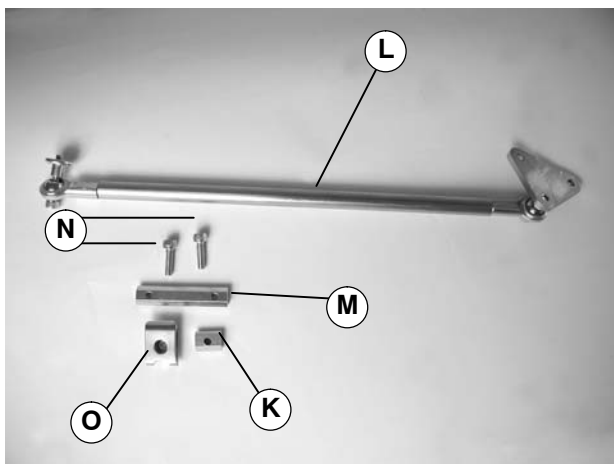


Figure 3

2. Connecting to a Single Post Support Stand

NOTE: One stand leg (U of Figure 4) must be oriented parallel to conveyor (V). Use t-slot (W) for connection to support stand.

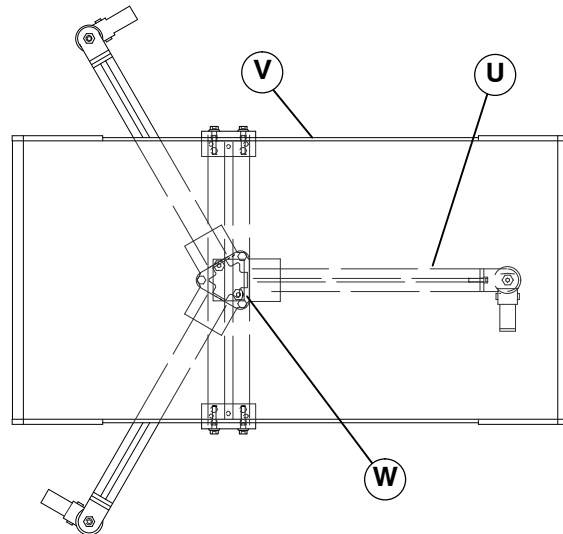


Figure 4

- a. Roll a 2 hole drop-in t-bar (M of Figure 5) into t-slot (W) of the trileg post (X).



Figure 5

- b. Attach support stand tie plate (Z of Figure 6) to the t-bar (M) with two (2) socket screws (Y).



Figure 6

	<p>! WARNING</p> <p>Failure to secure screws (Y of Figure 6) may cause conveyor sections to drop down causing severe injury.</p> <p>TIGHTEN SCREWS (Y) AFTER ADJUSTMENT.</p>
--	--

- c. Tighten screws (Y of Figure 6) to 100 in-lb (11 N-m).

3. Connecting to all other support stands

- a. Roll a 2 hole drop-in t-bar (M of Figure 7) into an inside t-slot (AA) of the vertical stand leg (AB).

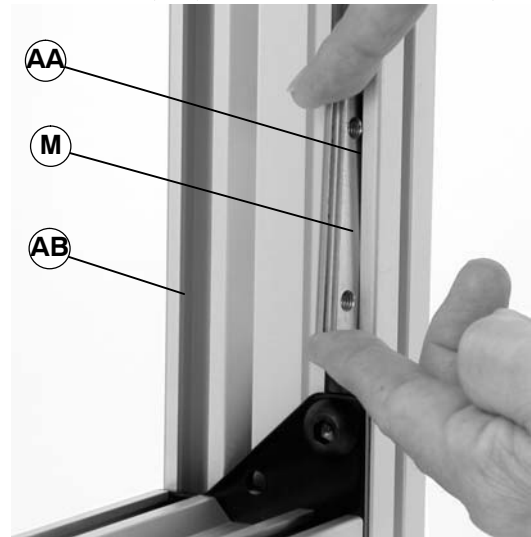


Figure 7

- b. Attach the support stand tie plate (Z of Figure 8) to the stand (AB) with two (2) socket screws (Y).

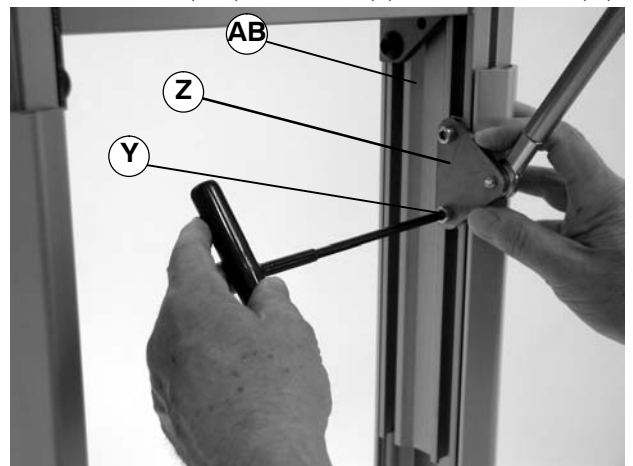


Figure 8

	<p>! WARNING</p> <p>Failure to secure screws (Y of Figure 8) may cause conveyor sections to drop down causing severe injury.</p> <p>TIGHTEN SCREWS (Y) AFTER ADJUSTMENT.</p>
--	--

- c. Tighten socket screws (Y of Figure 8) to 100 in-lb (11 N-m).

Installation

4. Connecting to a 6100 series conveyor

- a. Place mounting clip (O of Figure 9) onto conveyor quick clamp mounting rail (AC).

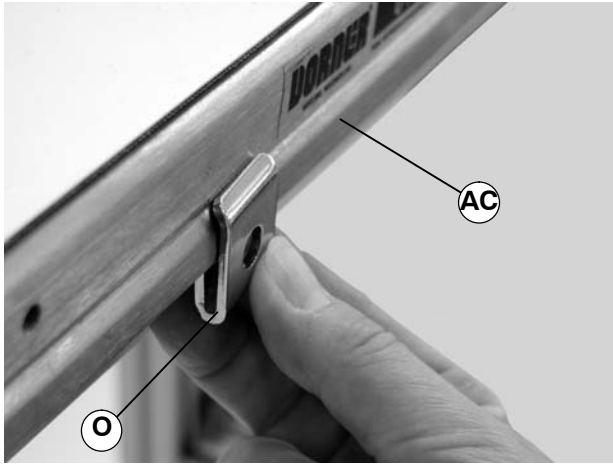


Figure 9

- b. Attach the diagonal brace end (AD of Figure 10) to the mounting clip (O) with socket screw (AE).

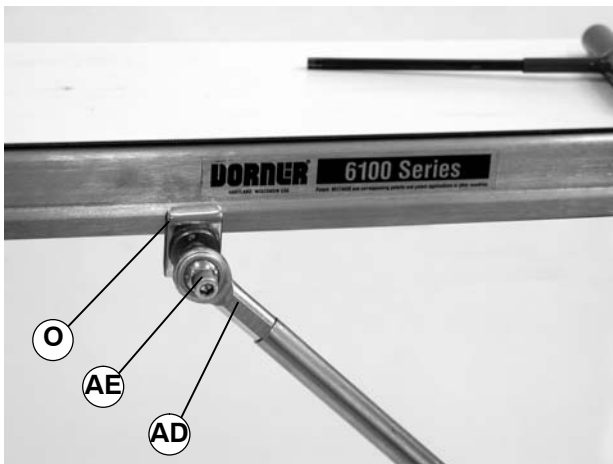


Figure 10

5. Connecting to 2200, MPB, 3200, and LPZ Series conveyors

- a. Roll a drop-in t-bar (K of Figure 11) into conveyor t-slot (AF).

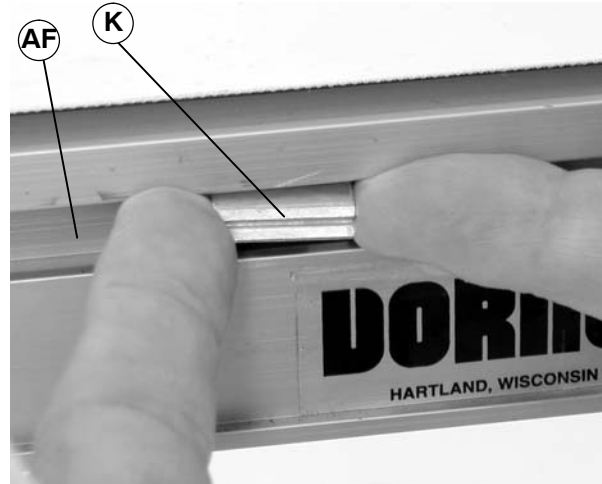


Figure 11

- b. Attach the diagonal brace end (AD of Figure 12) to the t-bar (K) with a socket screw (AE).

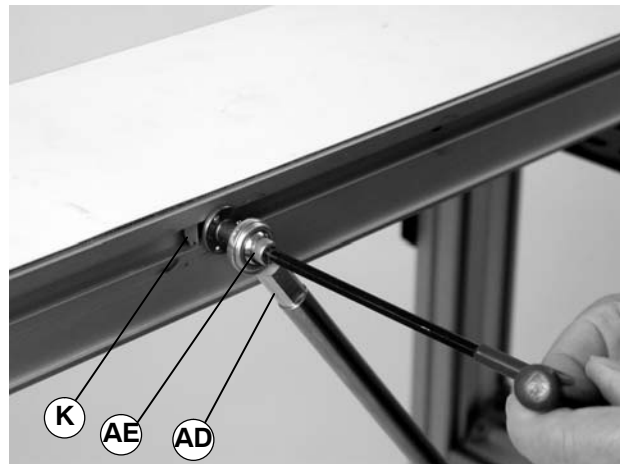


Figure 12

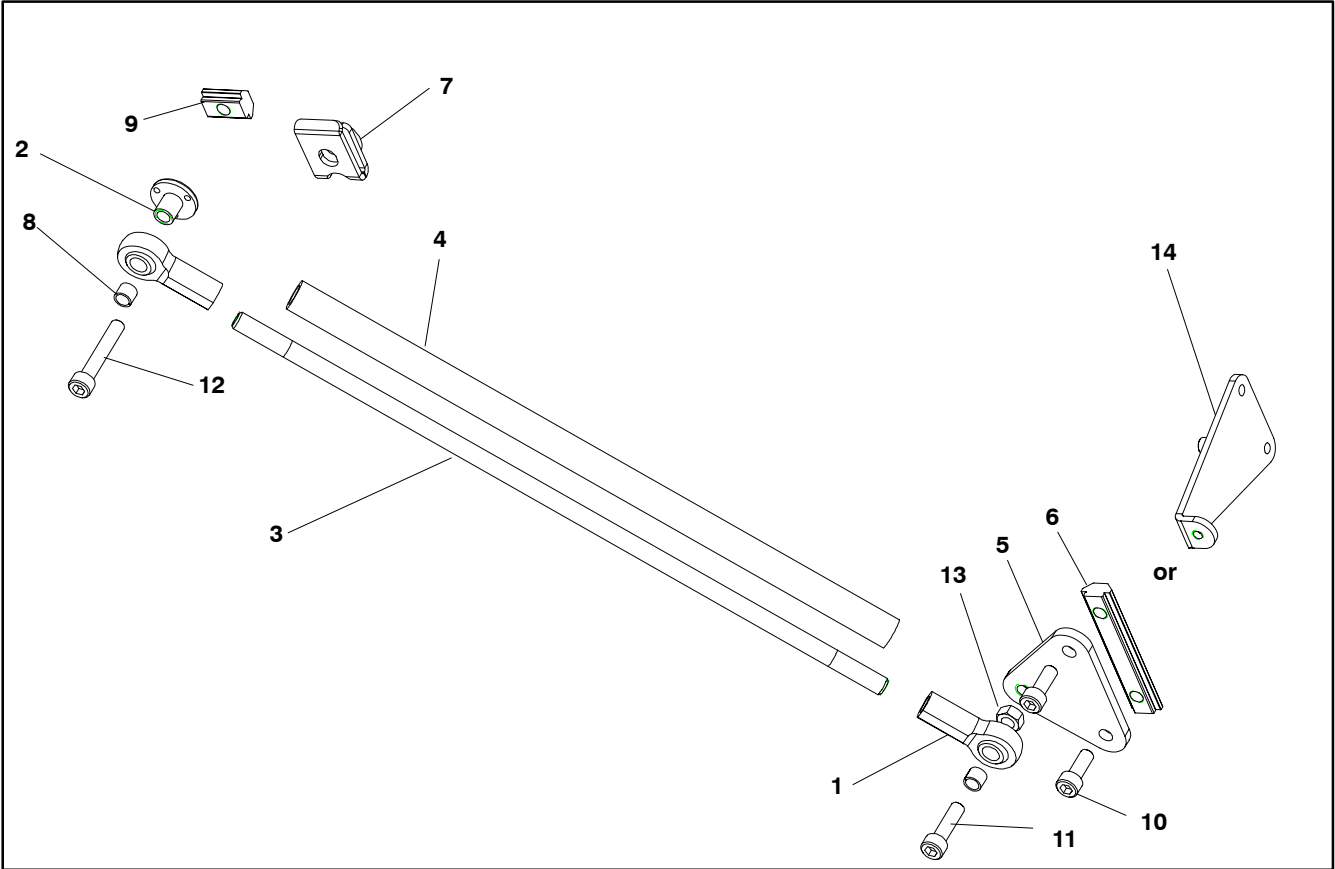
	<p>WARNING</p> <p>Failure to secure screw (AE of Figure 10) may cause conveyor sections to drop down causing severe injury.</p> <p>TIGHTEN SCREW (AE) AFTER ADJUSTMENT.</p>
--	---

- c. Tighten screw (AE of Figure 10) to 100 in-lb (11 N-m).

	<p>WARNING</p> <p>Failure to secure screw (AE of Figure 12) may cause conveyor sections to drop down causing severe injury.</p> <p>TIGHTEN SCREW (AE) AFTER ADJUSTMENT.</p>
--	---

- c. Tighten screw (AE of Figure 12) to 100 in-lb (11 N-m).

Brace Assembly for H Style Stand and Single Post Stand



Item	Part Number	Description
1	801-129	M8 Rod End
2	807-1291	Nut, weld, cir Pilot-M6
3	710009	Stud, Diagonal Brace, 10.500 Long
	710008	Stud, Diagonal Brace, 20.500 Long
4	710012	Tube, Diagonal Brace, 11.500 Long
	710011	Tube, Diagonal Brace, 21.500 Long
5	710013	Plate, Post Stand Mtg, Dia Brace
6	300150M	Bar, Tee, Drop-in 1.88"CD Metric
7	450186M	Clip Assy, Mtg, ACC-Metric

8	450226SSP	Sleeve, .250 Magnet, Stn Stl
9	639971M	Bar, Tee, Drop-in single Metric
10	920616M	Scr, Sock, Metric M6-1.00x16mm
11	920622M	Scr, Sock, Metric M6-1.00x22mm
12	920635M	Scr, Sock, Metric M6-1.00x35mm
13	990601M	Nut, Hex, Full M6-1.00
14	710216	Plate, Post Stand Mtg, Dia Brace Single Post Stand

Return Policy

No returns will be accepted without prior written factory authorization. When calling for authorization, please have the following information ready for the Dorner Factory representative or your local distributor:

1. Name and address of customer.
2. Item(s) being returned.
3. Reason for return.
4. Customer's original order number used when ordering the item(s).
5. Dorner or distributor invoice number.

A representative will discuss action to be taken on the Returned items and provide a Returned Goods Authorization Number to reference.

There will be a 15% restocking charge on all new items returned for credit where Dorner was not at fault. These will not be accepted after 60 days from original invoice date. The restocking charge covers inspection, cleaning, disassembly, and reissuing to inventory.

If a replacement is needed prior to evaluation of returned item, a purchase order must be issued. Credit (if any) is issued only after return and evaluation is complete.

Dorner has representatives throughout the world. Feel free to contact Dorner for the name of your local representative. Our technical sales and service staff will gladly help with your questions on Dorner products.

For a copy of Dorner's Limited Warranty, contact factory, distributor, service center or visit our website @ www.dorner.com

**For replacement parts, contact an authorized
Dorner Service Center or the factory.**

DORNER[®]

Dorner Mfg. Corp. reserves the right to change or discontinue products without notice. All products and services are covered in accordance with our standard warranty. All rights reserved. ©Dorner Mfg. Corp. 1999

DORNER MFG. CORP.

975 Cottonwood Drive, PO Box 20
Hartland, WI 53029-0020 USA

USA

TEL 1-800-397-8664 (USA)

FAX 1-800-369-2440 (USA)

Internet: www.dorner.com

Outside the USA:

TEL 1-262-367-7600

FAX 1-262-367-5827