

## Common Mount Stand



## Table of Contents

|                                     |   |  |   |
|-------------------------------------|---|--|---|
| WARNINGS – General Safety .....     | 2 | Required Tools .....                         | 4 |
| Introduction .....                  | 2 | Attaching Common Mount to Support Stand .... | 4 |
| Product Description .....           | 3 | Attaching Common Mount to Conveyor .....     | 5 |
| Specifications .....                | 3 | Service Parts .....                          | 6 |
| Installation .....                  | 4 | Return Policy .....                          | 8 |
| Installing Common Mount Stand ..... | 4 |  |   |

# Warnings - General Safety

|   |                |  |
|---|----------------|--|
|   | <b>WARNING</b> |  |
| <p>The safety alert symbol, black triangle with white exclamation, is used to alert you to potential personal injury hazards.</p> |                |  |

|   |  |                |
|---|--|----------------|
|   |  | <b>WARNING</b> |
| <p>Exposed moving parts can cause severe injury.<br/> <b>LOCK OUT POWER</b> before removing guards or performing maintenance.</p> |  |                |

|   |  |               |
|---|--|---------------|
|   |  | <b>DANGER</b> |
| <p>Climbing, sitting, walking or riding on conveyor will cause severe injury.<br/> <b>KEEP OFF CONVEYORS.</b></p> |  |               |

|   |  |                |
|---|--|----------------|
|   |  | <b>WARNING</b> |
| <p>Loosening stand height or angle adjustment screws may cause conveyor sections to drop down, causing severe injury.<br/> <b>SUPPORT CONVEYOR SECTIONS PRIOR TO LOOSENING STAND HEIGHT OR ANGLE ADJUSTMENT SCREWS.</b></p> |  |                |

|   |  |               |
|---|--|---------------|
|   |  | <b>DANGER</b> |
| <p><b>DO NOT OPERATE CONVEYORS IN AN EXPLOSIVE ENVIRONMENT.</b></p> |  |               |

|  |  |                |
|--|--|----------------|
|  |  | <b>WARNING</b> |
| <p>Dorner cannot control the physical installation and application of conveyors. Taking protective measures is the responsibility of the user.<br/> <b>When conveyors are used in conjunction with other equipment or as part of a multiple conveyor system, CHECK FOR POTENTIAL PINCH POINTS and other mechanical hazards before system start-up.</b></p> |  |                |

|  |  |               |
|--|--|---------------|
|  |  | <b>DANGER</b> |
| <p>Supports marked with this symbol must be anchored to the floor. Supports not anchored to floor will tip, causing severe injury or death.<br/> <b>SUPPORT MUST BE ANCHORED TO FLOOR.</b></p> |  |               |

## Introduction

**IMPORTANT:** Some illustrations may show guards removed. Do NOT operate equipment without guards.

Upon receipt of shipment:

- Compare shipment with packing slip. Contact factory regarding discrepancies.

- Inspect packages for shipping damage. Contact carrier regarding damage.
- Accessories may be shipped loose. See accessory instructions for installation.

Dorner's Limited Warranty applies.

Dorner reserves the right to make changes at any time without notice or obligation.

# Product Description

Refer to Figure 1 for typical stand components.

| Typical Components |                                       |
|--------------------|---------------------------------------|
| A                  | Common Mount Stand Crossmember        |
| B                  | Common Mount Stand Pivot Bracket (2x) |
| C                  | Conveyors and Mounting Brackets       |
| D                  | Stand Assembly                        |
| E                  | Angle Adjustment Point                |

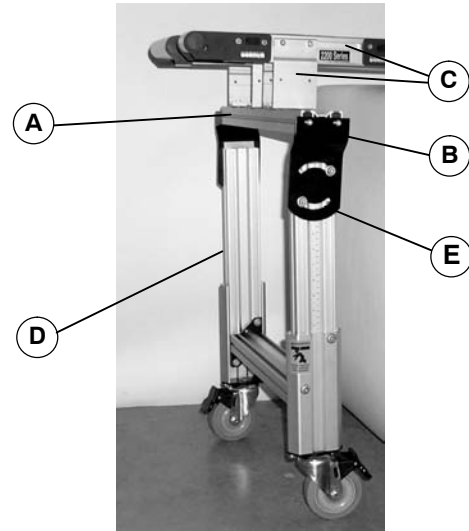
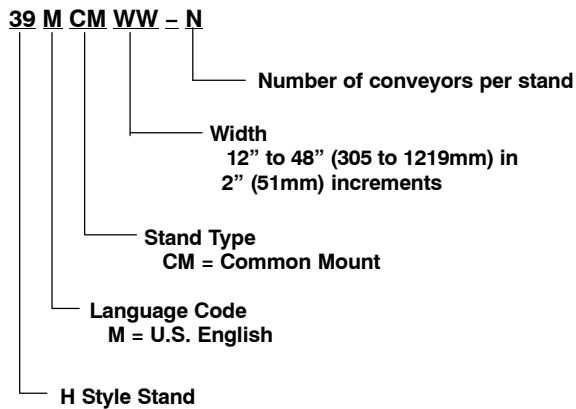


Figure 1

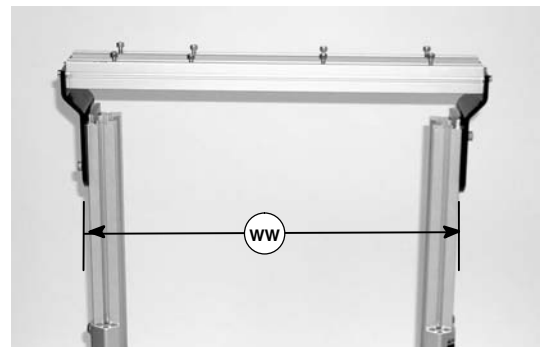
# Specifications

## Common Mount Stand Models




Example: 39MCM18-2

Common mount stand for an H style stand to mount up to two conveyors in parallel. It has U.S. English documentation and includes hardware to attach conveyor mounting brackets to common mount stand crossmember.



# Installation

|   |  |                |
|---|--|----------------|
|  |   | <b>WARNING</b> |
|   | Exposed moving parts can cause severe injury.<br><b>LOCK OUT POWER</b> before removing guards or performing maintenance. |                |

## Installing Common Mount Stand

### Required Tools

- 5 mm and 6 mm Hex Key Wrenches
- Torque Wrench

#### 1. Typical components (Figure 2).

| Typical Components |   |
|--------------------|---|
| F                  | Crossmember Assembly                              |
| G                  | T-Bar Drop-In (4x per conveyor)                   |
| H                  | M6-1.0x16 Socket Head Cap Screw (4x per conveyor) |

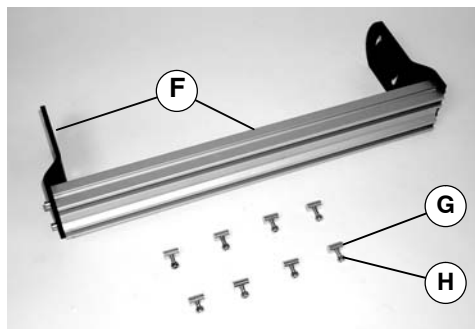


Figure 2

### Attaching Common Mount to Support Stand

**NOTE:** Figure 3 shows a 2" (51mm) to 12" (305mm) stand mounting bracket (L). Removal of the two stand mounting brackets used with support stands wider than 12" (305mm) is similar.

#### 1. Place a support (I of Figure 3) below conveyor.

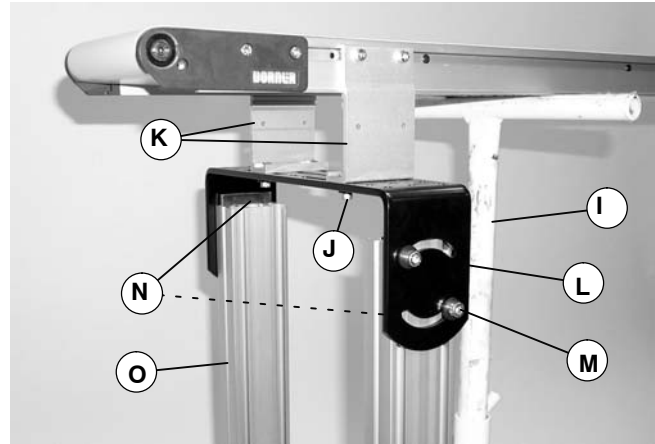


Figure 3

2. Remove square nuts, washers and socket head screws (J) from conveyor mounting brackets (K) and stand mounting bracket (L).
3. Remove and retain four M8 socket head screws (M) from stand mounting bracket (L) and u-nuts (N). Discard stand mounting bracket.
4. Make sure u-nuts (N) are located in outer t-slots of stand legs (O).

**NOTE:** Some early style conveyor mounting brackets (P of Figure 6) have a different hole pattern and will not attach to the common mount stand crossmember. If necessary, replace early style brackets with later style brackets (K).

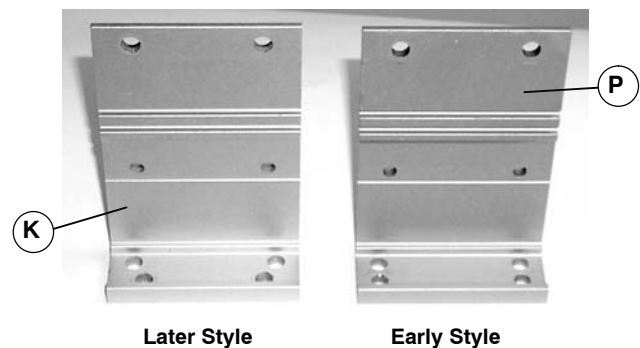
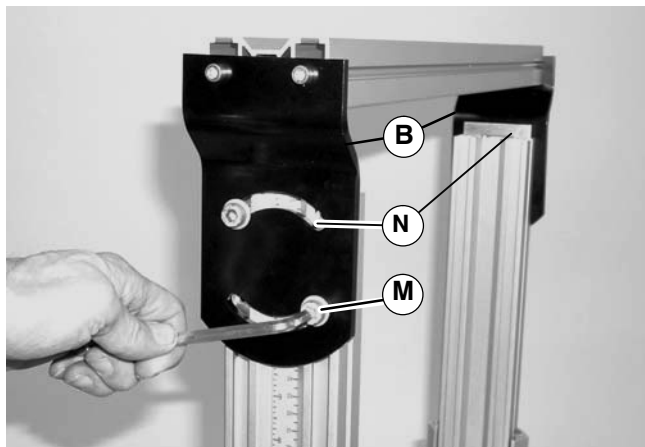


Figure 4



- Align two crossmember mounting brackets (B of Figure 5) with two u-nuts (N). Install four M8 flange socket head screws (M) through brackets and into u-nuts. Tighten screws to 150 in-lb (17 N-m).



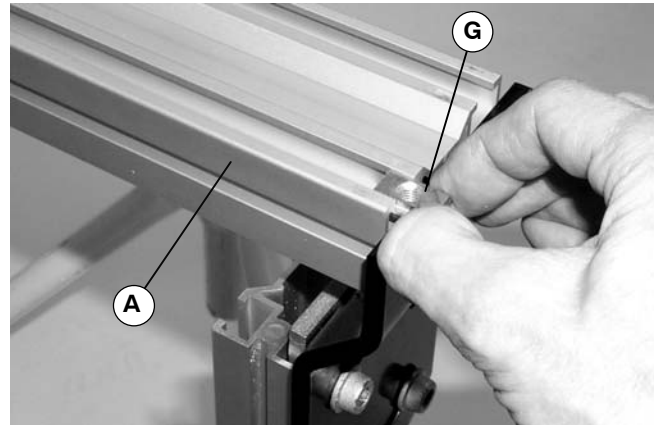
**Figure 5**

- For leveling and height adjustment see Stand Installation, Maintenance and Parts Manual.

## Attaching Common Mount to Conveyor

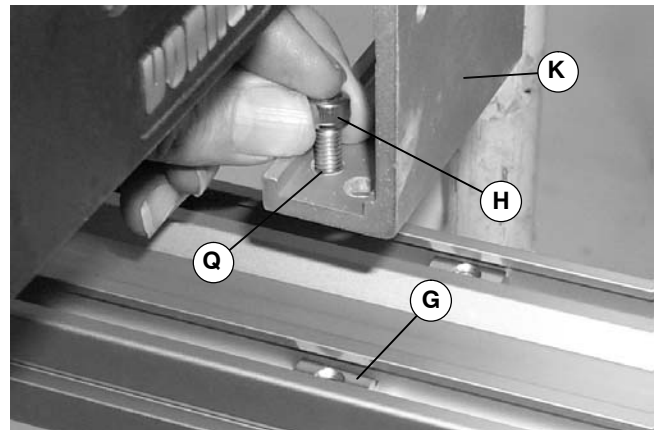
**NOTE:** When installing three or more conveyors on common mount, attach the inner conveyor(s) first.

- Slide two t-bar drop-ins (G of Figure 6) into each channel in crossmember (A).



**Figure 6**

- Install socket head screw (H of Figure 7) through inner hole (Q) in conveyor mounting bracket (K) and into t-bar drop-in (G).



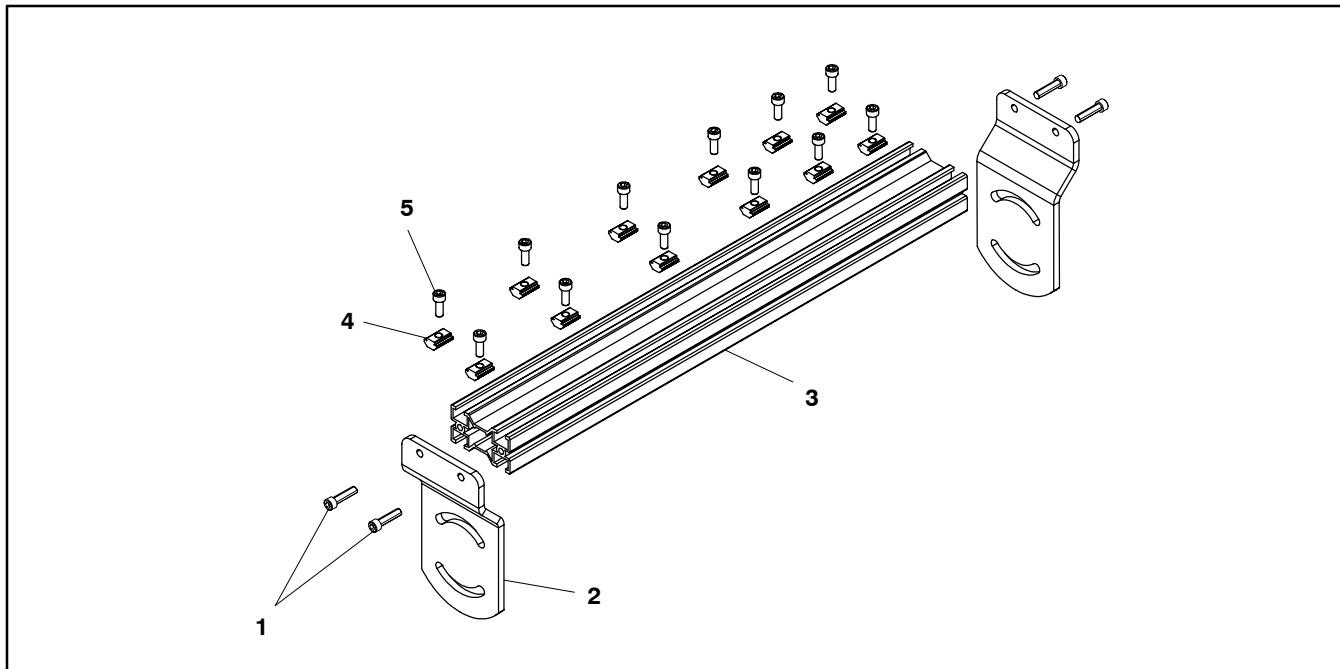
**Figure 7**

- Repeat step 2 for three remaining drop-ins.
- Repeat steps 1 through 3 for other conveyor mounting bracket(s). Tighten screws (H) to 80 in-lb (9 N-m).
- For leveling and height adjustment see Stand Installation, Maintenance and Parts Manual.

# Service Parts

**NOTE: For replacement parts other than those shown on this page, contact an authorized Dorner Service Center or the factory.**

## Stand Common Mount Option



| Item | Part Number            | Description                     |
|------|------------------------|---------------------------------|
| 1    | 708180P                | Screw, Trilobe, M6-1.0x25MM     |
| 2    | 300825M                | Bracket, Pivot                  |
| 3    | See Cross-member Table | Stand Crossmember               |
| 4    | 639971M                | T-Bar, Drop-In, Single          |
| 5    | 920616M                | Screw, Socket Head, M6-1.0x16MM |

|              |              |
|--------------|--------------|
| 22" (559mm)  | 710210-02479 |
| 24" (610mm)  | 710210-02679 |
| 26" (660mm)  | 710210-02879 |
| 28" (711mm)  | 710210-03079 |
| 30" (762mm)  | 710210-03279 |
| 32" (813mm)  | 710210-03479 |
| 34" (864mm)  | 710210-03679 |
| 36" (915mm)  | 710210-03879 |
| 38" (966mm)  | 710210-04079 |
| 40" (1016mm) | 710210-04279 |
| 42" (1067mm) | 710210-04479 |
| 44" (1118mm) | 710210-04679 |
| 46" (1169mm) | 710210-04879 |
| 48" (1220mm) | 710210-05079 |

| Item 3: Crossmember Table |                         |
|---------------------------|-------------------------|
| Stand Width               | Crossmember Part Number |
| 12" (305mm)               | 710210-01479            |
| 14" (356mm)               | 710210-01679            |
| 16" (406mm)               | 710210-01879            |
| 18" (457mm)               | 710210-02076            |
| 20" (508mm)               | 710210-02279            |



---

## Return Policy

---

No returns will be accepted without prior written factory authorization. When calling for authorization, please have the following information ready for the Dorner Factory representative or your local distributor:

1. Name and address of customer.
2. Item(s) being returned.
3. Reason for return.
4. Customer's original order number used when ordering the item(s).
5. Dorner or distributor invoice number.

A representative will discuss action to be taken on the Returned items and provide a Returned Goods Authorization Number to reference.

There will be a 15% restocking charge on all new items returned for credit where Dorner was not at fault. These will not be accepted after 60 days from original invoice date. The restocking charge covers inspection, cleaning, disassembly, and reissuing to inventory.

If a replacement is needed prior to evaluation of returned item, a purchase order must be issued. Credit (if any) is issued only after return and evaluation is complete.

Dorner has representatives throughout the world. Feel free to contact Dorner for the name of your local representative. Our technical sales and service staff will gladly help with your questions on Dorner products.

For a copy of Dorner's Limited Warranty, contact factory, distributor, service center or visit our website @ [www.dorner.com](http://www.dorner.com)

**For replacement parts, contact an authorized  
Dorner Service Center or the factory.**

**DORNER<sup>®</sup>**

Dorner Mfg. Corp. reserves the right to change or discontinue products without notice. All products and services are covered in accordance with our standard warranty. All rights reserved. ©Dorner Mfg. Corp. 1999

**DORNER MFG. CORP.**

975 Cottonwood Drive, PO Box 20  
Hartland, WI 53029-0020 USA

**USA**

**TEL 1-800-397-8664 (USA)**

**FAX 1-800-369-2440 (USA)**

**Internet: [www.dorner.com](http://www.dorner.com)**

**Outside the USA:**

**TEL 1-262-367-7600**

**FAX 1-262-367-5827**