

6200 Series Industrial Center Drive Conveyors

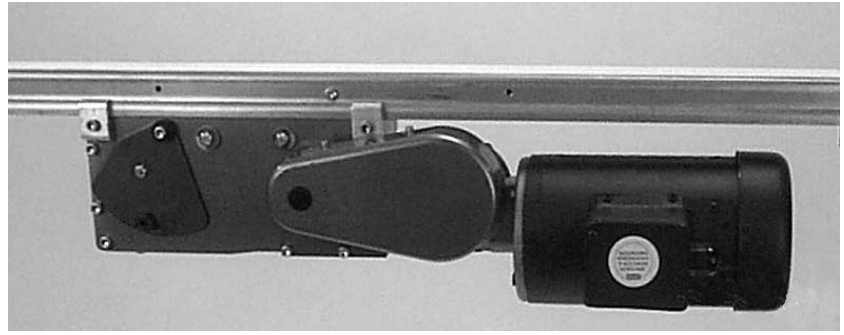
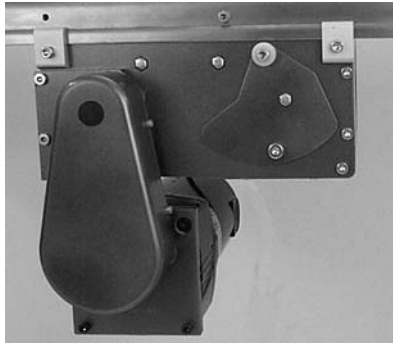


Table of Contents

Warnings – General Safety	2	A – Tension End Pulley Removal	15
Introduction	2	B – Fixed End Pulley Removal	16
Product Description	3	C – Drive Pulley Removal	16
Specifications	3	D – Idler Pulley Removal	16
Installation	5	Bearing Replacement for Tension End and Fixed End Pulleys	17
Required Tools	5	Bearing Removal	17
Recommended Installation Sequence	5	Bearing Installation	17
Conveyors Up to 12 ft (3658 mm)	5	Bearing Replacement for Drive Pulley	18
Conveyors Longer Than 12 ft (3658 mm)	5	Bearing Removal	18
Mounting Brackets	6	Bearing Installation	18
Return Rollers	7	Bearing Replacement for Idler Pulleys	19
2" (51mm) Through 6" (152mm) Wide Conveyor	7	Pulley Installation	19
8" (203mm) Through 18" (457mm) Wide Conveyor	7	Service Parts	20
Preventative Maintenance & Adjustment	8	Fixed End Components	20
Required Tools	8	Tension End Components	21
Standard Tools	8	Center Drive Module 5" (127mm) Through 18" (457mm) Wide Conveyors	22
Special Tools	8	Center Drive Module 2" (51mm) Through 4" (102mm) Wide Conveyors	22
Checklist	8	Conveyor Frame and Extension	24
Lubrication	8	-02 0.5" (13mm) Bolt on High Side Guides	25
Conveyors	8	-03 Bolt on Side Wipers	26
Return Rollers	8	-04 3" (76mm) Bolt on High Side Guides	27
Maintaining Conveyor Belt	8	-05 1.5" (38mm) Bolt on High Side Guides	28
Troubleshooting	8	-13 Fully Adjustable UHMW Guides	29
Cleaning	8	-20 Adjustable Width UHMW Guides	30
Conveyor Belt Replacement	8	2" (51mm) Through 6" (152mm) Wide Flat Belt Return Roller	31
Conveyor Belt Replacement Sequence	8	8" (203mm) Through 18" (457mm) Wide Flat Belt Return Roller	31
Belt Removal for Conveyor Without Gearmotor Mounting Package or Stands	9	Conveyor Mounting Brackets	32
Belt Removal for Conveyor With Stands and/or Gearmotor Mounting Package	10	Configuring Conveyor Belt Part Number	32
Center Drive Module Removal	11	Return Policy	34
Belt Removal from Center Drive Module	12		
Installing a New Conveyor Belt	12		
Conveyor Belt Tensioning	14		
Pulley Removal	15		

Warnings – General Safety

	WARNING	
<p>The safety alert symbol, black triangle with white exclamation, is used to alert you to potential personal injury hazards.</p>		

		WARNING
<p>Garmotors may be HOT. DO NOT TOUCH Garmotors.</p>		

		DANGER
<p>Climbing, sitting, walking or riding on conveyor will cause severe injury. KEEP OFF CONVEYORS.</p>		

		WARNING
<p>Dorner cannot control the physical installation and application of conveyors. Taking protective measures is the responsibility of the user.</p> <p>When conveyors are used in conjunction with other equipment or as part of a multiple conveyor system, CHECK FOR POTENTIAL PINCH POINTS and other mechanical hazards before system start-up.</p>		

		DANGER
<p>DO NOT OPERATE CONVEYORS IN AN EXPLOSIVE ENVIRONMENT.</p>		

		WARNING
<p>Exposed moving parts can cause severe injury. LOCK OUT POWER before removing guards or performing maintenance.</p>		

		WARNING
<p>Loosening stand height or angle adjustment screws may cause conveyor sections to drop down, causing severe injury. SUPPORT CONVEYOR SECTIONS PRIOR TO LOOSENING STAND HEIGHT OR ANGLE ADJUSTMENT SCREWS.</p>		

Introduction

IMPORTANT: Some illustrations may show guards removed. Do NOT operate equipment without guards.

Upon receipt of shipment:

- Compare shipment with packing slip. Contact factory regarding discrepancies.
- Inspect packages for shipping damage. Contact carrier regarding damage.
- Accessories may be shipped loose. See accessory instructions for installation.

Dorner's Limited Warranty applies.

Dorner 6200 Series conveyors are covered by Patent Nos. 5174435, 6109427, and corresponding patents and patent applications in other countries.

Dorner reserves the right to make changes at any time without notice or obligation.

Dorner has convenient, pre-configured kits of Key Service Parts for all conveyor products. These time saving kits are easy to order, designed for fast installation, and guarantee you will have what you need when you need it. Key Parts and Kits are marked in the Service Parts section of this manual with the Performance Parts Kits logo

Product Description

Refer to Figure 1 for typical conveyor components.

Typical Components	
A	Conveyor
B	Center Drive Module
C	Gearmotor Mounting Package
D	Mounting Brackets
E	Support Stands
F	Speed Controller
G	Fixed End
H	Tension End

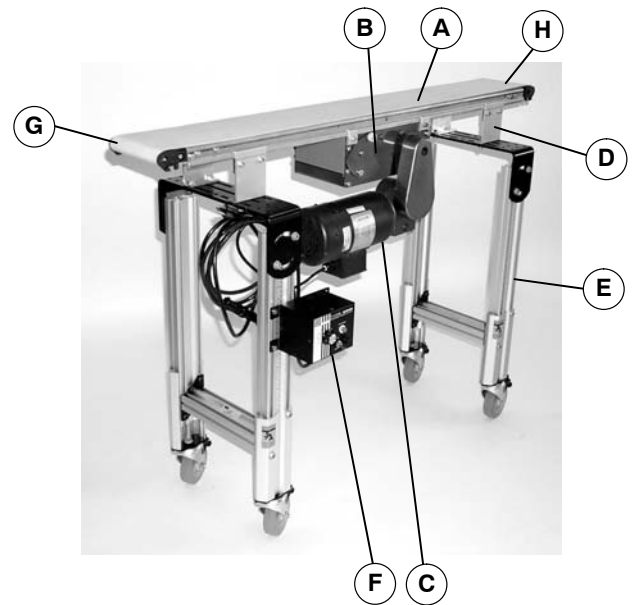


Figure 1

Specifications

Models:

6200 Series Industrial Center Drive Conveyor

6 D B M WW LLLL P GG BB

- 6 = Center drive
 - D = Document Language, M = English
 - B = Conveyor Width Reference
 - M = Conveyor Length Reference
 - WW = Output Shaft Position*
 - LLLL = Conveyor Profile*
 - P = Belt Type*
 - GG = End wiper - with mounting bracket
 - BB = End wiper - no mounting bracket
- 1 = No wiper - with mounting bracket
 2 = No wiper - no mounting bracket
 3 = End wiper - with mounting bracket
 4 = End wiper - no mounting bracket
 5 = Dual wiper - with mounting bracket
 6 = Dual wiper - no mounting Bracket

* See "Ordering and Specifications" Catalog for details.

Conveyor Supports:

Maximum Distances:

I = 18" (457 mm)

J = 6 ft (1829 mm)**

** For conveyors longer than 12 ft (3658 mm), install support at joint.

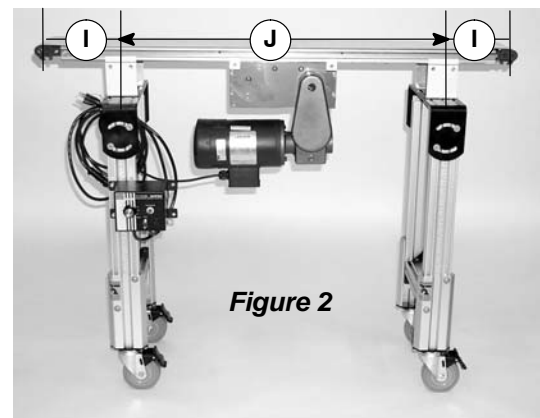


Figure 2

Specifications

Specifications:

Conveyor Width Reference (WW)	02	03	04	05	06	08	10	12	18
Conveyor Belt Width	1.75" (44 mm)	2.75" (70 mm)	3.75" (95 mm)	5" (127 mm)	6" (152 mm)	8" (203 mm)	10" (254 mm)	12" (305 mm)	18" (457mm)
Maximum Conveyor Load* (See NOTE Below)	40 lb (18 kg)	50 lb (23 kg)	60 lb (27 kg)	75 lb (34 kg)	90 lb (41 kg)	105 lb (47 kg)	120 lb (54 kg)	120 lb (54 kg)	120 lb (54kg)
Conveyor Start-up Torque*	9 in-lb (1.0 Nm)	10 in-lb (1.1 Nm)	11 in-lb (1.2 Nm)	12 in-lb (1.4 Nm)	15 in-lb (1.7 Nm)	20 in-lb (2.3 Nm)	23 in-lb (2.6 Nm)	25 in-lb (2.8 Nm)	30 in-lb (8.4Nm)
Belt Travel	3.5" (88 mm) per revolution of pulley								
Maximum Belt Speed*	235 feet/minute (72 meters/minute)								
Belt Take-up	1" (25 mm) of stroke = 2" (51 mm) of belt take-up								

Conveyor Length Reference (LL)	02	03	04	05	06	07	08	09	10	11	12	13**	14**	15**	16**	17**	18**	19**	20**	21**	22**	23**	24**
Conveyor Length	2-ft (610 mm)	3-ft (914 mm)	4-ft (1219 mm)	5-ft (1524 mm)	6-ft (1829 mm)	7-ft (2134 mm)	8-ft (2438 mm)	9-ft (2743 mm)	10-ft (3048 mm)	11-ft (3353 mm)	12-ft (3658 mm)	13-ft (3962 mm)	14-ft (4267 mm)	15-ft (4572 mm)	16-ft (4877 mm)	17-ft (5182 mm)	18-ft (5486 mm)	19-ft (5791 mm)	20-ft (6096 mm)	21-ft (6401 mm)	22-ft (6706 mm)	23-ft (7010 mm)	24-ft (7315 mm)

* See "Ordering and Specifications" Catalog for details.

** Lengths available only in 6" (152 mm) & wider conveyors.

NOTE: Maximum conveyor loads are based on:

- Non-accumulating product
- Product moving towards gearmotor
- Conveyor being mounted horizontal
- Conveyor being located in a dry environment
- Conveyor with standard belt only

NOTE: Conveyor **MUST** be mounted straight, flat and level within confines of conveyor. Use a level (K of Figure 3) for set-up.

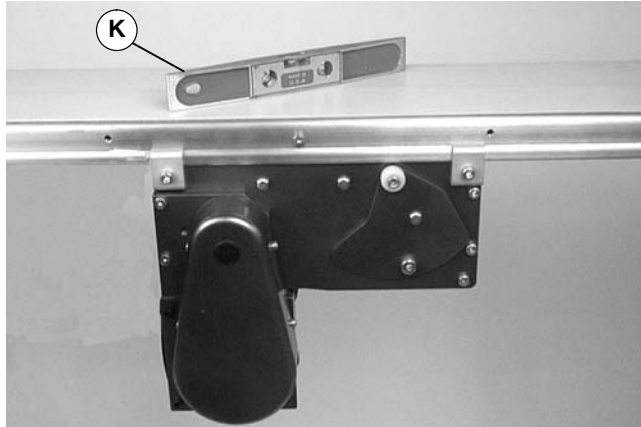


Figure 3

Required Tools

- Hex key wrenches: 4 mm, 5 mm
- 10 mm open-end wrench
- Level
- Torque wrench

Recommended Installation Sequence (see Table of Contents for page number)

- Assemble conveyor (if required)
- Attach mounting brackets (see page 6)
- Attach return roller to conveyor (see page 6)
- Assemble stands (see accessory instructions)
- Attach conveyor to stands
- Mount gearmotor mounting package (see accessory instructions)
- Attach guides/accessories (see “Service Parts” section, pages 20 through 32)

Conveyors Up to 12 ft (3658 mm)

No additional assembly is required.

Conveyors Longer Than 12 ft (3658 mm)

Illustration References

L	Conveyor frame without belt
M	M6 x 10 mm Low-Head Screws (6x) (shipped loose)
N	Connector Strips (2x) (Attached to conveyor section)
O	Conveyor frame with belt

1. Typical components (Figure 4)

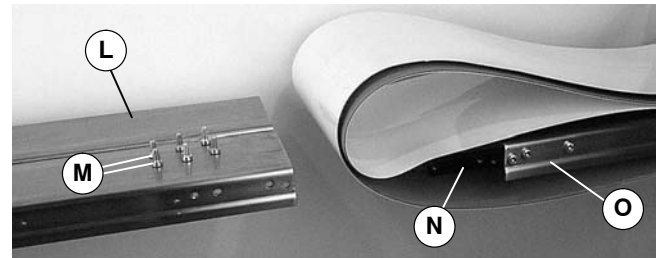


Figure 4

2. Compress tension end (Figure 5). Refer to steps 6 and 7 under the “Belt Removal for Conveyor Without Gearmotor Mounting Package or Stands” on page 9.

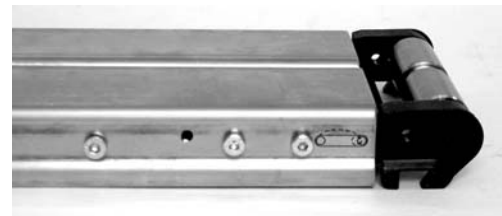


Figure 5

3. Roll out conveyor belt.

4. Place conveyor frame (L of Figure 6) into belt loop.

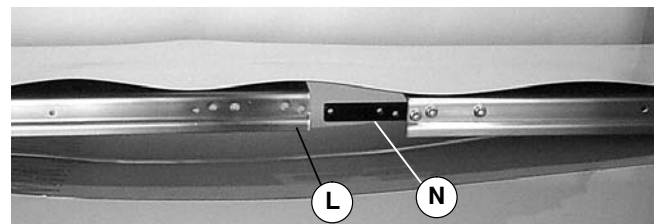


Figure 6

5. Join conveyor sections (L and O of Figure 7). Install screws (M) through frame and into connector bar (N) on both sides. Tighten screws to 60 in-lb (7 Nm).

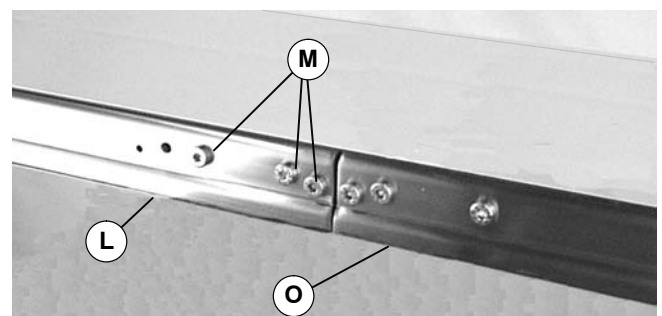


Figure 7

6. Tension conveyor belt. Refer to “Conveyor Belt Tensioning” on page 14.

Installation

Mounting Brackets

1. Typical mounting bracket components (Figure 8)

Mounting Bracket Components (One Pair)

P	M6 x 12 mm Socket Head Screws (4x)
Q	M6 x 20 mm Socket Head Screw (4x)
R	Hard Washer (4x)
S	M6 Square Nut (4x)
T	Stand Mounting Bracket (2x)
U	Mounting Plate, Flat Belt (2x)

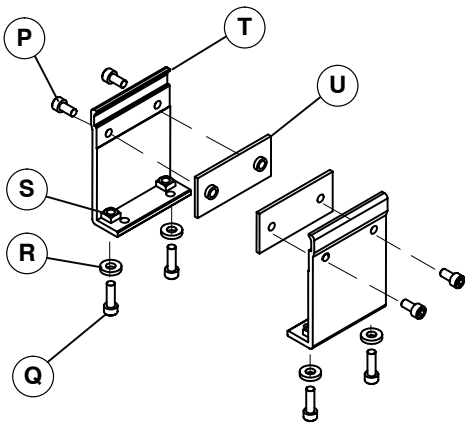


Figure 8

2. Attach clamp plate (U of Figure 8) to stand mounting bracket (T) with two screws (P). Do not tighten screws.

3. Attach stand mounting bracket (T of Figure 9) to bottom of conveyor (V). Snug-up screws (P).

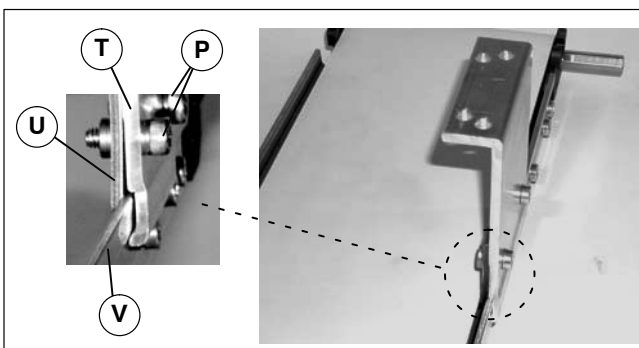


Figure 9

4. Repeat steps 2 and 3 for other stand mounting bracket(s).

5. Position conveyor (V of Figure 10) on stands (W) .

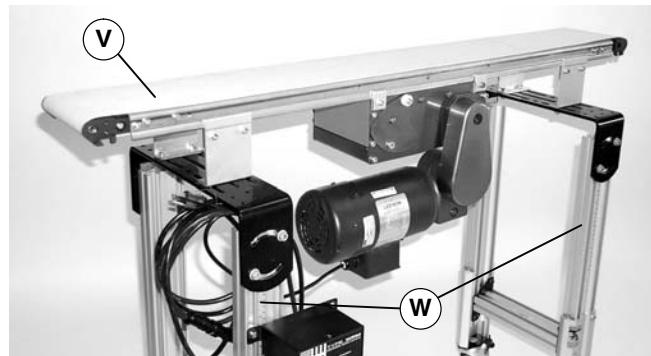


Figure 10

6. Attach stand mounting bracket (T of Figure 11) to stand (W) with two screws (Q), hard washers (R) and square nuts (S). Tighten screws (Q) to 80 in-lb (9 Nm).

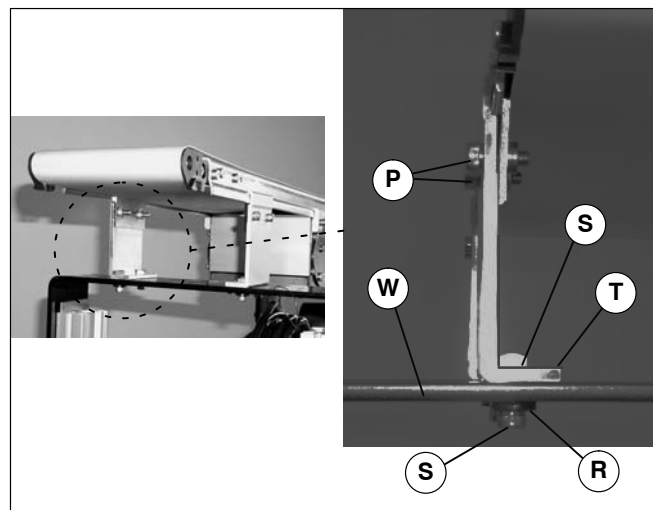


Figure 11

7. Repeat step 6 for other stand mounting bracket(s).

8. Tighten all screws (P) to 80 in-lb (9 Nm).

Return Rollers

2" (51mm) Through 6" (152mm) Wide Conveyor

1. Typical return roller components (Figure 12)

Typical Components	
X	Return Roller Guard
Y	Return Roller Clip
Z	Low-Head Cap Screw M6-1.00 x 20mm (2)

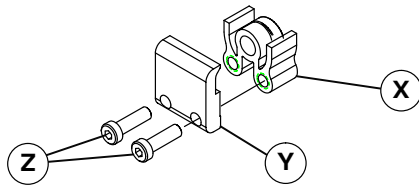


Figure 12

2. Loosely attach clip (Y of Figure 13) on guard (X) with two screws (Z). Do not tighten screws.

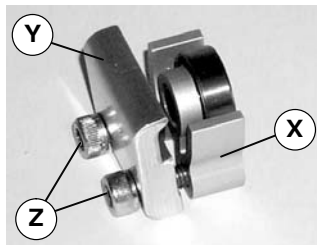


Figure 13

3. Attach return roller assembly (AA of Figure 14) on each side of conveyor (V). Tighten screws (Z) to 80 in-lb (9 Nm).

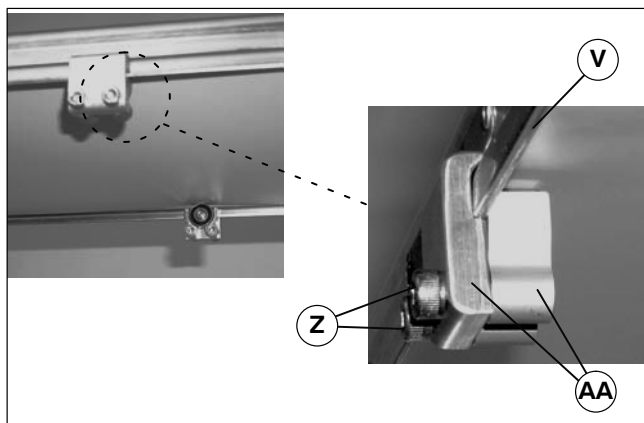


Figure 14

8" (203mm) Through 18" (457mm) Wide Conveyor

1. Typical return roller components (Figure 15)

Typical Components	
AB	Return Roller and Guard Assembly
AC	Return Roller Clip (2x)
AD	Low-Head Cap Screw M6-1.00 x 20mm (4x)

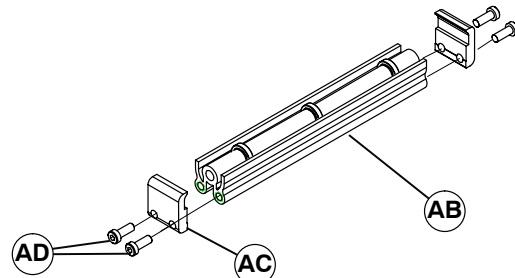


Figure 15

2. Loosely attach two clips (AC of Figure 16) on roller and guard assembly (AB) with four screws (AD). Do not tighten screws.

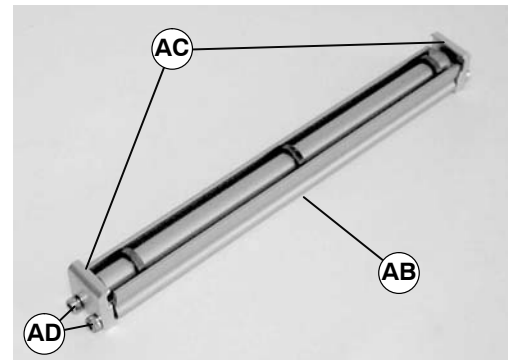


Figure 16

3. Attach return roller assembly (AE of Figure 17) on conveyor (V). Tighten screws (AD of Figure 16) to 80 in-lb (9 Nm).



Figure 17

4. On 16-18 ft (4877-5486 mm) conveyor, repeat step 3 for other return roller.

Preventive Maintenance and Adjustment

Required Tools

Standard Tools

- Hex key wrenches:
3 mm, 4 mm, 5 mm, 6 mm and 3/16"
- 3/8" Open-end wrench or an adjustable wrench
- Arbor press

Special Tools

- 450281 Sealed Bearing Removal Tool
- 450282 Sealed Bearing Installation Tool

Checklist

- Keep service parts on hand (see "Service Parts" section for recommendations)
- Keep supply of belt cleaner (part # 625619)
- Clean entire conveyor and knurled pulley while disassembled
- Replace worn or damaged parts

Lubrication

Conveyor

No lubrication is required. Replace bearings if worn.

Return Rollers

No lubrication is required. Replace bearings if worn.

Maintaining Conveyor Belt

Troubleshooting

Inspect conveyor belt for:

- Surface cuts or wear
- Stalling or slipping
- Damage to V-guide

Surface cuts and wear indicate:

- Sharp or heavy parts impacting belt
- Jammed parts
- Improperly installed bottom wiper(s)
- Accumulated dirt in wiper(s)
- Foreign material inside the conveyor
- Improperly positioned accessories
- Bolt-on guiding is pinching belt

Stalling or slipping indicates:

- Excessive load on belt
- Conveyor belt or drive timing belt are not properly tensioned
- Worn knurl or impacted dirt on drive pulley
- Intermittent jamming or drive train problems

Damage to V-guide indicates:

- Twisted or damaged conveyor frame
- Dirt impacted on pulleys
- Excessive or improper side loading

NOTE: Visit www.dorner.com for complete list of troubleshooting solutions.

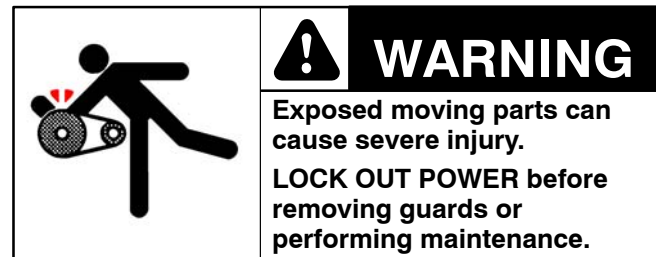
Cleaning

IMPORTANT: Do not use belt cleaners that contain alcohol, acetone, Methyl Ethyl Ketone (MEK) or other harsh chemicals.

Use Dorner Belt Cleaner (part # 625619). Mild soap and water may also be used. Do not soak the belt.

For /05 woven polyester and /06 black anti-static belts, use a bristled brush to improve cleaning.

Conveyor Belt Replacement



Conveyor Belt Replacement Sequence (see Table of Contents for page number)

- Remove old conveyor belt:
 - Conveyor without Gearmotor Mounting Package or Stands
 - Conveyor with Stands and/or Gearmotor Mounting Package
- Center Drive Module Removal
- Conveyor Belt Removal from Center Drive Module
- Install New Conveyor Belt
- Tension Conveyor Belt

Preventive Maintenance and Adjustment

Belt Removal for Conveyor Without Gearmotor Mounting Package or Stands

1. If installed, loosen two set screws (AF of Figure 18) to remove and retain bottom wiper(s) (AG).

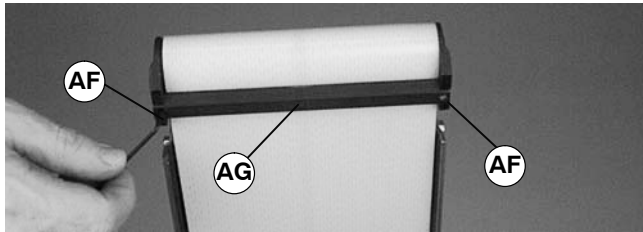


Figure 18

2. If conveyor is equipped with guiding and accessories and/or return rollers, remove them from one side.
3. Loosen screw (AI of Figures 19 & 20) on each side of center drive module (AJ).

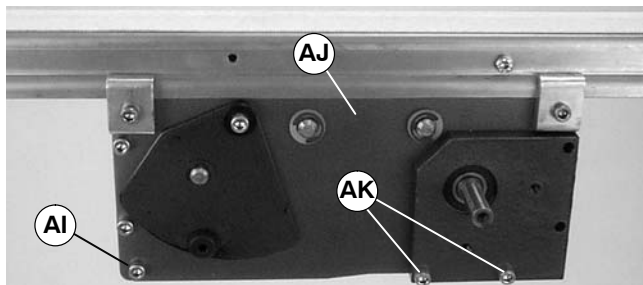


Figure 19

4. Remove screws (AK of Figures 19 & 20) on each side of center drive module (AJ).
5. Using finger grip holes (AL of Figure 20), open tension door (AM) to release conveyor belt tension.

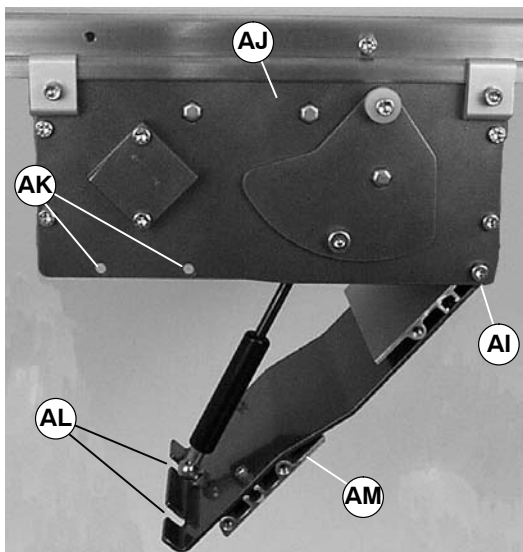
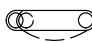


Figure 20

6. On tension end of the conveyor identified with a  label (AN of Figures 21 and 22), loosen two M6 socket head cap screws (AO) on each side of conveyor.

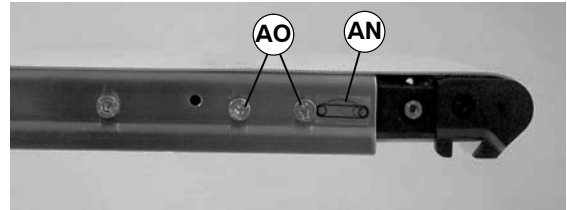


Figure 21

7. Retract idler spindle assembly (AP of Figure 22) by pushing in on it or by turning M6 pinion screw (AQ of Figures 22 and 23) clockwise.

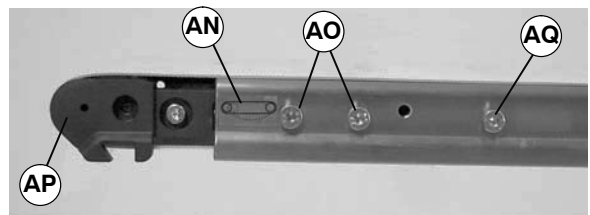


Figure 22

NOTE: On 4-foot (1219 mm) and shorter by 8" (203 mm) and wider conveyors, the center drive module and the conveyor belt must be removed at the same time. See "Center Drive Module Removal" on page 11.

8. Remove conveyor belt (AR of Figure 23) from both ends of conveyor.

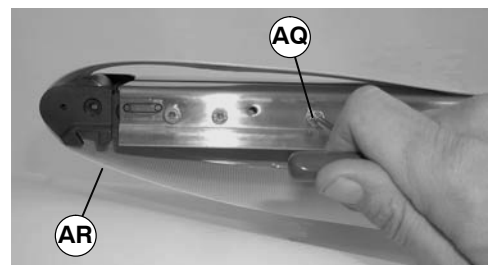


Figure 23

9. Proceed to "Center Drive Module Removal" on page 11.

Preventive Maintenance and Adjustment

Belt Removal for Conveyor With Stands and/or Gearmotor Mounting Package

1. If installed, loosen two set screws (AF of Figure 18) to remove and retain bottom wiper(s) (AG).
2. If conveyor is equipped with guiding and accessories and/or return rollers, remove them from one side.

NOTE: Figures 24 & 25 show a vertical mount in the A1 position with a parallel shaft gearmotor. Horizontal mount, D1 position and/or 90° gearmotor mounting is similar.

3. Remove four (4) screws (AS of Figure 24) and remove cover (AT).

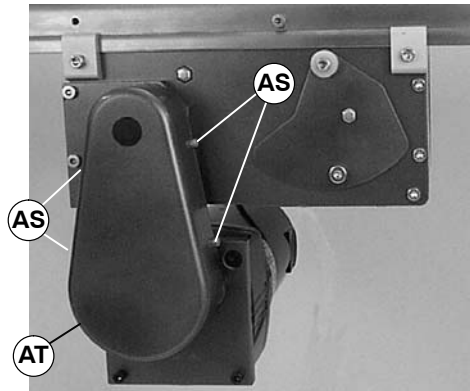


Figure 24

4. Loosen tensioner (AU of Figure 25) to release tension on timing belt (AV).

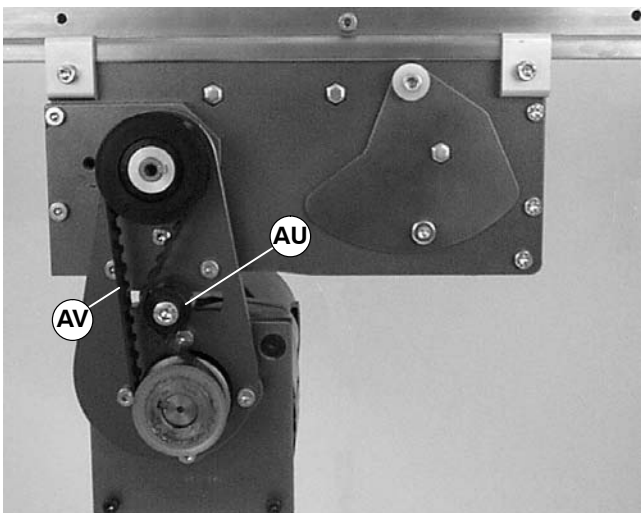


Figure 25

NOTE: If timing belt (AV) does not slide over pulley flange, loosen driven pulley set screws (AW of Figure 26) and remove pulley (AX) with belt.

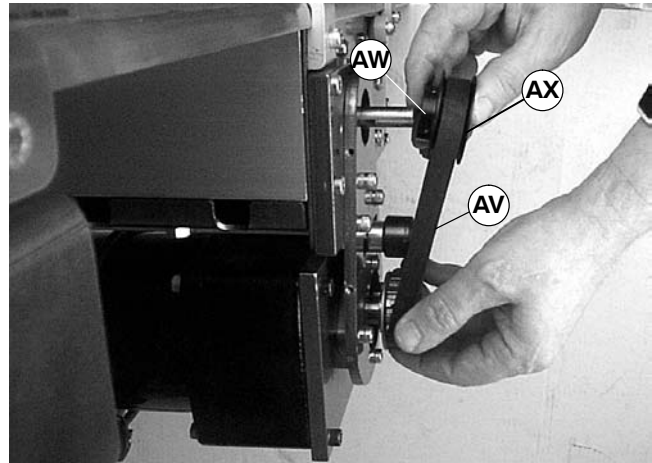


Figure 26

5. Remove timing belt (AV of Figure 25).
6. Remove three (3) screws (AY of Figure 27) and remove gearmotor mounting package.

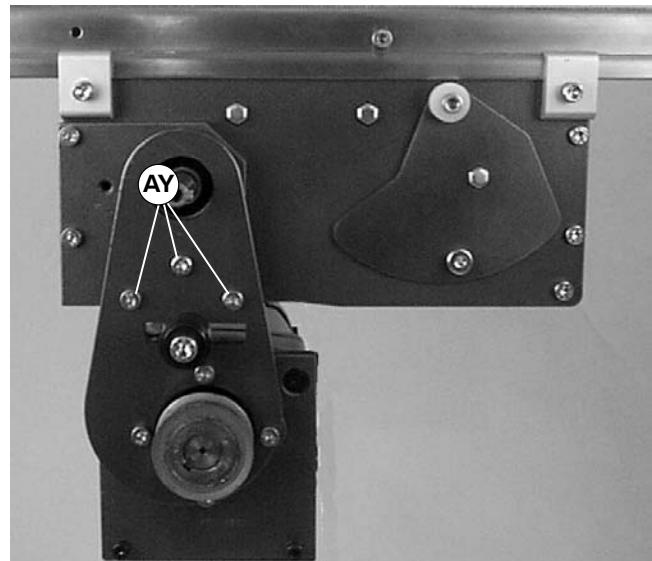


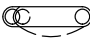
Figure 27

7. Loosen screw (AI of Figures 19 & 20) on each side of center drive module (AJ).

NOTE: With a vertical mount, two (2) screws (AY of Figure 27) were removed in step 6.

8. Remove screws (AK of Figures 19 & 20) on each side of center drive module (AJ).
9. Using finger grip holes (AL of Figure 20), open tension door (AM) to release conveyor belt tension.

Preventive Maintenance and Adjustment

10. On tension end of the conveyor identified with a  label (AN of Figures 21 and 22), loosen two M6 socket head cap screws (AO) on each side of conveyor.
11. Retract idler spindle assembly (AP of Figure 22) by pushing in on it or by turning M6 pinion screw (AQ of Figures 22 and 23) clockwise.



WARNING



To prevent injury from the support stand tipping-over when conveyor is uncoupled, anchor stand to floor or otherwise stabilize the stand.

NOTE: On 4-foot (1219 mm) and shorter by 8" (203 mm) and wider conveyors, the center drive module and the conveyor belt must be removed at the same time. See "Center Drive Module Removal" on page 11.

12. Loosen two mounting plate screws (P of Figure 28). Remove two screws, hard washers and square nuts (AZ). Slide stand mounting bracket (T) off stand (W) and remove from conveyor (V).

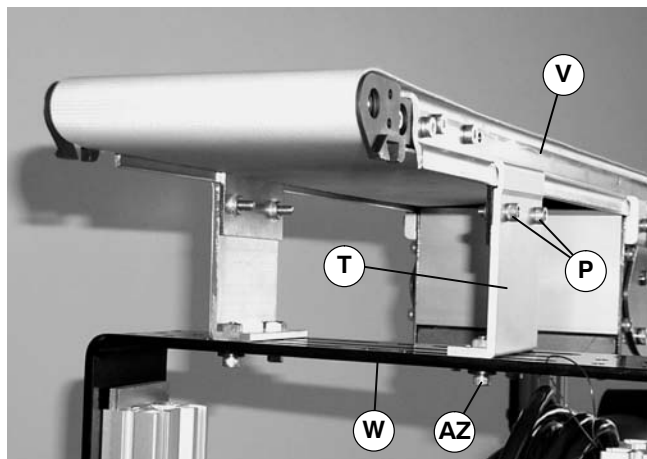


Figure 28

13. Repeat step 12 for remaining stand mounting brackets on same side of conveyor between conveyor tail and center drive module.
14. Remove conveyor belt (AR of Figure 29) from conveyor end.

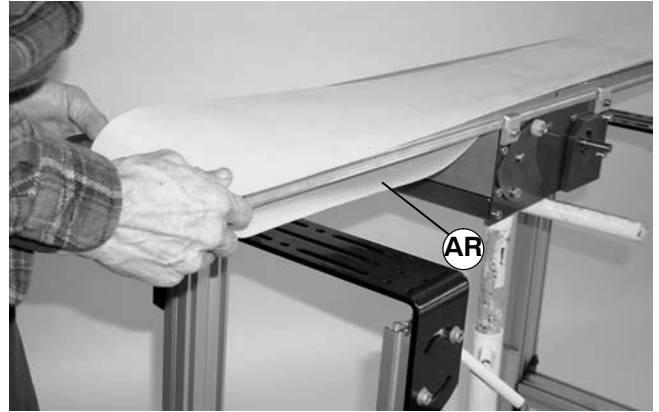


Figure 29

15. After belt is removed, secure conveyor with mounting plate(s) and stand mounting bracket(s) (T of Figure 28) and mounting hardware (AZ).
16. Repeat steps 12 through 15 for other end of conveyor.
17. Proceed to "Center Drive Module Removal".

Center Drive Module Removal



WARNING



Before loosening clamps (BA of Figure 30), provide a support (BB) under center drive module.

NOTE: If desired, mark center drive module location on conveyor.

1. Loosen clamp screw (BA of Figure 30) in each corner of module.

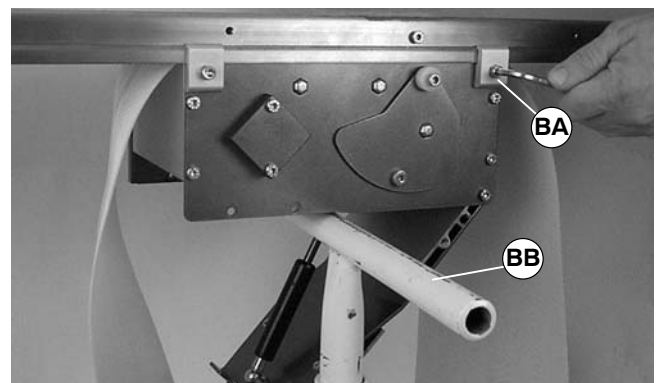


Figure 30

2. Remove module.

Preventive Maintenance and Adjustment

Belt Removal from Center Drive Module

1. Remove two (2) screws (BC of Figure 31). Remove tension drive plate (BD).

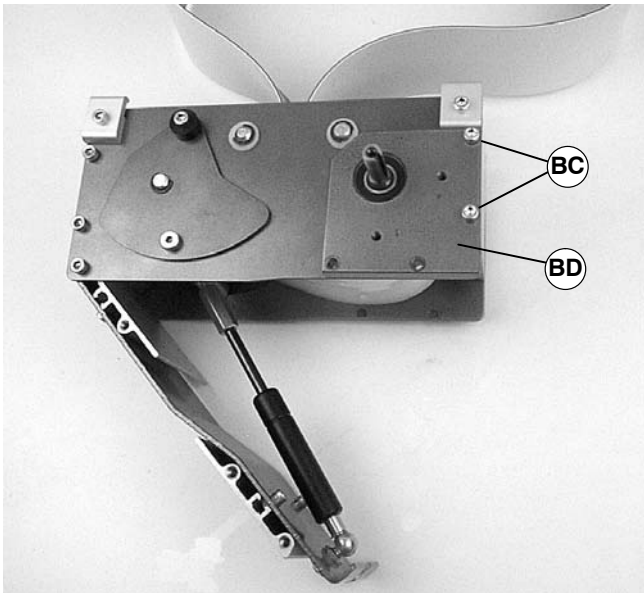


Figure 31

2. Remove drive pulley [BE of Figure 32, for 2" (44 mm), 3" (70 mm) or 4" (95 mm) wide conveyor] or [BE of Figure 33, for 5" (127 mm) or wider conveyor].

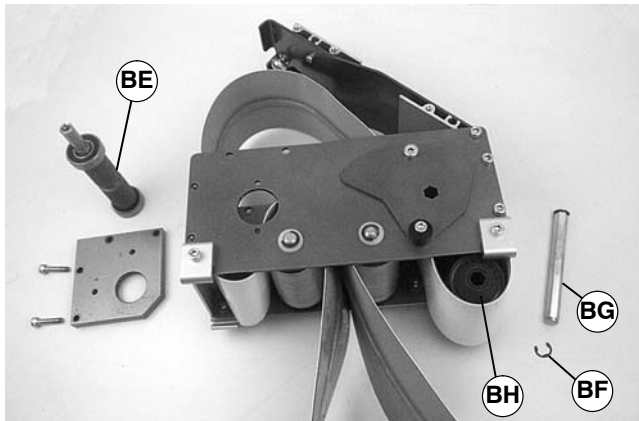


Figure 32

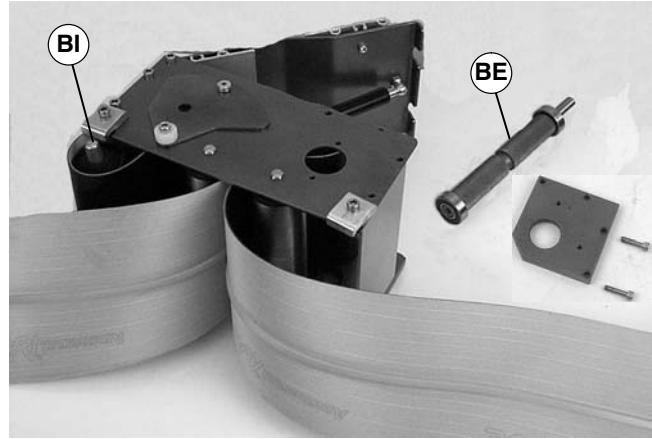


Figure 33

3. Remove grooved idler pulley:
 - For 2" (44 mm), 3" (70 mm) or 4" (95 mm) wide conveyor, remove E-ring clip (BF of Figure 32). Remove pulley shaft (BG) and remove pulley (BH).
 - For 5" (127 mm) or wider conveyor, depress both sides of spring-loaded shaft and remove pulley (BI of Figure 33).
4. Remove conveyor belt.

Installing a New Conveyor Belt

IMPORTANT: Belt travel direction is identified by an arrow decal on the side of the conveyor (BJ of Figures 34 & 35).

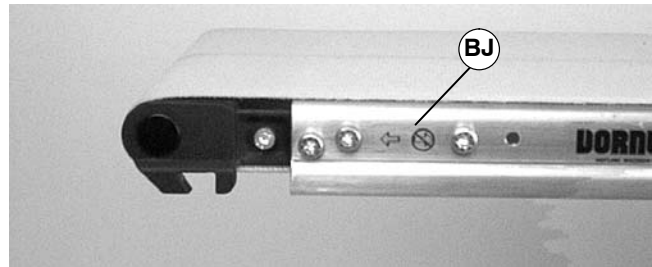


Figure 34

Preventive Maintenance and Adjustment

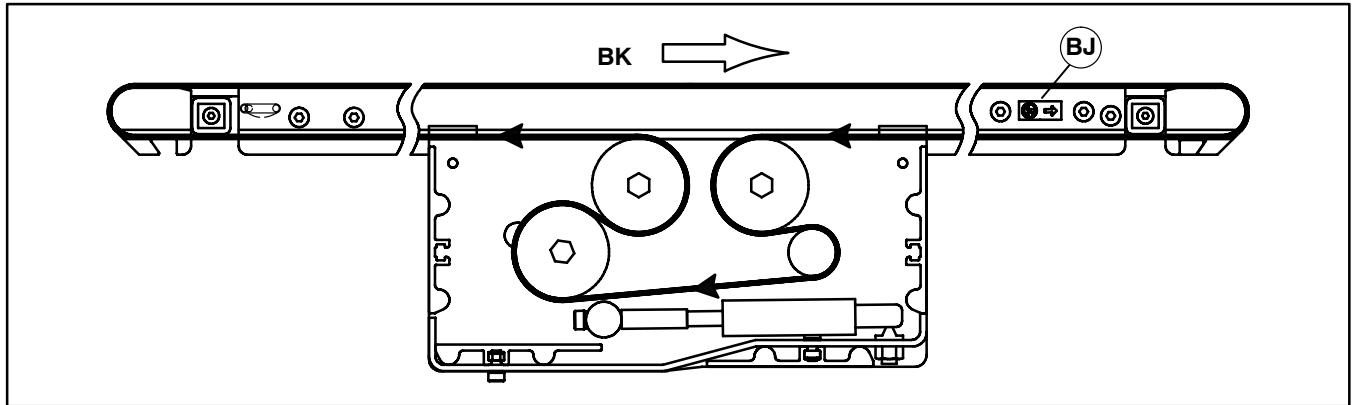


Figure 35

1. Orient the conveyor belt so that the splice leading fingers (BL of Figure 36) point in the direction of belt travel (BK) as identified by the label (BJ of Figures 34 and 35).

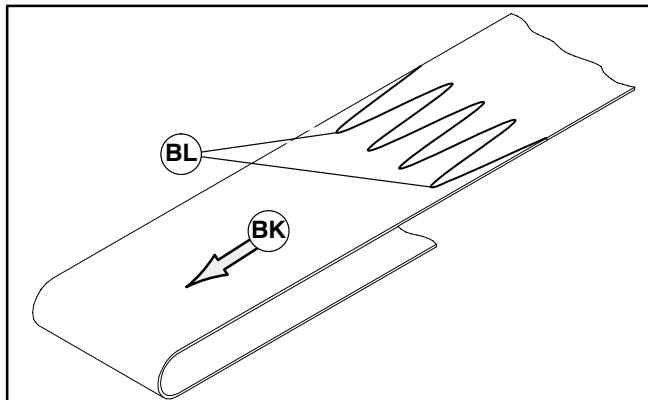


Figure 36

2. Place loop of belt into module (Figure 37).

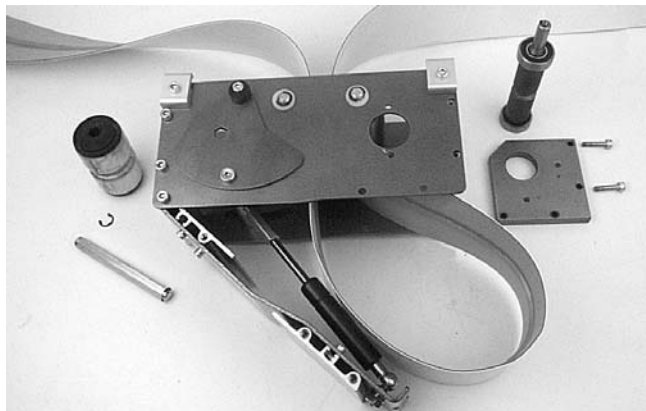


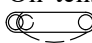
Figure 37

3. Place grooved idler pulley (BH of Figure 32 or BI of Figure 33) into belt loop and replace in center drive

module. Refer to step 3 under “Belt Removal from Center Drive Module” on page 12.

4. Place drive pulley (BE of Figure 32 or 33) into belt loop and install in center drive module. Refer to “Belt Removal from Center Drive Module” section and reverse steps 1 and 2 on page 12. Tighten screws (BC of Figure 31) to 80 in-lb (9 Nm).

NOTE: On 4-foot (1219 mm) and shorter by 8” (203 mm) and wider conveyors, the center drive module and the conveyor belt must be installed at the same time.

5. Install center drive module onto conveyor and secure with clamp and clamp screw (BA of Figure 30) in each corner. Tighten screws to 80 in-lb (9 Nm).
6. Loosen two mounting plate screws (P of Figure 28). Remove two screws, hard washers and square nuts (AZ). Slide stand mounting bracket (T) off stand (W) and remove from conveyor (V).
7. Repeat step 6 for remaining stand mounting brackets on same side of conveyor between conveyor tail and center drive module.
8. Install conveyor belt (AR of Figure 29) on conveyor end.
9. Tighten all mounting bracket screws to 80 in-lb (9 Nm).
10. Repeat steps 6 through 9 for other end of conveyor.
11. On tension end of the conveyor identified with a  label (AN of Figures 21 and 22), loosen four M6 low head screws (AO).

Preventive Maintenance and Adjustment

NOTE: The M6 low head screw (BM of Figure 38), which is used for extending the idler spindle assembly (AP) 1" (25 mm) (BN).

- Turn M6 low head screw (BM of Figure 38) clockwise to extend idler spindle assembly (AP) 1" (25 mm) (BN).

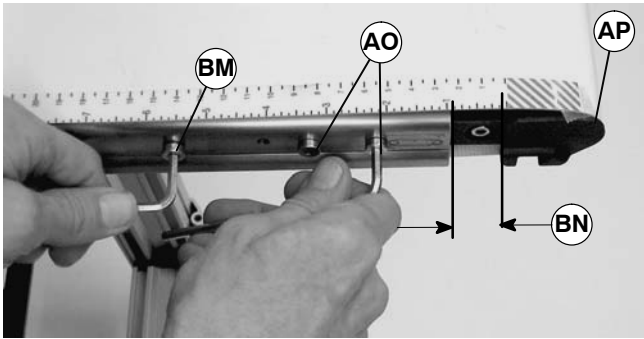


Figure 38

- Tighten four M6 low head screws (AO of Figures 21 and 38) to 40 in-lb (4.5 Nm) to secure idler spindle assembly (AP).

	WARNING
	<p>Tension door closes quickly and may cause injury. KEEP FINGERS CLEAR OF TENSION DOOR.</p>

- Close tension door (AM of Figure 39).

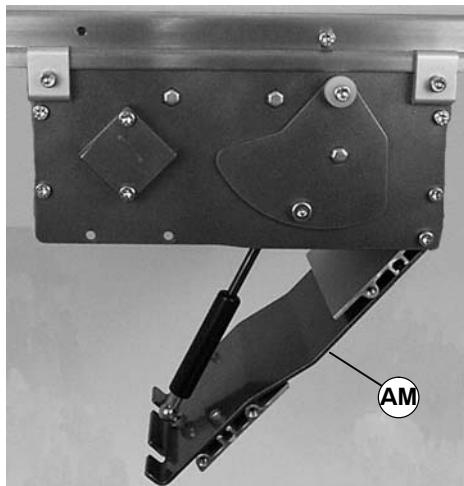


Figure 39

- Tighten screw (AI of Figures 40) on each side of center drive module (AJ) to 80 in-lb (9 Nm).

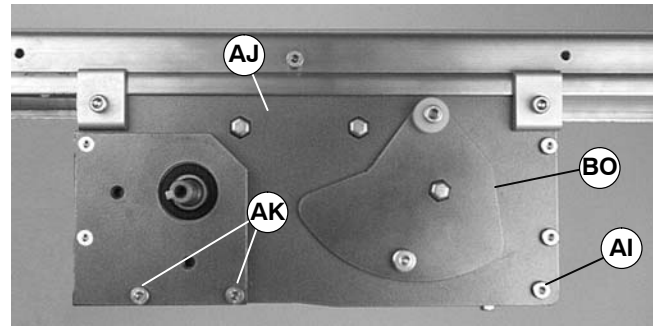


Figure 40

NOTE: If equipped with gearmotor mounting package, install by completing in reverse order steps 3 through 6 of "Belt Removal for Conveyor With Stands and/or Gearmotor Mounting Package" section on page 10.

- Install screws (AK of Figure 40) on each side of center drive module (AJ). Tighten screws to 80 in-lb (9 Nm).
- If removed, install bottom wiper(s) (AH of Figure 18). Center set screws in frame and tighten to 33 in-lb (3.7 Nm).
- Where applicable, install return rollers, guiding and accessories.

Conveyor Belt Tensioning

NOTE: For a new belt, the tension plate will be in position (BO of Figure 40). When tension plate extends to position (BP of Figure 41), the conveyor belt must be replaced.



Figure 41

Conveyor is equipped with automatic tensioning cylinder. No tensioning adjustment is required.

Preventive Maintenance and Adjustment

Pulley Removal



Remove conveyor belt to access pulley(s).

- Refer to “Belt Removal for Conveyor Without Gearmotor Mounting Package or Stands” section, steps 1 through 8 on page 9.
- Refer to “Belt Removal for Conveyor With Stands and/or Gearmotor Mounting Package” section, steps 1 through 16 on pages 10 and 11.

Remove the desired pulley following instructions:

- **A** – Tension End Pulley
- **B** – Fixed End Pulley
- **C** – Drive Pulley
- **D** – Idler Pulleys

A – Tension End Pulley Removal

1. Remove two screws (AO of Figure 42) on each side of conveyor (V).

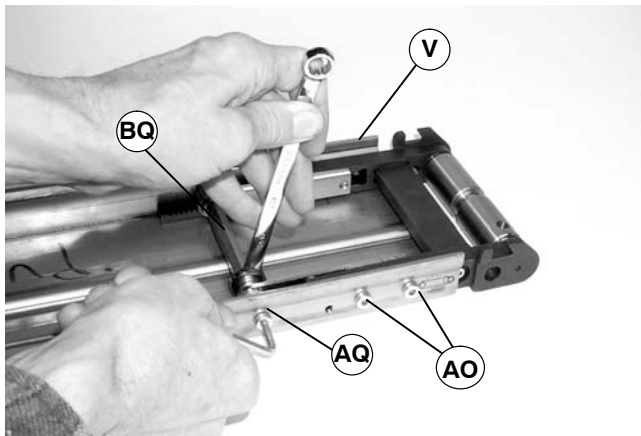


Figure 42

2. While holding hex pin (BQ) with a 3/8” open-end wrench, loosen screw (AQ).
3. Remove screw (AQ of Figure 43) and sleeve (BR) from conveyor (V) and hex pin (BQ).

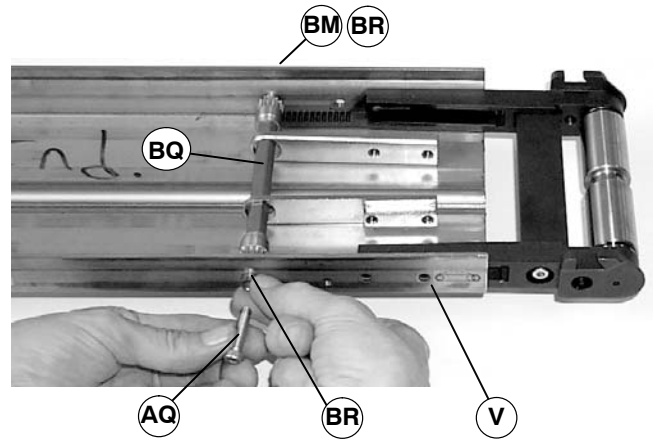


Figure 43

4. Repeat steps 2 and 3 for screw (BM of Figures 38 and 43) on opposite of conveyor (V).
5. Remove two pinion ends (BT of Figure 44), clamp blocks (BU), hex pin (BQ) and tail assembly (BS) from conveyor (V).

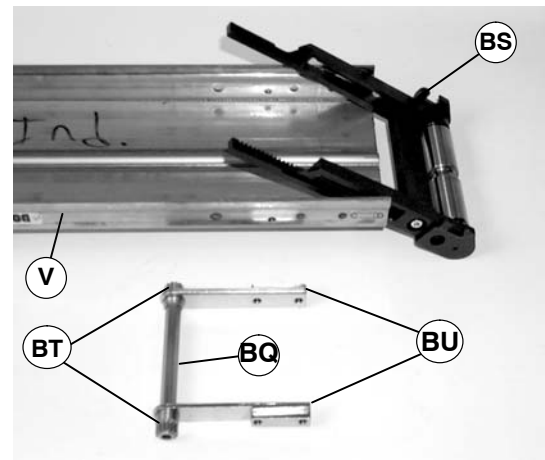


Figure 44

NOTE: Note on which side of conveyor magnet (BV of Figure 45) is located.

6. Locate magnet (BV of Figure 45) on spindle and bearing assembly (BW).

Preventive Maintenance and Adjustment

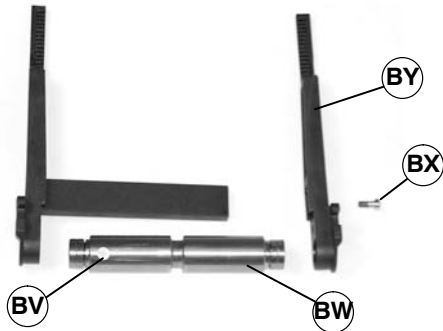


Figure 45

7. Remove screw (BX), headplate (BY), and spindle and bearing assembly (BW).

B – Fixed End Pulley Removal

1. Remove three (3) screws (BZ of Figure 46) on both sides of conveyor.

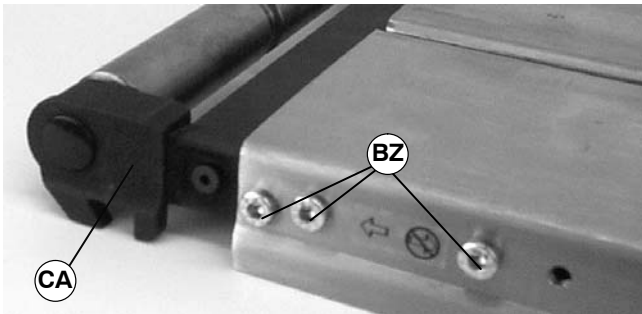


Figure 46

2. Remove fixed end tail assembly (CA).

NOTE: Note on which side of conveyor magnet (CB of Figure 47) is located.

3. Locate magnet (CB of Figure 47) on spindle and bearing assembly (CC).
4. Remove screw (CD) to separate head plate (CE) from spindle and bearing assembly.

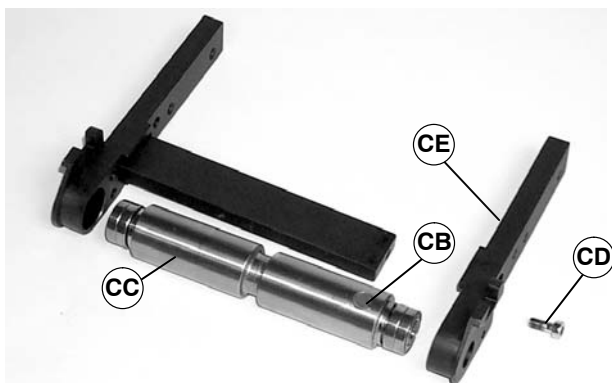


Figure 47

C – Drive Pulley Removal

1. Remove gearmotor drive package. Refer to “Belt Removal for Conveyor With Stands and/or Gearmotor Mounting Package” section, steps 3 through 9 on page 10.
2. Remove drive pulley. Refer to “Belt Removal from Center Drive Module” section, steps 1 and 2 on page 12.

D – Idler Pulley Removal

1. Remove gearmotor drive package. Refer to “Belt Removal for Conveyor With Stands and/or Gearmotor Mounting Package” section, steps 3 through 9 on page 10.
2. Detach center drive module. Refer to “Center Drive Module Removal” section on page 11.
3. Remove grooved idler pulley. Refer to “Belt Removal from Center Drive Module” section, step 3 on page 12.
4. Remove smooth idler pulleys:
 - For 2" (44 mm), 3" (70 mm) or 4" (95 mm) wide conveyor, detach E-ring clips (CF of Figure 48). Remove washers (CG). Remove pulley shafts (CH) and two pulleys (CI).

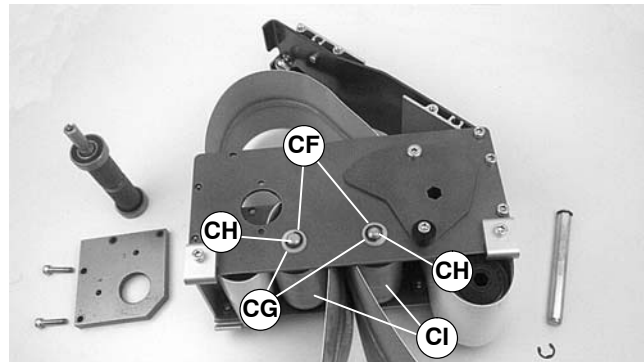


Figure 48

- For 5" (127 mm) or wider conveyor, depress both sides of each spring-loaded shaft (CJ of Figure 49). Remove pulleys (CK).

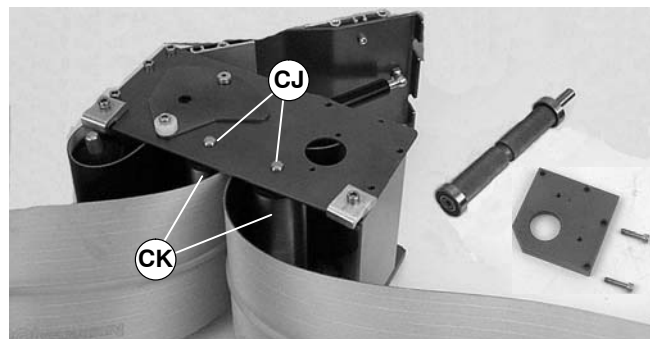


Figure 49

Preventive Maintenance and Adjustment

Bearing Replacement for Tension End and Fixed End Pulleys

IMPORTANT: Once removed, do not re-use bearings.

Bearing Removal

1. Place bearing removal tool (part # 450281) (CL of Figure 50) over bearing (CM) with lip (CN) located in gap (CO) between bearing and spindle (CP) as shown.

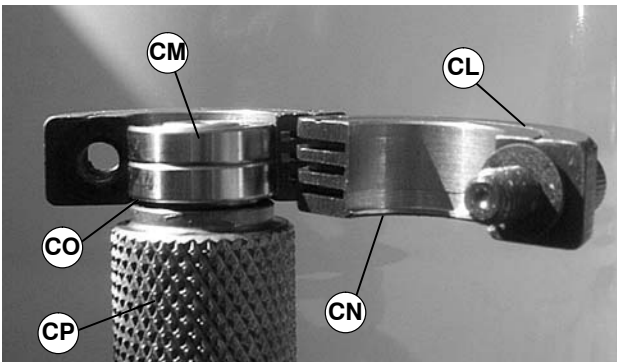


Figure 50

2. Using a 3/16" hex key wrench (CQ of Figure 51), tighten bearing removal tool.



Figure 51

3. Using a puller (CR of Figure 52), remove and discard bearing(s).

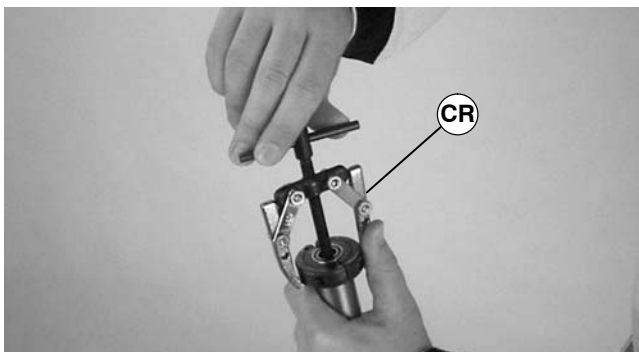


Figure 52

Bearing Installation

IMPORTANT: Install bearings one at a time.

1. Inspect seating surface(s) on spindle shaft for damage. Replace spindle if damaged.
2. Slide bearing (part # 802-121) (CS of Figure 53) onto spindle shaft.



Figure 53

3. Slide the sleeve of tool (part # 450282) (CT of Figure 54) over bearing.



Figure 54

4. Place open end of shaft (CU of Figure 55) into sleeve.

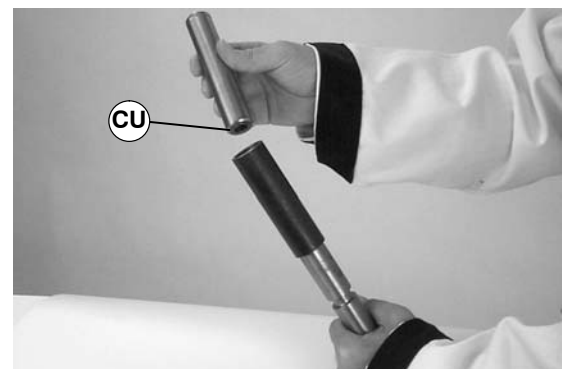


Figure 55

Preventive Maintenance and Adjustment

- Using arbor press or similar device, press bearing onto pulley shaft (see Figure 56).

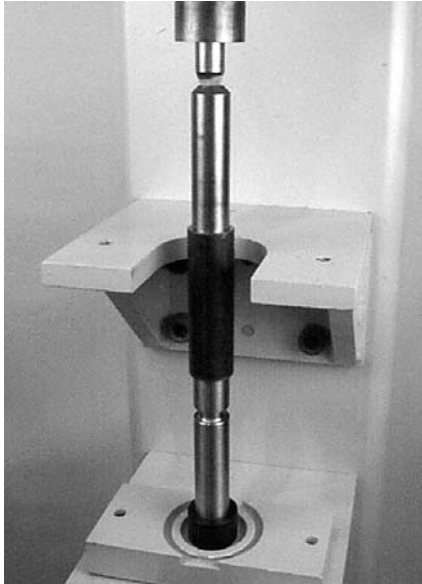


Figure 56

- Repeat steps 2 through 5 for each bearing.

Bearing Replacement for Drive Pulley

IMPORTANT: Once removed, do not re-use bearings.

Bearing Removal

- Position drive pulley (BE of Figure 57) in a standard bearing separator (CV) as shown.

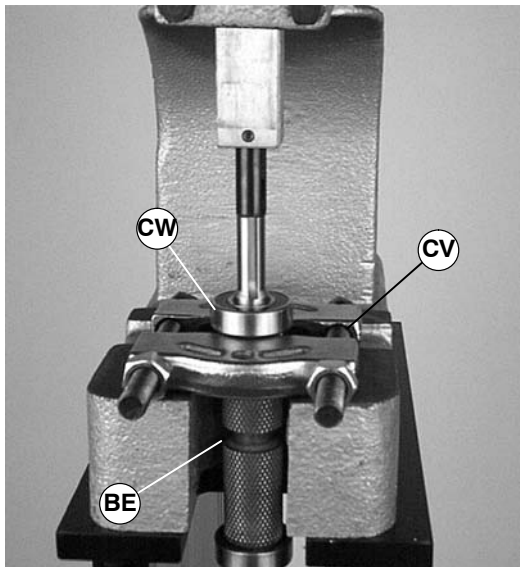


Figure 57

- Using an arbor press or similar device, press drive pulley (BE) through bearing (CW).
- Repeat steps 1 through 2 for other bearing.

Bearing Installation

- Inspect seating surface(s) on drive pulley for damage. Replace drive pulley if damaged.
- Slide bearing (CW) (part # 802-124) over drive pulley (BE). Place two 5/8 flat washers (CX of Figure 58), or equivalent, over the drive pulley (BE) and against the bearing.

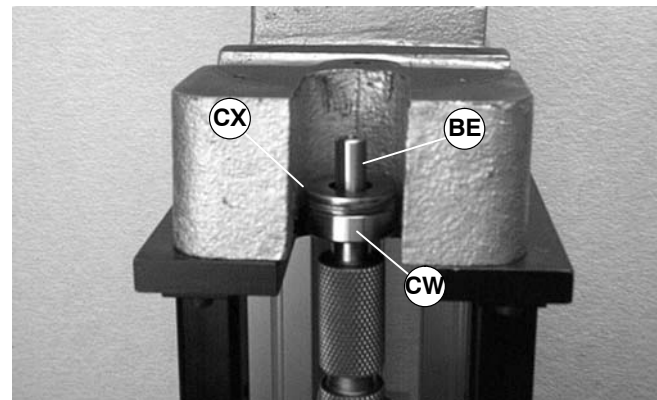


Figure 58

- Place the shaft of tool (part # 450282) (CZ of Figure 59) over drive pulley (BE).

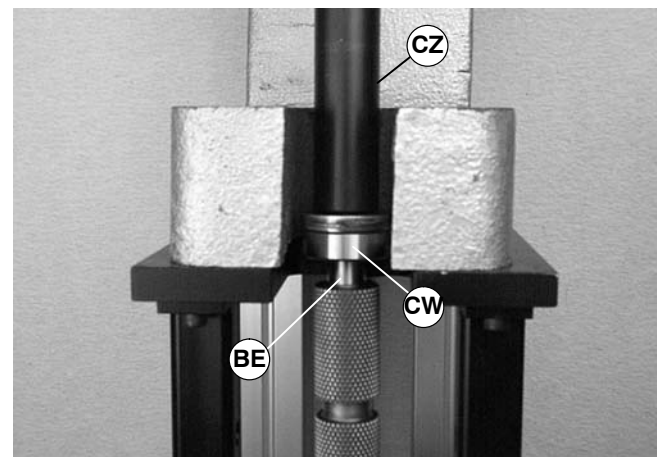


Figure 59

- Using an arbor press or similar device, press bearing (CW) onto pulley shaft as shown.
- Repeat steps 1 through 4 for other bearing.

Preventive Maintenance and Adjustment

Bearing Replacement for Idler Pulleys

NOTE: Bearings can not be removed from idler pulleys. Replace entire pulley, when worn. See Service Parts section on page 18.

Pulley Installation

A – Tension Pulley

IMPORTANT: On a tension tail assembly, orient both pinion ends (BT of Figure 60) so they engage the same tooth positions on their respective racks.

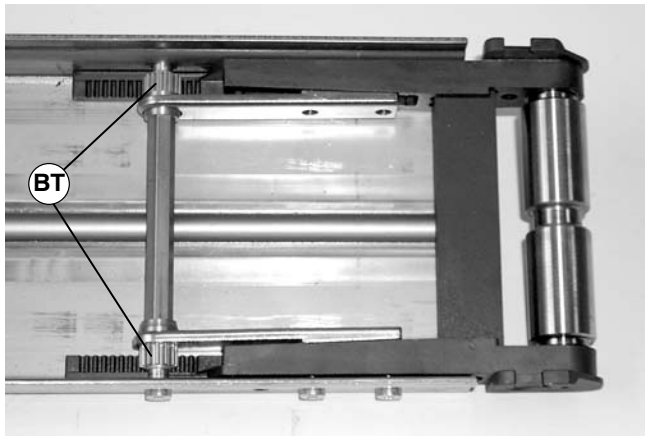


Figure 60

NOTE: Install magnet (BV of Figure 45) end of spindle and bearing assembly (BW) at same location as noted during removal.

1. Reverse the removal procedure “A” (see page 15).

B – Fixed End Pulley

NOTE: Install magnet (CB of Figure 47) end of spindle and bearing assembly (CC) at same location as noted during removal.

2. Reverse the removal procedure “B” (see page 16).


C – Drive Pulley

3. Reverse the removal procedure “C” (see page 16).

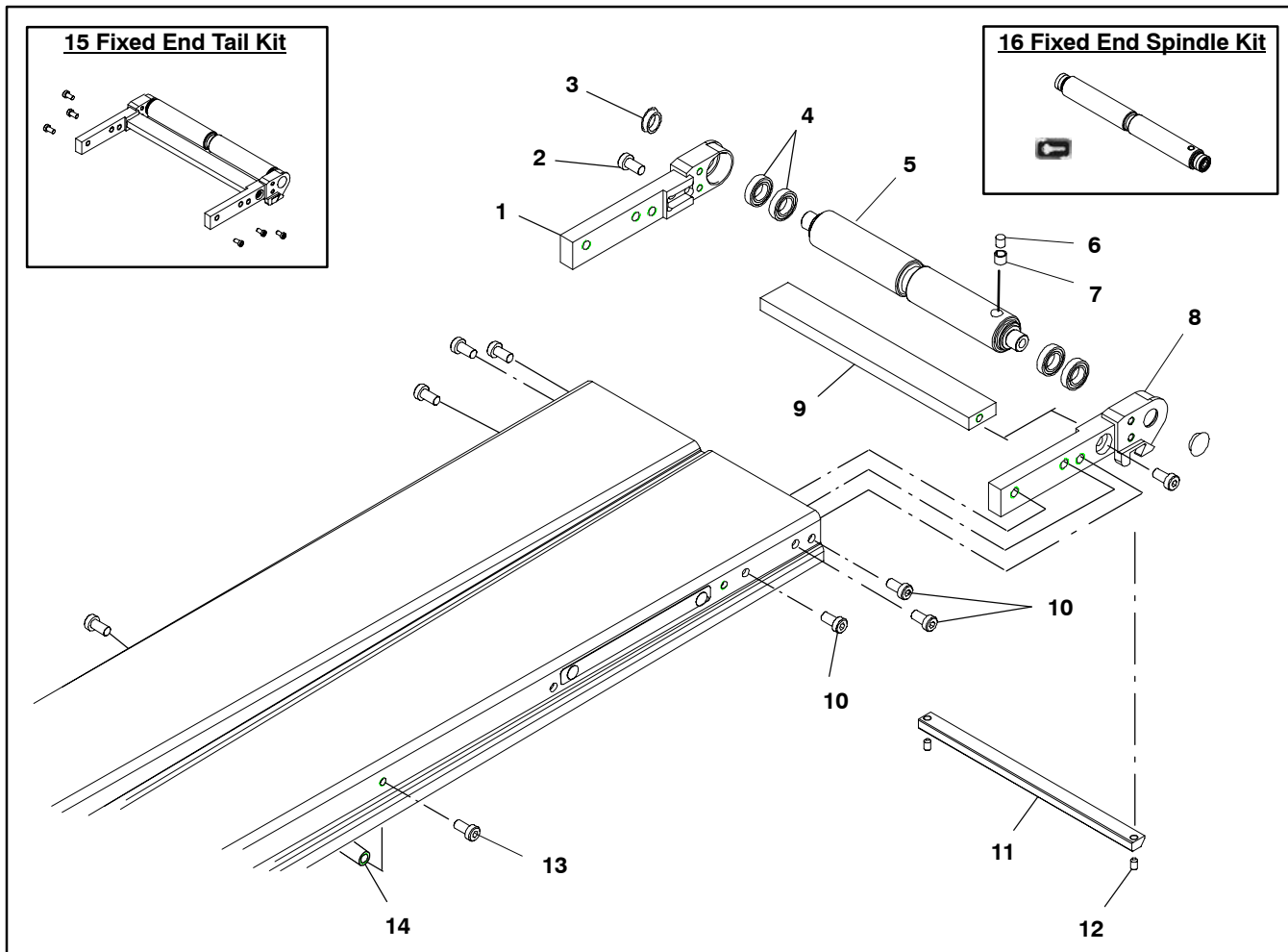
D – Idler Pulley

4. Reverse the removal procedure “D” (see page 16).

Service Parts

NOTE: For replacement parts other than those shown in this section, contact an authorized Dorner Service Center or the factory. Key Service Parts and Kits are identified by the Performance Parts Kits logo . Dorner recommends keeping these parts on hand.

Fixed End Components

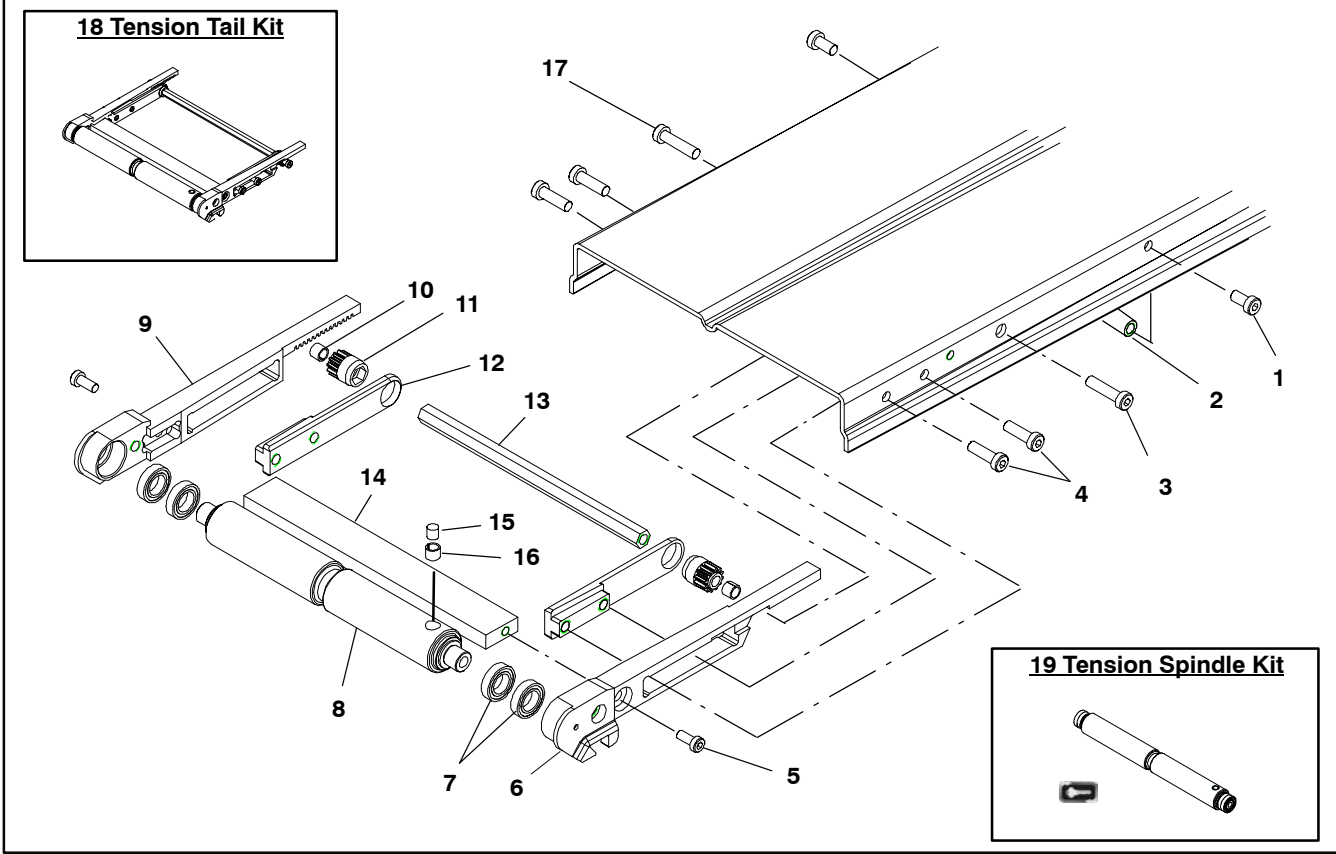


Item	Part Number	Description
1	456021	Head Plate LH 2-3" (51-76mm) Wide
	456022	Head Plate LH 4-18" (102-457mm) Wide
2	807-1022	Low-Head Pilot Screw M5-.8x12mm
3	807-963	Plastic Snap-Out Plug
4	802-121	Ball Bearing 12mm Bore x 21mm OD
5	4530WWM	Fixed End Spindle
6	808-202	Magnet .25 x .25
7	450226SSP	SS Sleeve .25 Magnet
8	456025	Head Plate RH 2-3" (51-76mm) Wide
	456026	Head Plate RH 4-18" (102-457mm) Wide

9	4536WWM	Support Tension/Fixed
10	920692M	Low-Head Cap Screw M6-1.0x12mm
11	4527WWM	Bottom Wiper
12	970508M	Cup-Point Set Screw M5-.80 x 8mm
13	807-1022	Low-Head Pilot Screw M5-.8x12mm
14	4525WWM	Frame Support Post
15	62FT-WW	Fixed End Tail Kit (Includes Items 1 through 10)
16	62T-WW	Fixed End Spindle Kit (Includes Items 3 through 7)

WW = Conveyor width ref.: 02, 03, 04, 05, 06, 08, 10, 12, 18

Tension End Components

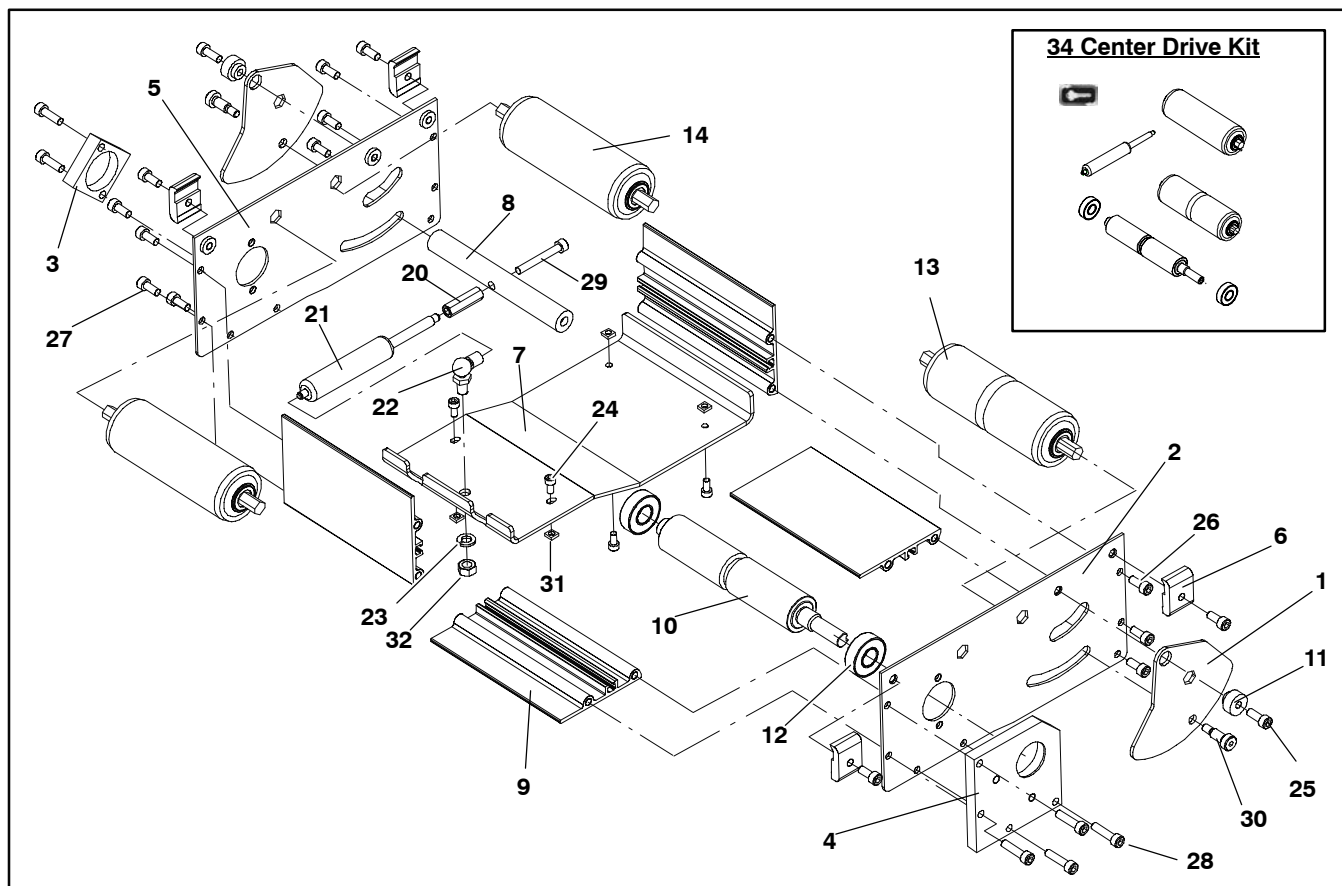


Item	Part Number	Description
1	920692M	Low-Head Cap Screw M6 x 12mm
2	4525WWM	Frame Support Post
3	920695M	Low-Head Cap Screw M6 x 25mm
4	920694M	Low-Head Cap Screw M6 x 20mm
5	807-1022	Low-Head Pilot Screw M5 x 12mm
6	456011	Head Plate Tension RH 2-3" (51-76mm) Wide
	456012	Head Plate Tension RH 4-18" (102-457mm) Wide
7	802-121	Ball Bearing 12mm Bore x 21mm OD
8	4530WW	Idler Spindle (includes ref. 16 & 17)
9	456014	Head Plate Tension LH 2-3" (51-76mm) Wide
	456015	Head Plate Tension LH 4-18" (102-457mm) Wide

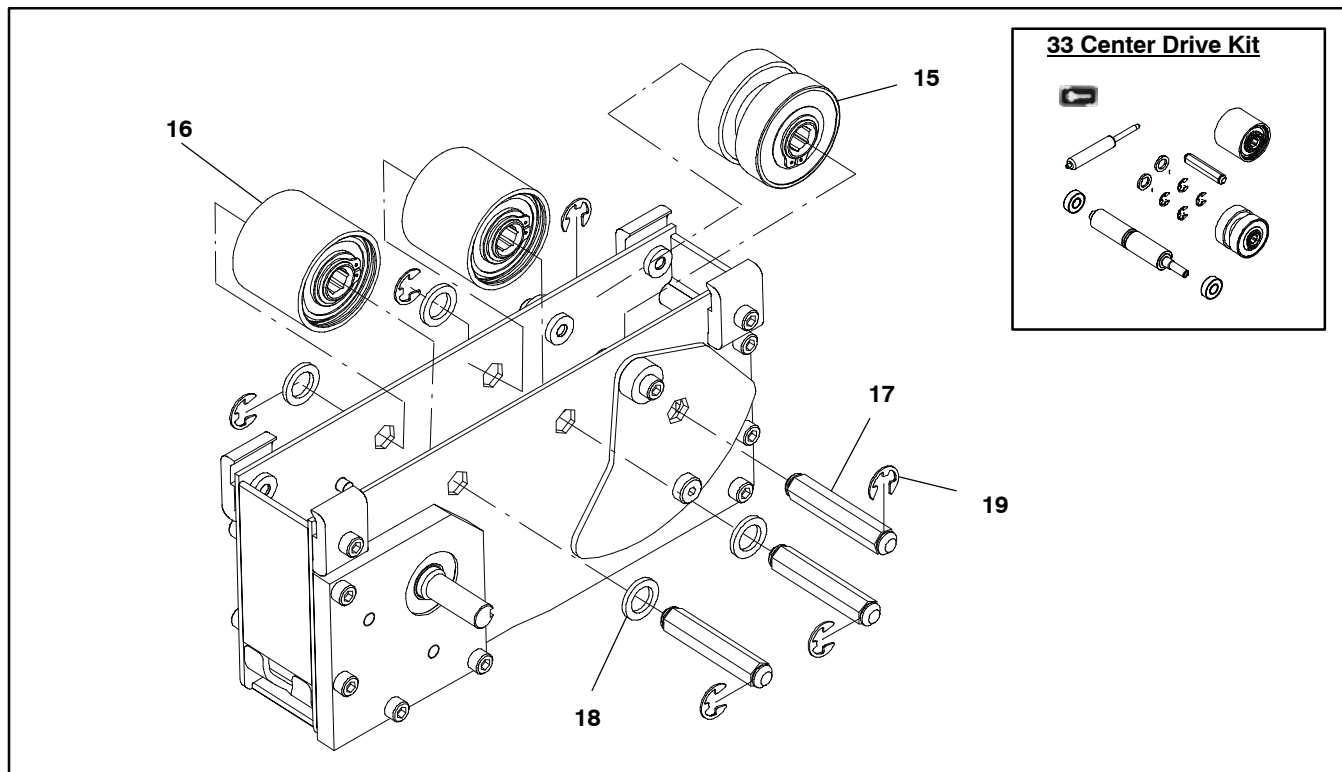
10	456049	Sleeve .312 OD x .035 Wall
11	456045	Pinion End
12	456041	Clamp Block
13	4563WW	Hex Pinion
14	4536WW	Support Tension/Fixed
15	808-202	Magnet .25 x .25
16	450226SSP	SS Sleeve .25 Magnet
17	807-1317	Low-Head Cap Screw M6 x 12mm (Yellow)
18	62TT-WW	Tension Tail Kit (Includes Items 3 through 17)
19	62T-WW	Tension Spindle Kit (Includes Items 7, 8, 15 and 16)
WW = Conveyor width ref.: 02, 03, 04, 05, 06, 08, 10, 12, 18		

Service Parts

Center Drive Module – 5” (127mm) Through 18” (457mm) Wide Conveyors



Center Drive Module – 2” (51mm) Through 4” (102mm) Wide Conveyors



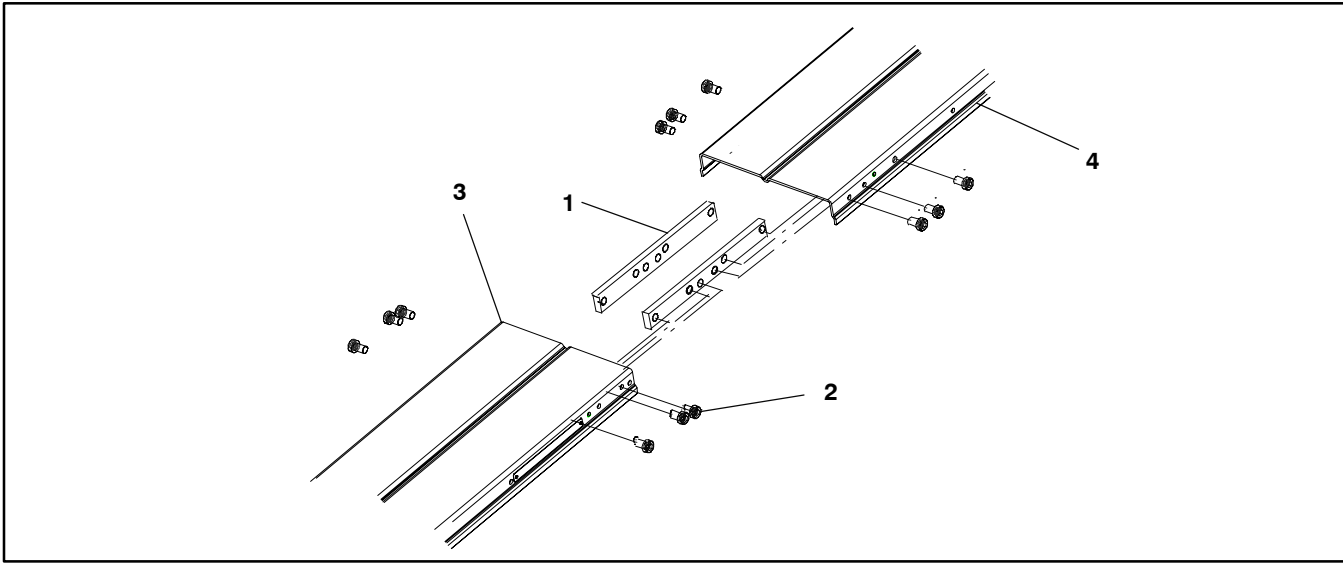
Service Parts

Item	Part Number	Description
1	463026M	Tension Plate Pivot
2	463027M	Side Plate RH
3	463028M	Mounting Block Bearing
4	463029M	Mounting Plate Bearing-Drive
5	463030M	Side Plate LH
6	463031	Mounting Clip
7	4632WWM	Cover Bottom Center Drive 2" (51mm)
8	4633WWM	Rod Tensioning Center Drive 2" (51mm)
9	4635WWM	Rail Support Center Drive 2" (51mm)
10	4637WWM	Spindle Center Drive 2" (51mm)
11	801-117	Bushing Nylon FL .24(ID) .50(OD) .50
12	802-124	Ball Bearing 15mm x 35mm x 11 Seal
13	807-1002	Roller 1.9" .44 Hex C-GRV 5" (127mm)
	807-1003	Roller 1.9" .44 Hex C-GRV 6" (152mm)
	807-1004	Roller 1.9" .44 Hex C-GRV 8" (203mm)
	807-1005	Roller 1.9" .44 Hex C-GRV 10" (254mm)
	807-1006	Roller 1.9" .44 Hex C-GRV 12" (305mm)
	807-1091	Roller 1.9" .44 Hex C-GRV 18" (457mm)
14	807-1009	Roller 1.9" .44 Hex SS Flat 5" (127mm)
	807-1010	Roller 1.9" .44 Hex SS Flat 6" (152mm)
	807-1011	Roller 1.9" .44 Hex SS Flat 8" (203mm)
	807-1012	Roller 1.9" .44 Hex SS Flat 10" (254mm)
	807-1013	Roller 1.9" .44 Hex SS Flat 12" (305mm)
	807-1088	Roller 1.9" .44 Hex SS Flat 18" (457mm)
15	463044	Pulley Sub Assy Grooved 2" (51mm)
	463045	Pulley Sub Assy Grooved 3" (76mm)
	807-1001	Pulley Sub Assy Grooved 4" (102mm)
16	463046	Pulley Sub Assy Flat 2" (51mm)
	807-1007	Pulley Sub Assy Flat 3" (76mm)
	807-1008	Pulley Sub Assy Flat 4" (102mm)
17	463402	Shaft Hex 2" (51mm)

	463403	Shaft Hex 3" (76mm)
	463404	Shaft Hex 4" (102mm)
18	801-115	Washer Nylon
19	915-215	Retaining Ring .44"
20	807-983	Standoff Hex 13mm x 35mm (lg)
21	807-1040	Gas Spring 2" (51mm) Wide
	807-986	Gas Spring 3" (76mm) Wide
	807-985	Gas Spring 4"-6" (102mm-152mm) Wide
	807-984	Gas Spring 8"-12" (203mm-305mm) Wide
	807-985	Gas Spring 18" (457mm) Wide (2x)
22	807-987	Ball Joint Steel M6-1.0 x m8-1.2
23	911-120	Washer Lock Spring-SS 5/16"
24	920510M	Socket Head Cap Screw Metric M5-.80 x 10mm
25	920618M	Socket Head Cap Screw Metric M6-1.0 x 18mm
26	920618M	Socket Head Cap Screw Metric M6-1.0 x 18mm
27	920620M	Socket Head Cap Screw Metric M6-1.0 x 20mm
28	920630M	Socket Head Cap Screw Metric M6-1.0 x 30mm
29	920625M	Socket Head Cap Screw Metric M6-1.0 x 25mm
30	940812M	Socket Head Cap Screw Shld Metric 8mm (Dia) x 12mm
31	990503M	Nut Square Heavy M5-.80
32	990801M	Nut Hex Full M8-1.25
33	CDK-WW	2" (51mm) through 4" (102mm) Center Drive Repair Kit [Includes Items 10, 12 (2x), 15, 16, 17, 18 (2x), 19 (4x), and 21]
34	CDK-WW	5" (127mm) through 18" (457mm) Center Drive Repair Kit [Includes Items 10, 12 (2x), 13, 14, and 21]
WW = Conveyor width ref.: 02, 03, 04, 05, 06, 08, 10, 12, 18		

Service Parts

Conveyor Frame and Extension



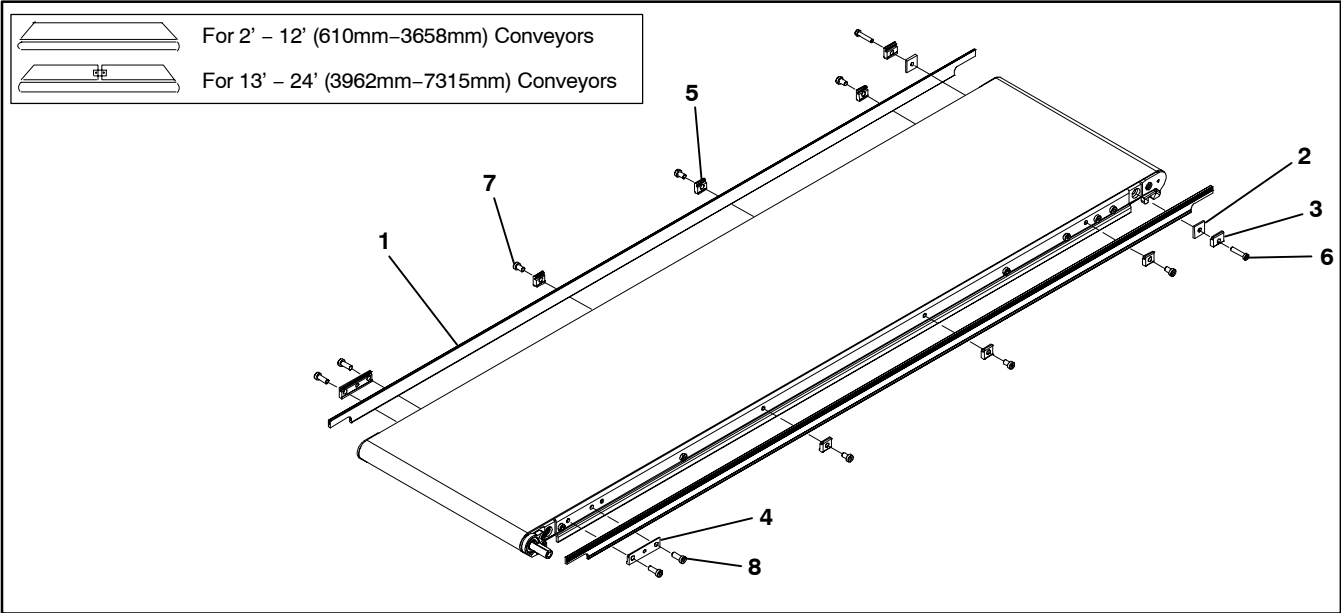
Item	Part Number	Description
1	450160M	Bar Connecting Frame
2	920691M	Low-Head Cap Screw M6-1.0x10mm

3	See Conveyor Frame chart	Conveyor Frame
4	See Conveyor Frame chart	Conveyor Frame Extension

Items 3 and 4: Conveyor Frame		
Length	Frame Part Number	Frame Extension Part Number
2' (610mm)	4720WW-01860	n/a
3' (914mm)	4720WW-03060	n/a
4' (1219mm)	4720WW-04260	n/a
5' (1524mm)	4720WW-05460	n/a
6' (1829mm)	4720WW-06660	n/a
7' (2134mm)	4720WW-07860	n/a
8' (2438mm)	4720WW-09060	n/a
9' (2743mm)	4720WW-10260	n/a
10' (3048mm)	4720WW-11460	n/a
11' (3353mm)	4720WW-12660	n/a
12' (3658mm)	4720WW-13860	n/a

13' (3962mm)	4720WW-07860	4740WW
14' (4267mm)	4720WW-09060	4740WW
15' (4572mm)	4720WW-10260	4740WW
16' (4877mm)	4720WW-11460	4740WW
17' (5182mm)	4720WW-12660	4740WW
18' (5486mm)	4720WW-13860	4740WW
19' (5791mm)	4720WW-07860	4741WW
20' (6096mm)	4720WW-09060	4741WW
21' (6401mm)	4720WW-10260	4741WW
22' (6706mm)	4720WW-11460	4741WW
23' (7011mm)	4720WW-12660	4741WW
24' (7316mm)	4720WW-13860	4741WW
WW = Conveyor width ref.: 02, 03, 04, 05, 06, 08, 10, 12, 18		

-02 0.5" (13mm) Bolt-On High Side Guides



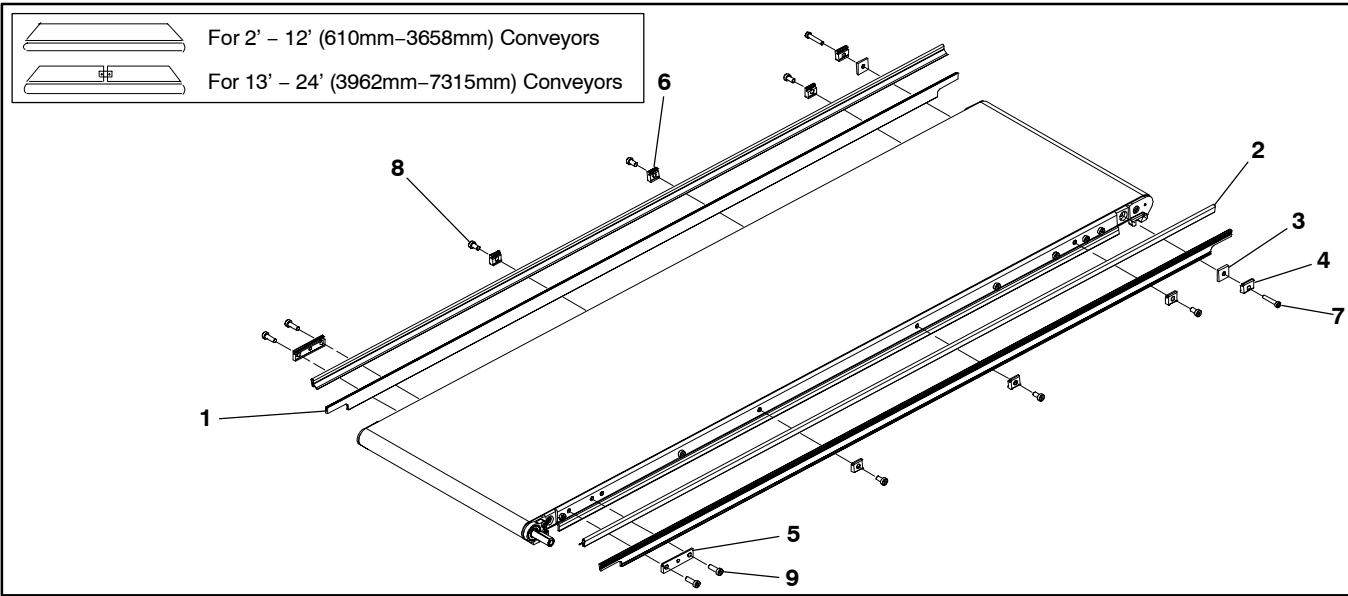
Item	Part Number	Description
1	See chart below	6200 Guide .5" (13mm) HS
2	460058	Spacer Guide Clip
3	460059	Clip Guide .75" long
4	460060	Guide Clip Spacer
5	460250	Clip Mounting Guide
6	807-1359	Low Head Pilot Screw, M5-.80 x 25mm
7	920691M	Low Head Cap Screw, M6-1.00 x 10mm
8	920693M	Low Head Cap Screw, M6-1.00 x 16mm

6200 Guide .5" (13mm) HS			
Length		End Guide	End Guide
2' (610mm)	Left Hand	460055-02400	N/A
	Right Hand	460055-02400	N/A
3' (914mm)	Left Hand	460055-03600	N/A
	Right Hand	460055-03600	N/A
4' (1219mm)	Left Hand	460055-04800	N/A
	Right Hand	460055-04800	N/A
5' (1524mm)	Left Hand	460055-06000	N/A
	Right Hand	460055-06000	N/A
6' (1829mm)	Left Hand	460055-07200	N/A
	Right Hand	460055-07200	N/A
7' (2134mm)	Left Hand	460055-08400	N/A
	Right Hand	460055-08400	N/A
8' (2438mm)	Left Hand	460055-09600	N/A
	Right Hand	460055-09600	N/A
9' (2743mm)	Left Hand	460055-10800	N/A
	Right Hand	460055-10800	N/A
10' (3048mm)	Left Hand	460055-12000	N/A
	Right Hand	460055-12000	N/A

11' (3353mm)	Left Hand	460055-13200	N/A
	Right Hand	460055-13200	N/A
12' (3658mm)	Left Hand	460055-14400	N/A
	Right Hand	460055-14400	N/A
13' (3962mm)	Left Hand	460255-08139	460255-07460
	Right Hand	460155-08139	460155-07460
14' (4267mm)	Left Hand	460255-09339	460255-07460
	Right Hand	460155-09339	460155-07460
15' (4572mm)	Left Hand	460255-10539	460255-07460
	Right Hand	460155-10539	460155-07460
16' (4877mm)	Left Hand	460255-11739	460255-07460
	Right Hand	460155-11739	460155-07460
17' (5182mm)	Left Hand	460255-12939	460255-07460
	Right Hand	460155-12939	460155-07460
18' (5486mm)	Left Hand	460255-14139	460255-07460
	Right Hand	460155-14139	460155-07460
19' (5791mm)	Left Hand	460255-08139	460255-14660
	Right Hand	460155-08139	460155-14660
20' (6096mm)	Left Hand	460255-09339	460255-14660
	Right Hand	460155-09339	460155-14660
21' (6401mm)	Left Hand	460255-10539	460255-14660
	Right Hand	460155-10539	460155-14660
22' (6706mm)	Left Hand	460255-11739	460255-14660
	Right Hand	460155-11739	460155-14660
23' (7010mm)	Left Hand	460255-12939	460255-14660
	Right Hand	460155-12939	460155-14660
24' (7315mm)	Left Hand	460255-14139	460255-14660
	Right Hand	460155-14139	460155-14660

Service Parts

-03 Bolt-On Side Wipers

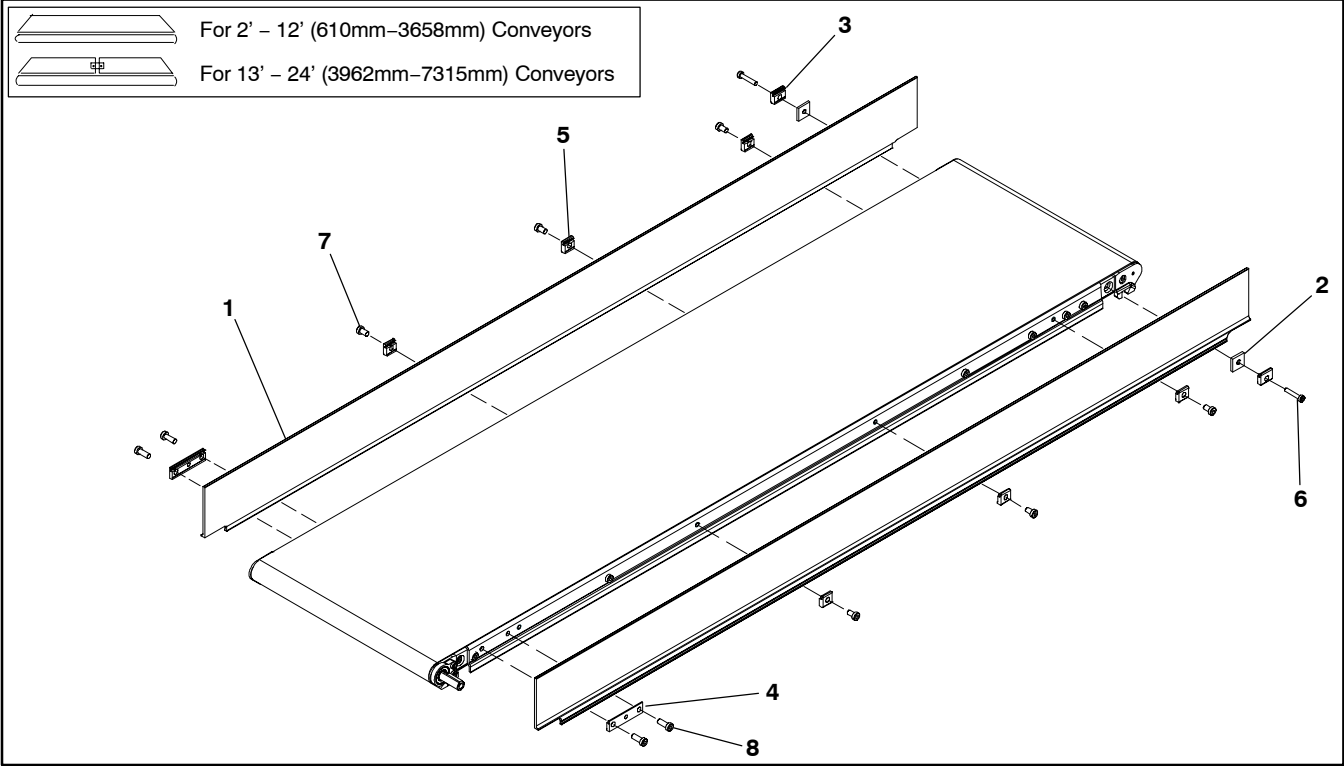


Item	Part Number	Description
1	See chart below	6200 Guide .5" (13mm) HS
2	41-00-24	Wiper Side Nylatron (per foot)
3	460058	Spacer Guide Clip
4	460059	Clip Guide .75" long
5	460060	Guide Clip Spacer
6	460250	Clip Mounting Guide
7	807-1359	Low Head Pilot Screw, M5-.80 x 25mm
8	920691M	Low Head Cap Screw, M6-1.00 x 10mm
9	920693M	Low Head Cap Screw, M6-1.00 x 16mm

6200 Guide .5" (13mm) HS			
Length		End Guide	End Guide
2' (610mm)	Left Hand	460055-02400	N/A
	Right Hand	460055-02400	N/A
3' (914mm)	Left Hand	460055-03600	N/A
	Right Hand	460055-03600	N/A
4' (1219mm)	Left Hand	460055-04800	N/A
	Right Hand	460055-04800	N/A
5' (1524mm)	Left Hand	460055-06000	N/A
	Right Hand	460055-06000	N/A
6' (1829mm)	Left Hand	460055-07200	N/A
	Right Hand	460055-07200	N/A
7' (2134mm)	Left Hand	460055-08400	N/A
	Right Hand	460055-08400	N/A
8' (2438mm)	Left Hand	460055-09600	N/A
	Right Hand	460055-09600	N/A
9' (2743mm)	Left Hand	460055-10800	N/A
	Right Hand	460055-10800	N/A

10' (3048mm)	Left Hand	460055-12000	N/A
	Right Hand	460055-12000	N/A
11' (3353mm)	Left Hand	460055-13200	N/A
	Right Hand	460055-13200	N/A
12' (3658mm)	Left Hand	460055-14400	N/A
	Right Hand	460055-14400	N/A
13' (3962mm)	Left Hand	460255-08139	460255-07460
	Right Hand	460155-08139	460155-07460
14' (4267mm)	Left Hand	460255-09339	460255-07460
	Right Hand	460155-09339	460155-07460
15' (4572mm)	Left Hand	460255-10539	460255-07460
	Right Hand	460155-10539	460155-07460
16' (4877mm)	Left Hand	460255-11739	460255-07460
	Right Hand	460155-11739	460155-07460
17' (5182mm)	Left Hand	460255-12939	460255-07460
	Right Hand	460155-12939	460155-07460
18' (5486mm)	Left Hand	460255-14139	460255-07460
	Right Hand	460155-14139	460155-07460
19' (5791mm)	Left Hand	460255-08139	460255-14660
	Right Hand	460155-08139	460155-14660
20' (6096mm)	Left Hand	460255-09339	460255-14660
	Right Hand	460155-09339	460155-14660
21' (6401mm)	Left Hand	460255-10539	460255-14660
	Right Hand	460155-10539	460155-14660
22' (6706mm)	Left Hand	460255-11739	460255-14660
	Right Hand	460155-11739	460155-14660
23' (7010mm)	Left Hand	460255-12939	460255-14660
	Right Hand	460155-12939	460155-14660
24' (7315mm)	Left Hand	460255-14139	460255-14660
	Right Hand	460155-14139	460155-14660

-04 3" (76 mm) Bolt - On High Side Guides



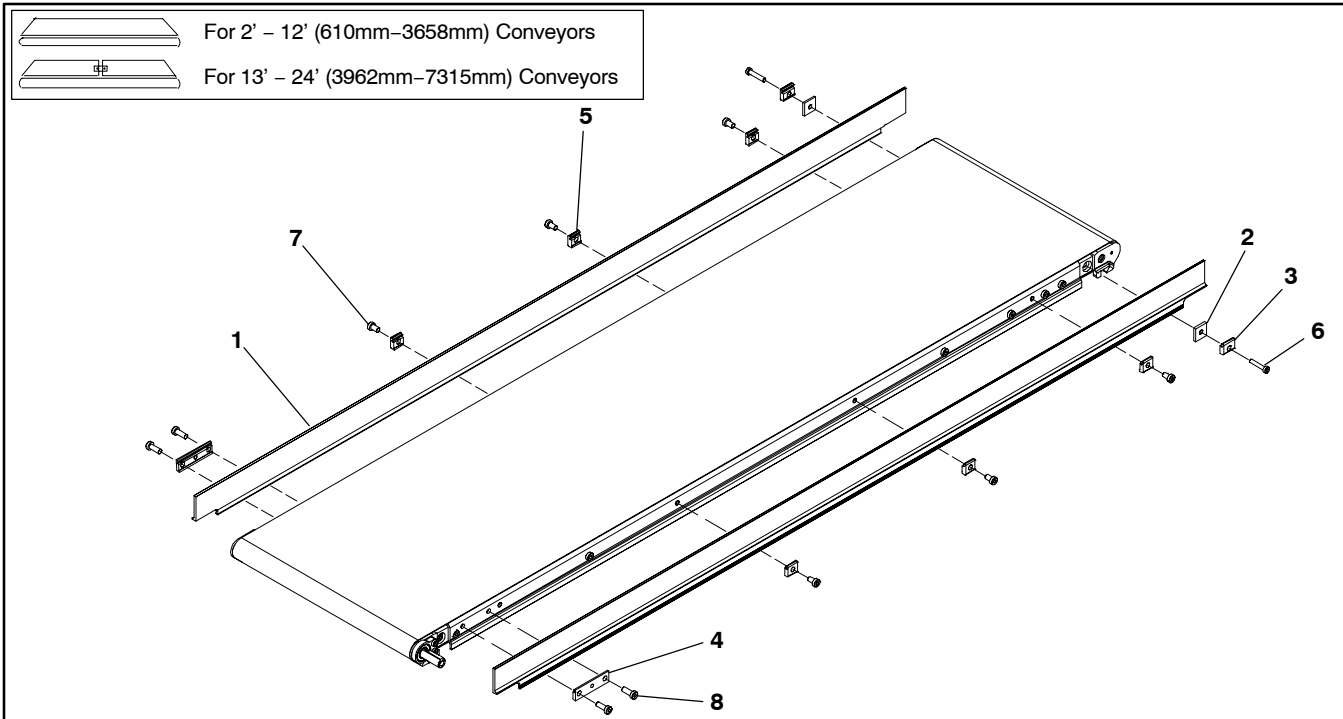
Item	Part Number	Description
1	See chart below	6200 Guide 3" (76mm) HS
2	460058	Spacer Guide Clip
3	460059	Clip Guide .75" long
4	460060	Guide Clip Spacer
5	460250	Clip Mounting Guide
6	807-1359	Low Head Pilot Screw, M5-.80 x 25mm
7	920691M	Low Head Cap Screw, M6-1.00 x 10mm
8	920693M	Low Head Cap Screw, M6-1.00 x 16mm

6200 Guide 3" (76mm) HS			
Length		End Guide	End Guide
2' (610mm)	Left Hand	460057-02400	N/A
	Right Hand	460057-02400	N/A
3' (914mm)	Left Hand	460057-03600	N/A
	Right Hand	460057-03600	N/A
4' (1219mm)	Left Hand	460057-04800	N/A
	Right Hand	460057-04800	N/A
5' (1524mm)	Left Hand	460057-06000	N/A
	Right Hand	460057-06000	N/A
6' (1829mm)	Left Hand	460057-07200	N/A
	Right Hand	460057-07200	N/A
7' (2134mm)	Left Hand	460057-08400	N/A
	Right Hand	460057-08400	N/A
8' (2438mm)	Left Hand	460057-09600	N/A
	Right Hand	460057-09600	N/A
9' (2743mm)	Left Hand	460057-10800	N/A
	Right Hand	460057-10800	N/A

10' (3048mm)	Left Hand	460057-12000	N/A
	Right Hand	460057-12000	N/A
11' (3353mm)	Left Hand	460057-13200	N/A
	Right Hand	460057-13200	N/A
12' (3658mm)	Left Hand	460057-14400	N/A
	Right Hand	460057-14400	N/A
13' (3962mm)	Left Hand	460257-08139	460257-07460
	Right Hand	460157-08139	460157-07460
14' (4267mm)	Left Hand	460257-09339	460257-07460
	Right Hand	460157-09339	460157-07460
15' (4572mm)	Left Hand	460257-10539	460257-07460
	Right Hand	460157-10539	460157-07460
16' (4877mm)	Left Hand	460257-11739	460257-07460
	Right Hand	460157-11739	460157-07460
17' (5182mm)	Left Hand	460257-12939	460257-07460
	Right Hand	460157-12939	460157-07460
18' (5486mm)	Left Hand	460257-14139	460257-07460
	Right Hand	460157-14139	460157-07460
19' (5791mm)	Left Hand	460257-08139	460257-14660
	Right Hand	460157-08139	460157-14660
20' (6096mm)	Left Hand	460257-09339	460257-14660
	Right Hand	460157-09339	460157-14660
21' (6401mm)	Left Hand	460257-10539	460257-14660
	Right Hand	460157-10539	460157-14660
22' (6706mm)	Left Hand	460257-11739	460257-14660
	Right Hand	460157-11739	460157-14660
23' (7010mm)	Left Hand	460257-12939	460257-14660
	Right Hand	460157-12939	460157-14660
24' (7315mm)	Left Hand	460257-14139	460257-14660
	Right Hand	460157-14139	460157-14660

Service Parts

-05 1.5" (38mm) Bolt-On High Side Guides

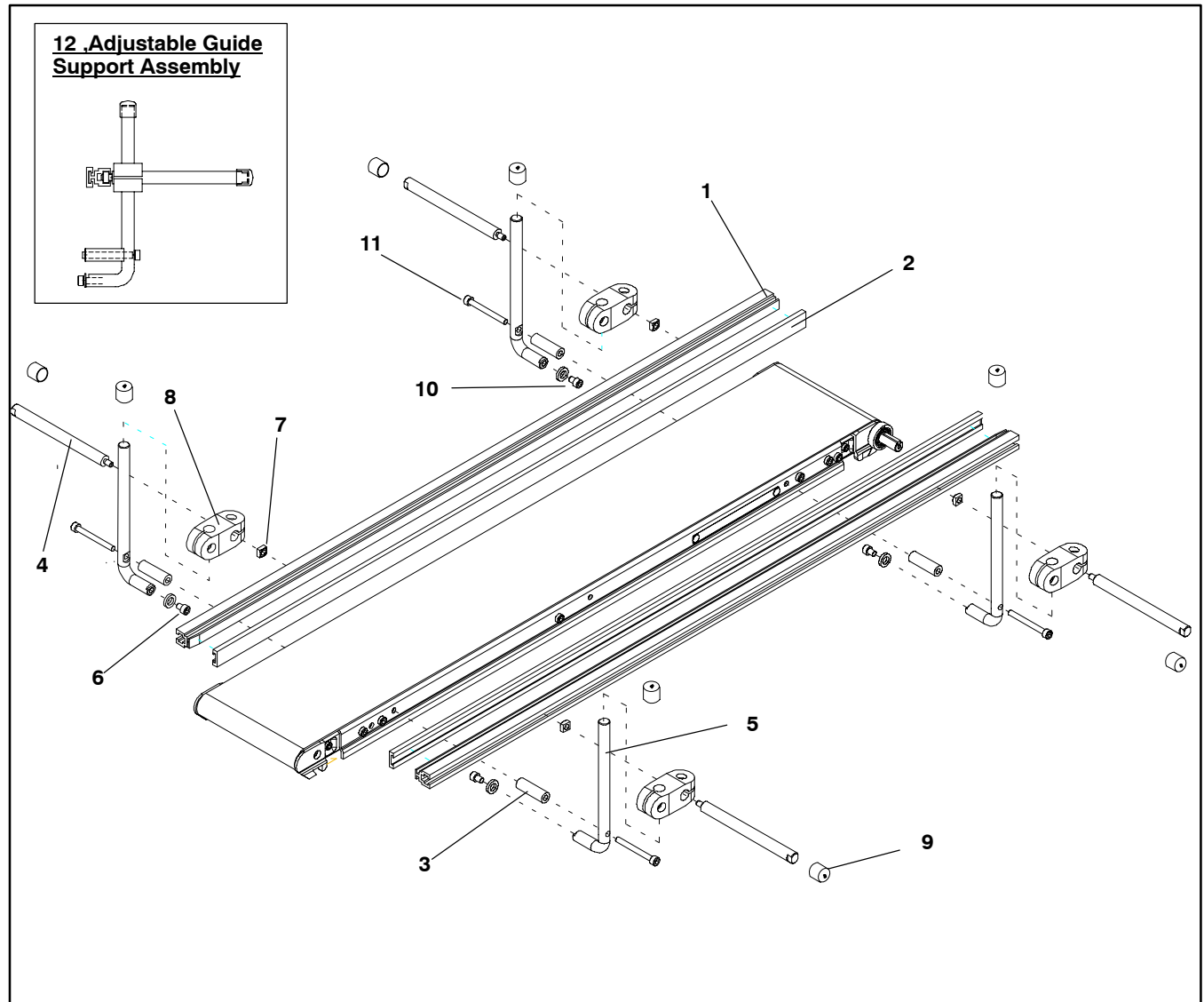


Item	Part Number	Description
1	See chart below	6200 Guide 1.5" (38mm) HS
2	460058	Spacer Guide Clip
3	460059	Clip Guide .75" long
4	460060	Guide Clip Spacer
5	460250	Clip Mounting Guide
6	807-1359	Low Head Pilot Screw, M5-.80 x 25mm
7	920691M	Low Head Cap Screw, M6-1.00 x 10mm
8	920693M	Low Head Cap Screw, M6-1.00 x 16mm

10' (3048mm)	Left Hand	460056-12000	N/A
	Right Hand	460056-12000	N/A
11' (3353mm)	Left Hand	460056-13200	N/A
	Right Hand	460056-13200	N/A
12' (3658mm)	Left Hand	460056-14400	N/A
	Right Hand	460056-14400	N/A
13' (3962mm)	Left Hand	460256-08139	460256-07460
	Right Hand	460156-08139	460156-07460
14' (4267mm)	Left Hand	460256-09339	460256-07460
	Right Hand	460156-09339	460156-07460
15' (4572mm)	Left Hand	460256-10539	460256-07460
	Right Hand	460156-10539	460156-07460
16' (4877mm)	Left Hand	460256-11739	460256-07460
	Right Hand	460156-11739	460156-07460
17' (5182mm)	Left Hand	460256-12939	460256-07460
	Right Hand	460156-12939	460156-07460
18' (5486mm)	Left Hand	460256-14139	460256-07460
	Right Hand	460156-14139	460156-07460
19' (5791mm)	Left Hand	460256-08139	460256-14660
	Right Hand	460156-08139	460156-14660
20' (6096mm)	Left Hand	460256-09339	460256-14660
	Right Hand	460156-09339	460156-14660
21' (6401mm)	Left Hand	460256-10539	460256-14660
	Right Hand	460156-10539	460156-14660
22' (6706mm)	Left Hand	460256-11739	460256-14660
	Right Hand	460156-11739	460156-14660
23' (7010mm)	Left Hand	460256-12939	460256-14660
	Right Hand	460156-12939	460156-14660
24' (7315mm)	Left Hand	460256-14139	460256-14660
	Right Hand	460156-14139	460156-14660

6200 Guide 1.5" (38mm) HS			
Length		End Guide	End Guide
2' (610mm)	Left Hand	460056-02400	N/A
	Right Hand	460056-02400	N/A
3' (914mm)	Left Hand	460056-03600	N/A
	Right Hand	460056-03600	N/A
4' (1219mm)	Left Hand	460056-04800	N/A
	Right Hand	460056-04800	N/A
5' (1524mm)	Left Hand	460056-06000	N/A
	Right Hand	460056-06000	N/A
6' (1829mm)	Left Hand	460056-07200	N/A
	Right Hand	460056-07200	N/A
7' (2134mm)	Left Hand	460056-08400	N/A
	Right Hand	460056-08400	N/A
8' (2438mm)	Left Hand	460056-09600	N/A
	Right Hand	460056-09600	N/A
9' (2743mm)	Left Hand	460056-10800	N/A
	Right Hand	460056-10800	N/A

-13 Fully Adjustable UHMW Guides

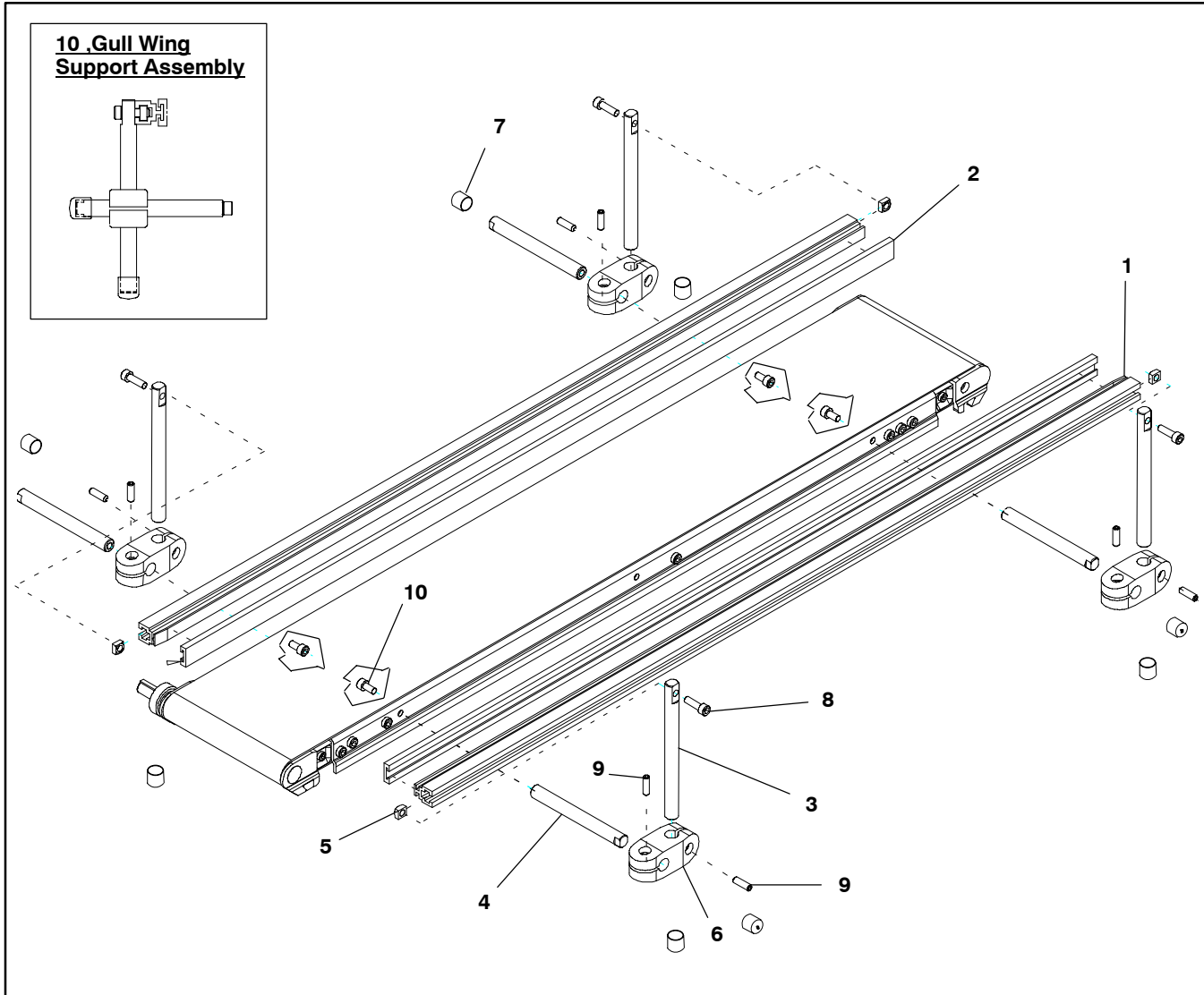


Item	Part Number	Description
1	202983	Guide Mounting Rail 2' (610mm)
	202984	Guide Mounting Rail 3' (914mm)
	202985	Guide Mounting Rail 4' (1219mm)
	202986	Guide Mounting Rail 5' (1524mm)
	202987	Guide Mounting Rail 6' (1829mm)
	202988	Guide Mounting Rail 7' (2134mm)
	202989	Guide Mounting Rail 8' (2438mm)
	202990	Guide Mounting Rail 9' (2743mm)
	202991	Guide Mounting Rail 10' (3053mm)
	202992	Guide Mounting Rail 11' (3353mm)
	202993	Guide Mounting Rail 12' (3658mm)
	202994	Guide Mounting Rail 13' (3962mm)

2	614068P	Guide Extruded Flat (per foot)
3	461351	Shaft Brace
4	202028M	Horizontal Shaft Mounting Guide
5	461350M	Shaft Vertical Adj Guide
6	605279P	Hard Washer
7	674175MP	Square Nut M6-1.0 w/1/4-20
8	807-652	Cross Block
9	807-948	Cap Vinyl
10	920608M	Socket Head Cap Screw M6-1.0 x 8mm
11	920655M	Socket Head Cap Screw M6-1.0 x 55mm
12	461300M	Support Assembly, Adjustable Guide (Includes Items: 3 through 12)

Service Parts

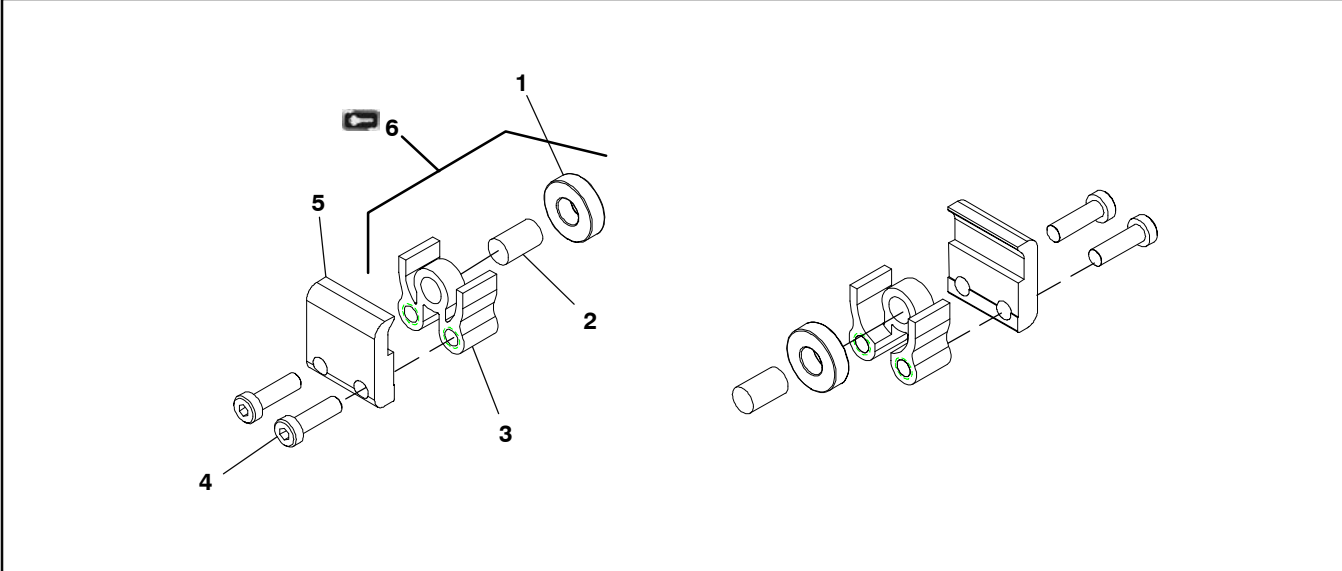
-20 Adjustable Width UHMW Guides



Item	Part Number	Description
1	202983	Guide Mounting Rail 2' (610mm)
	202984	Guide Mounting Rail 3' (914mm)
	202985	Guide Mounting Rail 4' (1219mm)
	202986	Guide Mounting Rail 5' (1524mm)
	202987	Guide Mounting Rail 6' (1829mm)
	202988	Guide Mounting Rail 7' (2134mm)
	202989	Guide Mounting Rail 8' (2438mm)
	202990	Guide Mounting Rail 9' (2743mm)
	202991	Guide Mounting Rail 10' (3048mm)
	202992	Guide Mounting Rail 11' (3353mm)
	202993	Guide Mounting Rail 12' (3658mm)
	202994	Guide Mounting Rail 13' (3962mm)

2	614068P	Guide extruded flat (per foot)
3	462050M	Vertical Shaft Gullwing Guide
4	462052M	Horizontal Shaft Gullwing Guide
5	674175MP	Square Nut M6-1.0 w/1/4-20
6	807-652	Cross Block
7	807-948	Cap Vinyl
8	920620M	Socket Head Cap Screw M6-1.0 x 20mm
9	970620M	Socket Head Set Screw M6-1.0 x 20mm
10	920612M	Socket Head Cap Screw M6-1.0 x 12mm
11	462300M	Support Assembly, Gull Wing (Includes Items: 3 through 9)

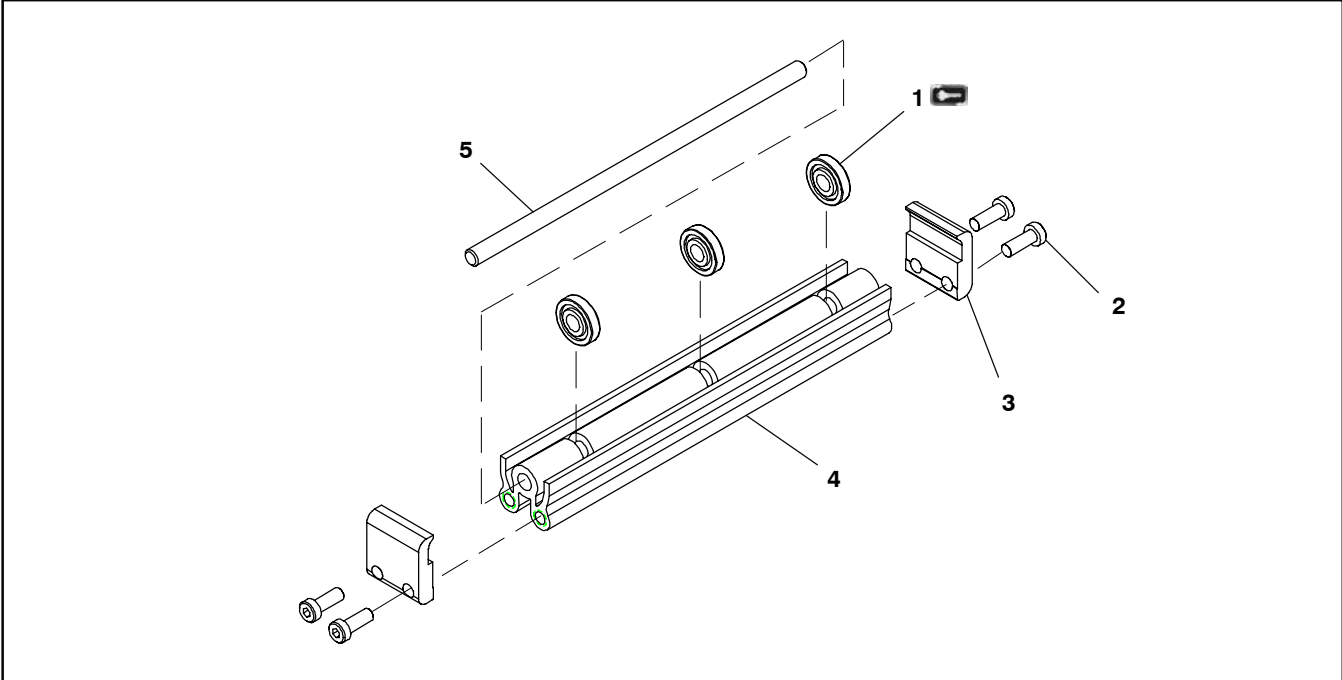
2" (51mm) Through 6" (152mm) Wide Flat Belt Return Rollers



Item	Part Number	Description
1	802-027	Sealed Ball Bearing
2	913-103	Dowel Pin
3	450598	Return Roller Guard

4	920694M	Low-Head Cap Screw M6-1.0 x 20mm
5	450599	Return Roller Clip Flat Belt
6	240840	Roller Assy.

8" (203mm) Through 18" (457mm) Wide Flat Belt Return Roller

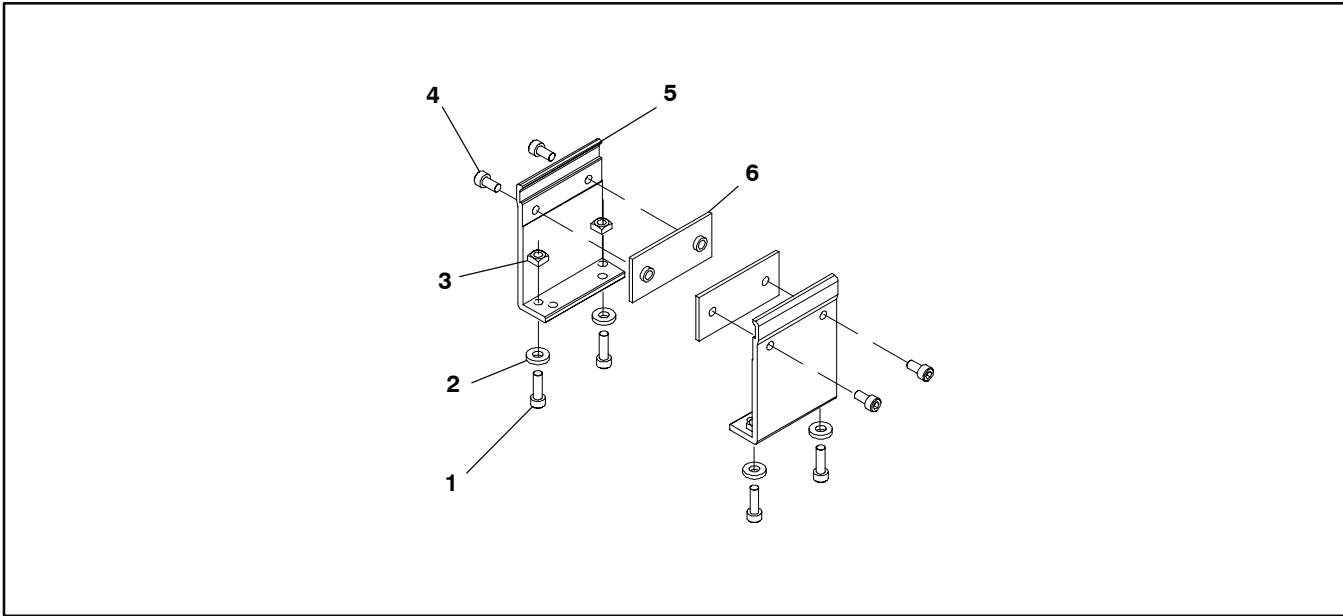


Item	Part Number	Description
1	240826	Return Roller
2	920693M	Low-Head Cap Screw M6-1.0 x 16mm
3	450599	Return Roller Clip Flat Belt

4	4511WW	Return Roller Guard
5	2410WW	Return Roller Rod
WW = Conveyor width ref.: 08, 10, 12, 18		

Service Parts

Conveyor Mounting Brackets



Item	Part Number	Description
1	920620M	Socket Head Cap Screw M6-1.0 x 20mm
2	605279P	Hard Washer
3	807-920	Square Nut M6-1.0

4	920612M	Socket Head Cap Screw M6-1.0 x 12mm
5	456031	Stand/Conveyor Mounting Bracket
6	450588	Mount Plate - Flat Belt

Configuring Conveyor Belt Part Number

6DBMWWLLLLPGGBB

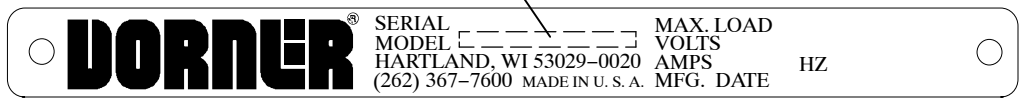


Figure 61

Refer to your serial and model number plate (Figure 61). From the model number, determine conveyor width (**WW**), length (**LLLL**), and belt type (**BB**). Use data to configure belt part number as indicated below.

6D-WWLLLL/BBV

65- _____ / _____ V
(Fill In)

EXAMPLE:

651M030200A0102 Conveyor

6200 Series center drive conveyor without wiper, with mounting brackets, USA English documentation, 3" (76mm) wide x 2.0 ft (610mm) long, shaft position A, guide profile 01 and belt type /02 (general purpose)

65-030200/02V Belt

Return Policy

No returns will be accepted without prior written factory authorization. When calling for authorization, please have the following information ready for the Dorner Factory representative or your local distributor:

1. Name and address of customer.
2. Item(s) being returned.
3. Reason for return.
4. Customer's original order number used when ordering the item(s).
5. Dorner or distributor invoice number.

A representative will discuss action to be taken on the Returned items and provide a Returned Goods Authorization Number to reference.

There will be a 15% restocking charge on all new items returned for credit where Dorner was not at fault. These will not be accepted after 60 days from original invoice date. The restocking charge covers inspection, cleaning, disassembly, and reissuing to inventory.

If a replacement is needed prior to evaluation of returned item, a purchase order must be issued. Credit (if any) is issued only after return and evaluation is complete.

Dorner has representatives throughout the world. Feel free to contact Dorner for the name of your local representative. Our technical sales and service staff will gladly help with your questions on Dorner products.

For a copy of Dorner's Limited Warranty, contact factory, distributor, service center or visit our website @ www.dorner.com

**For replacement parts, contact an authorized
Dorner Service Center or the factory.**

DORNER[®]

Dorner Mfg. Corp. reserves the right to change or discontinue products without notice. All products and services are covered in accordance with our standard warranty. All rights reserved. © Dorner Mfg. Corp. 2000

DORNER MFG. CORP.

975 Cottonwood Ave. PO Box 20
Hartland, WI 53029-0020 USA

USA
TEL 1-800-397-8664 (USA)
FAX 1-800-369-2440 (USA)

Outside the USA:
TEL 1-262-367-7600, FAX 1-262-367-5827

DORNER

Arnold-Sommerfeld-Ring 2
D-52499 Baesweiler

Germany
TEL (02401) 80 52 90
FAX (02401) 80 52 93

Internet: www.dorner.com