



2100, 2200, 2300, 4100, 6200, MPB Series Top Mount Drive Package for Standard Load 90° Industrial Gearmotors

Installation, Maintenance & Parts Manual



Featuring: **eDrive™** Technology

DORNER MFG. CORP.
P.O. Box 20 • 975 Cottonwood Ave.
Hartland, WI 53029-0020 USA

INSIDE THE USA
TEL: 1-800-397-8664
FAX: 1-800-369-2440

OUTSIDE THE USA
TEL: 262-367-7600
FAX: 262-367-5827

For other service manuals visit our website at:
www.dorner.com/service_manuals.asp

Table of Contents

Introduction	2	Preventive Maintenance and Adjustment	13
Warnings – General Safety	3	Required Tools	13
Product Description	4	Timing Belt Tensioning	13
Specifications	5	Timing Belt Replacement	13
Gearmotor Mounting Package Models:	5	Drive or Driven Pulley Replacement	14
Table 1: Gearmotor Specifications	5	Gear Reducer Replacement	14
U.S. Version	5	For eDrive style gearmotor	15
CE Version	5	For old style gearmotor prior to June 2011	16
Table 2: RPM/Torque for Standard Load		Motor Replacement	17
Fixed Speed 90° Gearmotors	6	Single Phase Motor	17
U.S. Version (60 Hz Gearmotors)	6	Three Phase Motor	17
CE Version (50 Hz Gearmotors)	6	DC Variable Speed Motor	17
Table 3: RPM/Torque for Standard Load		Brushless Motor	17
Variable Speed 90° DC Gearmotors	7	All Models	18
U.S. Version (60 Hz Gearmotors)	7	Notes	19
CE Version (50 Hz Gearmotors)	7	Service Parts	20
Table 4: Belt Speeds for Brushless 90° Gearmotors	7	2100, 2200, 2300, 4100, 6200 Series and MPB Series	
Table 5: Pulley Ratio / Timing Belt Number	8	Flat Belt Conveyors Top Mount Drive Package	
Table 6: Conveyor Belt Speed Factor	8	for Standard Load 90° Industrial Gearmotors	20
Belt Speed Calculation:	8	Pulley Ratio / Timing Belt Combinations	22
How to Calculate Belt Speed	8	MPB Series Cleated Belt Conveyor Top Mount	
Installation	9	Drive Package for Standard Load 90° Industrial	
Required Tools	9	Gearmotors (Old Style Gearmotor Only)	23
Mounting	9	4100 Mounting Package	24
		U.S. Version Gearmotors	25
		CE Version Gearmotors	25
		Return Policy	26

Introduction

IMPORTANT

Some illustrations may show guards removed. Do NOT operate equipment without guards.

Upon receipt of shipment:

- Compare shipment with packing slip. Contact factory regarding discrepancies.
- Inspect packages for shipping damage. Contact carrier regarding damage.
- Accessories may be shipped loose. See accessory instructions for installation.


Dorner 2100 Series conveyors are covered by the following patent numbers: 5,131,529, 5,174,435, and corresponding patents and patent applications in other countries.

Dorner 4100 Series conveyors are covered by patent number 3,923,148, 5,131,529 and corresponding patents and patent applications in other countries.

Dorner 2200, 6200 & MPB Series conveyors are covered by patent number 5,174,435, 6,109,427, 6,298,981, 6,422,382, 6,685,009 and corresponding patents and patent applications in other countries.

Dorner's Limited Warranty applies.

Dorner reserves the right to make changes at any time without notice or obligation.

Dorner has convenient, pre-configured kits of Key Service Parts for all conveyor products. These time saving kits are easy to order, designed for fast installation, and guarantee you will have what you need when you need it. Key Parts and Kits are marked in the Service Parts section of this manual with the Performance Parts Kits logo .

Warnings – General Safety

⚠ WARNING

The safety alert symbol, black triangle with white exclamation, is used to alert you to potential personal injury hazards.

⚠ DANGER



Climbing, sitting, walking or riding on conveyor will cause severe injury. **KEEP OFF CONVEYORS.**

⚠ DANGER



DO NOT OPERATE CONVEYORS IN AN EXPLOSIVE ENVIRONMENT.

⚠ WARNING



Exposed moving parts can cause severe injury. **LOCK OUT POWER** before removing guards or performing maintenance.

⚠ WARNING



Gearmotors may be **HOT**.
DO NOT TOUCH Gearmotors.

⚠ WARNING



Exposed moving parts can cause severe injury. **REPLACE ALL GUARDS BEFORE RUNNING CONVEYOR.**

⚠ WARNING



Dorner cannot control the physical installation and application of conveyors. Taking protective measures is the responsibility of the user.

When conveyors are used in conjunction with other equipment or as part of a multiple conveyor system, **CHECK FOR POTENTIAL PINCH POINTS** and other mechanical hazards before system start-up.

⚠ WARNING



MPB Series Conveyors are not reversible. Reversing creates pinch points which can cause severe injury.

DO NOT REVERSE MPB SERIES CONVEYORS.

Product Description

Refer to **Figure 1** for typical components.

- | | |
|---|-----------------------|
| 1 | Conveyor |
| 2 | Mounting Bracket |
| 3 | Gearmotor |
| 4 | Timing Belt Tensioner |
| 5 | Cover |
| 6 | Timing Belt |
| 7 | Drive Pulley |
| 8 | Driven Pulley |

NOTE

The 90° industrial gearhead changed configuration in 2011. See below for configuration details.

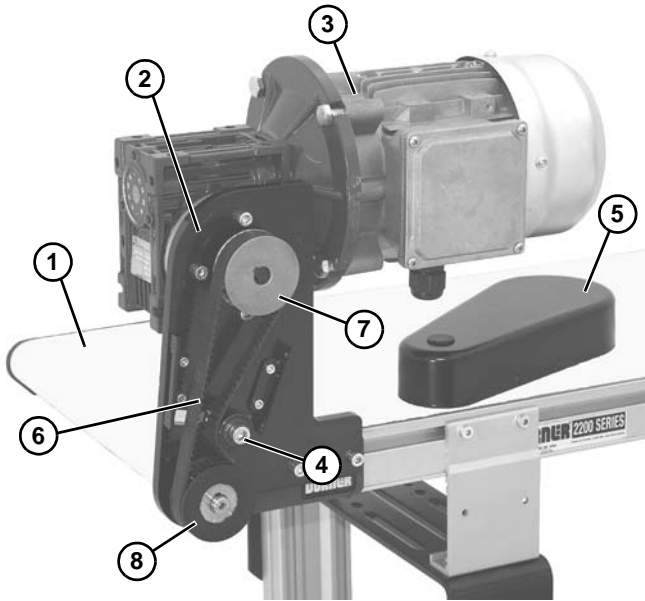
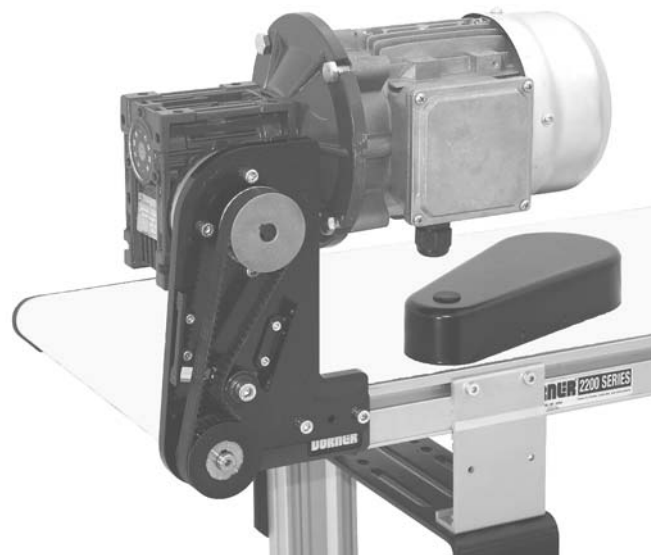


Figure 1



Mount Packages with Old Style Gearmotors prior to June 2011

Figure 2



Mount Package with e-Drive Gearmotors

Figure 3

Gearmotor Mounting Package Models:

Example:

* See Ordering and Specifications Catalog for details.

22 M T H S W W A - 32 32

- Driven Pulley (see Table 2 & 3)
- Drive Pulley (see Table 2 & 3)
- Belt Type: - = flat belt, A through J = cleated belt
- Mount Position = A, B, C or D (see detail to the right)
- Conveyor Width Reference*
- Gearmotor Type: S = Standard Load
B = Brushless DC
K = Indexing / VFD
- Output Shaft Type
E = 90° e-Drive
H = 90° Old-Style Gearmotors prior to June 2011
- Mount Style = Top Mount
- Language Code
M = U.S. English
U = CE English
- 2 = 2100 Series Conveyor
- 22 = 2200 & 2300 Series Conveyor
- 4 = 4100 Series Conveyor
- 6 = 6200 Series Conveyor
- 2P = MPB Series Conveyor

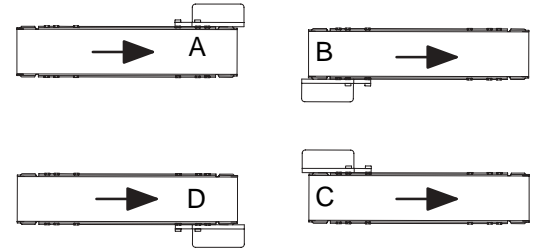


Table 1: Gearmotor Specifications

U.S. Version

	Single Phase	Three Phase	DC Variable Speed	Brushless DC
Output Power	0.25 hp (0.19 kw)			
Input Voltage	115 Volts A.C.	208 to 230/460 Volts A.C.	130 Volts D.C.	*115/230 Volts D.C.
Input Frequency	60 Hz		N/A	60 Hz
Input Current	5.0 Amperes	1.2 /0.6 Amperes	2.2 Amperes	8.8 / 3.4 Amperes
Motor RPM	1725		2500	3000
Gearmotor Ratios	5:1, 10:1, 20:1, 40:1, 60:1			
Frame Size	NEMA 42 CZ			
Motor Type	Totally Enclosed, Fan-cooled			Totally Enclosed, Non-ventilated

* Controller Inputs

CE Version

	Single Phase	Three Phase	VFD Variable Speed
Output Power	0.18 kw		
Input Voltage	230 Volts A.C.	230/400 Volts A.C.	230 Volts A.C.
Input Frequency	50 Hz		25 to 63 Hz
Input Current	1.6 Amperes	1.4 /0.8 Amperes	1.4 Amperes
Gearmotor Ratios	5:1, 10:1, 20:1, 40:1, 60:1		
Protection Rating	IP55		
Frame Size	IEC 63 B5		

Specifications

Table 2: RPM/Torque for Standard Load Fixed Speed 90° Gearmotors

U.S. Version (60 Hz Gearmotors)

Gearmotors			
Part Number	RPM	In lb	N-m
32M060EL4(vp)F(n)	29	319	36
32M040EL4(vp)F(n)	43	238	26.9
32M020EL4(vp)F(n)	86	142	16
32M010EL4(vp)F(n)	173	77	8.7
32M005EL4(vp)F(n)	345	40	4.5

(vp) = voltage and phase

11 = 115 V, 1-phase

23 = 208–230/460 V, 3-phase

(n) = Reversing Capability

N = No Reversing switch

R = With reversing switch

* = Nosebar transfers operate at maximum 77 Ft/min (23.5 M/min) belt speed

CE Version (50 Hz Gearmotors)

Gearmotors		
Part Number	RPM	N-m 1-phase/3-phase
62Z060ES4(vp)FN	23	36/36
62Z040ES4(vp)FN	35	26.9/35.5
62Z020ES4(vp)FN	70	16/21.2
62Z010ES4(vp)FN	140	11.4/17.3
62Z005ES4(vp)FN	280	4.5/5.9

(vp) = voltage and phase

21 = 230 V, 1-phase

23 = 230 V, 3-phase

43 = 400 V, 3-phase

**Table 3: RPM/Torque for Standard Load Variable Speed 90° DC Gearmotors
U.S. Version (60 Hz Gearmotors)**

Gearmotors			
Part Number	RPM	In-lb	N-m
32M060ELD3DEN	5-42	198	22.4
32M040ELD3DEN	8-63	163	18.4
32M020ELD3DEN	15-125	98	11.1
32M010ELD3DEN	30-250	54	6.1
32M005ELD3DEN	60-500	28	3.2

* = Nosebar transfers operate at maximum 77 Ft/min (23.5 M/min) belt speed

CE Version (50 Hz Gearmotors)

Gearmotors		
Part Number	RPM	N-m 1-phase/3-phase
62Z060ES423EN	9-23	36/36
62Z040ES423EN	14-35	26.9/35.5
62Z020ES423EN	28-70	16/21.2
62Z010ES423EN	56-140	11.4/17.3
62Z005ES423EN	111-280	4.5/5.9

Table 4: Belt Speeds for Brushless 90° Gearmotors

Gearmotors			
Part Number	RPM	In-lb	N-m
62M060ESBDDEN	2-50	106	12.4
62M040ESBDDEN	3-75	123	14.3
62M020ESBDDEN	5-150	89	10.4
62M010ESBDDEN	10-300	49	5.7
62M005ESBDDEN	20-600	25	2.9

NOTE

For belt speed other than those listed, contact factory for details.

Specifications

Table 5: Pulley Ratio / Timing Belt Number

Motor (Drive) Pulley Teeth	Conveyor (Driven) Pulley Teeth	Pulley Ratio	Timing Belt	
			2200/ MB/MPB	4100/6200
22	28	0.79	N/A	814-104
22	32	0.69	814-105	814-105
28	22	1.27	N/A	N/A
28	32	0.88	814-065	N/A
32	19	1.68	N/A	814-104
32	22	1.45	814-105	814-105
32	28	1.14	814-065	N/A
32	32	1.00	N/A	814-112
44	19	2.32	N/A	N/A
44	22	2.00	814-101	814-112
44	28	1.57	814-101	814-108
44	32	1.38	814-108	814-064
48	19	2.53	N/A	814-112
48	22	2.18	814-101	814-112
48	28	1.71	814-108	814-064
48	32	1.50	814-064	814-064
60	19	3.16	N/A	814-064
60	22	2.73	814-064	814-064
60	28	2.14	814-099	814-099
60	32	1.88	814-099	814-099

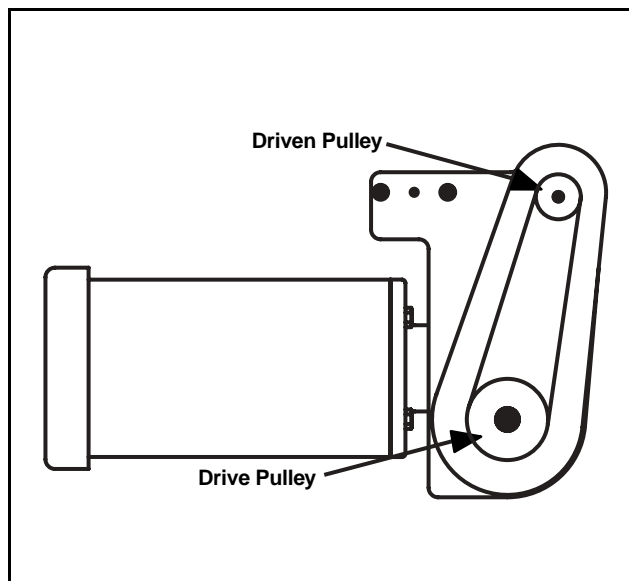


Figure 4

Table 6: Conveyor Belt Speed Factor

Series	Ft/revolution	M/revolution
2200 / 2300	0.350	0.107
2100 / 4100 / 6100 / 6200	0.278	0.085
2200 MPB	0.590	0.180
2200 Precision Move	0.394	0.120
2200 / 2300 Modular Belt	0.394	0.120

Belt Speed Calculation:

How to Calculate Belt Speed

1. Determine gearmotor RPM from tables 2-4.
2. Determine the pulley kit ratio. Count the number of teeth on the drive and driven pulleys following figure 2. Using table 5, look up pulley ratio based on pulley combinations.
3. Determine conveyor speed factor using table 6. Based on your conveyor type, select the appropriate factor.
4. Calculate belt speed:

Example: Belt Speed = Gearmotor RPM (tables 2-4) x Pulley Kit Ratio (table 5) x Conveyor Speed Factor (table 6).

2200 Series standard load variable speed 60:1 gearmotor with 22 tooth sprocket on gearmotor (Drive) and 32 tooth sprocket on the conveyor output shaft (Driven).




Gearmotor =	32M060ELD3DEN	= 5 - 42 RPM
Pulley Kit =	22 t mtr. - 32 t conv.	= 0.69
Speed Factor =	2200 Series	= 0.350 ft/min per RPM
Minimum Belt Speed =	5 x 0.69 x 0.350	= 1.2 Ft/min
Maximum Belt Speed =	42 x 0.69 x 0.350	= 10.1 Ft/min

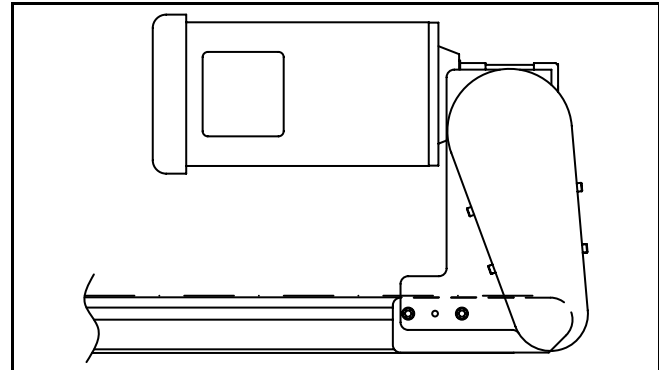
Installation

Required Tools

- Hex key wrenches:
2 mm, 2.5 mm, 3 mm, 5 mm
- Straight edge
- Torque wrench

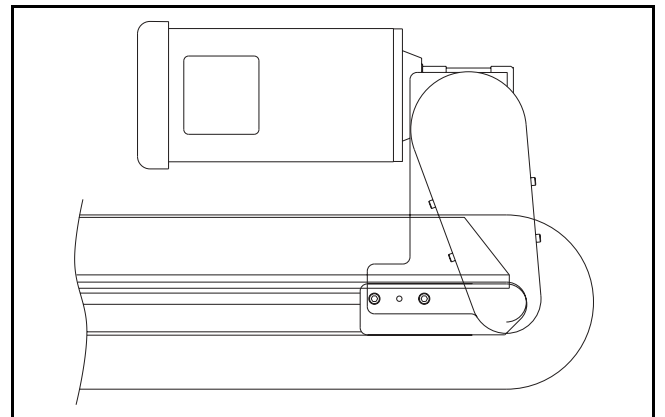
Mounting

⚠ WARNING

Exposed moving parts can cause severe injury. LOCK OUT POWER before removing guards or performing maintenance.
⚠ WARNING

MPB Series Conveyors are not reversible. Reversing creates pinch points which can cause severe injury. DO NOT REVERSE MPB SERIES CONVEYORS.
⚠ WARNING

Gearmotors must be mounted as shown in Figure 5, Figure 6 and Figure 7. Failure to do so creates pinch points which can cause severe injury.
NOTE
<i>Gearmotor position on Flat Belt conveyors shown in Figure 5. Gearmotor position on Cleated Belt Figure 6 and MPB Series conveyors shown in Figure 7.</i>



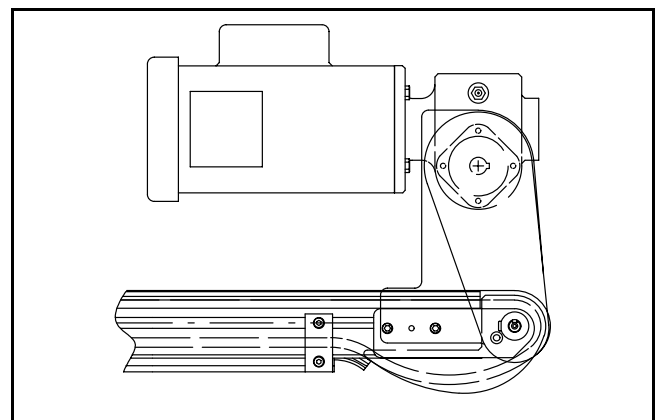
Flat Belt Conveyor

Figure 5



Cleated Belt Conveyor

Figure 6



MPB Series Conveyor

Figure 7

Installation

Installation Component List:

1	Top Mount Assembly
2	Drive Pulley
3	Cover
4	M4 Socket Head Screws (4x)
5	Driven Pulley
6	Key
7	M6 Socket Head Screws (2x)
8	Timing Belt

1. Typical gearmotor components (Figure 8)

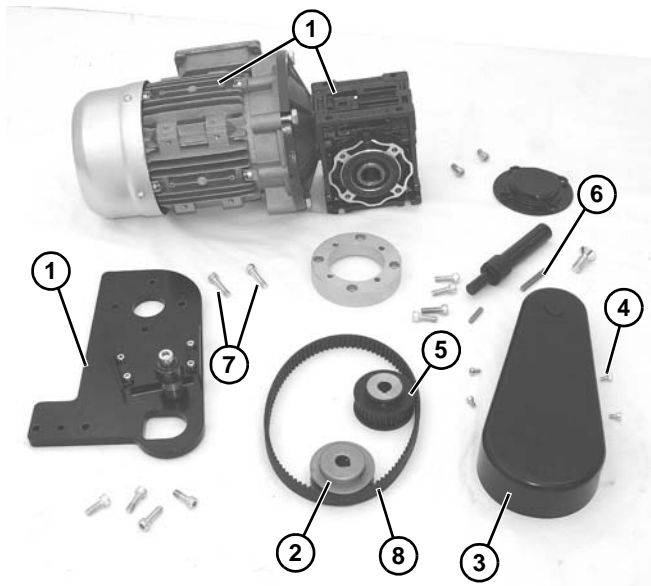
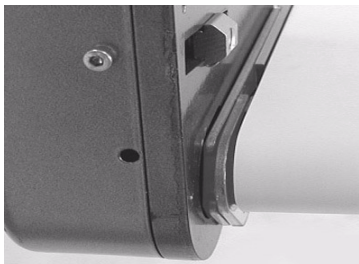


Figure 8

NOTE

Flat belt mounting package shown above (Figure 8), cleated belt mounting package similar.

- For your reference, the following figures show gearmotor mounting configurations for various conveyor series.
 - For 2100, 2200, and MPB models, gearmotor and drive plate are mounted to head plate (Figure 9, item 1), (Figure 10, item 1), and (Figure 11, item 1).



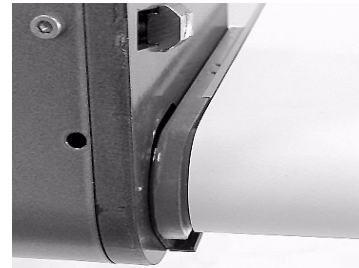
2100 Series

Figure 9



MPB Series

Figure 10



2200 Series

Figure 11

- For 6200 series models, gearmotor is mounted to drive spacer (Figure 12, item 1).



6200 Series

Figure 12

- For 4100 series models, gearmotor is mounted to drive adapter plate (Figure 13, item 1).



4100 Series

Figure 13

NOTE

Gearmotor may be operated in positions 1, 2 or 3 (**Figure 14**). Dependent on conveyor belt speed and gearmotor type, position 2 may require a vibration dampening bracket. Order 7018WW for 2200 and MPB conveyors or 7019WW for 2100 and 6200 conveyors. (WW = conveyor width). 4100 conveyors do not require brackets.

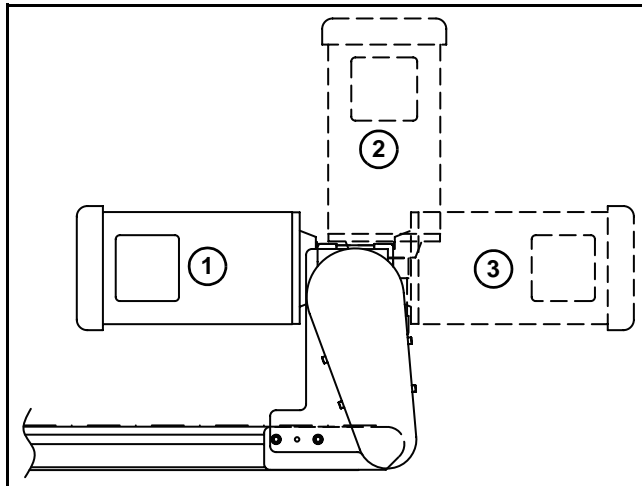


Figure 14

3. If required, change gearmotor position by removing four (4) screws (**Figure 15, item 1**). Rotate gearmotor to other position and replace screws (**Figure 15, item 1**). Tighten to 103 in-lb (12 N-m).

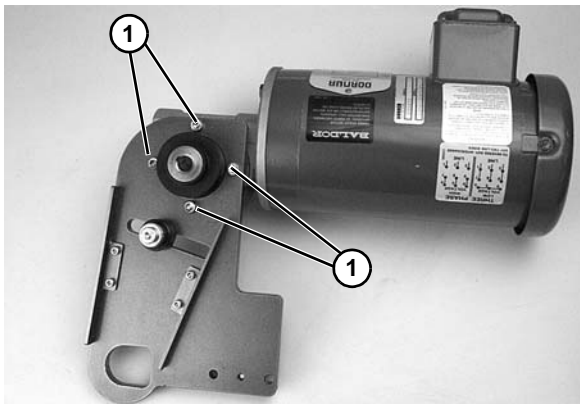


Figure 15

NOTE

6200 conveyor shown, 2100, 2200, 4100 & MPB similar.

4. Locate drive output shaft (**Figure 16, item 1**) and remove two (2) screws (**Figure 16, item 2**).

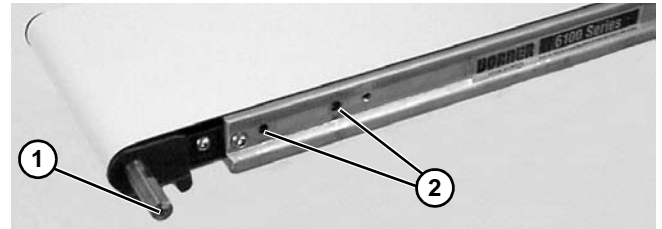


Figure 16

5. Install M6x8 socket head screw (**Figure 17, item 1**) and washer.

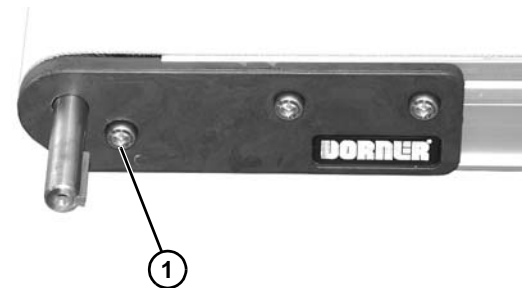


Figure 17

6. Attach mount assembly (**Figure 18, item 1**) with screws (**Figure 18, item 2**). Tighten to 80 in-lb (9 N-m).

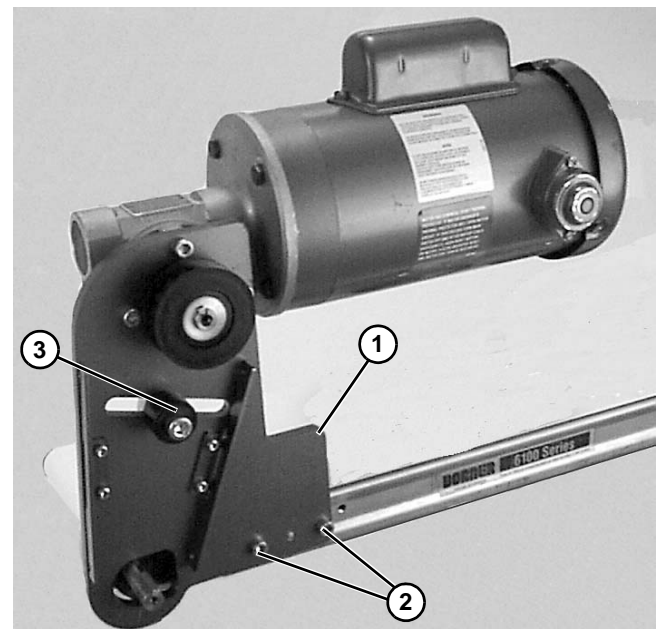


Figure 18

Installation

⚠ WARNING

<p>Drive shaft keyway may be sharp. HANDLE WITH CARE.</p>

7. Install key (Figure 19, item 1).

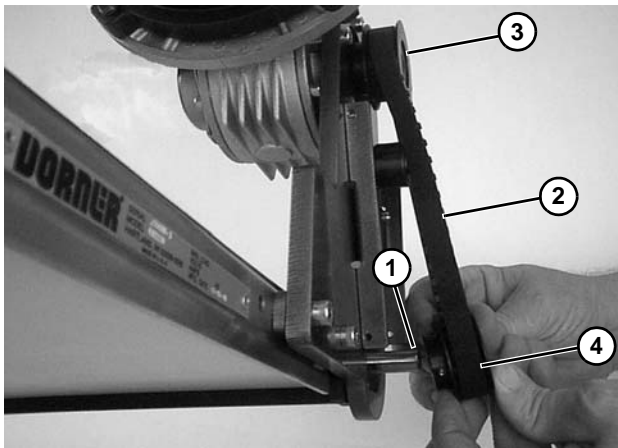


Figure 19

8. Wrap timing belt (Figure 19, item 2) around driven pulley (Figure 19, item 3) and drive pulley (Figure 19, item 4). Install driven pulley (Figure 19, item 3) onto conveyor shaft.
9. Remove cam bearing and spacer (Figure 18, item 3). Place the cam bearing and spacer (Figure 18, item 3) next to the driven pulley (Figure 20, item 1). Ensure the flanges of the driven pulley are aligned with the cam bearing. Tighten driven pulley set screws (Figure 20, item 2). This will allow for proper belt alignment while conveyor is in use. Replace cam bearing and spacer (Figure 20, item 3).

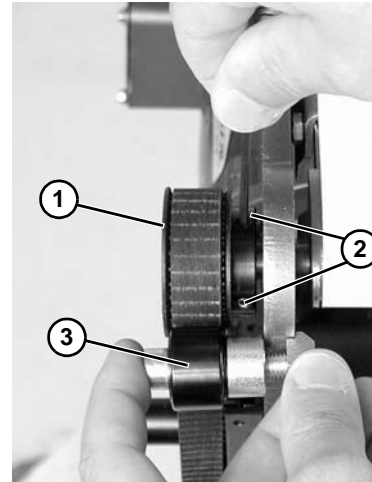


Figure 20

10. Depending on conveyor belt travel (direction 1 or 2 on Figure 21), locate timing belt tensioner (Figure 21, item 3) as shown. Tension timing belt to obtain 0.125" (3 mm) deflection for 1.0 lb (456 grams) of force at timing belt mid-point (Figure 21, item 4). Tighten tensioner screw to 103 in-lb (12 N-m).

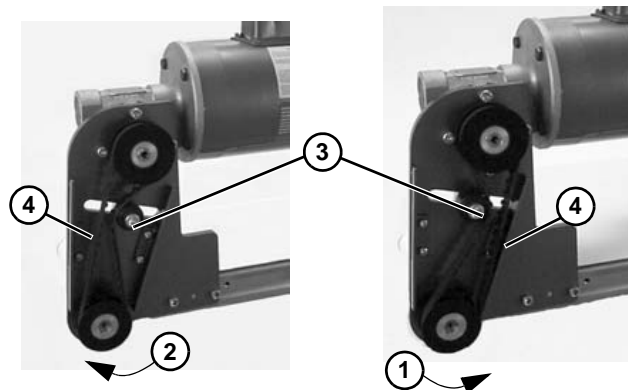


Figure 21

11. Install cover (Figure 22, item 1) with four (4) screws (Figure 22, item 2). Tighten to 35 in-lb (4 N-m).

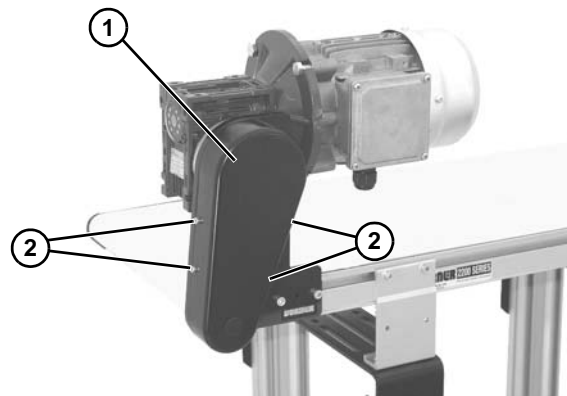



Figure 22

Preventive Maintenance and Adjustment

Required Tools

- Hex key wrenches:
2 mm, 2.5 mm, 3 mm & 5 mm
- Adjustable wrench (for hexagon head screws)
- Straight edge
- Torque wrench

Timing Belt Tensioning

⚠ WARNING

Exposed moving parts can cause severe injury. LOCK OUT POWER before removing guards or performing maintenance.

1. Remove four (4) screws (**Figure 22, item 2**) and remove cover (**Figure 22, item 1**).
2. Loosen tensioner (**Figure 23, item 1**).

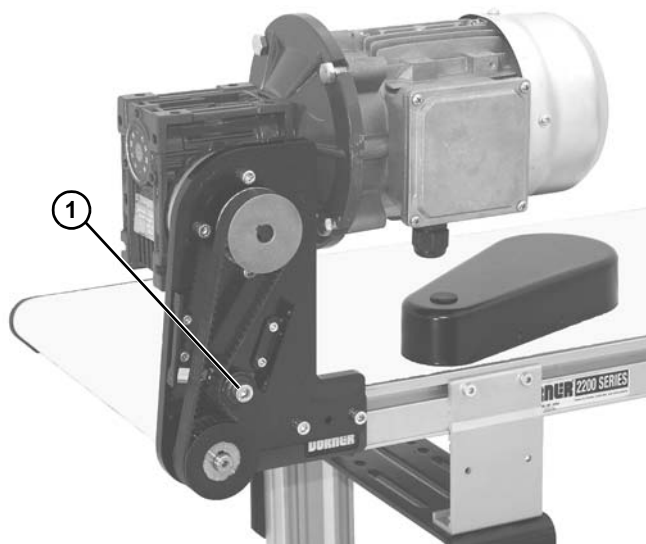



Figure 23

3. Depending on conveyor belt travel (direction 1 or 2 on **Figure 21**), locate timing belt tensioner (**Figure 21, item 3**) as shown. Tension timing belt to obtain 0.125" (3 mm) deflection for 1.0 lb (456 grams) of force at timing belt mid-point (**Figure 21, item 4**). Tighten tensioner screw to 103 in-lb (12 Nm).
4. Install cover (**Figure 22, item 1**) with four (4) screws (**Figure 22, item 2**). Tighten to 35 in-lb (4 Nm).

Timing Belt Replacement

⚠ WARNING

Exposed moving parts can cause severe injury. LOCK OUT POWER before removing guards or performing maintenance.

1. Remove four (4) screws (**Figure 22, item 2**) and remove cover (**Figure 22, item 1**).
2. Loosen tensioner (**Figure 23, item 1**).
3. Remove timing belt (**Figure 24, item 1**).

NOTE
<i>If timing belt does not slide over pulley flange, loosen driven pulley set screws (Figure 24, item 2) and remove pulley with belt ((Figure 24, item 1). For re-installation, see steps 7 and 8 on page 12.</i>

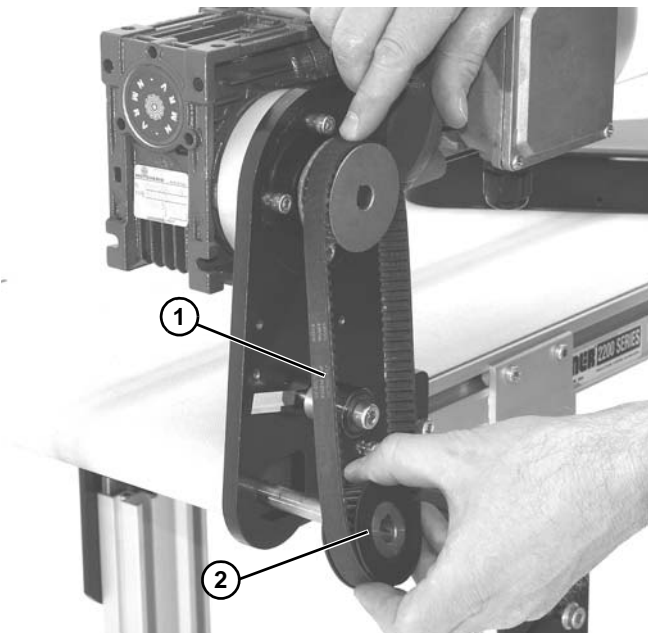


Figure 24

4. Install new timing belt.
5. Depending on conveyor belt travel (direction 1 or 2 on **Figure 21**), locate timing belt tensioner (**Figure 21, item 3**) as shown. Tension timing belt to obtain 0.125" (3 mm) deflection for 1.0 lb (456 grams) of force at timing belt mid-point (**Figure 21, item 4**). Tighten tensioner screw to 103 in-lb (12 N-m).
6. Install cover (**Figure 22, item 1**) with four (4) screws (**Figure 22, item 2**). Tighten to 35 in-lb (4 Nm).

Preventive Maintenance and Adjustment

Drive or Driven Pulley Replacement

⚠ WARNING



Exposed moving parts can cause severe injury. LOCK OUT POWER before removing guards or performing maintenance.

1. Complete steps 1 through 3 of “Timing Belt Replacement” section on page 13.
2. Loosen set screws and remove drive or driven pulley.

NOTE

If drive pulley (**Figure 27, item 1**) is replaced, wrap timing belt around drive pulley and complete step 3.

3. Complete steps 7 through 10 of “Installation” section on page 12.

Gear Reducer Replacement

⚠ WARNING



Exposed moving parts can cause severe injury. LOCK OUT POWER before removing guards or performing maintenance.

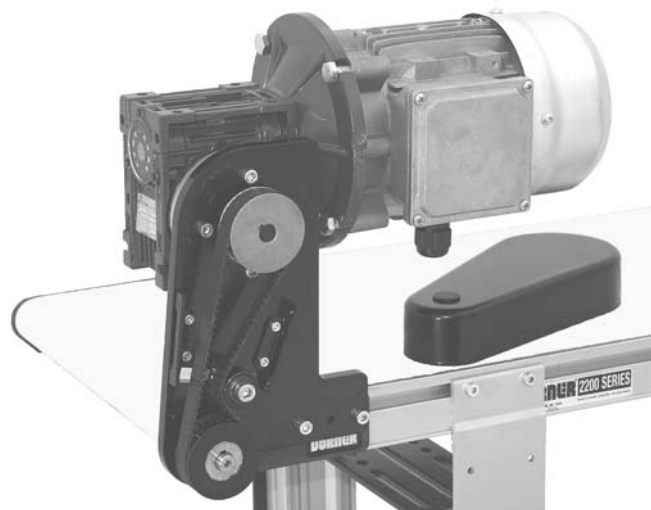
NOTE

The 90° industrial gearhead changed configuration in 2011. See below for configuration details. See Service Parts section to ensure proper replacement parts are installed.



Old Style Gearmotor prior to June 2011

Figure 25



e-Drive Gearmotor

Figure 26

1. Remove four (4) screws (**Figure 22, item 2**) and remove cover (**Figure 22, item 1**).
2. Loosen tensioner (**Figure 23, item 1**).
3. Loosen drive pulley set screws on drive pulley (**Figure 27, item 1**). Remove drive pulley and timing belt (**Figure 27, item 2**).

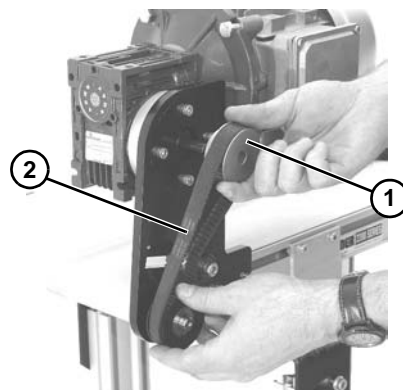


Figure 27

Preventive Maintenance and Adjustment

4. Remove four (4) gear reducer mounting screws (**Figure 28, item 1**). Remove gearmotor.

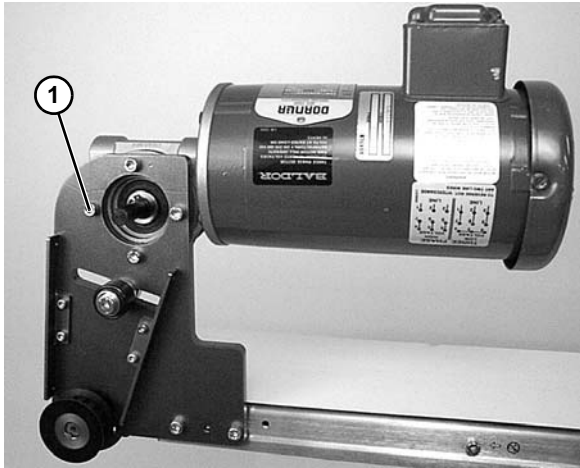


Figure 28

5. Remove four screws (**Figure 29, item 1**). Detach motor (**Figure 29, item 2**) from gear reducer (**Figure 29, item 3**). Retain motor output shaft key (**Figure 29, item 4**).

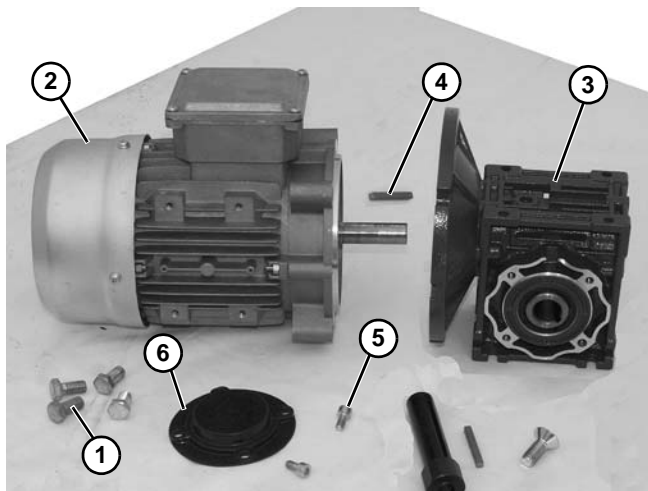


Figure 29

6. Remove two (2) screws (**Figure 29, item 5**) and detach output shaft cover (**Figure 29, item 6**).

For eDrive style gearmotor

1. Hold the driveshaft with a wrench (**Figure 30, item 1**) as shown to keep shaft from turning, while removing screw (**Figure 30, item 2**) with hex wrench (**Figure 30, item 3**).

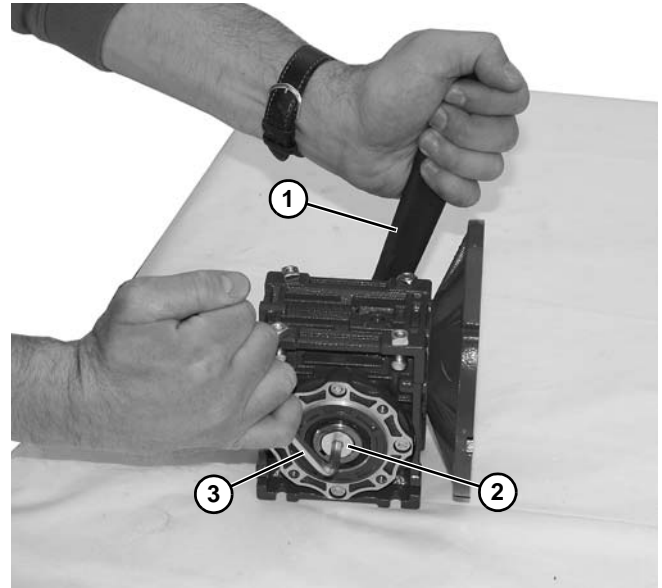


Figure 30

2. Remove driveshaft (**Figure 31, item 1**) and key (**Figure 31, item 2**).

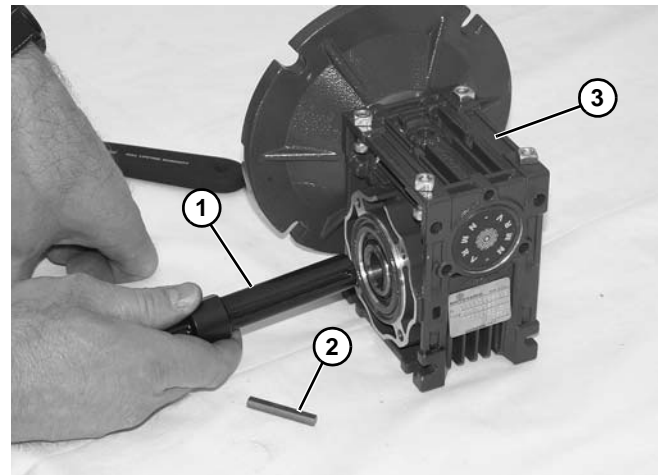


Figure 31

3. Replace gear reducer (**Figure 31, item 3**).
4. Apply anti-seize (**Figure 32, item 1**) to shaft.

Preventive Maintenance and Adjustment

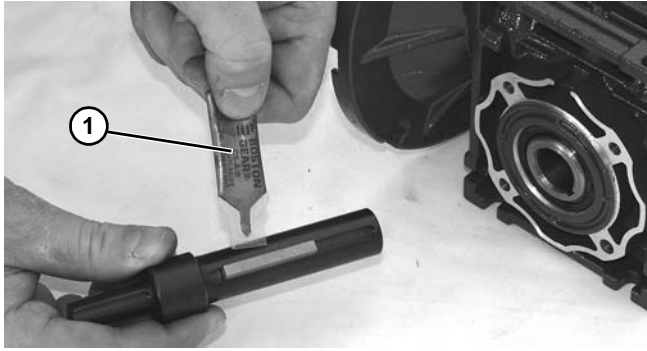


Figure 32

5. Replace the original shaft components into new gear reducer (**Figure 31**).

IMPORTANT

Be extremely careful when coupling motor to gear reducer. Avoid misalignment and forcing the connection causing possible permanent gear reducer seal damage.

6. Hold the driveshaft with a wrench (**Figure 30, item 1**) as shown to keep shaft from turning, while installing screw with hex wrench (**Figure 30, item 3**). Tighten screw to 100 in-lb (11.5 Nm) for 42CZ or 350 in-lb (39.5 Nm) for 56C, 63B5 and 71B5.
7. Apply anti-seize to motor shaft before assembling to gearbox. With key (**Figure 29, item 4**) in keyway, slide motor (**Figure 29, item 2**) and gear reducer (**Figure 29, item 3**) together. Install screws (**Figure 29, item 1**) and tighten.
8. Install output shaft cover (**Figure 29, item 6**) and secure with two (2) screws (**Figure 29, item 5**).
9. Reverse steps 1 through 4 beginning on page 16.

NOTE

*Gearmotor position on Flat Belt conveyors shown in **Figure 5**. Gearmotor position on Cleated Belt and MPB Series conveyors shown in **Figure 6** and **Figure 7** on page 11*

10. Install gearmotor to mounting bracket and tighten screws (**Figure 28, item 1**) to 103 in-lb (12 Nm).
11. Complete installation steps 7 through 10 of "Installation" section on pages 14.

For old style gearmotor prior to June 2011

1. Loosen six (6) set screws (**Figure 33, item 1**). Remove drive shaft (**Figure 33, item 2**) and key (**Figure 33, item 3**).

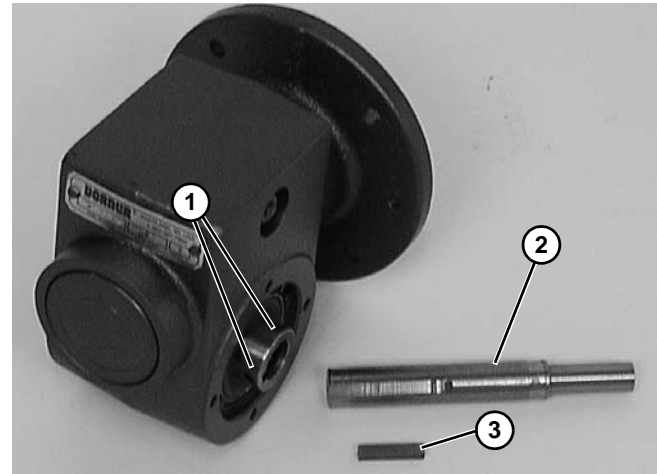


Figure 33

2. Apply anti-seize (**Figure 34, item 1**) to shaft.

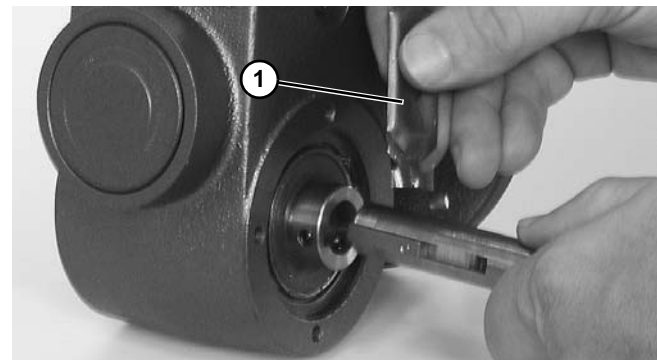


Figure 34

3. Replace the original shaft components into new gear reducer (**Figure 33**).



IMPORTANT

Be extremely careful when coupling motor to gear reducer. Avoid misalignment and forcing the connection causing possible permanent gear reducer seal damage.

4. Apply anti-seize to motor shaft before assembling to gearbox. With key (**Figure 29, item 4**) in keyway, slide motor (**Figure 29, item 2**) and gear reducer (**Figure 29, item 3**) together. Install screws (**Figure 29, item 1**) and tighten.
5. Install output shaft cover (**Figure 29, item 6**) and secure with two (2) screws (**Figure 29, item 5**).
6. Reverse steps 1 through 4 beginning on page 16.
7. Complete installation steps 7 through 10 of "Installation" section on pages 14.

Preventive Maintenance and Adjustment

Motor Replacement

⚠ WARNING

Exposed moving parts can cause severe injury. LOCK OUT POWER before removing guards or performing maintenance.
⚠ DANGER

Hazardous voltage will cause severe injury or death. LOCKOUT POWER BEFORE before wiring.

Single Phase Motor

1. For single phase motor, unplug power cord from outlet.

Three Phase Motor

1. Loosen terminal box screws (Figure 35, item 1) and remove cover (Figure 35, item 2).

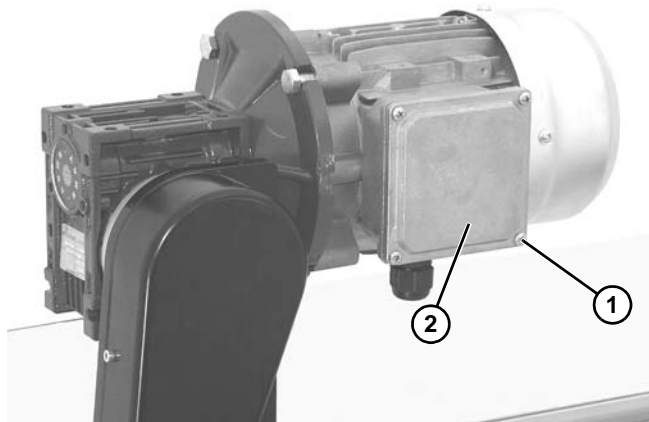


Figure 35

2. Record wire colors connecting to wires 1, 2 and 3. Loosen wire nuts and remove wires 1, 2 and 3.
3. Loosen cord grip and remove cord.

DC Variable Speed Motor

1. For DC variable speed motor, unplug motor cord at disconnect (Figure 36, item 1).

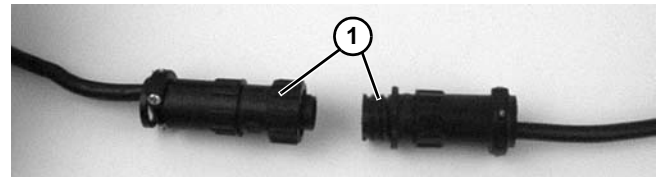


Figure 36

Brushless Motor

1. Twist covers (Figure 37, item 1) apart.

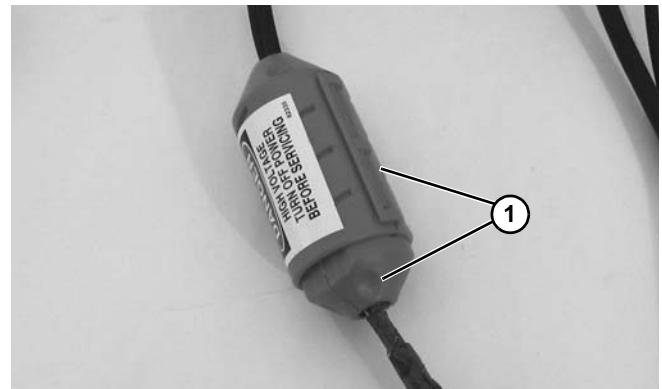


Figure 37

2. Remove outer cord cover (Figure 38, item 1) from inner cord cover (Figure 38, item 2).

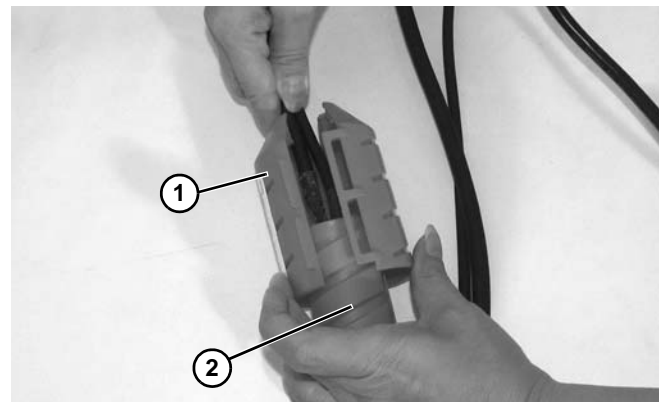


Figure 38

Preventive Maintenance and Adjustment

3. Open inner cord cover (Figure 39, item 1).

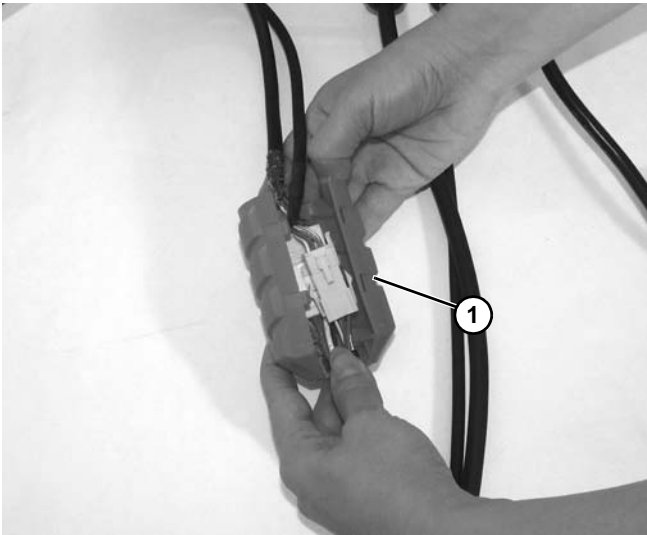


Figure 39

4. Unplug motor cord connectors (Figure 40, item 1) and signal cable connectors (Figure 40, item 2).

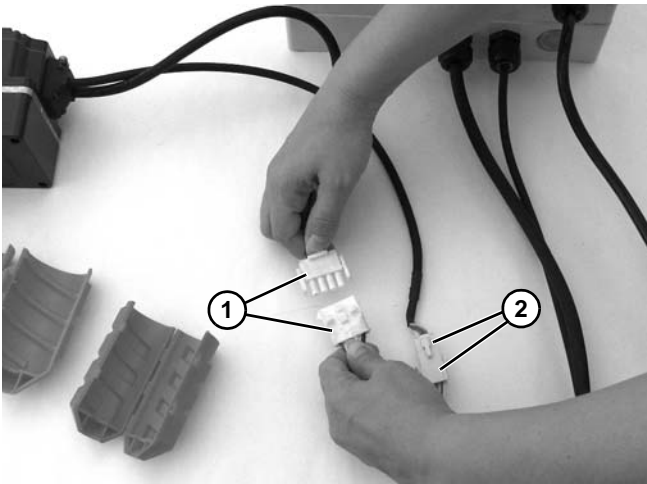


Figure 40

All Models

1. Remove four screws (Figure 41, item 1). Detach motor (Figure 41, item 2) from gear reducer (Figure 41, item 3). Retain motor output shaft key (Figure 41, item 4).

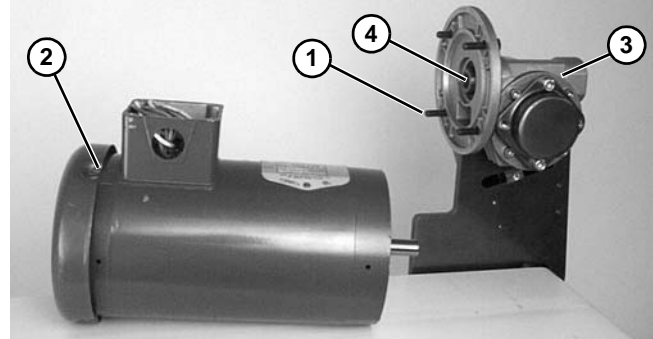


Figure 41

IMPORTANT

Be extremely careful when coupling motor to gear reducer. Avoid misalignment and forcing the connection causing possible permanent gear reducer seal damage.

2. Apply anti-seize to motor shaft before assembling to gearbox. With key (Figure 42, item 1) in keyway, slide motor and gear reducer together. Install screws (Figure 42, item 2) and tighten.

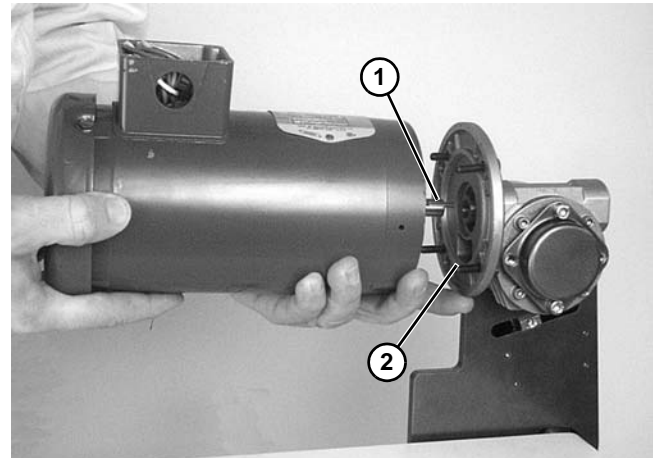



Figure 42

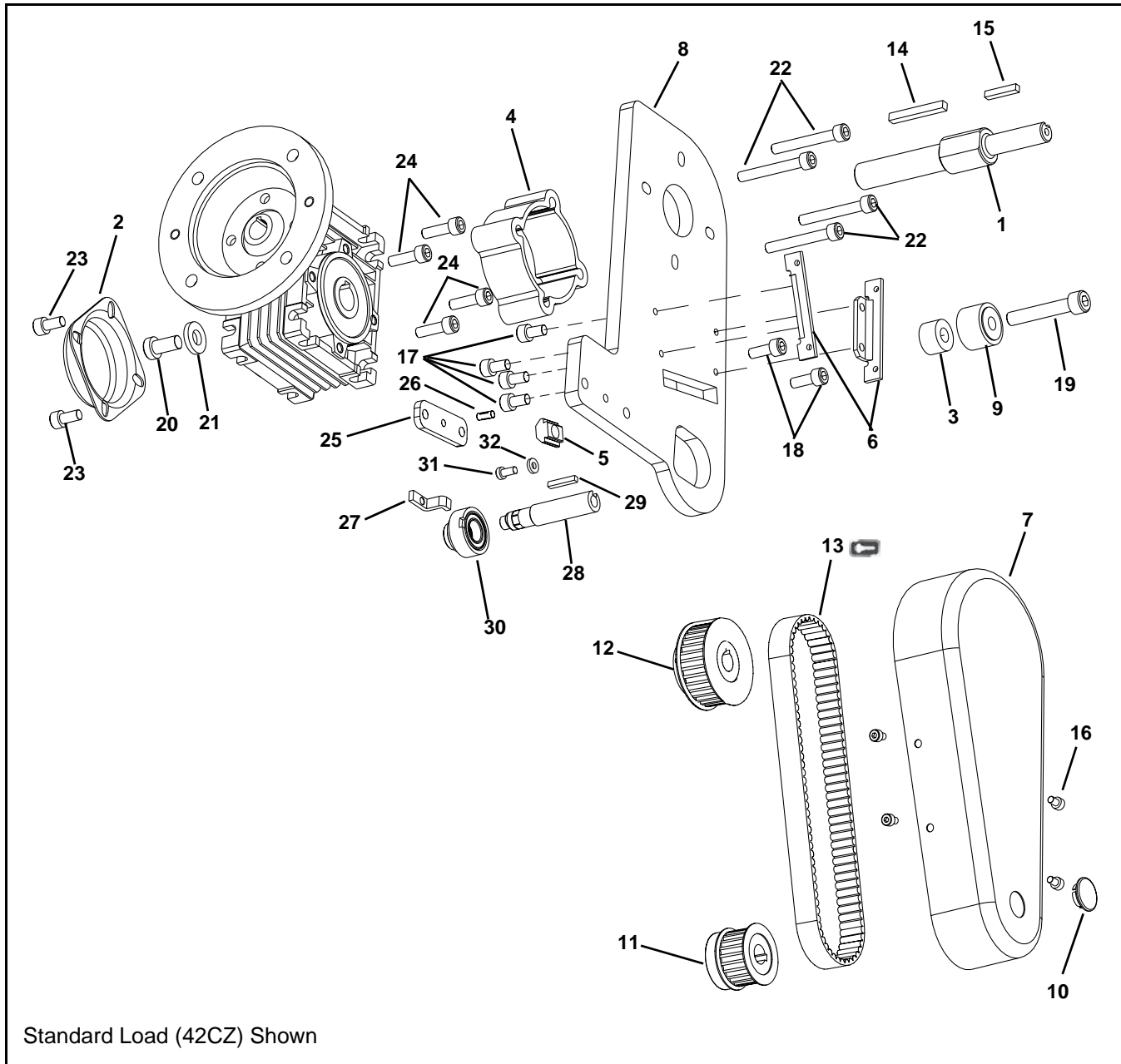
3. Replace wiring:
 - For a single phase motor, reverse step 1 in “Single Phase Motor” on page 17.
 - For a three phase motor, reverse steps 1-3, in “Three Phase Motor” on page 17.
 - For a DC variable speed motor, reverse step 1 on “DC Variable Speed Motor” on page 17.
 - For a brushless motor, reverse steps 1-2 on “Brushless Motor” on page 17.

Service Parts

NOTE

For replacement parts other than those shown in this section, contact an authorized *Dorner Service Center* or the factory. Key Service Parts and Kits are identified by the Performance Parts Kits logo . Dorner recommends keeping these parts on hand.

2100, 2200, 2300, 4100, 6200 Series and MPB Series Flat Belt Conveyors Top Mount Drive Package for Standard Load 90° Industrial Gearmotors



Service Parts

Item	Part Number	Description
1	202272	Drive Shaft (for E-Drive 42CZ C Face Gearmotors)
	350122	Drive Shaft (for E-Drive 56 C Face Gearmotors)
	350136	Drive Shaft (for E-Drive IEC 63B5 and IEC 71B5 Gearmotors)
2	807-2059	Drive-Bearing Shaft Cover (for E-Drive 42CZ C Face Gearmotors)
	807-2016	Drive-Bearing Shaft Cover (for E-Drive 56 C Face, IEC 63B5 and IEC 71B5 Gearmotors)
	300139	Drive-Bearing Shaft Cover (for Old Style Gearmotors, Prior to June 2011)
3	450445	Spacer
4	202270-00113	Adapter (for E-Drive 42CZ C Face Gearmotors)
	350115	Adapter (for E-Drive 56 C Face, IEC 63B5 and IEC 71B5 Gearmotors)
5	202390M	Nut Follower
6	450375M	Cam Mounting Cover Bracket
7	450376M	Drive Guard
8	450443M	Mounting Plate
	202283	Mounting Plate (Flush Mount Only)
9	802-046	Bearing
10	807-226	Snap-out Plastic Plug
11	450365MP	Driven Pulley, 19 Tooth
	450366MP	Driven Pulley, 22 Tooth
	450367MP	Driven Pulley, 28 Tooth
	450368MP	Driven Pulley, 32 Tooth
	243325	Driven Pulley, 16 Tooth (Flush Mount Only)
12	450365MP	Drive Pulley, 19 Tooth
	450366MP	Drive Pulley, 22 Tooth
	450367MP	Drive Pulley, 28 Tooth
	450368MP	Drive Pulley, 32 Tooth
	450369MP	Drive Pulley, 44 Tooth
	450370MP	Drive Pulley, 48 Tooth
	450371MP	Drive Pulley, 60 Tooth
13	814-104	Timing Belt, 15 mm W x 450 mm L
	814-105	Timing Belt, 15 mm W x 460 mm L
	814-065	Timing Belt, 15 mm W x 475 mm L
	814-112	Timing Belt, 15 mm W x 495 mm L
	814-101	Timing Belt, 15 mm W x 500 mm L
	814-108	Timing Belt, 15 mm W x 520 mm L
	814-064	Timing Belt, 15 mm W x 535 mm L
	814-099	Timing Belt, 15 mm W x 565 mm L
	14	912-084
980636M		Square Key, 6 mm x 36 mm (for E-Drive IEC 63B5 and IEC 71B5 Gearmotors)
15	980428M	Square Key, 4 mm x 28 mm
16	920406M	Socket Head Screw, M4-0.70 x 6 mm
17	920481M	Socket Head Screw, M4-0.70 x 8 mm
	920408M	Socket Head Screw, M4-0.70 x 8 mm (Flush Mount Only)
18	920625M	Socket Head Screw, M6-1.00 x 25 mm
	920630M	Socket Head Screw, M6-1.00 x 30 mm (6200 Series)

Item	Part Number	Description
19	920840M	Socket Head Screw, M8-1.25 x 40 mm
20	950816M	Low Head Cap Screw, M8-1.25 x 16 mm (for E-Drive 42CZ C Face Gearmotors)
	931020MSS	Flat Head Screw M10-1.50 x 20 mm (for E-Drive 56 C Face, IEC 63B5 and IEC 71B5 Gearmotors)
21	605280P	Washer
22	920694M	Low Head Cap Screw, M6-1.00 x 20 mm (2200 Series)
	920645M	Socket Head Screw, M6-1.00 x 45 mm (Flush Mount Only)
	920645M	Socket Head Screw, M6-1.00 x 45 mm (6200 Series)
23	920612M	Socket Head Screw, M6-1.00 x 12 mm
24	920620M	Socket Head Screw, M6-1.00 x 20 mm (for E-Drive 56 C Face, IEC 63B5 and IEC 71B5 Gearmotors)
25	450027M	Drive Spacer (6200 Series)
26	807-952	Groove Pin (6200 Series)
27	43-38-08	Outboard Retaining Clip (4100 Series)
28	43-38-1-05	Outboard Drive Shaft 1" (25 mm) Wide (4100 Series)
	216202M	Outboard Drive Shaft 2" (51 mm) Wide (4100 Series)
	216203M	Outboard Drive Shaft 3" (76 mm) Wide (4100 Series)
	216204M	Outboard Drive Shaft 4" - 12" (102 mm - 305 mm) Wide (4100 Series)
29	912-053	Square Key, 0.125" x 0.75" for 1" (25 mm) Wide (4100 Series)
	980422M	Square Key, 4 mm x 22 mm for 2" - 12" (51 mm - 305 mm) Wide (4100 Series)
30	43-38-1-11	Retaining Sleeve for 1" (25 mm) Wide (4100 Series)
	43-38-2-18	Retaining Sleeve for 2" - 12" (51 mm - 305 mm) Wide (4100 Series)
31	920608M	Socket Head Screw, M6-1.00 x 8 mm
32	807-2092	Washer

Service Parts

Pulley Ratio / Timing Belt Combinations

Motor (Drive) Pulley Teeth	Conveyor (Driven) Pulley Teeth	Pulley Ratio	Timing Belt	
			2200/MB/MPB	4100/6200
22	28	0.79	N/A	814-104
22	32	0.69	814-105	814-105
28	22	1.27	N/A	N/A
28	28	1.00	814-105	N/A
28	32	0.88	814-065	N/A
32	19	1.68	N/A	814-104
32	22	1.45	814-105	814-105
32	28	1.14	814-065	N/A
32	32	1.00	N/A	814-112
44	19	2.32	N/A	N/A
44	22	2.00	814-101	814-112
44	28	1.57	814-101	814-108
44	32	1.38	814-108	814-064
48	19	2.53	N/A	814-112
48	22	2.18	814-101	814-112
48	28	1.71	814-108	814-064
48	32	1.50	814-064	814-064
60	19	3.16	N/A	814-064
60	22	2.73	814-064	814-064
60	28	2.14	814-099	814-099
60	32	1.88	814-099	814-099

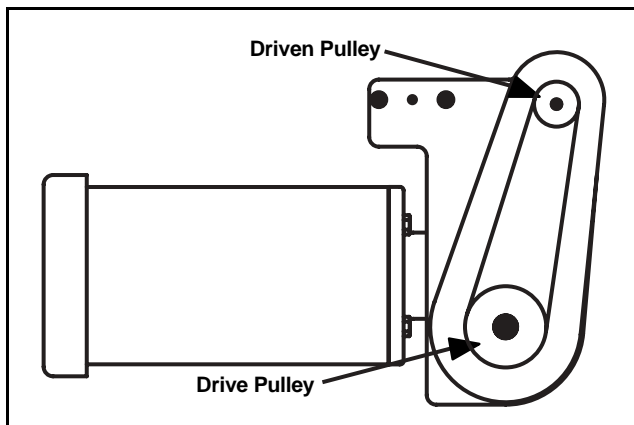
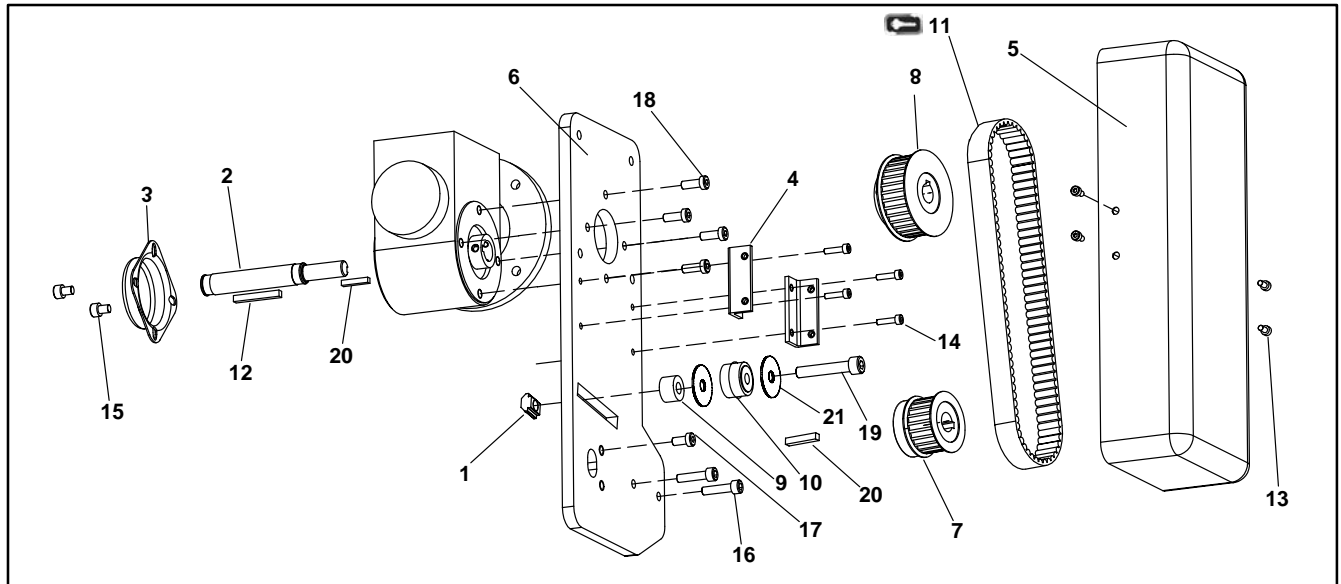


Figure 43

MPB Series Cleated Belt Conveyor Top Mount Drive Package for Standard Load 90° Industrial Gearmotors (Old Style Gearmotor Only)

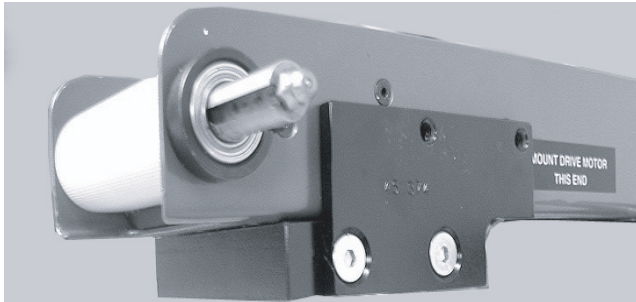
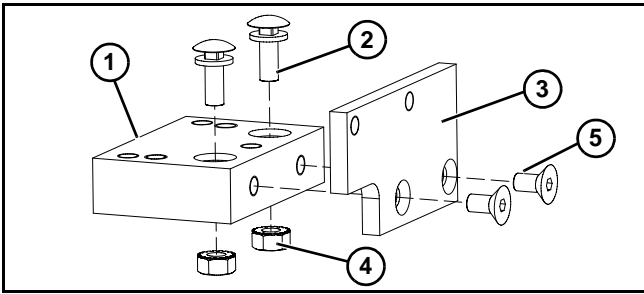


Item	Part Number	Description
1	202390M	Nut Follower Cam
2	450444M	Output Shaft, 12mm
3	300139	Drive Bearing Shaft Cover
4	243402	Mounting Cover Bracket
5	300871M	Drive Guard
6	243401	Mounting Plate
7	450366MP	Driven Pulley, 22Tooth
	450367MP	Driven Pulley, 28Tooth
	450368MP	Driven Pulley, 32Tooth
8	450365MP	Drive Pulley, 19Tooth
	450366MP	Drive Pulley, 22Tooth
	450367MP	Drive Pulley, 28Tooth
	450368MP	Drive Pulley, 32Tooth
	450369MP	Drive Pulley, 44Tooth
	450370MP	Drive Pulley, 48Tooth
	450371MP	Drive Pulley, 60Tooth
9	450445	Spacer
10	802-046	Bearing

Item	Part Number	Description
11	814-101	Timing Belt, 15mm W x 500mm L
	814-108	Timing Belt, 15mm W x 520mm L
	814-064	Timing Belt, 15mm W x 535mm L
	814-099	Timing Belt, 15mm W x 565mm L
	814-109	Timing Belt, 15mm W x 580mm L
	814-115	Timing Belt, 15mm W x 600mm L
	814-110	Timing Belt, 15mm W x 615mm L
12	912-084	Square Key, 0.188" x 1.50"
13	920408M	Socket Head Screw, M4 x 8mm
14	920416M	Socket Head Screw, M4 x 16mm
15	920608M	Socket Head Screw, M6 x 8mm
16	920625M	Socket Head Screw, M6 x 25mm
17	920692M	Stabilization Screw, M6 x 12mm Low Hd
18	920693M	Socket Head Screw, M6 x 16mm
19	920845M	Socket Head Screw, M8 x 45mm
20	980422M	Square Key, 4mm x 22mm
21	807-1133	Washer

Service Parts

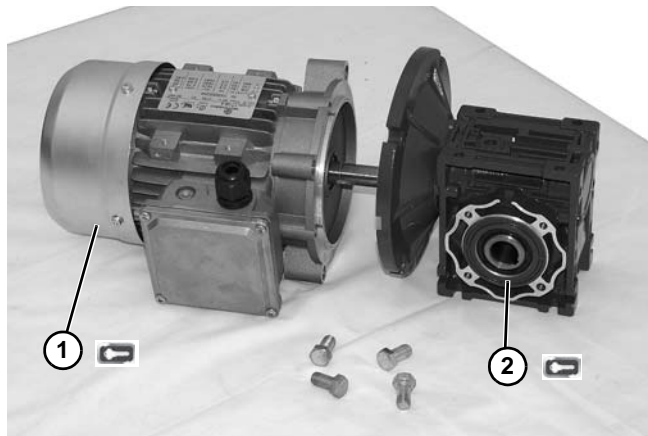
4100 Mounting Package



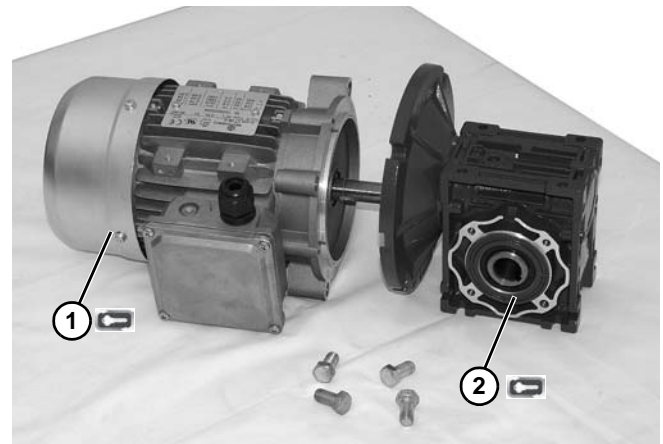
Mounting Package attached to a 4100 series conveyor.

Item	Part Number	Part Description
1	609486	Mounting Block 1" (25mm)
	609487	Mounting Block 2" (51mm)
	609488	Mounting Block 3" (76mm)
	609479	Mounting Block 4" (102mm)
	609480	Mounting Block 5" (127mm)
	609481	Mounting Block 6" (152mm)
	609482	Mounting Block 7" (178mm)
	609483	Mounting Block 8" (203mm)
	609484	Mounting Block 10" (254mm)
	609485	Mounting Block 12" (305mm)
2	613602P	Bolt & Flat Washer Assembly
3	450374	Drive Adapter Plate
4	910-126	Hex Nut with Lock Washer
5	930612M	Flat Head Screw M6 x 12mm

U.S. Version Gearmotors



CE Version Gearmotors



Item	Part Number	Part Description
1	62MES411FN	Motor, 0.25 hp (0.19 Kw) 115/230 Volts, 60 Hz, 1-Phase
	62MES423FN	Motor, 0.25 hp (0.19 Kw) 208-230/460 Volts, 60 Hz, 3-Phase
	62MSD3DEN	Motor, 0.25 hp (0.19 Kw) 130 Volts DC
	32MS423EI*	Motor, 0.25 Hp (0.19 Kw) 230/460 Volts DC, 60 Hz, 3-Phase Variable Frequency/Indexing
	62M060ESBDDEN	Motor, 0.25HP, (0.19 Kw), 50 RPM, Brushless DC
	62M040ESBDDEN	Motor, 0.25HP, (0.19 Kw), 75 RPM, Brushless DC
	62M020ESBDDEN	Motor, 0.25HP, (0.19 Kw), 150 RPM, Brushless DC
	62M010ESBDDEN	Motor, 0.25HP, (0.19 Kw), 300 RPM, Brushless DC
	62M005ESBDDEN	Motor, 0.25HP, (0.19 Kw), 600 RPM, Brushless DC
	2	32M005EL
32M010EL		Gear Reducer, 10:1, 42 CZ
32M020EL		Gear Reducer, 20:1, 42 CZ
32M040EL		Gear Reducer, 40:1, 42 CZ
32M060EL		Gear Reducer, 60:1, 42 CZ
32M005ES		Gear Reducer, 5:1, 56C (for motors with part numbers ending with EI or EN only)
32M010ES		Gear Reducer, 10:1, 56C (for motors with part numbers ending with EI or EN only)
32M020ES		Gear Reducer, 20:1, 56C (for motors with part numbers ending with EI or EN only)
32M040ES		Gear Reducer, 40:1, 56C (for motors with part numbers ending with EI or EN only)
32M060ES		Gear Reducer, 60:1, 56C (for motors with part numbers ending with EI or EN only)

*This motor is rated at 1/2 hp when running as a fixed speed motor at 60 hz or when used as an indexing motor. When used as a variable speed motor, the HP rating is reduced to 1/4 hp.

Item	Part No.	Part Description
1	826-281	Motor, 0.19 Kw 230 Volts, 1400 RPM 50 Hz, 1-Phase
	825-284	Motor, 0.19 Kw 230/400 Volts, 1400 RPM 50 Hz, 3-Phase
2	62Z005ES	Gear Reducer, 5:1, 63 B5
	62Z010ES	Gear Reducer, 10:1, 63 B5
	62Z020ES	Gear Reducer, 20:1, 63 B5
	62Z040ES	Gear Reducer, 40:1, 63 B5
	62Z060ES	Gear Reducer, 60:1, 63 B5

Return Policy

Returns must have prior written factory authorization or they will not be accepted. Items that are returned to Dorner without authorization will not be credited nor returned to the original sender. When calling for authorization, please have the following information ready for the Dorner factory representative or your local distributor:

1. Name and address of customer.
2. Dorner part number(s) of item(s) being returned.
3. Reason for return.
4. Customer's original order number used when ordering the item(s).
5. Dorner or distributor invoice number (if available, part serial number).

A representative will discuss action to be taken on the returned items and provide a Returned Goods Authorization (RMA) number for reference. RMA will automatically close 30 days after being issued. To get credit, items must be new and undamaged. There will be a return charge on all items returned for credit, where Dorner was not at fault. It is the customer's responsibility to prevent damage during return shipping. Damaged or modified items will not be accepted. The customer is responsible for return freight.


Product Type									
Standard Products									Engineered to order parts
Product Line	Conveyors	Gearmotors & Mounting Packages	Support Stands	Accessories	Spare Parts (non-belt)	Spare Belts - Standard Flat Fabric	Spare Belts - Cleated & Specialty Fabric	Spare Belts - Plastic Chain	All equipment and parts
1100	30% return fee for all products except: 50% return fee for conveyors with modular belt, cleated belt or specialty belts						non-returnable		case-by-case
2200									
2200 Modular Belt									
2200 Precision Move									
2300									
2300 Modular Belt									
3200									
3200 LPZ									
3200 Precision Move									
4100									
5200									
5300									
6200									
Controls									
7200 / 7300	50% return fee for all products								
7350	non-returnable								
7360									
7400									
7600									

Returns will not be accepted after 60 days from original invoice date. The return charge covers inspection, cleaning, disassembly, disposal and reissuing of components to inventory. If a replacement is needed prior to evaluation of returned item, a purchase order must be issued. Credit (if any) is issued only after return and evaluation is complete.

Dorner has representatives throughout the world. Contact Dorner for the name of your local representative. Our Customer Service Team will gladly help with your questions on Dorner products.

For a copy of Dorner's Warranty, contact factory, distributor, service center or visit our website at www.dorner.com.

For replacement parts, contact an authorized Dorner Service Center or the factory.

 <p>Dorner Mfg. Corp. reserves the right to change or discontinue products without notice. All products and services are covered in accordance with our standard warranty. All rights reserved. © Dorner Mfg. Corp. 2012</p>	<p>DORNER MFG. CORP. 975 Cottonwood Ave., PO Box 20 Hartland, WI 53029-0020 USA TEL 1-800-397-8664 (USA) FAX 1-800-369-2440 (USA) Internet: www.dorner.com</p>	<p>Outside the USA: TEL 1-262-367-7600 FAX 1-262-367-5827</p>
-----------------------------------------------------------------------------------------------------------------------------------------------------------------------------------------------------------------------------------------------------------------------------------------------------------------	--------------------------------------------------------------------------------------------------------------------------------------------------------------------------------------------------------------------------------------------------------------------------------------	---------------------------------------------------------------------------------------------