



# 2100, 2200, 2300, 4100, 6200 & MPB Series Bottom Mount Drive Pack. for Heavy Load 90° Industrial Gearmotors

Installation, Maintenance & Parts Manual



Featuring: **eDrive™** Technology

DORNER MFG. CORP.  
P.O. Box 20 • 975 Cottonwood Ave.  
Hartland, WI 53029-0020 USA

INSIDE THE USA  
TEL: 1-800-397-8664  
FAX: 1-800-369-2440

OUTSIDE THE USA  
TEL: 262-367-7600  
FAX: 262-367-5827

For other service manuals visit our website at:  
[www.dorner.com/service\\_manuals.asp](http://www.dorner.com/service_manuals.asp)

# Table of Contents

Introduction .....	2	Table 9: Belt Speeds for Heavy Load Variable Speed 90° DC Gearmotors on 2200 Series Conveyors (Excluding Gang Drive) .....	9
Warnings – General Safety .....	3	Table 10: Belt Speeds for Heavy Load Variable Speed 90° DC Gearmotors on MPB Series Conveyors .....	9
Product Description .....	4	Installation.....	10
Specifications .....	5	Required Tools .....	10
Gearmotor Mounting Package Models: .....	5	Mounting .....	10
Table 1: Gearmotor Specifications .....	5	Preventive Maintenance and Adjustment .....	14
US Version .....	5	Required Tools .....	14
CE Version .....	5	Timing Belt Tensioning .....	14
Table 2: Belt Speeds for Heavy Load Fixed Speed 90° 60 Hz Gearmotors on 2100, 2200 (Gang Drive), 4100 and 6200 Series Conveyors .....	6	Timing Belt Replacement.....	14
US Version .....	6	Drive or Driven Pulley Replacement .....	15
CE Version .....	6	Gear Reducer Replacement.....	15
Table 3: Belt Speeds for Heavy Load Fixed Speed 90° 60 Hz Gearmotors on 2200 Series Conveyors (Excluding Gang Drive) .....	7	For eDrive style gearmotor .....	16
Table 4: Belt Speeds for Heavy Load Fixed Speed 90° 60 Hz Gearmotors on MPB Series Conveyors .....	7	For old style gearmotor prior to June 2011.....	18
Table 5: Belt Speeds for Heavy Load Variable Speed 90° VFD Gearmotors on 2100, 4100 and 6200 Series Conveyors .....	8	Motor Replacement .....	19
Table 6: Belt Speeds for Heavy Load Variable Speed 90° VFD Gearmotors on 2200 Series Conveyors (Excluding Gang Drive) .....	8	Notes .....	21
Table 7: Belt Speeds for Heavy Load Variable Speed 90° VFD Gearmotors on MPB Series Conveyors .....	8	Service Parts.....	22
Table 8: Belt Speeds for Heavy Load Variable Speed 90° DC Gearmotors on 2100, 2200 (Gang Drive), 4100 and 6200 Series Conveyors .....	9	2100, 2200, 2300, 4100, 6200 Series	
		Bottom Mount Drive Package .....	22
		MPB Series Flat Belt Bottom Mount Drive Package (Old Style Gearmotor Only) .....	24
		MPB Series Cleated Belt Bottom Mount Drive Package (Old Style Gearmotor Only).....	26
		4100 Series Adapter Package .....	28
		U.S. Version Gearmotors .....	28
		CE Version Gearmotors .....	28
		Notes .....	29
		Return Policy.....	30

## Introduction

### IMPORTANT

*Some illustrations may show guards removed. Do NOT operate equipment without guards.*

Upon receipt of shipment:

- Compare shipment with packing slip. Contact factory regarding discrepancies.
- Inspect packages for shipping damage. Contact carrier regarding damage.
- Accessories may be shipped loose. See accessory instructions for installation.

Dorner 2100 Series conveyors are covered by the following patent numbers: 5131529, 5174435, and corresponding patents and patent applications in other countries.


Dorner 2200 and MPB Series conveyors are covered by patent number 5174435 and corresponding patents and patent applications in other countries.

Dorner 4100 Series conveyors are covered by patent number 3923148 and corresponding patents and patent applications in other countries.

Dorner 2200, 6200 Series conveyors are covered by patent numbers: 6685009, 5174435, 6109427, 6298981, 6422382 and corresponding patents and patent applications in other countries.

Dorner’s Limited Warranty applies.

Dorner reserves the right to make changes at any time without notice or obligation.

Dorner has convenient, pre-configured kits of Key Service Parts for all conveyor products. These time saving kits are easy to order, designed for fast installation, and guarantee you will have what you need when you need it. Key Parts and Kits are marked in the Service Parts section of this manual with the Performance Parts Kits logo 

# Warnings – General Safety

**⚠ WARNING**

The safety alert symbol, black triangle with white exclamation, is used to alert you to potential personal injury hazards.

**⚠ DANGER**




Climbing, sitting, walking or riding on conveyor will cause severe injury.  
**KEEP OFF CONVEYORS.**

**⚠ DANGER**



**DO NOT OPERATE CONVEYORS IN AN EXPLOSIVE ENVIRONMENT.**

**⚠ WARNING**



Exposed moving parts can cause severe injury.  
**LOCK OUT POWER** before removing guards or performing maintenance.

**⚠ WARNING**




Gearmotors may be **HOT**.  
**DO NOT TOUCH** Gearmotors.

**⚠ WARNING**



Exposed moving parts can cause severe injury.  
**REPLACE ALL GUARDS BEFORE RUNNING CONVEYOR.**

**⚠ WARNING**



Dorner cannot control the physical installation and application of conveyors. Taking protective measures is the responsibility of the user.  
When conveyors are used in conjunction with other equipment or as part of a multiple conveyor system, **CHECK FOR POTENTIAL PINCH POINTS** and other mechanical hazards before system start-up.

**⚠ WARNING**

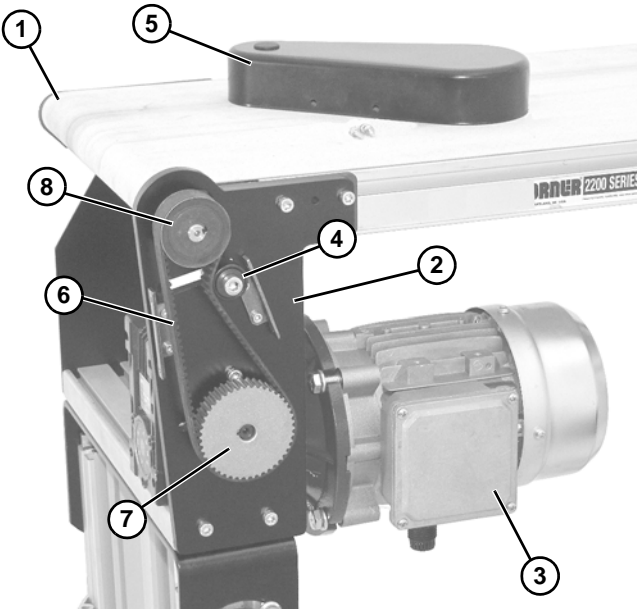


**MPB Series Conveyors are not reversible.** Reversing creates pinch points which can cause severe injury.  
**DO NOT REVERSE MPB SERIES CONVEYORS.**

# Product Description

Refer to **Figure 1** for typical conveyor components.

- |   |                       |
|---|-----------------------|
| 1 | Conveyor              |
| 2 | Mounting Bracket      |
| 3 | Gearmotor             |
| 4 | Timing Belt Tensioner |
| 5 | Cover                 |
| 6 | Timing Belt           |
| 7 | Drive Pulley          |
| 8 | Driven Pulley         |



**Figure 1**

## NOTE

*The 90° industrial gearhead changed configuration in 2011. See below for configuration details.*



**Mount Packages with Old Style Gearmotors prior to June 2011**

**Figure 2**



**Mount Packages with eDrive Gearmotors**

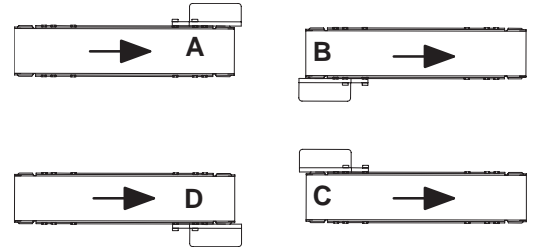
**Figure 3**

## Gearmotor Mounting Package Models:

Example:

**2 M B H H W W A - 32 32**

- └─ Driven Pulley (see Table 2 & 3)
- └─ Drive Pulley (see Table 2 & 3)
- └─ Belt Type ( - = flat belt, A through J = cleated belt )
- └─ Mount Position = A, B, C or D  
(see detail to the right)
- └─ Conveyor Width Reference\*
- └─ Gearmotor Type: H = Heavy Load, Industrial
- └─ Output Shaft Type : E= 90° eDrive Gearmotors  
H = 90° Old Style Gearmotors Prior to June 2011
- └─ Mount Style : B= Bottom Mount
- └─ Language Code: M = U.S. English  
U = CE English
- └─ 2 = 2100 Series Conveyor
- └─ 22 = 2200 & 2300 Series Conveyors
- └─ 4 = 4100 Series Conveyor
- └─ 6 = 6200 Series Conveyor
- └─ 2P = MPB Series Conveyor



\* See "Ordering and Specifications" Catalog for details.

## Table 1: Gearmotor Specifications

### US Version

	Single Phase	Three Phase	DC Variable Speed	VFD Variable Speed
Output Power	0.50 hp (0.37 kw)			
Input Voltage	115 VAC	208 – 230 / 460 VAC	90 VDC	230 VAC
Input Frequency	60 Hz		N/A	10 – 60 Hz
Input Current	7.4 Amperes	2.1 – 2/ 1 Amperes	5.0 Amperes	1.6 Amperes
Motor RPM	1725		2500	1725
Gearmotor Ratios	5:1, 10:1, 20:1, 40:1, 60:1			
Frame Size	NEMA 56C			
Motor Type	Totally enclosed, Fan-cooled			

### CE Version

	Three Phase
Output Power	0.19 kw
Input Voltage	230 / 400 Volts A.C.
Input Frequency	50 Hz
Full Load Amperes	1.2 / 0.7 Amperes
Gearmotor Ratios	5:1, 10:1, 20:1
Protection Ratings	IP55 for Gearmotor and Motor Starter
Frame Size	71B5

# Specifications

**Table 2: Belt Speeds for Heavy Load Fixed Speed 90° 60 Hz Gearmotors on 2100, 2200 (Gang Drive), 4100 and 6200 Series Conveyors**

## US Version

Gearmotors					Belt Speed		Drive Pulley	Driven Pulley
Part Number	Gear Ratio	RPM	In-lb	N-m	Ft/min	M/min		
32M060ES4(vp)F(n)	60:1	29	270	30.5	6	1.7	22	32
32M060ES4(vp)F(n)	60:1	29	270	30.5	8	2.4	32	32
32M060ES4(vp)F(n)	60:1	29	270	30.5	12	3.7	48	32
32M040ES4(vp)F(n)	40:1	43	247	27.9	12	3.7	32	32
32M040ES4(vp)F(n)	40:1	43	247	27.9	18	5.5	48	32
32M020ES4(vp)F(n)	20:1	86	90	10.2	25	7.6	32	32
32M020ES4(vp)F(n)	20:1	86	90	10.2	37	11.3	48	32
32M010ES4(vp)F(n)	10:1	173	45	5.1	49	14.9	32	32
32M010ES4(vp)F(n)	10:1	173	45	5.1	74	22.6	48	32
32M005ES4(vp)F(n)	5:1	345	25	2.8	99	30.2	32	32
32M005ES4(vp)F(n)	5:1	345	25	2.8	148	45.1	48	32
32M005ES4(vp)F(n)	5:1	345	25	2.8	169	51.5	48	28
32M005ES4(vp)F(n)	5:1	345	25	2.8	197	60.0	44	22
32M005ES4(vp)F(n)	5:1	345	25	2.8	215	65.5	48	22
32M005ES4(vp)F(n)	5:1	345	25	2.8	249	75.9	48	19

(vp) = voltage and phase:

11 = 115 V, 1-phase

23 = 230V, 3-phase

(n) = reversing capability:

N = no reversing switch

R = with reversing switch (115V, 1 phase only)

## CE Version

Gearmotors			Belt Speed		Drive Pulley	Driven Pulley
Part Number	RPM	N-m	Ft/min	M/min		
62(c)050(r)E4(vp)FN	29	50.1	5	1.5	19	32
62(c)050(r)E4(vp)FN	29	50.1	8	2.4	32	32
62(c)050(r)E4(vp)FN	29	50.1	12	3.7	48	32
62(c)050(r)E4(vp)FN	29	50.1	18	5.5	48	22
62(c)015(r)E4(vp)FN	97	19.9	28	8.5	32	32
62(c)015(r)E4(vp)FN	97	19.9	41	12.5	48	32
62(c)015(r)E4(vp)FN	97	19.9	60	18.3	48	22
62(c)005(r)E4(vp)FN	290	7.2	83	25.3	32	32
62(c)005(r)E4(vp)FN	290	7.2	124	37.8	48	32
62(c)005(r)E4(vp)FN	290	7.2	155	47.2	60	32
62(c)005(r)E4(vp)FN	290	7.2	181	55.2	48	22
62(c)005(r)E4(vp)FN	290	7.2	226	68.9	60	22

(c) = electrical configuration

(vp) = voltage and phase

(r) = output shaft orientation

G = CE German

U = CE Great Britain

23 = 230V, 3-phase

43 = 400 V, 3-phase

L = Left Hand

R = Right Hand

# Specifications

**Table 3: Belt Speeds for Heavy Load Fixed Speed 90° 60 Hz Gearmotors on 2200 Series Conveyors (Excluding Gang Drive)**

Gearmotors					Belt Speed		Drive Pulley	Driven Pulley
Part Number	Gear Ratio	RPM	In-lb	N-m	Ft/min	M/min		
32M060ES4(vp)F(n)	60:1	29	270	30.5	6	1.7	19	32
32M060ES4(vp)F(n)	60:1	29	270	30.5	10	3.0	28	28
32M040ES4(vp)F(n)	40:1	43	247	27.9	15	4.6	28	28
32M060ES4(vp)F(n)	60:1	29	270	30.5	16	4.9	44	28
32M040ES4(vp)F(n)	40:1	43	247	27.9	24	7.3	44	28
32M020ES4(vp)F(n)	20:1	86	90	10.2	30	9.1	28	28
32M020ES4(vp)F(n)	20:1	86	90	10.2	48	14.6	44	28
32M010ES4(vp)F(n)	10:1	173	145	5.1	61	18.6	28	28
32M010ES4(vp)F(n)	10:1	173	45	5.1	95	29.0	44	28
32M010ES4(vp)F(n)	10:1	173	45	5.1	104	31.7	48	28
32M005ES4(vp)F(n)	5:1	345	25	2.8	121	36.9	28	28
32M005ES4(vp)F(n)	5:1	345	25	2.8	138	42.1	32	28
32M005ES4(vp)F(n)	5:1	345	25	2.8	176	53.6	32	22
32M005ES4(vp)F(n)	5:1	345	25	2.8	208	63.4	48	28
32M005ES4(vp)F(n)	5:1	345	25	2.8	242	73.8	44	22
32M005ES4(vp)F(n)	5:1	345	25	2.8	264	80.5	48	22

(vp) = voltage and phase:

11 = 115 V, 1-phase

23 = 230V, 3-phase

(n) = reversing capability:

N = no reversing switch

R = with reversing switch (115V, 1 phase only)

**Table 4: Belt Speeds for Heavy Load Fixed Speed 90° 60 Hz Gearmotors on MPB Series Conveyors**

Gearmotors					Belt Speed		Drive Pulley	Driven Pulley
Part Number	Gear Ratio	RPM	In-lb	N-m	Ft/min	M/min		
32M060ES4(vp)F(n)	60:1	29	270	30.5	13	4.0	22	32
32M060ES4(vp)F(n)	60:1	29	270	30.5	20	6.0	28	28
32M040ES4(vp)F(n)	40:1	43	247	27.9	29	8.9	28	28
32M040ES4(vp)F(n)	40:1	43	247	27.9	44	13.4	48	32
32M020ES4(vp)F(n)	20:1	86	90	10.2	59	17.9	28	28

(vp) = voltage and phase

11 = 115 V, 1-phase

23 = 230V, 3-phase

(n) = reversing capability

N = no reversing switch

R = with reversing switch (115V, 1 phase only)

# Specifications

**Table 5: Belt Speeds for Heavy Load Variable Speed 90° VFD Gearmotors on 2100, 4100 and 6200 Series Conveyors**

Gearmotors					Belt Speed		Drive Pulley	Driven Pulley
Part Number	Gear Ratio	RPM	In-lb	N-m	Ft/min	M/min		
32M060ES423EN	60:1	29	226	35.5	0.6–5.6	0.2–1.7	22	32
32M060ES423EN	60:1	29	226	35.5	0.8–8.2	0.3–2.5	32	32
32M040ES423EN	40:1	43	247	27.9	1.2–12	0.4–3.8	28	28
32M020ES423EN	20:1	86	248	27.9	2.5–25	0.8–7.5	32	32
32M010ES423EN	10:1	173	156	17.6	4.9–49	1.5–15	32	32
32M005ES423EN	5:1	345	81	9.1	9.9–99	3–30	32	32
32M005ES423EN	5:1	345	81	9.1	14–148	4.5–45	48	32
32M005ES423EN	5:1	345	58	6.5	19–197	6–60	44	22
32M005ES423EN	5:1	345	58	6.5	24–249	7.6–76	48	19

\* At 60 Hz

**Table 6: Belt Speeds for Heavy Load Variable Speed 90° VFD Gearmotors on 2200 Series Conveyors (Excluding Gang Drive)**

Gearmotors					Belt Speed		Drive Pulley	Driven Pulley
Part Number	Gear Ratio	RPM	In-lb	N-m	Ft/min	M/min		
32M060ES423EN	60:1	29	270	30.5	0.6–6	0.2–1.8	19	32
32M060ES423EN	60:1	29	270	30.5	1–10	0.3–3.1	28	28
32M040ES423EN	40:1	43	247	27.9	1.5–15	0.5–4.6	28	28
32M020ES423EN	20:1	86	167	18.9	3–30	0.9–9.2	28	28
32M010ES423EN	10:1	173	115	13	6–60	1.8–18	28	28
32M010ES423EN	10:1	173	115	13	10–104	3.2–32	48	28
32M005ES423EN	5:1	345	58	6.5	12–121	3.7–37	28	28
32M005ES423EN	5:1	345	58	6.5	26–264	8.1–81	48	22

**Table 7: Belt Speeds for Heavy Load Variable Speed 90° VFD Gearmotors on MPB Series Conveyors**

Gearmotors					Belt Speed		Drive Pulley	Driven Pulley
Part Number	Gear Ratio	RPM	In-lb	N-m	Ft/min	M/min		
32M060ES423EN	60:1	29	270	30.5	1.3–13.4	0.4–4.1	22	32
32M060ES423EN	60:1	29	270	30.5	2–19	0.9–5.9	28	28
32M040ES423EN	40:1	43	247	27.9	2.9–29	0.9–8.9	28	28
32M020ES423EN	20:1	86	167	18.9	5.9–59	1.8–18	28	28
32M010ES423EN	10:1	173	115	13	11–117	3.6–36	28	28
32M010ES423EN	10:1	173	115	13	17–175	5.4–54	48	32
32M005ES423EN	5:1	345	58	6.5	23–234	7.1–71	28	28

\* At 60 Hz



# Specifications

**Table 8: Belt Speeds for Heavy Load Variable Speed 90° DC Gearmotors on 2100, 2200 (Gang Drive), 4100 and 6200 Series Conveyors**

Gearmotors					Belt Speed		Drive Pulley	Driven Pulley
Part Number	Gear Ratio	RPM	In-lb	N-m	Ft/min	M/min		
32M060PSD3DEN	60:1	42	270	30.5	1.0–8.2	0.3–2.5	22	32
32M060PSD3DEN	60:1	42	270	30.5	1.4–12	0.4–3.6	32	32
32M040PSD3DEN	40:1	63	215	24.3	2.1–18	0.7–5.4	32	32
32M020PSD3DEN	20:1	125	90	10.2	4.3–36	1.3–11	32	32
32M010PSD3DEN	10:1	250	72	8.1	9–71	2.6–22	32	32
32M005PSD3DEN	5:1	500	25	2.8	17–143	5.2–43	32	32
32M005PSD3DEN	5:1	500	25	2.8	26–214	7.8–65	48	32
32M005PSD3DEN	5:1	500	25	2.8	29–245	9.0–75	48	28

**Table 9: Belt Speeds for Heavy Load Variable Speed 90° DC Gearmotors on 2200 Series Conveyors (Excluding Gang Drive)**

Gearmotors					Belt Speed		Drive Pulley	Driven Pulley
Part Number	Gear Ratio	RPM	In-lb	N-m	Ft/min	M/min		
32M060PSD3DEN	60:1	42	270	30.5	1.8–14	0.5–4.5	28	28
32M040PSD3DEN	40:1	63	215	24.3	2.6–22	0.8–6.7	28	28
32M060PSD3DEN	60:1	42	270	30.5	2.8–23	0.8–7	44	28
32M020PSD3DEN	20:1	125	90	10.2	5.3–44	1.6–13	28	28
32M010PSD3DEN	10:1	250	72	8.1	10–88	3.2–27	28	28
32M005PSD3DEN	5:1	500	25	2.8	17–138	5–42	44	28
32M005PSD3DEN	5:1	500	25	2.8	21–176	6.4–54	28	28
32M005PSD3DEN	5:1	500	25	2.8	33–276	10–84	44	28

**Table 10: Belt Speeds for Heavy Load Variable Speed 90° DC Gearmotors on MPB Series Conveyors**

Gearmotors					Belt Speed		Drive Pulley	Driven Pulley
Part Number	Gear Ratio	RPM	In-lb	N-m	Ft/min	M/min		
32M060PSD3DEN	60:1	42	270	30.5	2.3–19	0.7–5.9	22	32
32M060PSD3DEN	60:1	42	270	30.5	3.4–28	1–8.6	28	28
32M040PSD3DEN	40:1	63	215	24.3	5.1–42	1.6–12.9	28	28
32M060PSD3DEN	60:1	42	270	30.5	5.3–44	1.6–13	44	28
32M020PSD3DEN	20:1	125	90	10.2	10–85	3–26	28	28
32M020PSD3DEN	20:1	125	90	10.2	15–127	4.7–39	48	32
32M010PSD3DEN	10:1	250	72	8.1	20–170	6–52	28	28
32M010PSD3DEN	10:1	250	72	8.1	31–255	9–77	48	32

\* = Cleated and Sidewall Cleated belts operate at a maximum of 150 Ft/min (45.7 m/min)

**NOTE**


*For belt speed other than those listed, contact factory for details.*


# Installation

## Required Tools

- Hex key wrenches:  
2 mm, 2.5 mm, 3 mm, 5 mm
- Torque wrench

## Mounting

<b>⚠ WARNING</b>

<p><b>Exposed moving parts can cause severe injury.</b></p> <p><b>LOCK OUT POWER</b> before removing guards or performing maintenance.</p>

<b>⚠ WARNING</b>

<p><b>MPB Series Conveyors are not reversible. Reversing creates pinch points which can cause severe injury.</b></p> <p><b>DO NOT REVERSE MPB SERIES CONVEYORS.</b></p>

### Installation Component List:

1	Drive Assembly
2	M6x12 Socket Head Screws (2x)
3	Plastic Cover
4	M6x18 Socket-Head Screws & Hard Washers (4x)
5	Extrusion
6	Support Plate
7	M6x25 Socket-Head Screws & M6 Nuts (4x)
8	Cover
9	Driven Pulley
10	Timing Belt
11	Drive Pulley
12	Mounting Plate
13	M6x18 Socket Head Screws (4x)
14	Support Plate Spacer
15	Output Shaft

### 1. Typical components (Figure 4).

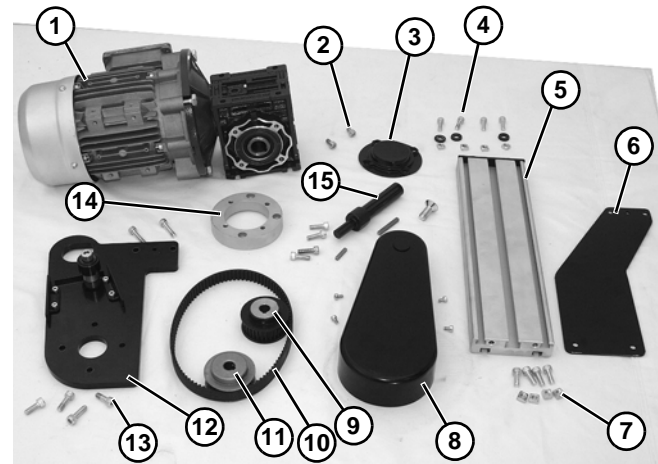


Figure 4

<b>NOTE</b>
<p>2100, 2200, MPB and 6200 2" &amp; 3" (51mm &amp; 76mm) and 4100 1" through 6" (25mm – 152mm) conveyors do not include (Figure 4, item R through W).</p>

<b>NOTE</b>
<p>Gearmotor may be operated in positions 1 &amp; 3 (Figure 5).</p>

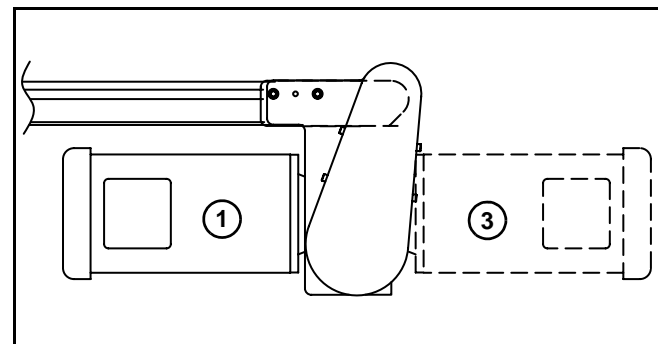
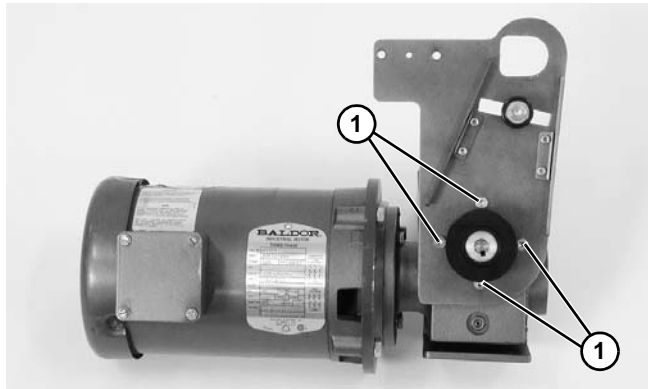


Figure 5

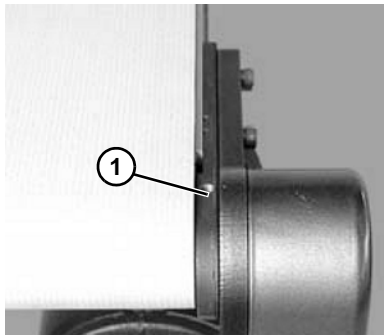
# Installation

- If required, change gearmotor position by removing four screws (**Figure 6, item 1**) from bottom mount assembly. Rotate gearmotor to other position and install screws. Tighten screws to 103 in-lb (12 Nm).



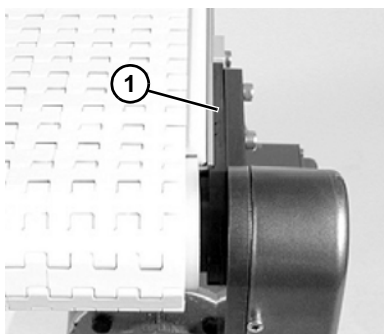
**Figure 6**

- For your reference, the following figures show the attachment area of complete mounting packages for the various conveyor series.
- Gearmotor bottom mount assembly is mounted to head plate (**Figure 7, item 1**) and (**Figure 8, item 1**).



**2100 & 2200 Series**

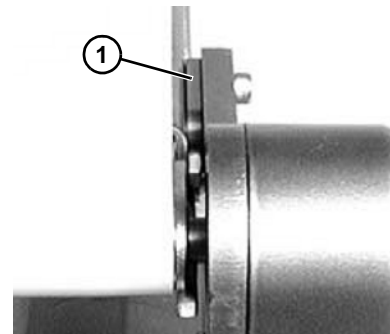
**Figure 7**



**MPB Series**

**Figure 8**

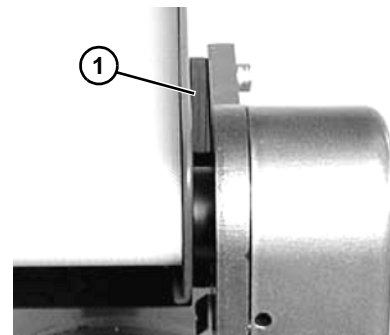
- Gearmotor bottom mount assembly is mounted to drive spacer (**Figure 9, item 1**).



**6200 Series**

**Figure 9**

- Gearmotor bottom mount assembly is mounted to drive adapter plate (**Figure 10, item 1**).



**4100 Series**

**Figure 10**

# Installation

## NOTE

6200 conveyor shown below, other Series similar.

4. Locate drive output shaft (Figure 11, item 1) and remove two screws (Figure 11, item 2).

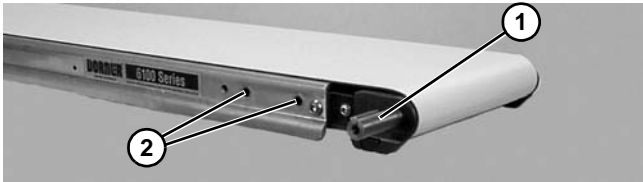


Figure 11

5. On side opposite drive output shaft, remove two screws (Figure 12, item 1).

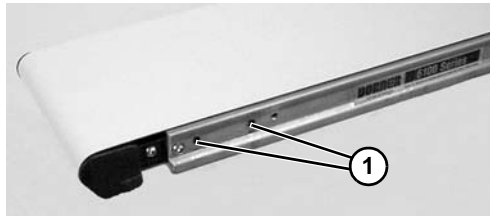


Figure 12

## NOTE

Refer to Figure 7 through Figure 10 while doing step 6.

6. Install spacer (Figure 13, item 1) and gearhead/conveyor support plate (Figure 13, item 2) with screws (Figure 13, item 3).

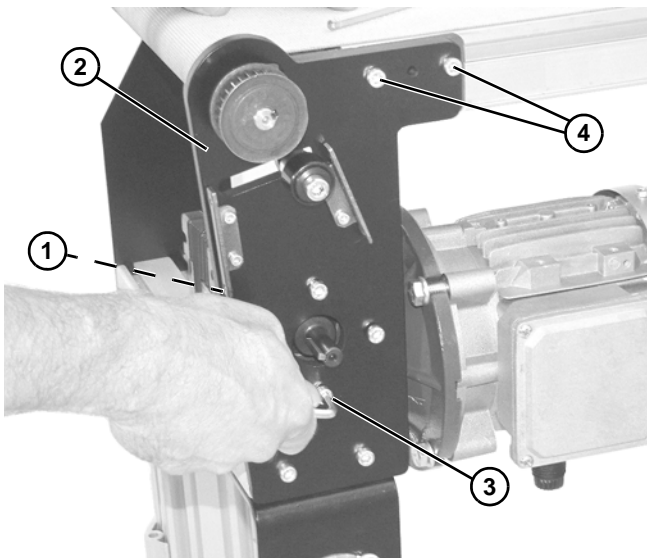


Figure 13

7. Install support plate (Figure 13, item 2) with screws (Figure 13, item 4). Tighten screws (Figure 13, item 3) and (Figure 13, item 4) to 80 in-lb (9 Nm).
8. Install opposite end support plate (Figure 14, item 1) with screws (Figure 14, item 2). Tighten screws to 80 in-lb (9 Nm).

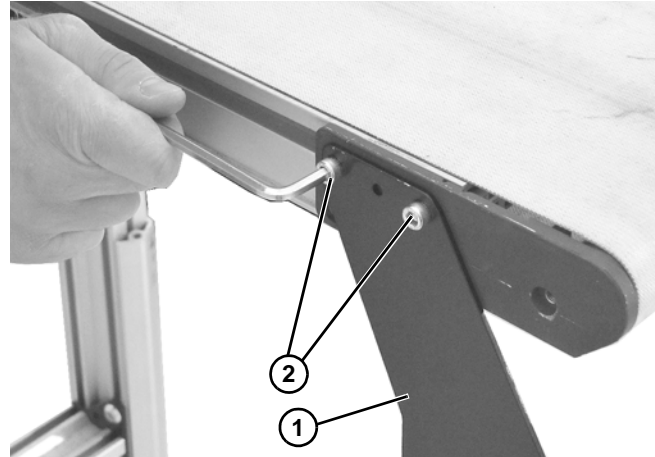


Figure 14

## WARNING



Drive shaft keyway may be sharp.  
HANDLE WITH CARE.

9. Install key onto top shaft (Figure 15, item 1).

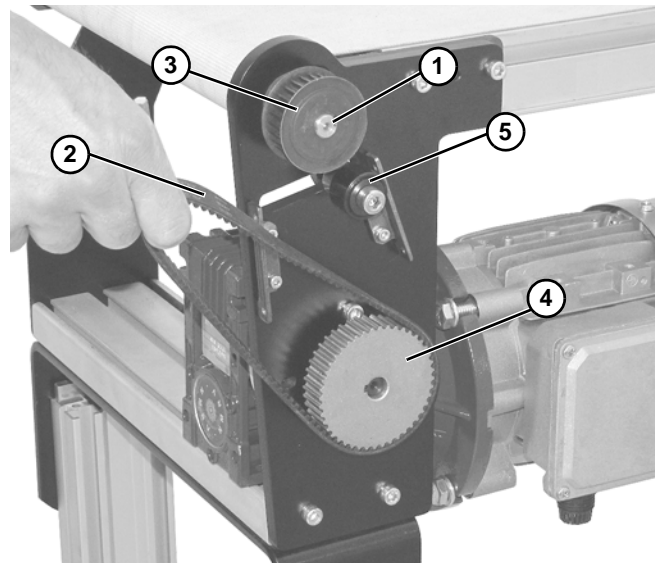
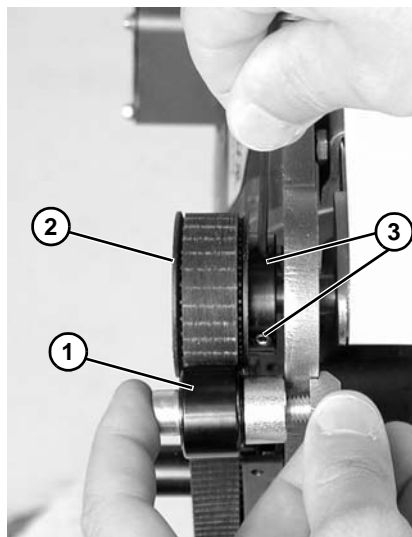


Figure 15

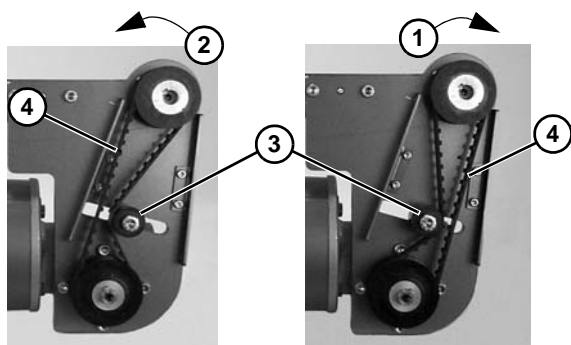
# Installation

10. Wrap timing belt (**Figure 15, item 2**) around driven pulley (**Figure 15, item 3**) and drive pulley (**Figure 15, item 4**). Install driven pulley (**Figure 15, item 3**) onto conveyor shaft.
11. Remove cam bearing and spacer (**Figure 15, item 5**). Place cam bearing and spacer (**Figure 16, item 1**) next to driven pulley (**Figure 16, item 2**). Ensure flanges of driven pulley are aligned with cam bearing. Tighten driven pulley set screws (**Figure 16, item 3**). This will allow for proper belt alignment while conveyor is in use. Install cam bearing and spacer (**Figure 16, item 1**).



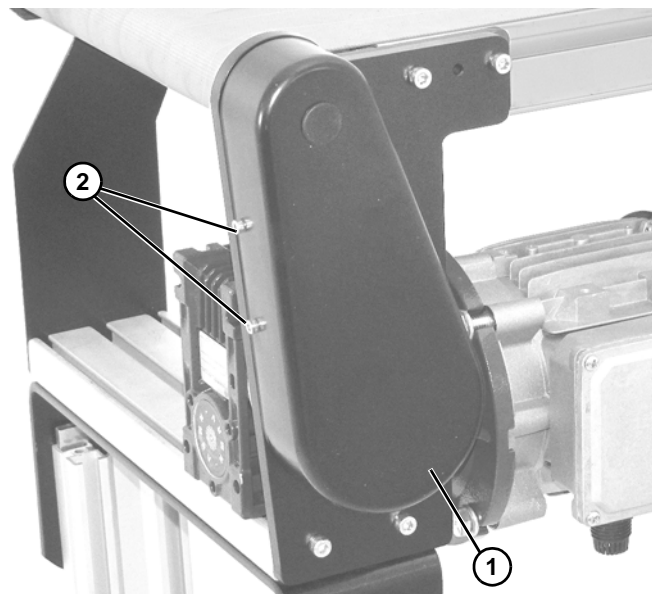
**Figure 16**

12. Depending on direction of conveyor belt travel (**Figure 17, item 1**) or (**Figure 17, item 2**), position belt tensioner (**Figure 17, item 3**) as shown. Tension belt to obtain 0.125" (3 mm) deflection for 1.0 lb (456 grams) of force at belt mid-point (**Figure 17, item 4**). Tighten tensioner screw to 103 in-lb (12 Nm).



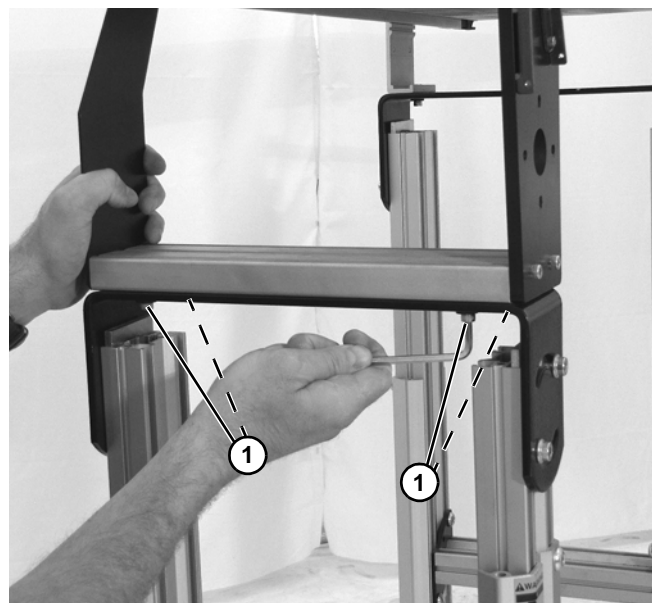
**Figure 17**

13. Install cover (**Figure 18, item 1**) with four screws (**Figure 18, item 2**). Tighten to 35 in-lb (4 Nm).



**Figure 18**

14. Mount assembly to support structure with four hard washers and screws (**Figure 19, item 1**). Tighten to 80 in-lb (9 Nm).




**Figure 19**

# Preventive Maintenance and Adjustment

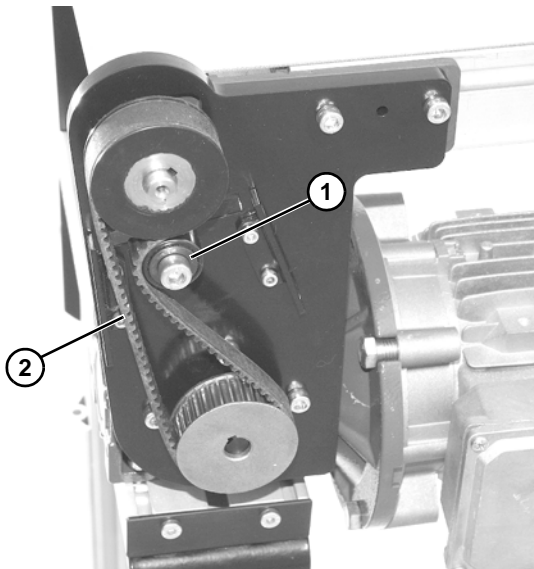
## Required Tools

- Hex key wrenches:  
2 mm, 2.5 mm, 3 mm, 5 mm
- Adjustable wrench (for hexagon head screws)
- Torque wrench

## Timing Belt Tensioning

<b>⚠ WARNING</b>

<p><b>Exposed moving parts can cause severe injury.</b> <b>LOCK OUT POWER</b> before removing guards or performing maintenance.</p>


1. Remove four (4) screws (**Figure 18, item 2**) and remove cover (**Figure 18, item 1**).
2. Loosen tensioner (**Figure 20, item 1**).



**Figure 20**

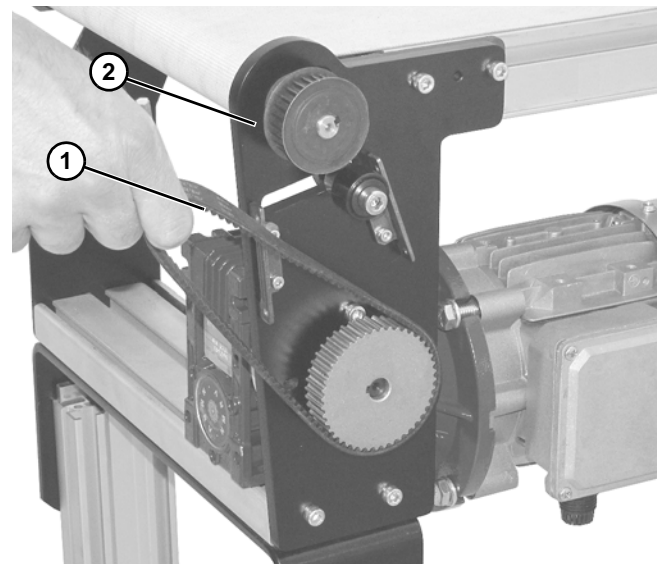
3. Depending on direction of conveyor belt travel (**Figure 17, item 1**) or (**Figure 17, item 2**), position belt tensioner (**Figure 20, item 1**) as shown. Tension belt to obtain 0.125" (3 mm) deflection for 1.0 lb (456 grams) of force at belt mid-point (**Figure 20, item 2**). Tighten tensioner screw to 103 in-lb (12 Nm).
4. Install cover (**Figure 18, item 1**) with four (4) screws (**Figure 18, item 2**). Tighten to 35 in-lb (4 Nm).

## Timing Belt Replacement

<b>⚠ WARNING</b>

<p><b>Exposed moving parts can cause severe injury.</b> <b>LOCK OUT POWER</b> before removing guards or performing maintenance.</p>

1. Remove four (4) screws (**Figure 18, item 2**) and remove cover (**Figure 18, item 1**).
2. Loosen tensioner (**Figure 20, item 1**).
3. Remove timing belt (**Figure 21, item 1**).

<b>NOTE</b>
<p><i>If timing belt does not slide over pulley flange, loosen driven pulley (<b>Figure 21, item 2</b>) set screws and remove pulley with belt (<b>Figure 21, item 1</b>). For re-installation, see step 10 and <b>Figure 15</b> on page 13.</i></p>



**Figure 21**

4. Install new timing belt.
5. Depending on direction of conveyor belt travel (**Figure 17, item 1**) or (**Figure 17, item 2**), position belt tensioner (**Figure 20, item 1**) as shown. Tension belt to obtain 0.125" (3 mm) deflection for 1.0 lb (456 grams) of force at belt mid-point (**Figure 20, item 2**). Tighten tensioner screw to 103 in-lb (12 Nm).
6. Install cover (**Figure 18, item 1**) with four (4) screws (**Figure 18, item 2**). Tighten to 35 in-lb (4 Nm).



# Preventive Maintenance and Adjustment

## Drive or Driven Pulley Replacement

### ⚠ WARNING



Exposed moving parts can cause severe injury.

**LOCK OUT POWER** before removing guards or performing maintenance.

1. Complete steps 1 through 3 of “Timing Belt Replacement” section on page 14.
2. Loosen set screws and remove drive or driven pulley.

### NOTE

If drive pulley (**Figure 25, item 2**) is replaced, wrap timing belt around drive pulley and complete step 3.

3. Complete steps 11 through 14 of “Installation” section on page 13.

## Gear Reducer Replacement

### ⚠ WARNING

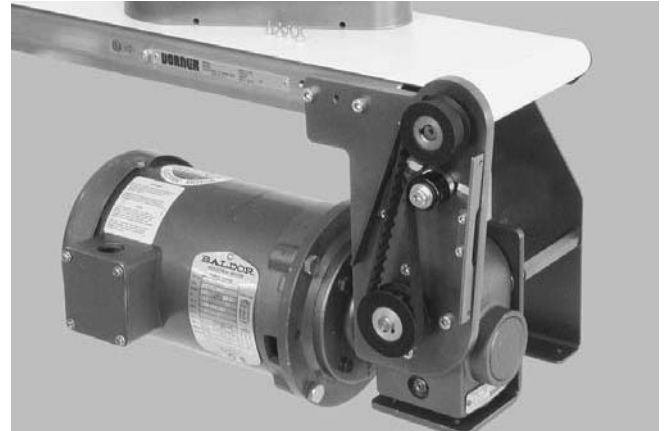


Exposed moving parts can cause severe injury.

**LOCK OUT POWER** before removing guards or performing maintenance.

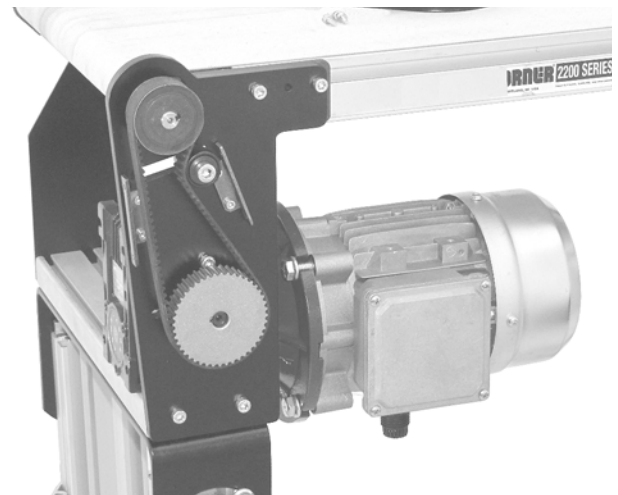
### NOTE

The 90° industrial gearhead changed configuration in 2011. See below for configuration details. See Service Parts section to ensure proper replacement parts are installed.



**Old Style Gearmotor prior to June 2011**

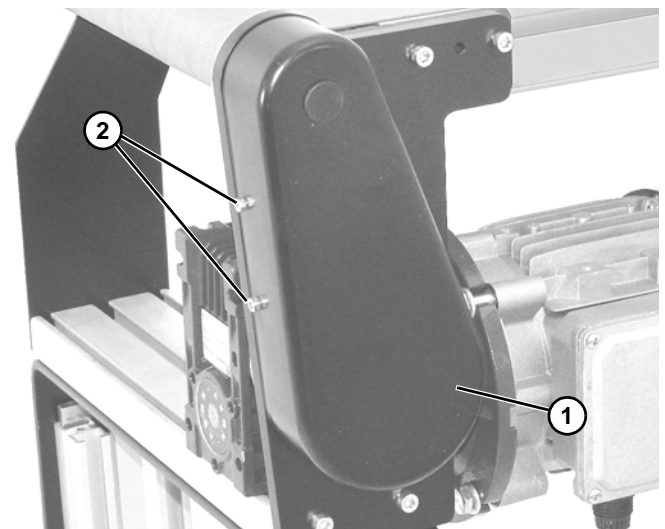
**Figure 22**



**eDrive Gearmotor**

**Figure 23**

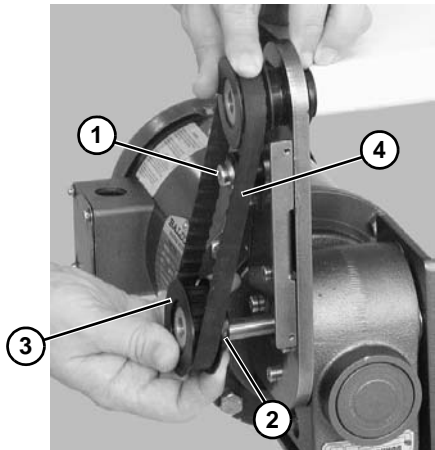
1. Remove four (4) screws (**Figure 24, item 2**) and remove cover (**Figure 24, item 1**).



**Figure 24**

# Preventive Maintenance and Adjustment

2. Loosen tensioner (**Figure 25, item 1**).



**Figure 25**

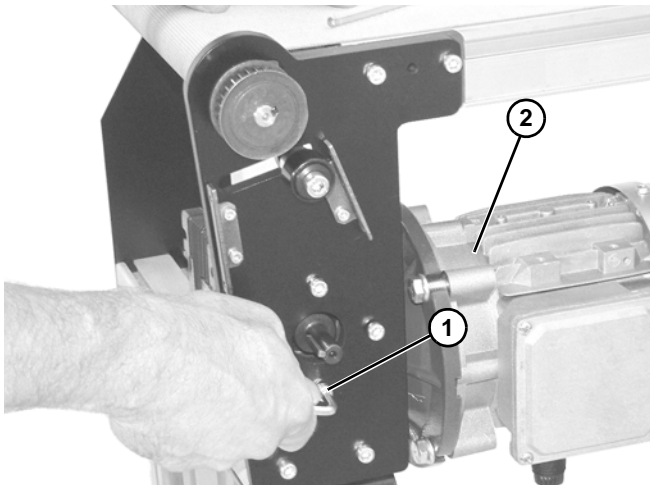
3. Loosen drive pulley set screws (**Figure 25, item 2**). Remove drive pulley (**Figure 25, item 3**) and timing belt (**Figure 25, item 4**).

## NOTE

*Follow proper procedure below depending upon old or new style gearmotor assembly.*

### For eDrive style gearmotor

1. Remove screws (**Figure 26, item 1**) and gearmotor (**Figure 26, item 2**).

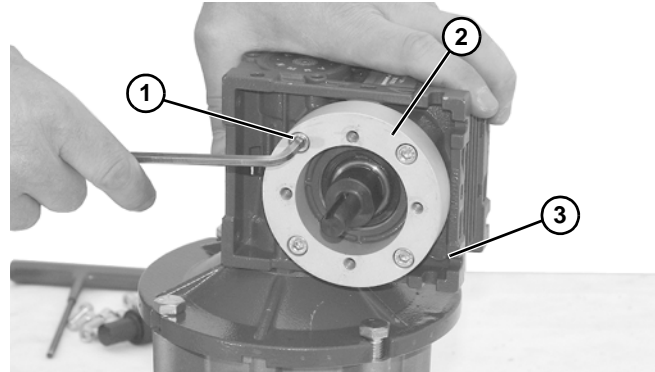


**Figure 26**

## NOTE

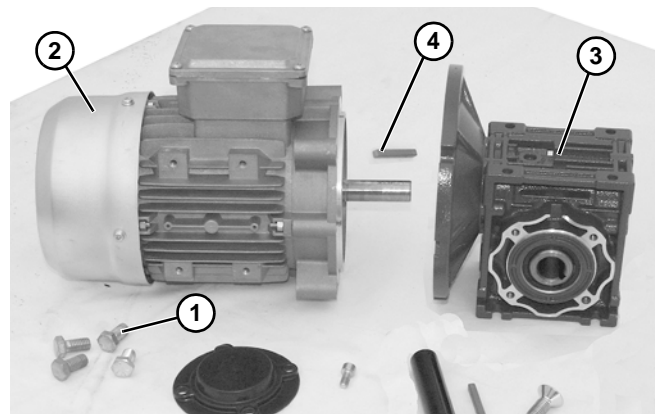
*Step 2 and (Figure 27, item 2) is required for standard load VFD gearmotors only.*

2. Loosen four (4) socket head screws (**Figure 27, item 1**) and detach spacer (**Figure 27, item 2**) from gear reducer (**Figure 27, item 3**).



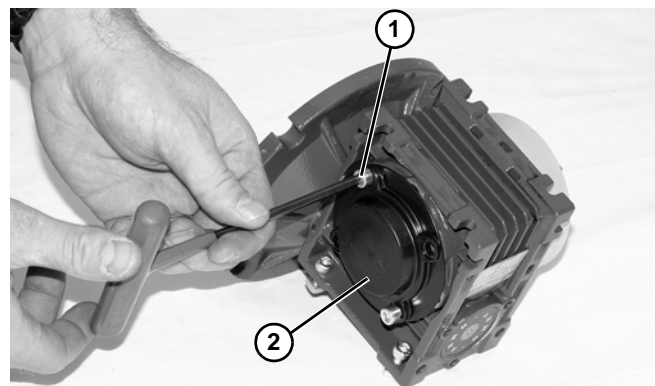
**Figure 27**

3. Remove four screws (**Figure 28, item 1**). Detach motor (**Figure 28, item 2**) from gear reducer (**Figure 28, item 3**). Retain shaft key (**Figure 28, item 4**).



**Figure 28**

4. Remove two (2) screws (**Figure 29, item 1**) and detach output shaft cover (**Figure 29, item 2**).



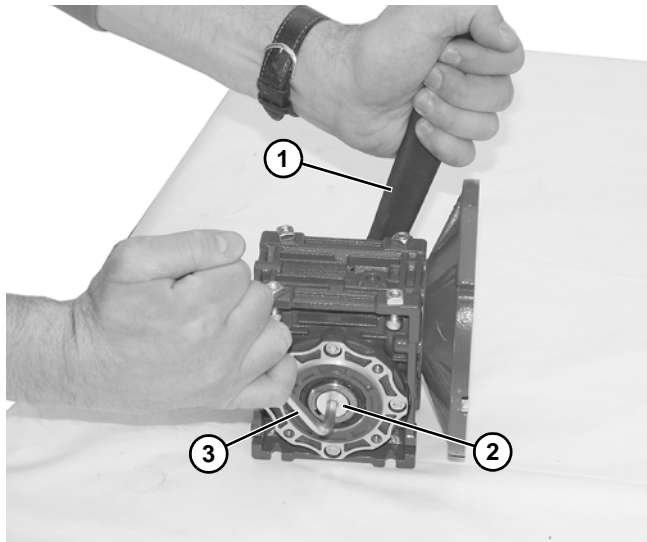
**Figure 29**

5. Remove gear reducer components:



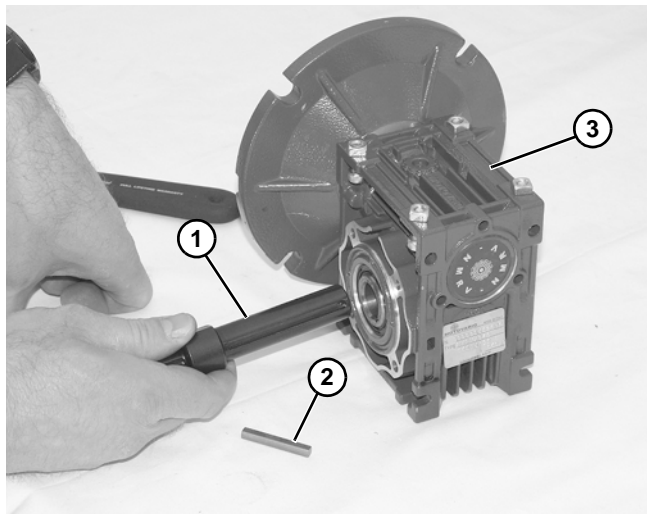
# Preventive Maintenance and Adjustment

6. Hold the driveshaft with a wrench (**Figure 30, item 1**) as shown to keep shaft from turning, while removing screw (**Figure 30, item 2**) with hex wrench (**Figure 30, item 3**).



**Figure 30**

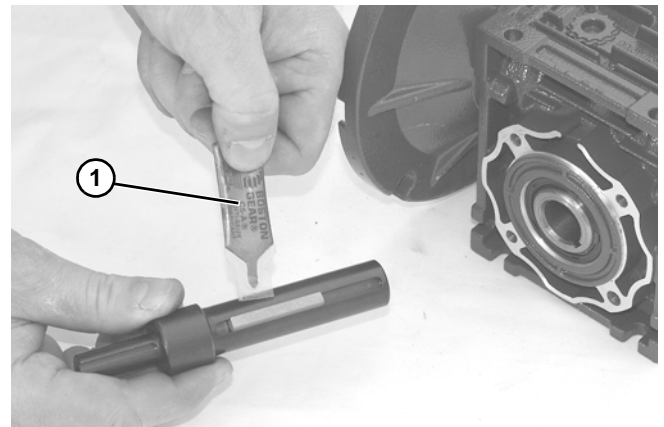
7. Remove driveshaft (**Figure 31, item 1**) and key (**Figure 31, item 2**).



**Figure 31**

8. Replace gear reducer (**Figure 31, item 3**).

9. Apply anti-seize (**Figure 32, item 1**) to shaft.



**Figure 32**

10. Replace the original shaft components into new gear reducer (**Figure 31**).

## IMPORTANT

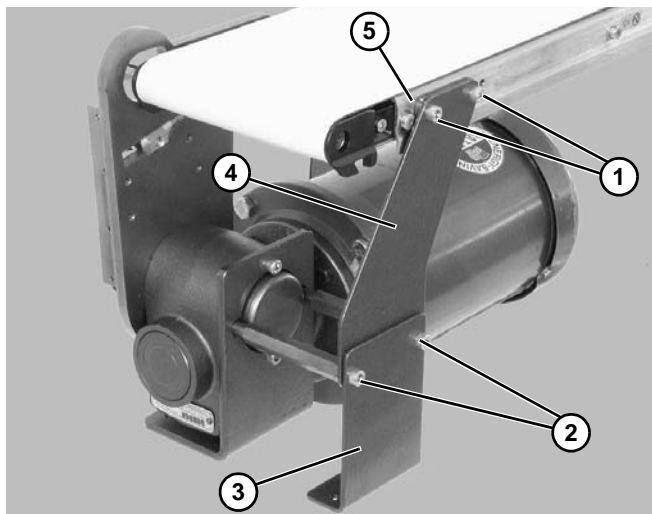
*Be extremely careful when coupling motor to gear reducer. Avoid misalignment and forcing the connection causing possible permanent gear reducer seal damage.*

11. Hold the driveshaft with a wrench (**Figure 30, item 2**) as shown to keep shaft from turning, while installing screw with hex wrench (**Figure 30, item 3**). Tighten screw to 350 in-lb (39.5 Nm).
12. Apply anti-seize to motor shaft before assembling to gearbox. With key (**Figure 28, item 4**) in keyway, slide motor (**Figure 28, item 2**) and gear reducer (**Figure 28, item 3**) together. Install screws (**Figure 28, item 1**) and tighten.
13. Reverse steps 1 through 5 beginning on page 15.
14. Complete installation steps 10 through 14 of “Installation” section on pages 12-13.

# Preventive Maintenance and Adjustment

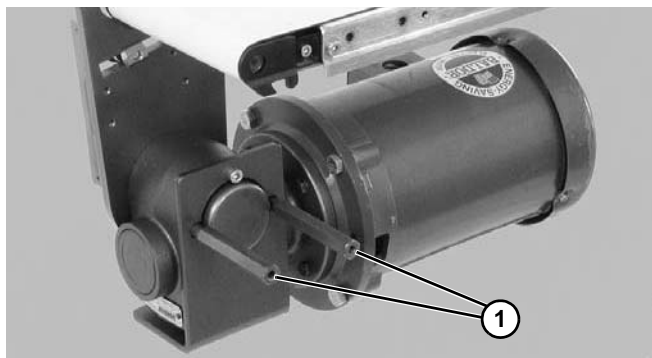
## For old style gearmotor prior to June 2011

1. Remove screws (**Figure 33, item 1 and 2**) and remove support bracket (**Figure 33, item 3**), support plate (**Figure 33, item 4**) and spacer (**Figure 33, item 5**).



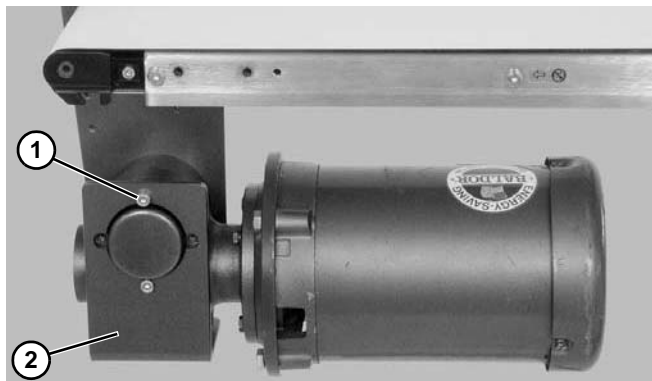
**Figure 33**

2. Remove hex support posts (**Figure 34, item 1**).



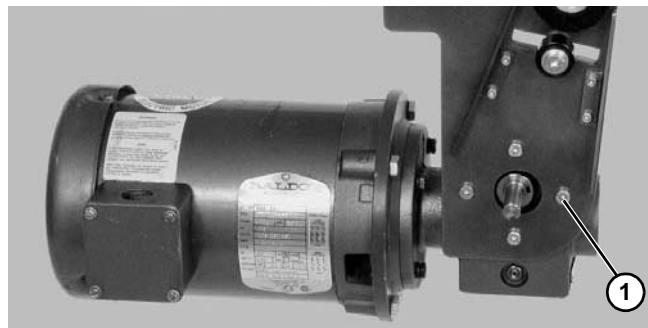
**Figure 34**

3. Remove two (2) bracket screws (**Figure 35, item 1**) and remove bracket (**Figure 35, item 2**).



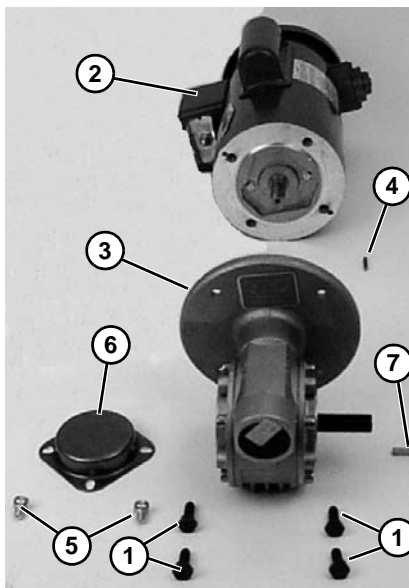
**Figure 35**

4. Remove four (4) gear reducer mounting screws (**Figure 36, item 1**). Remove gear reducer and gearmotor assembly.



**Figure 36**

5. Remove four screws (**Figure 37, item 1**). Detach motor (**Figure 37, item 2**) from gear reducer (**Figure 37, item 3**). Retain motor output shaft key (**Figure 37, item 4**).

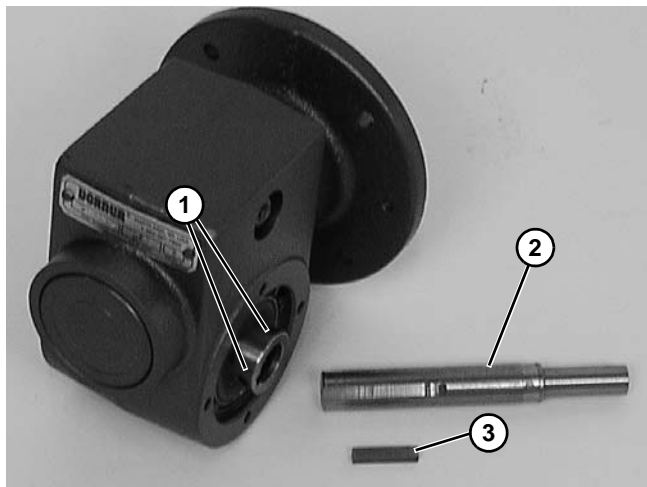


**Figure 37**

6. Remove two (2) screws (**Figure 37, item 5**) and detach output shaft cover (**Figure 37, item 6**).
7. Remove gear reducer output shaft key (**Figure 37, item 7**).

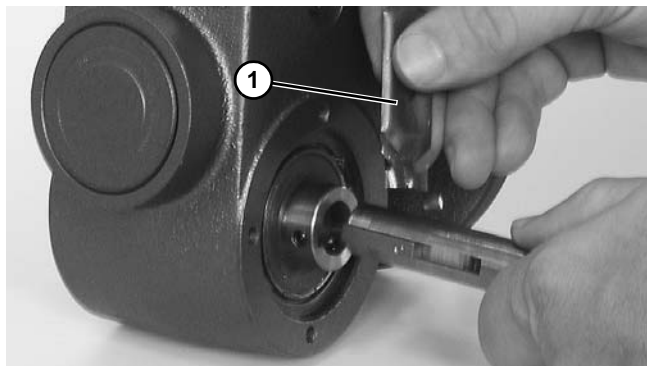
# Preventive Maintenance and Adjustment

- Loosen six (6) set screws (**Figure 38, item 1**). Remove drive shaft (**Figure 38, item 2**) and key (**Figure 38, item 3**).



**Figure 38**

- Apply anti-seize (**Figure 39, item 1**) to shaft.



**Figure 39**

- Replace the original shaft components into new gear reducer (**Figure 38**).

## IMPORTANT

*Be extremely careful when coupling motor to gear reducer. Avoid misalignment and forcing the connection causing possible permanent gear reducer seal damage.*

- Apply anti-seize to motor shaft before assembling to gearbox. With key (**Figure 37, item 4**) in keyway, slide motor (**Figure 37, item 2**) and gear reducer (**Figure 37, item 3**) together. Install screws (**Figure 37, item 1**) and tighten.
- Reverse steps 1 through 7 beginning on page 15.
- Complete installation steps 10 through 14 of "Installation" section on pages 12-13.

## Motor Replacement

### ⚠ WARNING



Exposed moving parts can cause severe injury.

**LOCK OUT POWER** before removing guards or performing maintenance.

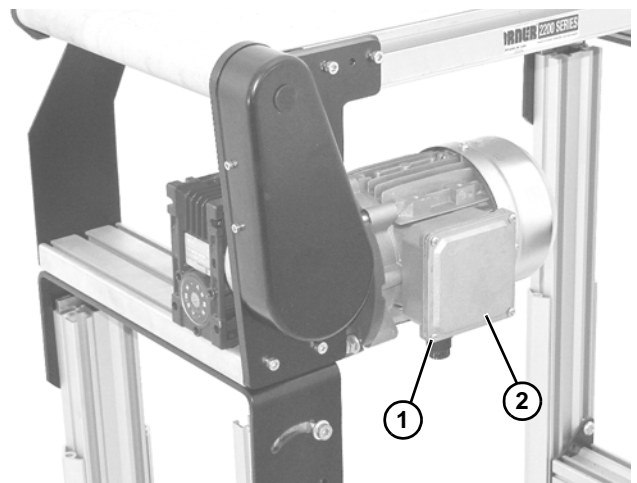
### ⚠ DANGER



Hazardous voltage will cause severe injury or death.

**LOCKOUT POWER BEFORE** before wiring.

- For single phase motor, unplug power cord from outlet.
- For three phase and VFD variable speed motor:
  - Loosen terminal box screws (**Figure 40, item 1**) and remove cover (**Figure 40, item 2**).

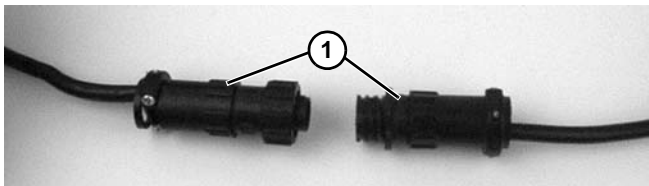


**Figure 40**

- Record wire colors on terminals 1, 2 and 3. Loosen wire nuts and remove wires 1, 2 and 3.
- Loosen cord grip and remove cord.

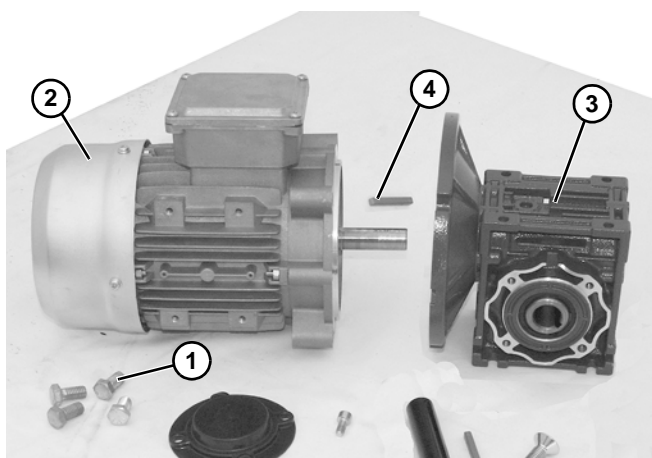
# Preventive Maintenance and Adjustment

3. For DC variable speed motor, unplug motor cord at disconnect (**Figure 41, item 1**).



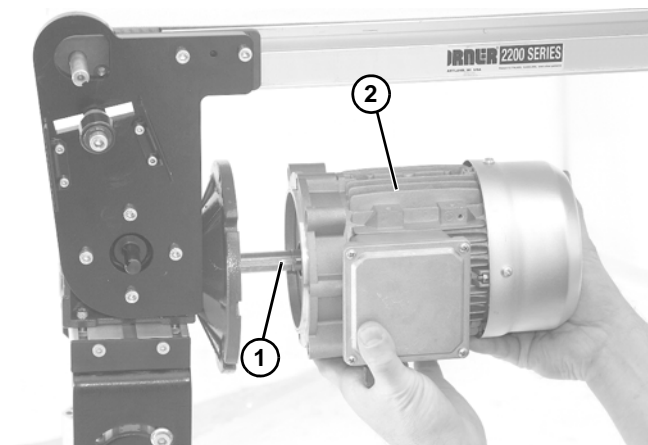
**Figure 41**

4. Remove four screws (**Figure 42, item 1**). Detach motor (**Figure 42, item 2**) from gear reducer (**Figure 42, item 3**). Retain motor output shaft key (**Figure 42, item 4**).



**Figure 42**

5. Apply anti-seize to motor shaft before assembling to gearbox. With key (**Figure 43, item 1**) in keyway, slide motor and gear reducer together. Install screws (**Figure 43, item 2**) and tighten.



**Figure 43**

6. Replace wiring:
  - For a single phase motor, reverse step 1 on page 19.
  - For a three phase and VFD variable speed motor, reverse step 2 on page 19.
  - For a DC variable speed motor, reverse step 3 on page 20.


## IMPORTANT

*Be extremely careful when coupling motor to gear reducer. Avoid misalignment and forcing the connection causing possible permanent gear reducer seal damage.*

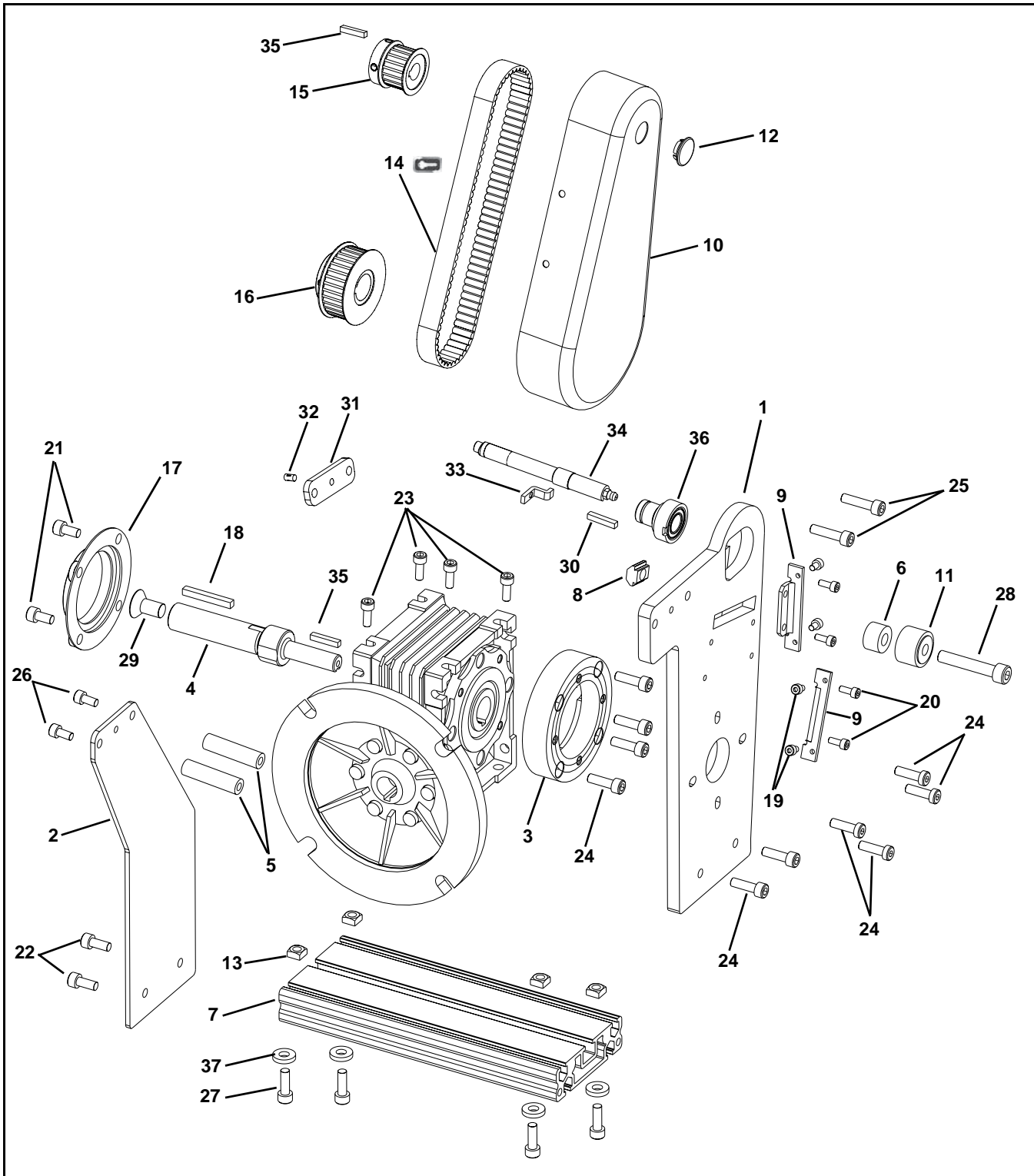


# Service Parts

## NOTE

For replacement parts other than those shown in this section, contact an authorized Dornier Service Center or the factory. Key Service Parts and Kits are identified by the Performance Parts Kits logo . Dornier recommends keeping these parts on hand.

## 2100, 2200, 2300, 4100, 6200 Series Bottom Mount Drive Package



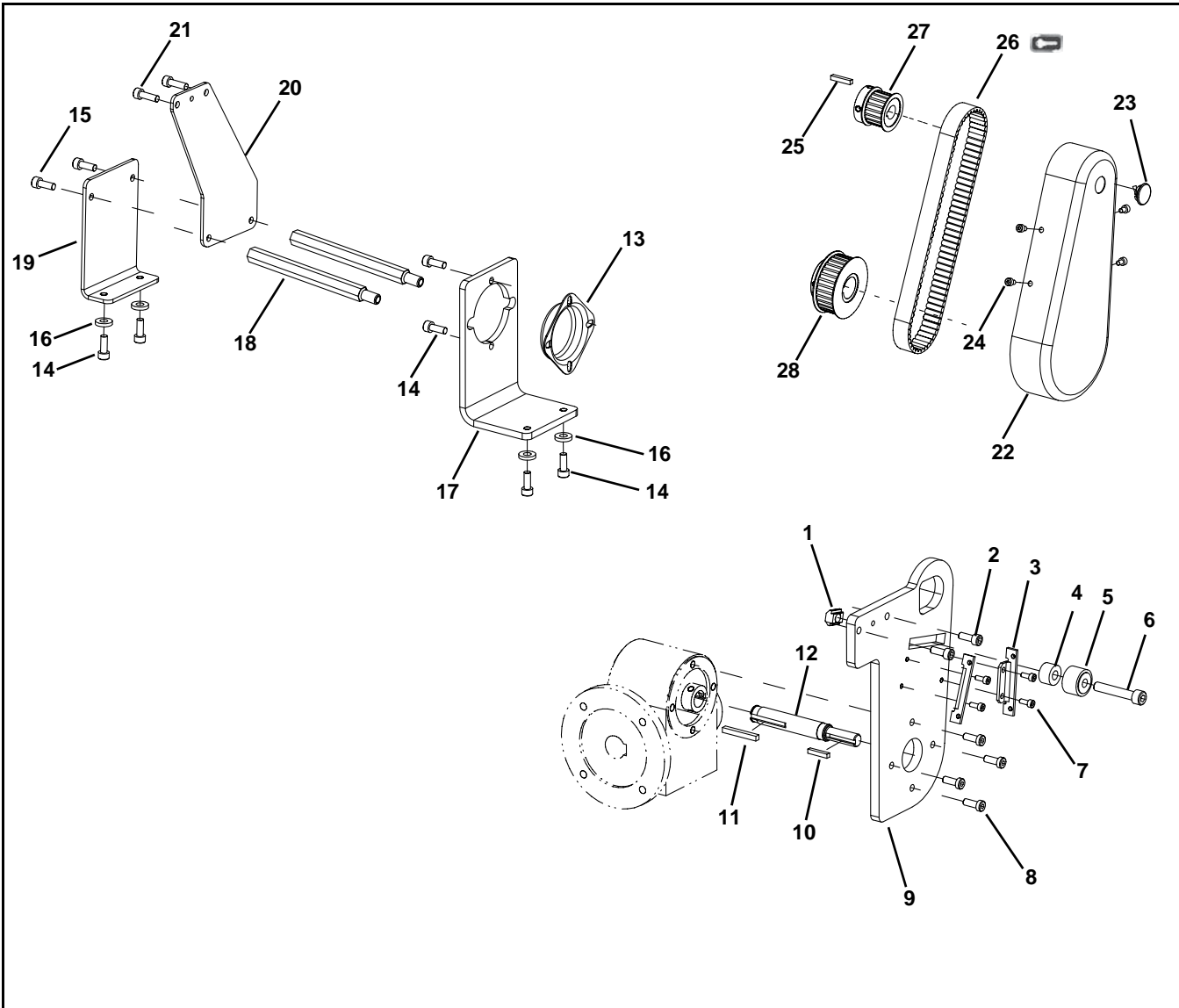
# Service Parts

Item	Part Number	Description
1	202279	Mounting Plate
	202278	Mounting Plate (Flush Mount Only)
2	202285	Gearhead/Conveyor Support Plate
	202282	Gearhead/Conveyor Support Plate (Flush Mount Only)
	202281	Gearhead/Conveyor Support Plate (4100 Series)
3	350115	Adapter Extrusion
4	350122	Output Shaft (for E-Drive 56 C Face Gearmotors)
	350136	Output Shaft (for E-Drive IEC 63B5 and IEC 71B5 Gearmotors)
5	450155	Spacer for 2" (51 mm) Wide Conveyor
	450156	Spacer for 3" (76 mm) Wide Conveyor
	450158M	Spacer for 2" (51 mm) Wide Conveyor (6200 Series)
	450157M	Spacer for 3" (76 mm) Wide Conveyor (6200 Series)
6	450445	Spacer
7	202286-00436	Extrusion for 2" (51 mm) & 3" (76 mm) Wide Conveyors
	202286-00443	Extrusion for 4" (102 mm) Wide Conveyors
	202286-00568	Extrusion for 5" (127 mm) Wide Conveyors
	202286-00668	Extrusion for 6" (152 mm) Wide Conveyors
	202286-00868	Extrusion for 8" (203 mm) Wide Conveyors
	202286-01068	Extrusion for 10" (254 mm) Wide Conveyors
	202286-01268	Extrusion for 12" (305 mm) Wide Conveyors
	202286-01868	Extrusion for 18" (457 mm) Wide Conveyors
	202286-02168	Extrusion for 21" (533 mm) Wide Conveyors
	202286-02468	Extrusion for 24" (610 mm) Wide Conveyors
8	202390M	Nut
9	450375M	Cover Mounting Bracket
10	450376M	Drive Guard
11	802-046	Bearing
12	807-226	Snap-out Plastic Plug
13	807-920	Nut
14	814-104	Timing Belt, 15 mm W x 450 mm L
	814-105	Timing Belt, 15 mm W x 460 mm L
	814-065	Timing Belt, 15 mm W x 475 mm L
	814-112	Timing Belt, 15 mm W x 495 mm L
	814-101	Timing Belt, 15 mm W x 500 mm L
	814-108	Timing Belt, 15 mm W x 520 mm L
	814-064	Timing Belt, 15 mm W x 535 mm L
	814-099	Timing Belt, 15 mm W x 565 mm L
15	450365MP	Driven Pulley, 19 Tooth
	450366MP	Driven Pulley, 22 Tooth
	450367MP	Driven Pulley, 28 Tooth
	450368MP	Driven Pulley, 32 Tooth

Item	Part Number	Description
16	450365MP	Drive Pulley, 19 Tooth
	450366MP	Drive Pulley, 22 Tooth
	450367MP	Drive Pulley, 28 Tooth
	450368MP	Drive Pulley, 32 Tooth
	450369MP	Drive Pulley, 44 Tooth
	450370MP	Drive Pulley, 48 Tooth
17	807-2016	Plastic Cover
18	912-084	Square Key, 0.188" x 0.150" (for E-Drive 56 C Face Gearmotors)
	980636M	Square Key, 6 mm x 36 mm (for E-Drive IEC 63B5 and IEC 71B5 Gearmotors)
19	920406M	Socket Head Screw, M4-.70 x 6 mm
20	920410M	Socket Head Screw, M4-.70 x 10 mm
21	920612M	Socket Head Screw, M6-1.00 x 12 mm
22	920614M	Socket Head Screw, M6-1.00 x 14 mm
23	920616M	Socket Head Screw, M6-1.00 x 16 mm
24	920620M	Socket Head Screw, M6-1.00 x 20 mm
25	920625M	Socket Head Screw, M6-1.00 x 25 mm
26	920620M	Socket Head Screw, M6-1.00 x 20 mm
	920670M	Socket Head Screw, M6-1.00 x 70 mm for 2" (51 mm) Wide Conveyors
	920645M	Socket Head Screw, M6-1.00 x 45 mm for 3" (76 mm) Wide Conveyors
27	920694M	Low Head Cap Screw, M6-1.00 x 20 mm
	920618M	Socket Head Screw, M6-1.00 x 18 mm (4100 Series)
28	920845M	Socket Head Screw, M8-1.25 x 45 mm
29	931020MSS	Flat Head Screw M10-1.50 x 20 mm
30	980422M	Square Key, 4 mm x 22 mm
31	450027M	Drive Spacer (6200 Series)
32	807-952	Groove Pin (6200 Series)
33	43-38-08	Outboard Retaining Clip (4100 Series)
34	43-38-1-05	Outboard Drive Shaft 1" (25 mm) Wide (4100 Series)
	216202M	Outboard Drive Shaft 2" (51 mm) Wide (4100 Series)
	216203M	Outboard Drive Shaft 3" (76 mm) Wide (4100 Series)
	216204M	Outboard Drive Shaft 4" - 12" (102 mm - 305 mm) Wide (4100 Series)
35	912-053	Square Key, 0.125" x 0.75" for 1" (25 mm) Wide (4100 Series)
	980422M	Square Key, 4 mm x 22 mm for 2" - 12" (51 mm - 305 mm) Wide (4100 Series)
36	43-38-1-11	Retaining Sleeve for 1" (25 mm) Wide (4100 Series)
	43-38-2-18	Retaining Sleeve for 2" - 12" (51 mm - 305 mm) Wide (4100 Series)
37	605279P	Hard Washer

# Service Parts

## MPB Series Flat Belt Bottom Mount Drive Package (Old Style Gearmotor Only)





# Service Parts

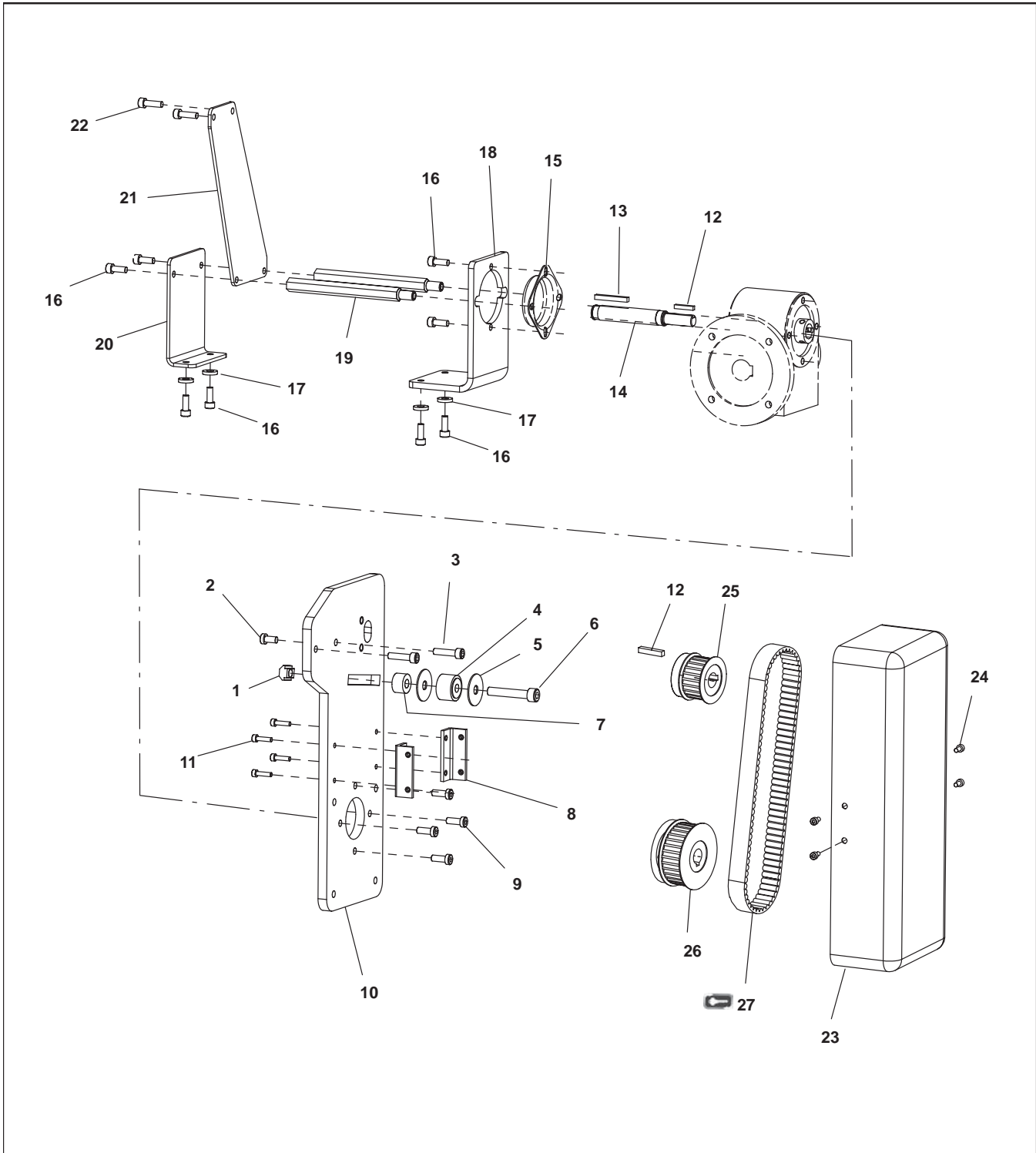
Item	Part Number	Description
1	202390M	Nut
2	920625M	Socket Head Screw M6x25mm
3	450375M	Cover Mounting Bracket
4	450445	Spacer
5	802-046	Bearing
6	920845M	Socket Head Screw M8x45mm
7	920410M	Socket Head Screw M4x10mm
8	920693M	Socket Low Head Screw M6x16mm
9	450443M	Grove Mounting Plate
10	980422M	Square Key 4mm x 22mm
11	912-084	Square Key, 0.188 x 1.5"
12	450444M	Grove Output Shaft 12mm
13	300139	Drive-Bearing Shaft Cover
14	920616M	Socket Head Screw M6x16mm
15	920608M	Socket Head Screw M6x8mm
16	605279P	Hard Washer
17	450441M	Gearhead Support Bracket
18	4533WWM	Gearhead Support Hex Post
19	450440M	End Support Bracket
20	450442M	Gearhead/Conveyor Support Plate

Item	Part Number	Description	
21	920620M	Socket Head Screw M6x20mm	
22	450376M	Drive Guard	
23	807-226	Snap-out Plastic Plug	
24	920406M	Socket Head Screw M4x6mm	
25	980422M	Square Key 4mm x 22mm	
26	814-104	Timing Belt, 15mm W x 450mm L	
	814-105	Timing Belt, 15mm W x 460mm L	
	814-065	Timing Belt, 15mm W x 475mm L	
	814-112	Timing Belt, 15mm W x 495mm L	
	814-101	Timing Belt, 15mm W x 500mm L	
	814-108	Timing Belt, 15mm W x 520mm L	
	814-064	Timing Belt, 15mm W x 535mm L	
	814-099	Timing Belt, 15mm W x 565mm L	
	27	450365MP	Driven Pulley, 19Tooth, 12mm bore
		450366MP	Driven Pulley, 22Tooth, 12mm bore
450367MP		Driven Pulley, 28Tooth, 12mm bore	
450368MP		Driven Pulley, 32Tooth, 12mm bore	
28		450365MP	Drive Pulley, 19Tooth, 12mm bore
	450366MP	Drive Pulley, 22Tooth, 12mm bore	
	450367MP	Drive Pulley, 28Tooth, 12mm bore	
	450368MP	Drive Pulley, 32Tooth, 12mm bore	
	450369MP	Drive Pulley, 44Tooth, 12mm bore	
	450370MP	Drive Pulley, 48Tooth, 12mm bore	

WW = Conveyor width ref.: 04, 06, 12, 18, 24

# Service Parts

## MPB Series Cleated Belt Bottom Mount Drive Package (Old Style Gearmotor Only)



# Service Parts

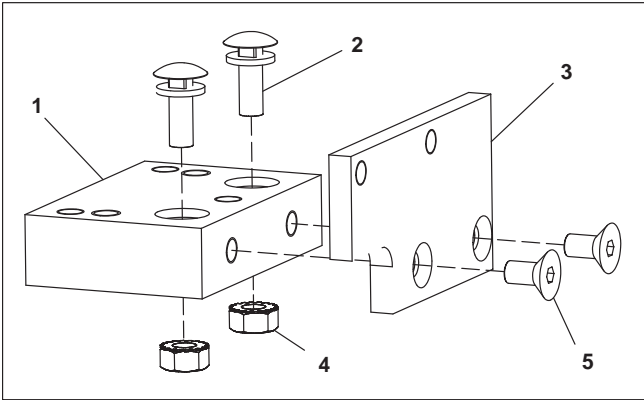
Item	Part Number	Description
1	202390M	Nut
2	920692M	Socket Low Head Screw M6 x 12mm
3	920625M	Socket Head Screw M6x25mm
4	802-046	Bearing
5	807-1133	Washer
6	920845M	Socket Head Screw M8x45mm
7	450445	Spacer
8	243402	Cover Mounting Angle
9	920693M	Socket Low Head Screw M6x16mm
10	243401	Mounting Plate
11	920416M	Socket Head Screw M4x16mm
12	980422M	Square Key 4mm x 22mm
13	912-084	Square Key, 0.188 x 1.5"
14	450444M	Grove Output Shaft 12mm
15	300139	Drive-Bearing Shaft Cover
16	920616M	Socket Head Screw M6x16mm
17	605279P	Hard Washer
18	450441M	Gearhead Support Bracket
19	4533WWM	Gearhead Support Hex Post
20	450440M	End Support Bracket

Item	Part Number	Description
21	243403	Gearhead/Conveyor Support Plate
22	920620M	Socket Head Screw M6x20mm
23	300871M	Drive Cover
24	920408M	Socket Head Screw M4x8mm
25	450367MP	Driven Pulley, 28Tooth, 12mm bore
	450368MP	Driven Pulley, 32Tooth, 12mm bore
26	450366MP	Drive Pulley, 22Tooth, 12mm bore
	450367MP	Driven Pulley, 28Tooth, 12mm bore
	450369MP	Drive Pulley, 44Tooth, 12mm bore
	450370MP	Drive Pulley, 48Tooth, 12mm bore
27	814-101	Timing Belt, 15mm W x 500mm L
	814-108	Timing Belt, 15mm W x 520mm L
	814-064	Timing Belt, 15mm W x 535mm L
	814-099	Timing Belt, 15mm W x 565mm L
	814-109	Timing Belt, 15mm W x 580mm L
	814-115	Timing Belt, 15mm W x 600mm L
	814-110	Timing Belt, 15mm W x 615mm L

WW = Conveyor width ref.: 04, 06, 12, 18, 24

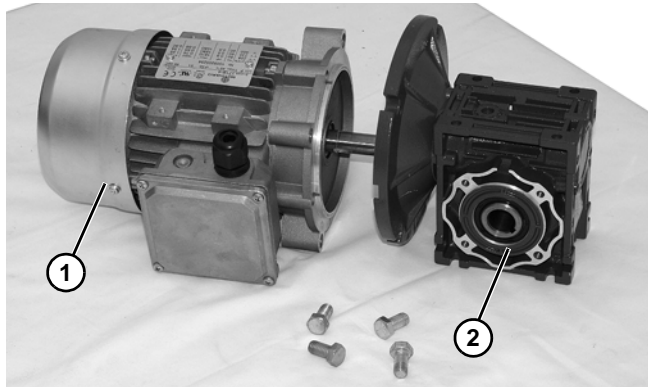
# Service Parts



## 4100 Series Adapter Package



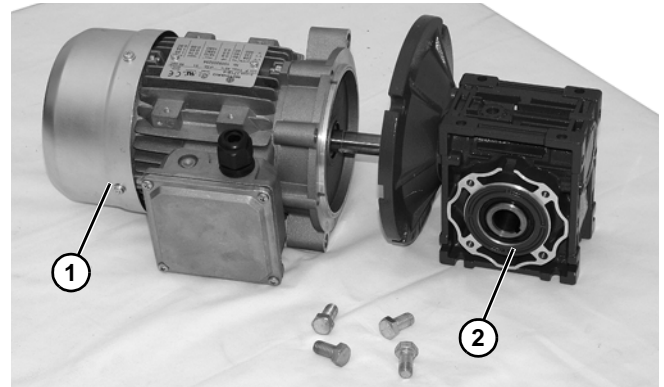
Item	Part No.	Part Description
1	609486	Mounting Block 1" (25mm)
	609487	Mounting Block 2" (51mm)
	609488	Mounting Block 3" (76mm)
	609479	Mounting Block 4" (102mm)
	609480	Mounting Block 5" (127mm)
	609481	Mounting Block 6" (152mm)
	609482	Mounting Block 7" (178mm)
	609483	Mounting Block 8" (203mm)
	609484	Mounting Block 10" (254mm)
	609485	Mounting Block 12" (305mm)
	2	613602P
3	450374	Drive Adapter Plate
4	910-126	Hex Nut with Lock Washer
5	930612M	Flat Head Screw M6 x 12mm



## U.S. Version Gearmotors



Item	Part No.	Part Description
1 	62MEH411FN	Motor, 0.5 hp (0.37 Kw) 115/230 Volts, 60 Hz, 1-Phase, non-reversing
	62MHD9DEN	Motor, 0.5 hp (0.37 Kw) 90 Volts DC
	32MES423EN	Motor, 0.5 hp (0.37 Kw) 230V, 10-60Hz, Inverter Duty, 3 Phase
	32MEH423FN	Motor, 0.5 hp (0.37 Kw) 208-230/460 Volts, 60 Hz, 3-Phase
2 	32M005ES	Gear Reducer, 5:1, 56C
	32M010ES	Gear Reducer, 10:1, 56C
	32M020ES	Gear Reducer, 20:1, 56C
	32M040ES	Gear Reducer, 40:1, 56C
	32M060ES	Gear Reducer, 60:1, 56C

## CE Version Gearmotors



Item	Part No.	Part Description
1 	826-342	Motor, 0.19 Kw 230/400 Volts, 50 Hz, 3-Phase
2 	820-262	Gear Reducer, 5:1, 71B5 RH
	820-263	Gear Reducer, 5:1, 71B5 LH
	820-264	Gear Reducer, 15:1, 71B5 RH
	820-265	Gear Reducer, 15:1, 71B5 LH
	820-266	Gear Reducer, 50:1, 71B5 RH
	820-267	Gear Reducer, 50:1, 71B5 LH

# Return Policy

Returns must have prior written factory authorization or they will not be accepted. Items that are returned to Dorner without authorization will not be credited nor returned to the original sender. When calling for authorization, please have the following information ready for the Dorner factory representative or your local distributor:

1. Name and address of customer.
2. Dorner part number(s) of item(s) being returned.
3. Reason for return.
4. Customer's original order number used when ordering the item(s).
5. Dorner or distributor invoice number (if available, part serial number).

A representative will discuss action to be taken on the returned items and provide a Returned Goods Authorization (RMA) number for reference. RMA will automatically close 30 days after being issued. To get credit, items must be new and undamaged. There will be a return charge on all items returned for credit, where Dorner was not at fault. It is the customer's responsibility to prevent damage during return shipping. Damaged or modified items will not be accepted. The customer is responsible for return freight.

## Conveyors and conveyor accessories

Standard catalog conveyors	30%
MPB, 7200, 7300 Series, cleated and specialty belt	50%
AquaGard & AquaPruf Series conveyors	non-returnable items
Engineered to order products	case by case
Drives and accessories	30%
Sanitary stand supports	non-returnable items

## Parts

Standard stock parts	30%
Plastic chain, cleated and specialty belts	non-returnable items

Returns will not be accepted after 60 days from original invoice date. The return charge covers inspection, cleaning, disassembly, disposal and reissuing of components to inventory. If a replacement is needed prior to evaluation of returned item, a purchase order must be issued. Credit (if any) is issued only after return and evaluation is complete.

Dorner has representatives throughout the world. Contact Dorner for the name of your local representative. Our Customer Service Team will gladly help with your questions on Dorner products.

For a copy of Dorner's Warranty, contact factory, distributor, service center or visit our website at [www.dorner.com](http://www.dorner.com).

For replacement parts, contact an authorized Dorner Service Center or the factory.



Dorner Mfg. Corp. reserves the right to change or discontinue products without notice. All products and services are covered in accordance with our standard warranty. All rights reserved. © Dorner Mfg. Corp. 2011

## DORNER MFG. CORP.

975 Cottonwood Ave., PO Box 20  
Hartland, WI 53029-0020 USA  
TEL 1-800-397-8664 (USA)  
FAX 1-800-369-2440 (USA)  
Internet: [www.dorner.com](http://www.dorner.com)

Outside the USA:  
TEL 1-262-367-7600  
FAX 1-262-367-5827