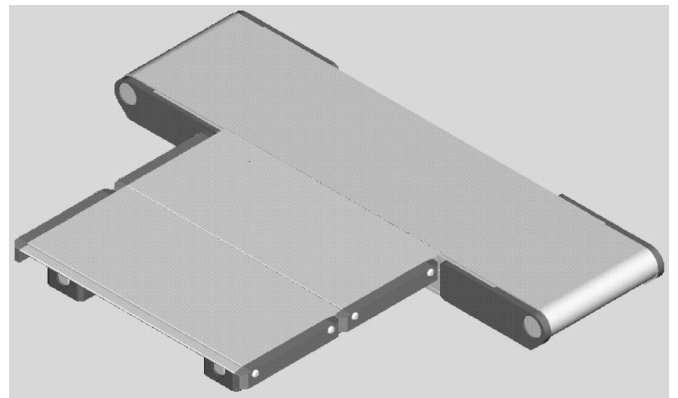
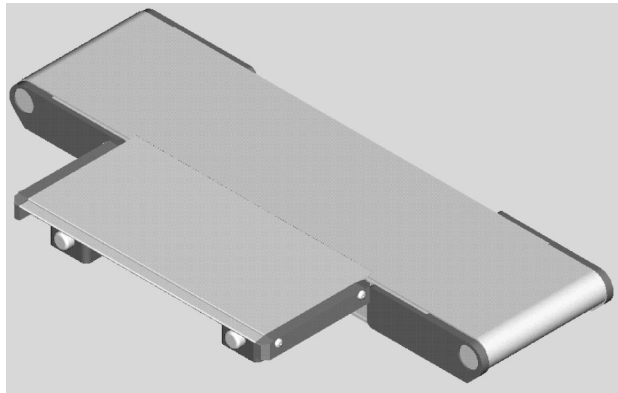




# Side Tables for 2100, 2200, 3100, LPZ & MPB Series Conveyors

Installation, Maintenance & Parts Manual



DORNER MFG. CORP.  
P.O. Box 20 • 975 Cottonwood Ave.  
Hartland, WI 53029-0020 USA

INSIDE THE USA  
TEL: 1-800-397-8664  
FAX: 1-800-369-2440

OUTSIDE THE USA  
TEL: 262-367-7600  
FAX: 262-367-5827

For other service manuals visit our website at:  
[www.dorner.com/service\\_manuals.asp](http://www.dorner.com/service_manuals.asp)

---

# Table of Contents

---

Introduction .....	2	12" (305mm) Wide Side Table .....	8
Warnings – General Safety .....	3	Adjusting Table Height .....	9
Product Description.....	4	Tie Bracket Supports.....	11
Specifications .....	5	Service Parts .....	12
Models:.....	5	6" (152 mm) Wide Table .....	12
Specifications: .....	5	12" (305 mm) Wide Table .....	13
Installation.....	6	Return Policy .....	14
Required Tools .....	6		
6" (152 mm) Wide Side Table.....	6		

---

## Introduction

---

<b>IMPORTANT</b>
------------------

<i>Some illustrations may show guards removed. Do NOT operate equipment without guards.</i>
---

Dorner conveyors are covered by Patent Nos. 5,131,529, 5,156,260, 5,156,261, 5,174,435, 5,203,447, 5,265,714, 5,875,883, and corresponding patents and patent applications in other countries.

Dorner's Limited Warranty applies.

Dorner reserves the right to make changes at any time without notice or obligation.

Upon receipt of shipment:

- Compare shipment with packing slip. Contact factory regarding discrepancies.
- Inspect packages for shipping damage. Contact carrier regarding damage.
- Accessories may be shipped loose. See accessory instructions for installation.

# Warnings – General Safety

**⚠ WARNING**

The safety alert symbol, black triangle with white exclamation, is used to alert you to potential personal injury hazards.

**⚠ DANGER**




Climbing, sitting, walking or riding on conveyor will cause severe injury.  
**KEEP OFF CONVEYORS.**

**⚠ DANGER**




Do NOT OPERATE CONVEYORS IN AN EXPLOSIVE ENVIRONMENT.

**⚠ WARNING**




Exposed moving parts can cause severe injury.  
**LOCK OUT POWER** before removing guards or performing maintenance.

**⚠ WARNING**




Side tables are designed to support 5 lbs per linear foot (2.3 kg/m)  
**DO NOT OVERLOAD SIDE TABLE.**

**⚠ WARNING**



Do not use with support stands equipped with casters.  
Support stands must be anchored to the floor.

**⚠ WARNING**




Dorner cannot control the physical installation and application of conveyors. Taking protective measures is the responsibility of the user.  
When conveyors are used in conjunction with other equipment or as part of a multiple conveyor system, **CHECK FOR POTENTIAL PINCH POINTS** and other mechanical hazards before system start-up.

**⚠ WARNING**



Do not use if conveyed product over hangs the edge of the conveyor belt due to pinch point created

**⚠ WARNING**



Exposed moving parts can cause severe injury  
**DO NOT MAKE TABLE ADJUSTMENTS WITH CONVEYOR RUNNING.**

---

# Product Description

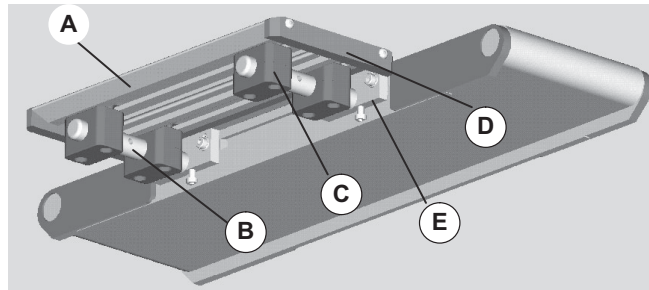
---

Side Tables are capable of being used on 2100, 2200, 3100, LPZ, and MPB series conveyors. The following are application examples:

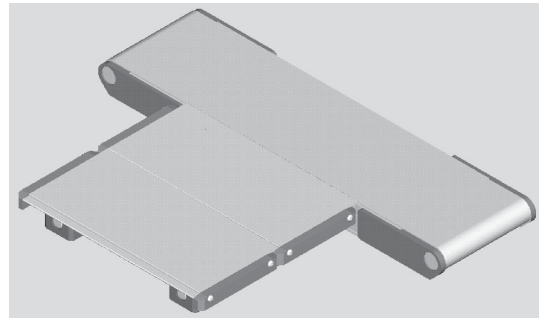
- 6" (152 mm) Side Table on 2200 Series conveyor Figure 1
- 12" (305 mm) Side Table on 2200 Series conveyor Figure 2

## Typical Components:

A	Side Table Plate
B	Support Bar
C	Tube Clamp
D	End Plate
E	Adaptor Plate



**Figure 1**



**Figure 2**

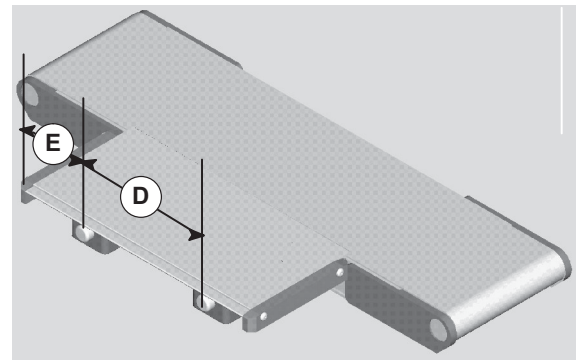
## Models:

27M **XXX** - **WW** **LLLL**  
Table Length Reference\*  
WIDTH:  
06 = 6" wide table  
12 = 12" wide table  
601 = 2200, 3100, 3200 one side  
602 = 2200, 3100, 3200 two sides  
603 = MPB one side  
604 = MPB two sides

\* See "Ordering and Specifications" Catalog for details.

## Specifications:

- Available in standard 1-ft (305 mm) increments
- Available in 6" (152mm) or 12" (305mm) widths
- Max load of 5 lbs per foot length (2.3 kg/m)
- Above, below, or flush height adjustment for ease of product transfer
- Product width
  - 12" (305 mm) maximum
  - 6" (152 mm) minimum
- Table support bar maximum distances (Figure 3)
  - D = 36" (914 mm) maximum
  - E = 12" (305 mm) maximum



**Figure 3**


# Installation

## Required Tools

- Hex key wrenches
  - 4 mm
  - 5 mm
- Torque wrench


## 6" (152 mm) Wide Side Table

**⚠ WARNING**




Side tables are designed to support 5 lbs per linear foot (2.3 kg/m)  
**DO NOT OVERLOAD SIDE TABLE.**

**⚠ WARNING**




Exposed moving parts can cause severe injury.  
**LOCK OUT POWER** before removing guards or performing maintenance.

**⚠ WARNING**




Exposed moving parts can cause severe injury  
**DO NOT MAKE TABLE ADJUSTMENTS WITH CONVEYOR RUNNING.**

**⚠ WARNING**



Do not use with support stands equipped with casters.  
Support stands must be anchored to the floor.

**⚠ WARNING**



Do not use if conveyed product over hangs the edge of the conveyor belt due to pinch point created

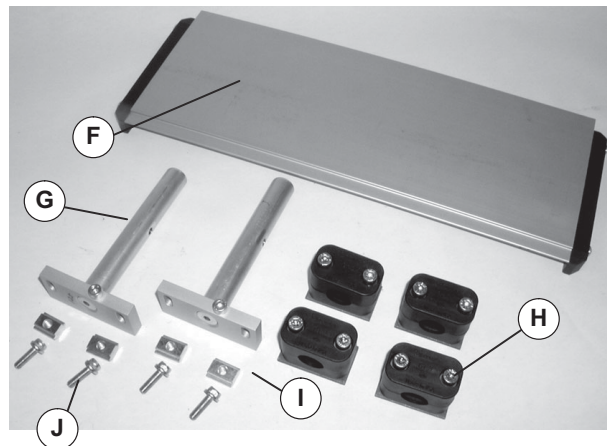
### Illustration References:

- |   |                               |
|---|-------------------------------|
| F | Side Table                    |
| G | Support Bar Assembly          |
| H | Clamps                        |
| I | T-bar                         |
| J | M6 x 14 mm Socket Head Screws |

1. Typical components (Figure 4)

**NOTE**

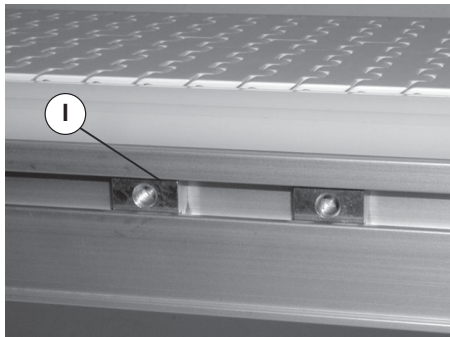
Quantities vary depending on accessory length. Items F and H are shown separate for illustration purposes only. They are shipped assembled.



**Figure 4**

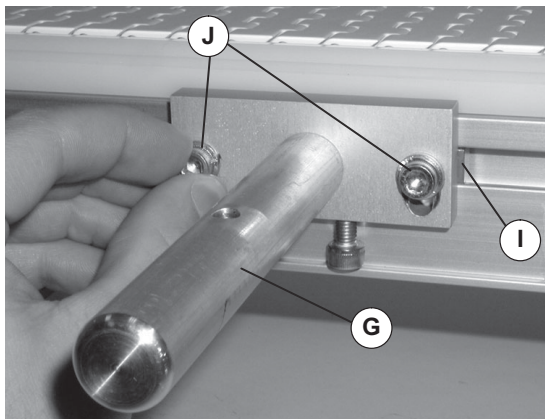
# Installation

2. Remove any guiding on the table side of the conveyor.
3. Insert T-bars (Figure 5, item I) in side of conveyor.



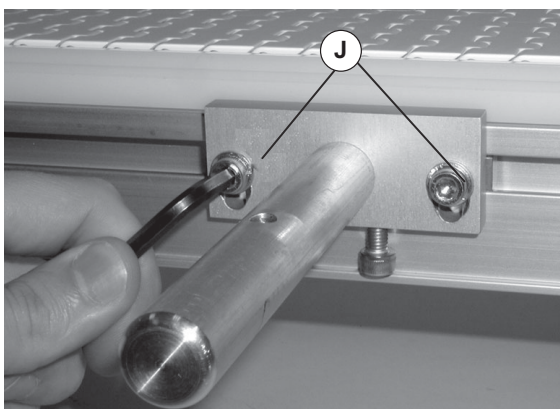
**Figure 5**

4. Attach support bar assembly (Figure 6, item G) to conveyor using T-bar (I) with screws (J), hand tighten.



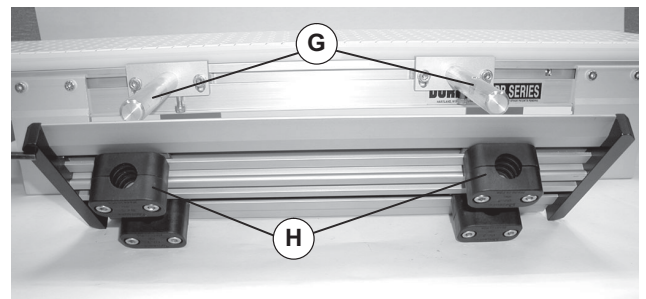
**Figure 6**

5. Repeat steps 3 and 4 for each support bar assembly, space support bars evenly through length of table.
6. Once support bars are spaced evenly, tighten screws (Figure 7, item J) snugly with 5 mm hex wrench.



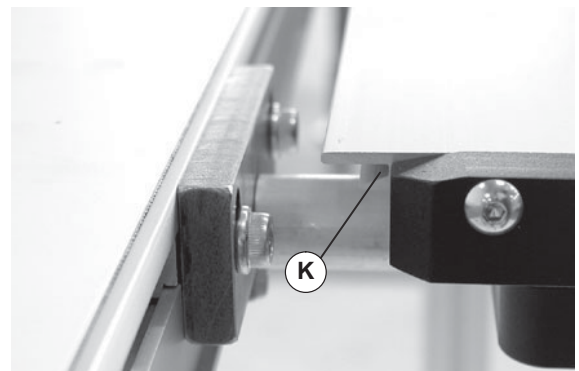
**Figure 7**

7. Space clamps (Figure 8, item H) same distance apart as support bars (G).



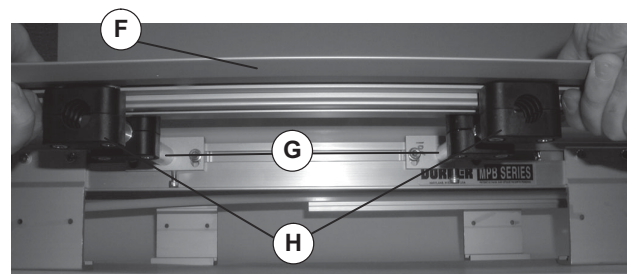
**Figure 8**

8. Orient table such that pocket (Figure 9, item K) is toward the conveyor.



**Figure 9**

9. Lift table (Figure 10, item F) and slide clamps (H) on to support bars (G).



**Figure 10**

# Installation

10. Adjust horizontal position of table. Tighten clamp screws (Figure 11, item L).

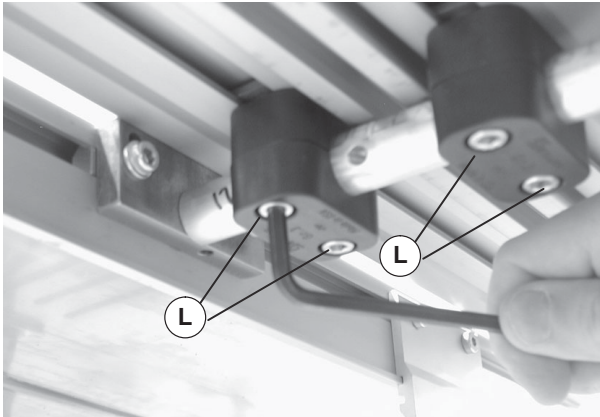


Figure 11

11. Adjust the height of the table. See “Adjusting Table Height” section on page 9.

## 12” (305mm) Wide Side Table

**⚠ WARNING**

Side tables are designed to support 5 lbs per linear foot (2.3 kg/m)  
**DO NOT OVERLOAD SIDE TABLE.**

**⚠ WARNING**

Exposed moving parts can cause severe injury.  
**LOCK OUT POWER** before removing guards or performing maintenance.

**⚠ WARNING**

Exposed moving parts can cause severe injury  
**DO NOT MAKE TABLE ADJUSTMENTS WITH CONVEYOR RUNNING.**

**⚠ WARNING**

Do not use with support stands equipped with casters.  
Support stands must be anchored to the floor.

**⚠ WARNING**

Do not use if conveyed product over hangs the edge of the conveyor belt due to pinch point created

### Illustration References:

F	Side Table
G	Support Bar Assembly
H	Clamps
I	T-bar
J	M6 x 14 mm Socket Head Screws

1. Typical components (Figure 12)

**NOTE**

Quantities vary depending on accessory length. Items F and H are shown separate for illustration purposes only. They are shipped assembled.

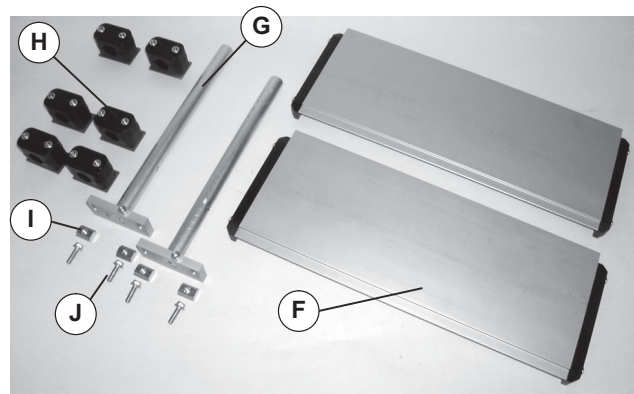


Figure 12

2. Follow steps 2 through 10 of “6” (152 mm) Wide Side Table” starting on page 7.



- Orient second table (Figure 13, item N) so it will mate with the first table (M). Lift second table (Figure 14, item F) and slide clamps (H) on to support bars (G). There is only one additional clamp per support bar.

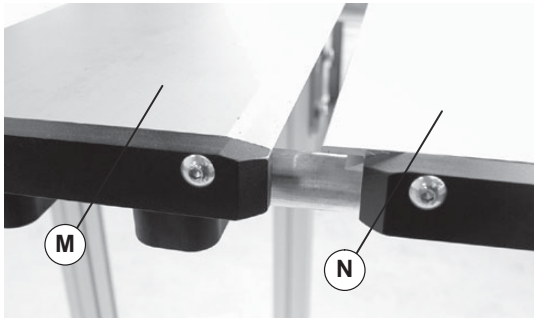


Figure 13

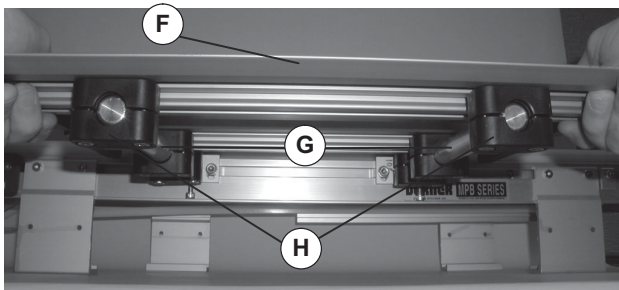


Figure 14

- Tighten second set of clamp screws (Figure 15, item L) to 30 in-lb (2.5 N-m).

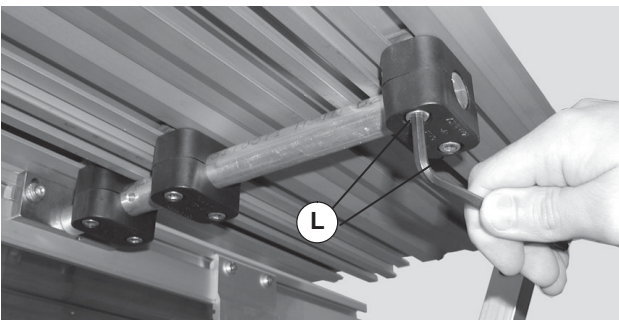


Figure 15

- Adjust the height of the table. See “Adjusting Table Height” section on page 9.

## Adjusting Table Height

### ⚠ WARNING



Exposed moving parts can cause severe injury.

**LOCK OUT POWER** before removing guards or performing maintenance.

### ⚠ WARNING

Remove load from table prior to adjusting height.

### ⚠ WARNING



Exposed moving parts can cause severe injury

**DO NOT MAKE TABLE ADJUSTMENTS WITH CONVEYOR RUNNING.**

### NOTE

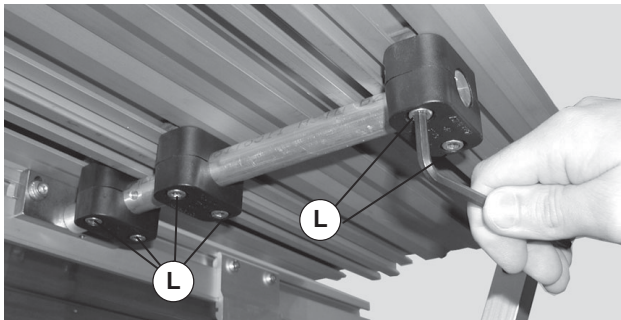
Table has multiple height positions. See Figure 16 for examples.



Figure 16

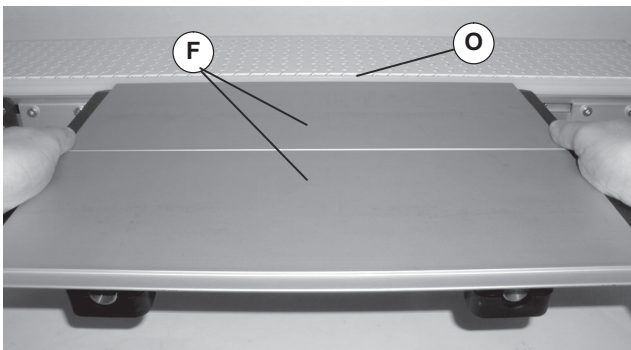
# Installation

1. Loosen all clamp screws (Figure 17, item L) on each support bar.



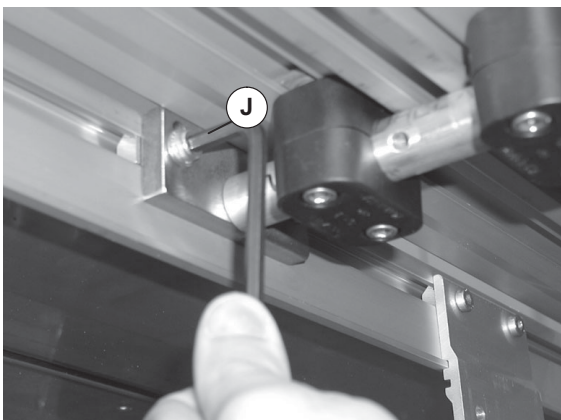
**Figure 17**

2. Pull table (Figure 18, item F) away from conveyor (O) about 1/2" (13 mm).



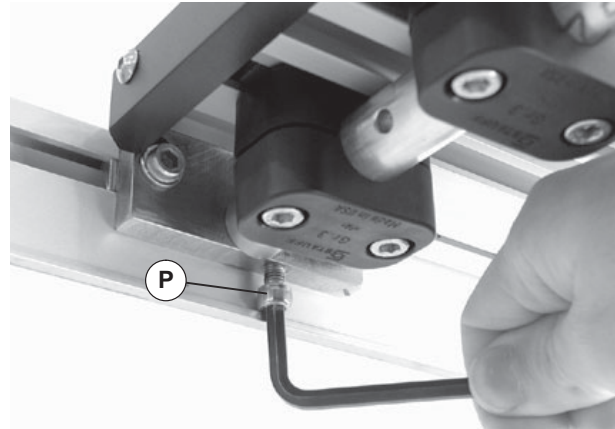
**Figure 18**

3. Loosen support bar mounting screws (Figure 19, item J).



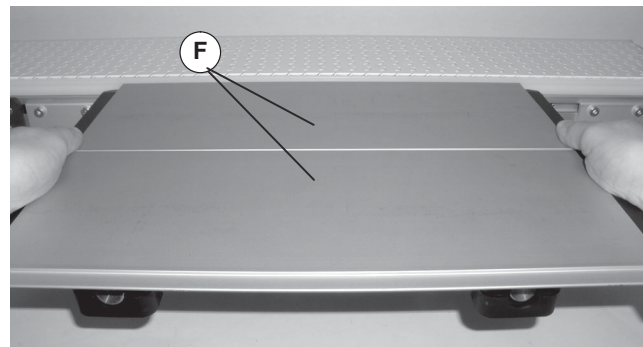
**Figure 19**

4. To raise table: Turn set screw (Figure 20, item P) clockwise at each support bar.  
To lower table: Turn set screw (P) counter clockwise at each support bar.



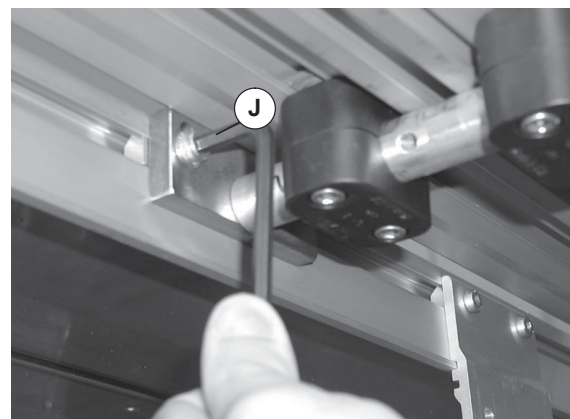
**Figure 20**

5. Push table (Figure 21, item F) into desired position, see Note on page 9 for examples.



**Figure 21**

6. Tighten support bar mounting screws (Figure 22, item J) to 128.5 in-lbs (14.5 N-m).



**Figure 22**

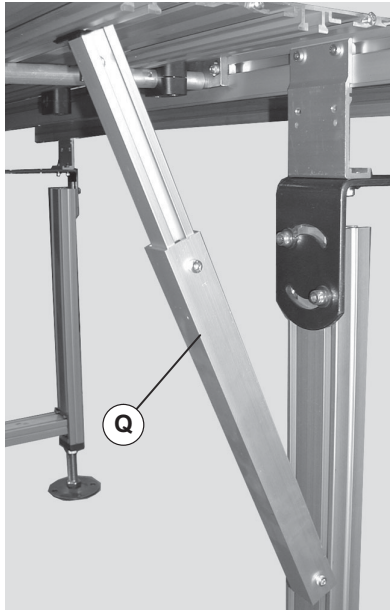
## NOTE

*Check for clearance between table and conveyor belt prior to conveyor start-up.*

7. Verify table position and tighten all clamps.

## Tie Bracket Supports

If additional support is necessary contact Dorner to order a tie bracket support kit (Figure 23, item Q).




**Figure 23**

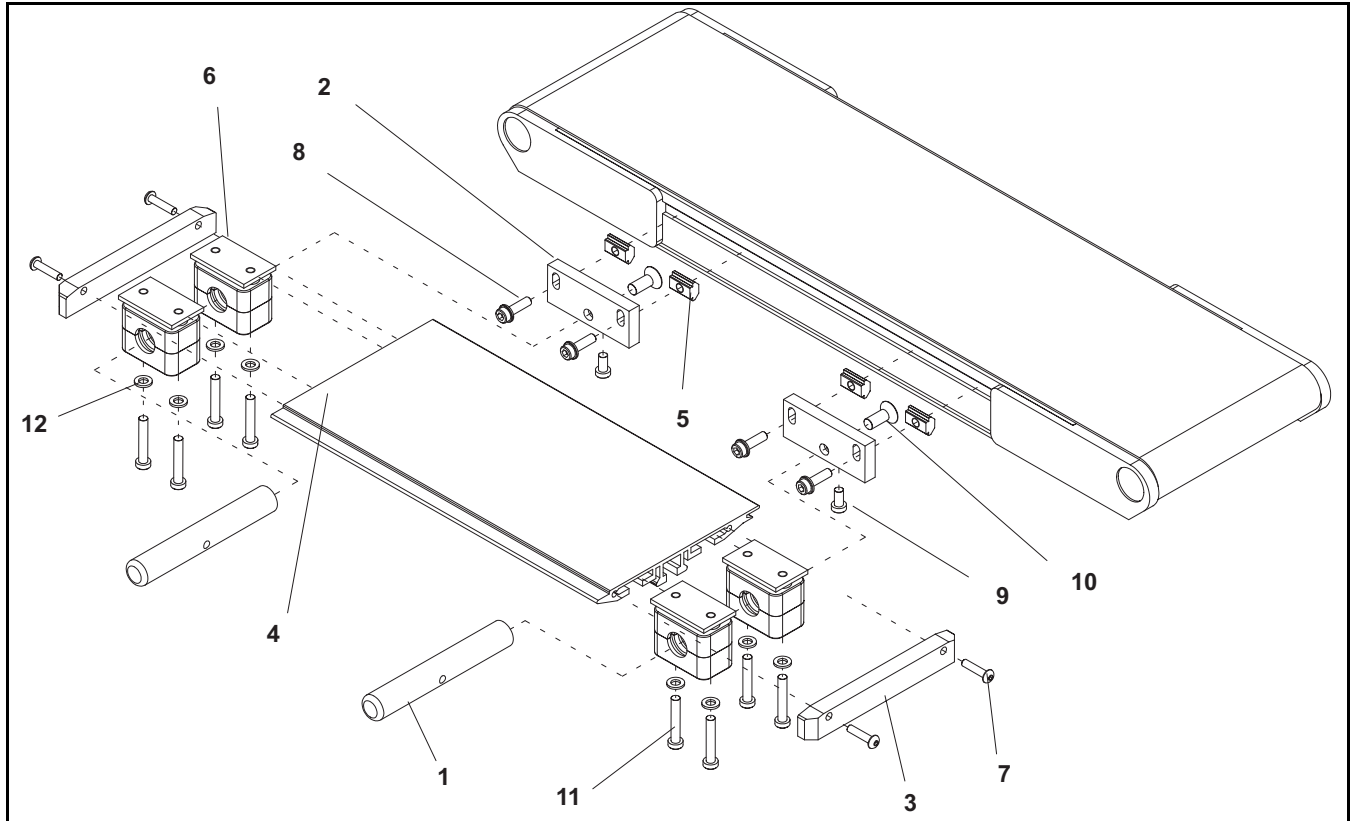
Refer to Dorner manual 851-337 “Adjustable Tie Brackets” for installation instructions.

# Service Parts

## 6" (152 mm) Wide Table

### NOTE

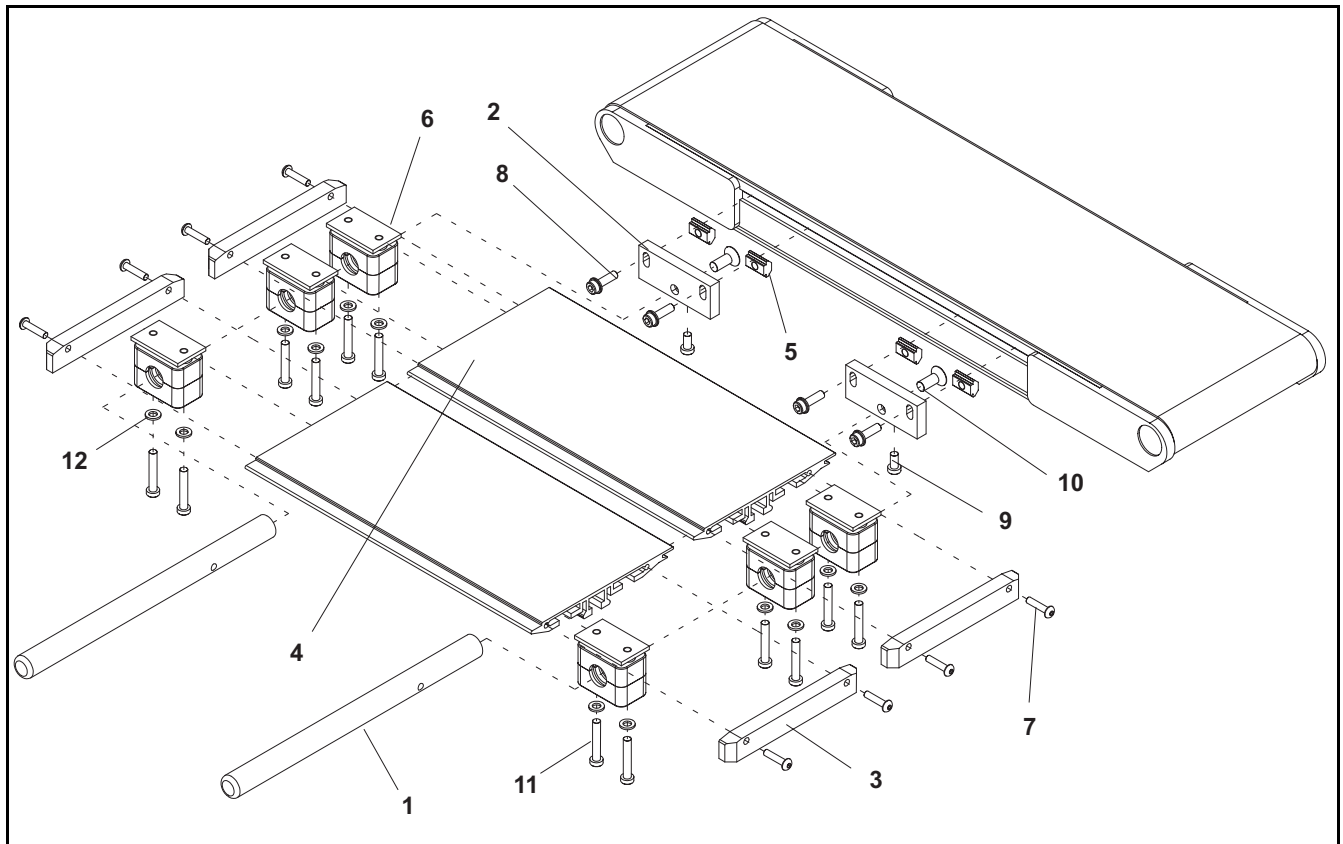
For replacement parts other than those shown in this section, contact an authorized Dorner Service Center or the factory. Key Service Parts and Kits are identified by the Performance Parts Kits logo . Dorner recommends keeping these parts on hand.



Item	Part Number	Description
1	300892	Support Bar 6"
2	300894	Adaptor Plate (2100, 2200, 3100, LPZ Series)
	301035	Adaptor Plate (MPB Series)
3	301047	End Plate
4	300895_LLLLL	Side Table Plate Where LLLL=Table Length (inches) Example 2ft (24in)=300895-02400
5	639971M	Tee Bar, Drop-In Metric
6	807-1111	Tube Clamp
7	910522M	Screw, Buttonhead M5-0.80x6mm

Item	Part Number	Description
8	969900M	Screw, Sockethead M6-1.00x14mm
9	920692M	Screw, Sockethead Low M6-1.00x12mm (2100, 2200, 3100, LPZ Series)
	920695M	Screw, Sockethead Low M6-1.00x25mm (MPB Series)
10	930820M	Screw, Flathead M8-1.25x20mm
11	920697M	Screw, Cap Hexhead M6-1.00x45mm
12	911-221	Washer, Flat, SAE, SS

## 12" (305 mm) Wide Table



Item	Part Number	Description
1	300893	Support Bar 12"
2	300894	Adaptor Plate (2100, 2200, 3100, LPZ Series)
	301035	Adaptor Plate (MPB Series)
3	301047	End Plate
4	300894_LLLLL	Side Table Plate Where LLLL=Table Length (inches) Example 2ft (24in)=300895-02400
5	639971M	Tee Bar, Drop-In Metric
6	807-1111	Tube Clamp
7	910522M	Screw, Buttonhead M5-0.80x6mm

Item	Part Number	Description
8	969900M	Screw, Sockethead M6-1.00x14mm
9	920692M	Screw, Sockethead Low M6-1.00x12mm (2100, 2200, 3100, LPZ Series)
	920695M	Screw, Sockethead Low M6-1.00x25mm (MPB Series)
10	930820M	Screw, Flathead M8-1.25x20mm
11	920697M	Screw, Cap Hexhead M6-1.00x45mm
12	911-221	Washer, Flat, SAE, SS

# Return Policy

Returns must have prior written factory authorization or they will not be accepted. Items that are returned to Dorner without authorization will not be credited nor returned to the original sender. When calling for authorization, please have the following information ready for the Dorner factory representative or your local distributor:

1. Name and address of customer.
2. Dorner part number(s) of item(s) being returned.
3. Reason for return.
4. Customer's original order number used when ordering the item(s).
5. Dorner or distributor invoice number.

A representative will discuss action to be taken on the returned items and provide a Returned Goods Authorization number for reference.

There will be a return charge on all new undamaged items returned for credit where Dorner was not at fault. Dorner is not responsible for return freight on such items.

Conveyors and conveyor accessories	
Standard catalog conveyors	30%
MPB Series, cleated and specialty belt conveyors	50%
7400 & 7600 Series conveyors	non-returnable items
Engineered special products	case by case
Drives and accessories	30%
Sanitary stand supports	non-returnable items

Parts	
Standard stock parts	30%
MPB, cleated and specialty belts	non-returnable items

Returns will not be accepted after 60 days from original invoice date.

The return charge covers inspection, cleaning, disassembly, disposal and reissuing of components to inventory.

If a replacement is needed prior to evaluation of returned item, a purchase order must be issued. Credit (if any) is issued only after return and evaluation is complete.

Dorner has representatives throughout the world. Contact Dorner for the name of your local representative. Our Technical Sales, Catalog Sales and Service Teams will gladly help with your questions on Dorner products.

For a copy of Dorner's Warranty, contact factory, distributor, service center or visit our website at [www.dorner.com](http://www.dorner.com).

For replacement parts, contact an authorized Dorner Service Center or the factory.



Dorner Mfg. Corp. reserves the right to change or discontinue products without notice. All products and services are covered in accordance with our standard warranty. All rights reserved. © Dorner Mfg. Corp. 2006

#### DORNER MFG. CORP.

975 Cottonwood Ave., PO Box 20  
Hartland, WI 53029-0020 USA  
USA  
TEL 1-800-397-8664 (USA)  
FAX 1-800-369-2440 (USA)  
Internet: [www.dorner.com](http://www.dorner.com)

Outside the USA:  
TEL 1-262-367-7600  
FAX 1-262-367-5827