



3200 Series Flat Belt LPZ Conveyors

Installation, Maintenance & Parts Manual



DORNER MFG. CORP.
P.O. Box 20 • 975 Cottonwood Ave.
Hartland, WI 53029-0020 USA

INSIDE THE USA
TEL: 1-800-397-8664
FAX: 1-800-369-2440

OUTSIDE THE USA
TEL: 262-367-7600
FAX: 262-367-5827

For other service manuals visit our website at:
www.dorner.com/service_manuals.asp

Table of Contents

Introduction	3	Service Parts	25
Warnings - General Safety	4	Drive End Tail Assembly	25
Product Description	5	Transfer Tail Assembly	26
Specifications	5	Idler End Assembly	27
Installation	7	Knuckle Assembly	28
Required Tools	7	Frame Assembly	29
Recommended Installation Sequence	7	Bed Plate and Frame Formulas	29
Conveyors Up to 13 ft (3962 mm)	7	Conveyor Configurations	31
Conveyors Longer Than 13 ft (3962 mm)	7	Guiding Options (TT)	31
Mounting Brackets	8	Section and Length Determination	31
Return Rollers	9	Walk Through Frame – Section L1	32
4–6” (51–152 mm) Wide Flat Belt Conveyors	9	Elevating Belt Travel	32
8–48” (203–1219 mm) Wide Flat Belt Conveyors	9	Declining Belt Travel	32
Preventive Maintenance and Adjustment	10	Walk Through Frame – Section L2	33
Required Tools	10	Elevating Belt Travel	33
Standard Tools	10	Declining Belt Travel	33
Checklist	10	Walk Through Frame – Section L3	34
Lubrication	10	Elevating Belt Travel	34
Maintaining Conveyor Belt	10	Declining Belt Travel	34
Troubleshooting	10	Nose Over Frame – Section L2	35
Cleaning	10	Elevating Belt Travel	35
Conveyor Belt Replacement	10	Declining Belt Travel	35
Conveyor Belt Replacement Sequence	10	Nose Over Frame – Section L3	36
Belt Removal for Conveyor Without Stands or		Elevating Belt Travel	36
Gearmotor Mounting Package	10	Declining Belt Travel	36
Belt Removal for Conveyor With Stands and		–13 Adjustable Guiding	37
Gearmotor Mounting Package	11	Flat Belt Mounting Brackets	38
Belt Installation for Conveyor without Stands or		Connecting Assembly without Stand Mount	38
Gearmotor Mounting Package	13	Flat Belt Connecting Assembly with Stand Mount	39
Belt Installation for Conveyor with Stands and		4” (102mm) to 6” (152mm) Flat Belt Return Roller	39
Gearmotor Mounting Package	13	8” (203mm) to 48” (1219mm) Flat Belt Return Roller	40
Conveyor Belt Tensioning	14	Conveyor Belt Part Number Configuration	40
Conveyor Belt Tracking	15	Flat Belt Part Number Configuration	40
V-Guided Belts	15	Notes	41
Non V-Guided Belts	15	Return Policy	42
Conveyor Angle Adjustment	16		
Pulley Removal	17		
A – Idler Pulley Removal	17		
B – Drive Pulley Removal	18		
C – Transfer Tail Pulley Removal	21		
D – Knuckle Idler Pulley Removal	22		
E – Knuckle Return Roller Removal	23		
Bearing Replacement	23		
A – Idler Bearing Replacement	23		
B – Drive Bearing Removal and Replacement	23		
Removal	23		
Replacement	24		
C – Transfer Tail Bearing Replacement	24		
D – Knuckle Idler Bearing Replacement	24		
E – Knuckle Return Roller Bearing Replacement	24		
Pulley Replacement	24		
Idler Pulley	24		
Drive Pulley	24		
Transfer Tail Pulley	24		
Knuckle Pulley	24		
Knuckle Return Roller	24		

IMPORTANT

<i>Some illustrations may show guards removed. DO NOT operate equipment without guards.</i>


Upon receipt of shipment:

- Compare shipment with packing slip. Contact factory regarding discrepancies.
- Inspect packages for shipping damage. Contact carrier regarding damage.
- Accessories may be shipped loose. See accessory instructions for installation.

Dorner's Limited Warranty applies.

Dorner 3200 series conveyors are covered by Patent Numbers 5,156,260, and corresponding patents and patent applications in other countries.

Dorner reserves the right to make changes at any time without notice or obligation.

Dorner has convenient, pre-configured kits of Key Service Parts for all conveyor products. These time saving kits are easy to order, designed for fast installation, and guarantee you will have what you need when you need it. Key Parts and Kits are marked in the Service Parts section of this manual with the Performance Parts Kits logo .

Warnings - General Safety

⚠ WARNING

The safety alert symbol, black triangle with white exclamation, is used to alert you to potential personal injury hazards.

⚠ DANGER



Climbing, sitting, walking or riding on conveyor will cause severe injury.
KEEP OFF CONVEYORS.

⚠ DANGER



DO NOT OPERATE CONVEYORS IN AN EXPLOSIVE ENVIRONMENT.

⚠ WARNING



LPZ Series Conveyors are not reversible. Reversing creates pinch points which can cause severe injury.
DO NOT REVERSE LPZ SERIES CONVEYORS.

⚠ WARNING



Gearmotors may be HOT.
DO NOT TOUCH Gearmotors.

⚠ WARNING



Exposed moving parts can cause severe injury.
LOCK OUT POWER before removing guards or performing maintenance.

⚠ WARNING



Dorner cannot control the physical installation and application of conveyors. Taking protective measures is the responsibility of the user.
When conveyors are used in conjunction with other equipment or as part of a multiple conveyor system, **CHECK FOR POTENTIAL PINCH POINTS** and other mechanical hazards before system start-up.

⚠ WARNING



Loosening stand height or angle adjustment screws may cause conveyor sections to drop down, causing severe injury.
SUPPORT CONVEYOR SECTIONS PRIOR TO LOOSENING STAND HEIGHT OR ANGLE ADJUSTMENT SCREWS.

Product Description

Refer to Figure 1 for typical conveyor components.

A	Conveyor
B	Gearmotor Mounting Package
C	Gearmotor
D	Guiding & Accessories
E	Mounting Brackets
F	Knuckle
G	Support Stand
H	Drive End
I	Idler/Tension End

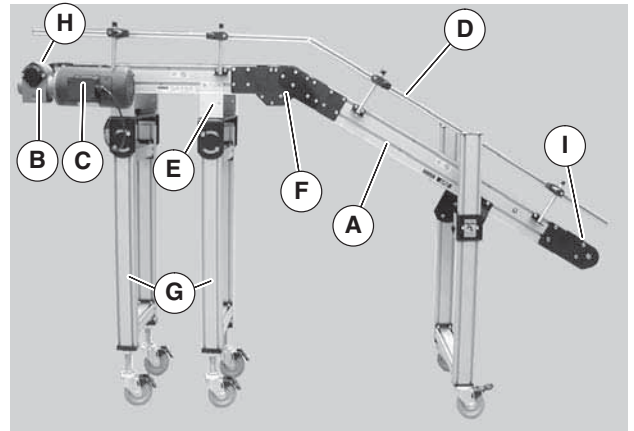
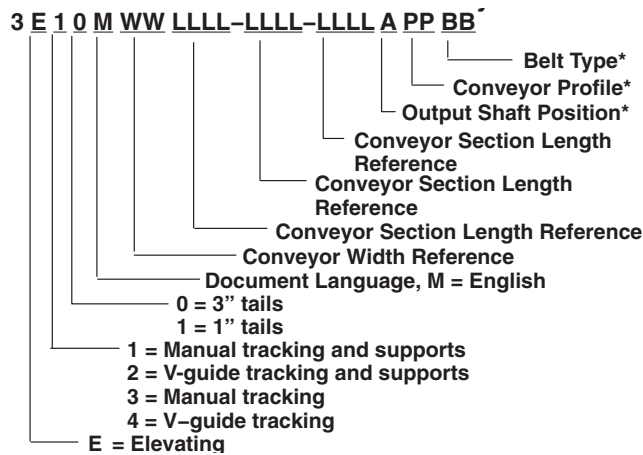


Figure 1

Specifications

Models:

Flat Belt LPZ Series End Drive Conveyor



* See "Ordering and Specifications" Catalog for details.

Conveyor Supports:

Maximum Distances:

J = 24" (610 mm) (Drive End)

K = 12 ft (3658 mm)

L = 36" (914 mm) (Idler End)

Maximum Angle:

M = 0 to 35 degrees

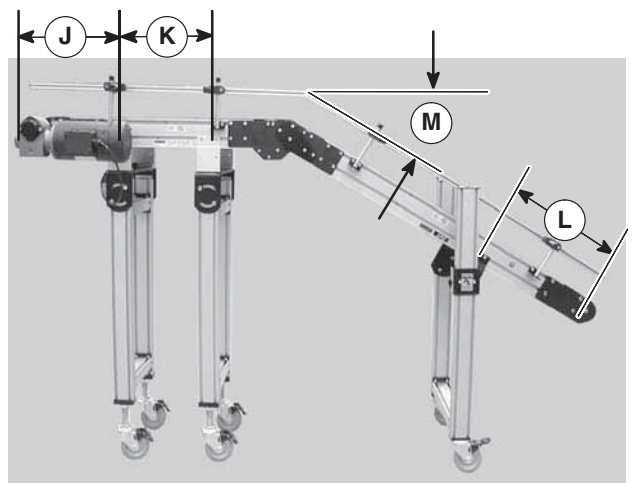


Figure 2

Specifications

Specifications:

Conveyor Width Reference (WW)	04	05	06	08	10	12	18	24	30	36	48
Conveyor Belt Width	3.75" (95mm)	5" (127mm)	6" (152mm)	8" (203mm)	10" (254mm)	12" (305mm)	18" (457mm)	24" (609mm)	30" (762mm)	36" (915mm)	48" (1220mm)
Maximum Conveyor Load* (See NOTE Below)	42 lb (19 kg)	50 lb (23 kg)	60 lb (27 kg)	70 lb (32 kg)	80 lb (36 kg)	80 lb (36 kg)	80 lb (36 kg)	400 lb (181kg)	400 lb (181kg)	400 lb (181kg)	400 lb (181kg)
Conveyor Start-up Torque*	6 in-lb (0.7Nm)	7 in-lb (0.8 Nm)	8 in-lb (0.9Nm)	10 in-lb (1.1 Nm)	12 in-lb (1.4Nm)	14 in-lb (1.5Nm)	15 in-lb (1.7Nm)	30 in-lb (3.9Nm)	35 in-lb (3.9Nm)	38 in-lb (4.2Nm)	40 in-lb (4.4Nm)
Conveyor Section Length Reference (LLLL)	0200 to 3800 in 0001 increments (2 ft to 38 ft in 0.12" increments)										
Total Conveyor Length	4 ft (1219mm) to 40 ft (12192mm) in 0.12" (0.31mm) increments										
Belt Travel	9.7" (246 mm) per revolution of pulley										
Maximum Belt Speed*	421 ft/minute (128 m/minute)										
Belt Takeup	1.62" (41 mm) of Belt Takeup on Conveyors Under 20' Length 3.24" (82 mm) of Belt Takeup on Conveyors Over 20' Length										

NOTE

Maximum conveyor loads based on:

- *Non-accumulating product*
- *Product moving towards gearmotor*
- *Conveyor being mounted horizontal*

⚠ WARNING



LPZ Series Conveyors are not reversible. Reversing creates pinch points which can cause severe injury.

DO NOT REVERSE LPZ SERIES CONVEYORS.

NOTE

Conveyor MUST be mounted straight, flat and level within confines of conveyor. Use a level (Figure 3, item N) for setup.

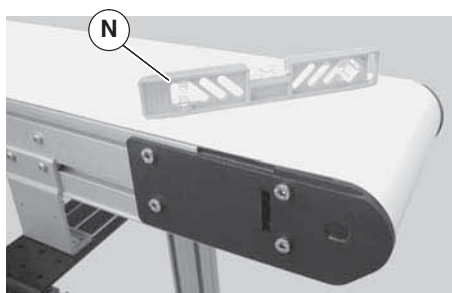


Figure 3

Required Tools

- Hex-key wrenches: 4 mm, 5 mm
- Level
- Torque wrench
- 8mm hex, open end wrench

Recommended Installation Sequence

- Install support stands (see accessory instructions)
- Assemble conveyor (if required)
- Attach mounting brackets to conveyor (see page 8 for instructions)
- Adjust angle (see page 16 for instructions)
- Attach conveyor to stands
- Install return rollers on conveyor (see page 9 for instructions)
- Mount gearmotor mounting package (see accessory instructions)
- Attach guides/accessories (see page 31 through page 40 of “Service Parts” section for details)

Conveyors Up to 13 ft (3962 mm)

No assembly is required. Install mounting brackets and return rollers. Refer to “Mounting Brackets” on page 8 and “Return Rollers” on page 9.

Conveyors Longer Than 13 ft (3962 mm)

Installation Component List:

O	Conveyor frame with knuckle
P	Conveyor frame with idler end
Q	Belt
R	Knuckle
S	Intermediate Conveyor Frame (required for conveyor sections over 13' (3962 mm) long)

1. Locate components (see Figure 4).

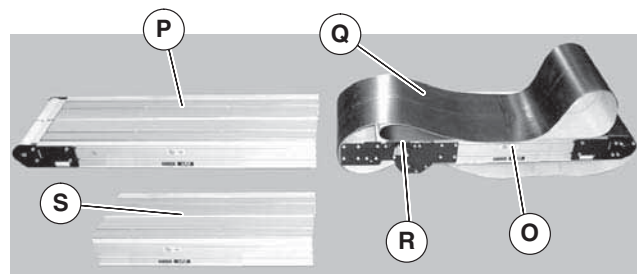


Figure 4

2. On tension end of the conveyor, identified by the pinion locking screw (Figure 5, item T), push in head plate assembly (V): Loosen the pinion locking screw (T), adjust the pinion torque screw (Figure 6, item W). On both sides of conveyor, loosen the two tail clamp bolts (Figure 5, item U), and push head plate assembly (V) inward.

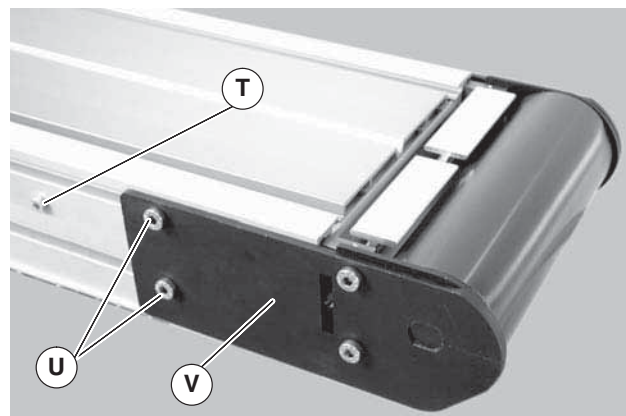


Figure 5

Installation

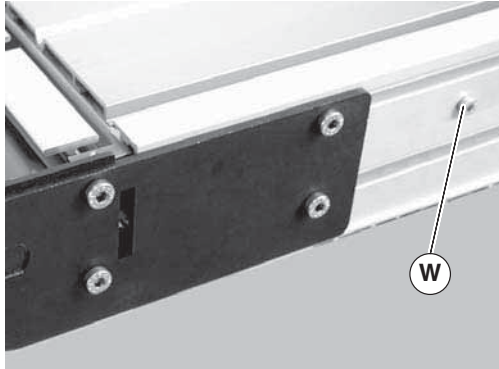


Figure 6

- Roll out conveyor belt (Figure 7, item Q). Loosen (4) screws (X) on both sides of knuckle (R). Slide frame (P) into knuckle (R). Tighten screws (X) to 60 in-lb (7 N-m) on both sides of conveyor.

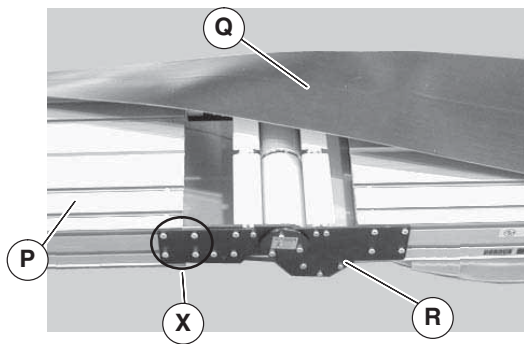


Figure 7

- Join additional conveyor sections if necessary and install connector brackets (Figure 8, item Y) or connector/mount brackets (YA) and screws (Z) on both sides as indicated. Tighten screws to 60 in-lb (7 Nm).

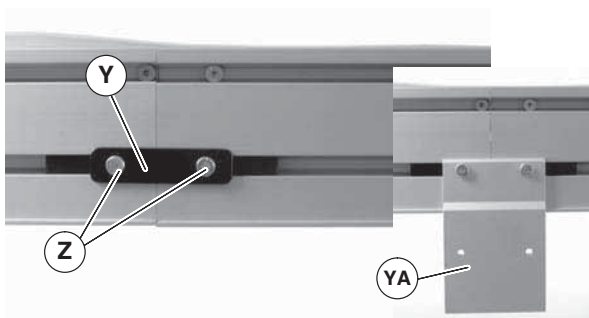


Figure 8

- Slide belt (Figure 9, item Q) over assembled conveyor sections (AA).

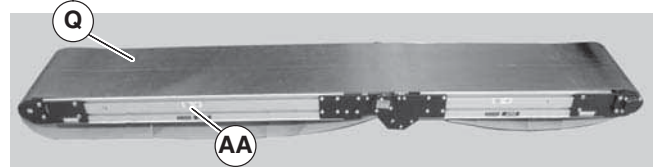
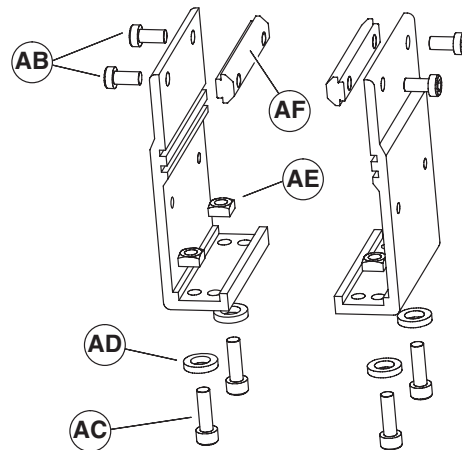


Figure 9

- Tension conveyor belt, refer to Conveyor Belt Tensioning on page 14.
- Install mounting brackets and return rollers. Refer to page 8
- Adjust conveyor angle. See “Conveyor Angle Adjustment” on page 16.

Mounting Brackets

- Locate brackets. Exploded views shown in Figure 10.



Mounting Brackets for Flat Belt Conveyor

Figure 10

- Remove screws (Figure 10, item AB & AC), washers (AD), nuts (AE) and T-bars (AF) from brackets.
- Insert T-bars (Figure 10, item AF) into conveyor side slots (Figure 11, item AF). Fasten brackets (Figure 11, item AG) to conveyor with mounting screws (AB).

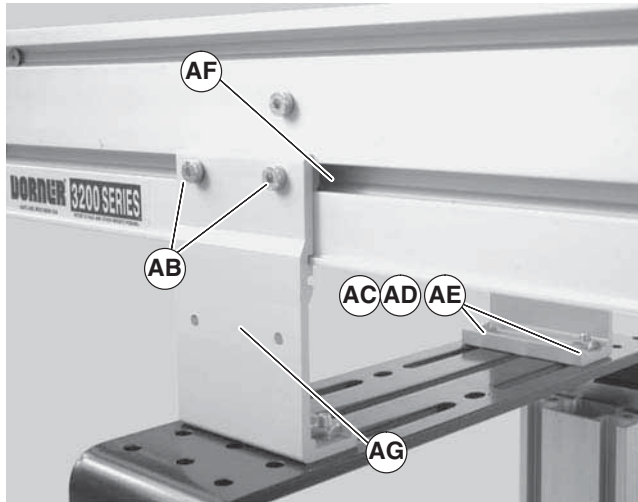


Figure 11

4. Fasten brackets to support stand with mounting screws (Figure 11, item AC), washers (AD) and nuts (AE).
5. Tighten screws (Figure 11, item AB & AC) to 60 in-lb (7 Nm).

Return Rollers

4–6” (51–152 mm) Wide Flat Belt Conveyors

1. Locate return rollers. Exploded view shown in Figure 12.

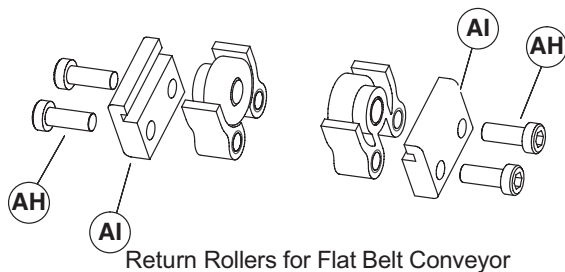


Figure 12

2. Remove screws (Figure 12, item AH) and clips (AI) from roller assembly.
3. Install roller assemblies (Figure 13, item AJ) as shown. Tighten screws (AH) to 60 in-lb (7 Nm).

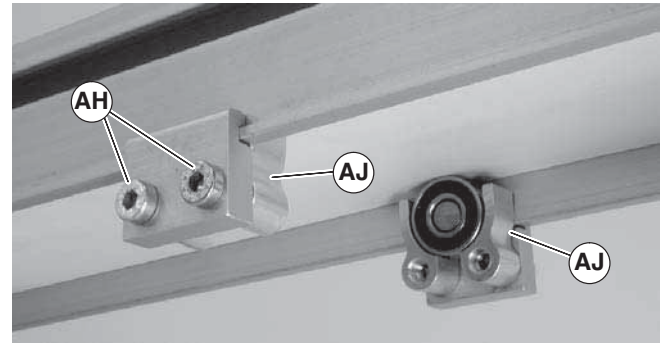


Figure 13

8–48” (203–1219 mm) Wide Flat Belt Conveyors

1. Locate return rollers. Exploded view shown in Figure 14.

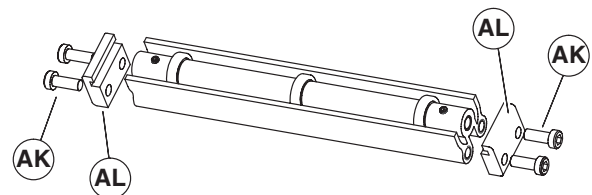


Figure 14

2. Remove screws (Figure 14, item AK) and clips (AL) from roller assembly.
3. Install roller assembly as shown (Figure 15, item AM). Tighten screws (AK) to 60 in-lb (7 Nm).

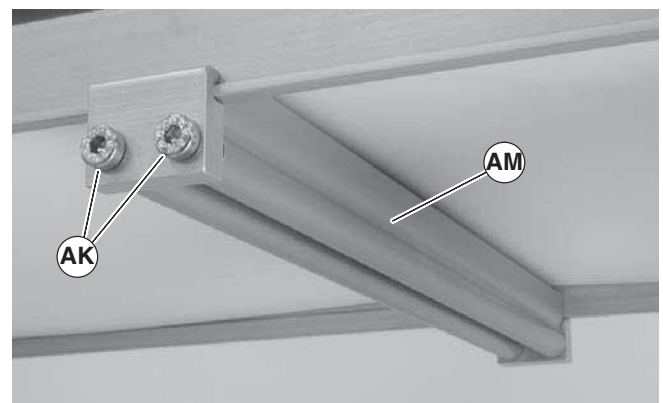


Figure 15

Preventive Maintenance and Adjustment

Required Tools

Standard Tools

- Hex-key wrenches:
2.5 mm, 4 mm, 5 mm
- 8mm hex, open end wrench

Checklist

- Keep service parts on hand (see “Service Parts” section for recommendations)
- Keep supply of belt cleaner (part # 625619)
- Clean entire conveyor and knurled pulley while disassembled
- Replace worn or damaged parts

Lubrication

No lubrication is required. Replace bearings if worn.

Maintaining Conveyor Belt

Troubleshooting

Inspect conveyor belt for:

- Surface cuts or wear
- Stalling or slipping
- Damage to V-guide

Surface cuts and wear indicate:

- Sharp or heavy parts impacting belt
- Jammed parts
- Improperly installed bottom wipers (if installed)
- Accumulated dirt in wipers (if installed)
- Foreign material inside the conveyor
- Improperly positioned accessories
- Bolt-on guiding is pinching belt

Stalling or slipping indicates:

- Excessive load on belt
- Conveyor belt or drive timing belt are not properly tensioned
- Worn knurl or impacted dirt on drive pulley
- Intermittent jamming or drive train problems

Damage to V-guide indicates:

- Twisted or damaged conveyor frame
- Dirt impacted on pulleys
- Excessive or improper side loading

NOTE

Visit www.dorner.com for complete list of troubleshooting solutions.

Cleaning

IMPORTANT

Do not use belt cleaners that contain alcohol, acetone, Methyl Ethyl Ketone (MEK) or other harsh chemicals.

Use Dorner Belt Cleaner (part # 625619). Mild soap and water may also be used. Do not soak the belt.

For /05 woven polyester and /06 black anti-static belts, use a bristled brush to improve cleaning.

Conveyor Belt Replacement

⚠ WARNING



Exposed moving parts can cause severe injury.
LOCK OUT POWER before removing guards or performing maintenance.

Conveyor Belt Replacement Sequence

- Release Tension

Remove old conveyor belt:

- Conveyor without Stands or Gearmotor Mounting Package
- Conveyor with Stands and Gearmotor Mounting Package

- Install new conveyor belt
- Tension conveyor belt

Belt Removal for Conveyor Without Stands or Gearmotor Mounting Package

1. If equipped, remove return rollers and guiding and accessories from one side of conveyor.
2. On tension end of the conveyor, identified by the pinion locking screw (Figure 16, item T), push in head plate assembly (V): Loosen the pinion locking screw (T), adjust the pinion torque screw (Figure 17, item W). On both sides of conveyor, loosen the two tail clamp bolts (Figure 16, item U), and push head plate assembly (V) inward.

Preventive Maintenance and Adjustment

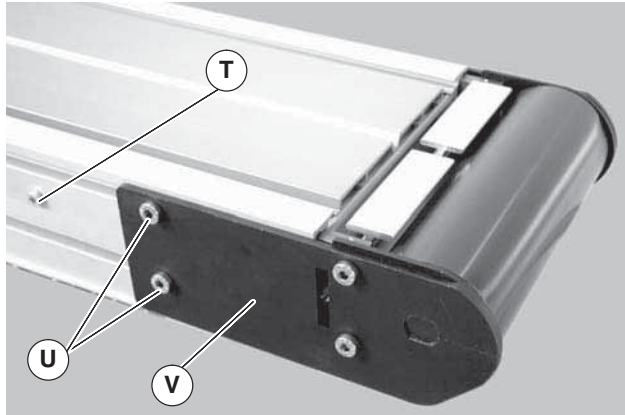


Figure 16

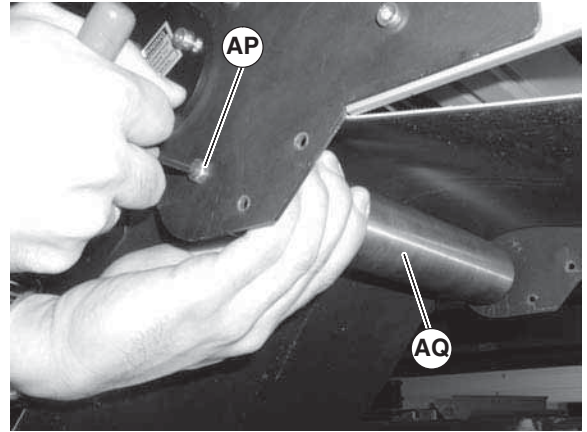


Figure 19

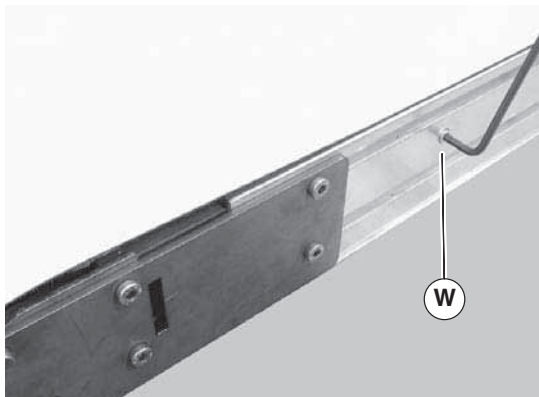


Figure 17

3. Remove screws (Figure 18, item AN) on both sides of knuckle and remove guard (AO).

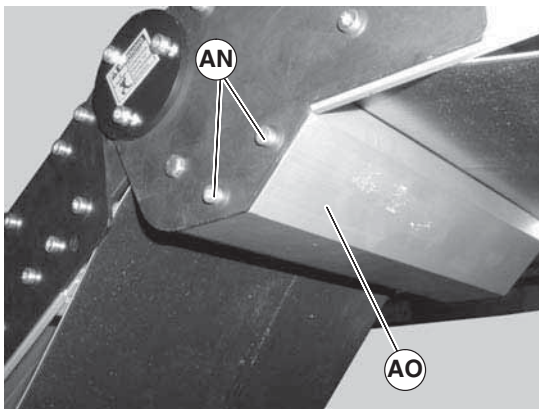


Figure 18


4. Push in hex posts (Figure 19, item AP) and remove roller (AQ).

5. Remove belt (Figure 20, item AR) from conveyor.



Figure 20

Belt Removal for Conveyor With Stands and Gearmotor Mounting Package

⚠ WARNING

Removing mounting brackets without support under gearmotor will cause conveyor to tip, causing severe injury. PROVIDE SUPPORT UNDERNEATH THE GEARMOTOR WHEN CHANGING THE BELT

1. Place temporary support stands (Figure 21, item AS) at both ends of the conveyor. Place an additional support stand under the drive motor (AT), if equipped. See WARNING.

Preventive Maintenance and Adjustment

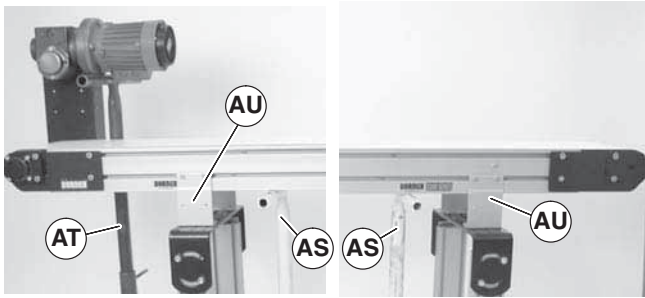


Figure 21

2. Remove mounting brackets (Figure 21, item AU) from one side of conveyor. (Reverse steps 3 & 4 of “Mounting Brackets” section on page 8).
3. If equipped, remove return rollers, guiding and accessories from side opposite drive cover.
4. On tension end of the conveyor, identified by the pinion locking screw (Figure 22, item T), push in head plate assembly (V): Loosen the pinion locking screw (T), adjust the pinion torque screw (Figure 23, item W). On both sides of conveyor, loosen the two tail clamp bolts (Figure 22, item U), and push head plate assembly (V) inward.

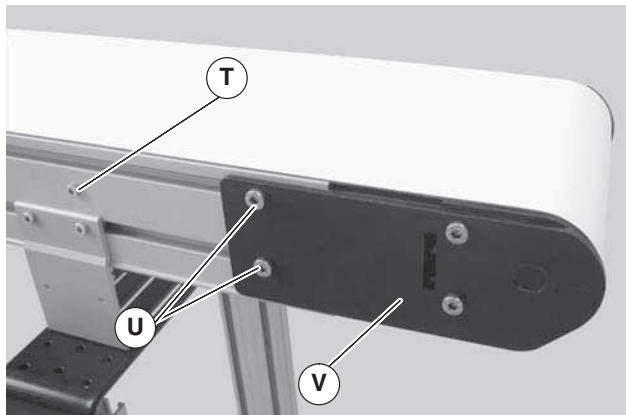


Figure 22

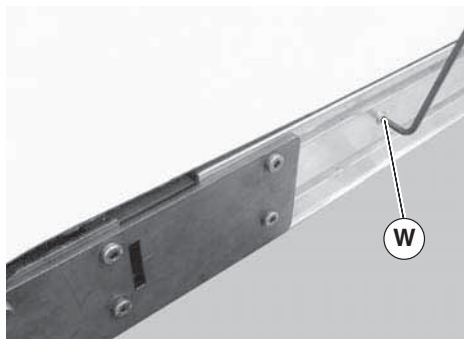


Figure 23

5. Remove screws (Figure 24, item AN) on both sides of knuckle and remove guard (AO).

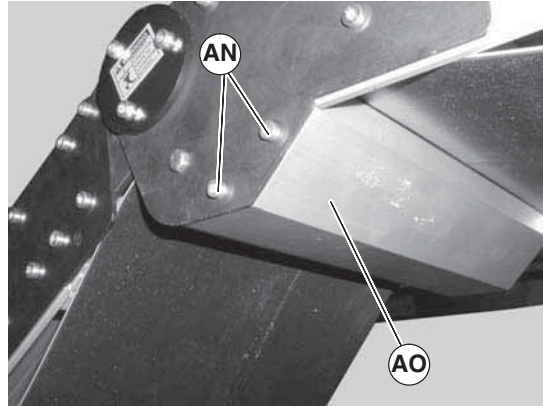


Figure 24

6. Push in hex posts (Figure 25, item AP) and remove pulley (AQ).

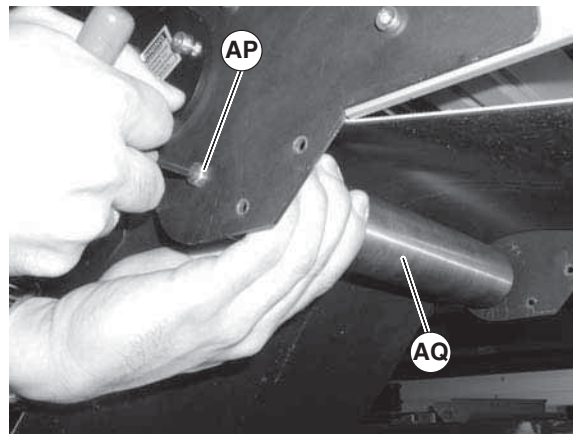


Figure 25

7. Remove belt (Figure 26, item AR) from conveyor.



Figure 26

Preventive Maintenance and Adjustment

Belt Installation for Conveyor without Stands or Gearmotor Mounting Package

1. Orient belt so splice leading fingers (Figure 27, item AV) point in the direction of belt travel as identified by the conveyor directional label (AW).

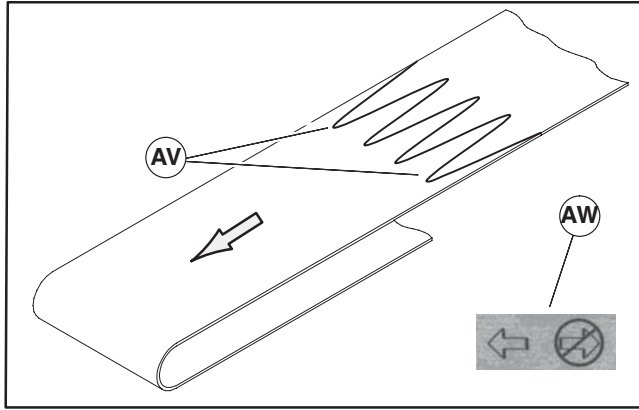


Figure 27

2. Slide belt onto the conveyor frame assembly.
3. Install spring loaded return pulley (Figure 28, item AQ) into knuckle plate (AX).

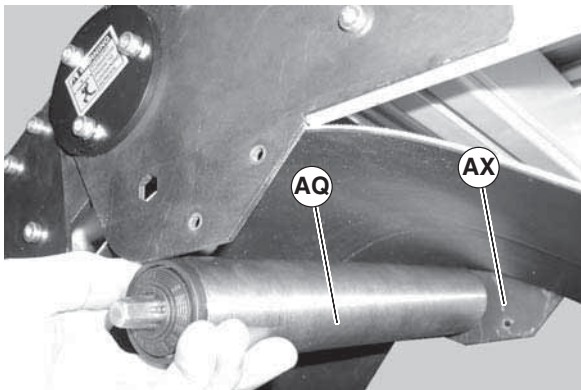


Figure 28

4. Install knuckle guard (Figure 29, item AO) with screws (AN) on both sides of knuckle. Tighten screws to 25 in-lbs (3 N-m).

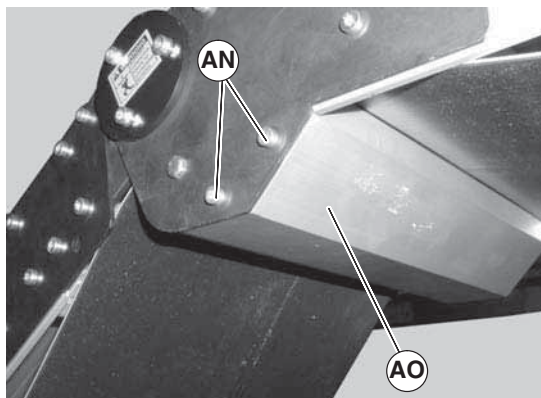


Figure 29

5. Tension belt. Refer to “Conveyor Belt Tensioning” on page 14.
6. If equipped, install wipers, return rollers and guiding.

Belt Installation for Conveyor with Stands and Gearmotor Mounting Package

⚠ WARNING

Removing mounting brackets without support under gearmotor will cause conveyor to tip, causing severe injury. PROVIDE SUPPORT UNDERNEATH THE GEARMOTOR WHEN CHANGING THE BELT

1. Ensure temporary support stands (Figure 21, item AS) are placed at both ends of the conveyor. Place an additional support stand under the drive motor (AT), if equipped. See WARNING.
2. Orient belt so splice leading fingers (Figure 27, item AV) point in the direction of belt travel as identified by the conveyor directional label (AW).
3. Install belt (Figure 30, item AR) on conveyor. Lift conveyor slightly to avoid pinching belt on temporary support stands.

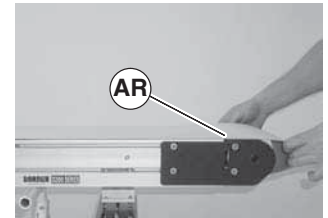
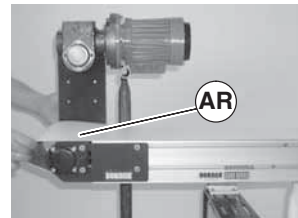


Figure 30

4. Re-install conveyor mounting brackets. Refer “Mounting Brackets” on page 8, steps 3 through 5.
5. Install spring loaded return pulley (Figure 31, item AQ) into knuckle plate (AX).

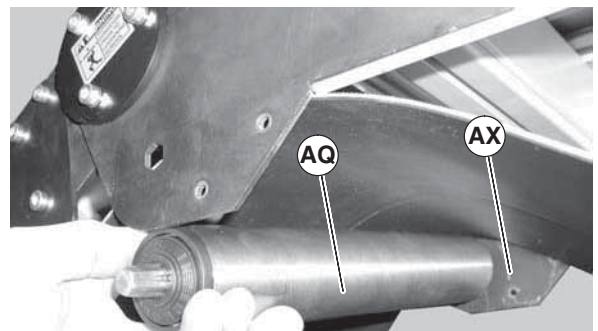


Figure 31

Preventive Maintenance and Adjustment

6. Install knuckle guard (Figure 32, item AO) with screws (AN) on both sides of knuckle. Tighten screws to 25 in-lbs (3 N-m).

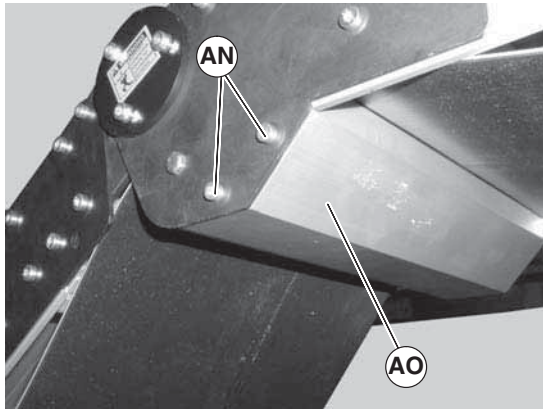


Figure 32

7. Tension belt. Refer to “Conveyor Belt Tensioning” on page 14.
8. If equipped, re-install return rollers and guiding.

Conveyor Belt Tensioning

⚠ WARNING
<p>Exposed moving parts can cause severe injury. LOCK OUT POWER before removing guards or performing maintenance.</p>

1. On tension end of the conveyor, identified by the pinion locking screw (Figure 33, item T), loosen the two tail clamp bolts (U), on both sides of conveyor.

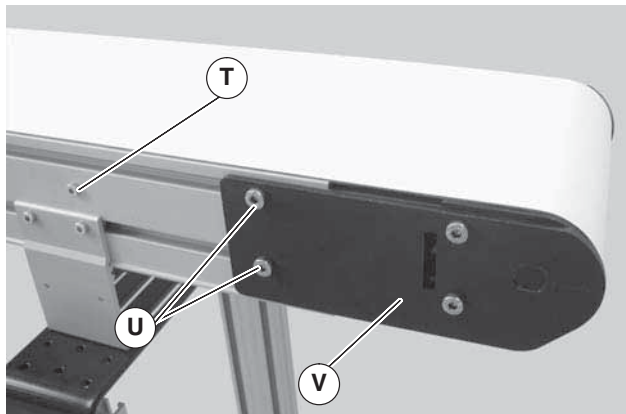


Figure 33

2. With 5mm hex wrench, hold pinion torque screw (Figure 34, item W). Loosen the pinion locking screw (Figure 33, item T) and turn the pinion torque screw (W) to extend head plate assembly.

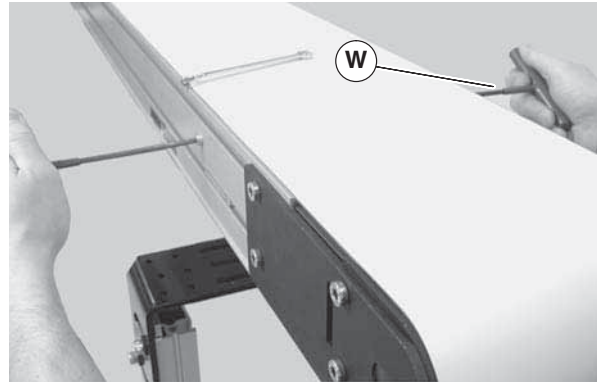


Figure 34

NOTE

On pinion gear, do not exceed a torque of 100 in-lb (11.3 N-m). Over tensioning the conveyor belt could cause excessive pulley bearing load and early failure.

3. Extend head plate assembly until proper tension in the belt is achieved. If proper tensioning can not be obtained before the belt life indicator is all black (Figure 35, item BA) the belt must be replaced.

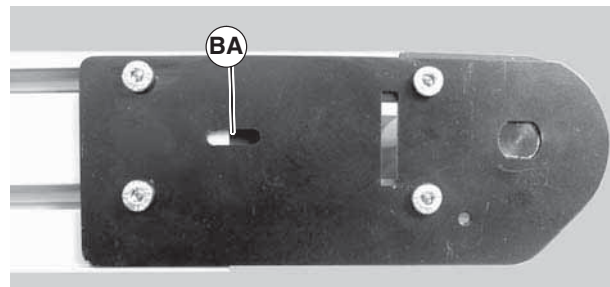


Figure 35

4. After adjusting proper tensioning, tighten the pinion locking screw (Figure 33, item T) to 69 in-lbs (7.8 N-m), and tighten tail clamp bolts (Figure 33, item U) on both sides of conveyor to 146 in-lb (16.5 N-m).
5. If belt tracking is necessary, refer to “Conveyor Belt Tensioning” on page 14.

Preventive Maintenance and Adjustment

Conveyor Belt Tracking

V-Guided Belts

V-guided belts do not require tracking adjustment.

Non V-Guided Belts

Non V-guided belt conveyors are equipped with belt tracking assemblies.

When adjusting belt tracking, always adjust the discharge end of the conveyor first. To adjust belt tracking:

1. Ensure tensioning racks are extended and touching the idler pulley headplates: loosen the pinion locking screw (Figure 33, item T) and rotate the pinion torque screw (Figure 34, item W) clockwise until contact with the head plate is made, then tighten the pinion locking screw (T) to 69 in-lbs (7.8 N-m)
2. On the side of conveyor to be adjusted, loosen two (2) tail clamp screws (Figure 36, item U).

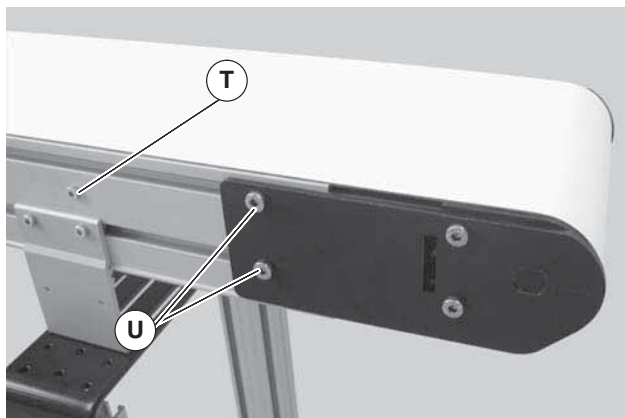


Figure 36

3. With the conveyor running, use wrench (Figure 37, item BB) to rotate the tracking screw (Figure 38, item BC) in small increments until the belt tracks in the center of the conveyor.

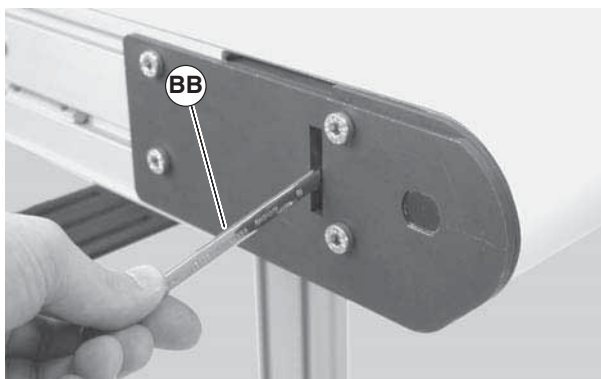


Figure 37

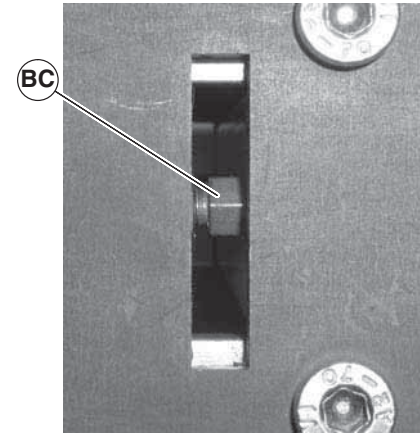


Figure 38

4. Re-tighten the head plate fastening screws (U) with a 5 mm hex-key wrench to 100 in-lb (12 Nm).

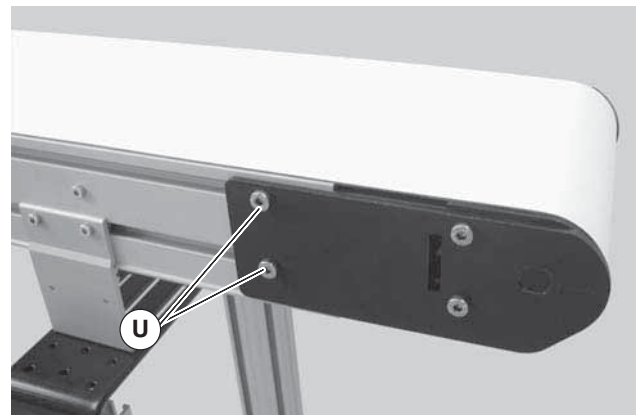


Figure 39

Preventive Maintenance and Adjustment

Conveyor Angle Adjustment

⚠ WARNING



Removing mounting brackets or adjustment screws without support under gearmotor and conveyor will cause conveyor to tip or drop, causing severe injury.

PROVIDE SUPPORT UNDERNEATH THE GEARMOTOR WHEN ADJUSTING THE CONVEYOR ANGLE

⚠ WARNING



Exposed moving parts can cause severe injury.

LOCK OUT POWER before removing guards or performing maintenance.

1. Place temporary support (Figure 40, item BD) under conveyor sections.

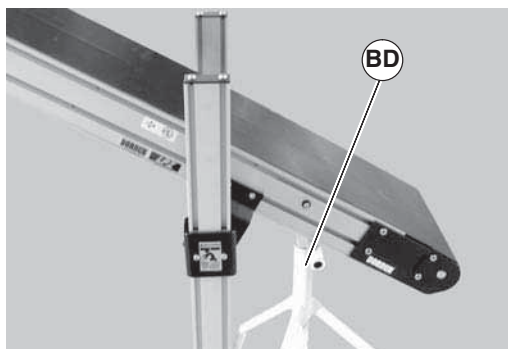


Figure 40

2. Loosen screws (Figure 41, item BE) on both sides of knuckle.

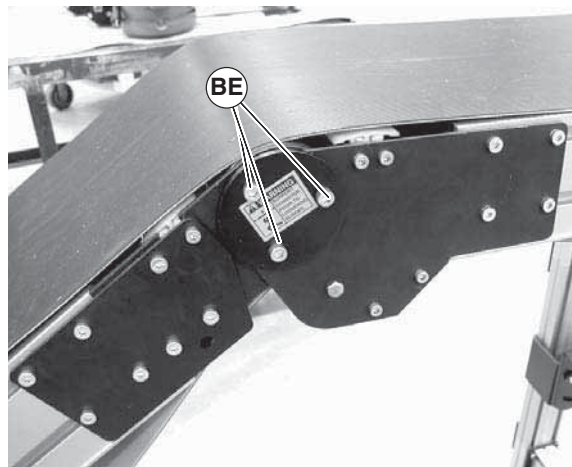


Figure 41

3. Move conveyor to desired angle as indicated by angle label (Figure 42, item BF).

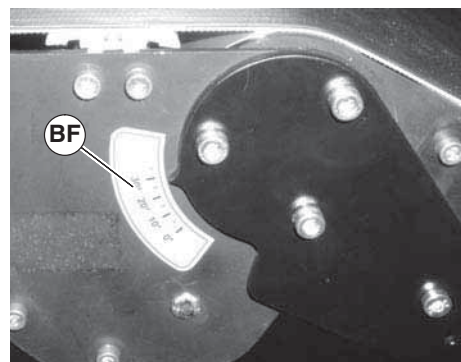



Figure 42

4. Tighten screws (Figure 41, item BE) on both sides of knuckle to 100 in-lbs (12 N-m).

Preventive Maintenance and Adjustment

Pulley Removal

⚠ WARNING

Exposed moving parts can cause severe injury. LOCK OUT POWER before removing guards or performing maintenance.

Remove conveyor belt to access pulley(s). See “Conveyor Belt Replacement” on page 10. Remove the desired pulley following the corresponding instructions below:

- **A** – Idler Pulley Removal
- **B** – Drive Pulley Removal
- **C** – Transfer Tail Pulley Removal
- **D** – Knuckle Idler Pulley Removal
- **E** – Knuckle Return Roller Removal

A – Idler Pulley Removal

1. Temporarily support the idler pulley.



Figure 43

2. On one side of conveyor, loosen the two (2) back fastening screws (Figure 44, item U) and remove two (2) front fastening screws (BG).

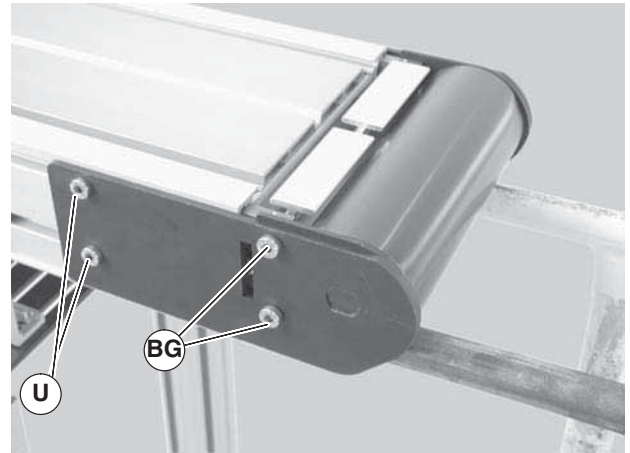


Figure 44

3. Pull back the outer headplate (Figure 45, item V) and remove the inner spacer (BH).

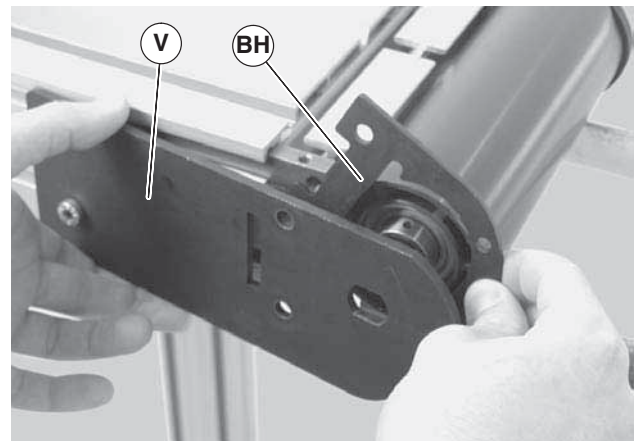


Figure 45

4. Slide the idler pulley assembly (Figure 46, item BI) out of the headplate on the opposite side.

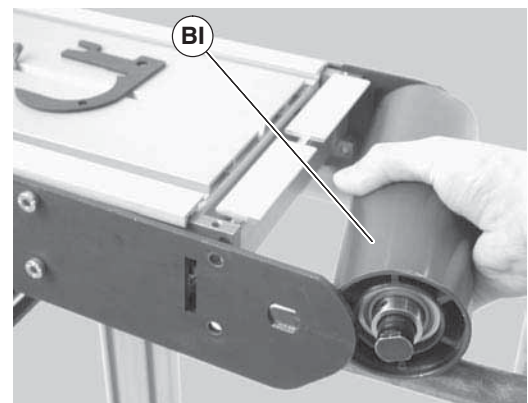


Figure 46

Preventive Maintenance and Adjustment

5. Remove the pulley shaft assembly: remove the clip ring (Figure 47, item BJ) and washer (BK) from one side of the pulley assembly.

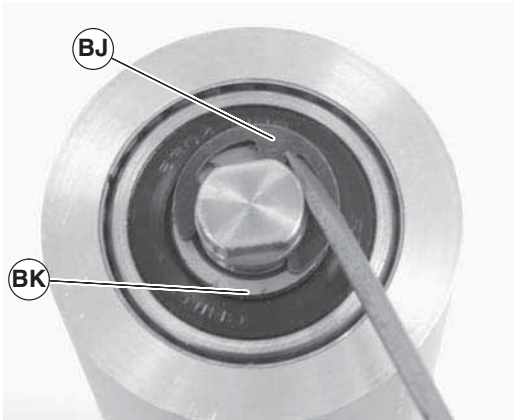


Figure 47

6. Slide the shaft assembly (Figure 48, item BL) out of the pulley (BI).

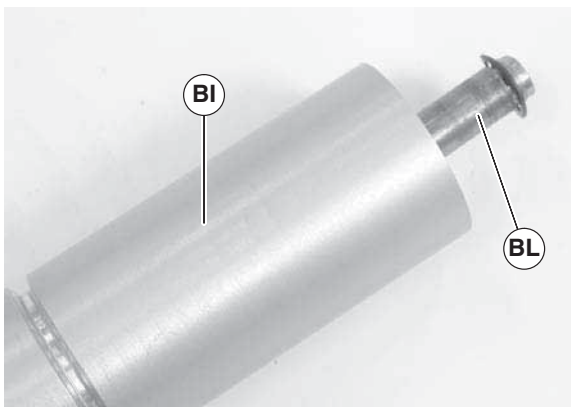


Figure 48

B – Drive Pulley Removal

⚠ WARNING
<p>Drive shaft keyway may be sharp. HANDLE WITH CARE.</p>

1. Remove the gearmotor mounting package:
 - Top and Bottom Mount Drives
 - Side Mount Drives

Top and Bottom Mount Drives

- a. Use a temporary support (Figure 49, item BM) to support Gearmotor.

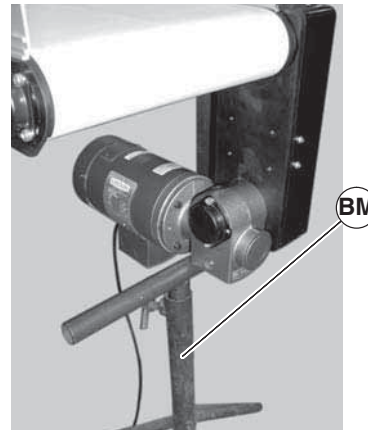


Figure 49

- b. Remove four (4) screws (Figure 50, item BN) and remove cover (BO).

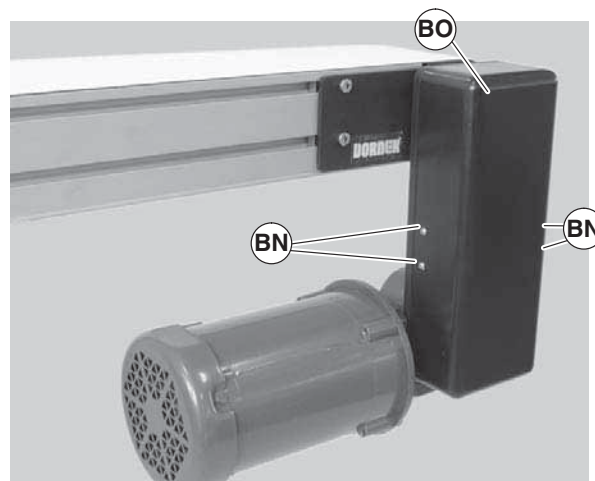


Figure 50

- c. Loosen tensioner (Figure 51, item BP).

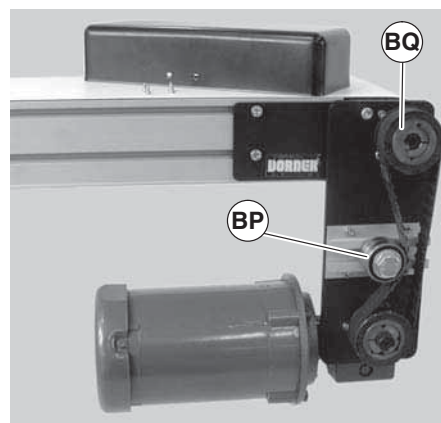


Figure 51

Preventive Maintenance and Adjustment

- d. Remove taper-lock screws (Figure 52, item BR) on the driven pulley (Figure 51, item BQ). Insert one (1) of taper lock screws (Figure 52, item BR) in remaining hole (BS). Tighten screw (BR) until pulley is loose. Remove pulley, taper hub assembly and timing belt.

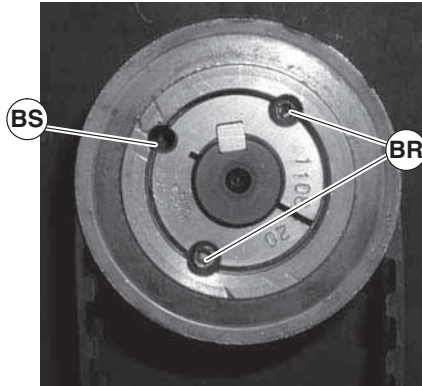


Figure 52

- e. Remove four (4) M5 mounting screws (Figure 53, item BT) and two (2) M8 mounting screws (BU).

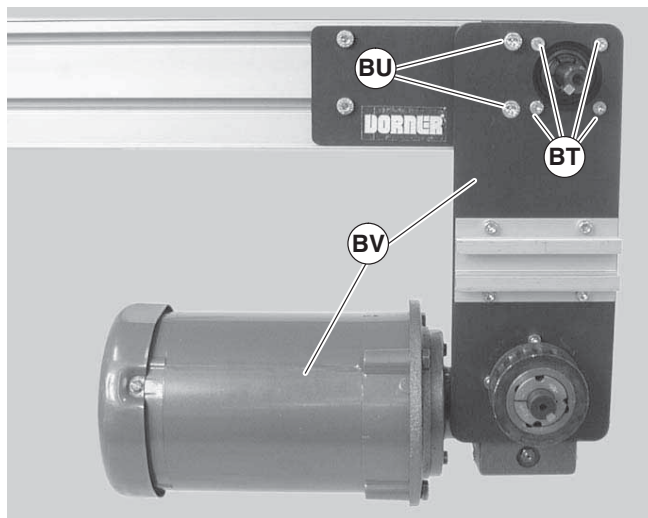


Figure 53

- f. Remove gearmotor and mounting plate assembly (Figure 53, item BV).

Side Mount Drives

- a. Temporarily support Gearmotor
b. Loosen the four (4) lock screw (Figure 54, item BW).

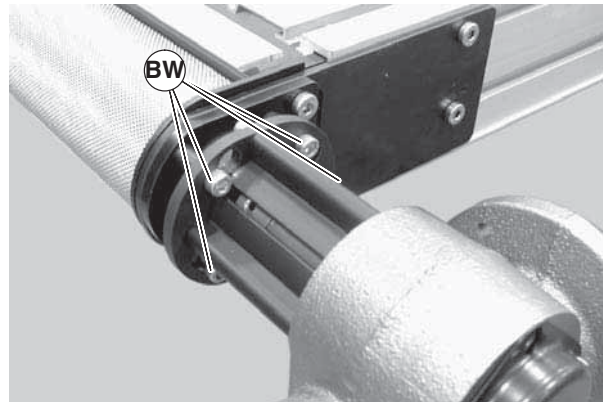


Figure 54

- c. Rotate and remove the gear motor and guard assembly (Figure 55, item BX).

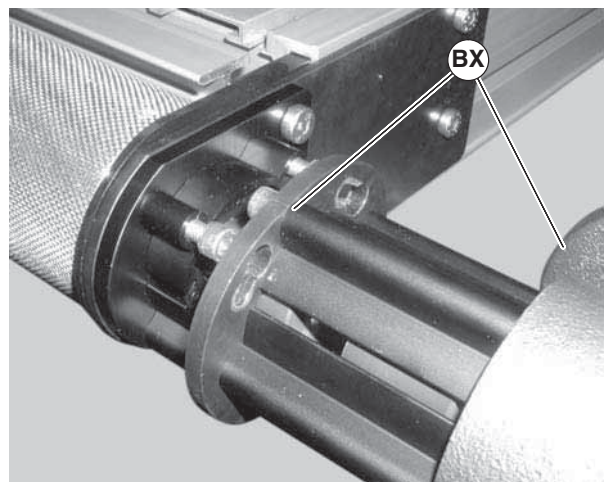


Figure 55

- d. Remove the four (4) lock screws (Figure 56, item BW) and the short side drive guard (BY).

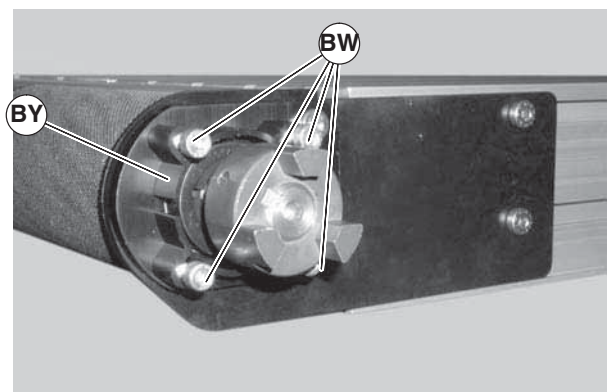


Figure 56

2. Temporarily support the drive pulley.

Preventive Maintenance and Adjustment

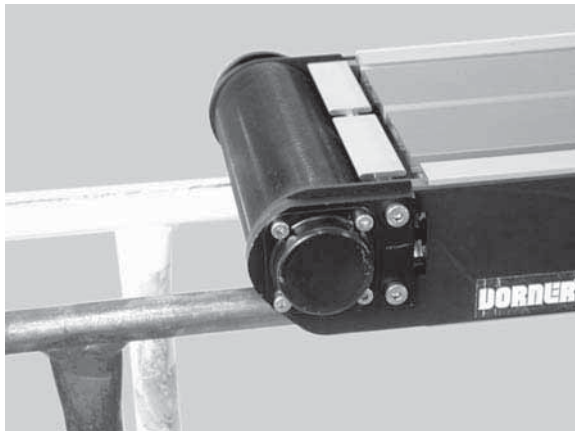


Figure 57

3. Remove four shaft cover screws (Figure 58, item BZ). Remove the shaft cover (CA).

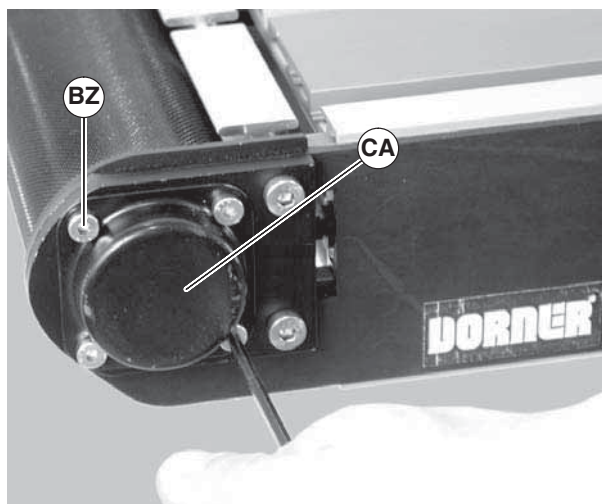


Figure 58

4. Loosen the bearing collar set screw (Figure 59, item CB) and remove bearing collar (CC). Repeat on drive shaft side of pulley (Figure 60, item CB & CC).

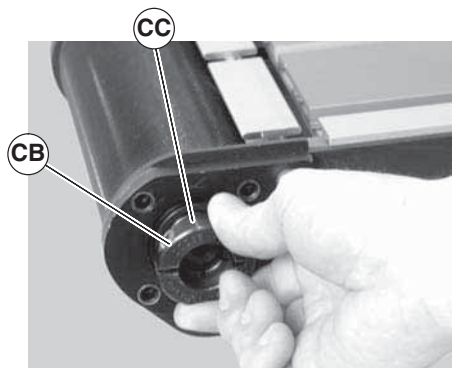


Figure 59

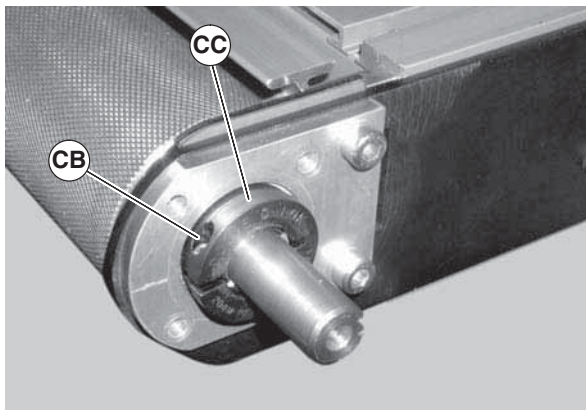


Figure 60

5. On the drive headplate, remove two (2) screws (Figure 61, item U).

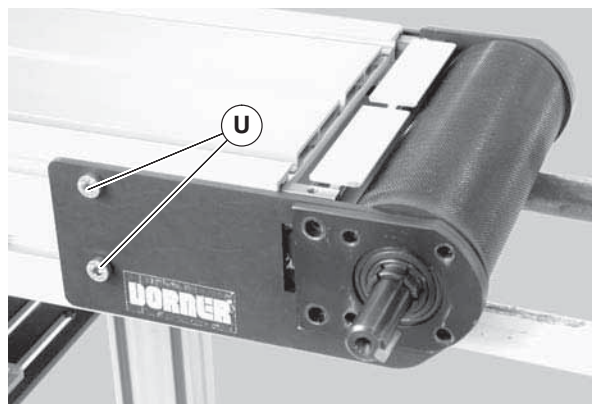


Figure 61

6. Remove the outer headplate assembly (Figure 62, item CD), and inner spacer (BH).

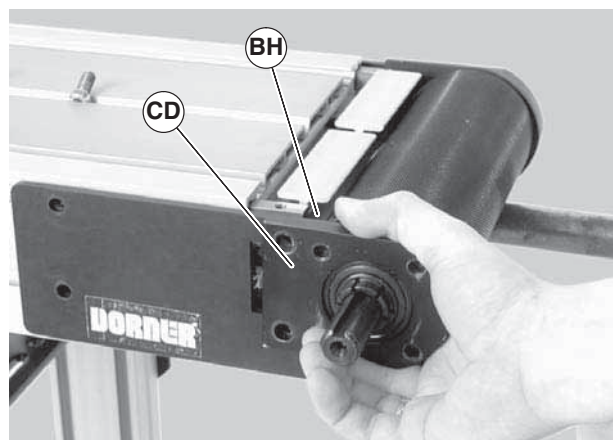


Figure 62

7. Slide the drive pulley (Figure 63, item CE) out of the headplate on the opposite side.

Preventive Maintenance and Adjustment

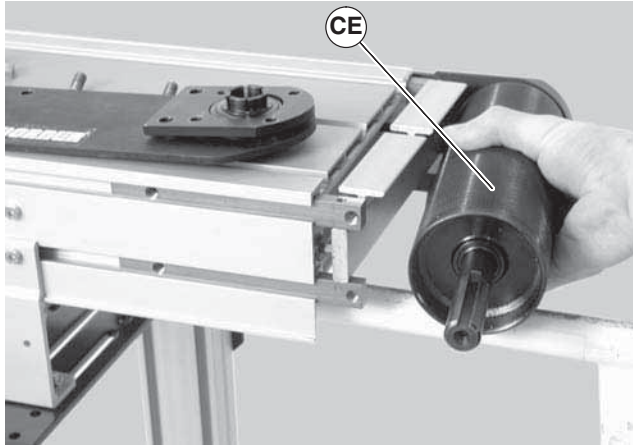


Figure 63

C – Transfer Tail Pulley Removal

1. Temporarily support the transfer tail assembly.

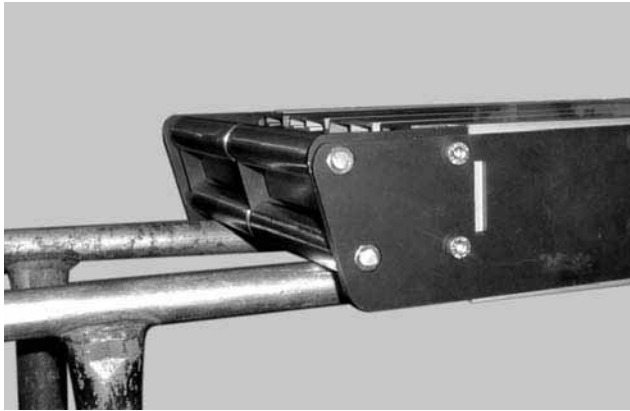


Figure 64

2. On one side of conveyor, loosen the two (2) back fastening screws (Figure 65, item U), and remove the two (2) front fastening screws (BG).

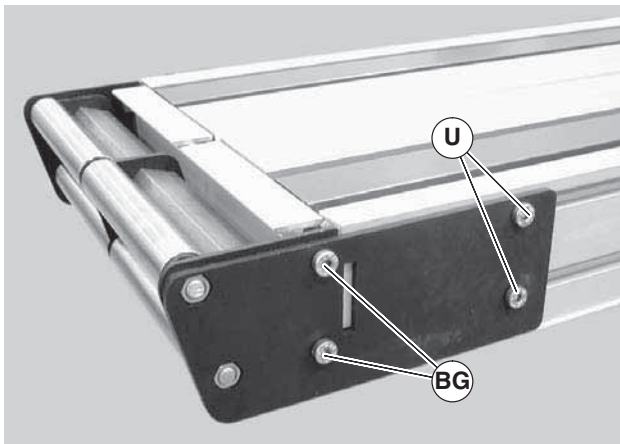


Figure 65

3. Pull back the outer headplate (Figure 66, item V) and remove the inner spacer (BH).

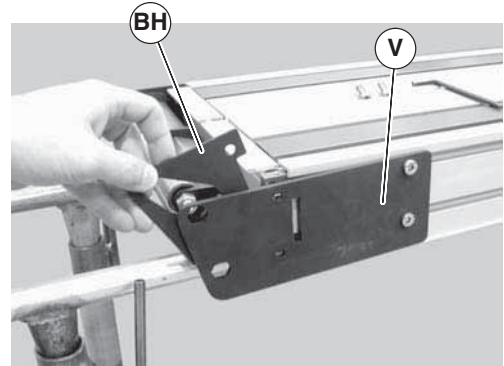


Figure 66

4. Slide the transfer tail pulley assembly (Figure 67, item CF) out of the headplate on the opposite side.

NOTE

On pinion gear, do not exceed a torque of 100 in-lb (11.3 N-m). Over tensioning the conveyor belt could cause excessive pulley bearing load and early failure.

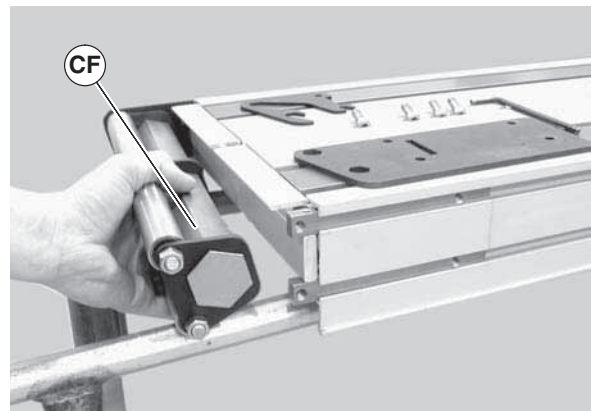


Figure 67

5. Remove hex nuts (Figure 68, item CG).

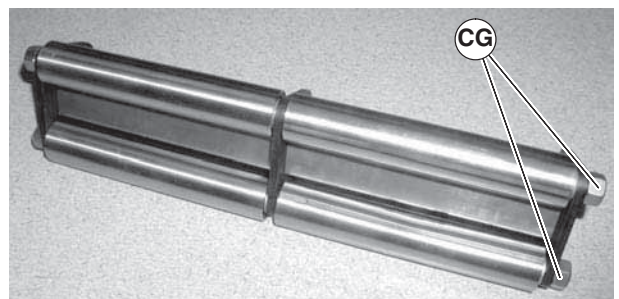


Figure 68

6. Remove support plates (Figure 69, item CH) and washers (CI).

Preventive Maintenance and Adjustment

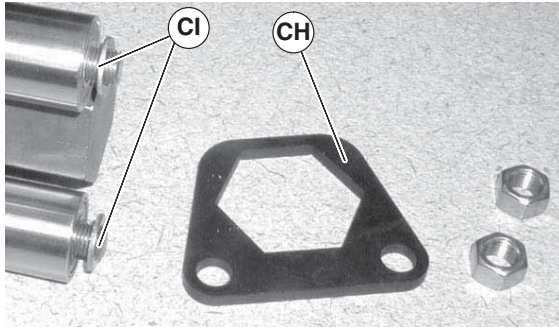


Figure 69

7. Remove pulleys (Figure 70, item CJ) and additional washers (CK).

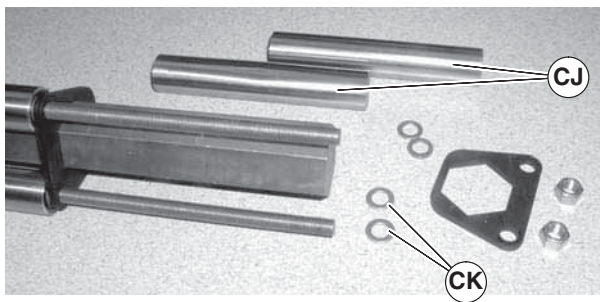


Figure 70

8. To remove additional pulleys, repeat steps 6 through 7.

D – Knuckle Idler Pulley Removal

1. Remove knuckle return roller and guard see “Knuckle Return Roller Removal” on page 23.
2. Temporarily support the knuckle idler pulley.



Figure 71

3. On one side of knuckle, remove screws (Figure 72, item CL) and knuckle plate assembly (CM).

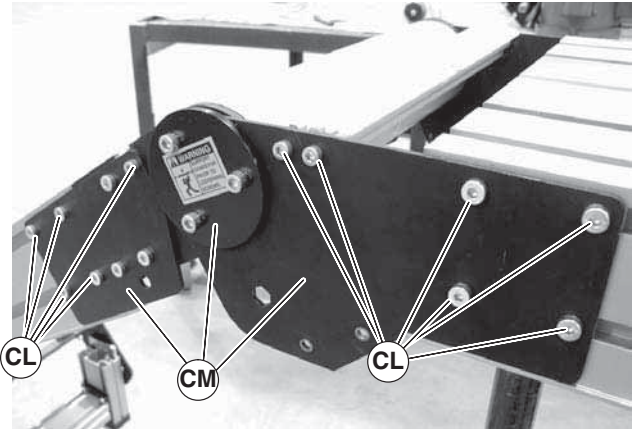


Figure 72

4. Slide the idler pulley assembly (Figure 73, item CN) out of the knuckle plate on the opposite side.

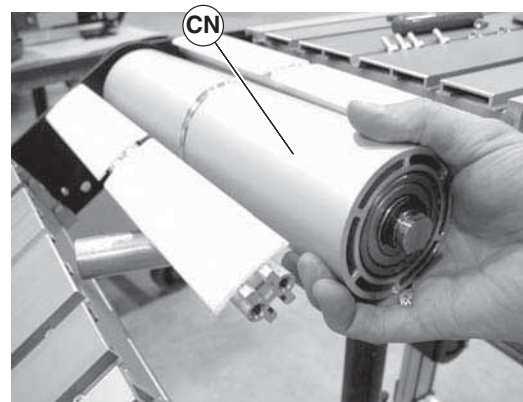


Figure 73

5. Remove the pulley shaft assembly: remove the clip ring (Figure 74, item BJ) and washer (BK) from one side of the pulley assembly.

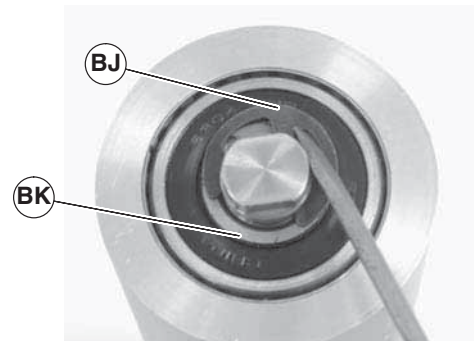


Figure 74

6. Slide the shaft assembly (Figure 48, item BL) out of the pulley (CN).

Preventive Maintenance and Adjustment

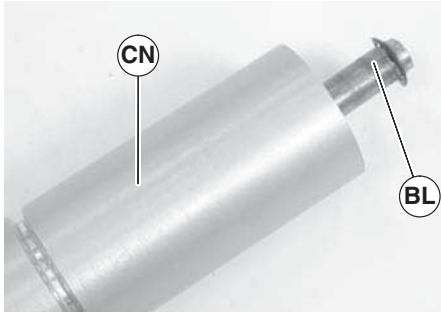


Figure 75

E – Knuckle Return Roller Removal

1. Remove screws (Figure 76, item AN) on both sides of knuckle and remove guard (AO).

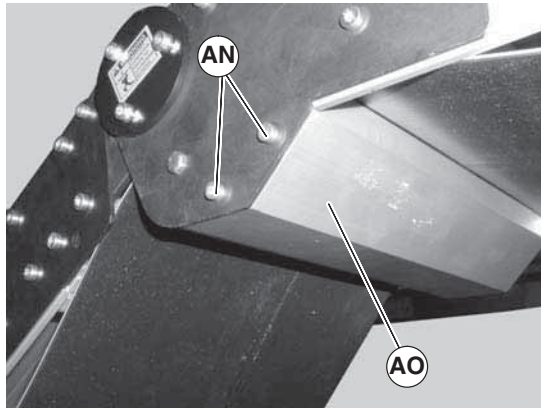


Figure 76

2. Push in hex posts (Figure 77, item AP) and remove pulley (AQ).

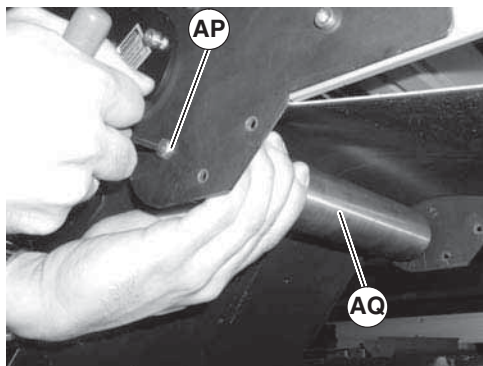


Figure 77

Bearing Replacement

⚠ WARNING



Exposed moving parts can cause severe injury.

LOCK OUT POWER before removing guards or performing maintenance.

- A – Idler Bearing
- B – Drive Bearing
- C – Transfer Tail Bearing
- D – Knuckle Idler Bearing
- E – Knuckle Return Roller Bearing

A – Idler Bearing Replacement

The bearings in a 3200 Series Idler Pulley can not be removed. Replace the entire pulley assembly when worn.

B – Drive Bearing Removal and Replacement

⚠ WARNING



Drive shaft keyway may be sharp.
HANDLE WITH CARE.

Removal

1. Turn bearing (Figure 78, item CO) to align with slots (CP) in bearing housing. Then remove bearing.

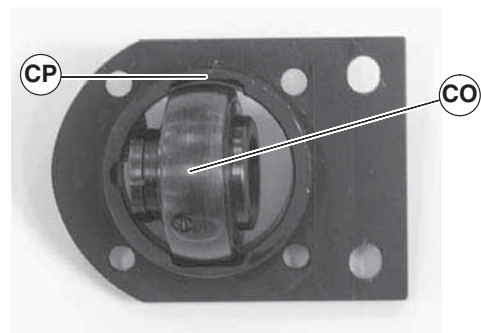


Figure 78

Preventive Maintenance and Adjustment

Replacement

1. Inspect bearing housing bearing surface. If worn or damaged, replace. See “Service Parts” on page 25.
2. Insert bearing (Figure 79, item CO) into housing slot (CP). Locate anti-rotation nub (CQ) to align with slot (CR), and twist bearing into housing.

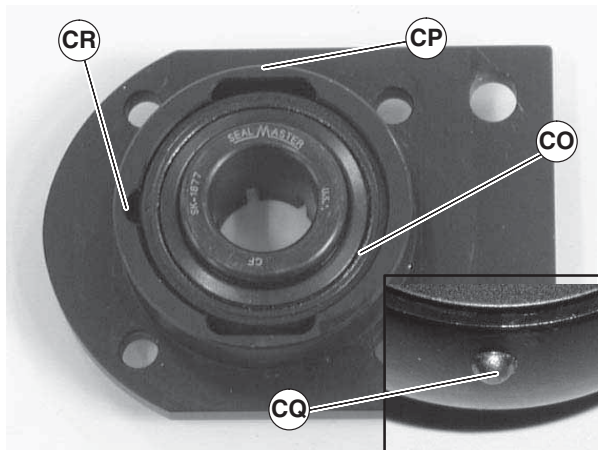


Figure 79

C – Transfer Tail Bearing Replacement

The bearings in a 3200 Series Transfer Tail Pulley can not be removed. Replace the entire pulley assembly when worn.

D – Knuckle Idler Bearing Replacement

The bearings in a 3200 Series Knuckle Idler Pulley can not be removed. Replace the entire pulley assembly when worn.

E – Knuckle Return Roller Bearing Replacement

The bearings in a 3200 Series Knuckle Return Roller can not be removed. Replace the entire roller assembly when worn.

Pulley Replacement

Idler Pulley

To replace the idler pulley, reverse the “Idler Pulley Removal” procedure on page 17.

Drive Pulley

To replace the drive pulley, reverse the “Drive Pulley Removal” procedure on page 18.

Transfer Tail Pulley

To replace the transfer tail pulley, reverse the “Transfer Tail Pulley Removal” procedure on page 21.


Knuckle Pulley

To replace the knuckle pulley, reverse the “Knuckle Pulley Removal” procedure on page 22.

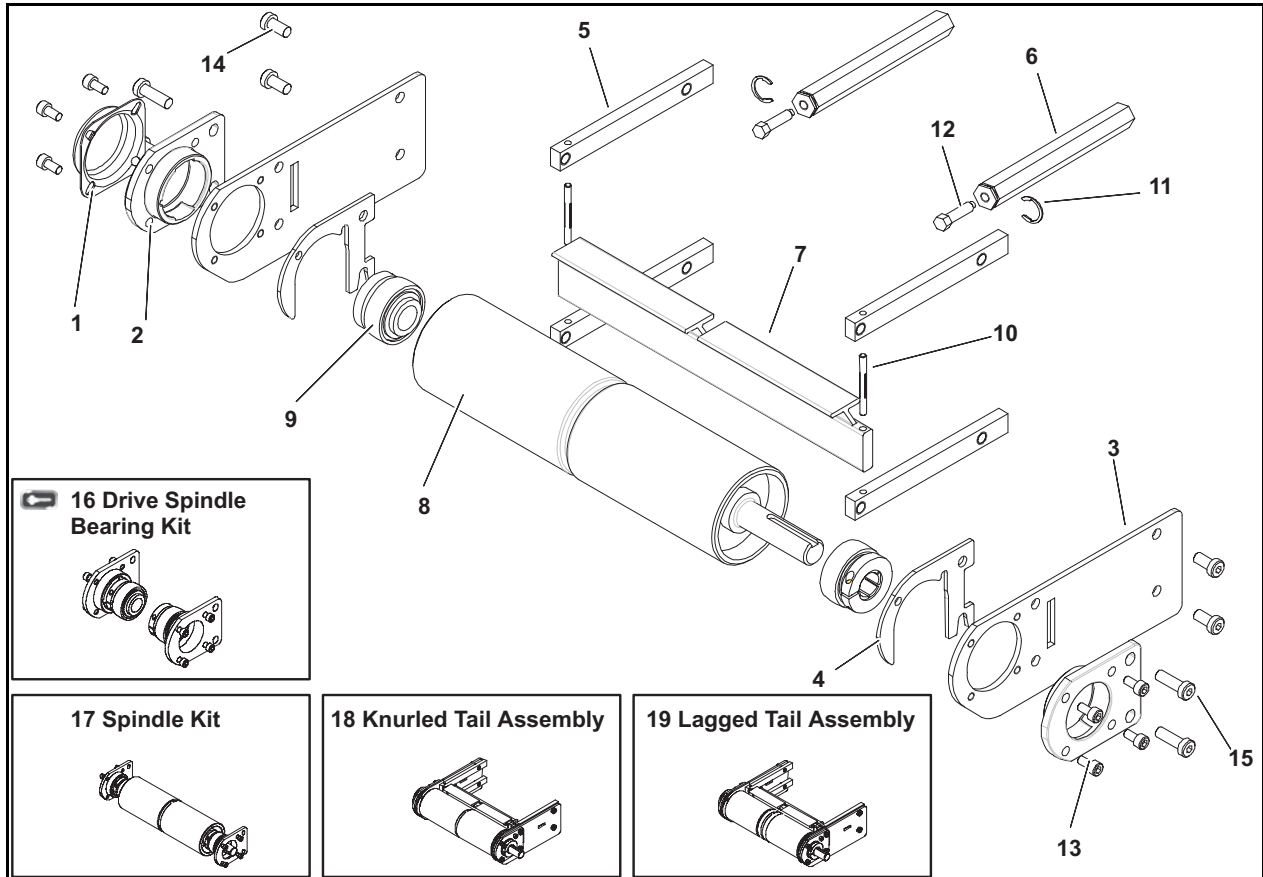
Knuckle Return Roller

To replace the knuckle return roller, reverse the “Knuckle Return Roller Removal” procedure on page 23.

NOTE

For replacement parts other than those shown in this section, contact an authorized *Dorner Service Center* or the factory. Key Service Parts and Kits are identified by the Performance Parts Kits logo . Dorner recommends keeping these parts on hand.

Drive End Tail Assembly



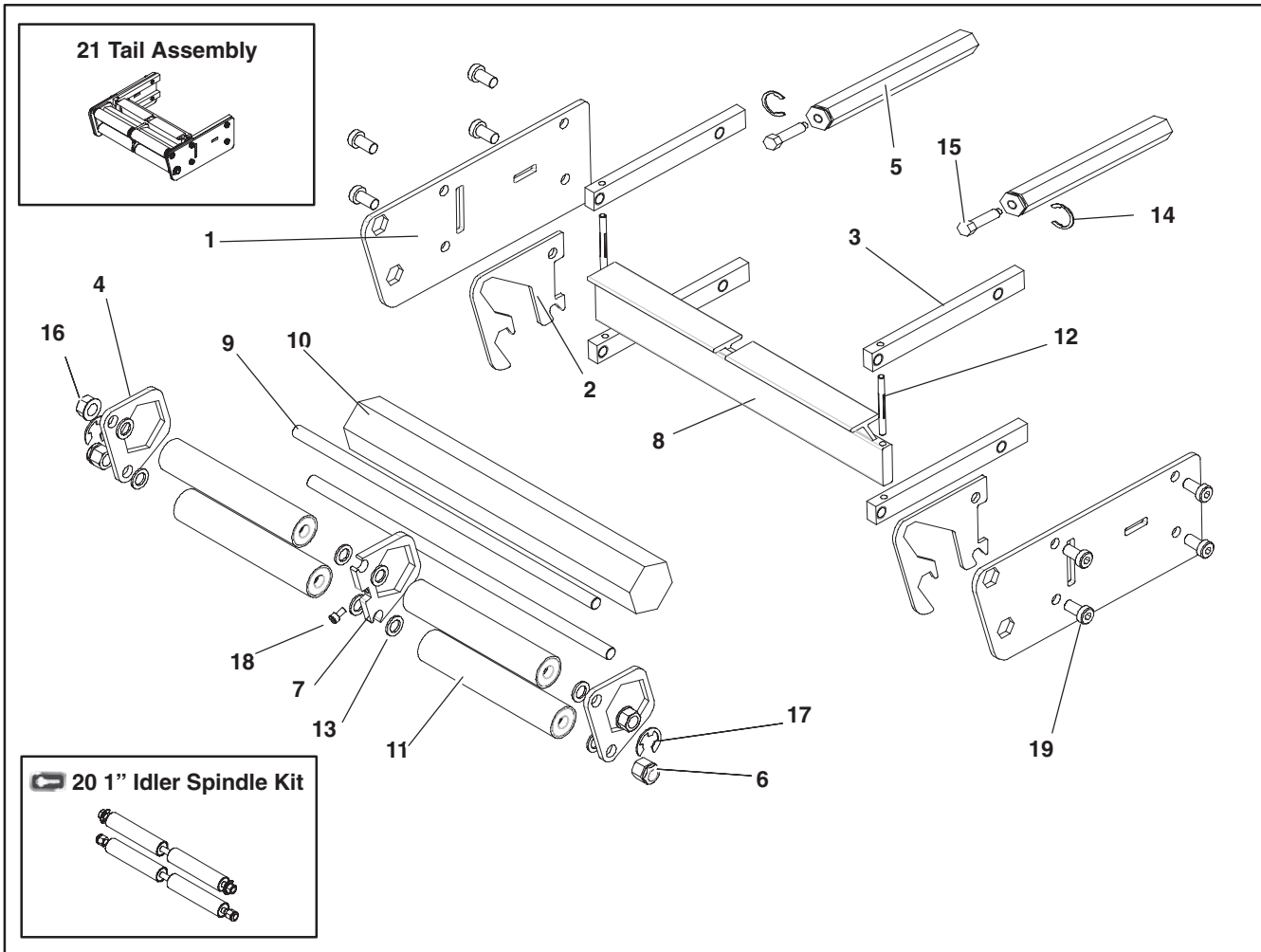
Item	Part Number	Description
1	300139	Shaft Cover
2	300885	Bearing Retainer
3	301048	Drive Tail Cover Plate
4	301083	3" Inner Tail Plate
5	301088	Tail Bar Clamp
6	301196	Hex Tension Tracking Shaft
7	3202WW	Tail Articulation Bar
8	3286WW	Knurled Drive Spindle Assy
	3288WW	Lagged Drive Spindle Assy
9	802-135	D-Lok Bearing
10	807-1125	Groove Pin
11	807-1151	Retaining Ring
12	807-1152	Hex Head Cap Screw M6 x 20mm
13	920612M	Socket Head Screw M6 x 12mm
14	920893M	Low Head Socket Screw M8x16mm
15	920895M	Low Head Socket Screw M8x25mm
16	32D	Drive Spindle Bearing Kit (Includes Items 2, 9 and 13)

Item	Part Number	Description
17	32KD-WW	Knurled Spindle Kit (Includes Items 2, 8, 9 and 13)
	32LD-WW	Lagged Spindle Kit (Includes Items 2, 8, 9 and 13)
18	32KDTA-WW	Knurled Tail Assy. Position A and B (Includes items 1 through 5, 7 through 10 and 13 through 15)
	32KDTD-WW	Knurled Tail Assy. Position C and D (Includes items 1 through 5, 7 through 10 and 13 through 15)
19	32LDTA-WW	Lagged Tail Assy. Position A and B (Includes items 1 through 5, 7 through 10 and 13 through 15)
	32LDTD-WW	Lagged Tail Assy. Position C and D (Includes items 1 through 5, 7 through 10 and 13 through 15)

WW = Conveyor width reference: 04 – 48 in 02 increments

Service Parts

Transfer Tail Assembly

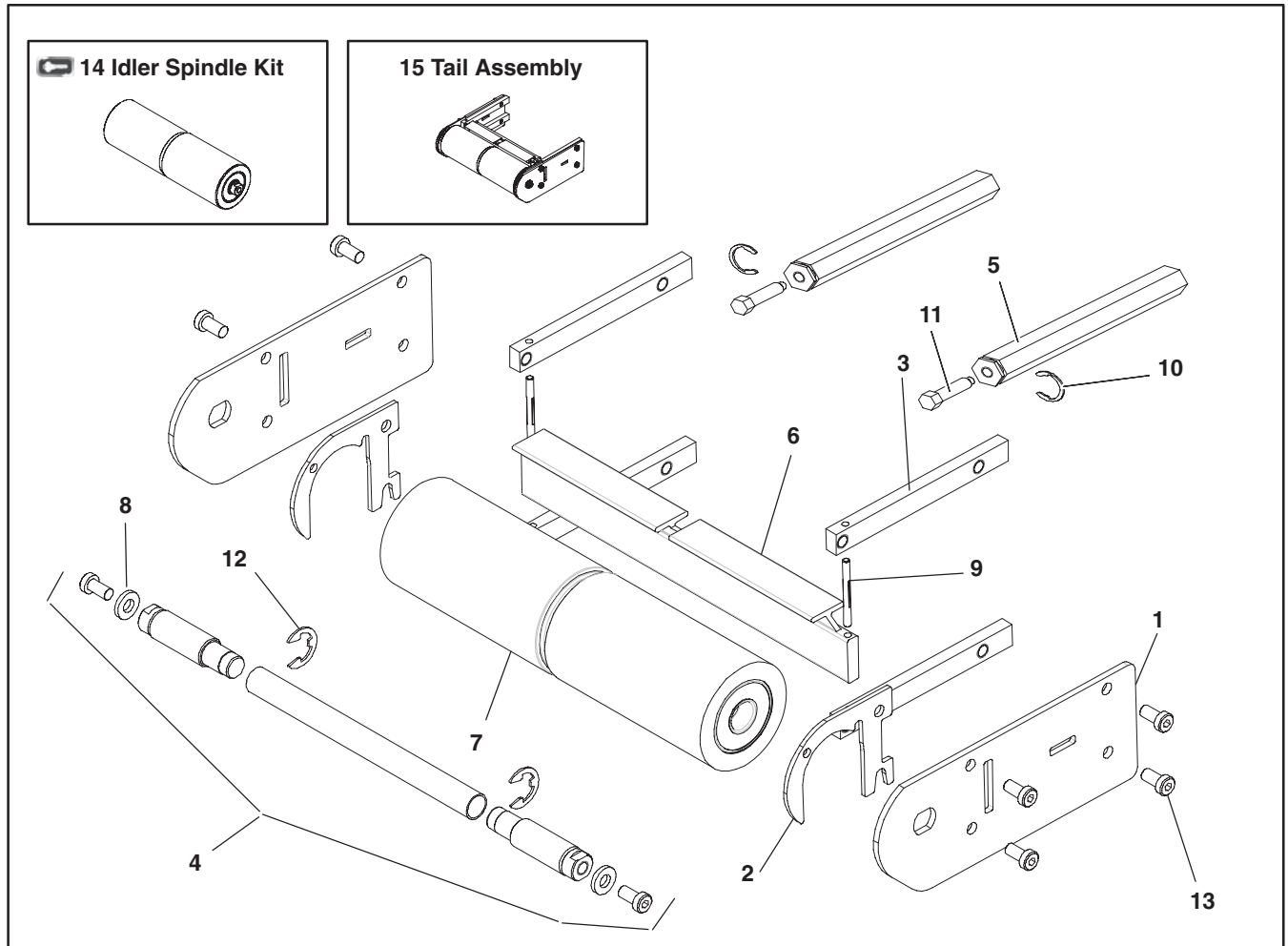


Item	Part Number	Description
1	301082	Nosebar Cover Plate
2	301084	1" Inner Tail Plate
3	301088	Tail Bar Clamp
4	301090	Transfer Tail Support Plate
5	301196	Hex Tension Tracking Shaft
6	301352	Nut, E-ring, Brace
7	301354	Inner Transfer Tail Support Plate
8	3202 WW	Tail Articulation Bar
9	3217 WW	1" Idler Tail Axle Shaft
10	3219 WW	Support Bar
11	3237 WW	Transfer Tail Roller – (Qty. = 4 for 04–24 Wide, 8 for 26–48 Wide)

Item	Part Number	Description
12	807-1125	Groove Pin
13	807-1136	Washer
14	807-1151	Retaining Ring
15	807-1152	Hex Head Cap Screw M6 x 20mm
16	910-203	3/8" Hex Nut
17	915-319	Retaining Ring
18	920408M	Hex Head Cap Screw M4 x 8mm
19	920893M	Low Head Socket Screw M8 x 16mm
20	32T1- WW	1" Idler Spindle Kit (includes items 6, 9, 11, 13, 16 and 17)
21	32TT1- WW	Tail Assembly (includes items 1, 2, 3, 8, 10, 12 and 19)

~~WW~~ = Conveyor width reference: 04 – 48 in 02 increments

Idler End Assembly



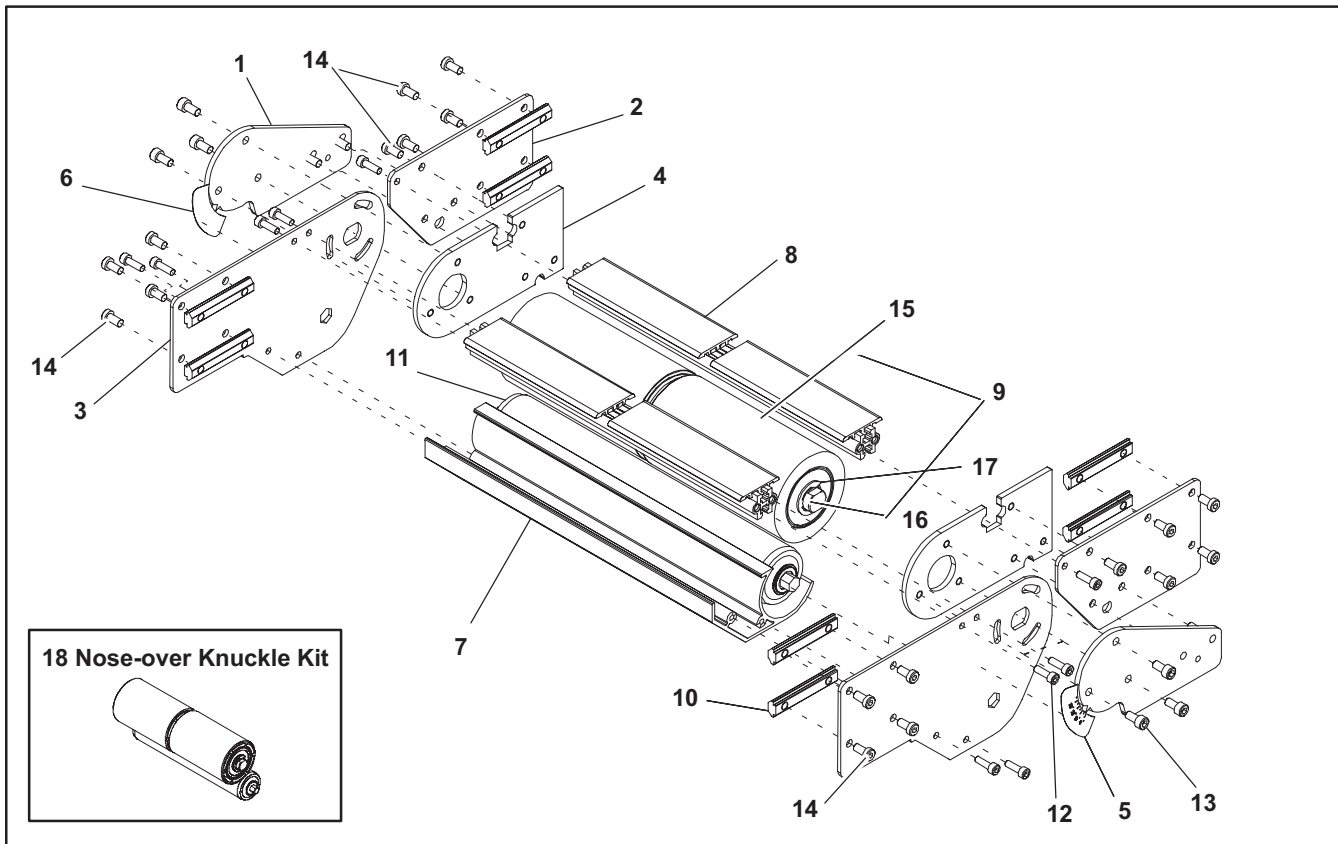
Item	Part Number	Description
1	301049	Idler Cover Plate
2	301083	Inner 3" Tail Plate
3	301088	Tail Bar Clamp
4	3282 \overline{WW}	Idler Spindle Wand Assembly (includes items 8 and 12)
5	301196	Hex Tension Tracking Shaft
6	3202 \overline{WW}	Tail Articulation Bar
7	3289 \overline{WW}	3" Idler Pulley
8	605280P	Hard Washer

Item	Part Number	Description
9	807-1125	Groove Pin
10	807-1151	Tracking Shaft Retaining Ring
11	807-1152	Hex Head Cap Screw M6 x 20mm
12	915-235	Stub Shaft Retaining Ring
13	920893M	Low Head Socket Screw M8 x 16mm
14	32T3- \overline{WW}	Idler Spindle Kit (includes items 4 and 7)
15	32TT3- \overline{WW}	Tail Assembly (including items 1 through 4, 6, 7, 9 and 13)

\overline{WW} = Conveyor width reference: 04 – 48 in 02 increments

Service Parts

Knuckle Assembly

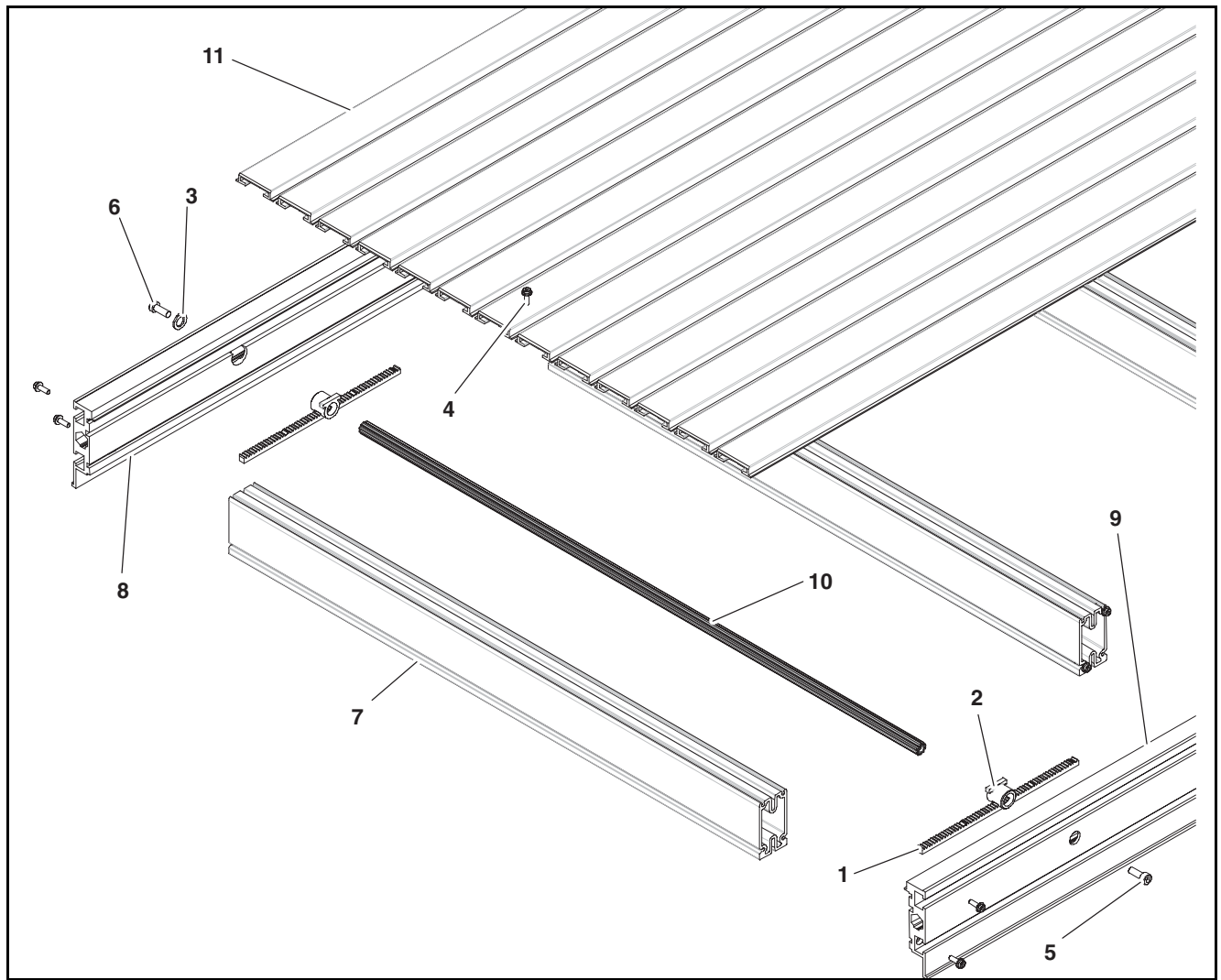


Item	Part Number	Description
1	300657	Slots Pointer Cover Disc
2	301155	Short LPZ Cover Plate
3	301156	Flat Upper Outside Plate
4	301160	LPZ Inside Pivot Plate
5	301223	LH Angle Label 0-35
6	301224	RH Angle Label 0-35
7	3225WW	Return Roller Cover
8	3276WW	Belt Support Rail Assy
9	3285WW	LPZ-CD Idler Pulley Assy (includes items 15 and 16)

Item	Part Number	Description
10	300150M	Drop In Tee Bar
11	3252WW	Return Roller
12	920516M	Socket Head Screw M5 x 16mm
13	920612M	Socket Head Screw M6 x 12mm
14	920692M	Socket Low Head Screw M6 x 12mm
15	3289WW	3" Idler Pulley
16	3283WW	Idler Shaft Assembly
17	915-235	Retaining Ring
18	LPZNO-WW	Nose-over Knuckle Kit (includes items 11, 15, 16 and 17)

WW = Conveyor width reference: 04 – 48 in 02 increments

Frame Assembly



Item	Part Number	Description
1	240420	Rack Gear
2	301091	Pinion Bearing
3	605279P	Washer
4	920483M	Flange Socket Screw M4 x 16mm
5	920616M	Socket Head Screw M6 x 16mm
6	920693M	Low Head Socket Screw M6 x 16mm
7	3245 \overline{WW}	Cross Support Rail
8	301041- \overline{LLLLL}	RH Side Rail
9	301042- \overline{LLLLL}	LH Side Rail
10	3229 \overline{WW}	Pinion
11		Bed Plate Rail

\overline{WW} = Conveyor width reference: 04 – 48 in 02 increments
 \overline{LLLLL} = Frame Length (see Bed Plate & Frame Formulas)

Item 11: Bed Plate Rail	
Width	Part Number
1.75" (mm)	300887- \overline{LLLLL}
2" (54mm)	300888- \overline{LLLLL}
4" (102mm)	300889- \overline{LLLLL}
6" (152mm)	300890- \overline{LLLLL}
\overline{LLLLL} = Bed Plate Length (see Bed Plate & Frame Formulas)	

Bed Plate and Frame Formulas

Bed Plate and Frame Formulas

Bed Plate \overline{LLLLL} = Frame \overline{LLLLL} - 00013

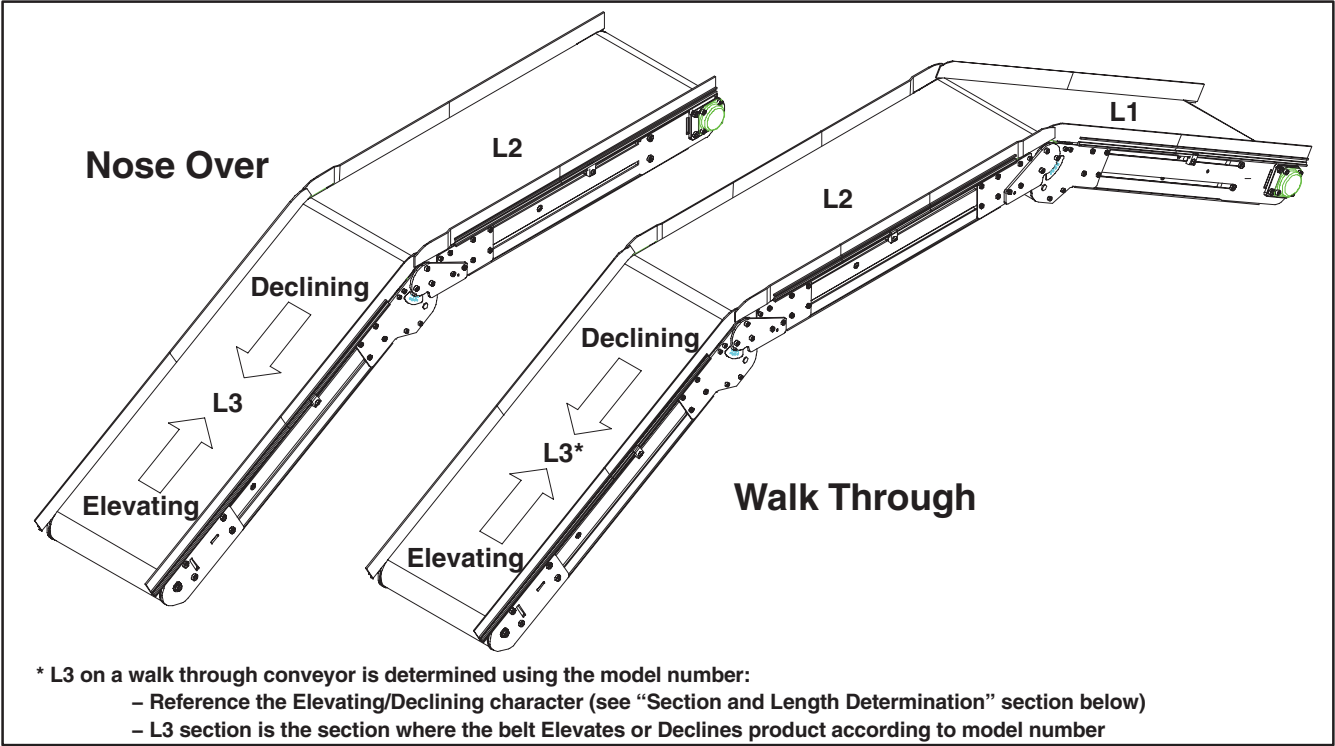
Frame \overline{LLLLL} = $\frac{\text{Conveyor Length } \overline{LLLLL} \times 12 - \text{Tail Adder}}{\# \text{ of Sections of Conveyor}}$

Tail Adder = 00600 for each Tension End
 00425 for each Non-Tension End
 00600 for each Knuckle Attachment

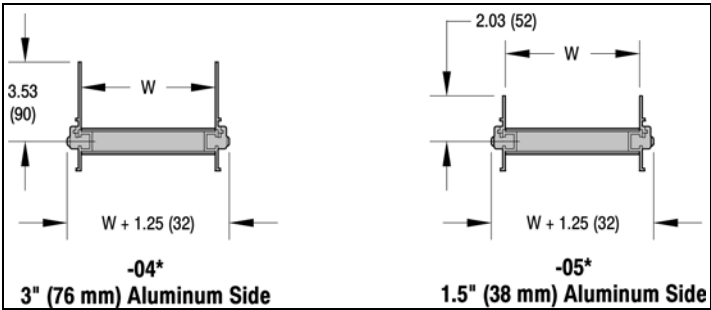
Service Parts

Width	Bed Plate Configuration													
4"								1.75"						
6"								4"						
8"								6"						
10"							2"	4"	2"					
12"							2"	6"	2"					
14"							4"	4"	4"					
16"							4"	6"	4"					
18"							6"	4"	6"					
20"							6"	6"	6"					
22"					4"		4"	4"	4"	4"				
24"					4"		4"	6"	4"	4"				
26"					6"		4"	4"	4"	6"				
28"					6"		4"	6"	4"	6"				
30"					6"		6"	4"	6"	6"				
32"					6"		6"	6"	6"	6"				
34"				4"	4"		6"	4"	6"	4"	4"			
36"				4"	4"		6"	6"	6"	4"	4"			
38"				4"	6"		6"	4"	6"	6"	4"			
40"				4"	6"		6"	6"	6"	6"	4"			
42"				6"	6"		6"	4"	6"	6"	6"			
44"				6"	6"		6"	6"	6"	6"	6"			
46"			4"	4"	6"		6"	4"	6"	6"	4"	4"		
48"			4"	4"	6"		6"	6"	6"	6"	4"	4"		
50"			4"	6"	6"		6"	4"	6"	6"	6"	4"		
52"			4"	6"	6"		6"	6"	6"	6"	6"	4"		
54"			6"	6"	6"		6"	4"	6"	6"	6"	6"		
56"			6"	6"	6"		6"	6"	6"	6"	6"	6"		
58"		4"	4"	6"	6"		6"	4"	6"	6"	6"	4"	4"	
60"		4"	4"	6"	6"		6"	6"	6"	6"	6"	4"	4"	
62"		4"	6"	6"	6"		6"	4"	6"	6"	6"	6"	4"	
64"		4"	6"	6"	6"		6"	6"	6"	6"	6"	6"	4"	
66"		6"	6"	6"	6"		6"	4"	6"	6"	6"	6"	6"	
68"		6"	6"	6"	6"		6"	6"	6"	6"	6"	6"	6"	
70"	4"	4"	6"	6"	6"		6"	4"	6"	6"	6"	6"	4"	4"
72"	4"	4"	6"	6"	6"		6"	6"	6"	6"	6"	6"	4"	4"

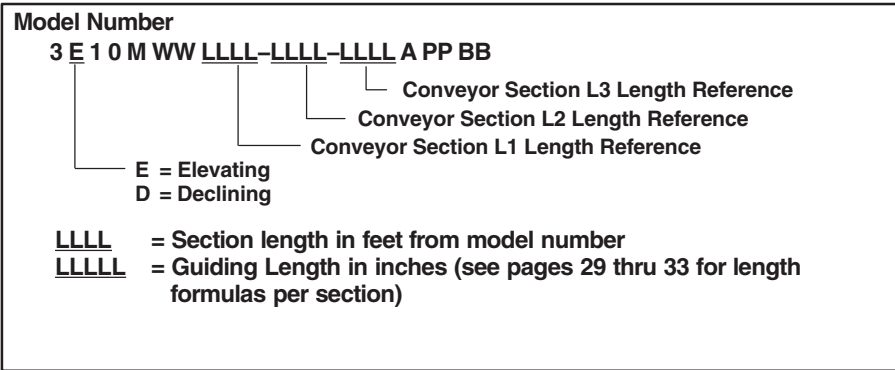
Conveyor Configurations



Guiding Options (TT)

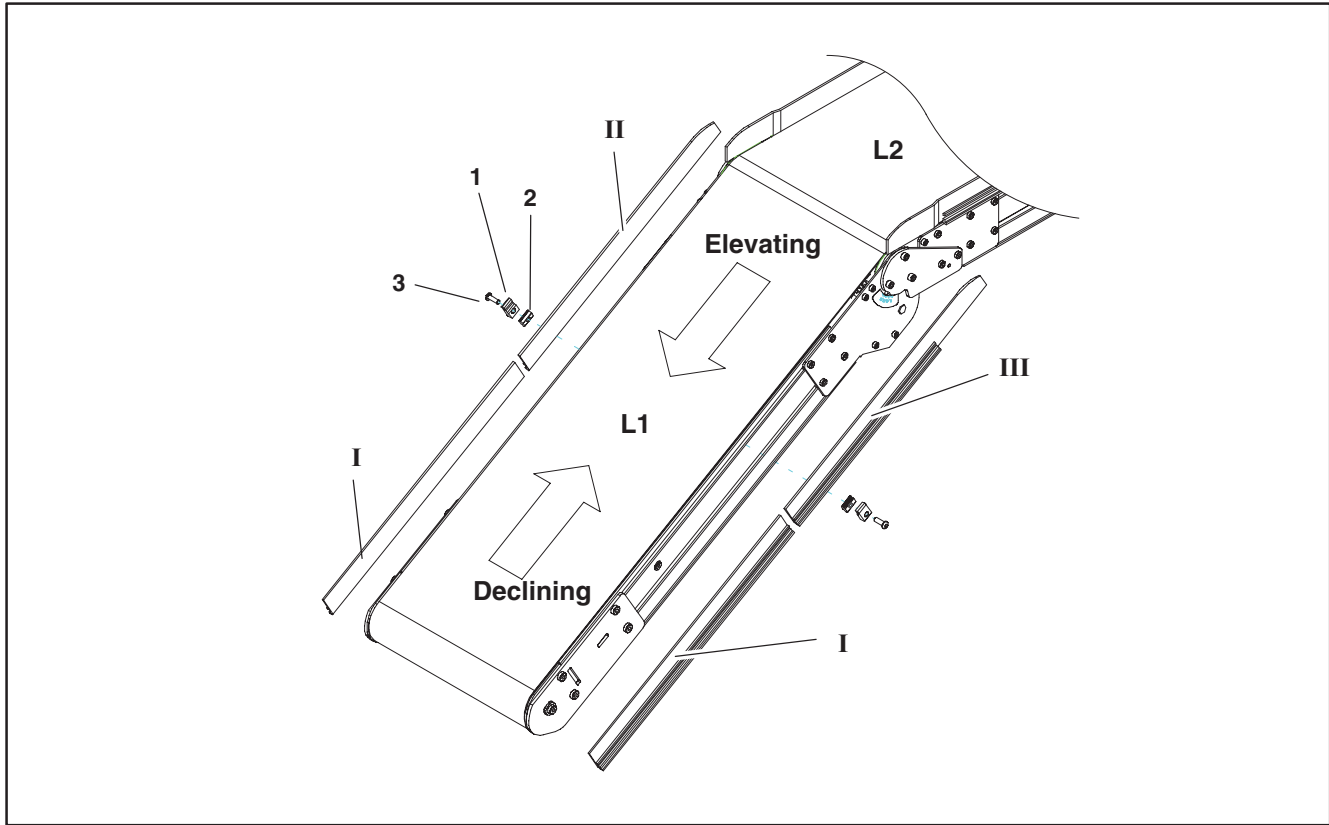


Section and Length Determination



Service Parts

Walk Through Frame – Section L1



Item	Part Number	
1	200121	Guide Retaining Clip
2	639971M	Single Drop-in Tee Bar

Item	Part Number	
3	920694M	Socket Head Screw M6 x 20mm

Elevating Belt Travel

Section L1 Length – <u>LLLL</u>	I	II	III
0200	No Guiding Section	38TT17	38TT18
0201 – 0399	$38TT00-LLLLL LLLLL = (LLLL \times 6) + 00038$	$38TT17-LLLLL LLLLL = (LLLL \times 6) + 00038$	$38TT18-LLLLL LLLLL = (LLLL \times 6) + 00038$
0400 and up	$38TT00-LLLLL LLLLL = (LLLL \times 12) - 02400$	38TT17	38TT18

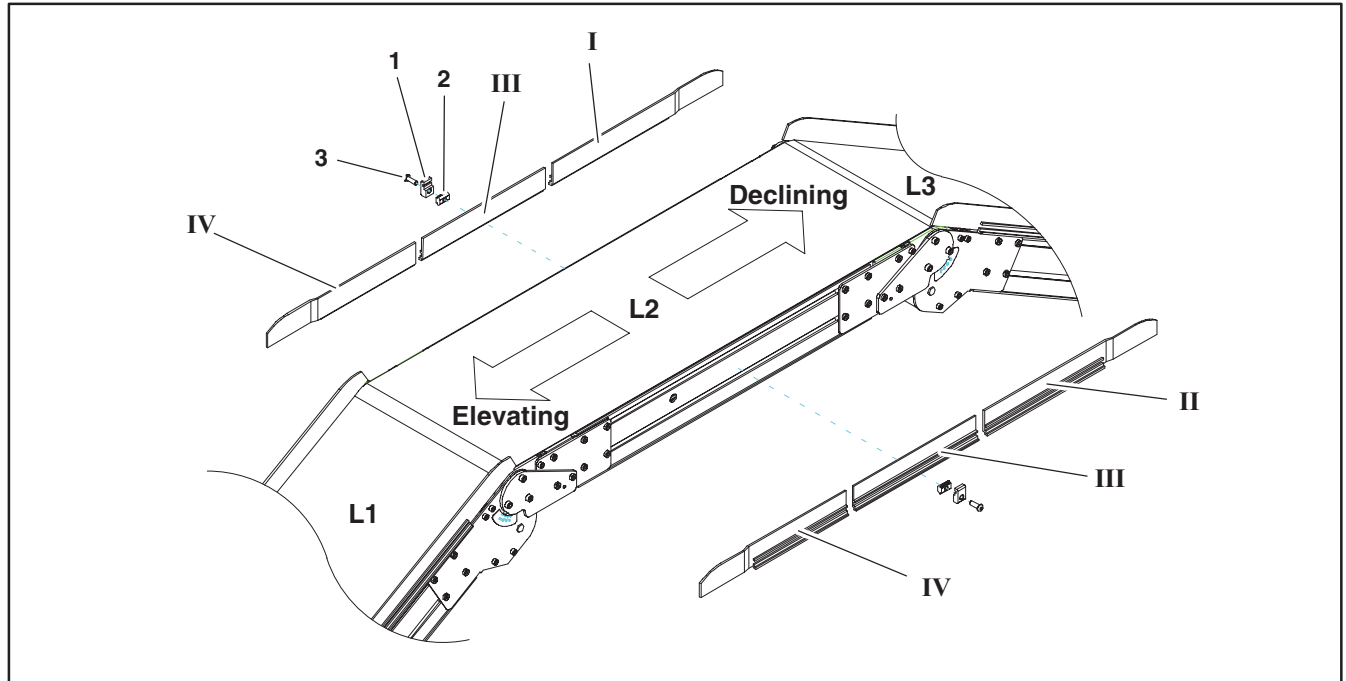
For TT options see “Guide Options” section on page 31

Declining Belt Travel

Section L1 Length – <u>LLLL</u>	I	II	III
0200	No Guiding Section	38TT15	38TT16
0201 – 0399	$38TT00-LLLLL LLLLL = (LLLL \times 6) + 00038$	$38TT15-LLLLL LLLLL = (LLLL \times 6) + 00038$	$38TT16-LLLLL LLLLL = (LLLL \times 6) + 00038$
0400 and up	$38TT00-LLLLL LLLLL = (LLLL \times 12) - 02400$	38TT15	38TT16

For TT options see “Guide Options” section on page 31

Walk Through Frame – Section L2



Item	Part Number	Description
1	200121	Guide Retaining Clip
2	639971M	Single Drop-in Tee Bar

Item	Part Number	Description
3	920694M	Socket Head Screw M6 x 20mm

Elevating Belt Travel

Section L2 Length – LLLL	I	II	III	IV	V
0200 – 0371	38TT17–LLLLL LLLLL = (LLLL x 6) + 00075	38TT18–LLLLL LLLLL = (LLLL x 6) + 00075	No Guiding Section	38TT15–LLLLL LLLLL = (LLLL x 6) + 00075	38TT16–LLLLL LLLLL = (LLLL x 6) + 00075
0371 – 0600	38TT17–LLLLL LLLLL = (LLLL x 4) + 00050	38TT18–LLLLL LLLLL = (LLLL x 4) + 00050	38TT00–LLLLL LLLLL = (LLLL x 4) + 00050	38TT15–LLLLL LLLLL = (LLLL x 4) + 00050	38TT16–LLLLL LLLLL = (LLLL x 4) + 00050
0601 and up	38TT17	38TT18	38TT00–LLLLL LLLLL = (LLLL x 12) – 04600	38TT15	38TT16

For TT options see “Guide Options” section on page 31

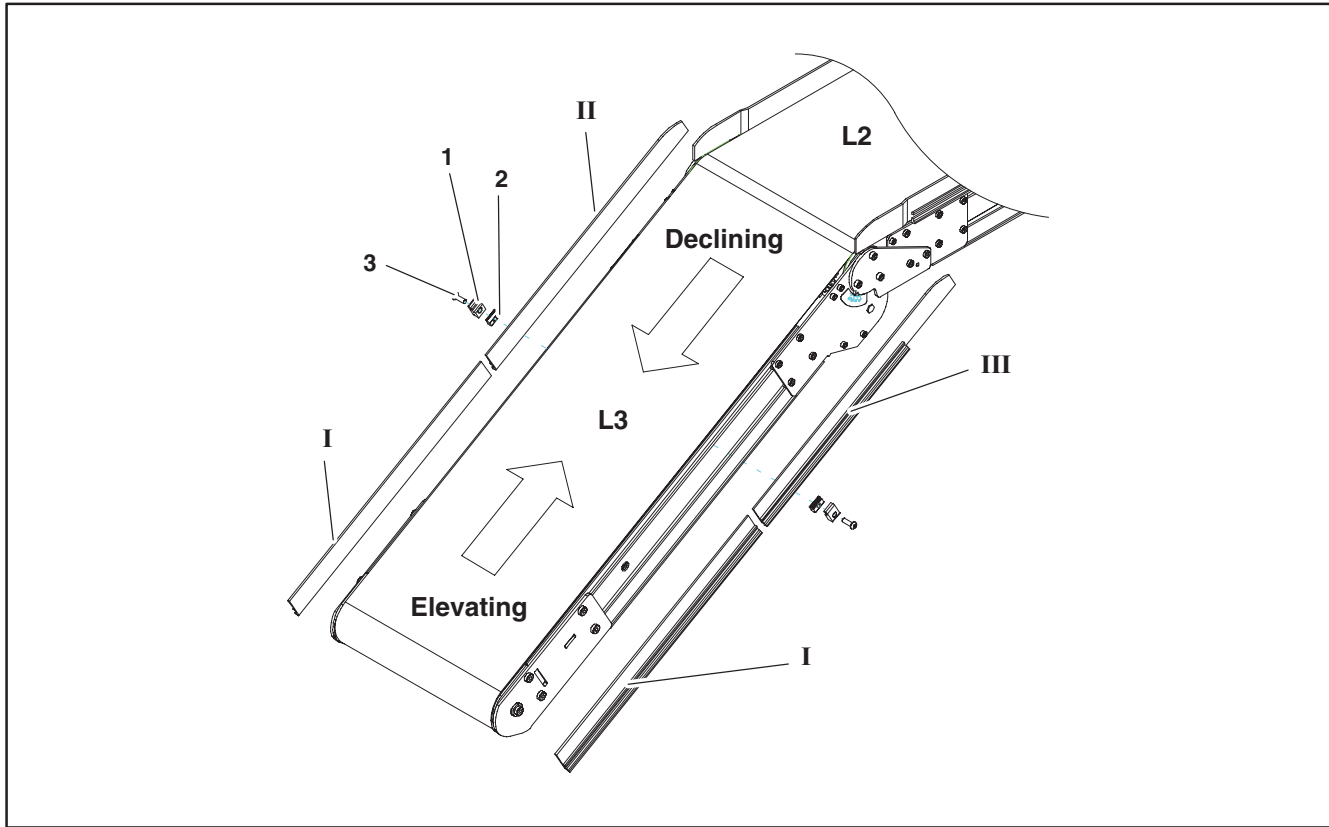
Declining Belt Travel

Section L2 Length – LLLL	I	II	III	IV	V
0200 – 0373	38TT15–LLLLL LLLLL = (LLLL x 6) + 00075	38TT16–LLLLL LLLLL = (LLLL x 6) + 00075	No Guiding Section	38TT17–LLLLL LLLLL = (LLLL x 6) + 00075	38TT18–LLLLL LLLLL = (LLLL x 6) + 00075
0373 – 0600	38TT15–LLLLL LLLLL = (LLLL x 4) + 00050	38TT16–LLLLL LLLLL = (LLLL x 4) + 00050	38TT00–LLLLL LLLLL = (LLLL x 4) + 00050	38TT17–LLLLL LLLLL = (LLLL x 4) + 00050	38TT18–LLLLL LLLLL = (LLLL x 4) + 00050
0601 and up	38TT15	38TT16	38TT00–LLLLL LLLLL = (LLLL x 12) – 04600	38TT17	38TT18

For TT options see “Guide Options” section on page 31

Service Parts

Walk Through Frame – Section L3



Item	Part Number	Description
1	200121	Guide Retaining Clip
2	639971M	Single Drop-in Tee Bar

Item	Part Number	Description
3	920694M	Socket Head Screw M6 x 20mm

Elevating Belt Travel

Section L3 Length – LLLL	I	II	III
0200	No Guiding Section	38TT15	38TT16
0201 – 0399	$38TT00 - LLLLL LLLLL = (LLLL \times 6) + 00038$	$38TT15 - LLLLL LLLLL = (LLLL \times 6) + 00038$	$38TT16 - LLLLL LLLLL = (LLLL \times 6) + 00038$
0400 and up	$38TT00 - LLLLL LLLLL = (LLLL \times 12) - 02400$	38TT15	38TT16

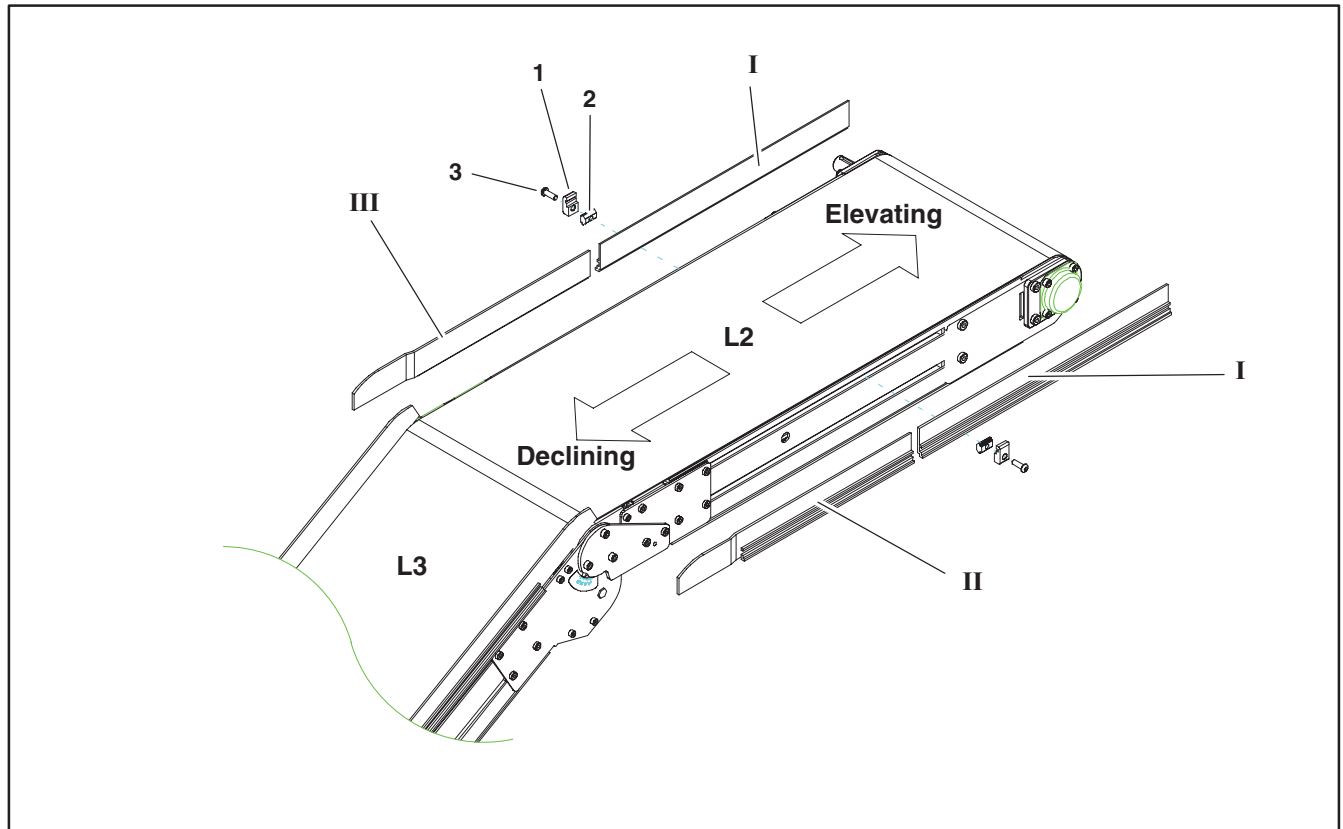
For TT options see "Guide Options" section on page 31

Declining Belt Travel

Section L3 Length – LLLL	I	II	III
0200	No Guiding Section	38TT17	38TT18
0201 – 0399	$38TT00 - LLLLL LLLLL = (LLLL \times 6) + 00038$	$38TT17 - LLLLL LLLLL = (LLLL \times 6) + 00038$	$38TT18 - LLLLL LLLLL = (LLLL \times 6) + 00038$
0400 and up	$38TT00 - LLLLL LLLLL = (LLLL \times 12) - 02400$	38TT17	38TT18

For TT options see "Guide Options" section on page 31

Nose Over Frame – Section L2



Item	Part Number	Description
1	200121	Guide Retaining Clip
2	639971M	Single Drop-in Tee Bar

Item	Part Number	Description
3	920694M	Socket Head Screw M6 x 20mm

Elevating Belt Travel

Section L2 Length – LLLL	I	II	III
0200	No Guiding Section	38TT17	38TT18
0201 – 0399	$38TT00 - LLLLL LLLLL = (LLLL \times 6) + 00038$	$38TT17 - LLLLL LLLLL = (LLLL \times 6) + 00038$	$38TT18 - LLLLL LLLLL = (LLLL \times 6) + 00038$
0400 and up	$38TT00 - LLLLL LLLLL = (LLLL \times 12) - 02400$	38TT17	38TT18

For TT options see "Guide Options" section on page 31

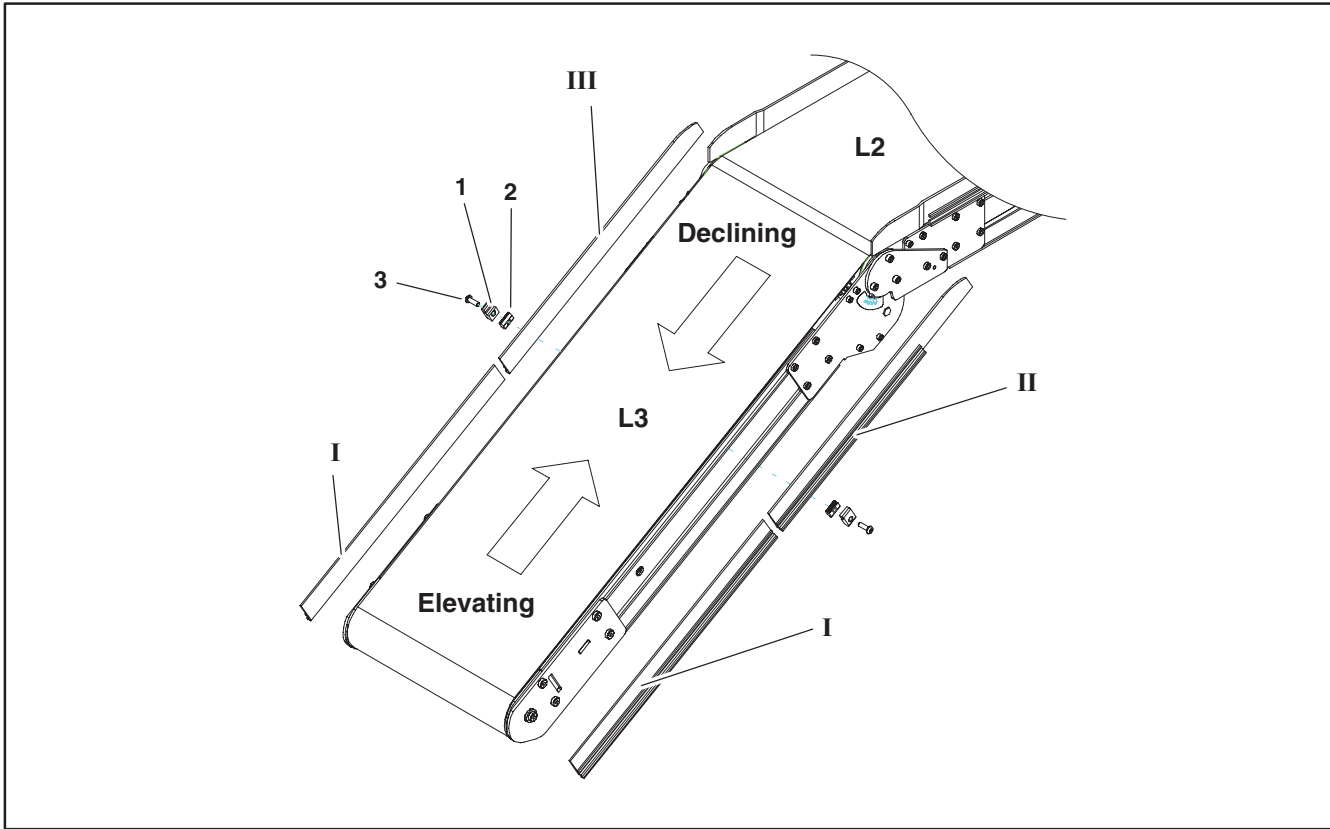
Declining Belt Travel

Section L2 Length – LLLL	I	II	III
0200	No Guiding Section	38TT15	38TT16
0201 – 0399	$38TT00 - LLLLL LLLLL = (LLLL \times 6) + 00038$	$38TT15 - LLLLL LLLLL = (LLLL \times 6) + 00038$	$38TT16 - LLLLL LLLLL = (LLLL \times 6) + 00038$
0400 and up	$38TT00 - LLLLL LLLLL = (LLLL \times 12) - 02400$	38TT15	38TT16

For TT options see "Guide Options" section on page 31

Service Parts

Nose Over Frame – Section L3



Item	Part Number	Description
1	200121	Guide Retaining Clip
2	639971M	Single Drop-in Tee Bar

Item	Part Number	Description
3	920694M	Socket Head Screw M6 x 20mm

Elevating Belt Travel

Section L3 Length – LLLL	I	II	III
0200	No Guiding Section	38TT15	38TT16
0201 – 0399	$38TT00 - LLLLL LLLLL = (LLLL \times 6) + 00038$	$38TT15 - LLLLL LLLLL = (LLLL \times 6) + 00038$	$38TT16 - LLLLL LLLLL = (LLLL \times 6) + 00038$
0400 and up	$38TT00 - LLLLL LLLLL = (LLLL \times 12) - 02400$	38TT15	38TT16

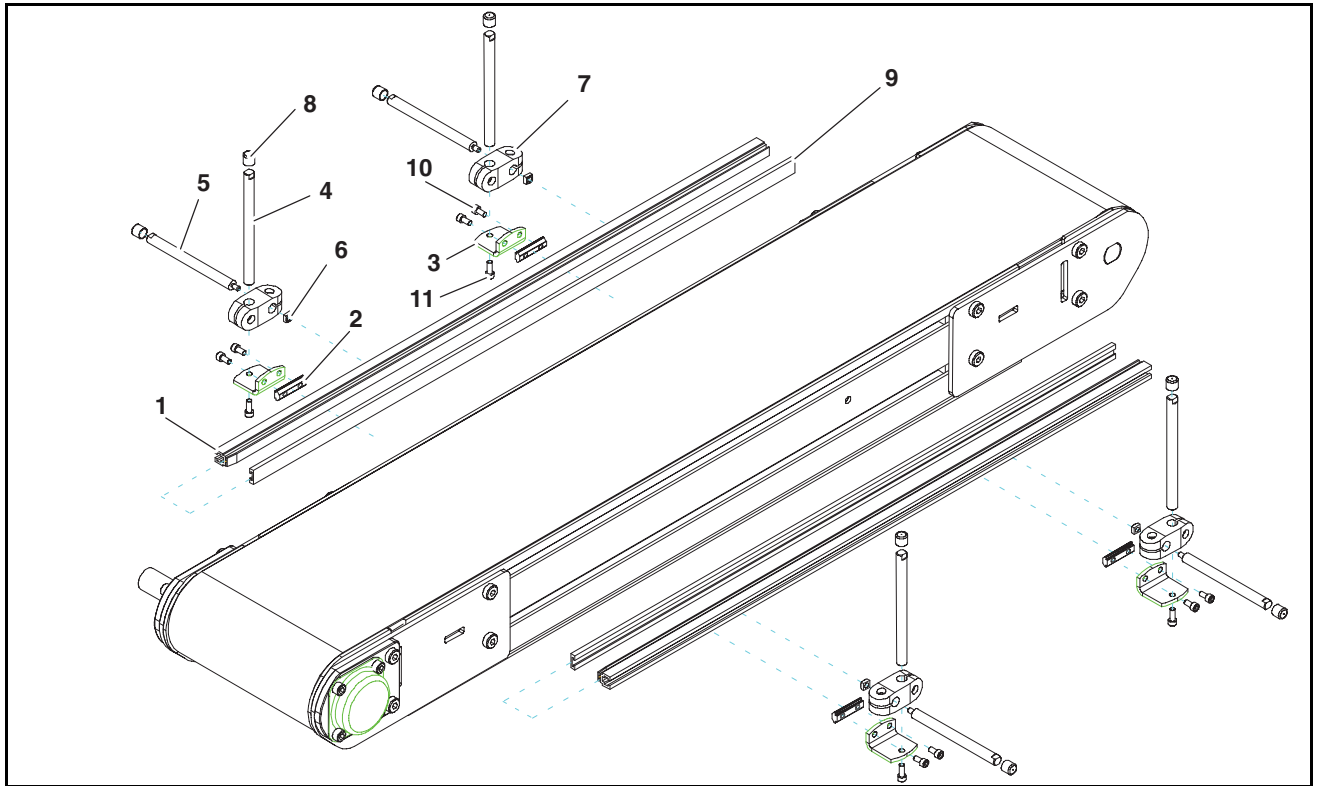
For TT options see "Guide Options" section on page 31

Declining Belt Travel

Section L3 Length – LLLL	I	II	III
0200	No Guiding Section	38TT17	38TT18
0201 – 0399	$38TT00 - LLLLL LLLLL = (LLLL \times 6) + 00038$	$38TT17 - LLLLL LLLLL = (LLLL \times 6) + 00038$	$38TT18 - LLLLL LLLLL = (LLLL \times 6) + 00038$
0400 and up	$38TT00 - LLLLL LLLLL = (LLLL \times 12) - 02400$	38TT17	38TT18

For TT options see "Guide Options" section on page 31

-13 Adjustable Guiding

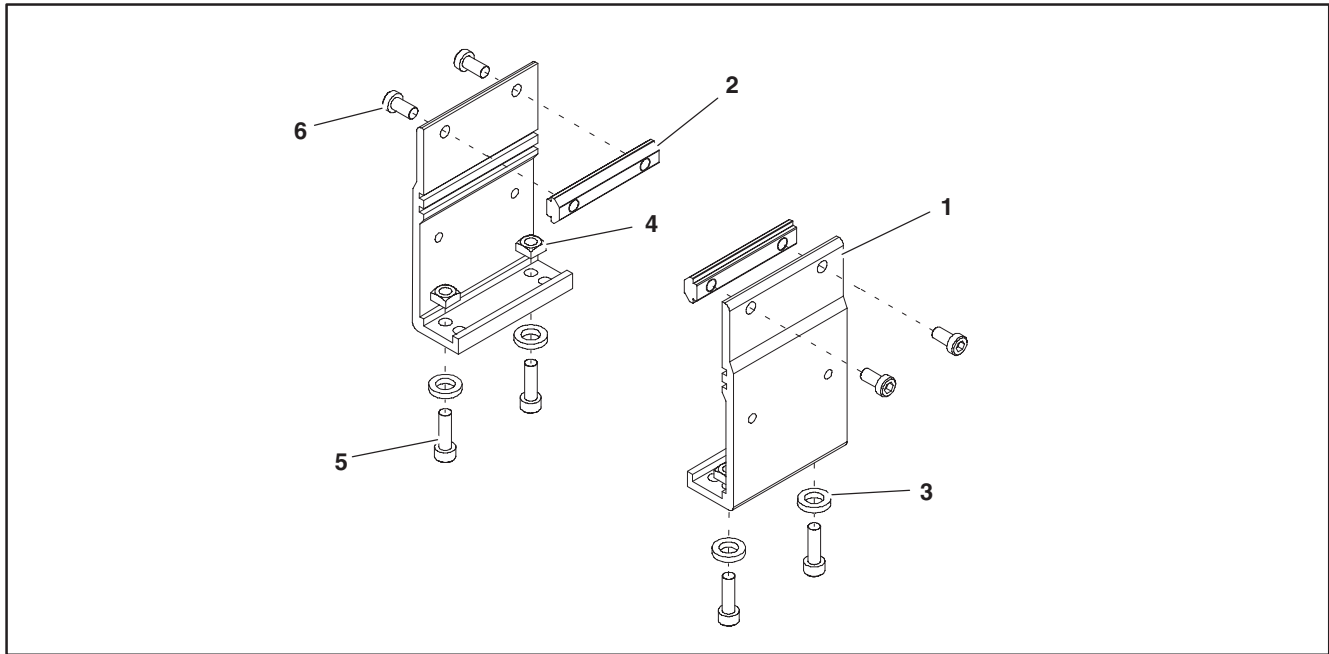


Item	Part Number(s)	Description
1	202983	Aluminum Profile Guide 2' (610mm)
	202984	Aluminum Profile Guide 3' (914mm)
	202985	Aluminum Profile Guide 4' (1219mm)
	202986	Aluminum Profile Guide 5' (1524mm)
	202987	Aluminum Profile Guide 6' (1829mm)
	202988	Aluminum Profile Guide 7' (2134mm)
	202989	Aluminum Profile Guide 8' (2438mm)
	202990	Aluminum Profile Guide 9' (2743mm)
	202991	Aluminum Profile Guide 10' (3048mm)
	202992	Aluminum Profile Guide 11' (3353mm)
	202993	Aluminum Profile Guide 12' (3658mm)
	202994	Aluminum Profile Guide 13' (3962mm)

Item	Part Number(s)	Description
2	200830M	Drop-In Tee Bar
3	202004	Mounting Bracket
4	202027M	Guide Mounting Shaft Vertical
5	202028M	Guide Mounting Shaft Horizontal
6	674175MP	Square Nut
7	807-652	Cross Block
8	807-948	Vinyl Shaft Cap
9	614068P	Flat Extruded Guide (per foot)
10	920612M	Socket Head Screw M6 x 12mm
11	920616M	Socket Head Screw M6 x 16mm

Service Parts

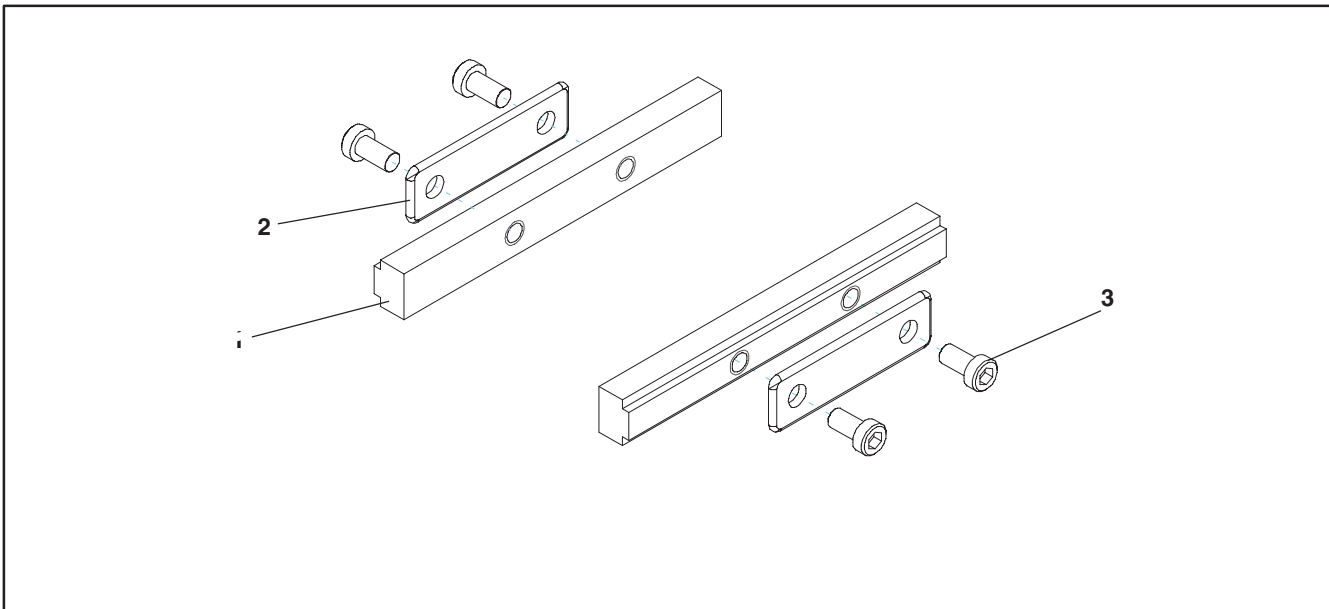
Flat Belt Mounting Brackets



Item	Part Number	Description
1	240831	Stand Mount
2	300150M	Drop-In Tee Bar
3	605279P	Washer

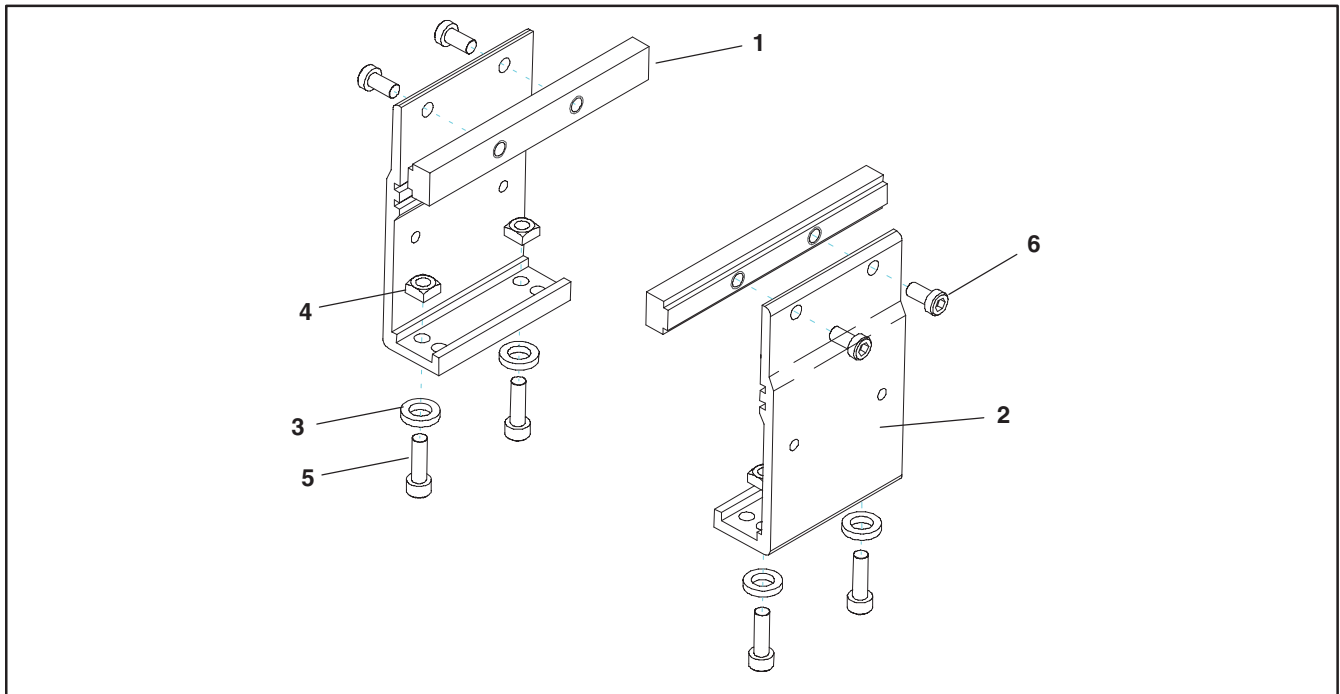
Item	Part Number	Description
4	807-920	Square Nut M6 5mm x 10mm
5	920620M	Socket Head Screw M6 x 20mm
6	920692M	Socket Head Screw M6 x 12mm

Connecting Assembly without Stand Mount



Item	Part Number	Description
1	240858	Frame Bar Connector
2	240859	Intermediate Clamp Plate
3	920692M	Socket Head Screw M6 x 12mm

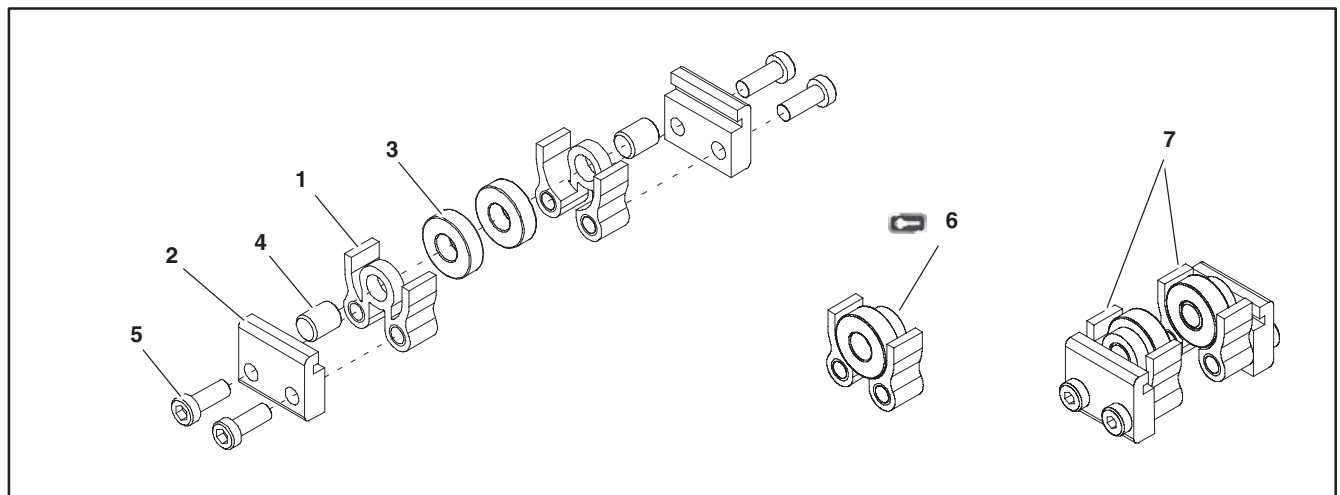
Flat Belt Connecting Assembly with Stand Mount



Item	Part Number	Description
1	240858	Frame Connector Bar
2	240837	Stand Mount Joint
3	605279P	Washer

Item	Part Number	Description
4	807-920	Square Nut M6 5mm x 10mm
5	920620M	Socket Head Screw M6 x 20mm
6	920692M	Socket Head Screw M6 x 12mm

4" (102mm) to 6" (152mm) Flat Belt Return Roller



Item	Part Number	Description
1	240825	Return Roller Guard – Short
2	240827	Return Roller Clip
3	802-027	Bearing
4	913-100	Dowel Pin

Item	Part Number	Description
5	920693M	Socket Low Head Screw M6 x 16mm
6	240840	Roller Assembly (Includes Items 1, 3 and 4)
7	240830	4" (102mm) to 6" (152mm) Flat Belt Return Roller Assy

Service Parts

8" (203mm) to 48" (1219mm) Flat Belt Return Roller

Return Roller Bearing Quantity Chart (Item 1)	
Width	Bearing Quantity
8" (203mm) – 12" (305mm)	3
14" (356mm) – 18" (457mm)	4
20" (508mm) – 24" (610mm)	5
26" (660mm) – 28" (711mm)	6
30" (762mm) – 34" (864mm)	7
36" (914mm) – 40" (1016mm)	8
42" (1067mm) – 46" (1168mm)	9
48" (1219mm)	10

Item	Part Number	Description
1	240826	Return Roller Bearing
2	240827	Return Roller Clip
3	2409WW	Return Roller Guard
4	2410WW	Return Roller Rod

Item	Part Number	Description
5	920693M	Socket Head Screw M6 x 16mm
6	2408WW	8" (203mm) – 48" (1219mm) Flat Belt Return Roller Assembly
WW = Conveyor width reference: 08 – 48 in 02 increments		

Conveyor Belt Part Number Configuration

Flat Belt Conveyor Model Number **3 T – WW LLLL / SBV***

DORNER® PATENTS 5131529 5156261 5203447 5875883
5156260 5174435 5265714
AND CORRESPONDING PATENTS AND PATENT APPLICATIONS IN OTHER COUNTRIES

SERIAL # _____ MODEL # _____

DORNER MFG. CORP.
HARTLAND, WI USA

Figure 80

Flat Belt Part Number Configuration

Refer to Dorner patent plate (Figure 80). From the model number, determine tail type ("T"), width ("WW"), length ("LLLL"), splice type ("S") and belt type ("B"). Use data to configure belt part number as indicated below. *Add "V" for V-guided belts.

3 T – WW LLLL / SBV*

_____ (Fill In) / _____ V*

Return Policy

Returns must have prior written factory authorization or they will not be accepted. Items that are returned to Dorner without authorization will not be credited nor returned to the original sender. When calling for authorization, please have the following information ready for the Dorner factory representative or your local distributor:

1. Name and address of customer.
2. Dorner part number(s) of item(s) being returned.
3. Reason for return.
4. Customer's original order number used when ordering the item(s).
5. Dorner or distributor invoice number.

A representative will discuss action to be taken on the returned items and provide a Returned Goods Authorization number for reference.

There will be a return charge on all new undamaged items returned for credit where Dorner was not at fault. Dorner is not responsible for return freight on such items.

Conveyors and conveyor accessories	
Standard catalog conveyors	30%
MPB Series, cleated and specialty belt conveyors	50%
7400 & 7600 Series conveyors	non-returnable items
Engineered special products	case by case
Drives and accessories	30%
Sanitary stand supports	non-returnable items

Parts	
Standard stock parts	30%
MPB, cleated and specialty belts	non-returnable items

Returns will not be accepted after 60 days from original invoice date.

The return charge covers inspection, cleaning, disassembly, disposal and reissuing of components to inventory.

If a replacement is needed prior to evaluation of returned item, a purchase order must be issued. Credit (if any) is issued only after return and evaluation is complete.

Dorner has representatives throughout the world. Contact Dorner for the name of your local representative. Our Technical Sales, Catalog Sales and Service Teams will gladly help with your questions on Dorner products.

For a copy of Dorner's Warranty, contact factory, distributor, service center or visit our website at www.dorner.com.

For replacement parts, contact an authorized Dorner Service Center or the factory.



Dorner Mfg. Corp. reserves the right to change or discontinue products without notice. All products and services are covered in accordance with our standard warranty. All rights reserved. © Dorner Mfg. Corp. 2006

DORNER MFG. CORP.

975 Cottonwood Ave., PO Box 20
Hartland, WI 53029-0020 USA
USA
TEL 1-800-397-8664 (USA)
FAX 1-800-369-2440 (USA)
Internet: www.dorner.com

Outside the USA:
TEL 1-262-367-7600
FAX 1-262-367-5827