



3200, 5200 & 5300 Series Top Mount 90° Drive Package for Standard Load Gearmotors

Installation, Maintenance & Parts Manual



Featuring: **eDrive™** Technology

DORNER MFG. CORP.
P.O. Box 20 • 975 Cottonwood Ave.
Hartland, WI 53029-0020 USA

INSIDE THE USA
TEL: 1-800-397-8664
FAX: 1-800-369-2440

OUTSIDE THE USA
TEL: 262-367-7600
FAX: 262-367-5827

For other service manuals visit our website at:
www.dorner.com/service_manuals.asp

Table of Contents

Introduction	2	Installation.....	8
Warnings - General Safety	3	Required Tools	8
Product Description	4	Mounting	8
Specifications	5	Preventive Maintenance and Adjustment	11
Gearmotor Mounting Package Models:.....	5	Required Tools	11
Table 1: Gearmotor Specifications	5	Timing Belt Tensioning.....	11
U.S. Version	5	Timing Belt Replacement.....	11
CE Version	5	Drive or Driven Pulley Replacement	12
Table 2: Belt Speeds for Fixed Speed 90° Gearmotors ...	6	Gear Reducer Replacement	12
U.S. Version (60 Hz Gearmotors).....	6	Motor Replacement	14
CE Version (50 Hz Gearmotors).....	6	Service Parts.....	16
Table 3: Belt Speeds for		Top Mount Drive Package for	
Variable Speed 90° DC Gearmotors.....	7	90° Industrial Gearmotors	16
U.S. Version	7	90° Industrial Gearmotors	18
CE Version	7	U.S. Version.....	18
Table 4: Belt Speeds for		CE Version.....	19
Fixed Speed 90° VFD Gearmotors	7	Return Policy.....	20

Introduction

IMPORTANT

<i>Some illustrations may show guards removed. DO NOT operate equipment without guards.</i>

Upon receipt of shipment:

- Compare shipment with packing slip. Contact factory regarding discrepancies.
- Inspect packages for shipping damage. Contact carrier regarding damage.
- Accessories may be shipped loose. See accessory instructions for installation.


Dorner 3200 Series conveyors are covered by patent numbers 5156260, 5156261, 5203447, 5265714 and patent applications in other countries.

Dorner 3200 Series conveyors are covered by patent numbers 5156260, 5156261, 5203447, 5265714, 6871737, 6910571, 6971509, and patent applications in other countries.

Dorner LPZ Series conveyors are covered by patent numbers 5156260, 5156261, 5203447, 5265714, 5875883 and patent applications in other countries.

Dorner 5200 Series conveyors have patents pending.

Dorner reserves the right to make changes at any time without notice or obligation.

Dorner has convenient, pre-configured kits of Key Service Parts for all conveyor products. These time saving kits are easy to order, designed for fast installation, and guarantee you will have what you need when you need it. Key Parts and Kits are marked in the Service Parts section of this manual with the Performance Parts Kits  logo.

Warnings - General Safety

⚠ WARNING

The safety alert symbol, black triangle with white exclamation, is used to alert you to potential personal injury hazards.

⚠ DANGER



Climbing, sitting, walking or riding on conveyor will cause severe injury.
KEEP OFF CONVEYORS.

⚠ DANGER



DO NOT OPERATE CONVEYORS IN AN EXPLOSIVE ENVIRONMENT.

⚠ WARNING



Exposed moving parts can cause severe injury.
LOCK OUT POWER before removing guards or performing maintenance.

⚠ WARNING



Gearmotors may be **HOT**.
DO NOT TOUCH Gearmotors.

⚠ WARNING



Exposed moving parts can cause severe injury.
REPLACE ALL GUARDS BEFORE RUNNING CONVEYOR.

⚠ WARNING



Dorner cannot control the physical installation and application of conveyors. Taking protective measures is the responsibility of the user.
When conveyors are used in conjunction with other equipment or as part of a multiple conveyor system, **CHECK FOR POTENTIAL PINCH POINTS** and other mechanical hazards before system start-up.

Product Description

Refer to **(Figure 1)** for typical components.

- | | |
|---|-----------------------|
| 1 | Gearmotor |
| 2 | Drive Pulley |
| 3 | Timing Belt |
| 4 | Driven Pulley |
| 5 | Mounting Bracket |
| 6 | Timing Belt Tensioner |
| 7 | Conveyor |
| 8 | Cover |

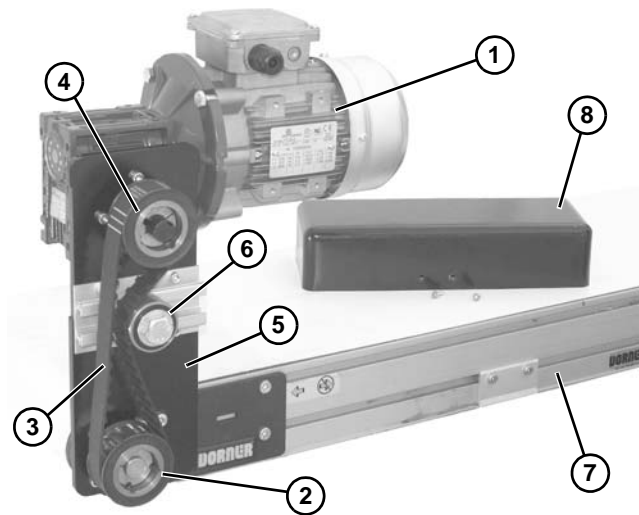


Figure 1

NOTE

The 90° industrial gearhead changed configuration in 2011. See below for configuration details.



Mount Packages with Old Style Gearmotors prior to June 2011

Figure 2



Mount Packages with e-Drive Gearmotors

Figure 3

Gearmotor Mounting Package Models:

Example:

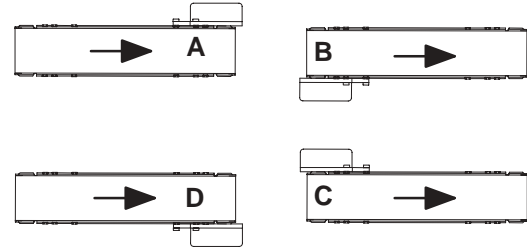
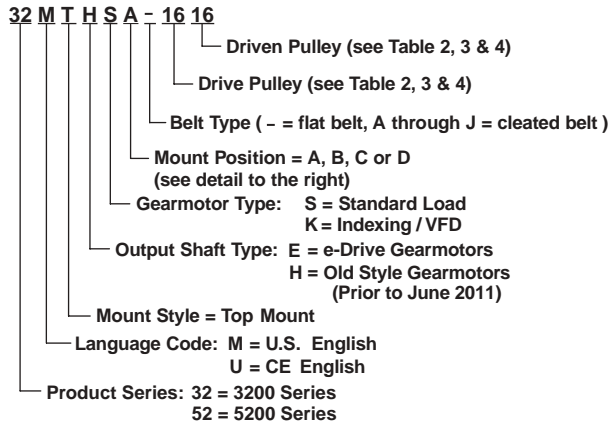


Table 1: Gearmotor Specifications

U.S. Version

Item	Standard Load Gearmotor			
	Single-Phase	Three Phase	VFD Variable Speed	DC Variable Speed
Output Power	0.5 hp (0.37 kw)			
Input Voltage	115VA C	208 – 230/ 460 VAC	230 VAC	90VDC
Input Frequency	60Hz		10 – 60Hz	N/A
Input Current (Amperes)	7.4	2.1 – 2/1	1.6	5.0
Gearmotor Ratios	5:1, 10:1, 20:1			
Frame Size	NEMA 56C			
Motor Type	Totally enclosed, Fan cooled			

CE Version

Item	Standard Load Gearmotor		
	Single Phase	Three Phase	VFD Variable Speed
Output Power	0.37 kW		
Input Voltage	230 VAC	230/400 VAC	230 VAC
Input Frequency	50 Hz		25 to 63 Hz
Input Current	2.6 Amperes	2.1/1.2 Amperes	2.1 Amperes
Gearmotor Ratios	5:1, 10:1, 20:1		
Protection Rating	IP55		
Frame Size	IEC 71 B5		

Specifications

Table 2: Belt Speeds for Fixed Speed 90° Gearmotors

U.S. Version (60 Hz Gearmotors)

Light Load Gearmotors				Standard Load Gearmotors				Belt Speed		Drive Pulley	Driven Pulley
Part Number	RPM	In-lb	N-m	Part Number	RPM	In-lb	N-m	Ft/min	M/min		
32M060EL4(vp)FN	29	319	36	32M060ES4(vp)FN	29	319	36	23	7.0	16	16
32M040EL4(vp)FN	43	238	26.9	32M040ES4(vp)FN	43	378	42.7	34	10.4	16	16
32M040EL4(vp)FN	43	238	26.9	32M040ES4(vp)FN	43	378	42.7	52	15.8	24	16
32M020EL4(vp)FN	86	142	16	32M020ES4(vp)FN	86	285	32.2	69	21.0	16	16
32M020EL4(vp)FN	86	142	16	32M020ES4(vp)FN	86	285	32.2	103	31.4	24	16
32M010EL4(vp)FN	173	78	8.7	32M010ES4(vp)FN	173	153	17.3	137	41.8	16	16
32M010EL4(vp)FN	173	78	8.7	32M010ES4(vp)FN	173	153	17.3	172	52.4	20	16
32M010EL4(vp)FN	173	78	8.7	32M010ES4(vp)FN	173	153	17.3	206	62.8	24	16
N/A	N/A	N/A	N/A	32M005ES4(vp)FN	345	80	9	275	83.8	16	16
N/A	N/A	N/A	N/A	32M005ES4(vp)FN	345	80	9	343	104.5	20	16
N/A	N/A	N/A	N/A	32M005ES4(vp)FN	345	80	9	412	125.6	24	16

(vp) = voltage and phase

23 = 208 – 230/460 V, 3-phase

11 = 115 V, 1-phase

CE Version (50 Hz Gearmotors)

Light Load Gearmotors			Standard Load Gearmotors			Belt Speed M/min
Part Number	RPM	N-m 1-phase/3-phase	Part Number	RPM	N-m 1-phase/3-phase	
62Z060ES4(vp)FN	23	36/36	32Z060ES4(vp)FN	23	36/36	5.8
62Z040ES4(vp)FN	35	26.9/35.5	32Z040ES4(vp)FN	35	26.9/35.5	8.5
62Z020ES4(vp)FN	70	16/21.2	32Z020ES4(vp)FN	70	32.2/32.2	17.1
62Z010ES4(vp)FN	140	11.4/17.3	32Z010ES4(vp)FN	140	17.3/17.3	33.8
62Z005ES4(vp)FN	280	4.5/5.9	32Z005ES4(vp)FN	280	17.3/17.3	68.0

(vp) = voltage and phase

21 = 230 V, 1-phase

23 = 230 V, 3-phase

43 = 400 V, 3-phase

Specifications

Table 3: Belt Speeds for Variable Speed 90° DC Gearmotors

U.S. Version (60 Hz Gearmotors)

Light Load Gearmotors				Standard Load Gearmotors				Belt Speed		Drive Pulley	Driven Pulley
Part Number	RPM	In-lb	N-m	Part Number	RPM	In-lb	N-m	Ft/min	M/min		
32M060ELD3DEN	42	198	22.4	32M060ESD9DEN	42	198	22.4	4.0 – 33	1.2 – 10	16	+9-
32M040ELD3DEN	63	163	18.4	32M040ESD9DEN	63	215	24.3	6.0 – 50	1.8 – 15	16	16
32M040ELD3DEN	63	163	18.4	32M040ESD9DEN	63	215	24.3	9.0 – 75	2.7 – 23	24	16
32M020ELD3DEN	125	98	11.1	32M020ESD9DEN	125	196	22.1	12 – 100	3.6 – 30	16	16
32M020ELD3DEN	125	98	11.1	32M020ESD9DEN	125	196	22.1	18 – 150	5.5 – 45	24	16
32M010ELD3DEN	250	54	6.1	32M010ESD9DEN	250	108	12.2	24 – 200	7.3 – 61	16	16
32M010ELD3DEN	250	54	6.1	32M010ESD9DEN	250	108	12.2	30 – 250	9.1 – 76	20	16
32M010ELD3DEN	250	54	6.1	32M010ESD9DEN	250	108	12.2	36 – 300	11 – 92	24	16

CE Version (50 Hz Gearmotors)

Light Load Gearmotors			Standard Load Gearmotors			Belt Speed M/min
Part Number	RPM	N-m	Part Number	RPM	N-m	
62Z060ES423EN	23	36	32Z060ES423EN	23	36	2.8 - 7.1
62Z040ES423EN	35	35.5	32Z040ES423EN	35	35.5	4.2 - 11
62Z020ES423EN	70	21.2	32Z020ES423EN	70	32.2	8.5 - 21
62Z010ES423EN	140	17.3	32Z010ES423EN	140	17.3	17 - 43
62Z005ES423EN	280	5.9	32Z005ES423EN	280	17.3	34 - 86

Table 4: Belt Speeds for Fixed Speed 90° VFD Gearmotors

Standard Load Gearmotors				Belt Speed		Drive Pulley	Driven Pulley
Part Number	RPM	In-lb	N-m	Ft/min	M/min		
32M060ES423EN	29	319	36	2.3 – 22.9	0.7 – 7.0	16	16
32M040ES423EN	43	378	42.7	3.4 – 34.3	1.0 – 10.5	16	16
32M040ES423EN	43	378	42.7	5.1 – 51.5	1.6 – 15.7	24	16
32M020ES423EN	86	285	32.2	6.9 – 68.6	2.1 – 20.9	16	16
32M020ES423EN	86	285	32.2	10.3 – 103.0	3.1 – 31.4	24	16
32M010ES423EN	173	153	17.3	13.7 – 137.3	4.2 – 41.9	16	16
32M010ES423EN	173	153	17.3	17.2 – 171.6	5.2 – 52.3	20	16
32M010ES423EN	173	153	17.3	20.6 – 205.9	6.3 – 62.8	24	16
32M005ES423EN	345	80	9	27.5 – 274.6	8.4 – 83.7	16	16
32M005ES423EN	345	80	9	34.3 – 343.2	10.5 – 104.6	20	16
32M005ES423EN	345	80	9	41.2 – 411.9	12.6 – 125.6	24	16

NOTE
<i>For belt speed other than those listed, contact factory for details.</i>

Installation

Required Tools

- Hex key wrenches:
2 mm, 2.5 mm, 3 mm, 5 mm
- Straight edge
- Torque wrench

Mounting

⚠ WARNING



Exposed moving parts can cause severe injury.
LOCK OUT POWER before removing guards or performing maintenance.

Installation Component List:

- | | |
|---|----------------------------|
| 1 | Bottom Mount Assembly |
| 2 | Drive Pulley |
| 3 | Cover |
| 4 | M4 Socket Head Screws (4x) |
| 5 | Driven Pulley |
| 6 | Output Shaft |
| 7 | Bearing Cover |
| 8 | Spacer |
| 9 | Timing Belt |

1. Typical components (**Figure 4**)

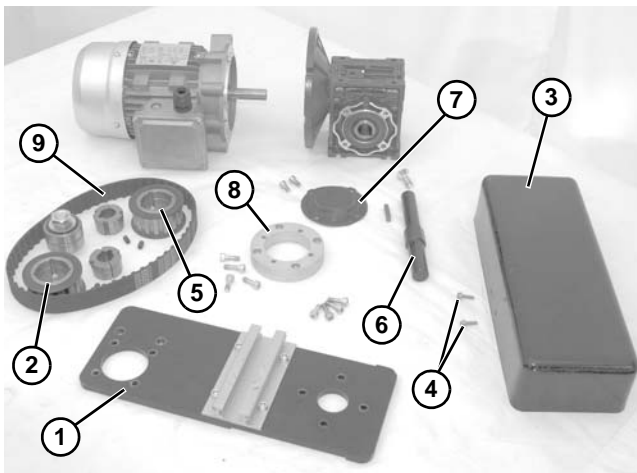


Figure 4

NOTE

Gearmotor may be operated in positions 1, 2 or 3 (**Figure 5**).

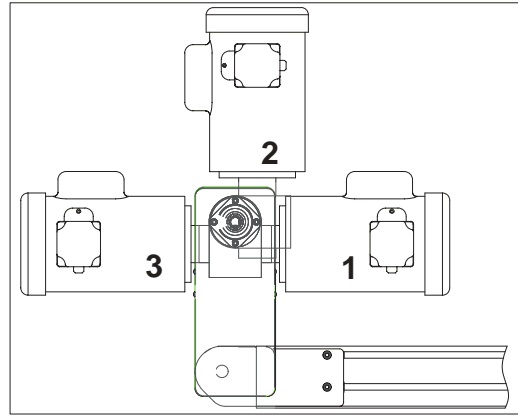


Figure 5

2. If required, change gearmotor position by removing four (4) screws (**Figure 6, item 1**). Rotate gearmotor to other position and replace screws. Tighten to 110 in-lb (12 Nm).

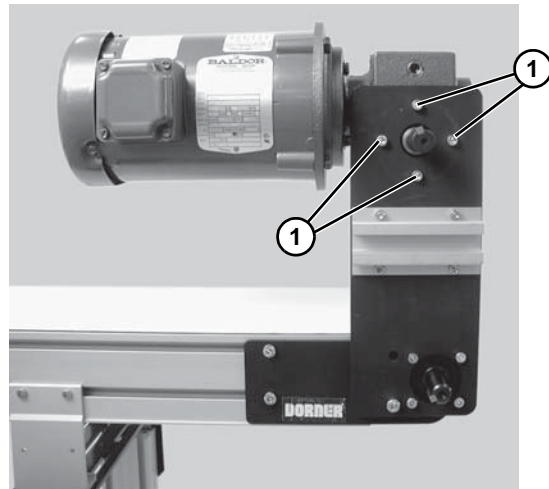


Figure 6

3. Locate drive output shaft (**Figure 7, item 1**). Remove two (2) M8 screws (**Figure 7, item 2**) and four (4) M6 screws (**Figure 7, item 3**) and discard.

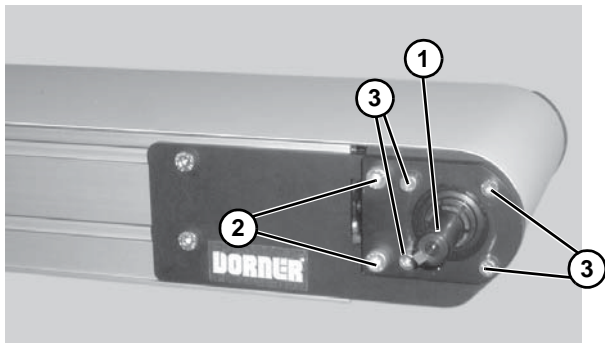


Figure 7

4. Apply anti-seize to motor shaft before assembling to gearbox. Attach mount assembly (**Figure 8, item 1**) with two (2) M8 screws (**Figure 8, item 2**) and four (4) M6 screws (**Figure 8, item 3**). Tighten M6 screws to 146 in-lbs (16.5 N-m) and M8 screws to 288 in-lbs (32.5 N-m).

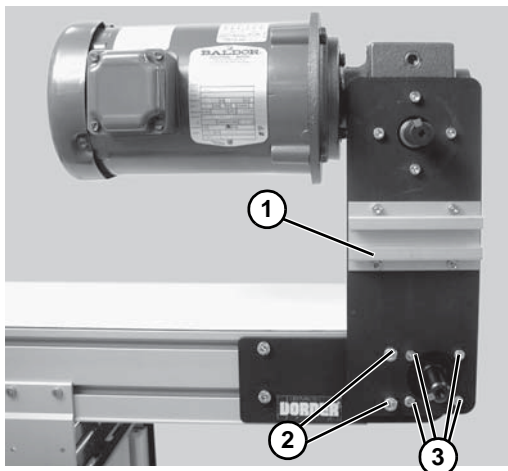


Figure 8

5. Install key (**Figure 9, item 1**).

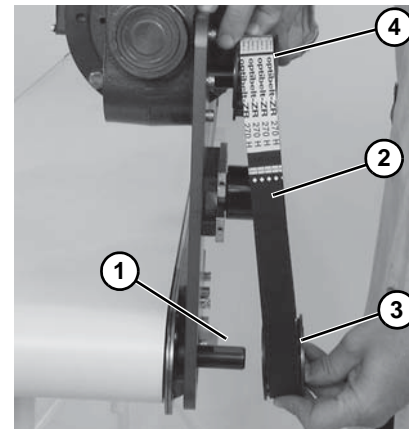


Figure 9

6. Wrap timing belt (**Figure 9, item 2**) around driven pulley (**Figure 9, item 3**) and drive pulley (**Figure 9, item 4**). Install driven pulley onto conveyor shaft.
7. Using a straight edge (**Figure 10, item 1**), align driven pulley (**Figure 10, item 2**) with drive pulley (**Figure 10, item 3**).

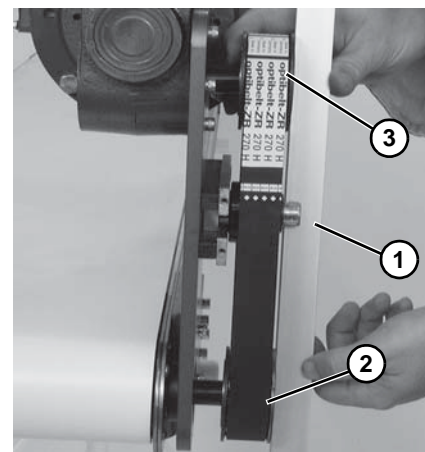


Figure 10

⚠ WARNING
<p>Drive shaft keyway may be sharp. HANDLE WITH CARE.</p>

Installation

8. Tighten driven pulley taper-lock screws (**Figure 11, item 1**).

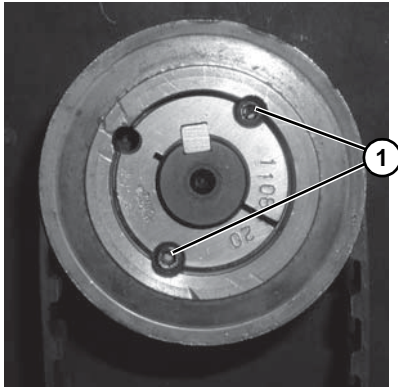


Figure 11

9. Depending on conveyor belt travel (direction A or B), locate timing belt tensioner (**Figure 12, item 1**) as shown. Tension timing belt to obtain 1/8" (3 mm) deflection for 6 lb (3 Kg) of force at timing belt midpoint (**Figure 12, item 2**). Tighten tensioner screw to 110 in-lb (12 Nm).

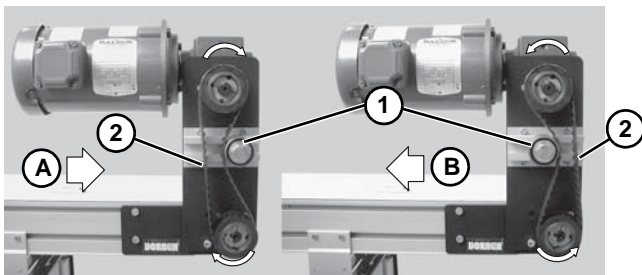


Figure 12

10. Install cover (**Figure 13, item 1**) with four (4) screws (**Figure 13, item 2**). Tighten screws to 35 in-lb (4 Nm).

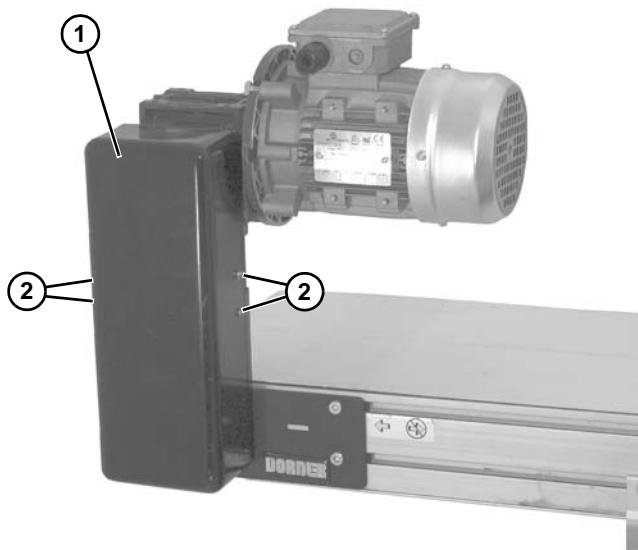



Figure 13

Preventive Maintenance and Adjustment

Required Tools

- Hex key wrenches: 2 mm, 2.5 mm, 3 mm, 5 mm
- Adjustable wrench (for hexagon head screws)
- Straight edge
- Torque wrench

Timing Belt Tensioning

⚠ WARNING

Exposed moving parts can cause severe injury. LOCK OUT POWER before removing guards or performing maintenance.

1. Remove four (4) screws (**Figure 13, item 2**) and remove cover (**Figure 13, item 1**).
2. Loosen tensioner (**Figure 14, item 1**).

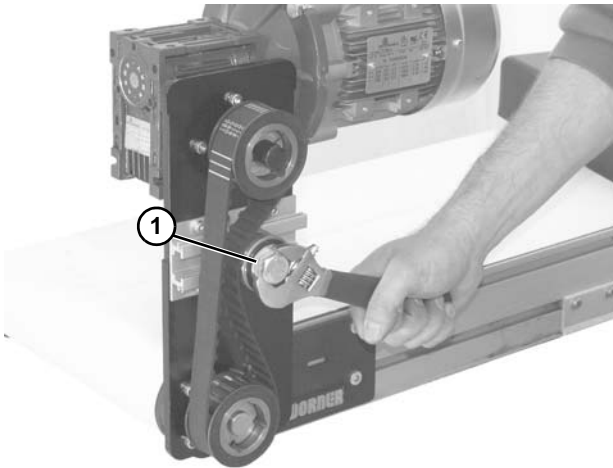



Figure 14

3. Depending on conveyor belt travel (direction A or B), locate timing belt tensioner (**Figure 12, item 1**) as shown. Tension timing belt to obtain 1/8" (3 mm) deflection for 6 lb (3 Kg) of force at timing belt midpoint (**Figure 12, item 2**). Tighten tensioner screw to 110 in-lb (12 Nm).
4. Install cover (**Figure 13, item 1**) with four (4) screws (**Figure 13, item 2**). Tighten screws to 35 in-lb (4 Nm).

Timing Belt Replacement

⚠ WARNING

Exposed moving parts can cause severe injury. LOCK OUT POWER before removing guards or performing maintenance.

1. Remove four (4) screws (**Figure 13, item 2**) and remove cover (**Figure 13, item 1**).
2. Loosen tensioner (**Figure 14, item 1**).
3. Remove timing belt (**Figure 15, item 1**).

NOTE
<i>If timing belt does not slide over pulley flange, loosen driven pulley taper-lock screws (Figure 15, item 2) and remove pulley with belt (Figure 15, item 1). For re-installation, see steps 6 through 8 on page 9.</i>

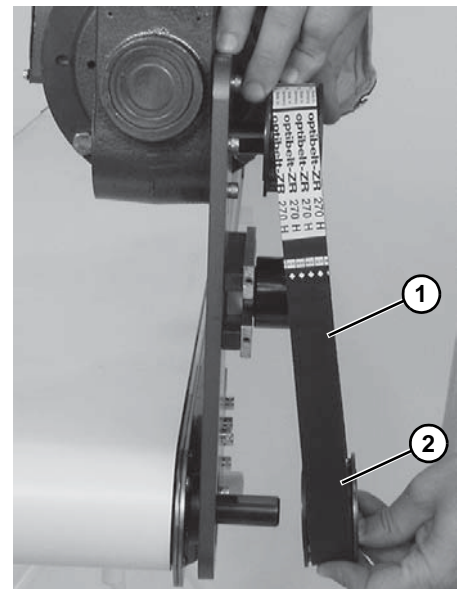


Figure 15

4. Install new timing belt.
5. Depending on conveyor belt travel (direction A or B), locate timing belt tensioner (**Figure 12, item 1**) as shown. Tension timing belt to obtain 1/8" (3 mm) deflection for 6 lb (3 Kg) of force at timing belt midpoint (**Figure 12, item 2**). Tighten tensioner screw to 110 in-lb (12 Nm).
6. Install cover (**Figure 13, item 1**) with four (4) screws (**Figure 13, item 2**). Tighten screws to 35 in-lb (4 Nm).

Preventive Maintenance and Adjustment

Drive or Driven Pulley Replacement

⚠ WARNING



Exposed moving parts can cause severe injury.

LOCK OUT POWER before removing guards or performing maintenance.

1. Complete steps 1 through 3 of “Timing Belt Replacement” section on page 11.
2. Remove taper-lock screws (**Figure 16, item 1**). Insert one (1) of taper lock screws in remaining hole (**Figure 16, item 2**). Tighten screw until pulley is loose. Remove pulley and taper hub assembly.

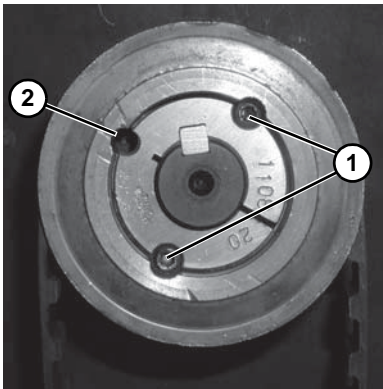


Figure 16

NOTE

*If drive pulley (**Figure 18, item 1**) is replaced, wrap timing belt around drive pulley and complete step 3.*

3. Complete steps 6 through 10 of “Installation” section starting on page 9.

Gear Reducer Replacement

⚠ WARNING



Exposed moving parts can cause severe injury.

LOCK OUT POWER before removing guards or performing maintenance.

1. Remove four (4) screws (**Figure 13, item 2**) and remove cover (**Figure 13, item 1**).
2. Loosen tensioner (**Figure 14, item 1**).
3. Loosen taper-lock screws (**Figure 17, item 1**) and remove drive pulley: Insert one (1) of taper lock screws in remaining hole (**Figure 17, item 2**). Tighten screw until pulley is loose.

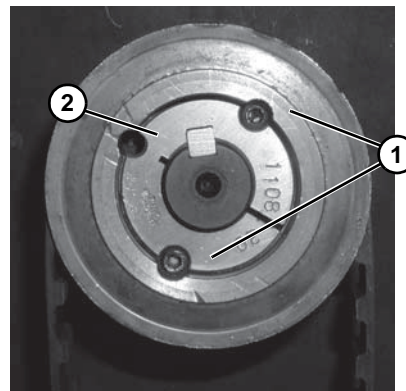


Figure 17

4. Remove drive pulley (**Figure 18, item 1**), taper hub assembly (**Figure 18, item 2**), and timing belt (**Figure 18, item 3**).

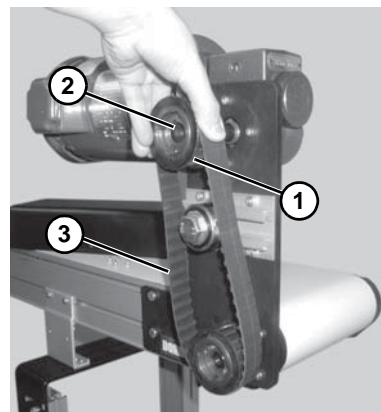


Figure 18

Preventive Maintenance and Adjustment

- Remove four (4) gear reducer mounting screws (**Figure 19, item 1**). Remove gearmotor.

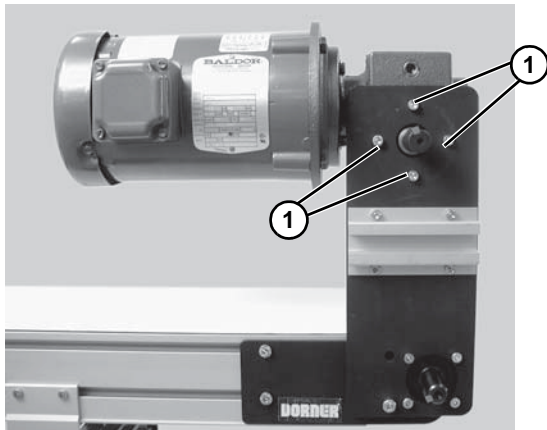


Figure 19

- Remove four screws (**Figure 20, item 1**). Detach motor (**Figure 20, item 2**) from gear reducer (**Figure 20, item 3**). Retain shaft key (**Figure 20, item 4**).

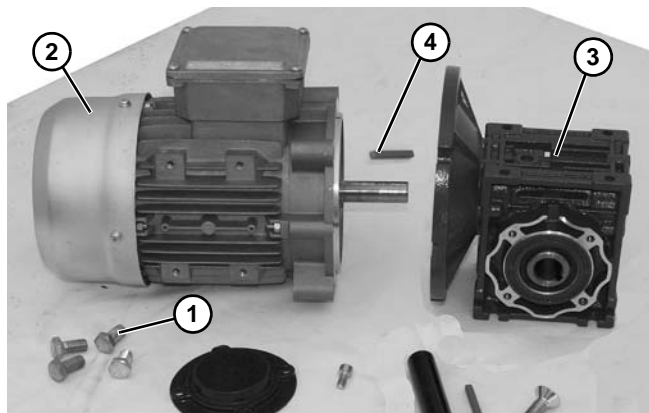


Figure 20

- Remove two (2) screws (**Figure 21, item 1**) and detach output shaft cover (**Figure 21, item 2**).

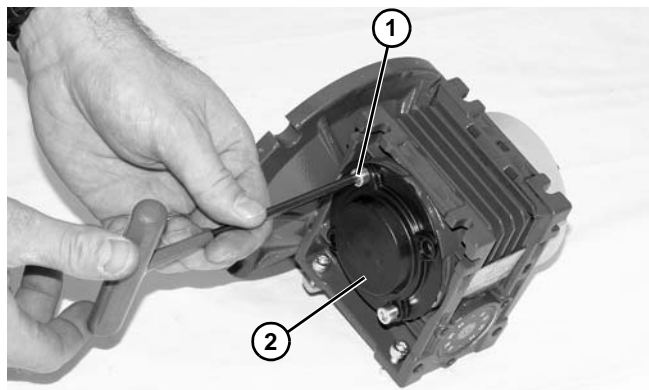


Figure 21

- Hold the driveshaft with a wrench (**Figure 22, item 1**) as shown to keep shaft from turning, while removing screw (**Figure 22, item 2**) with hex wrench (**Figure 22, item 3**).

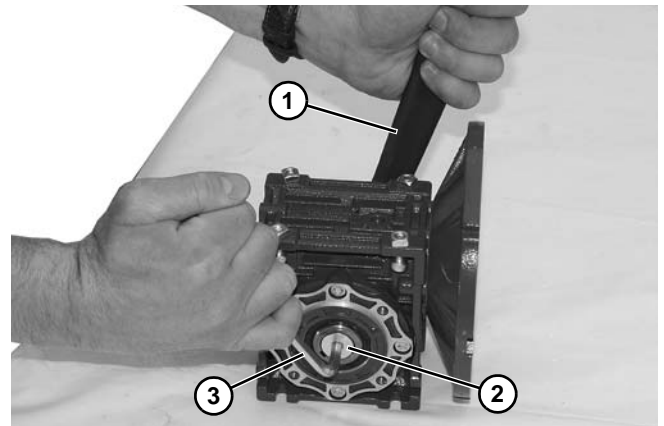


Figure 22

NOTE

Output shaft (**Figure 22, item 1**) is held in Gear Reducer with a tapered press fit. Removal may require use of an arbor press.

- Remove driveshaft (**Figure 23, item 1**) and key (**Figure 23, item 2**).

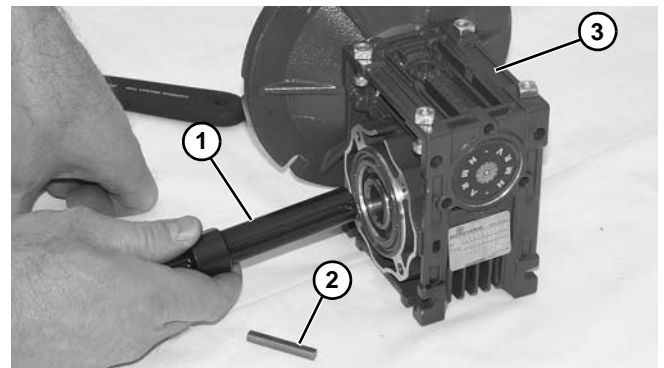


Figure 23

- Replace gear reducer (**Figure 23, item 3**).
- Apply anti-seize (**Figure 24, item 1**) to shaft.



Figure 24

Preventive Maintenance and Adjustment

12. Replace the original shaft components into new gear reducer (Figure 23).

IMPORTANT

Be extremely careful when coupling motor to gear reducer. Avoid misalignment and forcing the connection causing possible permanent gear reducer seal damage.

13. Apply anti-seize to motor shaft before assembling to gearbox. With key (Figure 20, item 4) in keyway, slide motor (Figure 20, item 2) and gear reducer (Figure 20, item 3) together. Install screws (Figure 20, item 1) and tighten.
14. Hold the driveshaft with a wrench (Figure 22, item 1) as shown to keep shaft from turning, while installing screw (Figure 22, item 2) with hex wrench (Figure 22, item 3). Tighten screw to 350 in-lb (39.5 Nm).
15. Install garmotor to mounting bracket and tighten screws (Figure 19, item 1) to 110 in-lb (12 Nm).

NOTE

Drive pulley (Figure 18, item 1) is removed. Wrap timing belt around drive pulley and complete step 15.

16. Complete steps 6 through 10 of “Installation” section starting on page 9.

Motor Replacement

⚠ WARNING



Exposed moving parts can cause severe injury.
LOCK OUT POWER before removing guards or performing maintenance.

⚠ DANGER



Hazardous voltage will cause severe injury or death.
LOCK OUT POWER BEFORE WIRING.

1. For single phase motor, unplug power cord from outlet.
2. For three phase and VFD variable speed motor:
 - a. Loosen terminal box screws (Figure 25, item 1) and remove cover (Figure 25, item 2).

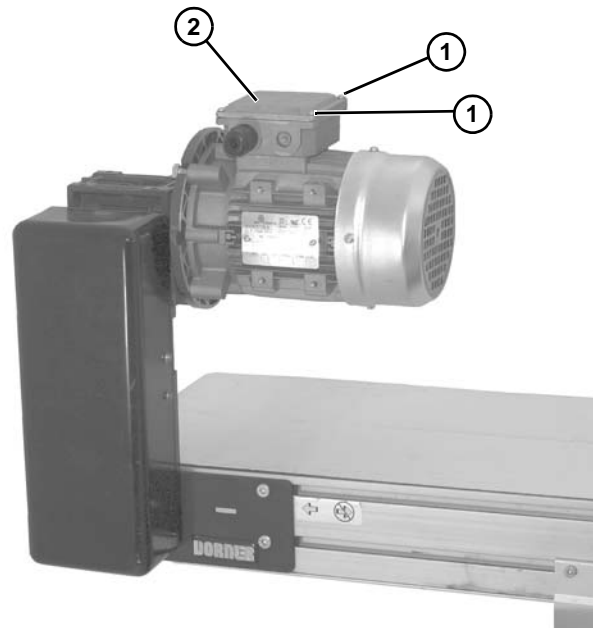


Figure 25

- b. Record wire colors on terminals 1, 2 and 3. Loosen wire nuts and remove wires 1, 2 and 3.
- c. Loosen cord grip and remove cord.

Preventive Maintenance and Adjustment

3. For DC variable speed motor, unplug motor cord at disconnect (**Figure 26, item 1**).

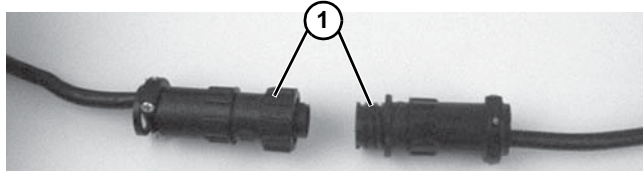


Figure 26

4. Remove four (4) screws (**Figure 27, item 1**). Detach motor (**Figure 27, item 2**) from gear reducer (**Figure 27, item 3**). Retain motor output shaft key (**Figure 27, item 4**).

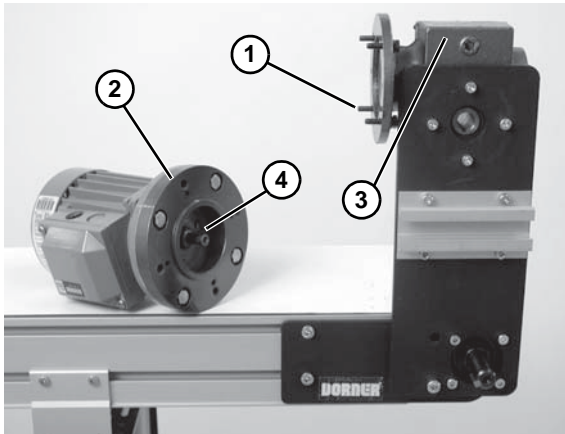


Figure 27

5. Apply anti-seize to motor shaft before assembling to gearbox. With key (**Figure 28, item 1**) in keyway, slide motor (**Figure 28, item 2**) and gear reducer together. Install screws (**Figure 28, item 3**) and tighten.

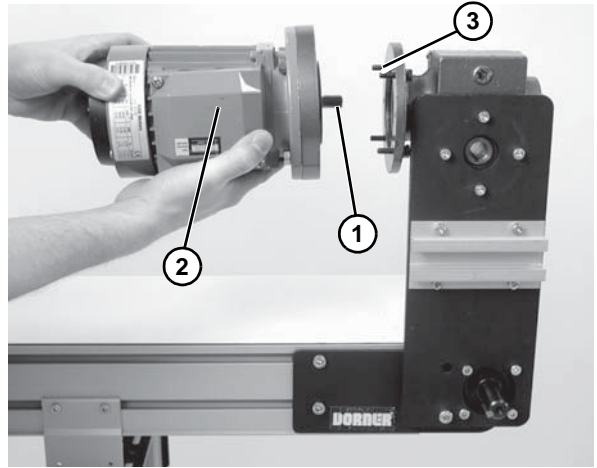


Figure 28


6. Replace wiring:
 - For a single phase motor, reverse step 1 on page 14.
 - For a three phase or VFD variable speed motor, reverse step 2 on page 14.
 - For a DC variable speed motor, reverse step 3 on page 15.

IMPORTANT

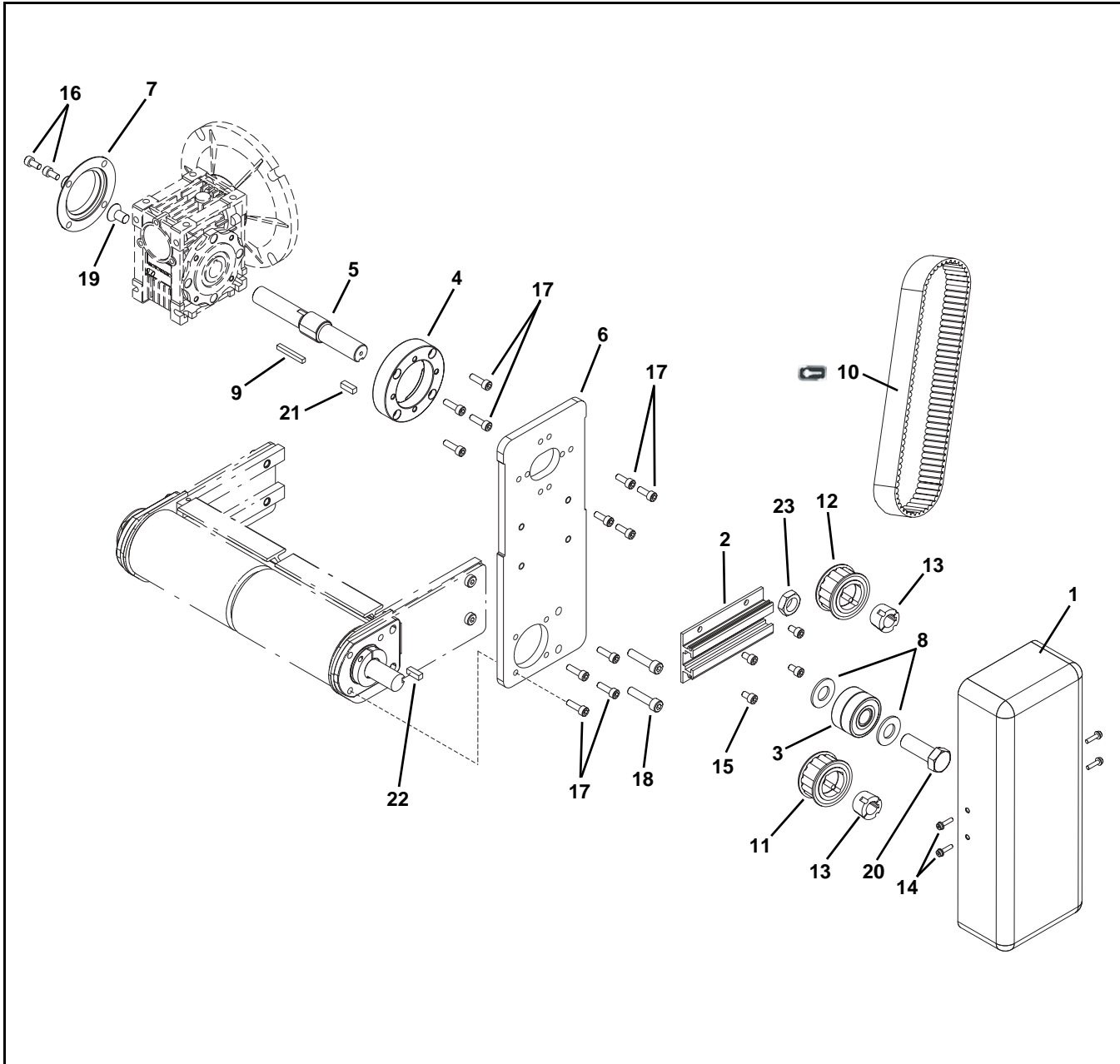
Be extremely careful when coupling motor to gear reducer. Avoid misalignment and forcing the connection causing possible permanent gear reducer seal damage.

Service Parts

NOTE

For replacement parts other than those shown in this section, contact an authorized *Dorner Service Center* or the factory. Key Service Parts and Kits are identified by the Performance Parts Kits logo . Dorner recommends keeping these parts on hand.

Top Mount Drive Package for 90° Industrial Gearmotors

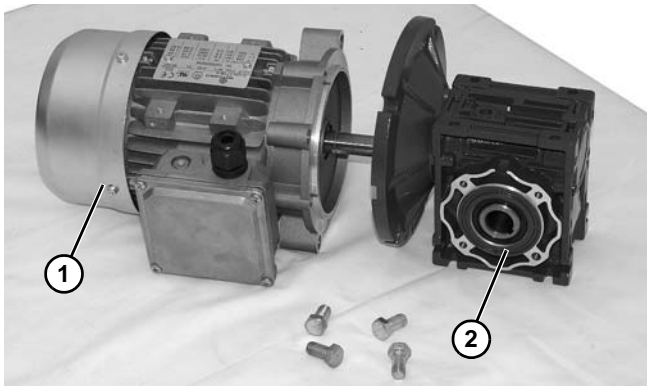


Item	Part Number	Description
1	300871	Drive Cover
2	301076	Drive Tensioner Slide
3	301153	Tensioner Bearing Assembly
4	350115	Adapter Ring
5	350117	Drive Shaft (for E-Drive 56 C Face Gearmotors)
	350133	Drive Shaft (for E-Drive IEC 63B5 and IEC 71B5 Gearmotors)
6	350123	Mounting Plate
7	807-2016	Drive-Bearing Shaft Cover
8	911-013	Flat Washer
9	912-084	Square Key, 0.188" x 1.50" (for E-Drive 56 C Face Gearmotors)
	980636M	Square Key, 6 mm x 36 mm (for E-Drive IEC 63B5 and IEC 71B5 Gearmotors)
10	814-125	Timing Belt, 1.0" W x 25.5" L
	814-059	Timing Belt, 1.0" W x 27.0" L
	814-060	Timing Belt, 1.0" W x 28.0" L
	814-079	Timing Belt, 1.0" W x 30.0" L
11	811-133	Driven Pulley, 14 Tooth, Taper Lock TL1108
	811-126	Driven Pulley, 16 Tooth, Taper Lock TL1108
12	811-133	Drive Pulley, 14 Tooth, Taper Lock TL1108
	811-126	Drive Pulley, 16 Tooth, Taper Lock TL1108
	811-127	Drive Pulley, 18 Tooth, Taper Lock TL1210
	811-135	Drive Pulley, 20 Tooth, Taper Lock TL1210
	811-136	Drive Pulley, 22 Tooth, Taper Lock TL1610
	811-137	Drive Pulley, 24 Tooth, Taper Lock TL1610
13	811-288	Taper Lock Bushing, 20 mm, TL1108
	811-289	Taper Lock Bushing, 20 mm, TL1210
	811-290	Taper Lock Bushing, 20 mm, TL1610
14	920483M	Flanged Socket Head Screw, M4 x 16 mm
15	920608M	Socket Head Screw, M6-1.00 x 8 mm
16	920612M	Socket Head Screw, M6-1.00 x 12 mm
17	920620M	Socket Head Screw, M6-1.00 x 20 mm
18	920835M	Socket Head Screw, M8-1.25 x 35 mm
19	931018M	Flat Screw, M10 - .50 x 18 mm
20	961645M	Hex Head Cap Screw, M16 - 2.00 x 45 mm
21	980018M	Square Key, 6 mm x 18 mm
22	980632M	Square Key, 6 mm x 32 mm
23	991610M	Hex Nut

Service Parts

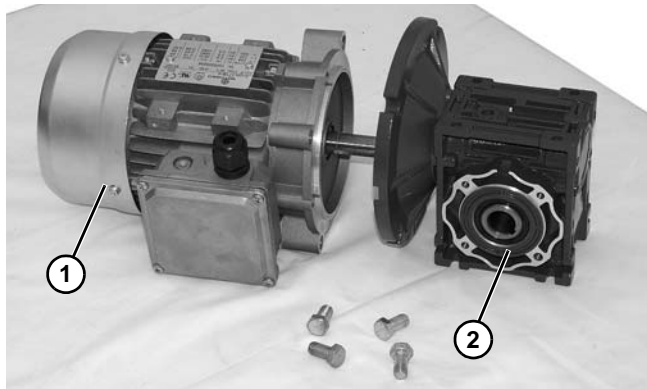
90° Industrial Gearmotors

U.S. Version



Item	Part No.	Description
1	62MES411FN	Motor, 0.25hp (0.19Kw), 115/230 Volts, 60 Hz, 1-Phase
	62MES423FN	Motor, 0.25hp (0.19Kw), 208-230/460 Volts, 60 Hz, 3-Phase
	22MSD3DEN	Motor, 0.25hp (0.19Kw), 130 VDC
	62MEH411FN	Motor, 0.5hp (0.37Kw), 115/230 Volts, 60Hz, 1-Phase
	32MEH423FN	Motor, 0.5hp (0.37Kw) 208-230/460 Volts, 60Hz, 3 Phase
	62MHD9DEN	Motor, 0.5hp (0.37Kw), 90 VDC
	32MES423EN	Motor, 0.5hp (0.37Kw), 230 Volts, 3 Phase Inverter Duty
	32MHD9DEN	Motor, 0.75 hp, (0.56Kw), 90 VDC
2	32M005EL	Gear Reducer, 5:1, NEMA 42CZ
	32M010EL	Gear Reducer, 10:1, NEMA 42CZ
	32M020EL	Gear Reducer, 20:1, NEMA 42CZ
	32M040EL	Gear Reducer, 40:1, NEMA 42CZ
	32M060EL	Gear Reducer, 60:1, NEMA 42CZ
	32M005ES	Gear Reducer, 5:1, NEMA 56C
	32M010ES	Gear Reducer, 10:1, NEMA 56C
	32M020ES	Gear Reducer, 20:1, NEMA 56C
	32M040ES	Gear Reducer, 40:1, NEMA 56C
	32M060ES	Gear Reducer, 60:1, NEMA 56C
	32M010EH	Gear Reducer, 10:1, NEMA 140 TC

CE Version



Item	Part No.	Description
1	826-281	Motor, 0.19 kW 230 Volts, 1400 RPM 50 Hz, 1-Phase
	826-282	Motor, 0.37 kW 230 Volts, 1400 RPM 50 Hz, 1-Phase
	826-284	Motor, 0.19 kW 230/400 Volts, 1400 RPM 50 Hz, 3-Phase
	826-285	Motor, 0.37 kW 230/400 Volts, 1400 RPM 50 Hz, 3-Phase
2	62Z005ES	Gear Reducer, 5:1, 63 B5
	62Z010ES	Gear Reducer, 10:1, 63 B5
	62Z020ES	Gear Reducer, 20:1, 63 B5
	62Z040ES	Gear Reducer, 40:1, 63 B5
	62Z060ES	Gear Reducer, 60:1, 63 B5
	32Z005ES	Gear Reducer, 5:1, 71 B5
	32Z010ES	Gear Reducer, 10:1, 71 B5
	32Z020ES	Gear Reducer, 20:1, 71 B5

Return Policy

Returns must have prior written factory authorization or they will not be accepted. Items that are returned to Dorner without authorization will not be credited nor returned to the original sender. When calling for authorization, please have the following information ready for the Dorner factory representative or your local distributor:

1. Name and address of customer.
2. Dorner part number(s) of item(s) being returned.
3. Reason for return.
4. Customer's original order number used when ordering the item(s).
5. Dorner or distributor invoice number (if available, part serial number).

A representative will discuss action to be taken on the returned items and provide a Returned Goods Authorization (RMA) number for reference. RMA will automatically close 30 days after being issued. To get credit, items must be new and undamaged. There will be a return charge on all items returned for credit, where Dorner was not at fault. It is the customer's responsibility to prevent damage during return shipping. Damaged or modified items will not be accepted. The customer is responsible for return freight.


Product Type									
Standard Products									Engineered to order parts
Product Line	Conveyors	Gearmotors & Mounting Packages	Support Stands	Accessories	Spare Parts (non-belt)	Spare Belts - Standard Flat Fabric	Spare Belts - Cleated & Specialty Fabric	Spare Belts - Plastic Chain	All equipment and parts
1100	30% return fee for all products except: 50% return fee for conveyors with modular belt, cleated belt or specialty belts						non-returnable		case-by-case
2200									
2200 Modular Belt									
2200 Precision Move									
2300									
2300 Modular Belt									
3200									
3200 LPZ									
3200 Precision Move									
4100									
5200									
5300									
6200									
Controls									
7200 / 7300	50% return fee for all products								
7350	non-returnable								
7360									
7400									
7600									

Returns will not be accepted after 60 days from original invoice date. The return charge covers inspection, cleaning, disassembly, disposal and reissuing of components to inventory. If a replacement is needed prior to evaluation of returned item, a purchase order must be issued. Credit (if any) is issued only after return and evaluation is complete.

Dorner has representatives throughout the world. Contact Dorner for the name of your local representative. Our Customer Service Team will gladly help with your questions on Dorner products.

For a copy of Dorner's Warranty, contact factory, distributor, service center or visit our website at www.dorner.com.

For replacement parts, contact an authorized Dorner Service Center or the factory.

 <p>Dorner Mfg. Corp. reserves the right to change or discontinue products without notice. All products and services are covered in accordance with our standard warranty. All rights reserved. © Dorner Mfg. Corp. 2011</p>	<p>DORNER MFG. CORP. 975 Cottonwood Ave., PO Box 20 Hartland, WI 53029-0020 USA TEL 1-800-397-8664 (USA) FAX 1-800-369-2440 (USA) Internet: www.dorner.com</p>	<p>Outside the USA: TEL 1-262-367-7600 FAX 1-262-367-5827</p>
---	--	---