



# Fixed and Adjustable Height Stands

## Installation, Maintenance & Parts Manual



DORNER MFG. CORP.  
P.O. Box 20 • 975 Cottonwood Ave.  
Hartland, WI 53029-0020 USA

INSIDE THE USA  
TEL: 1-800-397-8664  
FAX: 1-800-369-2440

OUTSIDE THE USA  
TEL: 262-367-7600  
FAX: 262-367-5827

For other service manuals visit our website at:  
[www.dorner.com/service\\_manuals.asp](http://www.dorner.com/service_manuals.asp)

# Table of Contents

Introduction .....	2	Preventive Maintenance and Adjustment .....	10
Warnings - General Safety .....	3	Stand Height Adjustment .....	10
Product Description .....	4	Height Adjustment for Fixed and	
Specifications .....	4	Adjustable Height Stands.....	10
Fixed and Adjustable Stand Models .....	4	Required Tools .....	10
Installation .....	5	Height Adjustment for Fixed and Adjustable	
Recommended Installation Sequence .....	5	Height Stands with Fine Adjustment Kit.....	10
Assembly .....	5	Required Tools .....	10
Stands Shipped Partially Assembled.....	5	Conveyor Angle Adjustment .....	11
Required Tools.....	5	Required Tools .....	11
Stands Shipped Fully Assembled.....	7	Service Parts.....	12
Required Tools.....	7	Fixed Height Stand w/Feet or Casters .....	12
Optional Fine Adjustment Kit.....	8	Adjustable Height Stand w/Feet or Casters.....	13
Required Tools.....	8	Tall Stand with Feet or Casters .....	14
Optional Caster Kit.....	9	Optional Fine Adjustment Kit .....	15
Required Tools.....	9	Return Policy.....	16

## Introduction

### IMPORTANT

*Some illustrations may show guards removed. DO NOT operate equipment without guards.*

Upon receipt of shipment:

- Compare shipment with packing slip. Contact factory regarding discrepancies.

- Inspect packages for shipping damage. Contact carrier regarding damage.
- Accessories may be shipped loose. See accessory instructions for installation.

Dorner's Limited Warranty applies.

Dorner reserves the right to make changes at any time without notice or obligation.

# Warnings - General Safety

## WARNING

The safety alert symbol, black triangle with white exclamation, is used to alert you to potential personal injury hazards.

## DANGER



Climbing, sitting, walking or riding on conveyor will cause severe injury.  
**KEEP OFF CONVEYORS.**

## DANGER



**DO NOT OPERATE CONVEYORS IN AN EXPLOSIVE ENVIRONMENT.**

## DANGER



Supports marked with this symbol must be anchored to the floor. Supports not anchored to floor will tip, causing severe injury or death.  
**SUPPORT MUST BE ANCHORED TO FLOOR.**

## WARNING



Exposed moving parts can cause severe injury.  
**LOCK OUT POWER** before removing guards or performing maintenance.

## WARNING



Loosening stand height or angle adjustment screws may cause conveyor sections to drop down, causing severe injury.

**SUPPORT CONVEYOR SECTIONS PRIOR TO LOOSENING STAND HEIGHT OR ANGLE ADJUSTMENT SCREWS.**

## WARNING



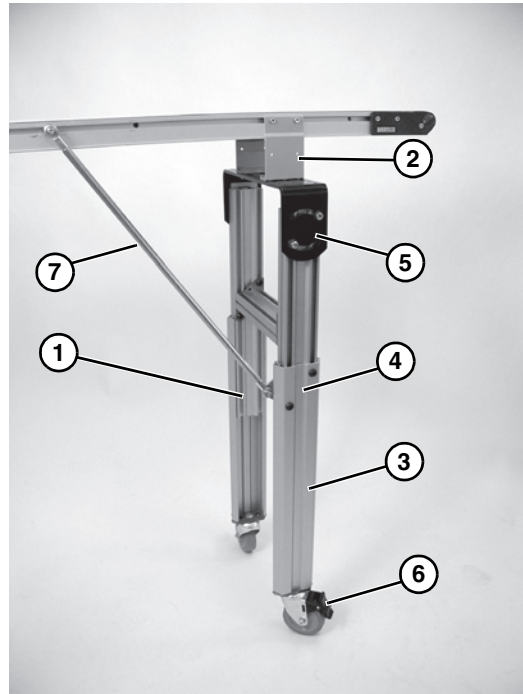
Dorner cannot control the physical installation and application of conveyors. Taking protective measures is the responsibility of the user.

When conveyors are used in conjunction with other equipment or as part of a multiple conveyor system, **CHECK FOR POTENTIAL PINCH POINTS** and other mechanical hazards before system start-up.

# Product Description

Refer to **Figure 1** for typical stand components.

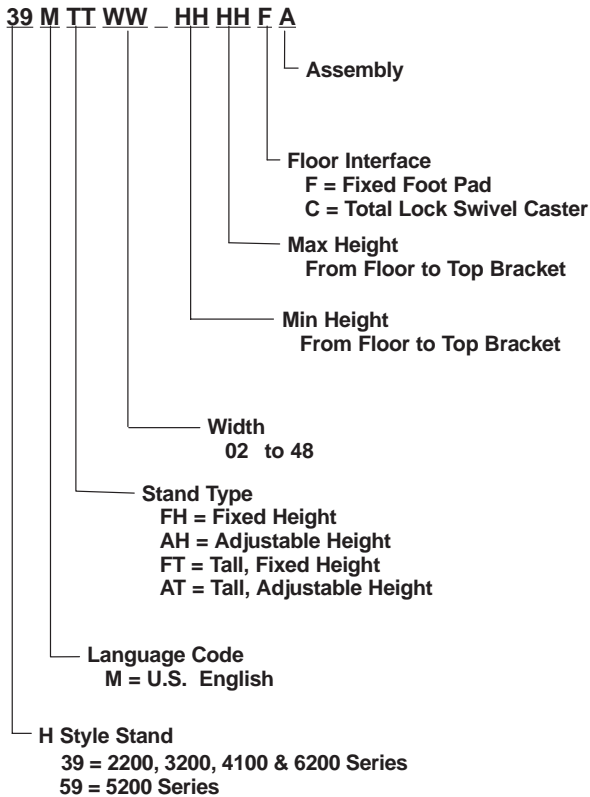
1	Support Stand
2	Stand Mounting Bracket (with conveyor)
3	Boot
4	Height Adjustment Point
5	Angle Adjustment Point
6	Optional Casters
7	Optional Diagonal Brace



**Figure 1**

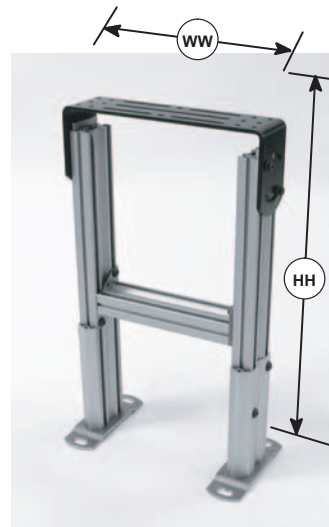
# Specifications

## Fixed and Adjustable Stand Models




Example: 39MFH12-3248FA

Fixed height, H style stand for a 12" wide conveyor with a min height of 32" and a max height of 48" with fixed foot pads. It comes assembled and has U.S. English documentation.




**⚠ DANGER**



**Supports marked with this symbol must be anchored to the floor. Supports not anchored to floor will tip, causing severe injury or death.**  
**SUPPORT MUST BE ANCHORED TO FLOOR.**

**⚠ WARNING**



**Exposed moving parts can cause severe injury.**  
**LOCK OUT POWER before removing guards or performing maintenance.**

## Recommended Installation Sequence (see Table of Contents for page numbers)

- Assemble stand(s), if required
- Attach stand(s) to conveyor (see Conveyor Installation, Maintenance & Parts Manual)
- Attach optional diagonal bracing (see Diagonal Brace Kit Manual)
- Adjust stand height and level (see Adjustment section, page 10)

## Assembly

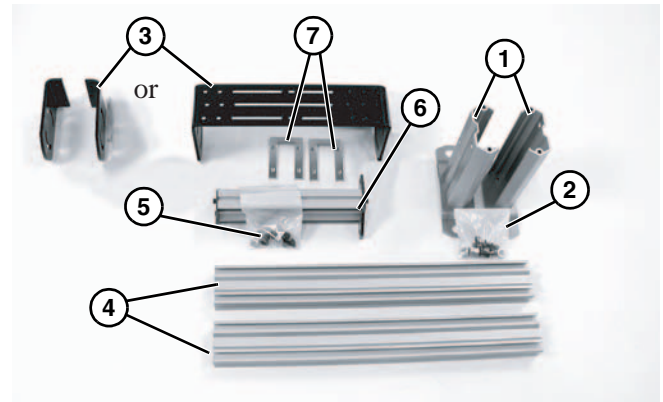
### Stands Shipped Partially Assembled

#### Required Tools

- 6 mm Hex Key Wrench

#### Typical Components (Figure 2):

1	Boots/Foot Plate Assembly (2x)
2	Hardware Pack, Standard Stand
3	Conveyor Mounting Bracket(s) (2 possible configurations)
4	Vertical Stand Legs (2x)
5	Hardware Pack, Crossmember (quantity as required)
6	Crossmembers (quantity as required)
7	U-nuts (2x)

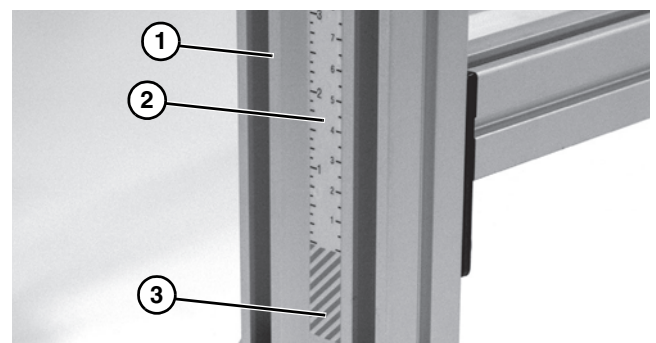


**Figure 2**

1. Open standard stand hardware pack (Figure 2, item 2).

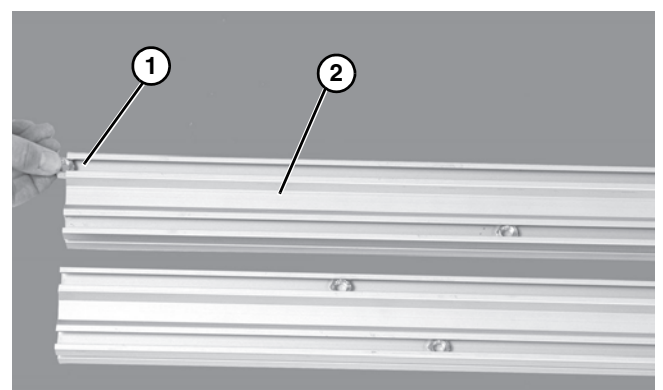
#### NOTE

Stand legs (Figure 3, item 1) are equipped with a height sticker (Figure 3, item 2). Assemble stand legs with the sticker on the outside and the red warning area (Figure 3, item 3) at the bottom of the legs.  
 Shown assembled. See steps 7 and 8 for boot assembly.



**Figure 3**

2. On the side opposite height sticker (Figure 3, item 2) install one (1) hex nut (Figure 4, item 1) into each inside stand leg (Figure 4, item 2) t-slot.



**Figure 4**

# Installation

- Attach crossmember (Figure 5, item 1) to stand leg (Figure 5, item 2) with button screws (Figure 5, item 3). Do not tighten.

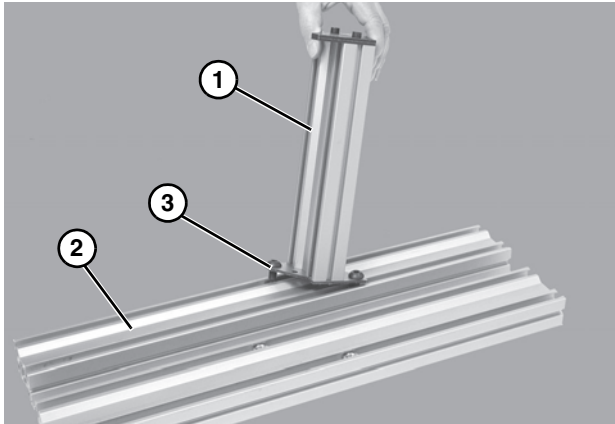


Figure 5

- Repeat step 4 for opposite stand leg. Make sure to locate the red warning area (Figure 3, item P) on the same ends of stand legs (Figure 5, item K).

<b>⚠ WARNING</b>
<p><b>Failure to secure screws (Figure 6, item 3) may cause conveyor sections to drop down causing severe injury.</b></p> <p><b>TIGHTEN SCREWS (Figure 6, item 3) AFTER ADJUSTMENT.</b></p>

- Upright stand and locate and space crossmember(s) (Figure 6, item 1) evenly along stand leg (Figure 6, item 2). Tighten crossmember button screws (Figure 6, item 3) to 150 in-lb (17 N-m).

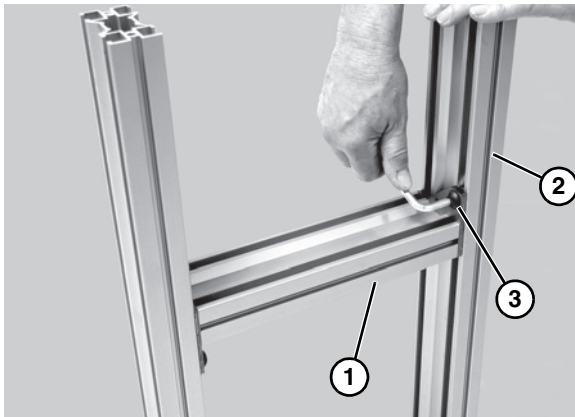


Figure 6

- On the end with red warning area (Figure 7, item 1) install one (1) hex nut (Figure 7, item 2) into each outside stand leg (Figure 7, item 3) t-slot.

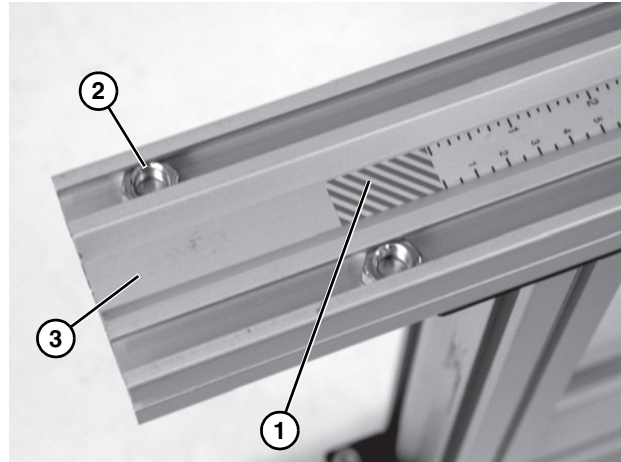


Figure 7

<b>⚠ WARNING</b>
<p><b>Failure to secure screws (Figure 8, item 4) may cause conveyor sections to drop down causing severe injury.</b></p> <p><b>TIGHTEN SCREWS (Figure 8, item 4) AFTER ADJUSTMENT.</b></p>

- Slide boot (Figure 8, item 1) onto stand leg (Figure 8, item 2). Align hex nuts (Figure 8, item 3) and boot holes and attach boot with button screws (Figure 8, item 4). Tighten button screws to 150 in-lb (17 N-m). Repeat for opposite leg.

<b>IMPORTANT</b>
<p><i>Red warning area (Figure 8, item 5) must be under boot (Figure 8, item 1) after assembly.</i></p>

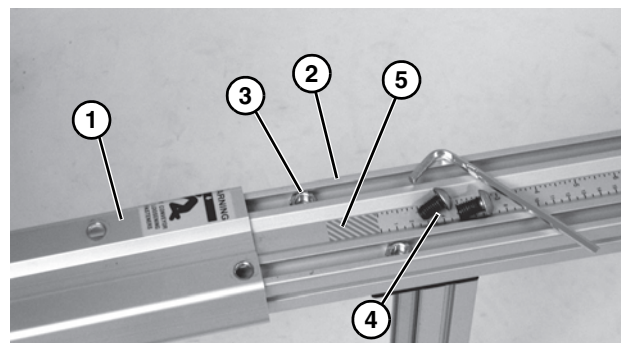


Figure 8

- Install u-nuts (Figure 9, item 1) into outer t-slots of stand legs (Figure 9, item 2).

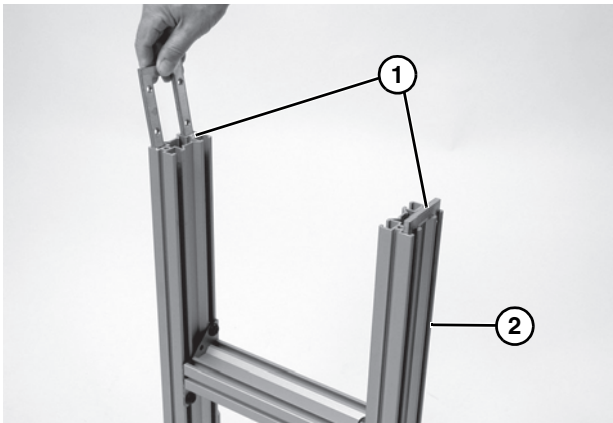


Figure 9

**⚠ WARNING**

**Failure to secure screws (Figure 10, item 2) may cause conveyor sections to drop down causing severe injury. TIGHTEN SCREWS (Figure 10, item 2) AFTER ADJUSTMENT.**

- Align conveyor mounting bracket (Figure 10, item 1) with u-nuts. Attach flange socket screws (Figure 10, item 2) through bracket and into u-nuts. Tighten flange socket screws (Figure 10, item 2) to 150 in-lb (17 N-m).



Figure 10

- For leveling and height adjustment see page 10.

## Stands Shipped Fully Assembled

### Required Tools

- 6 mm Hex Key Wrench

### Typical Components (Figure 11):

1	Stand Assembly
2	Boot Assembly (2x)

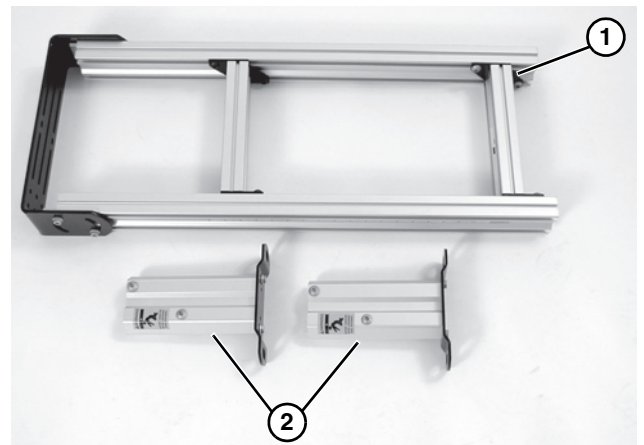


Figure 11

- Loosen (2) hex nuts (Figure 12, item 1) located on boot assembly (Figure 12, item 2).

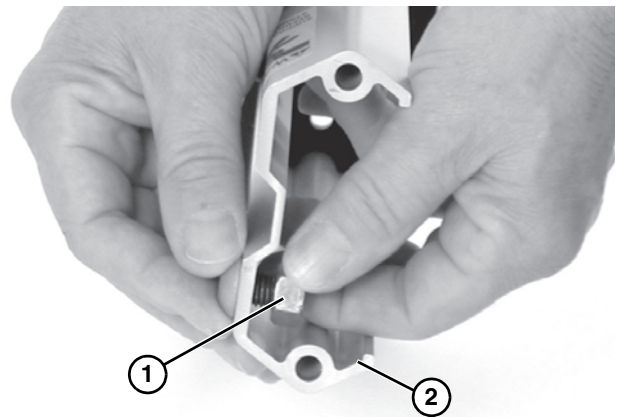


Figure 12

# Installation

## ⚠ WARNING



Failure to secure screws (Figure 13, item 4) may cause conveyor sections to drop down causing severe injury.

**TIGHTEN SCREWS (Figure 13, item 4) AFTER ADJUSTMENT.**

- Slide (2) hex nuts (Figure 13, item 1) along with boot assembly (Figure 13, item 2) into outer slots of stand assembly (Figure 13, item 3). Tighten button screw (Figure 13, item 4) to 150 in-lb (17 N-m).

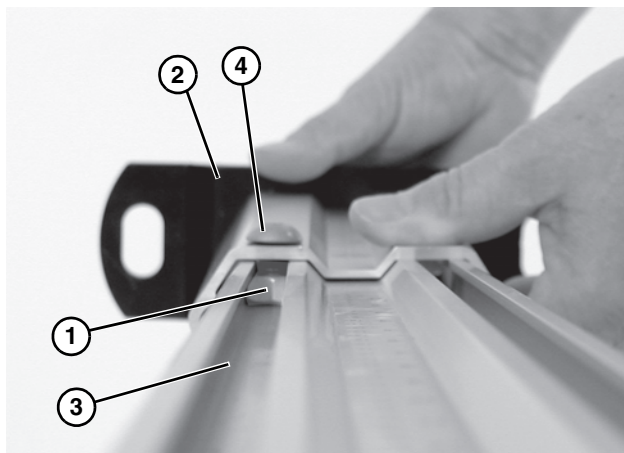


Figure 13

- Repeat steps 1 and 2 for opposite stand leg.

## Optional Fine Adjustment Kit

### Required Tools

- 6 mm Hex Key Wrench

### Typical Components (Figure 14):

- |   |                     |
|---|---------------------|
| 1 | Adjustment Kit (2x) |
|---|---------------------|

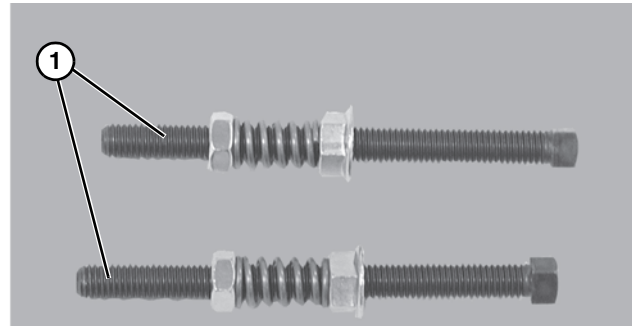


Figure 14

- Loosen stand boot screws (Figure 15, item 1).

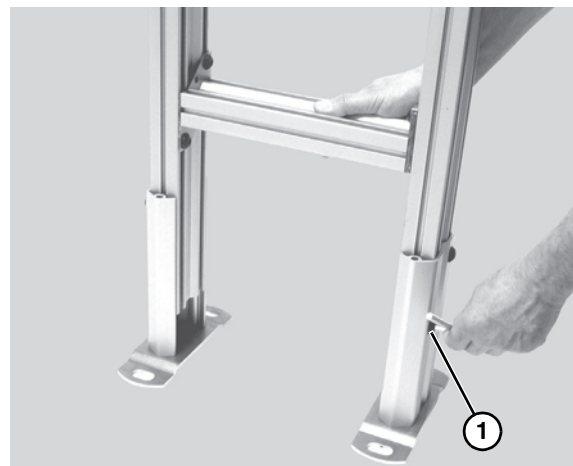


Figure 15

- Raise stand leg (Figure 16, item 1) until it is above fine adjustment bolt assembly (Figure 16, item 2). Insert fine adjustment kit (Figure 16, item 2) into stand leg (Figure 16, item 1).

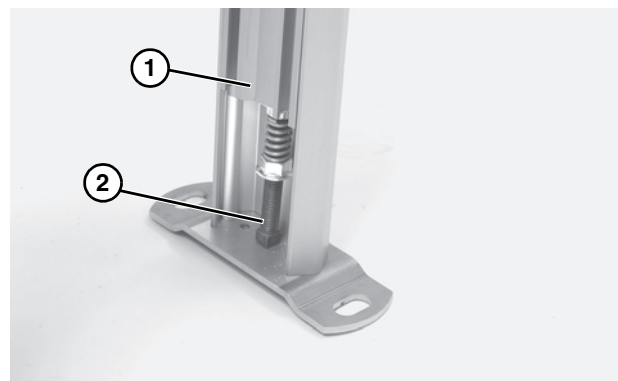
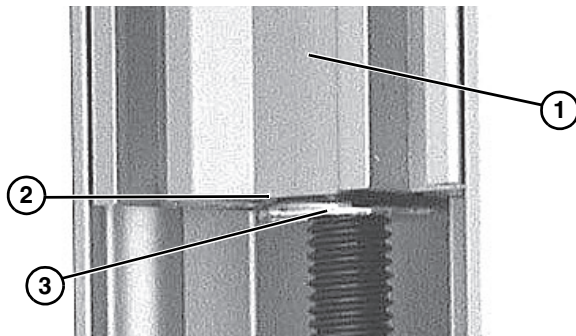


Figure 16



- Lower stand leg (**Figure 17, item 1**) until stand edge (**Figure 17, item 2**) is resting on lower nut (**Figure 17, item 3**) flange.



**Figure 17**

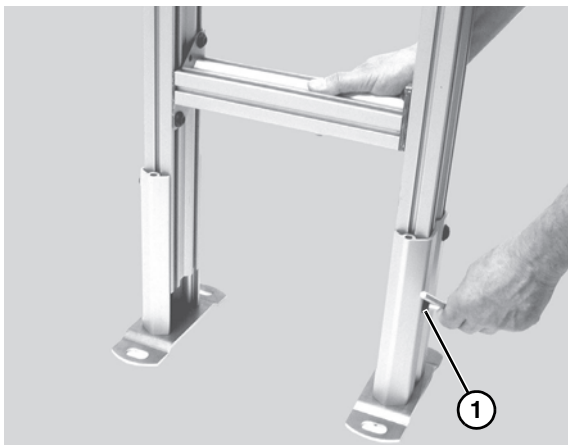
## ⚠ WARNING



Failure to secure screws (**Figure 16, item 1**) may cause conveyor sections to drop down causing severe injury.

**TIGHTEN SCREWS (Figure 16, item 1) AFTER ADJUSTMENT.**

- Tighten stand button screws (**Figure 16, item 1**) to 150 in-lb (17 N-m).



**Figure 18**

- Repeat steps 1 through 4 for opposite stand leg.
- For leveling and height adjustment see page 10.

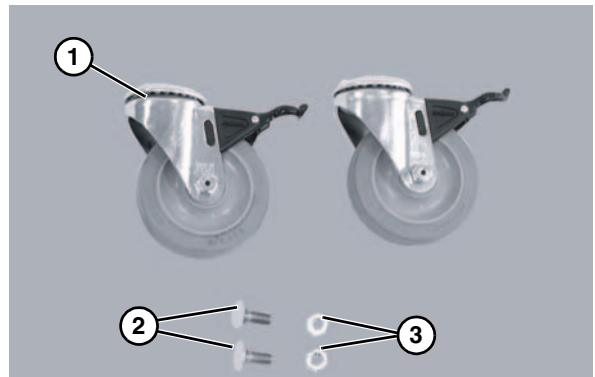
## Optional Caster Kit

### Required Tools

- 17 mm Open End Wrench

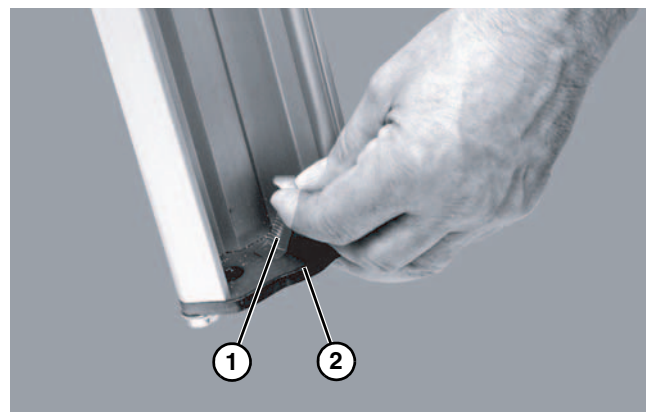
### Typical Components (Figure 19):

1	Caster (2x)
2	Carriage Bolt (2x)
3	Nut (2x)



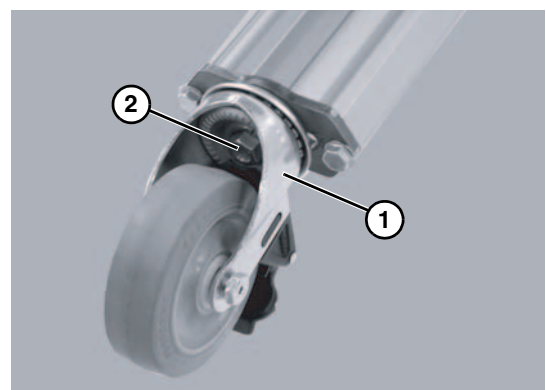
**Figure 19**

- Install carriage bolt (**Figure 20, item 1**) into stand boot base plate (**Figure 20, item 2**).



**Figure 20**

- Install caster (**Figure 21, item 1**) over carriage bolt (**Figure 20, item 1**).
- Place nut (**Figure 21, item 2**) on carriage bolt. Tighten nut to 177 in-lb (20 N-m).



**Figure 21**

- Repeat steps 1 through 3 for opposite leg.


# Preventive Maintenance and Adjustment


## Stand Height Adjustment

### Height Adjustment for Fixed and Adjustable Height Stands

#### Required Tools

- 6 mm Hex Key Wrench

<b>⚠ WARNING</b>

Exposed moving parts can cause severe injury. <b>LOCK OUT POWER</b> before removing guards or performing maintenance.

<b>⚠ WARNING</b>

Loosening stand height or angle adjustment screws may cause conveyor sections to drop down, causing severe injury. <b>SUPPORT CONVEYOR SECTIONS PRIOR TO LOOSENING STAND HEIGHT OR ANGLE ADJUSTMENT SCREWS.</b>

1. Using a support (Figure 22, item 1), raise conveyor and stand off the floor.

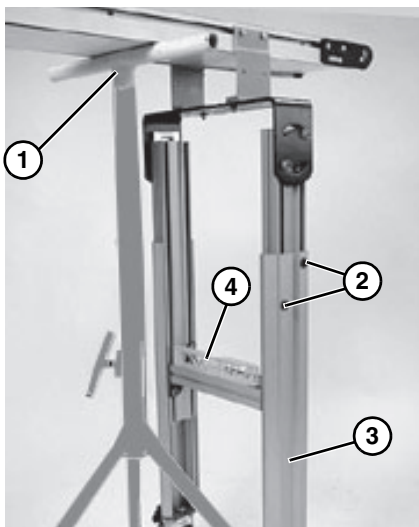



Figure 22

2. Loosen button screws (Figure 22, item 2).

3. Raise or lower stand leg (Figure 22, item 3) to the required height. Level stand from side to side using a level (Figure 22, item 4).


<b>⚠ WARNING</b>

Failure to secure screws (Figure 22, item 2) may cause conveyor sections to drop down causing severe injury. <b>TIGHTEN SCREWS (Figure 22, item 2) AFTER ADJUSTMENT.</b>


4. Tighten button screws (Figure 22, item 2) to 150 in-lb (17 N-m).
5. Repeat steps 2 through 4 on opposite stand leg.

### Height Adjustment for Fixed and Adjustable Height Stands with Fine Adjustment Kit

#### Required Tools

- 6 mm Hex Key Wrench
- 13 mm Open End Wrench

<b>⚠ WARNING</b>

Exposed moving parts can cause severe injury. <b>LOCK OUT POWER</b> before removing guards or performing maintenance.

<b>⚠ WARNING</b>

Loosening stand height or angle adjustment screws may cause conveyor sections to drop down, causing severe injury. <b>SUPPORT CONVEYOR SECTIONS PRIOR TO LOOSENING STAND HEIGHT OR ANGLE ADJUSTMENT SCREWS.</b>

# Preventive Maintenance and Adjustment

1. Loosen button screws (Figure 22, item 2).
2. Turn kit bolt (Figure 23, item 1) to required height.

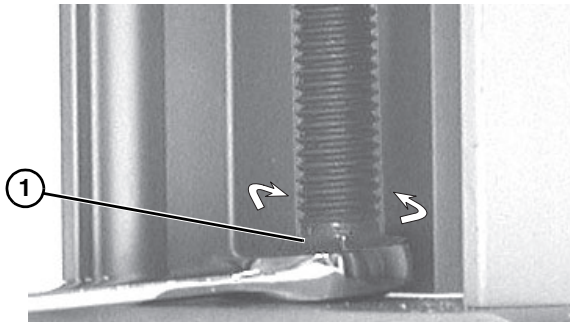


Figure 23

<b>⚠ WARNING</b>
<p>Failure to secure screws (Figure 22, item 2) may cause conveyor sections to drop down causing severe injury.</p> <p><b>TIGHTEN SCREWS (Figure 22, item 2) AFTER ADJUSTMENT.</b></p>

3. Tighten button screws (Figure 22, item 2) to 150 in-lb (17 N-m).
4. Repeat steps 1 through 3 on opposite Adjustment Kit.

## Conveyor Angle Adjustment

### Required Tools

- 6 mm Hex Key Wrench

<b>⚠ WARNING</b>
<p>Loosening stand height or angle adjustment screws may cause conveyor sections to drop down, causing severe injury.</p> <p><b>SUPPORT CONVEYOR SECTIONS PRIOR TO LOOSENING STAND HEIGHT OR ANGLE ADJUSTMENT SCREWS.</b></p>

### NOTE

To rotate stand top plate, screws (Figure 24, item 1) may need to be re-located to other t-slots (Figure 24, item 2).

1. Loosen flange socket screws (Figure 24, item 1) on both sides of stand.

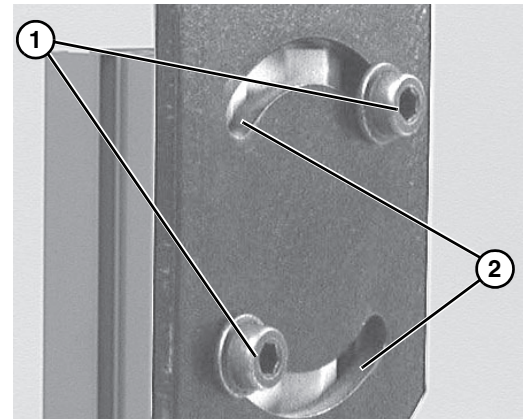


Figure 24

2. Adjust conveyor to desired angle.

<b>⚠ WARNING</b>
<p>Failure to secure screws (Figure 24, item 1) may cause conveyor sections to drop down, causing severe injury.</p> <p><b>TIGHTEN SCREWS (Figure 24, item 1) AFTER ADJUSTMENT.</b></p>

3. Secure flange socket screws (Figure 24, item 1) to 24 ft-lb (18 Nm).
4. If conveyor is equipped with diagonal bracing (Figure 25, item 1), socket screw (Figure 25, item 2) must be loosened to adjust conveyor angle. Secure screw to 100 in-lb (11 N-m) after adjustment.

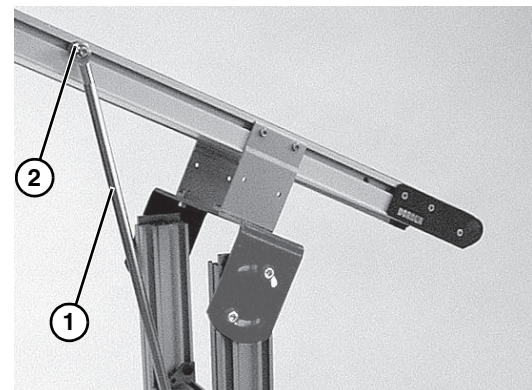



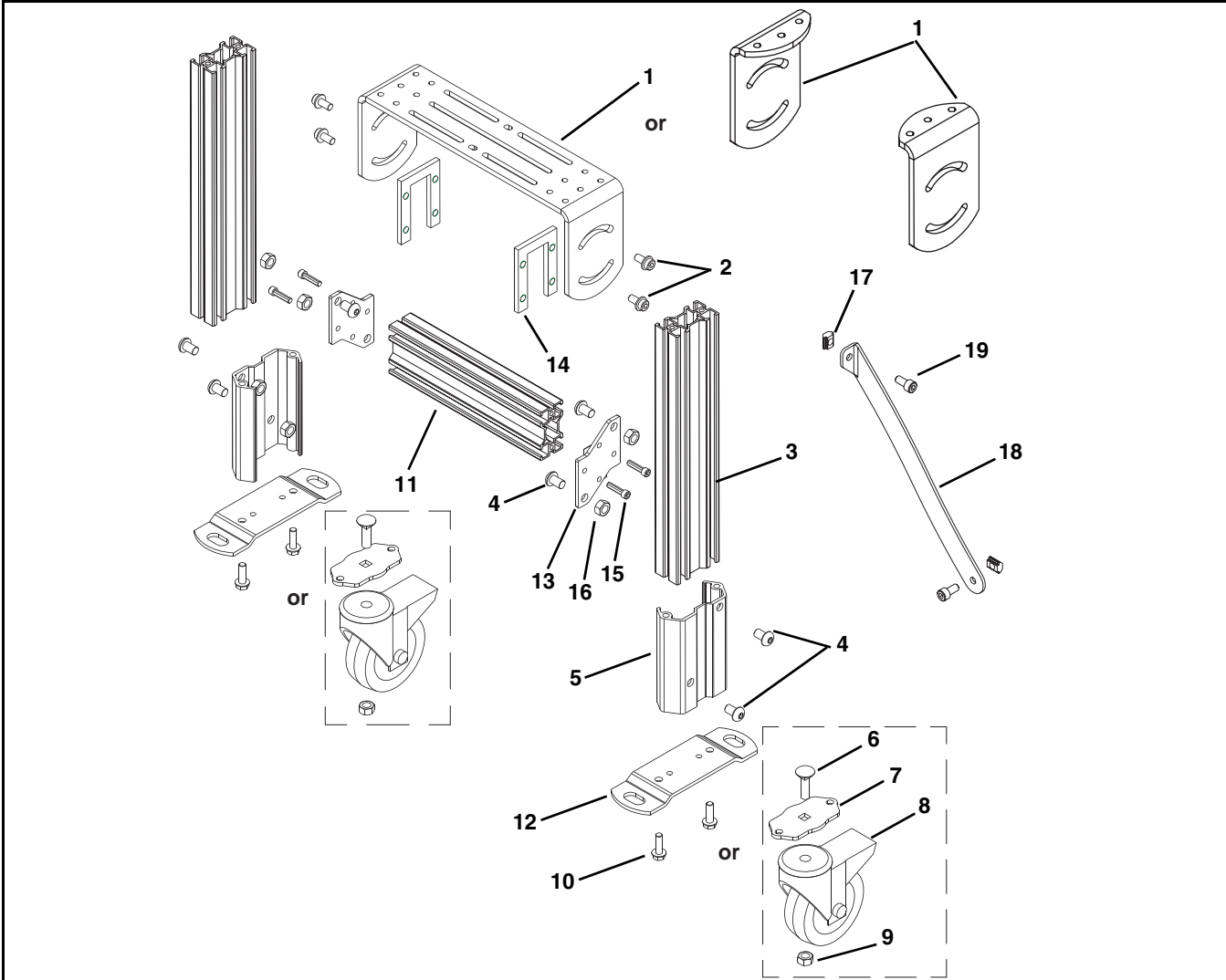
Figure 25

# Service Parts

## NOTE

For replacement parts other than those shown in this section, contact an authorized Dorner Service Center or the factory. Key Service Parts and Kits are identified by the Performance Parts Kits logo . Dorner recommends keeping these parts on hand.

## Fixed Height Stand w/Feet or Casters

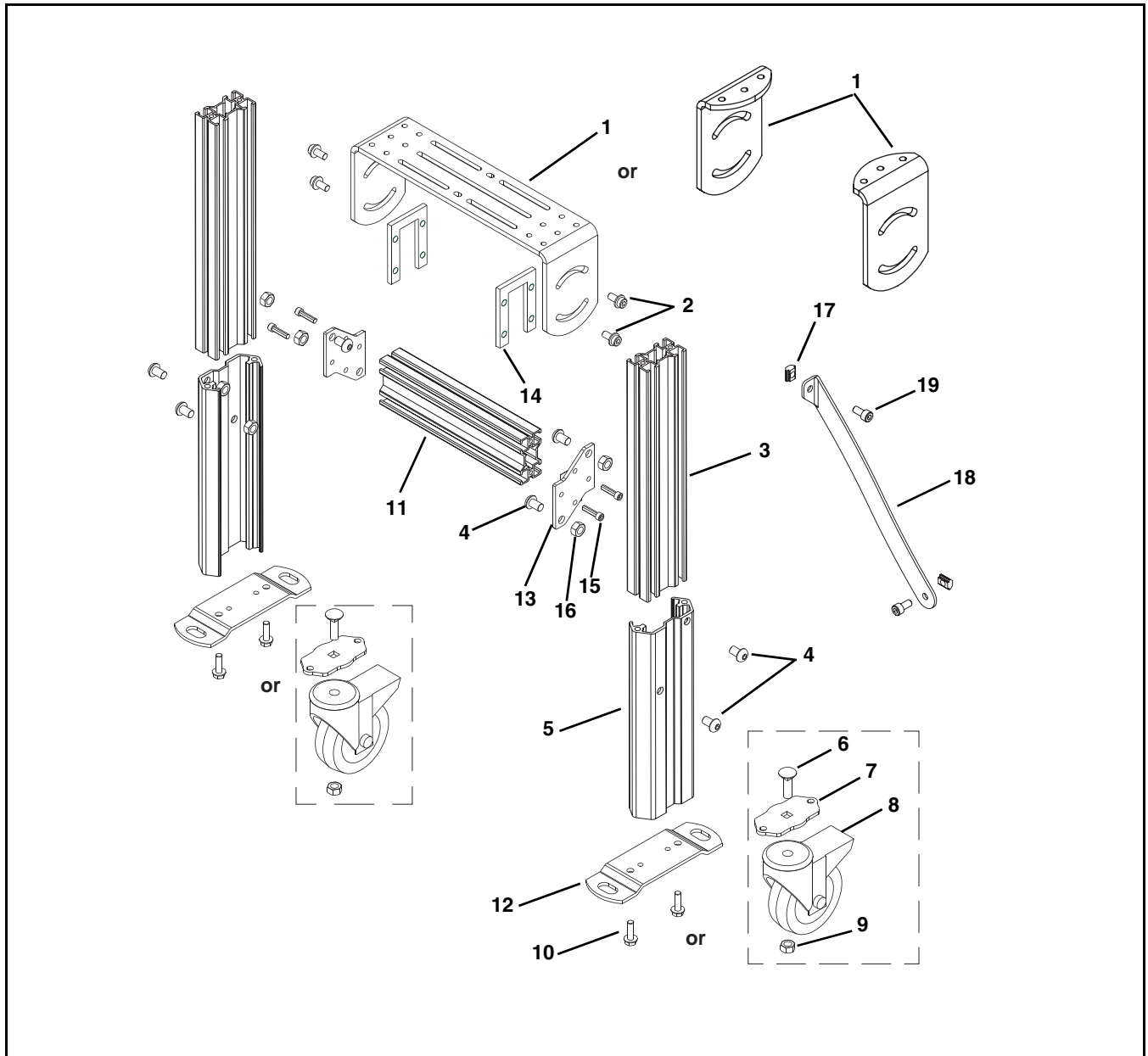


Item	Part Number	Description
1	202148	Stand Bracket, for Stands 12" wide and under
	200697	Stand Brackets, for Stands 14" wide and over
	352318	Stand Brackets, for 5200 Series 8 - 10" wide
	352310	Stand Brackets, for 5200 Series 12" wide and over
2	960883M	Screw, Flange, Socket, M8-1.50x16MM
3	710211-LLLLL	Leg, Stand
4	911016M	Screw, Button, Metric, M10-1.50x16MM
5	710031-00816	Boot, Stand Leg
6	807-1286	Bolt, Carriage M10-1.5x25MM
7	710005	Plate, Caster Mtg. Stand
8	807-640	Caster, 4"
9	807-1303	Lock Nut, M10-1.50

Item	Part Number	Description
10	960897M	Screw, Hex Hd, Metric, M8-1.25x30MM
11	710210-LLLLL	Crossmember
12	710004	Foot, Stand, Floor Mtg
13	710006	Plate, End, Crossmember Stand
14	200801M	Nut, Quad, M8-1.25
15	708180P	Screw, Socket, Metric M6-1.00x25MM
16	991001M	Hex Nut, M10-1.50
17	202390M	Cam Follower Nut, for Stands 20" wide and wider
18	734056	Angle Brace, for Stands 20" wide and wider
19	920816M	Socket Head Screw, M8-1.25 x 16mm, for Stands 20" wide and wider
LLLLL = Length in inches with 2 decimal places.		
Length Example: Length = 95.25" LLLLL = 09525		

## Fixed and Adjustable Height Stands

## Adjustable Height Stand w/Feet or Casters

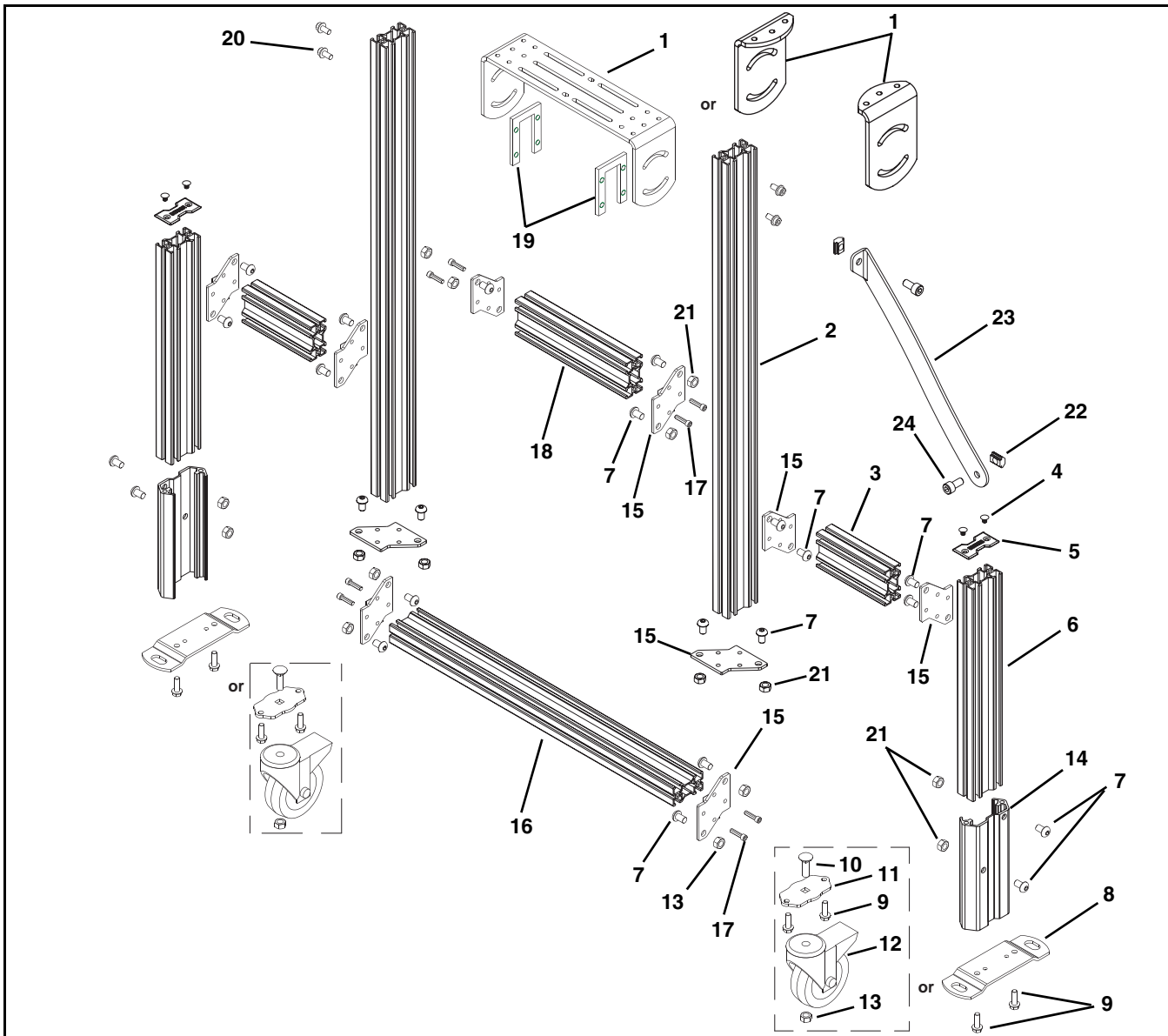


Item	Part Number	Description
1	202148	Stand Bracket, for Stands 12" wide and under
	200697	Stand Brackets, for Stands 14" wide and over
	352318	Stand Brackets, for 5200 Series 8 - 10" wide
	352310	Stand Brackets, for 5200 Series 12" wide and over
2	960883M	Screw, Flange, Socket, M8-1.50x16MM
3	710211-LLLLL	Leg, Stand
4	911016M	Screw, Button, Metric, M10-1.50x16MM
5	710031-LLLLL	Boot, Stand Leg
6	807-1286	Bolt, Carriage M10-1.5x25MM
7	710005	Plate, Caster Mtg. Stand
8	807-640	Caster, 4"
9	807-1303	Lock Nut, M10-1.50

Item	Part Number	Description
10	960897M	Screw, Hex Head, M8-1.25x30MM
11	710210-LLLLL	Crossmember
12	710004	Foot, Stand, Floor Mtg
13	710006	Plate, End, Crossmember Stand
14	200801M	Nut, Quad, M8-1.25
15	708180P	Socket Head Screw, M6-1.00x25MM
16	991001M	Hex Nut, M10-1.50
17	202390M	Cam Follower Nut, for Stands 20" wide and wider
18	734056	Angle Brace, for Stands 20" wide and wider
19	920816M	Socket Head Screw, M8-1.25 x 16mm, for Stands 20" wide and wider
LLLLL = Length in inches with 2 decimal places.		
Length Example: Length = 95.25" LLLLL = 09525		

# Service Parts

## Tall Stand with Feet or Casters

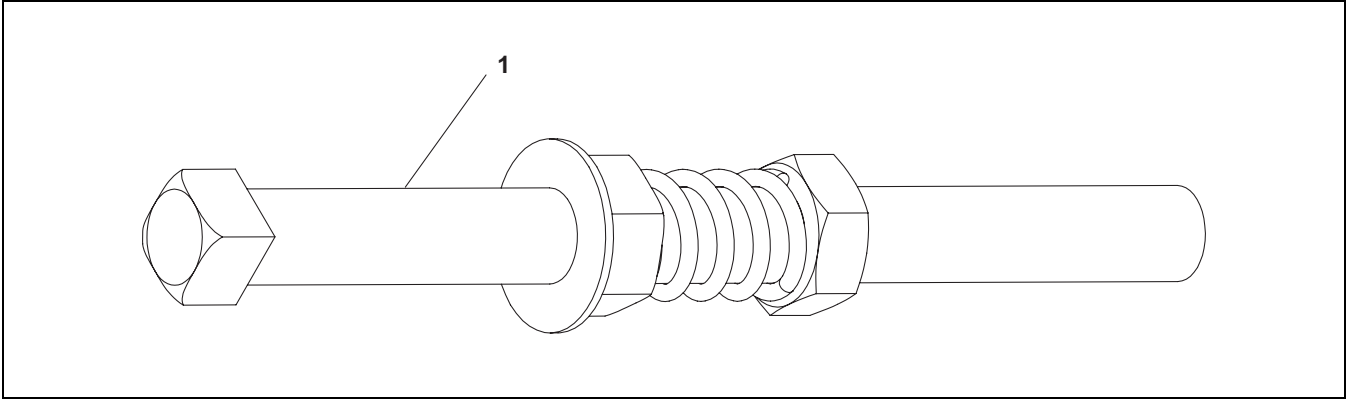


Item	Part Number	Description
1	202148	Stand Bracket, for Stands 12" wide and under
	200697	Stand Brackets, for Stands 14" wide and over
	352318	Stand Brackets, for 5200 Series 8 - 10" wide
	352310	Stand Brackets, for 5200 Series 12" wide and over
2	710211-LLLLL	Leg, Stand, Inner
3	710214-00621	Tie Tube, Stand
4	807-1289	Rivet, Tree, 0.22 Dia x 0.75 Long
5	710003	Label-Cover, Stand
6	710211-01663	Leg, Stand, Outer, Fixed Height
	710212-02263	Leg, Stand, Outer, Adjustable Height
7	911016M	Screw, Button, M10-1.50x16mm
8	710004	Foot, Stand, Floor Mtg
9	960897M	Hex Head Screw, M8-1.25 x 30mm
10	807-1286	Carriage Bolt, M10-1.50
11	710005	Plate, Caster Mtg, Stand

Item	Part Number	Description
12	807-640	Caster, 4"
13	807-1303	Lock Nut, M10-1.50
14	710031-LLLLL	Stand Leg Boot
15	710006	Plate, End, Crossmember Stand
16	710215-LLLLL	Crossmember, Stand Base
17	708180P	Socket Head Screw, M6-1.00x25mm
18	710210-LLLLL	Crossmember
19	200801M	Nut, Quad, M8-1.25
20	960883M	Flange Socket Head Screw, M8-1.50 x 16mm
21	991001M	Hex Nut, M10-1.50
22	202390M	Cam Follower Nut, for Stands 20" wide and wider
23	734056	Angle Brace, for Stands 20" wide and wider
24	920816M	Socket Head Screw, M8-1.25 x 16mm for Stands 20" wide and wider
LLLLL = Length in inches with 2 decimal places.		
Length Example: Length = 95.25" LLLLL = 09525		

### Fixed and Adjustable Height Stands

**Optional Fine Adjustment Kit**



Item	Part Number	Description
1	710028	Fine Adjustment Kit

# Return Policy

Returns must have prior written factory authorization or they will not be accepted. Items that are returned to Dorner without authorization will not be credited nor returned to the original sender. When calling for authorization, please have the following information ready for the Dorner factory representative or your local distributor:

1. Name and address of customer.
2. Dorner part number(s) of item(s) being returned.
3. Reason for return.
4. Customer's original order number used when ordering the item(s).
5. Dorner or distributor invoice number (if available, part serial number).

A representative will discuss action to be taken on the returned items and provide a Returned Goods Authorization (RMA) number for reference. RMA will automatically close 30 days after being issued. To get credit, items must be new and undamaged. There will be a return charge on all items returned for credit, where Dorner was not at fault. It is the customer's responsibility to prevent damage during return shipping. Damaged or modified items will not be accepted. The customer is responsible for return freight.

## Conveyors and conveyor accessories

Standard catalog conveyors	30%
MPB, 7200, 7300 Series, cleated and specialty belt	50%
AquaGard & AquaPruf Series conveyors	non-returnable items
Engineered to order products	case by case
Drives and accessories	30%
Sanitary stand supports	non-returnable items

## Parts

Standard stock parts	30%
Plastic chain, cleated and specialty belts	non-returnable items

Returns will not be accepted after 60 days from original invoice date. The return charge covers inspection, cleaning, disassembly, disposal and reissuing of components to inventory. If a replacement is needed prior to evaluation of returned item, a purchase order must be issued. Credit (if any) is issued only after return and evaluation is complete.

Dorner has representatives throughout the world. Contact Dorner for the name of your local representative. Our Customer Service Team will gladly help with your questions on Dorner products.

For a copy of Dorner's Warranty, contact factory, distributor, service center or visit our website at [www.dorner.com](http://www.dorner.com).

For replacement parts, contact an authorized Dorner Service Center or the factory.



Dorner Mfg. Corp. reserves the right to change or discontinue products without notice. All products and services are covered in accordance with our standard warranty. All rights reserved. © Dorner Mfg. Corp. 2010

## DORNER MFG. CORP.

975 Cottonwood Ave., PO Box 20  
Hartland, WI 53029-0020 USA  
TEL 1-800-397-8664 (USA)  
FAX 1-800-369-2440 (USA)  
Internet: [www.dorner.com](http://www.dorner.com)

Outside the USA:  
TEL 1-262-367-7600  
FAX 1-262-367-5827