



Fully Adjustable Stands

Installation, Maintenance & Parts Manual



DORNER MFG. CORP.
P.O. Box 20 • 975 Cottonwood Ave.
Hartland, WI 53029-0020 USA

INSIDE THE USA
TEL: 1-800-397-8664
FAX: 1-800-369-2440

OUTSIDE THE USA
TEL: 262-367-7600
FAX: 262-367-5827

For other service manuals visit our website at:
www.dorner.com/service_manuals.asp

Table of Contents

Introduction	2	Stands Shipped Fully Assembled	8
Warnings - General Safety	3	Preventive Maintenance and Adjustment	9
Product Description	4	Stand Height Adjustment	9
Specifications	4	Required Tools	9
Installation	5	Conveyor Angle Adjustment	10
Recommended Installation Sequence	5	Notes	11
Assembly	5	Service Parts	12
Stands Shipped Partially Assembled	5	Return Policy	14
Required Tools	5		

Introduction

IMPORTANT

<i>Some illustrations may show guards removed. DO NOT operate equipment without guards.</i>

Upon receipt of shipment:

- Compare shipment with packing slip. Contact factory regarding discrepancies.
- Inspect packages for shipping damage. Contact carrier regarding damage.
- Accessories may be shipped loose. See accessory instructions for installation.

Dorner's Limited Warranty applies.

Dorner reserves the right to make changes at any time without notice or obligation.

Warnings - General Safety

⚠ WARNING

The safety alert symbol, black triangle with white exclamation, is used to alert you to potential personal injury hazards.

⚠ DANGER



Climbing, sitting, walking or riding on conveyor will cause severe injury.
KEEP OFF CONVEYORS.

⚠ DANGER



DO NOT OPERATE CONVEYORS IN AN EXPLOSIVE ENVIRONMENT.

⚠ DANGER



Supports marked with this symbol must be anchored to the floor. Supports not anchored to floor will tip, causing severe injury or death.
SUPPORT MUST BE ANCHORED TO FLOOR.

⚠ WARNING



Exposed moving parts can cause severe injury.
LOCK OUT POWER before removing guards or performing maintenance.

⚠ WARNING



Loosening stand height or angle adjustment screws may cause conveyor sections to drop down, causing severe injury.

SUPPORT CONVEYOR SECTIONS PRIOR TO LOOSENING STAND HEIGHT OR ANGLE ADJUSTMENT SCREWS.

⚠ WARNING



Dorner cannot control the physical installation and application of conveyors. Taking protective measures is the responsibility of the user.

When conveyors are used in conjunction with other equipment or as part of a multiple conveyor system, **CHECK FOR POTENTIAL PINCH POINTS** and other mechanical hazards before system start-up.

Product Description

Refer to Figure 1 for typical stand components.

A	Support Stand Pivot Bracket
B	Leg Support Bracket
C	Leg Assembly
D	Crossmember*
E	Optional Casters
F	Angle Adjustment Point
G	Height Adjustment Point

* (Not used on 0719 or 1219 Height Models)

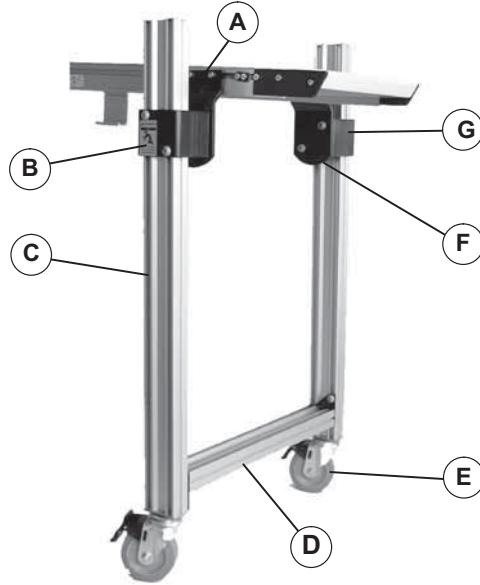
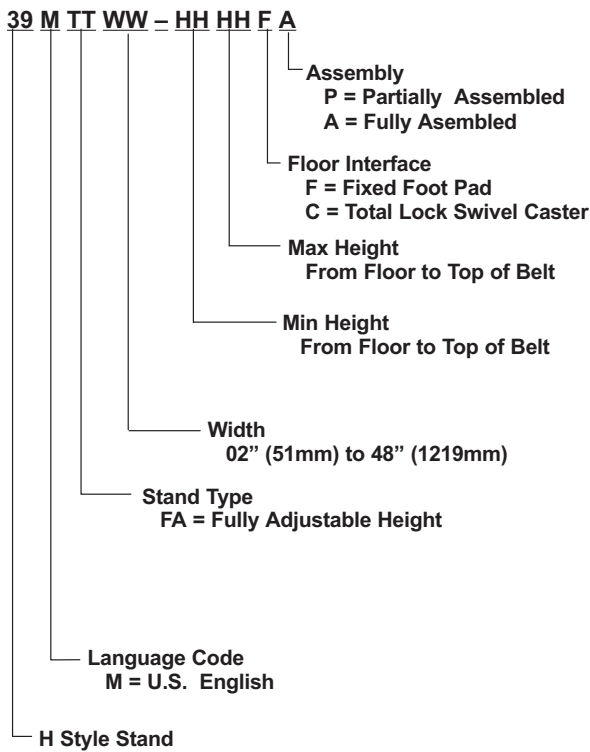


Figure 1

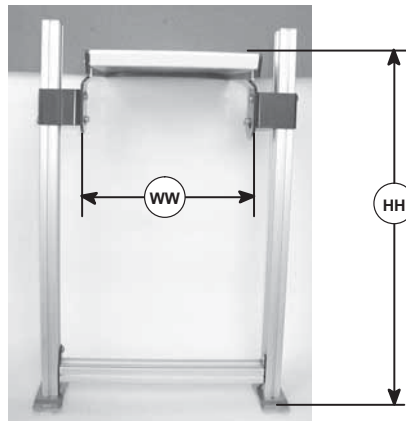
Specifications

Fixed and Adjustable Stand Models




Example: 39MFA12-1267FA

Fully adjustable height, H style stand for a 12" (305mm) wide conveyor with a minimum height of 12" (305mm) and a maximum height of 67" (1702mm) with fixed foot pads. It comes fully assembled and has U.S. English documentation.




⚠ DANGER



Supports marked with this symbol must be anchored to the floor. Supports not anchored to floor will tip, causing severe injury or death.
SUPPORT MUST BE ANCHORED TO FLOOR.

⚠ WARNING



Exposed moving parts can cause severe injury.
LOCK OUT POWER before removing guards or performing maintenance.

Recommended Installation Sequence (see Table of Contents for page numbers)

- Assemble stand(s), if required
- Attach stand(s) to conveyor
- Attach optional diagonal bracing (see Diagonal Brace Kit Manual)
- Adjust stand height and angle (see Adjustment section, page 9)

Assembly

Stands Shipped Partially Assembled

Required Tools

- 5 mm Hex Key Wrench
- 6 mm Hex Key Wrench
- 17 mm Open-End Wrench (stands with casters, only)

1. Typical components (Figure 2).

H	Leg Support Bracket (2x)
I	Hardware Pack, Crossmember (quantity as required)
J	Hardware Pack, Fully Adjustable Stand
K	Pivot Bracket (2x)
L	Crossmember (no crossmember on 7"–19" (178mm–483mm) high stand with feet or 12"–19" (305–483mm) high stand with casters)
M	Plastic Tree Rivet (4x)
N	Tube End Cover (2x)
O	Stand Leg/Foot Assembly (2x) (used on stands with feet) or Stand Leg Assembly (2x) (used on stands with casters)
P	Caster Kit (2x) (used on stands with casters)

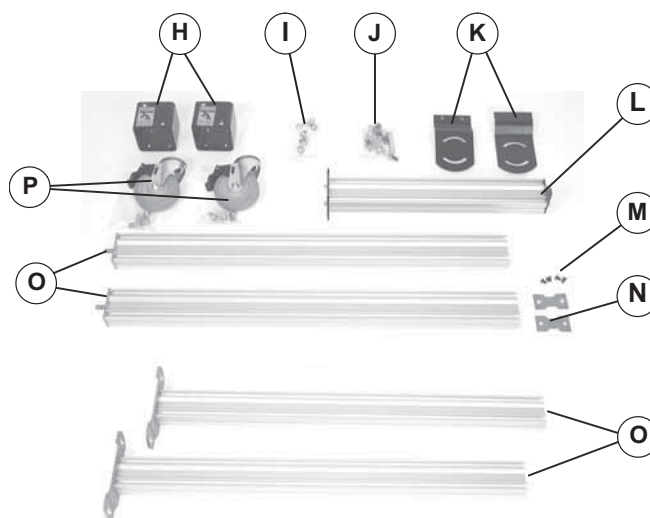


Figure 2

NOTE

7"–19" (178mm–483mm) high stands with feet and 12"–19" (305–483mm) high stands with casters do not use a crossmember. For assembly of these stands, continue with step 7.

2. Open crossmember hardware pack (Figure 2, item I).
3. Install four button head screws (Figure 3, item R) and hex nuts (Q) on crossmember (L). Do not tighten screws.

Installation

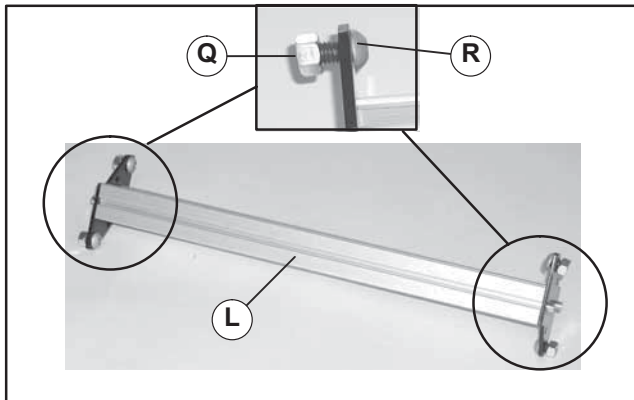


Figure 3

- Align hex nuts (Figure 4, item Q) on crossmember (L) to t-slots (S) at top of stand leg (O). Slide crossmember to bottom of stand leg. Do not tighten screws.

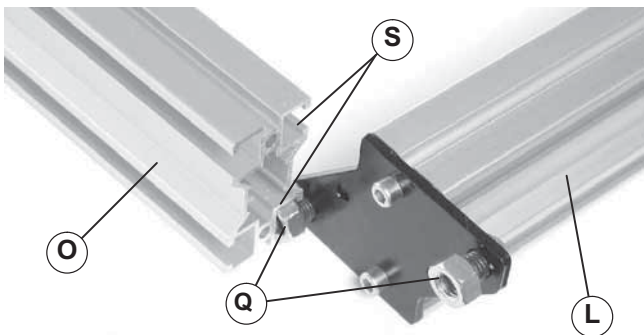


Figure 4

- Repeat step 4 for opposite stand leg.
- Tighten four button head screws (Figure 5, item R) to 150 in-lb (17 N-m).

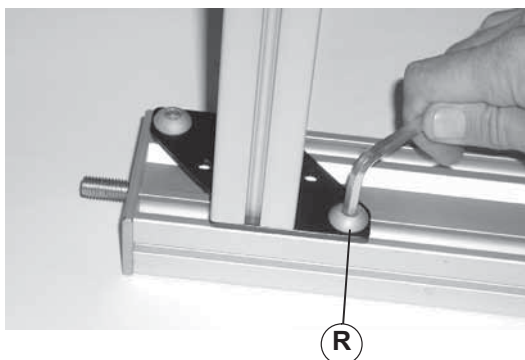


Figure 5

NOTE

Steps 7 and 8 apply to stands with casters only. For stands with feet, go to step 9.

Caster Kit (Figure 2, item P) Components:

T	Caster
V	Lock Nut
(Discard enclosed carriage bolt)	

- Open caster kit (Figure 2, item P). Install caster (Figure 6, item T) over bolt (U). Bolt is pre-assembled on stand leg (O). Secure caster with lock nut (V).

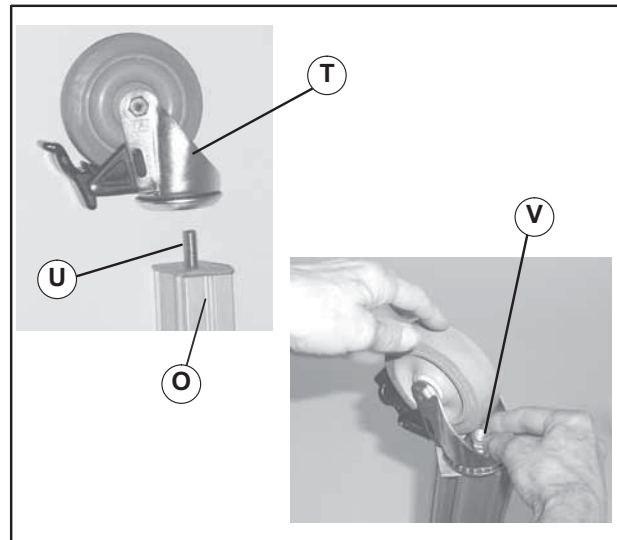


Figure 6

- Tighten lock nut (Figure 7, item V) to 30 ft-lb (40 N-m).

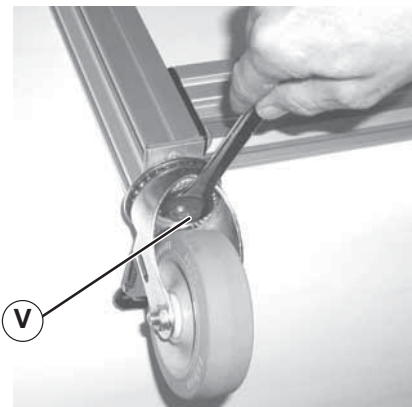


Figure 7

NOTE

Pivot bracket (K) must be installed on side of leg support (H) opposite of warning label (X). When installed, round end of pivot bracket will be down and warning label will be upright, as shown.

Screws (W) for attaching pivot brackets (K) to support legs (H) must be installed in opposite set of holes on opposite support leg to properly attach pivot brackets to conveyor.

- Open fully adjustable stand hardware pack (Figure 2, item J). Attach pivot bracket (Figure 8, item K) to leg support (H) with two flange socket head screws (W). Do not tighten screws.

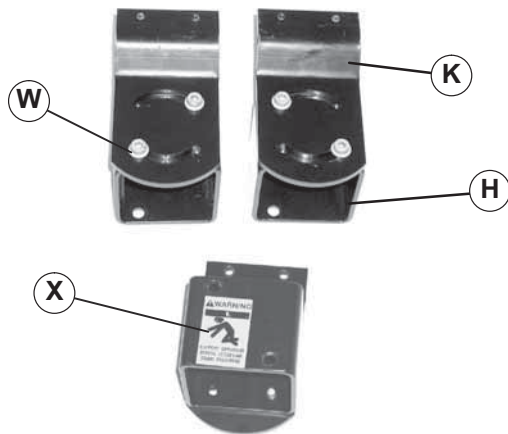


Figure 8

- Repeat step 9 for opposite pivot bracket (see note, above).
- Install two button head screws (Figure 9, item Y) and hex nuts (Z) on leg support (H). Do not tighten screws.

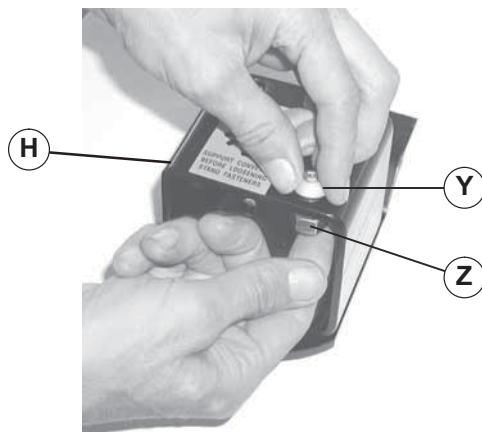


Figure 9

- Repeat step 11 for opposite leg support.

- Align hex nuts (Figure 10, item Z) on leg support (H) to t-slots at top, outside of stand leg (O). Slide leg support down stand leg until conveyor mounting holes (AA) on pivot bracket (K) are approximately the same height as the lower t-slots on conveyor. Tighten button head screws (Y) just enough to keep leg support in position.

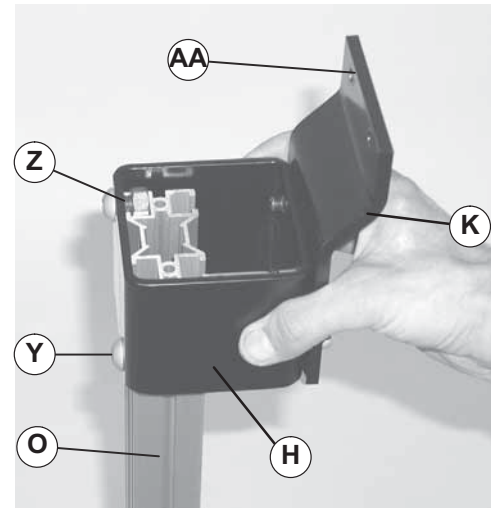


Figure 10

- Repeat step 13 for opposite stand leg.
- Install one t-bar (Figure 11, item AB) in bottom t-slot on each side of conveyor (AC).

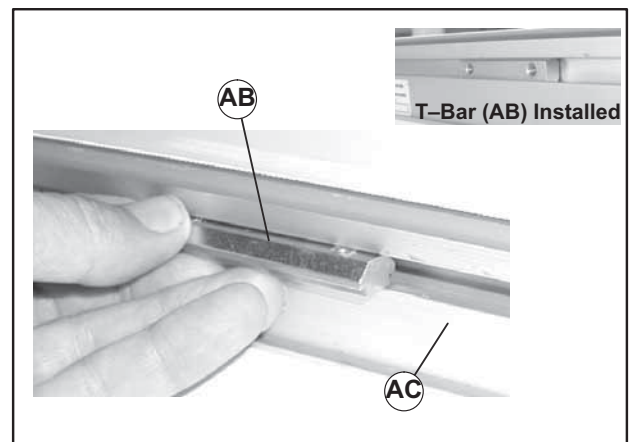


Figure 11

Installation

⚠ WARNING



Loosening stand height or angle adjustment screws may cause conveyor sections to drop down, causing severe injury.

SUPPORT CONVEYOR SECTIONS PRIOR TO LOOSENING STAND HEIGHT OR ANGLE ADJUSTMENT SCREWS.

NOTE

Make sure conveyor section is properly supported and at the proper height and angle before attaching stand.

16. Attach pivot bracket (Figure 12, item K) to t-bar (Figure 11, item AB) with two socket head screws (Figure 12, item AD). Do not tighten screws.

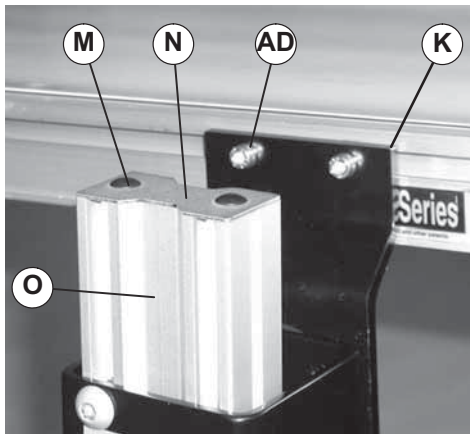


Figure 12

17. Repeat step 16 for opposite stand leg.

⚠ WARNING



Failure to secure screws (Figure 10, item Y) may cause conveyor sections to drop down causing severe injury.

TIGHTEN SCREWS (Y) AFTER ADJUSTMENT.

18. Tighten four socket head screws (Figure 12, item AD) to 124 in-lb (14 N-m).

19. Tighten four flange socket head screws (Figure 8, item W) to 24 ft-lb (33 N-m).
20. Tighten four button head screws (Figure 10, item Y) to 17 ft-lb (22.5 N-m).
21. For final height and angle adjustments see page 10.
22. Attach tube end cover (Figure 12, item N) on stand leg (O) with two plastic tree rivets (M).
23. Repeat step 22 for opposite stand leg.

Stands Shipped Fully Assembled


1. No stand assembly is required.
2. To attach stand to conveyor, see steps 15 through 18 starting on page 7.
3. For final height and angle adjustments see page 10.


Preventive Maintenance and Adjustment

Stand Height Adjustment


Required Tools

- 6 mm Hex Key Wrench

⚠ WARNING	
	
Exposed moving parts can cause severe injury. LOCK OUT POWER before removing guards or performing maintenance.	

⚠ WARNING	
	
Loosening stand height or angle adjustment screws may cause conveyor sections to drop down, causing severe injury. SUPPORT CONVEYOR SECTIONS PRIOR TO LOOSENING STAND HEIGHT OR ANGLE ADJUSTMENT SCREWS.	

1. Support conveyor section (Figure 13, item AC).
2. Loosen two flange socket head screws (W) on each pivot bracket (K).
3. Loosen two button head screws (Y) on each leg support (H).
4. Slide both leg supports (H) up or down on stand legs (O) to the required height. If necessary, adjust height of each leg support until conveyor is level from side to side.

⚠ WARNING	
	
Failure to secure screws (Figure 13, item Y) may cause conveyor sections to drop down causing severe injury. TIGHTEN SCREWS (Y) AFTER ADJUSTMENT.	

5. Tighten four button head screws (Y) to 17 ft-lb (22.5 N-m).

6. Tighten four flange socket head screws (W) to 24 ft-lb (33 N-m).

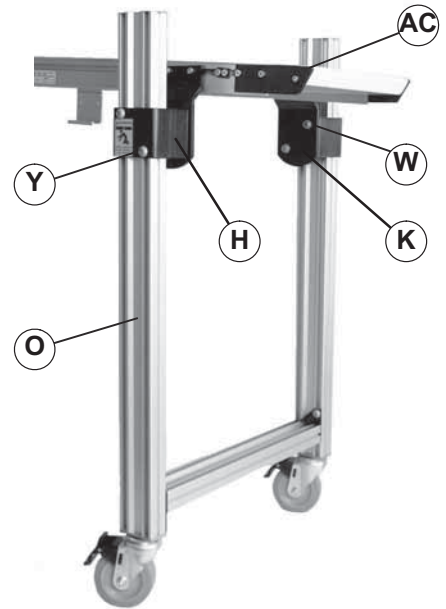



Figure 13

Preventive Maintenance and Adjustment

Conveyor Angle Adjustment

Required Tools

- 6 mm Hex Key Wrench

⚠ WARNING

<p>Loosening stand height or angle adjustment screws may cause conveyor sections to drop down, causing severe injury.</p> <p>SUPPORT CONVEYOR SECTIONS PRIOR TO LOOSENING STAND HEIGHT OR ANGLE ADJUSTMENT SCREWS.</p>

1. Loosen two flange socket head screws (Figure 14, item W) on both sides of stand.

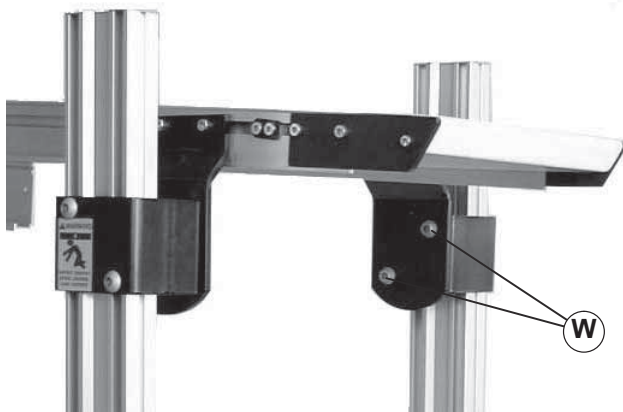



Figure 14

2. Adjust conveyor to desired angle.

⚠ WARNING

<p>Failure to secure screws (Figure 14, item W) may cause conveyor sections to drop down, causing severe injury.</p> <p>TIGHTEN SCREWS (W) AFTER ADJUSTMENT.</p>

3. Secure flange socket screws (Figure 14, item W) to 24 ft-lb (18 Nm).

4. If conveyor is equipped with diagonal bracing (Figure 15, item AE), socket head screw (AF) must be loosened to adjust conveyor angle. Secure screw to 100 in-lb (11 N-m) after angle adjustment.

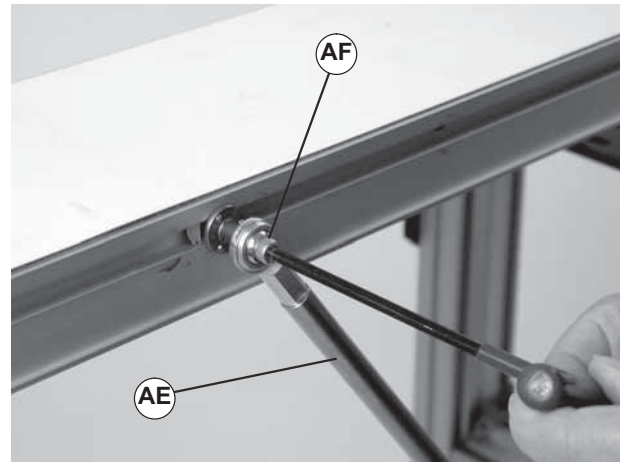


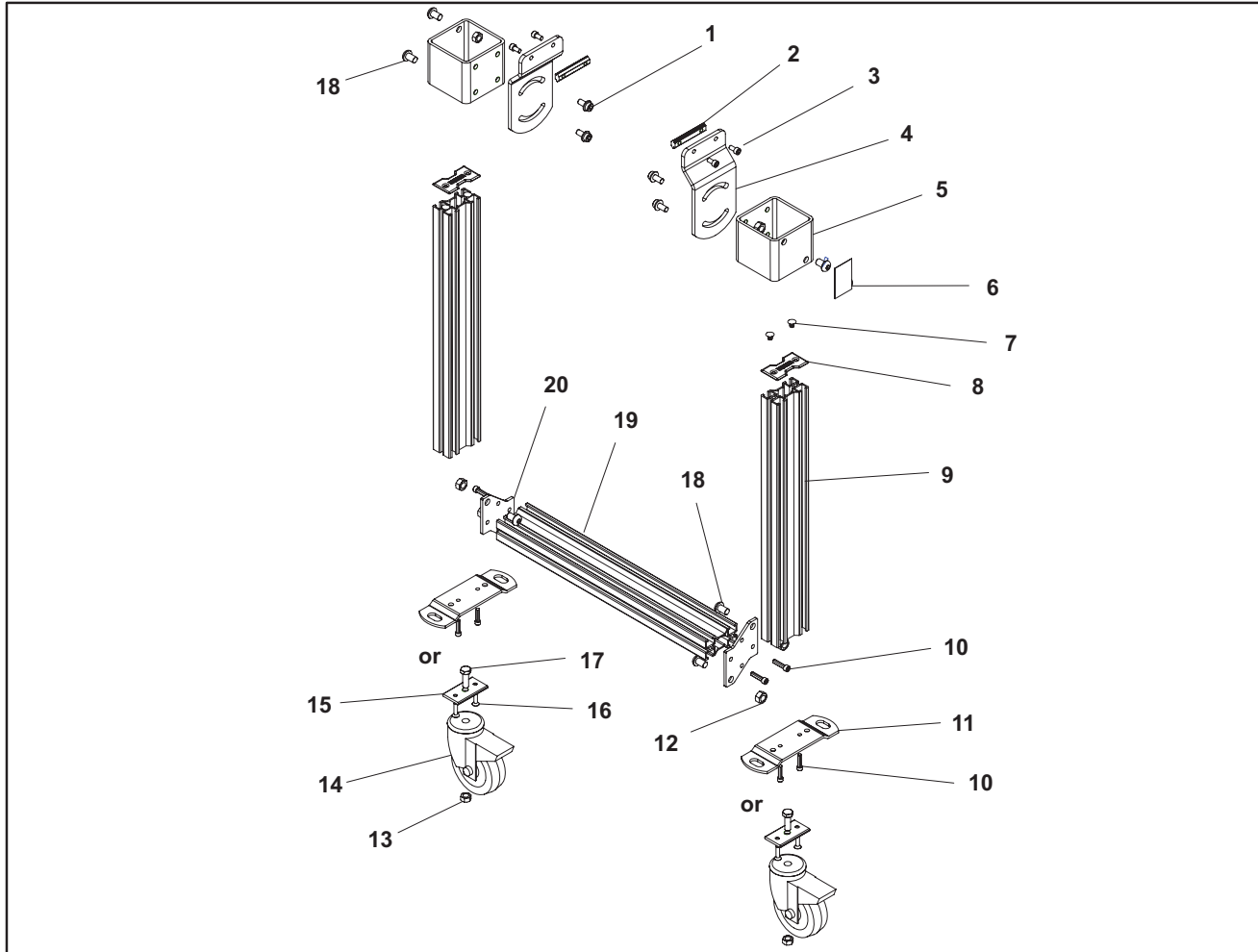
Figure 15

Service Parts

NOTE

For replacement parts other than those shown on this page, contact an authorized Dorner Service Center or the factory.

Fully Adjustable Stand w/Feet or Casters



Item	Part Number	Description
1	920883M	Scr, Flange, Socket M8-1.25x16MM
2	300150M	Bar, Tee, Drop-In, 1.88 CD Metric
3	920612M	Scr, Sock, Metric M6-1.00x12MM
4	300825M	Bracket, Pivot, Stand Mounting
5	710016	Bracket, Leg Support
6	300324P	Label, Warning, Overhead Hazard
7	807-1289	Rivet, Tree, 0.22 Dia. x 0.75 Long
8	710003	Cover, Tube End, Stand
9	See Leg Table	Leg, Stand
10	708180P	Scr, Sock, Metric M6-1.00x25MM
11	710004	Foot, Stand, Floor Mtg
12	991001M	Nut, Hex, Full M10-1.50
13	807-1303	Nut, Lock, Nylon M10-1.50
14	807-640	Caster, 4"
15	710221	Plate, Caster Mtg.
16	930625M	Scr, Flat, Metric M6-1.0x25MM

Item	Part Number	Description
17	961030M	Scr, Cap, HD-Hex M10-1.5x30MM
18	911016M	Scr, Btnn, Metric M10-1.50x16MM
19	See Crossmember Table	Crossmember*
20	710006	Plate, End, Crossmember Stand

* No crossmember used on 7"-19" (178mm-483mm) high stand with feet or 12"-19" (305mm-483mm) high stand with casters.

Fully Adjustable Stands

Item 9: Leg Table:	
With Foot	
Stand Height Range	Leg Part Number
7"-19" (178mm-483mm)	710211-01600
12"-31" (305mm-787mm)	710211-02663
12"-43" (305mm-1092mm)	710211-03863
12"-55" (305mm-1397mm)	710211-05063
12"-67" (305mm-1702mm)	710211-06263

With Caster	
Stand Height Range	Leg Part Number
12"-19" (305mm-483mm)	710211-01100
17"-31" (432mm-787mm)	710211-02163
17"-43" (432mm-1092mm)	710211-03363
17"-55" (432mm-1397mm)	710211-04563
17"-67" (432mm-1702mm)	710211-05763

Item 19: Crossmember Table	
Stand Width	Crossmember Part Number
8" (203mm)	710210-01428
10" (254mm)	710210-01628
12" (304mm)	710210-01828
14" (357mm)	710210-02028
16" (406mm)	710210-02228
18" (457mm)	710210-02428
20" (508mm)	710210-02628
22" (559mm)	710210-02828
24" (610mm)	710210-03028
26" (661mm)	710210-03228
28" (711mm)	710210-03428
30" (762mm)	710210-03628
32" (813mm)	710210-03828
34" (864mm)	710210-04028
36" (915mm)	710210-04228
38" (966mm)	710210-04428
40" (1016mm)	710210-04628
42" (1067mm)	710210-04828
44" (1118mm)	710210-05028
46" (1169mm)	710210-05228
48" (1220mm)	710210-05428

Return Policy

Returns must have prior written factory authorization or they will not be accepted. Items that are returned to Dorner without authorization will not be credited nor returned to the original sender. When calling for authorization, please have the following information ready for the Dorner factory representative or your local distributor:

1. Name and address of customer.
2. Dorner part number(s) of item(s) being returned.
3. Reason for return.
4. Customer's original order number used when ordering the item(s).
5. Dorner or distributor invoice number.

A representative will discuss action to be taken on the returned items and provide a Returned Goods Authorization number for reference.

There will be a return charge on all new undamaged items returned for credit where Dorner was not at fault. Dorner is not responsible for return freight on such items.

Conveyors and conveyor accessories	
Standard catalog conveyors	30%
MPB Series, cleated and specialty belt conveyors	50%
7400 & 7600 Series conveyors	non-returnable items
Engineered special products	case by case
Drives and accessories	30%
Sanitary stand supports	non-returnable items

Parts	
Standard stock parts	30%
MPB, cleated and specialty belts	non-returnable items

Returns will not be accepted after 60 days from original invoice date.

The return charge covers inspection, cleaning, disassembly, disposal and reissuing of components to inventory.

If a replacement is needed prior to evaluation of returned item, a purchase order must be issued. Credit (if any) is issued only after return and evaluation is complete.

Dorner has representatives throughout the world. Contact Dorner for the name of your local representative. Our Technical Sales, Catalog Sales and Service Teams will gladly help with your questions on Dorner products.

For a copy of Dorner's Warranty, contact factory, distributor, service center or visit our website at www.dorner.com.

For replacement parts, contact an authorized Dorner Service Center or the factory.



Dorner Mfg. Corp. reserves the right to change or discontinue products without notice. All products and services are covered in accordance with our standard warranty. All rights reserved. © Dorner Mfg. Corp. 2006

DORNER MFG. CORP.

975 Cottonwood Ave., PO Box 20
Hartland, WI 53029-0020 USA
USA
TEL 1-800-397-8664 (USA)
FAX 1-800-369-2440 (USA)
Internet: www.dorner.com

Outside the USA:
TEL 1-262-367-7600
FAX 1-262-367-5827