



# Single Post Support Stands & Pillar Supports

Installation, Maintenance & Parts Manual



DORNER MFG. CORP.  
P.O. Box 20 • 975 Cottonwood Ave.  
Hartland, WI 53029-0020 USA

INSIDE THE USA  
TEL: 1-800-397-8664  
FAX: 1-800-369-2440

OUTSIDE THE USA  
TEL: 262-367-7600  
FAX: 262-367-5827

For other service manuals visit our website at:  
[www.dorner.com/service\\_manuals.asp](http://www.dorner.com/service_manuals.asp)

---

# Table of Contents

---

Introduction .....	2	Assembly - Single Post Stand .....	5
Warnings - General Safety .....	3	Assembly - Pillar Support .....	7
Product Description .....	4	Preventive Maintenance and Adjustment .....	10
Specifications .....	4	Required Tools .....	10
Single Post and Pillar Support Stand Models .....	4	Conveyor Height Adjustment.....	10
Installation .....	5	Conveyor Angle Adjustment.....	12
Requirements for Use of One Single Post Stand for		Service Parts.....	13
Conveyor Support .....	5	Single Post/Pillar Support Stands.....	13
Recommended Installation Sequence .....	5	Return Policy.....	14
Required Tools.....	5		

---

## Introduction

---

<b>IMPORTANT</b>
------------------

<i>Some illustrations may show guards removed. DO NOT operate equipment without guards.</i>
---

Upon receipt of shipment:

- Compare shipment with packing slip. Contact factory regarding discrepancies.
- Inspect packages for shipping damage. Contact carrier regarding damage.
- Accessories may be shipped loose. See accessory instructions for installation.

Dorner's Limited Warranty applies.

Dorner reserves the right to make changes at any time without notice or obligation.

# Warnings - General Safety

**⚠ WARNING**


The safety alert symbol, black triangle with white exclamation, is used to alert you to potential personal injury hazards.

**⚠ DANGER**



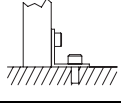
Climbing, sitting, walking or riding on conveyor will cause severe injury.  
**KEEP OFF CONVEYORS.**

**⚠ WARNING**



Exposed moving parts can cause severe injury.  
**LOCK OUT POWER** before removing guards or performing maintenance.

**⚠ DANGER**




Pillar supports not anchored to floor will tip, causing severe injury or death.  
**PILLAR SUPPORT MUST BE ANCHORED TO FLOOR.**

**⚠ DANGER**




**DO NOT OPERATE CONVEYORS IN AN EXPLOSIVE ENVIRONMENT.**

**⚠ WARNING**



Loosening stand height or angle adjustment screws may cause conveyor sections to drop down, causing severe injury.  
**SUPPORT CONVEYOR SECTIONS PRIOR TO LOOSENING STAND HEIGHT OR ANGLE ADJUSTMENT SCREWS.**

**⚠ WARNING**

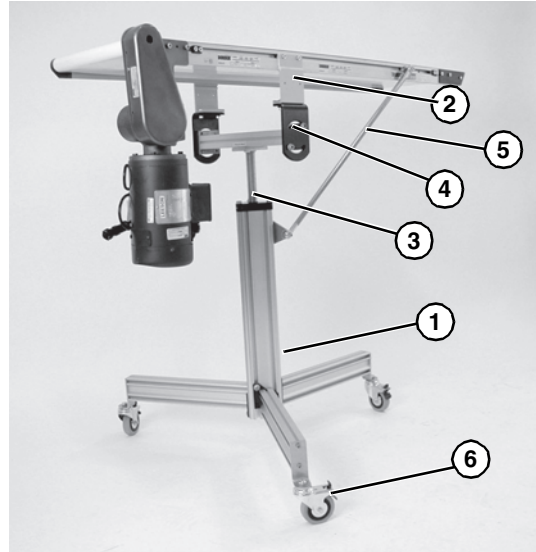


Dorner cannot control the physical installation and application of conveyors. Taking protective measures is the responsibility of the user.  
When conveyors are used in conjunction with other equipment or as part of a multiple conveyor system, **CHECK FOR POTENTIAL PINCH POINTS** and other mechanical hazards before system start-up.

# Product Description

Refer to **Figure 1** for typical stand components.

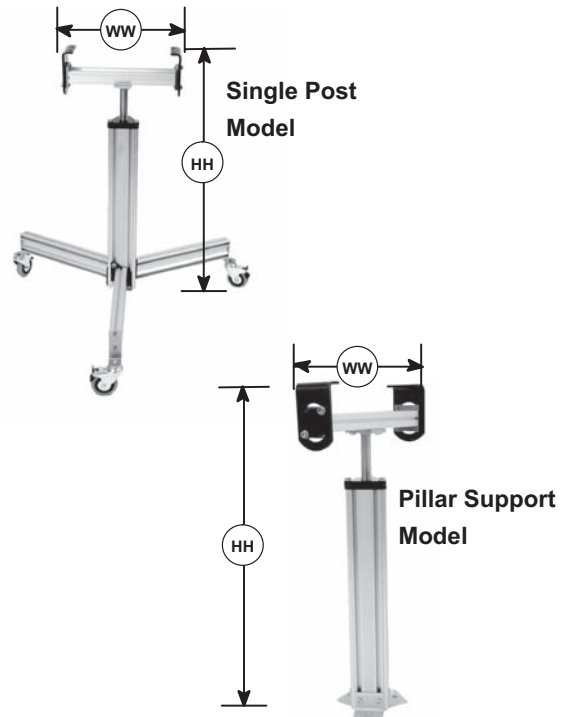
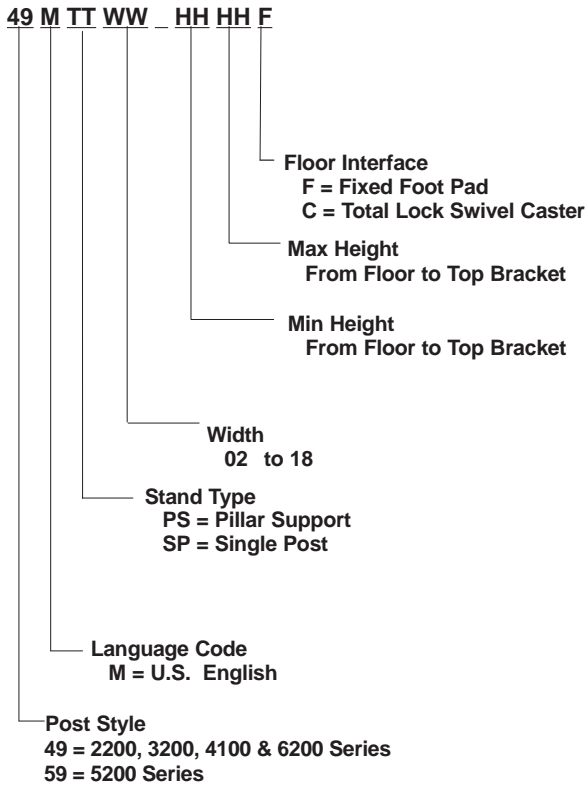
1	Single Post Support Stand
2	Stand Mounting Bracket (with conveyor)
3	Height Adjustment Point
4	Angle Adjustment Point
5	Optional Diagonal Brace
6	Optional Casters



**Figure 1**

# Specifications

## Single Post and Pillar Support Stand Models



Example: 49MSP12- 23 33F

Single post style stand for a 12" wide conveyor with a minimum height of 23" and a maximum height of 33". It is equipped with fixed foot pads and has U.S. English documentation.

## Requirements for Use of One Single Post Stand for Conveyor Support

**⚠ WARNING**

For maximum stability, install the conveyor on the stand so it is positioned and balanced as shown below.

**DO NOT** use with conveyors over 4 ft (1219 mm) long.

**DO NOT** use with conveyor equipped with a heavy load gearmotor bottom mounting package.

Failure to heed this warning could result in the conveyor being unstable and tipping over, resulting in equipment damage or personal injury.

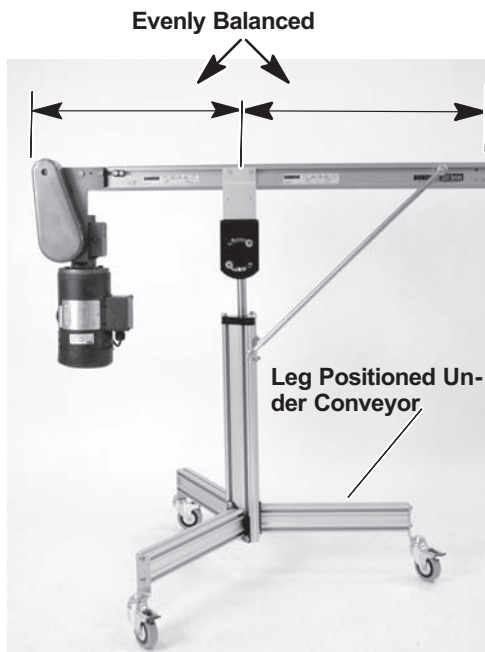


Figure 2


**⚠ DANGER**



Pillar supports not anchored to floor will tip, causing severe injury or death.

**PILLAR SUPPORT MUST BE ANCHORED TO FLOOR.**

**⚠ WARNING**



Exposed moving parts can cause severe injury.

**LOCK OUT POWER** before removing guards or performing maintenance.

## Recommended Installation Sequence (see Table of Contents for page number)

- Assemble stand(s)
- Attach stand(s) to conveyor (see Conveyor Installation, Maintenance & Parts Manual)
- Attach optional diagonal bracing (see Diagonal Brace Kit Manual)
- Adjust stand height and level (see Preventive Maintenance and Adjustment section, page 10)

## Required Tools

- 6 mm Hex Key Wrench

## Assembly - Single Post Stand

1. Typical components (Figure 3).

1	Trileg Post
2	Conveyor Mounting Bracket and Crossmember Tube Assembly
3	Base Leg Assembly (3x)
4	Hardware Pack, Single Post Stand

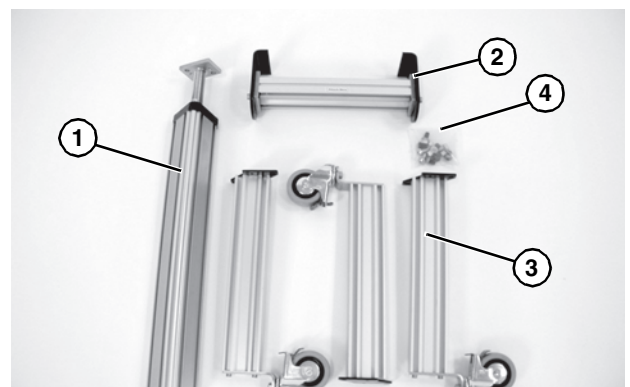


Figure 3

**NOTE**

*Caster option shown. Foot pad option similar.*

2. Open hardware pack, single post stand (Figure 3, item 4).

# Installation

- Place a button screw (Figure 4, item 1) through each hole in the end plate (Figure 4, item 2) of a leg tube (Figure 4, item 3). Attach a hex nut (Figure 4, item 4) to the screw. Leave a gap (Figure 4, item 5) between the nuts and end plate.

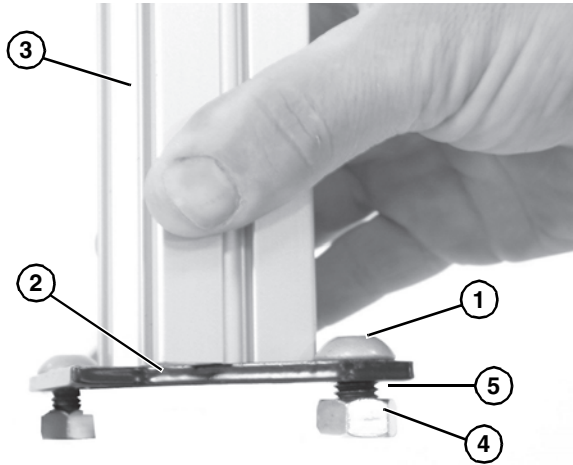


Figure 4

- Align the leg tube (Figure 5, item 1) end plate hex nuts (Figure 5, item 2) with the t-slots (Figure 5, item 3) on one side of the trileg post (Figure 5, item 4). Slide the hex nuts (Figure 5, item 2) into the T-slots (Figure 5, item 3).

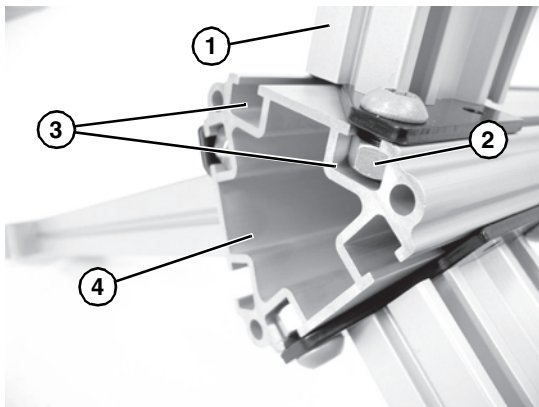


Figure 5

- Align bottom edge of the end plate (Figure 6, item 1) with bottom edge of the trileg post (Figure 6, item 2).

<b>⚠ WARNING</b>	
<b>Failure to secure screws (Figure 6, item 3) may cause conveyor sections to drop down, causing severe injury.</b>	
<b>TIGHTEN ALL SCREWS (Figure 6, item 3) AFTER ADJUSTMENT.</b>	

- Tighten button screws (Figure 6, item 3) to 100 in-lb (11 N-m).

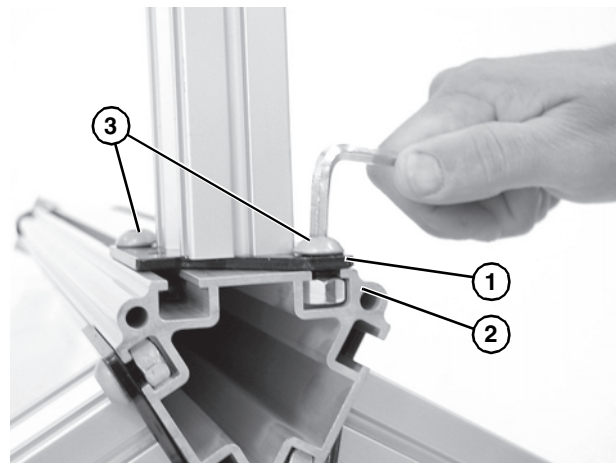


Figure 6

- Repeat steps 3 to 6 on other two legs.
- Position the conveyor mounting bracket and crossmember tube assembly (Figure 7, item 1) so there is access to the underside t-slots (Figure 7, item 2) and hex nuts (Figure 7, item 3).

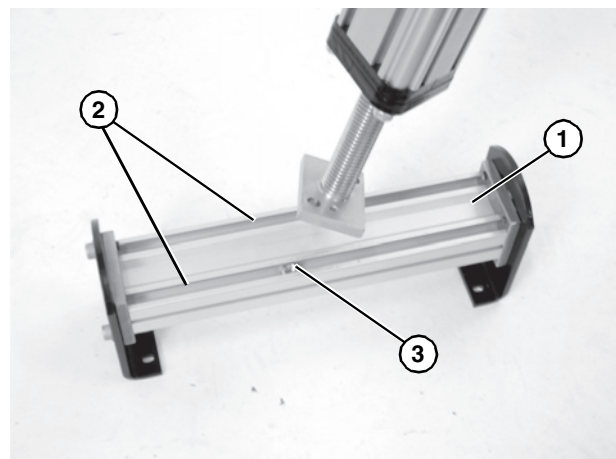
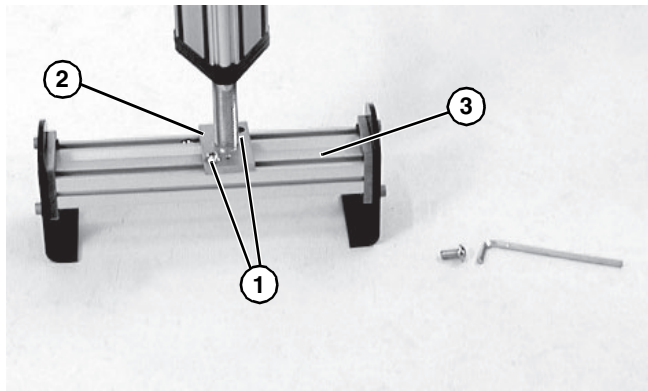


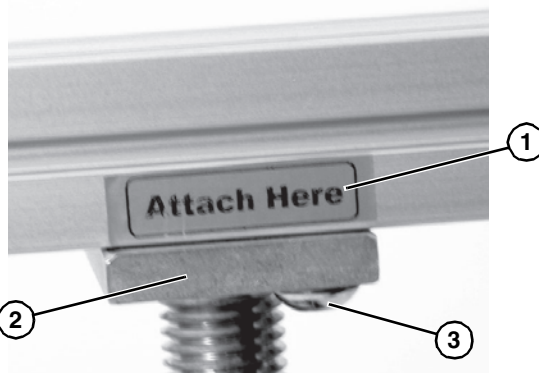
Figure 7

- Align the screw holes (**Figure 8, item 1**) of the stand top screw end plate (**Figure 8, item 2**) with the hex nuts in the t-slots in the crossmember tube (**Figure 8, item 3**).



**Figure 8**

- Attach the button screws to the hex nuts, do not tighten. Position the stand assembly up right.
- To center the conveyor mounting bracket (**Figure 8, item 3**), position the “Attach Here” sticker (**Figure 9, item 1**) with the end plate (**Figure 9, item 2**) of the stand top screw assembly.



**Figure 9**

**⚠ WARNING**

**Failure to secure screws (Figure 9, item 3) may cause conveyor sections to drop down, causing severe injury.**

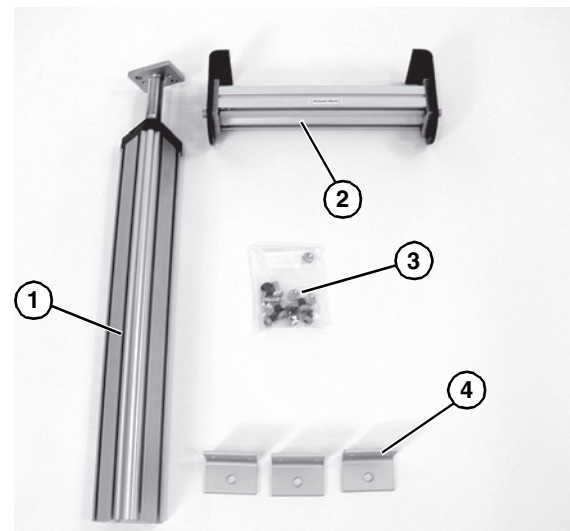
**TIGHTEN ALL SCREWS (Figure 9, item 3) AFTER ADJUSTMENT.**

- Tighten button screws (**Figure 9, item 3**) to 100 in-lb (11 N-m).

## Assembly - Pillar Support

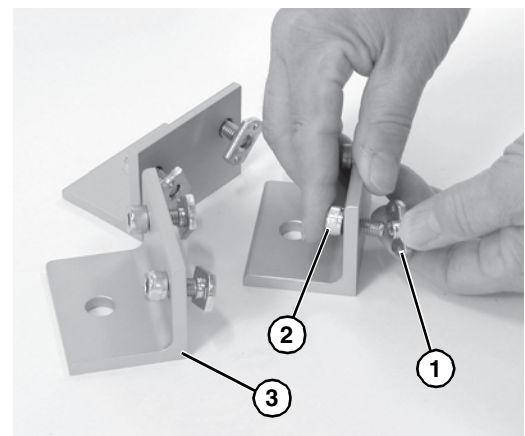
- Typical components (**Figure 10**).

1	Trileg Post
2	Conveyor Mounting Bracket and Crossmember Tube assembly
3	Hardware Pack, Single Post Stand
4	Stand Foot Bracket (3x)



**Figure 10**

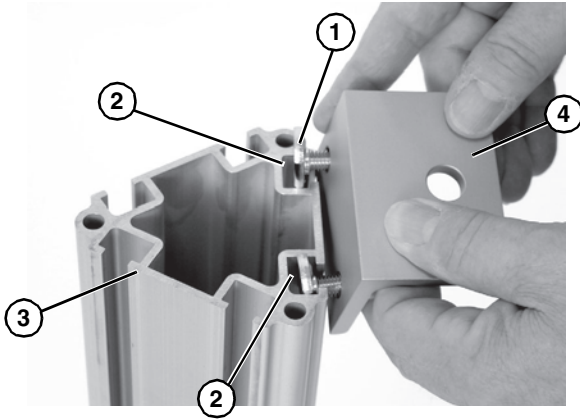
- Open the hardware pack, single post stand (**Figure 10, item 3**).
- Place two socket screws (**Figure 11, item 1**) and nuts (**Figure 11, item 2**) on the three stand foot brackets (**Figure 11, item 3**). Do not tighten.



**Figure 11**

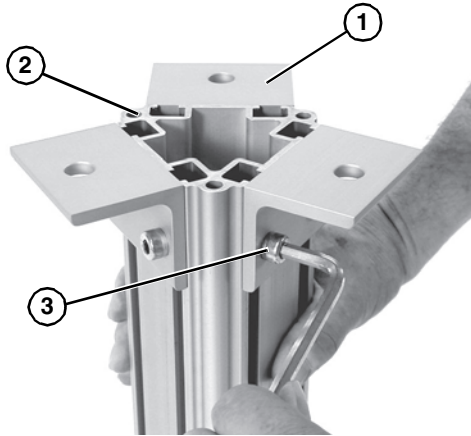
# Installation

- Align nuts (**Figure 12, item 1**) with t-slots (**Figure 12, item 2**) on one side of trileg post (**Figure 12, item 3**). Slide the foot bracket (**Figure 12, item 4**) onto the post.



**Figure 12**

- Align the foot bracket edge (**Figure 13, item 1**) with the bottom edge of the trileg post (**Figure 13, item 2**).

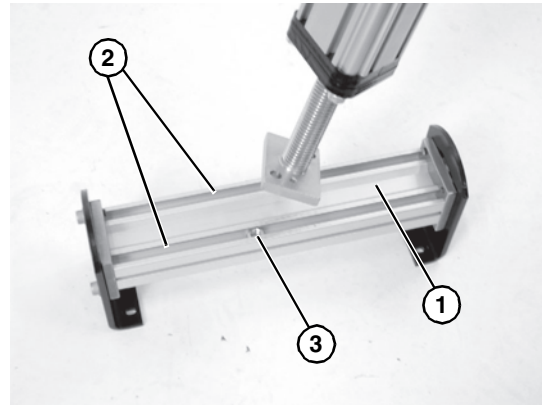


**Figure 13**

<b>⚠ WARNING</b>
<p><b>Failure to secure screws (Figure 13, item 3) may cause conveyor sections to drop down, causing severe injury.</b></p> <p><b>TIGHTEN ALL SCREWS (Figure 13, item 3) AFTER ADJUSTMENT.</b></p>

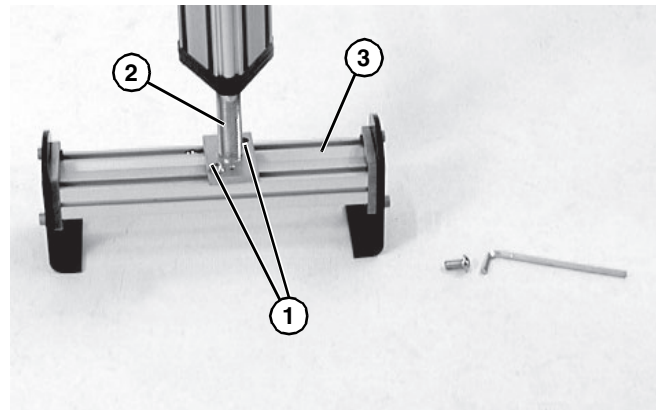
- Tighten socket screws (**Figure 13, item 3**) to 100 in-lb (11 N-m)
- Repeat steps 3 to 6 on other foot brackets.

- Position the conveyor mounting bracket and crossmember tube assembly (**Figure 14, item 1**) so there is access to the underside t-slots (**Figure 14, item 2**) and hex nuts (**Figure 14, item 3**).



**Figure 14**

- Align the screw holes (**Figure 15, item 1**) of the stand top screw end plate (**Figure 15, item 2**) with the hex nuts in the t-slots in the crossmember tube (**Figure 15, item 3**).



**Figure 15**

- Attach the button screws to the hex nuts, do not tighten. Position the stand assembly up right.



11. To center the conveyor mounting bracket (Figure 14, item 3), position the “Attach Here” sticker (Figure 16, item 1) with the end plate (Figure 16, item 2) of the stand top screw assembly.

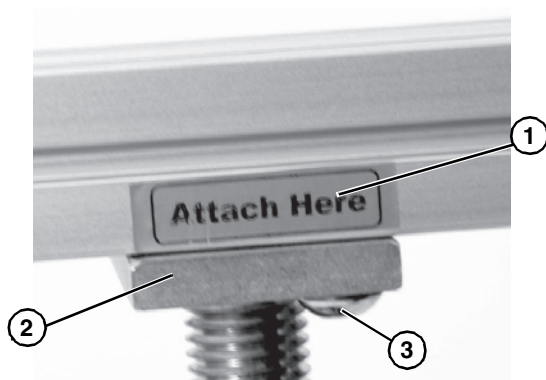


Figure 16

<b>⚠ WARNING</b>	
<b>Failure to secure screws (Figure 16, item 3) may cause conveyor sections to drop down, causing severe injury.</b>	
<b>TIGHTEN ALL SCREWS (Figure 16, item 3) AFTER ADJUSTMENT.</b>	


12. Tighten the button screws (Figure 16, item 3) to 100 in-lb (11 N-m).


# Preventive Maintenance and Adjustment

## Required Tools

- 6 mm Hex Key Wrench
- 5 mm Hex Key Wrench
- 13 mm Open End Wrench

## Conveyor Height Adjustment

<b>⚠ WARNING</b>

<p>Exposed moving parts can cause severe injury. <b>LOCK OUT POWER</b> before removing guards or performing maintenance.</p>

<b>⚠ WARNING</b>

<p>Loosening stand height or angle adjustment screws may cause conveyor sections to drop down, causing severe injury. <b>SUPPORT CONVEYOR SECTIONS PRIOR TO LOOSENING STAND HEIGHT OR ANGLE ADJUSTMENT SCREWS.</b></p>

1. Place temporary support stand (Figure 17, item 1) under conveyor (Figure 17, item 2).

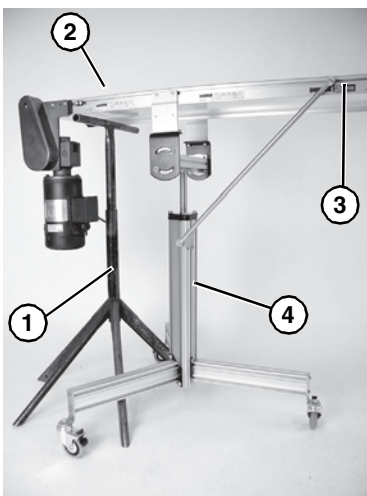


Figure 17

2. If installed, remove diagonal brace hardware (Figure 17, item 3) from the conveyor. Allow brace to rest against the trileg post (Figure 17, item 4).
3. Remove conveyor bracket hardware (Figure 18, item 1) from both conveyor supports (Figure 18, item 2).

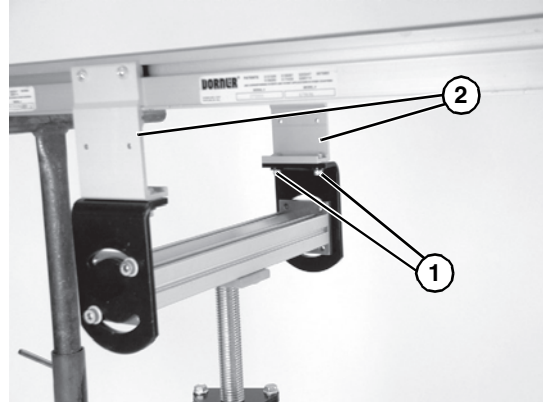


Figure 18

4. Raise the conveyor (Figure 19, item 1) from the conveyor mounting bracket (Figure 19, item 2) by adjusting the temporary stand (Figure 19, item 3) upward.

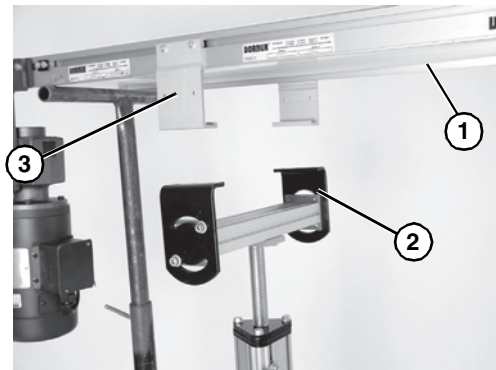


Figure 19

5. Loosen the three tri-lobe hex head screws (Figure 20, item 1).

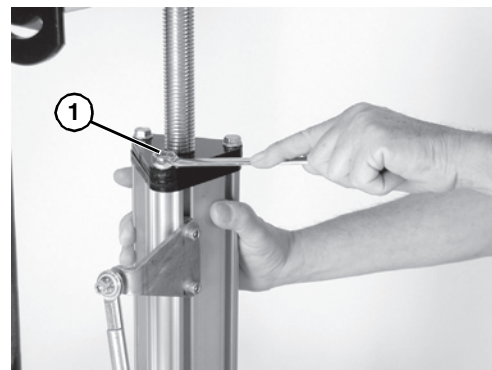


Figure 20

# Preventive Maintenance and Adjustment

- Rotate the conveyor mounting bracket and crossmember tube (Figure 21, item 1) to the proper height.

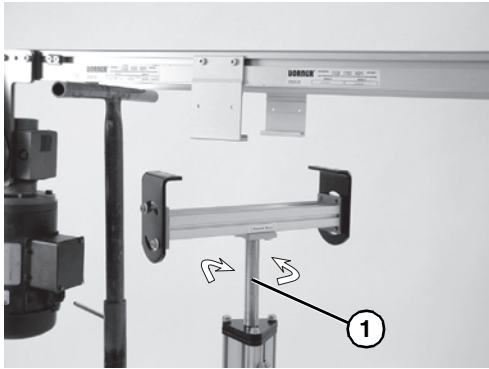


Figure 21

<b>⚠ WARNING</b>
<p>Failure to secure screws (Figure 20, item 1) may cause conveyor sections to drop down, causing severe injury.</p> <p><b>TIGHTEN ALL SCREWS (Figure 20, item 1) AFTER ADJUSTMENT.</b></p>

- Re-tighten tri-lobe hex head screws (Figure 20, item 1) to 100 in-lb (11 N-m).
- Lower conveyor supports (Figure 22, item 1) onto mounting bracket (Figure 22, item 2). Attach conveyor supports to bracket with hardware (Figure 22, item 3).

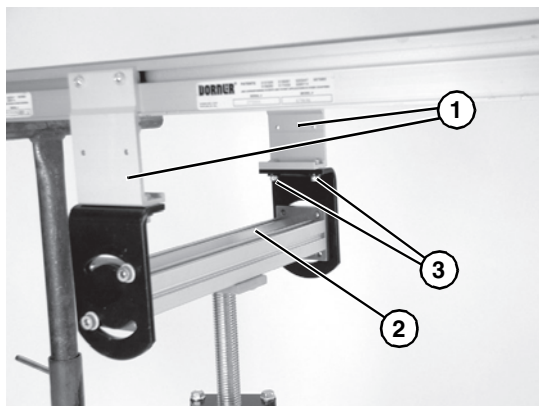


Figure 22

<b>⚠ WARNING</b>
<p>Failure to secure screws (Figure 22, item 3) may cause conveyor sections to drop down, causing severe injury.</p> <p><b>TIGHTEN ALL SCREWS (Figure 22, item 3) AFTER ADJUSTMENT.</b></p>

- Tighten fastening hardware (Figure 22, item 3) to 100 in-lb (11 N-m).

<b>⚠ WARNING</b>
<p>Failure to secure screw (Figure 23, item 2) may cause conveyor sections to drop down, causing severe injury.</p> <p><b>TIGHTEN ALL SCREWS (Figure 23, item 2) AFTER ADJUSTMENT.</b></p>

- If installed, reattach brace (Figure 23, item 1) and tighten brace fastening hardware (Figure 23, item 2) to 100 in-lb (11 N-m).

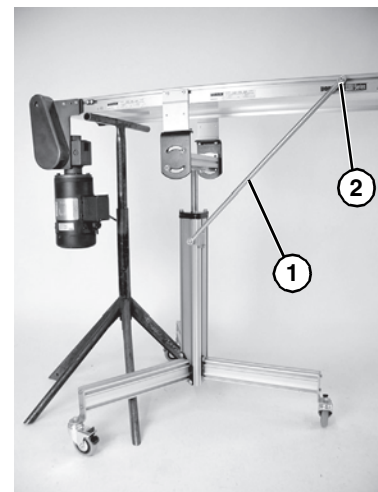



Figure 23

# Preventive Maintenance and Adjustment

## Conveyor Angle Adjustment

<b>⚠ WARNING</b>

<p>Loosening stand height or angle adjustment screws may cause conveyor sections to drop down, causing severe injury.</p> <p><b>SUPPORT CONVEYOR SECTIONS PRIOR TO LOOSENING STAND HEIGHT OR ANGLE ADJUSTMENT SCREWS.</b></p>

<b>NOTE</b>
<p>To rotate stand, screws (Figure 24, item 1) may need to be re-located to other holes in the stand top end plate (Figure 24, item 2).</p>

1. Loosen flange socket screws (Figure 24, item 1) on both sides of stand.

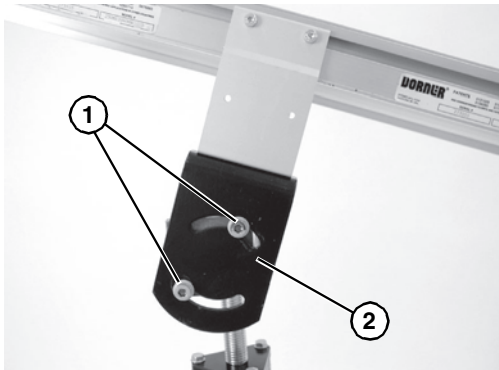


Figure 24

2. If conveyor is equipped with diagonal bracing (Figure 25, item 1), socket screw (Figure 25, item 2) must be loosened to adjust conveyor angle.

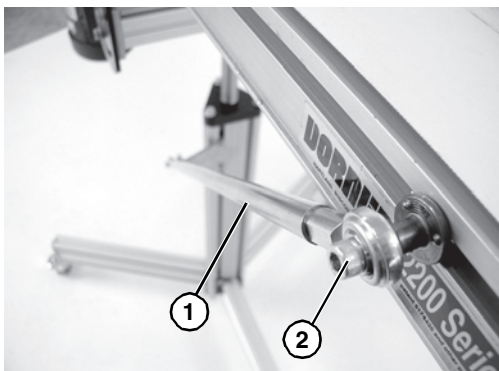



Figure 25


3. Adjust conveyor to desired angle.

<b>⚠ WARNING</b>

<p>Failure to secure screws (Figure 26, item 1) may cause conveyor sections to drop down, causing severe injury.</p> <p><b>TIGHTEN SCREWS (Figure 26, item 1) AFTER ADJUSTMENT.</b></p>

4. Secure flange socket screws (Figure 26, item 1) on both sides of stand to 100 in-lb (11 N-m).



Figure 26

<b>⚠ WARNING</b>

<p>Failure to secure screw (Figure 27, item 2) may cause conveyor sections to drop down, causing severe injury.</p> <p><b>TIGHTEN SCREW (Figure 27, item 2) AFTER ADJUSTMENT.</b></p>

5. If installed, reattach diagonal bracing (Figure 27, item 1) and tighten brace fastening hardware (Figure 27, item 2) to 100 in-lb (11 N-m).

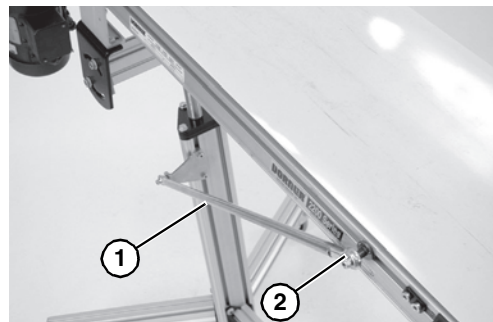
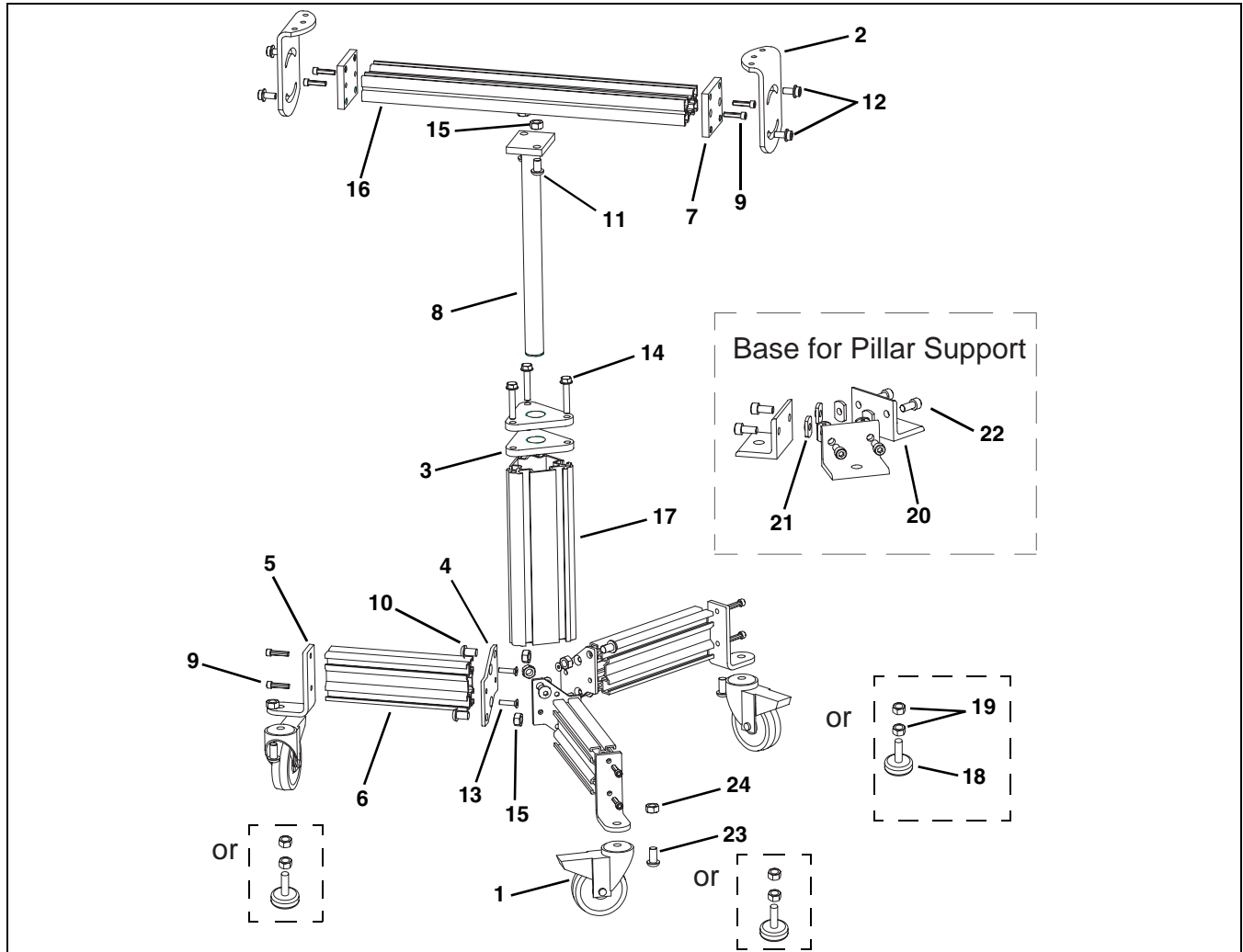


Figure 27

## NOTE

For replacement parts other than those shown on this page, contact an authorized Dorner Service Center or the factory.

## Single Post/Pillar Support Stands



Item	Part Number	Description
1	807-936	Caster, 3"
2	200697	Stand Brackets
	352318	Stand Brackets for 5200 Series 8"-10" Wide
	352310	Stand Brackets for 5200 Series 12" Wide and Over
3	688038	Clamp Plate
4	710048	Crossmember End Plate
5	710049	Angle Foot
6	710214-LLLLL	Stand Leg
7	710222	Top Tube End Plate
8	710231	Top Screw, Assembly
9	708180P	Socket Head Screw, M6-1.00x25mm
10	911016M	Button Head Screw, M10- 1.50x16mm
11	911020M	Button Head Screw, M10-1.50x20mm

Item	Part Number	Description
12	960883M	Flange Socket Head Screw, M8-1.50x16mm
13	930625M	Flat Head Screw, M6-1.00x25mm
14	960899M	Hex Head Screw, M8x40mm
15	991001M	Nut, Hex, M8-1.25
16	710209-LLLLL	Tube, Crossmember
17	687657P-LLLLL	Center Post
18	807-1302	Foot Leveler
19	910-010	Full Hex Nut
20	241650	Stand Foot Bracket
21	990801M-1	Nut, Weld M8x1.25-6H
22	920818M	Socket Head Screw, M8-1.25x18mm
23	931040M	Flat Head Screw, 10 mm x 40 mm
24	807-1303	Locknut, M10
LLLLL = Length in inches with 2 decimal places.		
Length Example: Length = 95.25" LLLLL = 09525		

# Return Policy

Returns must have prior written factory authorization or they will not be accepted. Items that are returned to Dorner without authorization will not be credited nor returned to the original sender. When calling for authorization, please have the following information ready for the Dorner factory representative or your local distributor:

1. Name and address of customer.
2. Dorner part number(s) of item(s) being returned.
3. Reason for return.
4. Customer's original order number used when ordering the item(s).
5. Dorner or distributor invoice number (if available, part serial number).

A representative will discuss action to be taken on the returned items and provide a Returned Goods Authorization (RMA) number for reference. RMA will automatically close 30 days after being issued. To get credit, items must be new and undamaged. There will be a return charge on all items returned for credit, where Dorner was not at fault. It is the customer's responsibility to prevent damage during return shipping. Damaged or modified items will not be accepted. The customer is responsible for return freight.


Product Type									
Standard Products									Engineered to order parts
Product Line	Conveyors	Gearmotors & Mounting Packages	Support Stands	Accessories	Spare Parts (non-belt)	Spare Belts - Standard Flat Fabric	Spare Belts - Cleated & Specialty Fabric	Spare Belts - Plastic Chain	All equipment and parts
1100	30% return fee for all products except: 50% return fee for conveyors with modular belt, cleated belt or specialty belts						non-returnable		case-by-case
2200									
2200 Modular Belt									
2200 Precision Move									
2300									
2300 Modular Belt									
3200									
3200 LPZ									
3200 Precision Move									
4100									
5200									
5300									
6200									
Controls									
7200 / 7300	50% return fee for all products								
7350	non-returnable								
7360									
7400									
7600									

Returns will not be accepted after 60 days from original invoice date. The return charge covers inspection, cleaning, disassembly, disposal and reissuing of components to inventory. If a replacement is needed prior to evaluation of returned item, a purchase order must be issued. Credit (if any) is issued only after return and evaluation is complete.

Dorner has representatives throughout the world. Contact Dorner for the name of your local representative. Our Customer Service Team will gladly help with your questions on Dorner products.

For a copy of Dorner's Warranty, contact factory, distributor, service center or visit our website at [www.dorner.com](http://www.dorner.com).

For replacement parts, contact an authorized Dorner Service Center or the factory.

 <p>Dorner Mfg. Corp. reserves the right to change or discontinue products without notice. All products and services are covered in accordance with our standard warranty. All rights reserved. © Dorner Mfg. Corp. 2013</p>	<p><b>DORNER MFG. CORP.</b>            975 Cottonwood Ave., PO Box 20            Hartland, WI 53029-0020 USA            TEL 1-800-397-8664 (USA)            FAX 1-800-369-2440 (USA)            Internet: <a href="http://www.dorner.com">www.dorner.com</a></p>	<p>Outside the USA:            TEL 1-262-367-7600            FAX 1-262-367-5827</p>
---	--	---