



Common Mount Stand

Installation, Maintenance & Parts Manual



DORNER MFG. CORP.
P.O. Box 20 • 975 Cottonwood Ave.
Hartland, WI 53029-0020 USA

INSIDE THE USA
TEL: 1-800-397-8664
FAX: 1-800-369-2440

OUTSIDE THE USA
TEL: 262-367-7600
FAX: 262-367-5827

For other service manuals visit our website at:
www.dorner.com/service_manuals.asp

Table of Contents

Introduction	2	Required Tools.....	5
Warnings - General Safety	3	Attaching Common Mount to Support Stand	5
Product Description	4	Attaching Common Mount to Conveyor	6
Specifications	4	Service Parts.....	7
Common Mount Stand Models.....	4	Stand Common Mount Option	7
Installation	5	Return Policy.....	8
Installing Common Mount Stand.....	5		

Introduction

IMPORTANT

<i>Some illustrations may show guards removed. Do NOT operate equipment without guards.</i>

Upon receipt of shipment:

- Compare shipment with packing slip. Contact factory regarding discrepancies.
- Inspect packages for shipping damage. Contact carrier regarding damage.
- Accessories may be shipped loose. See accessory instructions for installation.

Dorner's Limited Warranty applies.

Dorner reserves the right to make changes at any time without notice or obligation.

Warnings - General Safety

⚠ WARNING

The safety alert symbol, black triangle with white exclamation, is used to alert you to potential personal injury hazards.

⚠ DANGER




Climbing, sitting, walking or riding on conveyor will cause severe injury.
KEEP OFF CONVEYORS.

⚠ DANGER



DO NOT OPERATE CONVEYORS IN AN EXPLOSIVE ENVIRONMENT.


⚠ WARNING



Dorner cannot control the physical installation and application of conveyors. Taking protective measures is the responsibility of the user.

When conveyors are used in conjunction with other equipment or as part of a multiple conveyor system, **CHECK FOR POTENTIAL PINCH POINTS** and other mechanical hazards before system start-up.

⚠ WARNING



Exposed moving parts can cause severe injury.
LOCK OUT POWER before removing guards or performing maintenance.

⚠ WARNING




Loosening stand height or angle adjustment screws may cause conveyor sections to drop down, causing severe injury.

When conveyors are used in conjunction with other equipment or as part of a multiple conveyor system, **CHECK FOR POTENTIAL PINCH POINTS** and other mechanical hazards before system start-up.

SUPPORT CONVEYOR SECTIONS PRIOR TO LOOSENING STAND HEIGHT OR ANGLE ADJUSTMENT SCREWS.

⚠ DANGER



Supports marked with this symbol must be anchored to the floor. Supports not anchored to floor will tip, causing severe injury or death.

SUPPORT MUST BE ANCHORED TO FLOOR.

Product Description

Refer to Figure 1 for typical stand components.

A	Common Mount Stand Crossmember
B	Common Mount Stand Pivot Bracket (2x)
C	Conveyors and Mounting Brackets
D	Stand Assembly
E	Angle Adjustment Point

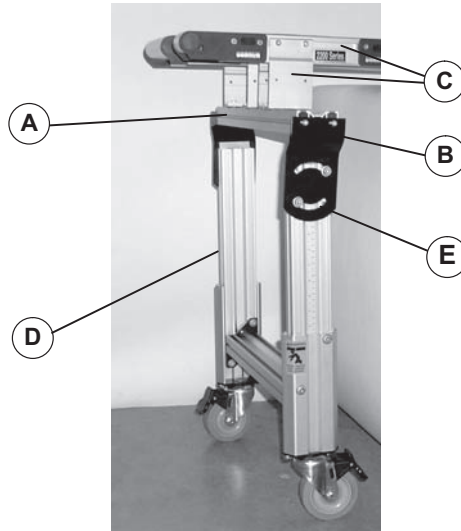
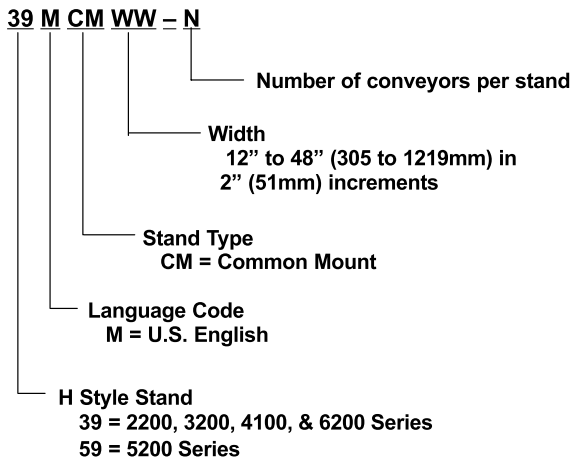


Figure 1

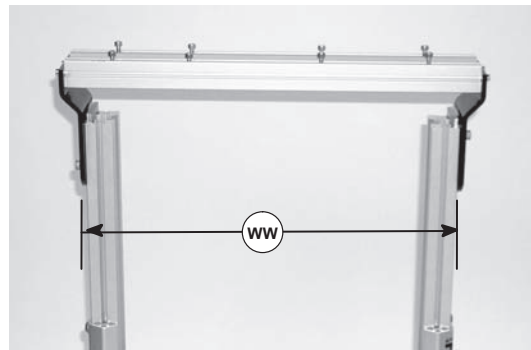
Specifications

Common Mount Stand Models




Example: 39MCM18-2

Common mount stand for an H style stand to mount up to two conveyors in parallel. It has U.S. English documentation and includes hardware to attach conveyor mounting brackets to common mount stand crossmember.



⚠ WARNING



Exposed moving parts can cause severe injury.
LOCK OUT POWER before removing guards or performing maintenance.

Installing Common Mount Stand

Required Tools

- 5 mm and 6 mm Hex Key Wrenches
- Torque Wrench

1. Typical components (Figure 2).

F	Crossmember Assembly
G	T-Bar Drop-In (4x per conveyor)
H	M6-1.0x16 Socket Head Cap Screw (4x per conveyor)

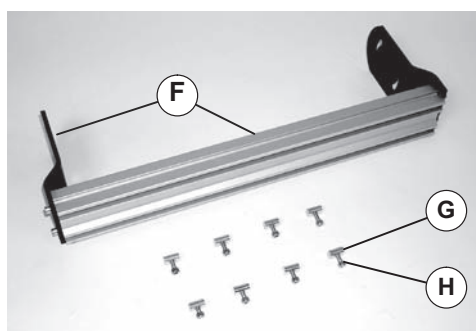


Figure 2

Attaching Common Mount to Support Stand

NOTE

Figure 3 shows a 2" (51mm) to 12" (305mm) stand mounting bracket (L). Removal of the two stand mounting brackets used with support stands wider than 12" (305mm) is similar.

1. Place a support (Figure 3, item I) below conveyor.

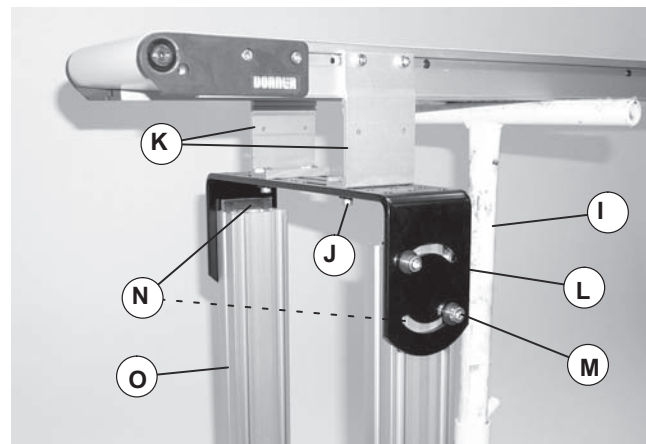


Figure 3

2. Remove square nuts, washers and socket head screws (J) from conveyor mounting brackets (K) and stand mounting bracket (L).
3. Remove and retain four M8 socket head screws (M) from stand mounting bracket (L) and u-nuts (N). Discard stand mounting bracket.
4. Make sure u-nuts (N) are located in outer t-slots of stand legs (O).

NOTE

Some early style conveyor mounting brackets (Figure 4, item P) have a different hole pattern and will not attach to the common mount stand crossmember. If necessary, replace early style brackets with later style brackets (K).

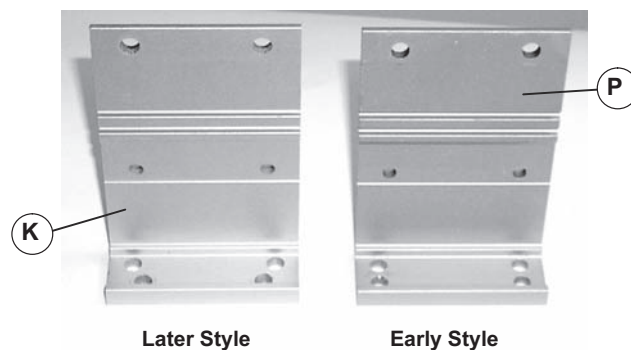


Figure 4

Installation

⚠ WARNING



Failure to secure screws (Figure 5, item M) may cause conveyor sections to drop down causing severe injury.

TIGHTEN SCREWS (M) AFTER ADJUSTMENT.

5. Align two crossmember mounting brackets (Figure 5, item B) with two u-nuts (N). Install four M8 flange socket head screws (M) through brackets and into u-nuts. Tighten screws to 150 in-lb (17 N-m).

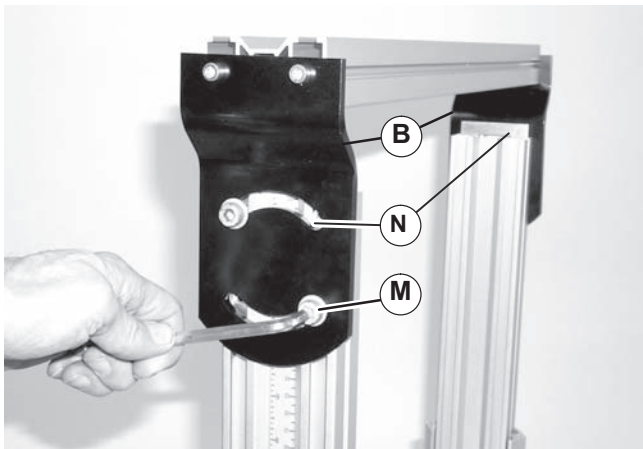


Figure 5

6. For leveling and height adjustment see Stand Installation, Maintenance and Parts Manual.

Attaching Common Mount to Conveyor

NOTE

When installing three or more conveyors on common mount, attach the inner conveyor(s) first.

1. Slide two t-bar drop-ins (Figure 6, item G) into each channel in crossmember (A).

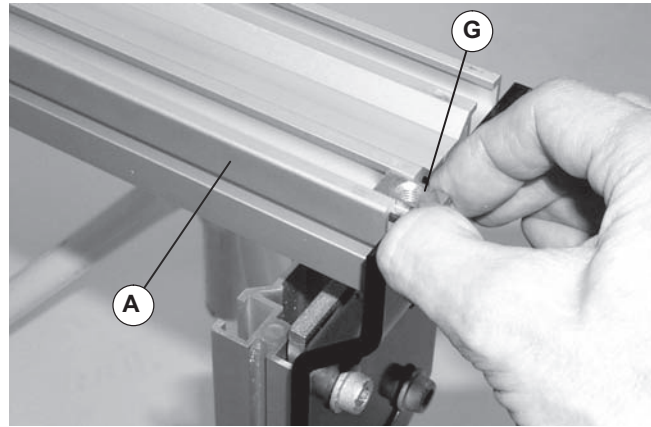


Figure 6

2. Install socket head screw (Figure 7, item H) through inner hole (Q) in conveyor mounting bracket (K) and into t-bar drop-in (G).

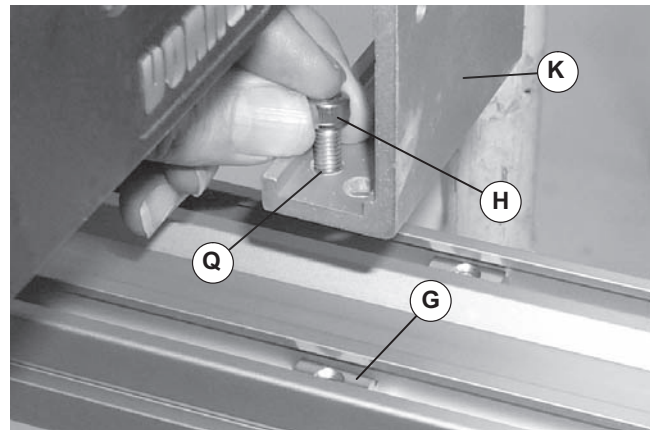



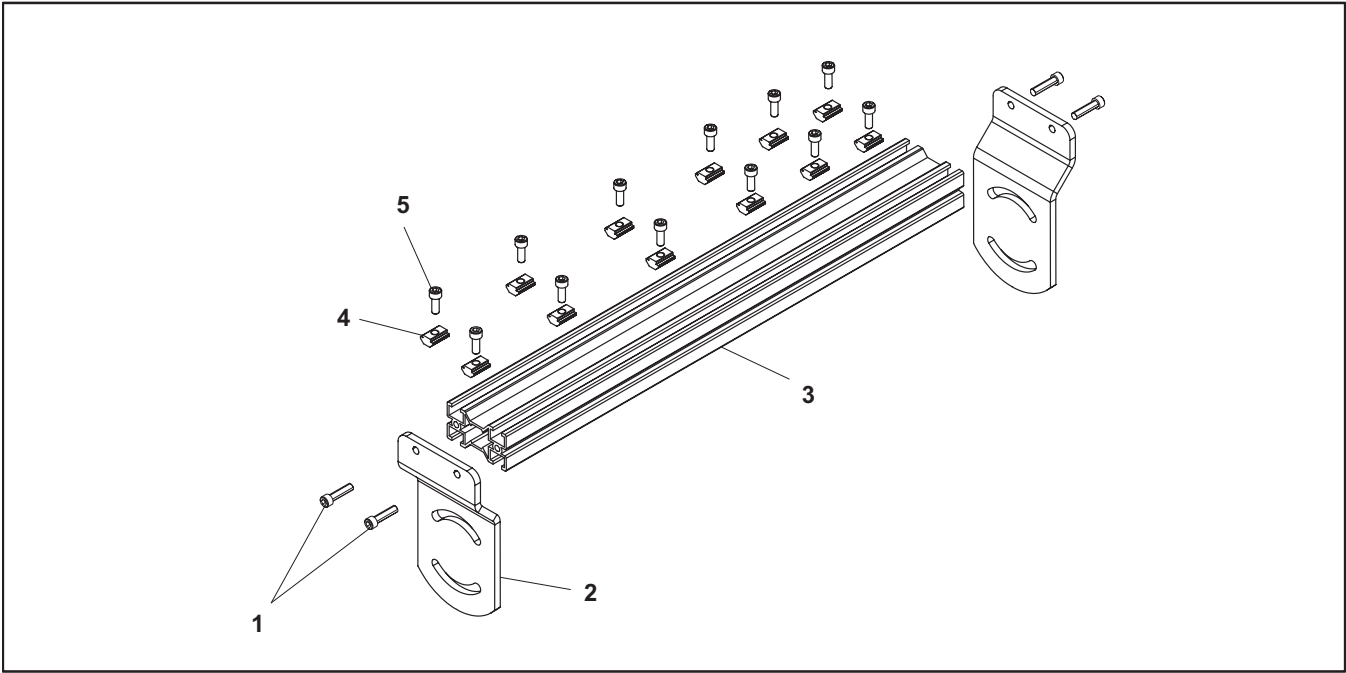
Figure 7

3. Repeat step 2 for three remaining drop-ins.
4. Repeat steps 1 through 3 for other conveyor mounting bracket(s). Tighten screws (H) to 80 in-lb (9 N-m).
5. For leveling and height adjustment see Stand Installation, Maintenance and Parts Manual.

NOTE

For replacement parts other than those shown in this section, contact an authorized Dorner Service Center or the factory. Key Service Parts and Kits are identified by the Performance Parts Kits logo . Dorner recommends keeping these parts on hand.

Stand Common Mount Option



Item	Part Number	Description
1	708180P	Screw, Trilobe, M6-1.0x25MM
2	300825M	Bracket, Pivot
3	See Crossmember Table	Stand Crossmember
4	639971M	T-Bar, Drop-In, Single
5	920616M	Screw, Socket Head, M6-1.0x16MM

Item 3: Crossmember Table	
Stand Width	Crossmember Part Number
12" (305mm)	710210-01479
14" (356mm)	710210-01679
16" (406mm)	710210-01879
18" (457mm)	710210-02076
20" (508mm)	710210-02279
22" (559mm)	710210-02479
24" (610mm)	710210-02679
26" (660mm)	710210-02879
28" (711mm)	710210-03079
30" (762mm)	710210-03279
32" (813mm)	710210-03479
34" (864mm)	710210-03679
36" (915mm)	710210-03879
38" (966mm)	710210-04079
40" (1016mm)	710210-04279
42" (1067mm)	710210-04479
44" (1118mm)	710210-04679
46" (1169mm)	710210-04879
48" (1220mm)	710210-05079

Return Policy

Returns must have prior written factory authorization or they will not be accepted. Items that are returned to Dorner without authorization will not be credited nor returned to the original sender. When calling for authorization, please have the following information ready for the Dorner factory representative or your local distributor:

1. Name and address of customer.
2. Dorner part number(s) of item(s) being returned.
3. Reason for return.
4. Customer's original order number used when ordering the item(s).
5. Dorner or distributor invoice number (if available, part serial number).

A representative will discuss action to be taken on the returned items and provide a Returned Goods Authorization (RMA) number for reference. RMA will automatically close 30 days after being issued. To get credit, items must be new and undamaged. There will be a return charge on all items returned for credit, where Dorner was not at fault. It is the customer's responsibility to prevent damage during return shipping. Damaged or modified items will not be accepted. The customer is responsible for return freight.

Conveyors and conveyor accessories

Standard catalog conveyors	30%
MPB, 7200, 7300 Series, cleated and specialty belt	50%
AquaGard & AquaPruf Series conveyors	non-returnable items
Engineered to order products	case by case
Drives and accessories	30%
Sanitary stand supports	non-returnable items

Parts

Standard stock parts	30%
Plastic chain, cleated and specialty belts	non-returnable items

Returns will not be accepted after 60 days from original invoice date. The return charge covers inspection, cleaning, disassembly, disposal and reissuing of components to inventory. If a replacement is needed prior to evaluation of returned item, a purchase order must be issued. Credit (if any) is issued only after return and evaluation is complete.

Dorner has representatives throughout the world. Contact Dorner for the name of your local representative. Our Customer Service Team will gladly help with your questions on Dorner products.

For a copy of Dorner's Warranty, contact factory, distributor, service center or visit our website at www.dorner.com.

For replacement parts, contact an authorized Dorner Service Center or the factory.



Dorner Mfg. Corp. reserves the right to change or discontinue products without notice. All products and services are covered in accordance with our standard warranty. All rights reserved. © Dorner Mfg. Corp. 2010

DORNER MFG. CORP.

975 Cottonwood Ave., PO Box 20
Hartland, WI 53029-0020 USA
TEL 1-800-397-8664 (USA)
FAX 1-800-369-2440 (USA)
Internet: www.dorner.com

Outside the USA:
TEL 1-262-367-7600
FAX 1-262-367-5827