

Superior V-Guided
Belt Tracking

Universal Motor &
Mounting Package

Fast & Simple to Use
Online Configurator

Industry-Best
Product Transfers



2200 SERIES CONVEYORS

Low Profile, High Performance,
Fabric & Modular Belt Conveyors

DORNER[®] 

2200 Series Conveyors are best for:

- Small to Medium Part Handling
- Transfers
- Accumulation
- Precision Part Movement
- Part Incline/Decline Routing (Z Frames)
- Positioning
- Automated and Manual Assembly

Sizes & Measurements

- 25 mm - 610 mm (1 in - 24 in) widths
- 457 mm - 9144 mm (18 in - 30 ft) lengths

Loads & Speeds

- Up to 68 kg (150 lbs)
- Up to 122 mpm (400 fpm)



Conveyor Configurations



Straight



Z-Frame



Horizontal to Incline



Nose-Over

Fabric Belt Types

- Flat Belt
- Cleated Belt



Flat Belt



Flat Belt Cleated

Precision Move Belt Types

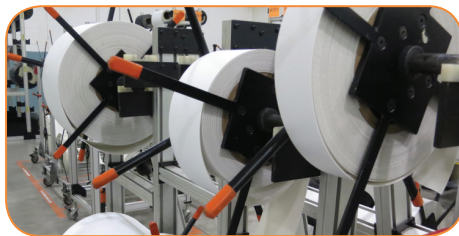
- Precision Move
- Precision Move Cleated



Precision Move

In-House Fabrication Capability

- Large Quantity of Stocked Materials
- Continuous V-Guiding
- Water Cooled Belt Splicing
- RF Cleat Welding
- Hole Punching

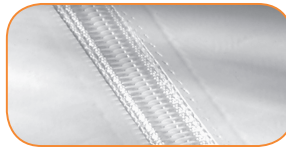


Splicing



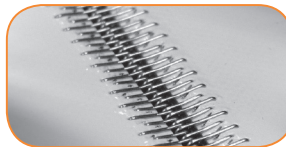
Finger Splice

All belts are available with a standard Thermoformed finger splice. This splice makes the belt continuous and is virtually undetectable.



Plastic Clipper

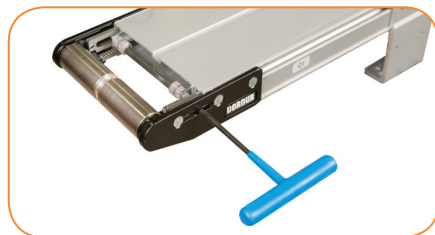
An optional plastic clipper splice is available for quick removal of belts or when conveyors are installed in tight spaces.



Metal Clipper

An optional metal clipper splice is also available for quick removal of belts or when conveyors are installed in tight spaces.

Rack & Pinion Belt Tensioning



Precise V-Guided Belting



Unique Precision Move Reverse V-Guiding

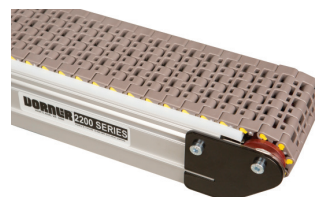


Modular Belt Types

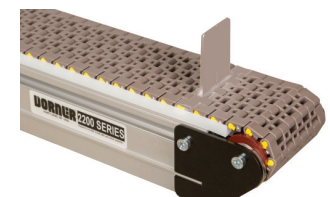
- Micropitch Closed Mesh
- Micropitch Open Mesh
- Metalworking Closed Mesh
- Metalworking Open Mesh
- Metalworking Cleated



Micropitch Closed Mesh



Metalworking



Metalworking Cleated

Roller Conveyors

- Single piece frame lengths to 3.6 m (12 ft) long
- Rollers: 25 mm (1 in) diameter rollers on 31 mm (1.2 in), 61 mm (2.4 in) or 91 mm (3.6 in) centers



Nose Bar Transfers

Modular Belt



8 mm (0.31 in) Nose Bar Transfer Tails with belt speeds up to 53 m/min (175 ft/min)

Fabric Belt

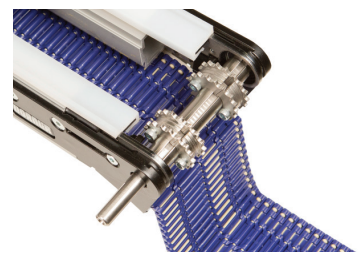


16 mm (5/8 in) High Speed Nose Bar Transfer Tail with belt speeds up to 61 m/min (200 ft/min)

Frame Construction

Modular Belt Frames

Rugged open frame design for water and chemical drainage and air cooling



Belted Frames

Durable, hard anodized, aluminum frames. Single piece frames up to 305 mm (12 in) wide. Multi-piece frames up to 610 mm (24 in) wide



Multi-piece

Drive Types



End Drive



Center Drive



iDrive®



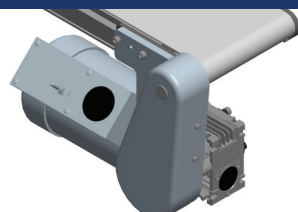
Mid Drive

Common Drives Also Available

Motors & Controls



Small Gearmotors



Standard Load Gearmotors



Servo Gearboxes



VFD Control

Additional Options Available

Guiding

Multiple Guiding Options

- Low Side
- Aluminum Side
- Tool-less Adjustable
- Adjustable Outboard
- Extruded Plastic
- And More!



Cleated LPZ Aluminum Side Guiding



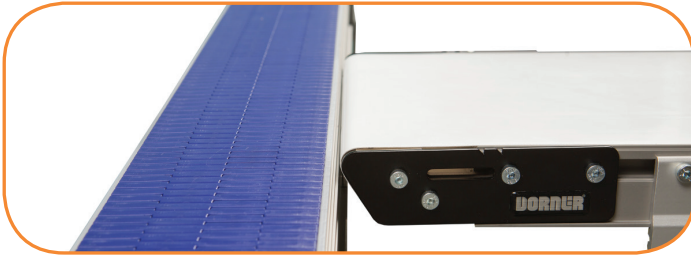
Adjustable Guiding

Stands

Multiple Stand Options

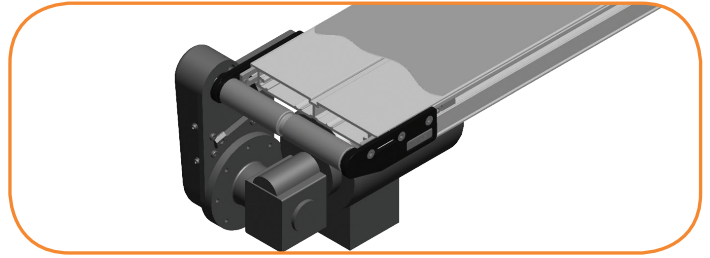
- Fixed Height Support Stands
- Adjustable Height Support Stands
- And More!





High Speed Nose Bar Transfers

- 16 mm (5/8 in) Nose Bar safely transfers small parts at speeds up to 61 m/min (200 ft/min) and features V-Guided Belting for accurate belt tracking



V-Guided Belt Tracking

- The industry's first low profile V-Guided conveyor, eliminates startup belt tracking and keeps the belt running straight



Sleek Frame Designs

- Sturdy single piece frame construction with a universal T-Slot allows for fast and simple attachment of accessories and guiding with a variety of industry available hardware



Precision Move

- Provides accurate alignment of both time and distance to move products efficiently in assembly automation applications



iDrive

- The industry's most compact drive saves space and reduces integration time



LPZs

- Sleek, low profile Z-Frame Conveyors are ideal for product elevation changes and can easily fit under machinery

The Benefits of a Dorner 2200 Series Conveyor

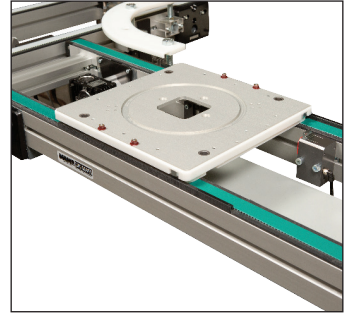
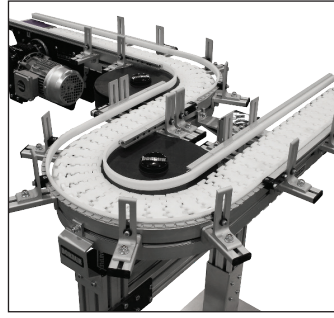
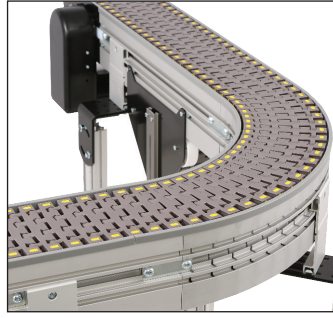
Low Maintenance

- Dorner's Industry Best V-Guiding provides positive belt tracking, even under demanding side load applications
- Precise rack and pinion belt tensioning allows for fast and simple tensioning
- Sealed for life bearings reduces maintenance
- Universal Drive provides flexibility in design layout and simplicity in spare part management

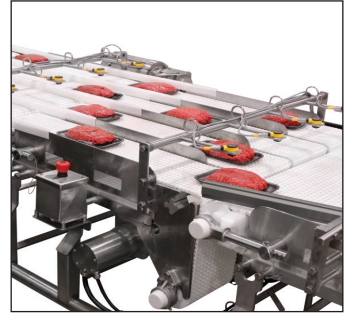
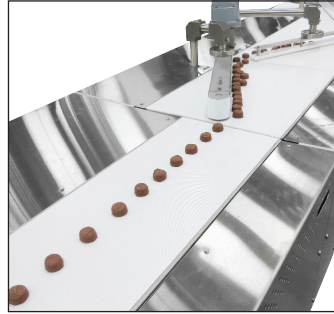
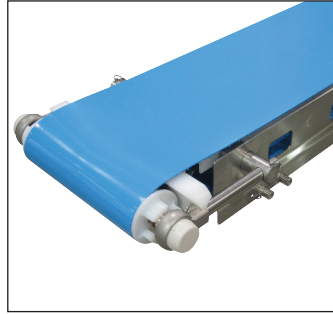
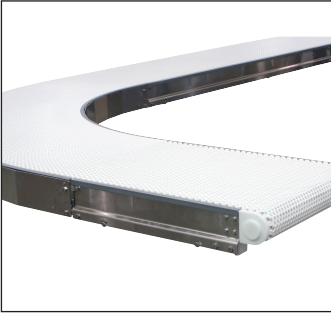
Time Saving

- Dorner's online configurator engineers simple or complex conveyors to meet your needs in minutes
- The industry leading tool delivers a complete 3D CAD assembly model for instant validation of fit
- Dorner provides the industry's fastest lead times with conveyors shipping in as little as 3 business days

Industrial & Automation Conveyors



Sanitary Conveyors



Engineered Solutions



Parts

Service

Online Configurator

Warranty

Transforming Conveyor Automation

Dorner – North & South America

Dorner – U.S.A.

Headquarters
975 Cottonwood Ave
Hartland, WI 53029, USA
(800) 397-8664
(262) 367-7600
info@dorner.com

Dorner – Canada

100-5515 North Service Road
Burlington, Ontario L7L 6G6
Canada
(289) 208-7306
info@dorner.com

Dorner – Latin America

Carretera a Nogales #5297,
Nave 11. Parque Industrial Nogales
Zapopan, Jalisco C.P. 45222
Mexico
+52.33.30037400
info.latinamerica@dorner.com



Dorner – Europe

Dorner – Germany

Karl-Heinz-Beckurts-Straße 7
52428 Jülich,
Germany
+49 (0) 2461/93767-0
info.europe@dorner.com

Dorner – France

8-10 Rue de Nieuport
78140 Vélizy-Villacoublay,
France
+33 (0)1 84 73 24 27
info.france@dorner.com

Dorner – Asia

128 Jalan Permatang Damar Laut, Bayan Lepas 11960
Penang, Malaysia
+604-626-2948 | info.asia@dorner.com



www.dornerconveyors.com