

Adjustable Lane Guiding for 2100 Series, 3100 Series & 6100 Series Flat Belt Conveyors

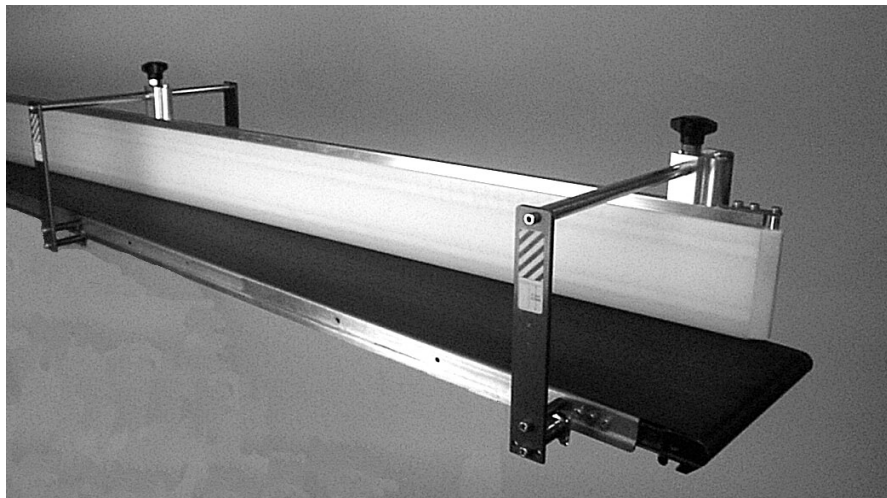
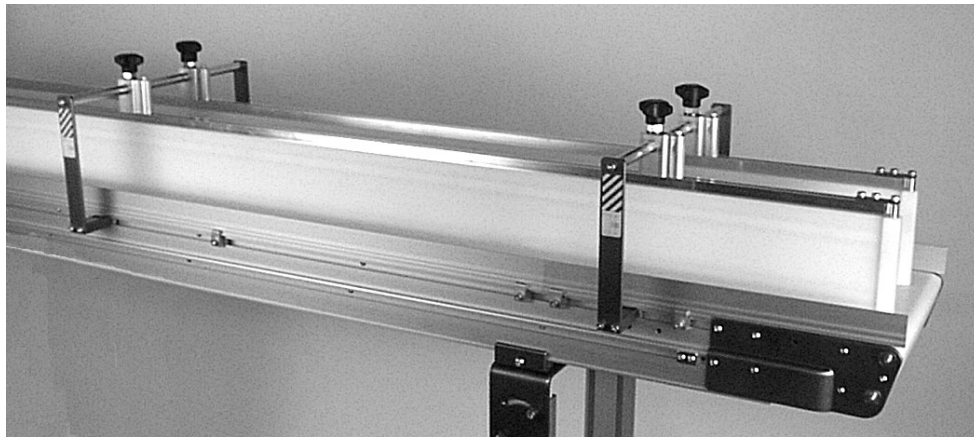


Table of Contents

Warnings – General Safety	2	2100 or 3100 Series Lane Package	4
Introduction	2	6100 Series Lane Package	5
Product Description	3	Lane Guide Attachment	6
Specifications	3	Preventative Maintenance & Adjustment	7
Models	3	Required Tools	7
Specifications	3	Service Parts	8
Installation	4	Return Policy	8
Required Tools	4		

Warnings – General Safety

	WARNING	
<p>The safety alert symbol, black triangle with white exclamation, is used to alert you to potential personal injury hazards.</p>		

<p>5" MAX. (127 mm)</p>		WARNING
<p>Maximum product height is 5" (127 mm). FAILURE TO LIMIT PRODUCT HEIGHT WILL CAUSE PERSONAL INJURY.</p>		

		DANGER
<p>Climbing, sitting, walking or riding on conveyor will cause severe injury. KEEP OFF CONVEYORS.</p>		

		WARNING
<p>Dorner cannot control the physical installation and application of conveyors. Taking protective measures is the responsibility of the user.</p> <p>When conveyors are used in conjunction with other equipment or as part of a multiple conveyor system, CHECK FOR POTENTIAL PINCH POINTS and other mechanical hazards before system start-up.</p>		

		DANGER
<p>DO NOT OPERATE CONVEYORS IN AN EXPLOSIVE ENVIRONMENT.</p>		

		WARNING
<p>Exposed moving parts can cause severe injury. LOCK OUT POWER before removing guards or performing maintenance.</p>		

		WARNING
<p>Exposed moving parts can cause severe injury. DO NOT MAKE GUIDE ADJUSTMENTS WITH CONVEYOR RUNNING.</p>		

Introduction

IMPORTANT: Some illustrations may show guards removed. Do NOT operate equipment without guards.

Upon receipt of shipment:

- Compare shipment with packing slip. Contact factory regarding discrepancies.
- Inspect packages for shipping damage. Contact carrier regarding damage.

- Accessories may be shipped loose. See accessory instructions for installation.

Dorner conveyors are covered by Patent Nos. 5,131,529, 5,156,260, 5,156,261, 5,174,435, 5,203,447, 5,265,714, 5,875,883, and corresponding patents and patent applications in other countries.

Dorner's Limited Warranty applies.

Dorner reserves the right to make changes at any time without notice or obligation.

Product Description

Adjustable lane guiding is a universal package. The following are application examples:

- Multiple lanes on 3100 Series conveyor (Figure 1)
- Diverting Lane on 6100 Series conveyor (Figure 2)

Typical Components

- | | |
|---|-----------------------|
| A | Adjustable Lane |
| B | Crossbar & Positioner |
| C | Support Bracket |

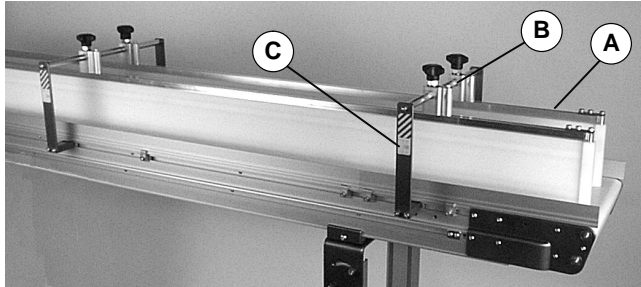


Figure 1

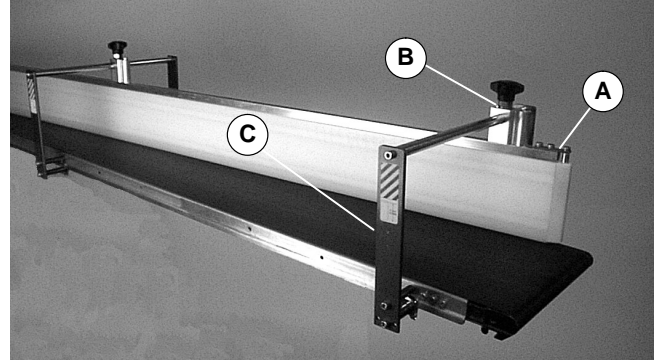


Figure 2

NOTE: Belt tracking guides (part # 201250M or equivalent) are recommended for 2100/3100 Series conveyors when using guide to divert product.

Product diverting is not recommended on /03 soft top FDA belts or /04 gray friction belts.

Specifications

Models:

27M XXX- WW LL

- XXX - Conveyor Length Reference*
- WW - Conveyor Width Reference*
- LL - Conveyor Length Reference*

500 = Lane Pkg. for 2100 and 3100 Series
 501 = Lane Pkg. for 6100 Series
 502 = Additional Lane Pkg for 2100/3100/6100 Conveyor (Do not complete "WW" portion of part number)

* See "Ordering and Specifications" Catalog for details.

Specifications:

- Available in standard 1-ft (305 mm) increments
- 0.25" (6 mm) minimum lane width

- Product height
 - 5" (127 mm) maximum
 - 0.25" (6 mm) minimum
- Guide support maximum distances (see Figure 3)
 - D = 36" (914 mm) maximum
 - E = 18" (457 mm) maximum

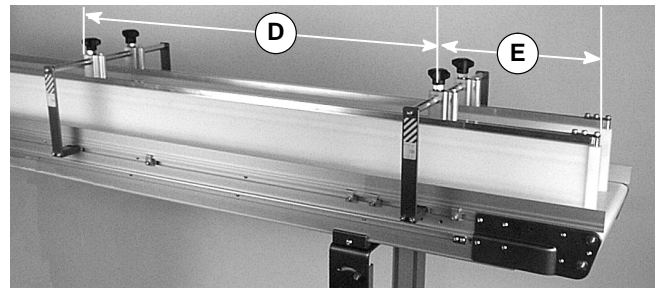



Figure 3

Installation

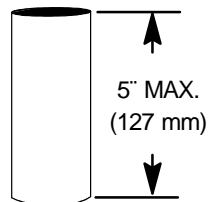
Required Tools

- 5 mm hex key wrench
- Torque wrench

2100 or 3100 Series Lane Package



! WARNING
Exposed moving parts can cause severe injury.
LOCK OUT POWER before removing guards or performing maintenance.



! WARNING
Maximum product height is 5" (127 mm).
FAILURE TO LIMIT PRODUCT HEIGHT WILL CAUSE PERSONAL INJURY.



! WARNING
Exposed moving parts can cause severe injury.
DO NOT MAKE GUIDE ADJUSTMENTS WITH CONVEYOR RUNNING.

1. Typical components (Figure 4)

NOTE: Quantities vary depending on accessory length.

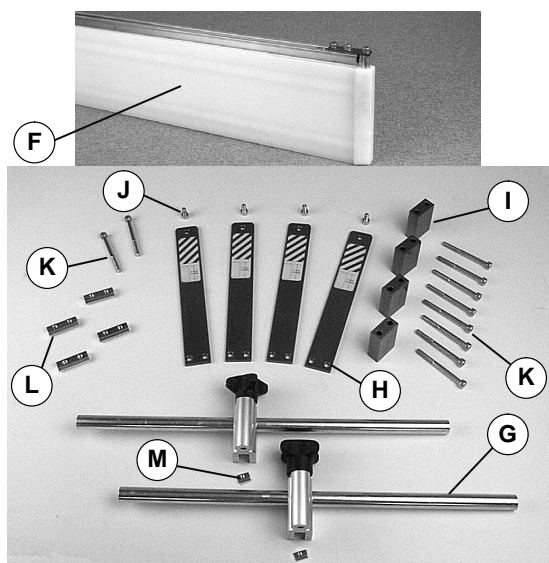


Figure 4

Illustration References	
F	Lane Guide
G	Crossbars & Positioners
H	Support Brackets
I	Spacers
J	M6 x 16 mm Socket Head Screws
K	M6 x 65 mm Socket Head Screws
L	T-bars
M	Square Nuts

2. Install T-bar (L of Figure 5) in each side of conveyor.

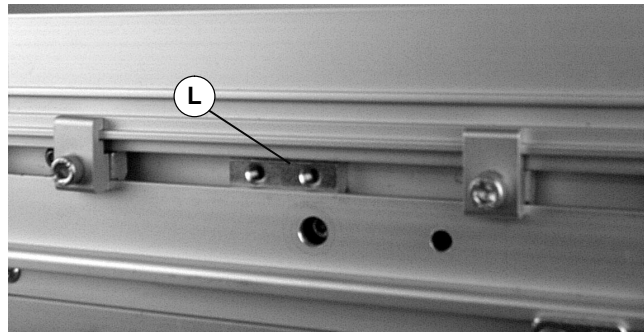


Figure 5

3. Loosely attach support bracket (H of Figure 6) and spacer (I) to T-bar (L) with screws (K).

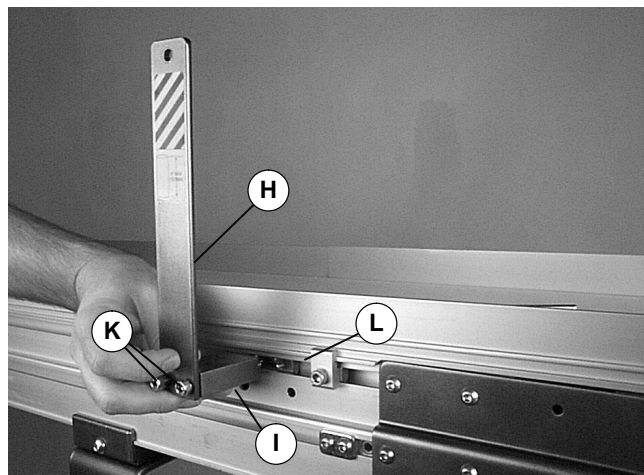


Figure 6

4. Repeat step 3 for other side of conveyor.

- Loosely attach crossbar & positioner (G of Figure 7) to support brackets (H) with screws (J).

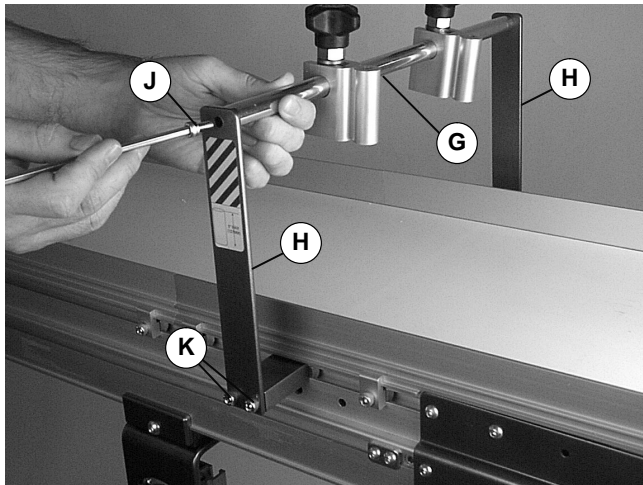


Figure 7

- Align brackets (H) on each side of conveyor and tighten screws (J & K) to 146 in-lb (16 Nm).
- Repeat steps 2 through 6 for additional lane support(s).
- Attach lane guide. See “Lane Guide Attachment” section on page 6.

6100 Series Lane Package

		<h3>WARNING</h3>
	<p>Exposed moving parts can cause severe injury. LOCK OUT POWER before removing guards or performing maintenance.</p>	

<p>5" MAX. (127 mm)</p>		<h3>WARNING</h3>
	<p>Maximum product height is 5" (127 mm). FAILURE TO LIMIT PRODUCT HEIGHT WILL CAUSE PERSONAL INJURY.</p>	

		<h3>WARNING</h3>
	<p>Exposed moving parts can cause severe injury. DO NOT MAKE GUIDE ADJUSTMENTS WITH CONVEYOR RUNNING.</p>	

- Typical components (Figure 8)

NOTE: Quantities vary depending on accessory length.

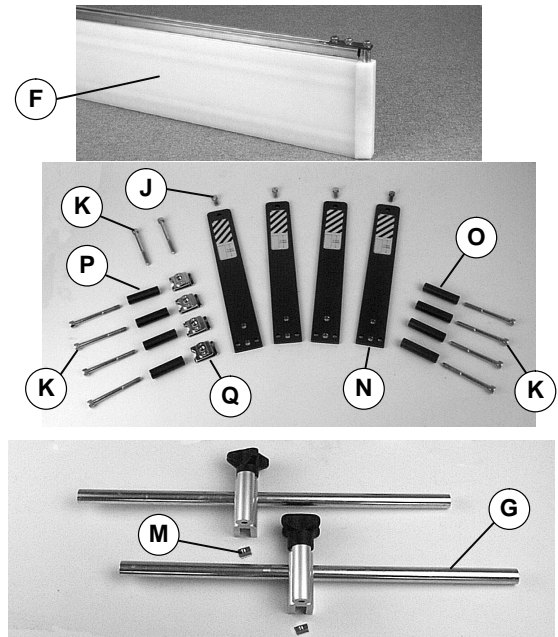


Figure 8

Illustration References

F	Lane Guide
G	Crossbars & Positioners
J	M6 x 16 mm Socket Head Screws
K	M6 x 65 mm Socket Head Screws
M	Square Nuts
N	Support Brackets
O	Upper Spacers - Longer
P	Lower Spacers - Shorter
Q	Mounting Clips

- Attach mounting clip (Q of Figure 9) on each side of conveyor.

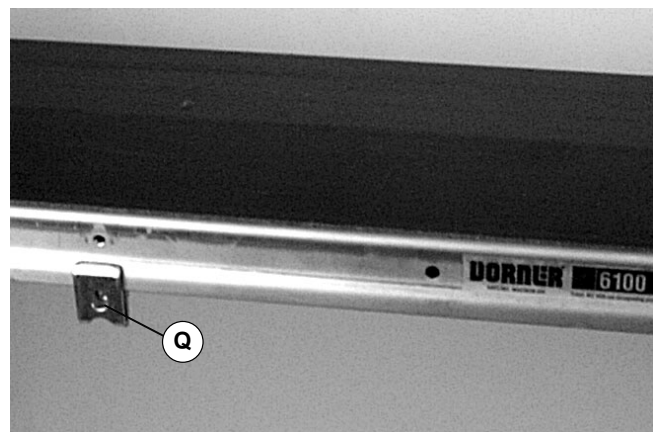


Figure 9

Installation

- Loosely attach support bracket (N of Figure 10) with screw (K) and spacer (O) in upper hole of bracket and tapped hole in conveyor.

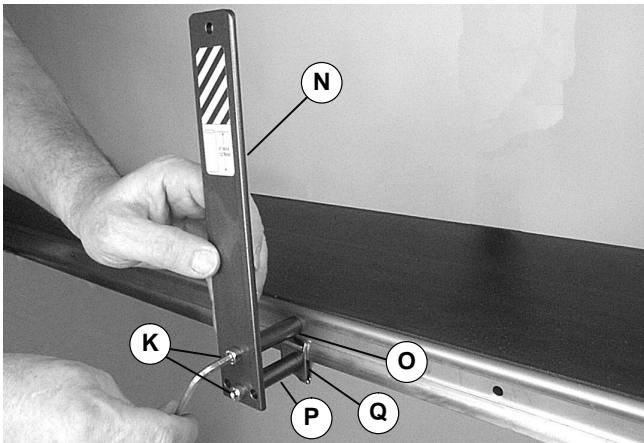


Figure 10

- Loosely install screw (K) and spacer (P) in lower hole of bracket and mounting clip (Q).
- Repeat steps 3 & 4 for other side of conveyor.
- Loosely attach crossbar & positioner (G of Figure 11) to support brackets (N) with screws (J).

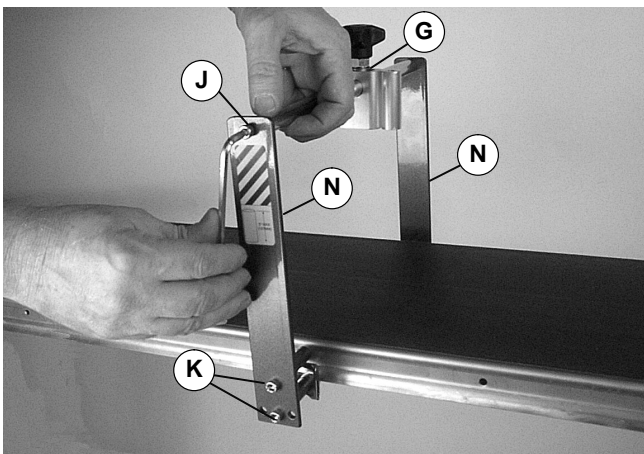
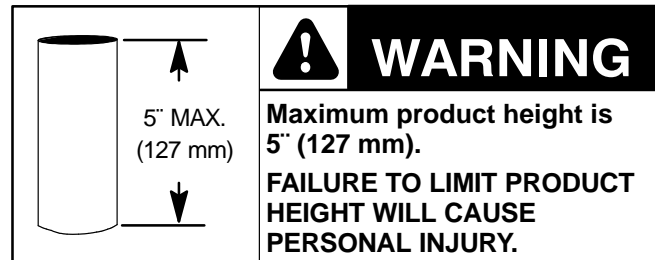
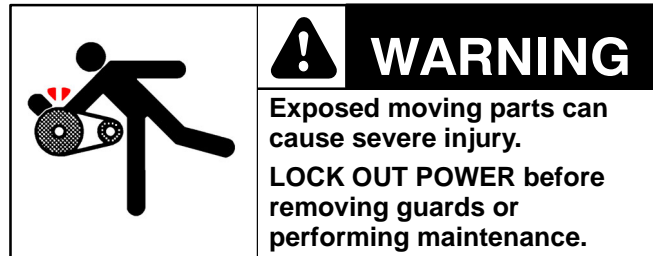


Figure 11

- Align brackets (N) on each side of conveyor and tighten screws (J & K) to 146 in-lb (16 Nm).
- Repeat steps 3 through 7 for additional lane support(s).
- Attach lane guide. See next section.

Lane Guide Attachment



- Install square nuts (M of Figure 12) in each lane guide (F). Position each nut to its approximate mounting location.

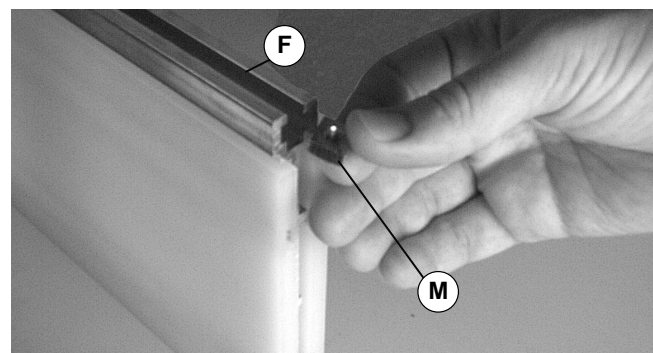


Figure 12

NOTE: Position lane so that lead-in guide (R of Figure 13) matches flow as shown.

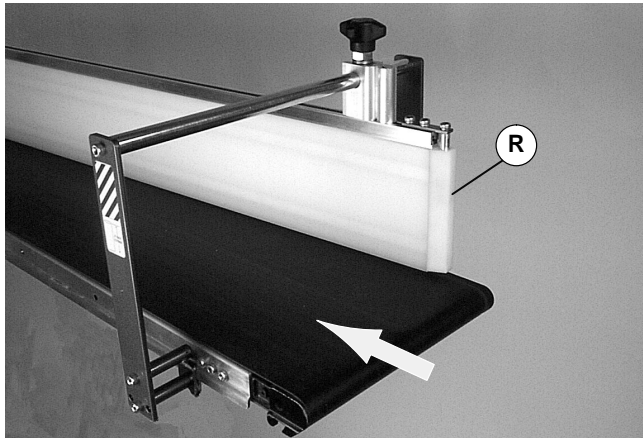


Figure 13

2. Loosely attach positioner (S of Figure 14) to square nut (M) in lane guide (F) with screw (K).

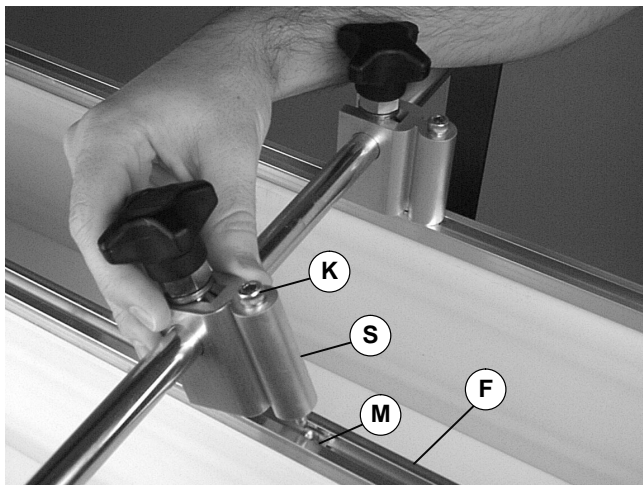


Figure 14

3. Repeat step 2 at every lane support location.

NOTE: Lane positioner knob (T of Figure 15) may be re-located as shown.

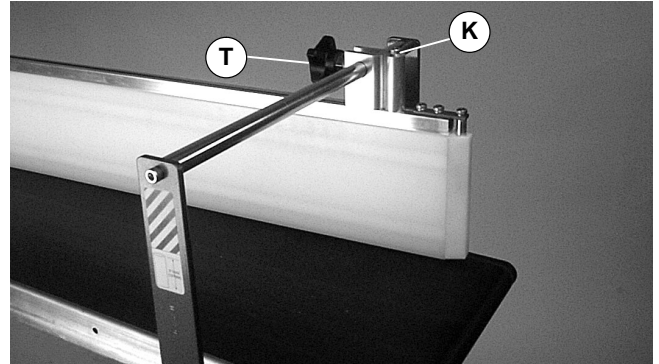


Figure 15

NOTE: Check for clearance between guide and conveyor or belt prior to conveyor start-up.

4. Adjust final lane position. Tighten screws (K) to 146 in-lb (16 Nm). Hand-tighten knob(s).

Preventive Maintenance and Adjustment

Required Tools

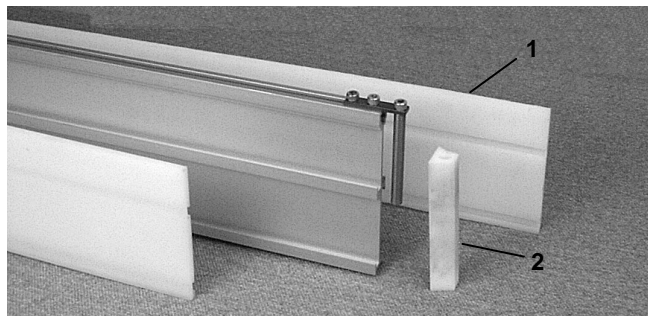
- 5 mm hex key wrench
- Torque wrench

Cleaning

Periodically, detach lane(s) from positioners. Clean any debris from between bottom of lane(s) and conveyor belt. Replace and re-secure lane(s). Tighten screws (K of Figure 14) to 146 in-lb (16 Nm). Hand-tighten knob(s).

Service Parts

NOTE: For replacement parts other than those shown on this page, contact an authorized Dorner Service Center or the factory.



Item	Part No.	Part Description
1	365102	Guide, 2-ft (610 mm)
	365103	Guide, 3-ft (914 mm)
	365104	Guide, 4-ft (1219 mm)
	365105	Guide, 5-ft (1524 mm)
	365106	Guide, 6-ft (1829 mm)
	365107	Guide, 7-ft (2134 mm)
	365108	Guide, 8-ft (2438 mm)
	365109	Guide, 9-ft (2743 mm)
	365110	Guide, 10-ft (3048 mm)
	365111	Guide, 11-ft (3353 mm)
	365112	Guide, 12-ft (3658 mm)
2	360255	Lead-in Guide

Return Policy

Returns must have prior written factory authorization or they will not be accepted. Items that are returned to Dorner without authorization will not be credited nor returned to the original sender. When calling for authorization, please have the following information ready for the Dorner factory representative or your local distributor:

1. Name and address of customer.
2. Dorner part number(s) of Item(s) being returned.
3. Reason for return.
4. Customer's original order number used when ordering the item(s).
5. Dorner or distributor invoice number.

A representative will discuss action to be taken on the returned items and provide a Returned Goods Authorization number for reference. There will be a return charge on all new undamaged items returned for credit where Dorner was not at fault. Dorner is not responsible for return freight on such items.

Conveyors and conveyor accessories

Standard catalog conveyors	30%
MPB Series, cleated and specialty belt conveyors	50%
7400 & 7600 Series conveyors	non-returnable items
Engineered special products	case by case
Drives and accessories	30%
Sanitary stand supports	non-returnable items

Parts

Standard stock parts	30%
MPB, cleated and specialty belts	non-returnable items

Returns will not be accepted after 60 days from original invoice date.

The return charge covers inspection, cleaning, disassembly, disposal and reissuing of components to inventory.

If a replacement is needed prior to evaluation of returned item, a purchase order must be issued. Credit (if any) is issued only after return and evaluation is complete.

Dorner has representatives throughout the world. Contact Dorner for the name of your local representative. Our Technical Sales, Catalog Sales and Service Teams will gladly help with your questions on Dorner products.

For a copy of Dorner's Warranty, contact factory, distributor, service center or visit our website at www.dorner.com.

**For replacement parts, contact an authorized
Dorner Service Center or the factory.**

DORNER®

Dorner Mfg. Corp. reserves the right to change or discontinue products without notice. All products and services are covered in accordance with our standard warranty. All rights reserved. ©Dorner Mfg. Corp. 1999

DORNER MFG. CORP.

975 Cottonwood Ave., PO Box 20
Hartland, WI 53029-0020 USA

USA

TEL 1-800-397-8664 (USA)

FAX 1-800-369-2440 (USA)

Outside the USA:

TEL 1-262-367-7600, FAX 1-262-367-5827

DORNER

Arnold-Sommerfeld-Ring 2
D-52499 Baesweiler

Germany

TEL (02401) 80 52 90

FAX (02401) 80 52 93

Internet: www.dorner.com