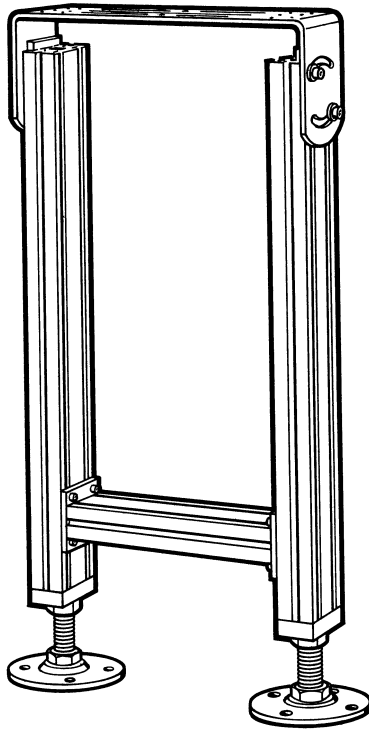
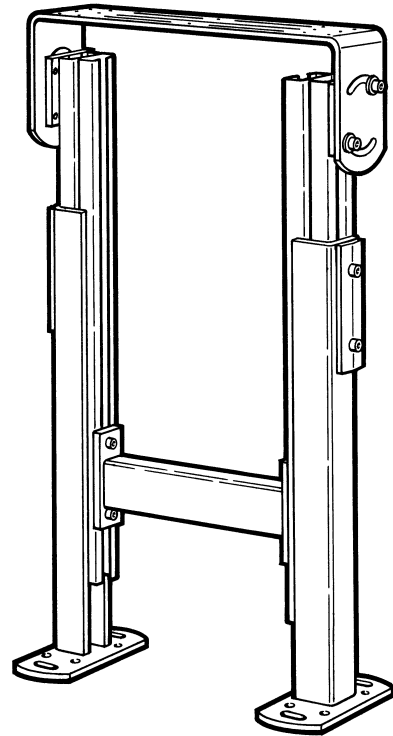


Support Stands & Conveyor Mountings

Parts, Assembly & Maintenance Manual



**Aluminum
Support Stand**





**Steel
Support Stand**

Table of Contents



Safe Practices	3	Mounting Bracket, with Return Belt Roller Assembly, to 2100 Cleated Belt Conveyor ..	11
Foreword	3	Mounting Bracket, with Return Belt Roller Assembly, to 3100 Cleated Belt Conveyor ..	11
Installation Instructions		Aluminum or Steel Stand to Flat Belt Conveyor & Stand Mounting Components	
General Instructions	4	Mounting Bracket, with Return Belt Roller Assembly, & Conveyor Joining Components to 2100 Flat Belt Conveyor	12
Aluminum Support Stands	4	Mounting Bracket, with Return Belt Roller Assembly, & Conveyor Joining Components to 3100 Flat Belt Conveyor	12
Steel Support Stands	4	Roller Conveyors & Stand Mounting Components	
Diagonal Braces	5	Stand Mounting to 2100 Roller Conveyor & Conveyor Joining Components	13
Support Stand/Conveyor Mounting Brackets	5	Stand Mounting to 3100 Roller Conveyor & Conveyor Joining Components	13
Flat Belt Support Stand Mounting Bracket with Return Rollers	6	Diagonal Brace Components	14
Cleated Belt Support Stand Mounting Brackets with Return Rollers	7	Numerical Index	15
Joining Conveyor Sections	7		
Replacement Parts			
Steel Stands & Related Components	8		
Aluminum Stands & Related Components	10		
Aluminum or Steel Stand to Cleated Belt Conveyor & Stand Mounting Components			



 **WARNING** 
The safety alert symbol, black triangle with white exclamation, is used to alert you to potential personal injury hazards.

 **WARNING** 
When attaching stands with casters to aluminum extruded conveyors, the use of diagonal bracing is recommended to help prevent personal injury from possible collapse while wheeling conveyor.

 **WARNING** 
Before proceeding to loosen hardware that locks-in the selected stand height, be sure that all related Conveyor sections are securely supported to prevent them from moving suddenly and dropping-down which may pinch or strike you, causing serious personal injury.

 **WARNING** 
Standing on a conveyor or transporting people is prohibited.

 **WARNING** 
When conveyors are used in conjunction with other equipment or as part of a multiple conveyor system, check for potential pinch points and other mechanical hazards before system start-up. Because Dorner Mfg. Corp. cannot control the physical installation and applications of multiple conveyor systems, taking protective measures is the responsibility of the user.

 **WARNING** 
NEVER operate equipment without guards or other protective devices properly secured in place. In addition, to prevent injury, make sure all electrical power sources have been disconnected and locked-out before you perform any maintenance, make any adjustments or replace any components.

Foreword

For pictorial clarity, some illustrations in this manual may show guards or other protective devices open or removed. Under no circumstances should the conveyor be operated without these devices securely in place.

NOTE:



All technical data in this publication is based on the product information available at time of printing. Dorner reserves the right to make changes at any time without notice or obligation to install those changes on units previously delivered.

Installation Instructions

General Instructions

Dorner stands and compatible mounting hardware are designed to squarely, straightly and securely support your Dorner conveyor.

Dorner provides two (2) different types of support stands. Refer to the following subtopics for appropriate details on conveyor adaptation to each type of stand.

 **WARNING** 

Before proceeding to loosen hardware that locks-in the selected stand height, be sure that all related Conveyor sections are securely supported to prevent them from moving suddenly and dropping-down which may pinch or strike you, causing serious personal injury.

Aluminum Support Stands

Aluminum support stands are available with either permanent floor mounting pads (A of Figure 1) or optional pivoting and dual lockable, 4" (102 mm) diameter casters (B). Both the floor mounting pads or caster assemblies have threaded shafts that provide $\pm 2"$ (51 mm) of adjustment. Rotate the threaded shaft (C) in or out to obtain the desired height and then fix the position by tightening the locking nut (D). Activation of the caster wheel dual lock prevents the caster from both pivoting and rolling. Locks are activated and de-activated with foot pressure.

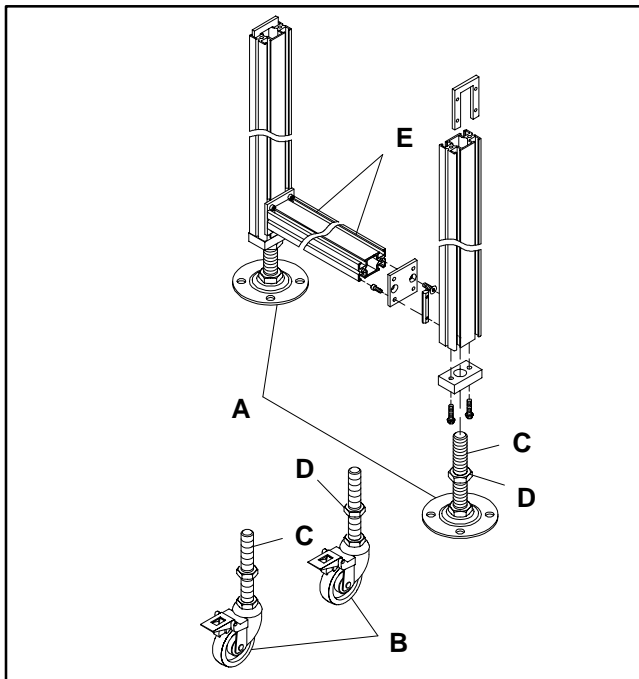


Figure 1: Standard Aluminum Support Stand

Standard aluminum support stands are available in compatible widths to match the respective conveyor widths and incremental

heights from 18 to 48" (457 to 1219 mm). Depending on the height of the stand, one or two re-positionable, stabilizing cross members (E) are also provided.

Steel Support Stands

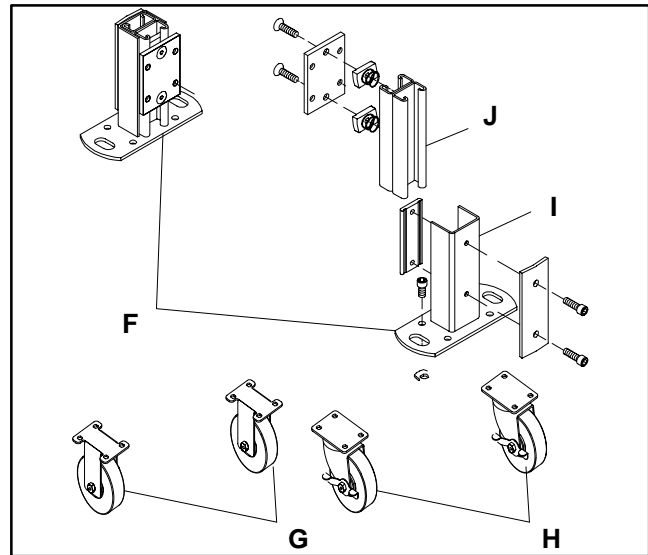


Figure 2: 6' & 8' (152 mm & 203 mm) High Steel Support Stands

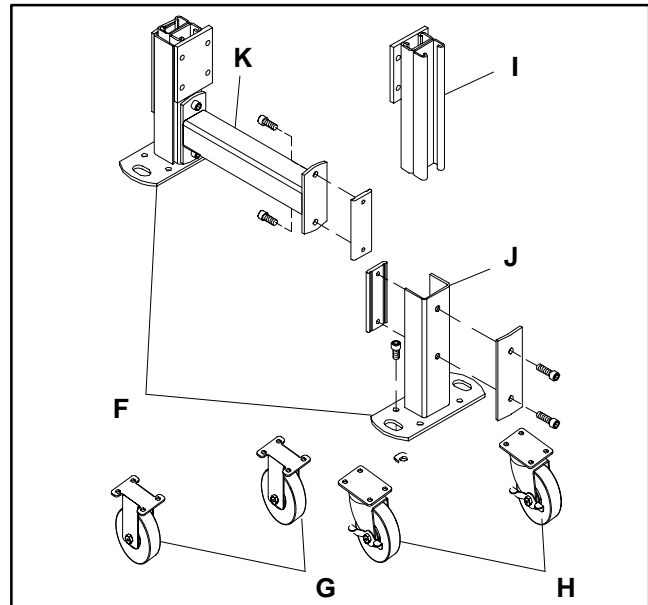


Figure 3: 12' (305 mm) High Steel Support Stand

Steel stands are available with permanent floor mounting feet (F of Figure 2) or with optional fixed position (G) or rotationally lockable, pivoting casters (H). The steel stand assemblies consists of several different combinations of differing length legs (I), differing length boots (J) and stabilizing cross members (K) that match the respective conveyor widths.

Variations in elevation can be achieved by unlocking the clamping plates and telescoping each leg (I) and boot (J)

Installation Instructions

assembly. Be sure that the attaching hardware is always kept tightly secured at all times.

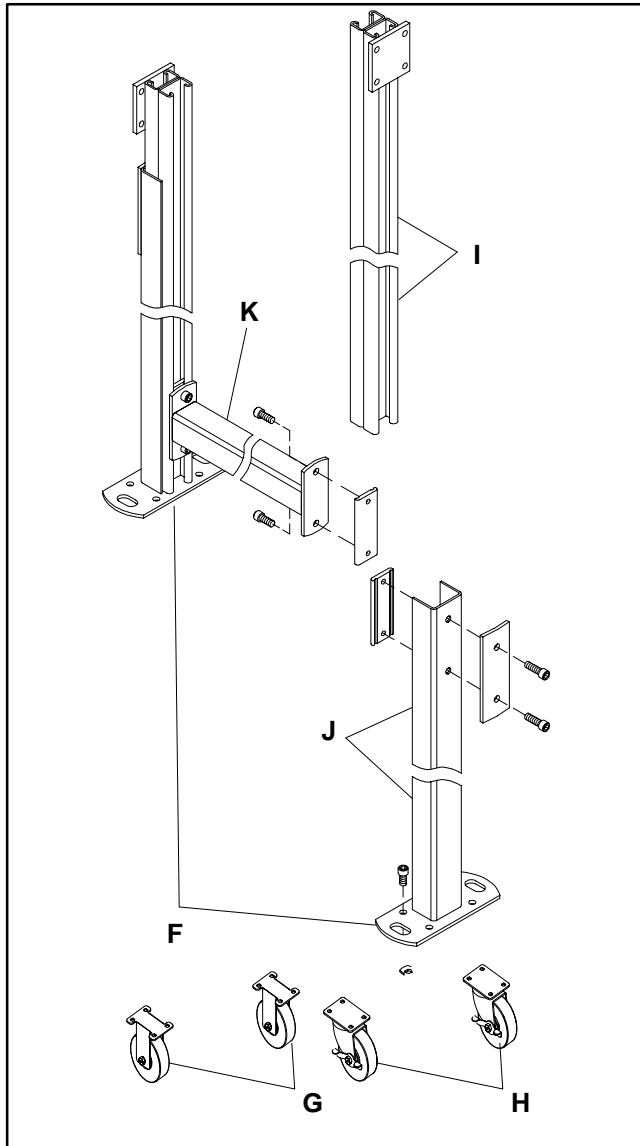


Figure 4: Taller Than 12' (305 mm) High Steel Support Stands

Diagonal Braces

	WARNING	
<p>When attaching stands with casters to aluminum extruded conveyors, the use of diagonal bracing is recommended to help prevent personal injury from possible collapse while wheeling conveyor.</p>		

Dorner recommends adding diagonal bracing (L of Figure 5) to aluminum extruded conveyors whenever casters are used. Refer to page 14 for assembly details.

When a cleated belt conveyor is equipped with return belt skirting, the section of skirting (M) that is over the brace to conveyor anchoring hardware must be temporarily removed for access. Loosen the attaching hardware and rotate each guide retaining clip (N) to detach the skirting section.

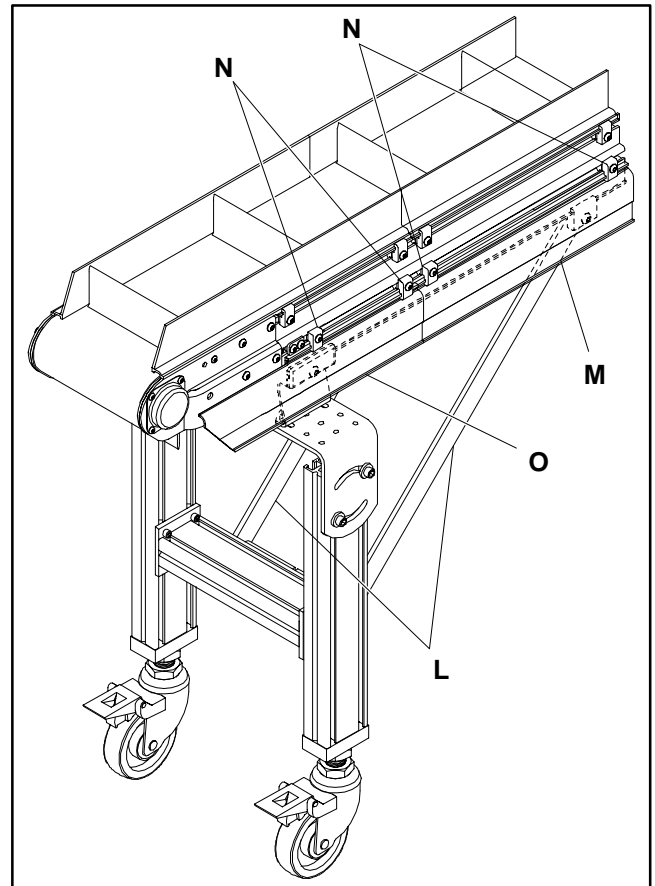


Figure 5: Aluminum Stand (with Casters and Diagonal Braces) Supporting Cleated Belt Conveyor with Return Belt Skirting

Support Stand/Conveyor Mounting Brackets

The upper portion of the stand is connected to the conveyor by a single stand/conveyor mounting bracket (P of Figure 6) or (S of Figure 7). For wider than 24" (610 mm) wide conveyors, the upper portion of the stand is connected by two (2) "L" mounting brackets (T of Figure 8). Slotted holes (Q), in all of the brackets, enable angling the bracket(s) for positioning the conveyor section at an angle, when necessary. Be sure to tightly secure both fasteners (R), on each side, to fix the position of the adjusted angle.

Installation Instructions

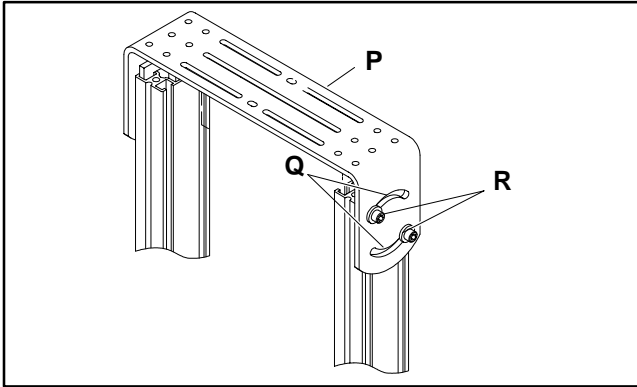


Figure 6: Stand Mounting Bracket for Up to 12' (305 mm) Wide Conveyors

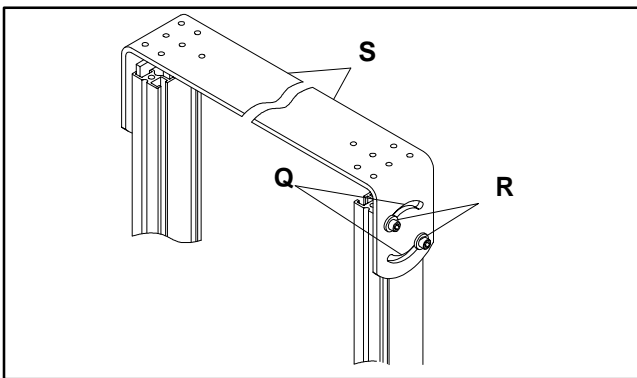


Figure 7: Stand Mounting Bracket for a 15 to 24' (381 to 610 mm) Wide Conveyors

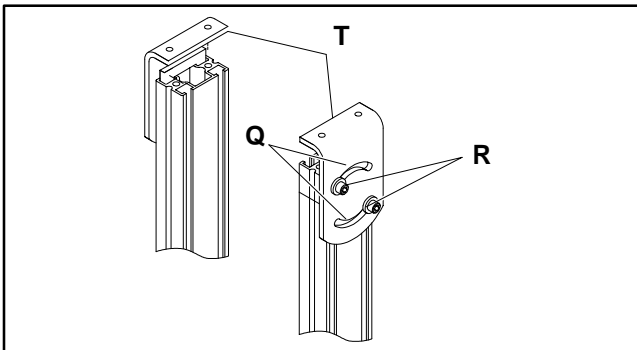


Figure 8: Stand Mounting Brackets for Wider than 24' (610 mm) Conveyors

Flat Belt Support Stand Mounting Bracket with Return Rollers

The stand/conveyor mounting bracket (P of Figure 6) or (S of Figure 7) or "L" mounting brackets (T of Figure 8) are linked to the flat belt conveyor section, on each side, by a stand mounting block (U of Figures 9 & 10) secured with (2 each) 1/4-20 x 0.75" socket head cap screws and hard washers (V). The bottom edge of the conveyor side rail, on each side, is attached by the stand mounting block (U) and clamp plate (W) which is secured with an 5/16-18 x 0.62" button head cap screw (X of Figure 9) for a 2100 Series conveyor or with an 5/16-18 x 0.75" button head cap screw (Z of Figure 10) for a 3100 Series conveyor.

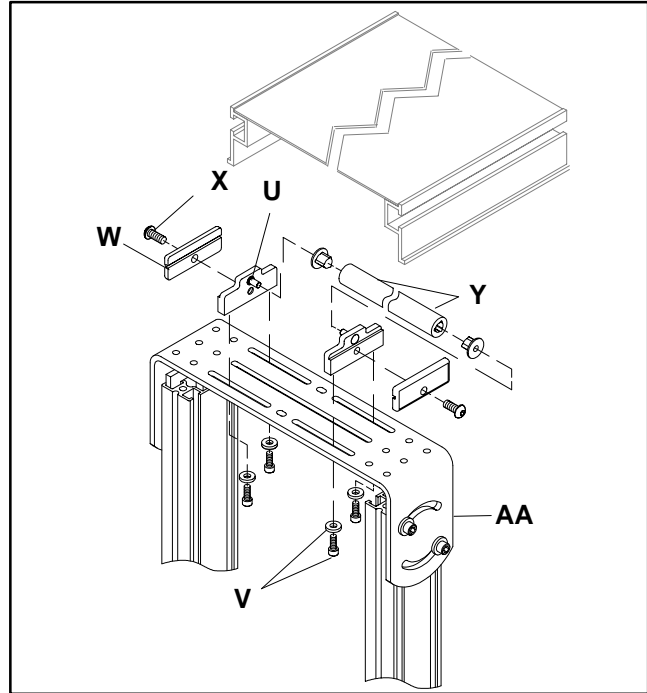


Figure 9: Stand and Adapting Components used with a 2100 Series Flat-Belt Conveyor that is 24' (610 mm) and Narrower

An integral part of the stand mount block assembly, for flat belt conveyors, is a return belt roller assembly. The mounting block for the opposite side, is then slid onto the other ends of the guards and held in place by attachment of the other mounting block to the stand/conveyor mounting bracket or "L" mounting brackets.

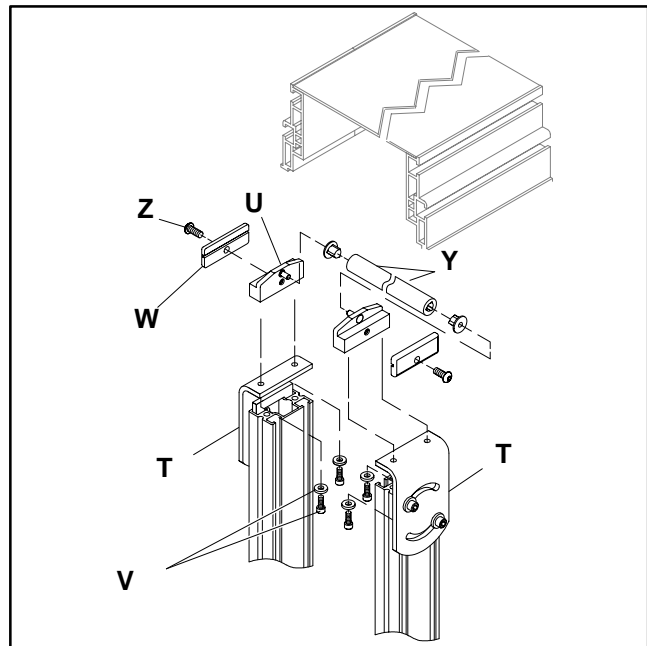


Figure 10: Mounting Bracket with Return Roller Assembly used with a 3100 Series Flat-Belt Conveyor Wider than 24' (610 mm)

Installation Instructions

Cleated Belt Support Stand Mounting Brackets with Return Rollers

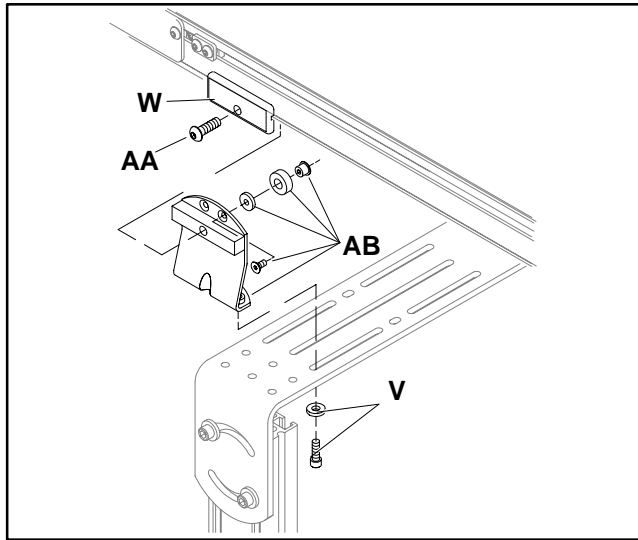


Figure 11: 2100 Series Cleated Belt Conveyor Mounting Bracket with Return Belt Roller Assembly

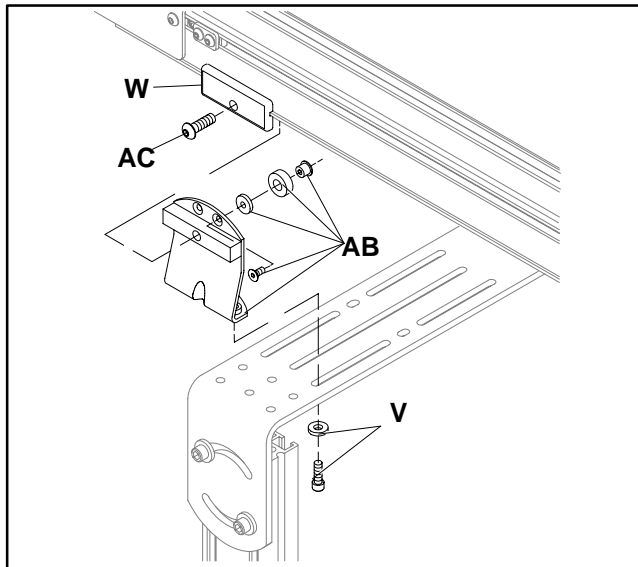


Figure 12: 3100 Series Cleated Belt Conveyor Mounting Bracket with Return Belt Roller Assembly (3100 Series Components Similar)

The stand/conveyor mounting bracket (P of Figure 6) or (S of Figure 7) or "L" mounting brackets (T of Figure 8) are linked to the cleated belt conveyor section, on each side, by a mounting bracket with return belt roller assembly (Y) which is secured with (2 each) 1/4-20 x 0.75" socket head cap screws and hard washers (V). The upper part of the bracket and belt guide bearing assembly is secured to the bottom edge of the conveyor side rail with a clamp plate (W) which is secured with an 5/16-18 x 0.75" button head cap screw (AA of Figure 11) for a 2100 Series conveyor or with an 5/16-18 x 1" button head cap screw (AC of Figure 12) for a 3100 Series conveyors.

When a cleated belt conveyor is equipped with return belt skirting, the section of skirting (O of Figure 5) that is over the return belt roller assembly must be temporarily removed for access. Loosen the attaching hardware and rotate each guide retaining clip (N) to detach the skirting section.

Joining Conveyor Sections

The junctions of conveyor sections must always be supported by a stand and related attaching components as shown. The joining components, on either side of the conveyor, are an intermediate clamp (AD of Figure 13), an intermediate T-bar (AE) and four (4) 1/4-20 x 0.5" button head screws (AF).

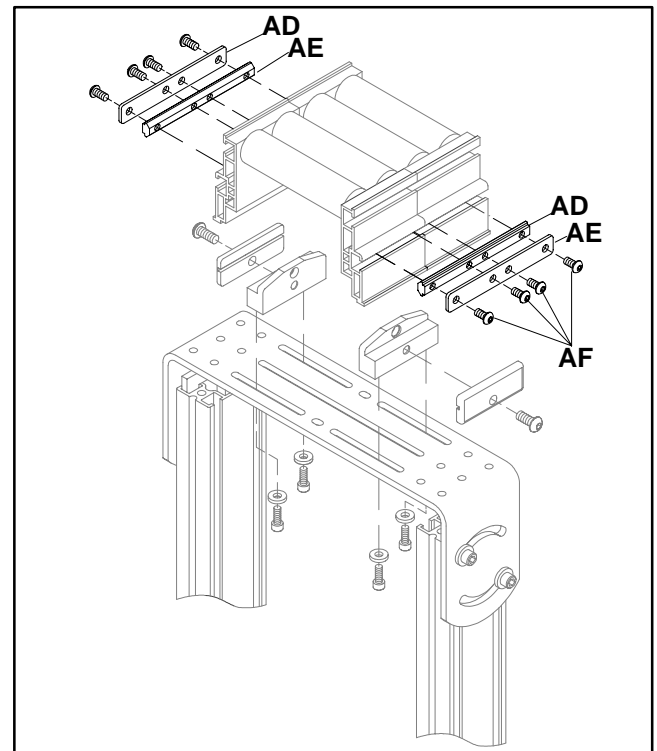


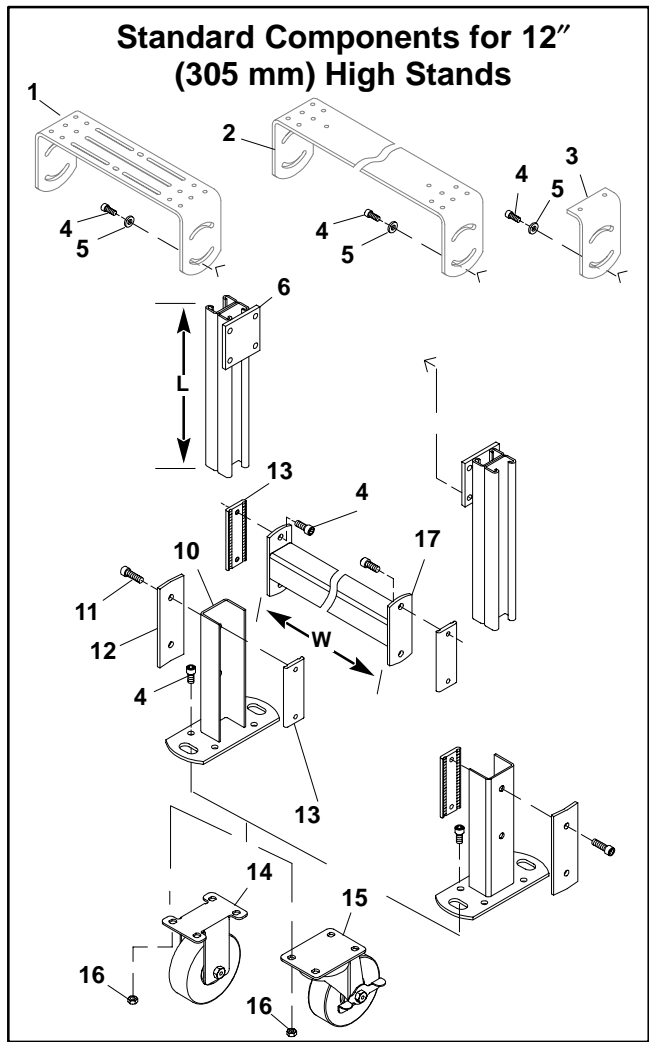
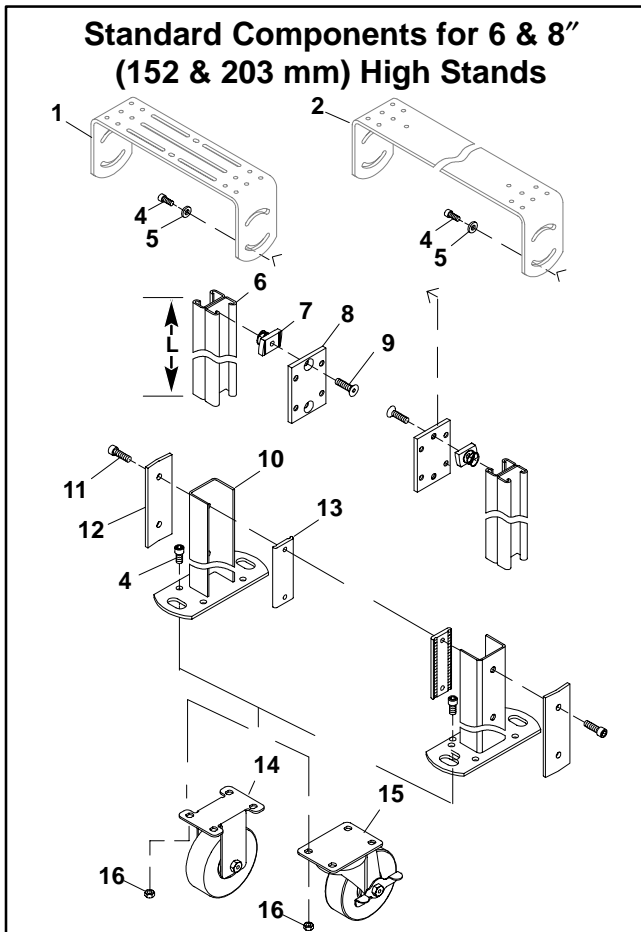
Figure 13: Roller Conveyor Section Connection Detail

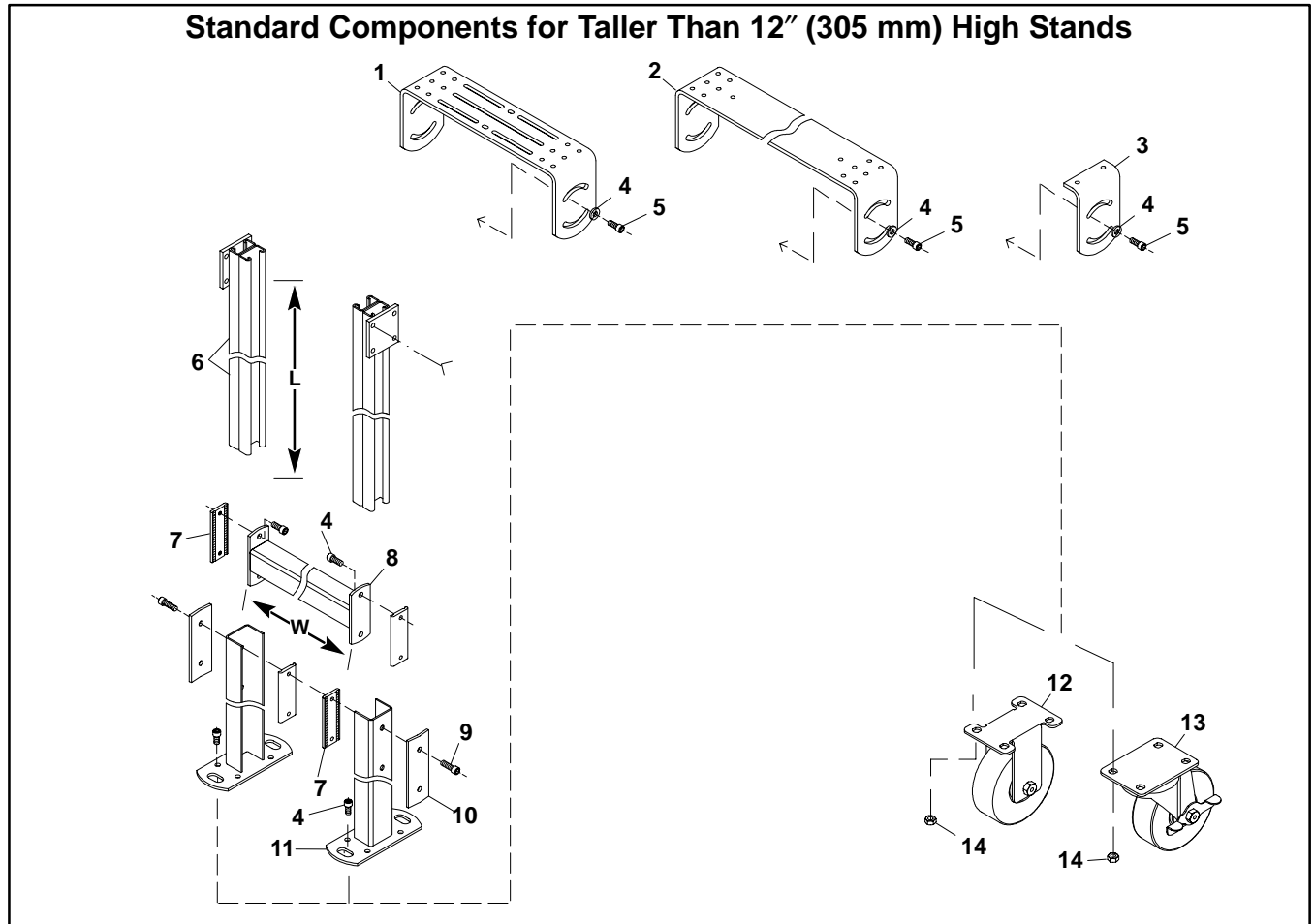
Steel Stands & Related Components

Item	Part No.	Part Description
1	202148	Stand/Conveyor Mounting Bracket for 2100 Series from 2 through 12" (44 through 305 mm) Conveyor Widths, or, for 3100 Series from 4 to 12" (95 to 305 mm) Conveyor Widths
2	291500	Stand/Conveyor Mounting Bracket, 16" (457 mm)*
	291800	Stand/Conveyor Mounting Bracket, 19" (483 mm)*
	292100	Stand/Conveyor Mounting Bracket, 22" (559 mm)*
	292400	Stand/Conveyor Mounting Bracket, 25" (635 mm)*
3	200697	Conveyor/Stand "L" Mounting Bracket for 3100 Series 30, 36 & 40" (762, 915 & 1016 mm) Conveyor Widths
4	902-179	Socket Head Cap Screw, 5/16-18 x 0.75"
5	605280	Flat Washer
6	290306	L = Black Inner Leg, 5.75" (146 mm) Long
	290308	L = Black Inner Leg, 7.75" (197 mm) Long
	290312	L = Black Inner Leg, 10" (254 mm) Long
7	902-997	Unistrut Nut w/Spring 5/16-18
8	634698	Swivel Mounting Plate
9	903-187	Flat Head Cap Screw, 5/16-18 x 1.0 Long

Item	Part No.	Part Description
10	202323	Boot, 6" (152 mm) Long
	202324	Boot, 7.63" (194 mm) Long
	202325	Boot, 9.25" (235 mm) Long
11	902-181	Socket Head Cap Screw, 5/16-18 x 1.0"
12	632147	Double Washer Plate
13	632149	Double Nut
14	807-324	Caster, Rigid
15	807-325	Caster, Swivel
16	910-009	Nut, 5/16-18
17	290212	W = Cross Member, 12" (305 mm) Wide
	290215	W = Cross Member, 15" (381 mm) Wide
	290218	W = Cross Member, 18" (457 mm) Wide
	290224	W = Cross Member, 24" (610 mm) Wide
	290230	W = Cross Member, 30" (762 mm) Wide
	290236	W = Cross Member, 36" (915 mm) Wide
	290240	W = Cross Member, 40" (1016 mm) Wide

* For 2100 Series from 15 through 24" (381 through 610 mm) Conveyor Widths, or, for 3100 Series from 18 to 24" (457 to 610 mm) Conveyor Widths





Item	Part No.	Part Description
1	202148	Stand/Conveyor Mounting Bracket for 2100 Series from 2 through 12" (44 through 305 mm) Conveyor Widths, or, for 3100 Series from 4 to 12" (95 to 305 mm) Conveyor Widths
2	291500	Stand/Conveyor Mounting Bracket, 16" (457 mm)*
	291800	Stand/Conveyor Mounting Bracket, 19" (483 mm)*
	292100	Stand/Conveyor Mounting Bracket, 22" (559 mm)*
	292400	Stand/Conveyor Mounting Bracket, 25" (635 mm)*
3	200697	Conveyor/Stand "L" Mounting Bracket for 3100 Series 30, 36 & 40" (762, 915 & 1016 mm) Conveyor Widths
4	605280	Flat Washer
5	902-179	Socket Head Cap Screw, 5/16-18 x 0.75"
6	290314	L = Black Inner Leg, 12" (305 mm) Long
	290316	L = Black Inner Leg, 14" (356 mm) Long
	290319	L = Black Inner Leg, 17" (432 mm) Long
	290325	L = Black Inner Leg, 23" (584 mm) Long
	290337	L = Black Inner Leg, 35" (889 mm) Long
	290352	L = Black Inner Leg, 50" (1270 mm) Long

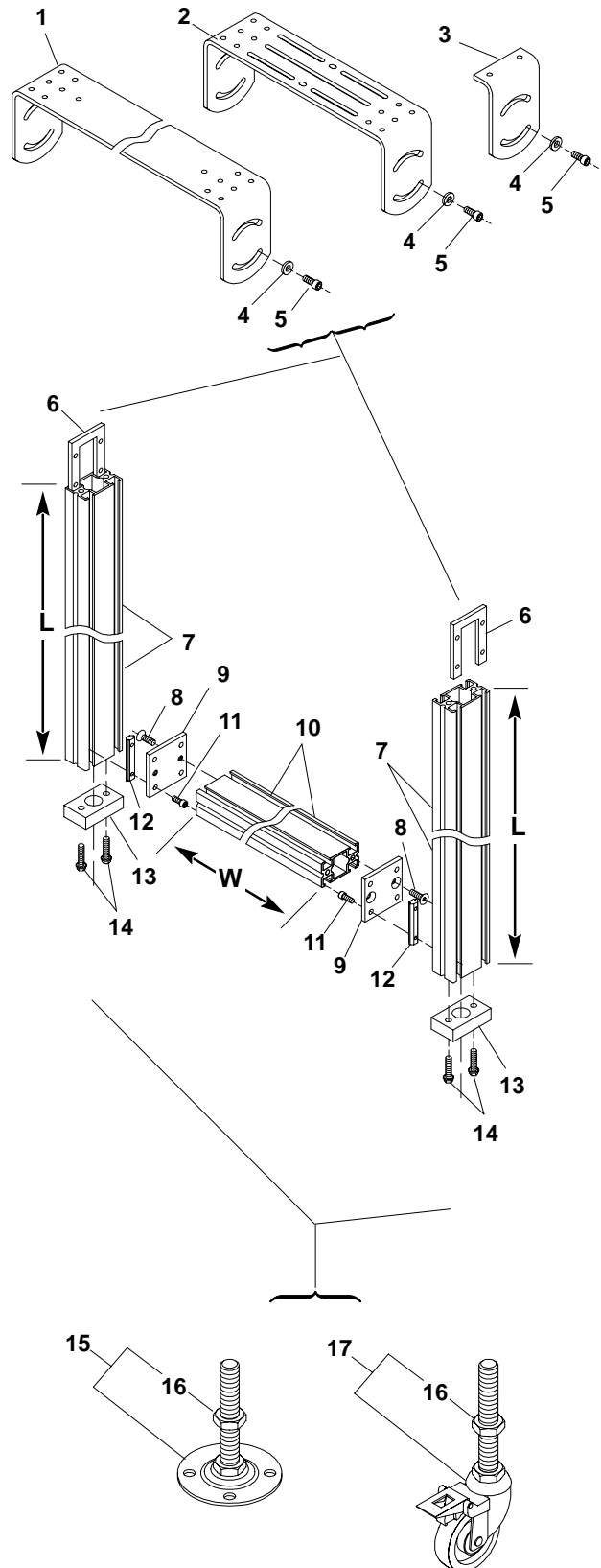
Item	Part No.	Part Description
7	632149	Double Nut
8	290012	W = Black Cross Member, 12" (305 mm) Wide
	290015	W = Cross Member, 15" (381 mm) Wide
	290018	W = Black Cross Member, 18" (457 mm) Wide
	290024	W = Black Cross Member, 24" (610 mm) Wide
	290030	W = Black Cross Member, 30" (762 mm) Wide
	290036	W = Black Cross Member, 36" (915 mm) Wide
290040	W = Black Cross Member, 40" (1016 mm) Wide	
9	902-181	Socket Head Cap Screw, 5/16-18 x 1.0"
10	632147	Double Washer Plate
11	202324	Boot, 7.63" (193.8 mm) Long
	202325	Boot, 9.25" (235 mm) Long
	202326	Boot, 12.25" (311 mm) Long
	202328	Boot, 18.25" (464 mm) Long
	202330	Boot, 30.25" (768 mm) Long
12	807-324	Caster, Rigid
13	807-325	Caster, Swivel
14	910-009	Nut, 5/16-18

* For 2100 Series from 15 through 24" (381 through 610 mm) Conveyor Widths, or, for 3100 Series from 18 to 24" (457 to 610 mm) Conveyor Widths

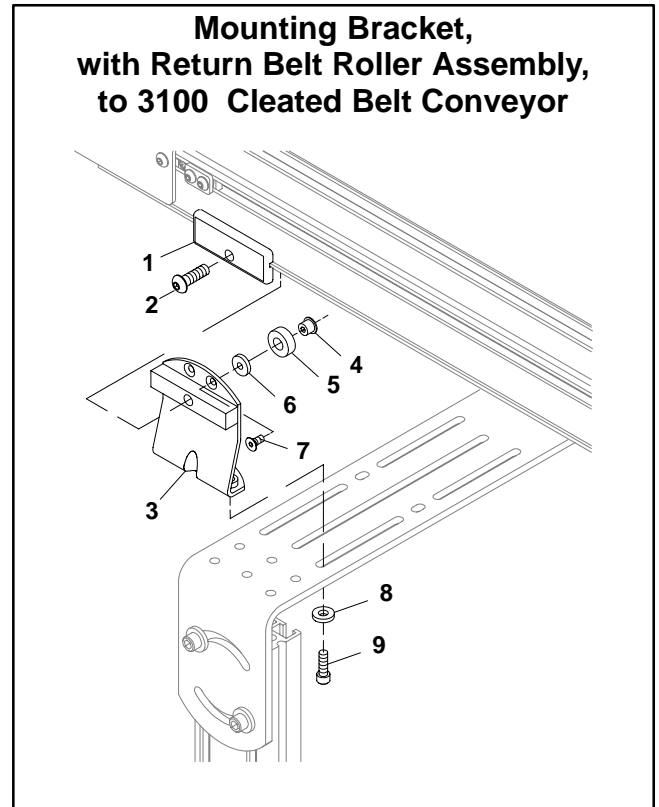
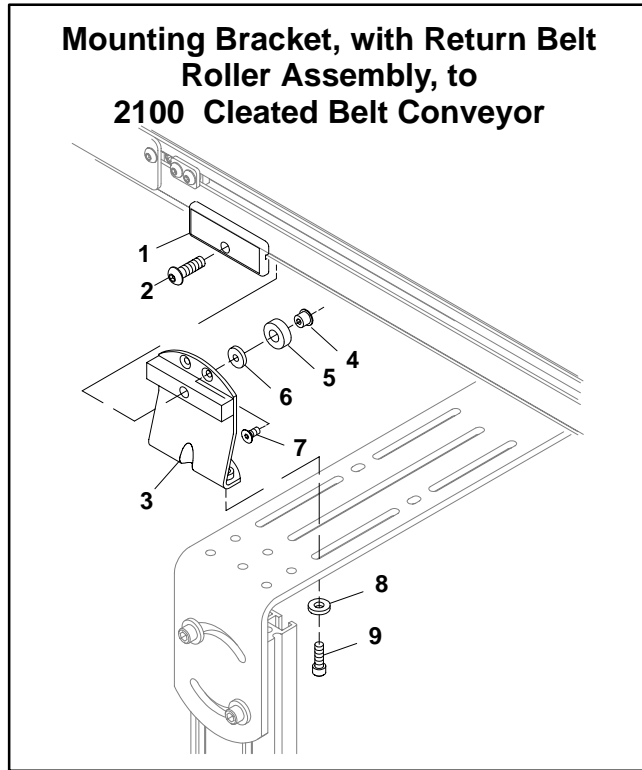
Aluminum Stands & Related Components

Item	Part No.	Part Description
1	291500	Stand/Conveyor Mounting Bracket, 16" (457 mm)*
	291800	Stand/Conveyor Mounting Bracket, 19" (483 mm)*
	292100	Stand/Conveyor Mounting Bracket, 22" (559 mm)*
	292400	Stand/Conveyor Mounting Bracket, 25" (635 mm)*
2	202148	Stand/Conveyor Mounting Bracket for 2100 Series from 2 through 12" (44 through 305 mm) Conveyor Widths, or, for 3100 Series from 4 to 12" (95 to 305 mm) Conveyor Widths
3	200697	Conveyor/Stand "L" Mounting Bracket for 3100 Series 30, 36 & 40" (762, 915 & 1016 mm) Conveyor Widths
4	605280	Flat Washer
5	902-179	Socket Head Cap Screw, 5/16-18 x 0.75" Long
6	200801	Quad Nut, 5/16" -18
7	205018	L= Extrusion 11.50" (292 mm) Long
	205021	L= Extrusion 14.50" (368 mm) Long
	205024	L= Extrusion 17.50" (445 mm) Long
	205027	L= Extrusion 20.50" (521 mm) Long
	205030	L= Extrusion 23.50" (597 mm) Long
	205033	L= Extrusion 26.50" (673 mm) Long
	205036	L= Extrusion 29.50" (749 mm) Long
	205039	L= Extrusion 32.50" (826 mm) Long
	205042	L= Extrusion 35.50" (902 mm) Long
	205045	L= Extrusion 38.50" (978 mm) Long
	205048	L= Extrusion 41.50" (1054 mm) Long
	8	903-183
9	200799	Mounting Tube End Plate
10	390012	W = Extrusion 9.35" (238 mm) Long
	390015	W = Extrusion 12.35" (314 mm) Long
	390018	W = Extrusion 15.35" (390 mm) Long
	390021	W = Extrusion 18.35" (466 mm) Long
	390024	W = Extrusion 21.35" (542 mm) Long
	390030	W = Extrusion 27.35" (695 mm) Long
	390036	W = Extrusion 33.35" (847 mm) Long
	390040	W = Extrusion 37.35" (949 mm) Long
11	902-130	Socket Head Cap Screw, 1/4-20 x 0.62"
12	300150	Drop-In T-bar
13	200800	Swivel Foot Mounting Block
14	906-998	Hex. Hd. Thread Forming Screw, 5/16-18 x 1.25" Long
15	200797	Swivel Foot Ass'y
16	910-098	Hex. Jam Nut, 1-14
17	662150	Tube Mounting Swivel Caster Ass'y

* For 2100 Series from 15 through 24" (381 through 610 mm) Conveyor Widths, or, for 3100 Series from 18 to 24" (457 to 610 mm) Conveyor Widths



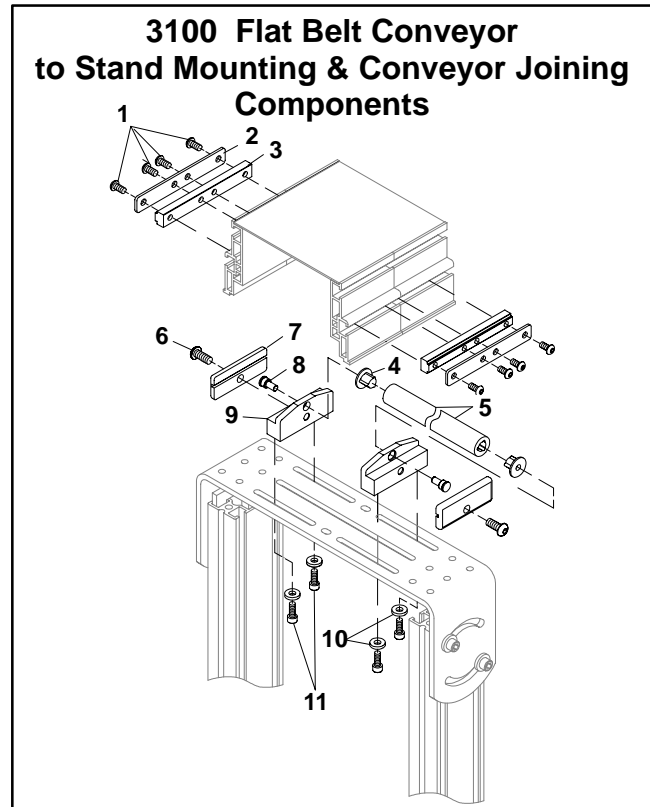
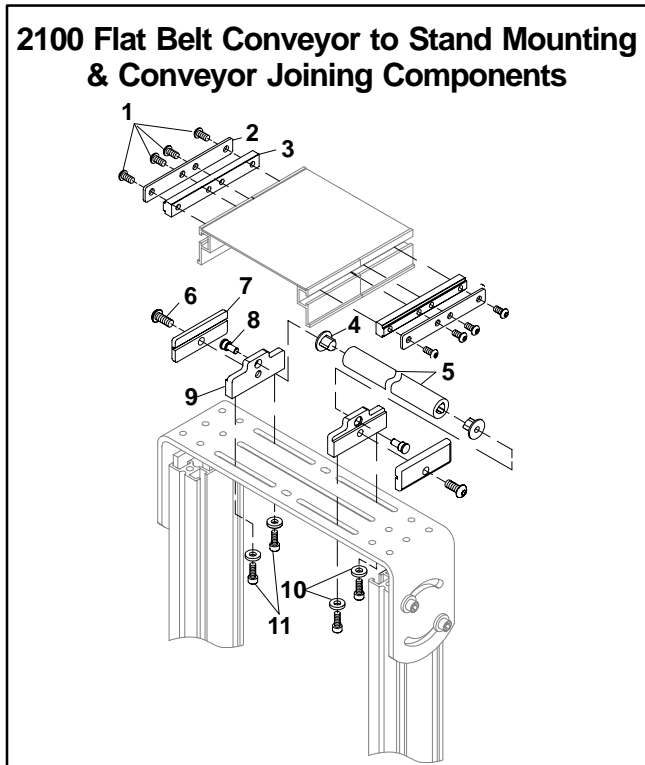
Aluminum or Steel Stand to Cleated Belt Conveyor & Stand Mounting Components



Item	Part No.	Part Description
1	200022	Clamp Plate
2	901-183	Button Head Cap Screw, 5/16-18 x 0.75"
3	201911	Bracket, 2100 Series
4	639249	Roller Hub
5	802-027	Sealed Ball Bearings
6	911-007	Washer
7	903-106	Flat Head Cap Screw, #10-32 x 0.38"
8	605279	Hard Washer
9	902-132	Socket Head Cap Screw, 1/4-20 x 0.75"

Item	Part No.	Part Description
1	200022	Clamp Plate
2	901-187	Button Head Cap Screw, 5/16-18 x 1.0"
3	300368	Bracket, 3100 Series
4	639249	Roller Hub
5	802-027	Sealed Ball Bearings
6	911-007	Washer
7	903-106	Flat Head Cap Screw, #10-32 x 0.38"
8	605279	Hard Washer
9	902-132	Socket Head Cap Screw, 1/4-20 x 0.75"

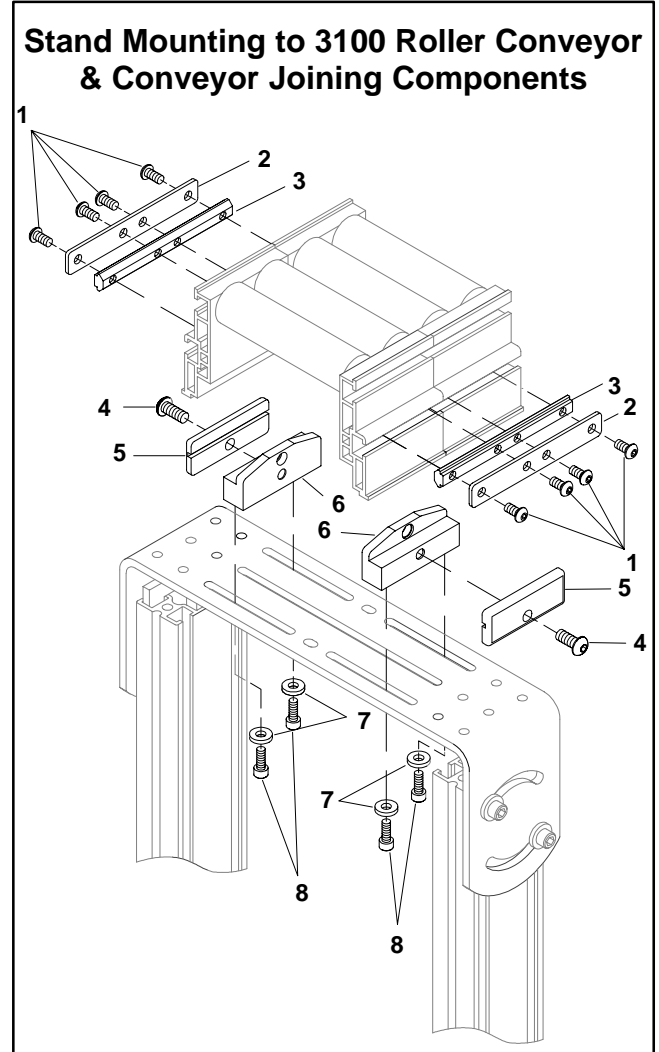
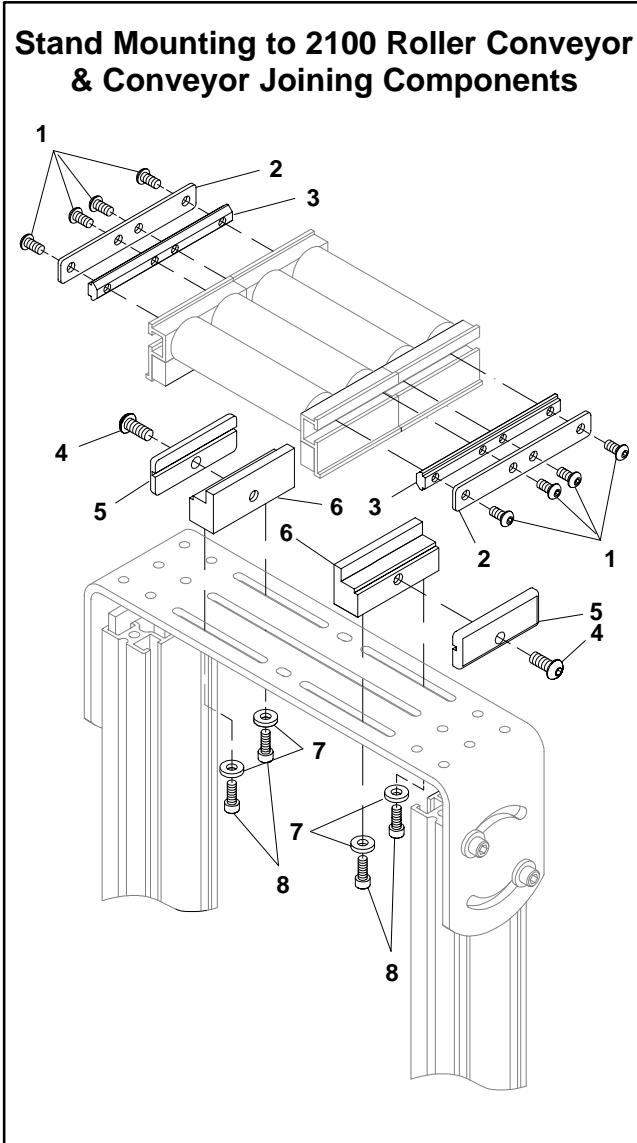
Aluminum or Steel Stand to Flat Belt Conveyor & Stand Mounting Components



Item	Part No.	Part Description
1	901-129	Button Head Cap Screw, 1/4-20 x 0.5"
2	300153	Intermediate Clamp Plate
3	300151	Intermediate T-bar
4	202311P	Return Roller Bearing
5	207702	Return Roller Tube, 2" (44 mm) Long
	207703	Return Roller Tube, 3" (70 mm) Long
	207704	Return Roller Tube, 4" (95 mm) Long
	207705	Return Roller Tube, 5" (127 mm) Long
	207706	Return Roller Tube, 6" (152 mm) Long
	207708	Return Roller Tube, 8" (203 mm) Long
	207710	Return Roller Tube, 10" (254 mm) Long
	207712	Return Roller Tube, 12" (305 mm) Long
	207715	Return Roller Tube, 15" (381 mm) Long
	207718	Return Roller Tube, 18" (457 mm) Long
207724	Return Roller Tube, 24" (610 mm) Long	
6	901-181	Button Head Cap Screw, 5/16-18 x 0.62"
7	200022	Clamp Plate
8	202348P	Bearing Pin
9	202351	Mounting Block
10	605279	Hard Washer
11	902-132	Socket Head Cap Screw, 1/4-20 x 0.75"

Item	Part No.	Part Description
1	901-129	Button Head Cap Screw, 1/4-20 x 0.5"
2	300153	Intermediate Clamp Plate
3	300151	Intermediate T-bar
4	202311P	Return Roller Bearing
5	207704	Return Roller Tube, 4" (95 mm) Long
	207705	Return Roller Tube, 5" (127 mm) Long
	207706	Return Roller Tube, 6" (152 mm) Long
	207708	Return Roller Tube, 8" (203 mm) Long
	207710	Return Roller Tube, 10" (254 mm) Long
	207712	Return Roller Tube, 12" (305 mm) Long
	207718	Return Roller Tube, 18" (457 mm) Long
	207724	Return Roller Tube, 24" (610 mm) Long
	207730	Return Roller Tube, 30" (762 mm) Long
	207736	Return Roller Tube, 36" (915 mm) Long
207740	Return Roller Tube, 40" (1016 mm) Long	
6	901-183	Button Head Cap Screw, 5/16-18 x 0.75"
7	200022	Clamp Plate
8	202348P	Bearing Pin
9	300551	Stand Mounting Block
10	605279	Hard Washer
11	902-132	Socket Head Cap Screw, 1/4-20 x 0.75"

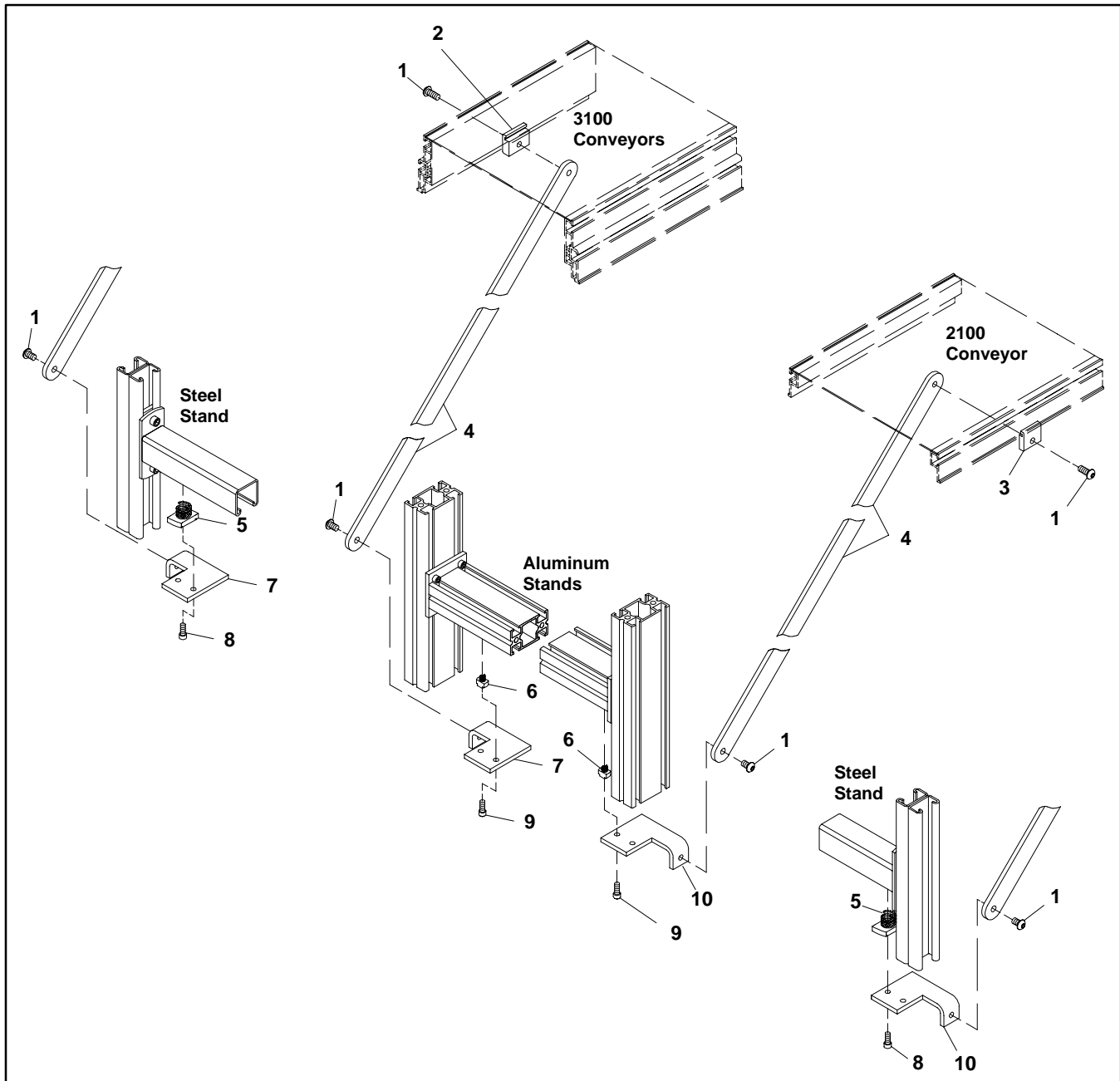
Roller Conveyors & Stand Mounting Components



Item	Part No.	Part Description
1	901-129	Button Head Cap Screw, 1/4-20 x 0.5"
2	300153	Intermediate Clamp Plate
3	300429	Intermediate T-bar
4	901-183	Button Head Cap Screw, 5/16-18 x 0.75"
5	200022	Clamp Plate
6	210021	Stand Mounting Block
7	605279	Hard Washer
8	902-132	Socket Head Cap Screw, 1/4-20 x 0.75"

Item	Part No.	Part Description
1	901-129	Button Head Cap Screw, 1/4-20 x 0.5"
2	300153	Intermediate Clamp Plate
3	300429	Intermediate T-bar
4	901-183	Button Head Cap Screw, 5/16-18 x 0.75"
5	200022	Clamp Plate
6	300551	Stand Mounting Block
7	605279	Hard Washer
8	902-132	Socket Head Cap Screw, 1/4-20 x 0.75"

Diagonal Brace Components



Item	Part No.	Part Description
1	901-181	Button Head Cap Screw, 5/16-18 x 0.62"
2	201410	Clip, 3100 Series
3	201409	Clip, 2100 Series
4	201408	Diagonal Brace Bar 23-1/4" (590 mm)
5	910-996	Unstrut Nut, 1/4-20 (for Steel Stand)

Item	Part No.	Part Description
6	200124	Spring Nut 1/4-20 (for Aluminum Stand)
7	201030	Offset Plate, Right Hand
8	902-138	Socket Head Cap Screw, 1/4-20 x 1.25"
9	902-130	Socket Head Cap Screw, 1/4-20 x 0.62"
10	201031	Offset Plate, Left Hand

Support Stands Conveyor Mountings

Numerical Index

Part #	Page	Part #	Page	Part #	Page
200022	11, 12, 13	207710	12	300368	11
200124	14	207712	12	300429	13
200697	8, 9, 10	207715	12	300551	12, 13
200797	10	207718	12	390012	10
200799	10	207724	12	390015	10
200800	10	207730	12	390018	10
200801	10	207736	12	390021	10
201030	14	207740	12	390024	10
201031	14	210021	13	390030	10
201408	14	290012	9	390036	10
201409	14	290018	9	390040	10
201410	14	290024	9	605279	11, 12, 13
201911	11	290030	9	605280	8, 9, 10
202148	8, 9, 10	290036	9	632147	8, 9
202311P	12	290040	9	632149	8, 9
202323	8	290212	8	634698	8
202324	8, 9	290015	9	639249	11
202325	8, 9	290215	8	662150	10
202326	9	290218	8	802-027	11
202328	9	290224	8	807-324	8, 9
202330	9	290230	8	807-325	8, 9
202348P	12	290236	8	901-129	12, 13
202351	12	290240	8	901-181	12, 14
205018	10	290306	8	901-183	11, 12, 13
205021	10	290308	8	901-187	11
205024	10	290312	8	902-130	10, 14
205027	10	290314	9	902-132	11, 12, 13
205030	10	290316	9	902-138	14
205033	10	290319	9	902-179	8, 9, 10
205036	10	290325	9	902-181	8, 9
205039	10	290337	9	902-997	8
205042	10	290352	9	903-106	11
205045	10	291500	8, 9, 10	903-183	10
205048	10	291800	8, 9, 10	906-998	10
207702	12	292100	8, 9, 10	910-009	8, 9
207703	12	292400	8, 9, 10	910-098	10
207704	12	300150	10	910-996	14
207705	12	300151	12	911-007	11
207706	12	300153	12, 13	903-187	8
207708	12				

RETURN POLICY

No returns will be accepted without prior written factory authorization. When calling for authorization, please have the following information ready for the Dorner Factory representative or your local distributor:

1. Name and address of customer.
2. Item(s) being returned.
3. Reason for return.
4. Customer's original order number used when ordering the item(s).
5. Dorner or distributor invoice number.

A representative will discuss action to be taken on the Returned items and provide a Returned Goods Authorization Number to reference.

There will be a 15% restocking charge on all new items returned for credit where Dorner was not at fault. These will not be accepted after 60 days from original invoice date. The restocking charge covers inspection, cleaning, disassembly, and reissuing to inventory.

If a replacement is needed prior to evaluation of returned item, a purchase order must be issued. Credit (if any) is issued only after return and evaluation is complete.

- Dorner has representatives throughout the world. Feel free to contact Dorner for the name of your local representative. Our technical sales and service staff will gladly help with your questions on Dorner products.

DORNER[®]

Dorner Mfg. Corp. reserves the right to change or discontinue products without notice. All products and services are covered in accordance with our standard warranty. All rights reserved. ©Dorner Mfg. Corp. 1997

DORNER MFG. CORP.

580 Industrial Drive, PO Box 20
Hartland, WI 53029-0020 USA

USA

TEL 1-800-397-8664 (USA)

FAX 1-800-369-2440 (USA)

Outside the USA:

TEL 1-414-367-7600, FAX 1-414-367-5827

DORNER

Arnold-Sommerfeld-Ring 2
D-52499 Baesweiler

Germany

TEL (02401) 80 52 90

FAX (02401) 80 52 93