

Mounting Package Assembly Instructions

2100 Side Mounting Packages 2355M or 2655M

This mounting package can be setup in either one of two positions (**A**, Figure 1) or (**D**, Figure 2).

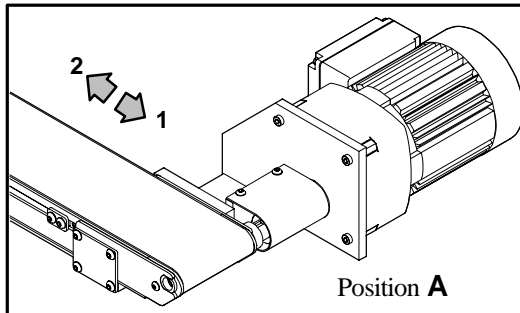


Figure 1

In addition, conveyor belt can be driven in either one of two directions (**1** or **2**, Figures 1 or 2). Arrows show belt travel direction.

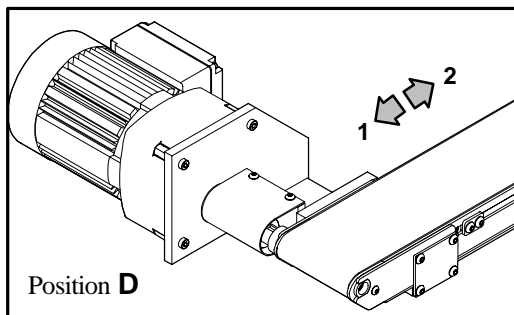


Figure 2

NOTE:

Item numbers shown below correspond with those shown in Figures 3 & 4 and on the backside of this instruction sheet.

On conveyors measuring 2 to 12" (44 to 305 mm) wide (Figure 3), the mounting package is shipped with the gearmotor mounting plate (**1**), flexible coupling (**2**), gusset (**3**), mounting plate (**4**), coupling guard (**11**) and cross plate (**5**) all attached to the gearmotor. Loose components shipped with the mounting kit include the mounting plate (**6**), button head cap screws (**18**), square key (**12**) and 8 mm x 12 mm socket head shoulder screws (**19**).

1. Remove the button head cap screws (**13**) securing the coupling guard to the gusset. Remove the guard and make sure the set screw, on the conveyor end of the coupling, is loosened far enough to allow the coupling to slide onto the outboard shaft (**7**).
2. Remove and discard the two tail plate screws (**B**) from the outboard shaft (**7**) side of the conveyor assembly.

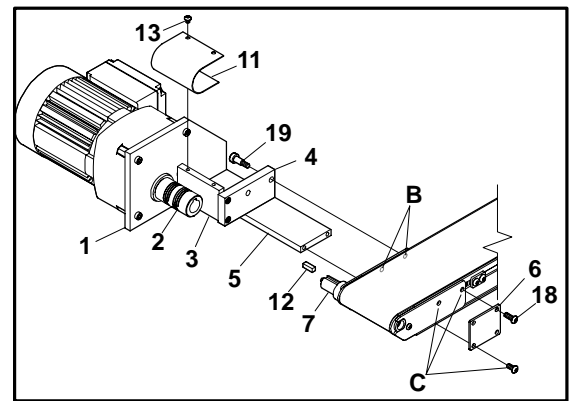


Figure 3: 2 to 12" (44 to 305 mm) wide Conveyors

3. Mount the assembly to the conveyor by placing the square key into the key way on the outboard shaft, and sliding the flexible coupling onto the shaft, as far as the key will allow.
4. Attach mounting plate to the conveyor using the 8 mm x 12 mm two socket head shoulder screws (**19**).

NOTE:

Be sure to tighten socket head shoulder screws with 80 in-lb (9 Nm) torque.

5. Remove and save the two tail plate screws (**C**) from side of conveyor assembly opposite the outboard shaft.
6. Using the tail plate screws (**C**) removed in previous step, attach mounting plate (**6**) to the end of the cross plate (**5**) and secure the plate to the conveyor using the two M6 x 16 mm button head cap screws (**18**).
7. Tighten flexible coupling set screws and re-assemble coupling guard to gusset using M5 x 6 mm button head cap screws, removed in step 1.

On conveyors measuring 13 to 24" (381 to 610 mm) wide (Figure 4), the cross plate is not assembled. The cross plate and attaching hardware will be shipped as loose components, in addition to those listed above.

8. Attach cross plate (**5**) to bottom of mounting plate (**4**) with two M6 x 12 mm socket head cap screws (**17**) and to gearmotor mounting plate (**1**) with two M6 x 20 mm socket head cap screws (**14**).
9. Follow steps 1 through 7 above.

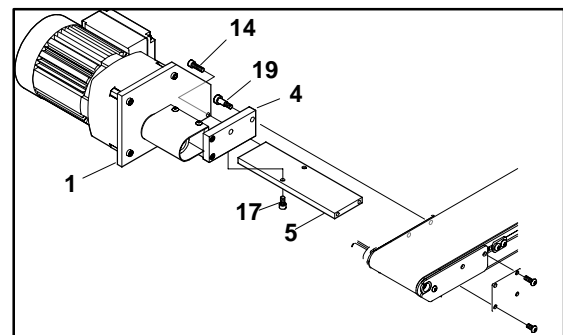
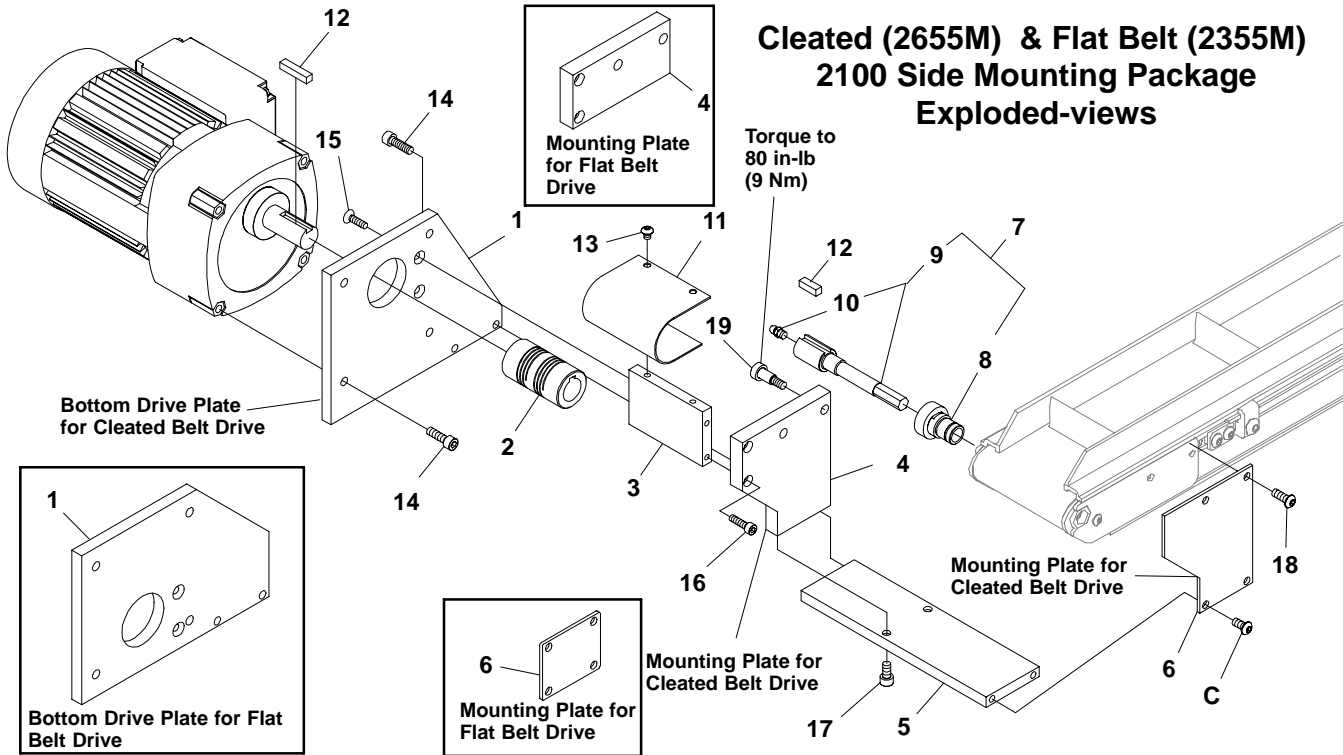


Figure 4: 13 to 24" (381 to 610 mm) wide Conveyors

Mounting Package Assembly Instructions

Cleated (2655M) & Flat Belt (2355M) 2100 Side Mounting Package Exploded-views



Item	Part No.	Part Description
1	210041M	Gearmotor Mounting Plate (Flat Belt)
	210054M	Gearmotor Mounting Plate (Cleated Belt)
2	807-601	Flexible Coupling
3	210047M	Side Drive Gusset
4	210039M	Mounting Plate (Flat Belt)
	210055M	Mounting Plate (Cleated Belt)
5	214202M	Side Drive Cross Plate 2" (44 mm)
	214203M	Side Drive Cross Plate 3" (70 mm)
	214204M	Side Drive Cross Plate 4" (95 mm)
	214205M	Side Drive Cross Plate 5" (127 mm)
	214206M	Side Drive Cross Plate 6" (152 mm)
	214208M	Side Drive Cross Plate 8" (203 mm)
	214210M	Side Drive Cross Plate 10" (254 mm)
	214212M	Side Drive Cross Plate 12" (305 mm)
	214218M	Side Drive Cross Plate 18" (457 mm)
	214224M	Side Drive Cross Plate 24" (610 mm)
6	210058M	Mounting Plate (Flat Belt)
	210057M	Mounting Plate (Cleated Belt)

Item	Part No.	Part Description
7	204003M	Outboard Shaft Ass'y 2" (44 mm)
	204004M	Outboard Shaft Ass'y 3" (70 mm)
	204005M	Outboard Shaft Ass'y 4 to 24" (95 to 610 mm)
8	200223	Outboard Bearing Retaining Sleeve
9	204732M	Drive Shaft Assembly 2" (44 mm)
	204733M	Drive Shaft Assembly 3" (70 mm)
	204734M	Drive Shaft Assembly 4 to 24" (95 to 610 mm)
10	810-292	Grease Fitting, M6-1.0 Straight [All Sizes Except 2" (44 mm)]
11	210048M	Side Drive Guard
12	980618M	Square Key (Undersized), 6 mm x 18 mm
13	910506M	Button Head Cap Screw, M5-0.8 x 6 mm
14	920620M	Socket Head Cap Screw, M6-1.0 x 20 mm
15	930518M	Flat Head Cap Screw, M5-0.8 x 18 mm
16	920518M	Socket Head Cap Screw, M5-0.8 x 18 mm
17	920612M	Socket Head Cap Screw, M6-1.0 x 12 mm
18	920616M	Socket Head Cap Screw, M6-1.0 x 16 mm
19	940812M	Socket Head Shoulder Screw, 8 mm x 12 mm

DORNER®

Dorner Mfg. Corp. reserves the right to change or discontinue products without notice. All products and services are covered in accordance with our standard warranty. All rights reserved. © Dorner Mfg. Corp. 1997

DORNER MFG. CORP.

580 Industrial Drive, PO Box 20
Hartland, WI 53029-0020 USA

USA

TEL 1-800-397-8664 (USA)

FAX 1-800-369-2440 (USA)

Outside the USA:

TEL 1-414-367-7600, FAX 1-414-367-5827

DORNER

Arnold-Sommerfeld-Ring 2
D-52499 Baesweiler

Germany

TEL (02401) 80 52 90

FAX (02401) 80 52 93