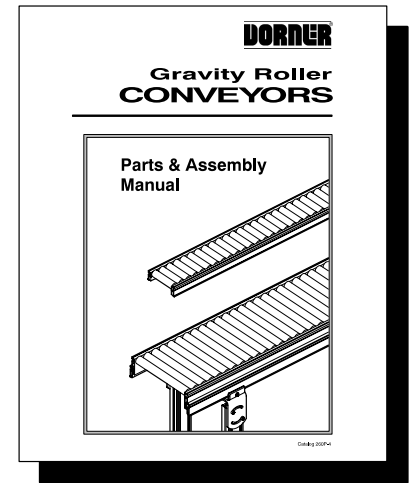


Supplement to Catalog 260P-4

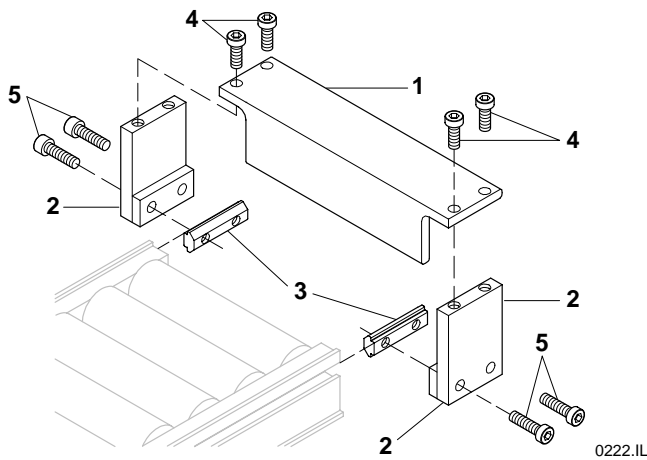
Parts and Assembly Manual for 2160/3160 Series Gravity Roller Conveyor

Update Parts List and Illustration for the Adjustable End Stop on Page 12.

The Adjustable End Stop you received may be different than the assembly shown on page 12 of the parts and assembly manual. The following parts list and illustration show the alternate Adjustable End Stop.



Adjustable End Stop



Item	Description	Part No.
1	Stop Bar (6")	307906
	Stop Bar (12")	307912
	Stop Bar (18")	307918
	Stop Bar (24")	307924
2	Stop Support Bracket	307600
3	Tee Bar	200830
4	Socket Head Cap Screw, 1/4-20 x .63"	902-130
5	Socket Head Cap Screw, 1/4-20 x 1.00"	902-136

Nominal Conveyor Widths are listed in (Inches) and Lengths are listed in (Feet).

Please keep this sheet with your Gravity Roller conveyor manual for future reference.

"Dorner Mfg. Corp. reserves the right to change information and specifications in this brochure without notice."

DORNER®

Dorner Mfg. Corp. reserves the right to change or discontinue products without notice. All products and services are covered in accordance with our standard warranty. All rights reserved. ©Dorner Mfg. Corp. 1997

DORNER MFG. CORP.

580 Industrial Drive, PO Box 20
Hartland, WI 53029-0020 USA

USA

TEL 1-800-397-8664 (USA)

FAX 1-800-369-2440 (USA)

Outside the USA:

TEL 1-414-367-7600, FAX 1-414-367-5827

DORNER

Arnold-Sommerfeld-Ring 2
D-52499 Baesweiler

Germany

TEL (02401) 80 52 90

FAX (02401) 80 52 93