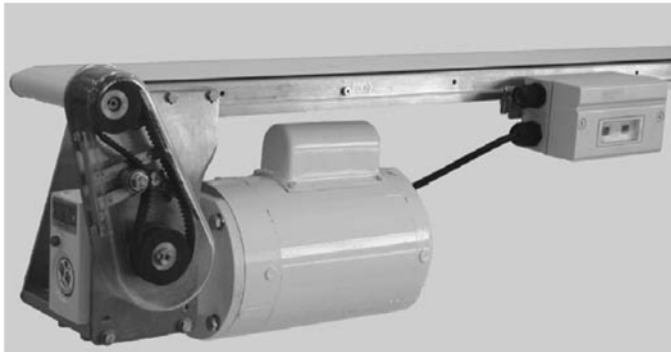




7200/7300 Series Bottom Mount Drive Package for Heavy Load 90° Sanitary Gearmotors

Installation, Maintenance & Parts Manual



DORNER MFG. CORP.
P.O. Box 20 • 975 Cottonwood Ave.
Hartland, WI 53029-0020 USA

INSIDE THE USA
TEL: 1-800-397-8664
FAX: 1-800-369-2440

OUTSIDE THE USA
TEL: 262-367-7600
FAX: 262-367-5827

For other service manuals visit our website at:
www.dorner.com/service_manuals.asp

Table of Contents

Introduction	2	Single-phase Motor Starter	11
Warnings - General Safety	3	Three-phase Motor Starter	11
Product Description	4	VFD Controllers	12
Specifications	4	Preventive Maintenance & Adjustment	13
Installation	6	Required Tools	13
Required Tools	6	Timing Belt or Chain Replacement.....	13
Recommended Installation Sequence	6	A – Timing Belt Replacement	13
Bottom Mount Assembly Installation.....	6	B – Timing Chain Replacement	14
A – 7200 Series Bottom Mount Assembly Installation	7	Timing Belt or Chain Tensioning.....	15
B – 7300 Series Bottom Mount Assembly Installation	7	Gear Reducer Replacement	16
Timing Belt or Chain Installation	8	Motor Replacement	18
A – Timing Belt Installation	8	Service Parts.....	19
B – Timing Chain Installation.....	9	7200/7300 Series Drive Mounting Components	19
Motor Installation	10	Return Policy.....	22
Motor Starter Mounting	11		
Wiring	11		

Introduction


IMPORTANT

<i>Some illustrations may show guards removed. DO NOT operate equipment without guards.</i>

Upon receipt of shipment:

- Compare shipment with packing slip. Contact factory regarding discrepancies.
- Inspect packages for shipping damage. Contact carrier regarding damage.
- Accessories may be shipped loose. See accessory instructions for installation.

Dorner's Limited Warranty applies.

Dorner has convenient, pre-configured kits of Key Service Parts for all conveyor products. These time saving kits are easy to order, designed for fast installation, and guarantee you will have what you need when you need it. Key Parts and Kits are marked in the Service Parts section of this manual with the Performance Parts Kits  logo.

Dorner 7200 and 7300 Series conveyors are covered by patent number 5174435, 6109427 and corresponding patents and patent applications in other countries.

Dorner reserves the right to make changes at any time without notice or obligation.

Warnings - General Safety

WARNING

The safety alert symbol, black triangle with white exclamation, is used to alert you to potential personal injury hazards.

DANGER



Climbing, sitting, walking or riding on conveyor will cause severe injury.
KEEP OFF CONVEYORS.

DANGER



DO NOT OPERATE CONVEYORS IN AN EXPLOSIVE ENVIRONMENT.

DANGER



Hazardous voltage will cause severe injury or death.
LOCK OUT POWER BEFORE WIRING.

WARNING



Gearmotors may be **HOT**.
DO NOT TOUCH Gearmotors.

WARNING



Exposed moving parts can cause severe injury.
LOCK OUT POWER before removing guards or performing maintenance.

WARNING



Dorner cannot control the physical installation and application of conveyors. Taking protective measures is the responsibility of the user.
When conveyors are used in conjunction with other equipment or as part of a multiple conveyor system, **CHECK FOR POTENTIAL PINCH POINTS** and other mechanical hazards before system start-up.

Product Description

Refer to Figure 1 for typical components.

- | | |
|---|-----------------------|
| A | Conveyor |
| B | Bottom Mount Assembly |
| C | Motor |
| D | Timing Belt Tensioner |
| E | Cover |
| F | Timing Belt |
| G | Drive Pulley |
| H | Driven Pulley |
| I | Motor Control |

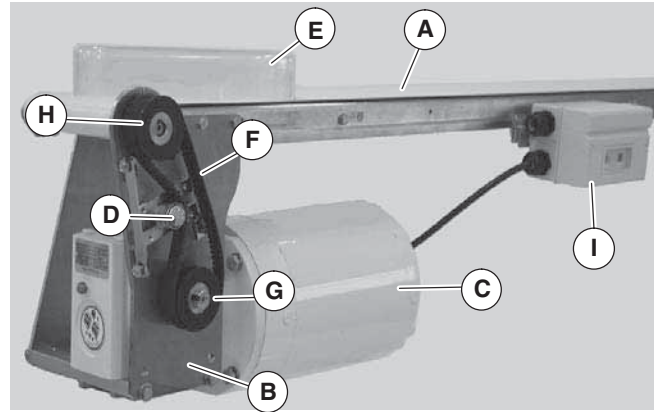


Figure 1

Specifications

Gearmotor Mounting Package Models:

Example:

Example:
72 M B L Z WW A - 1932

- 72 — Conveyor Series: 72 = 7200, 73 = 7300
- M — Language Code: M = U.S. English
- B — Mount Style: B = Bottom Mount
- L — Output Shaft Type: L = 90° Left Hand, Heavy Load; R = 90° Right Hand, Heavy Load
- Z — Gearmotor Type: Z = Heavy Load, Sanitary; ZS = Heavy Load, Stainless Steel, Sanitary
- WW — Conveyor Width Reference*
- A — Mount Position = A, B, C or D (see detail to the right)
- 1932 — Drive/Driven Pulleys (See tables 2 & 3)

* See "Ordering and Specifications" Catalog for details.

Table 1: Gearmotor Specifications

	Single-Phase	Three-Phase	VFD Variable Speed	DC Variable Speed
Output Power	0.5 hp (0.37 kw)			.33 hp (0.25 kw)
Input Voltage	115 Volts A.C.	208-230/460 Volts A.C.	230 Volts A.C.	90 Volts D.C.
Input Frequency	60 Hz	60 Hz	10 to 60 Hz	N/A
Full Load Amperes	6.8 Amperes	1.8 - 1.6/.8 Amperes	1.6 Amperes	3.2 Amperes
Gearmotor Ratios	5:1, 15:1 and 50:1			
Protection Ratings	IP55 for Gearmotor and Motor Starter			

Specifications

Table 2: Heavy Load Fixed Speed 90° Sanitary 60 Hz Gearmotors

Gearmotor				Conveyor Belt Speed		Belt Drive		Chain Drive	
Gear Ratio	RPM	In-lb	N-m	ft/min	M/min	Drive Pulley	Driven Pulley	Drive Sprocket	Driven Sprocket
50:1	35	380	42.9	7	2.1	19	32	–	–
50:1	35	380	42.9	14	4.3	–	–	12	10
50:1	35	380	42.9	17	5.2	44	32	–	–
50:1	35	380	42.9	24	7.3	–	–	20	10
15:1	115	146	16.5	35	10.7	28	32	–	–
15:1	115	146	16.5	49	14.9	–	–	12	10
15:1	115	146	16.5	56	17.1	44	32	–	–
15:1	115	146	16.5	73	22.3	–	–	18	10
15:1	115	146	16.5	81	24.7	44	22	–	–
5:1	345	55	6.2	106	32.3	28	32	–	–
5:1	345	55	6.2	145	44.2	–	–	12	10
5:1	345	55	6.2	167	50.9	44	32	–	–
5:1	345	55	6.2	190	57.9	44	28	–	–
5:1	345	55	6.2	264	80.5	48	22	–	–

Table 3: Heavy Load Variable Speed 90° Sanitary VFD and DC Gearmotors

Gearmotor				Conveyor Belt Speed		Belt Drive		Chain Drive	
Gear Ratio	RPM	In-lb	N-m	ft/min	M/min	Drive Pulley	Driven Pulley	Drive Sprocket	Driven Sprocket
50:1	35	380	42.9	1.2 – 7	0.4 – 2.1	19	32	–	–
50:1	35	380	42.9	2.3 – 14	0.7 – 4.3	–	–	12	10
50:1	35	380	42.9	2.8 – 17	0.9 – 5.2	44	32	–	–
50:1	35	380	42.9	4.0 – 24	1.2 – 7.3	–	–	20	10
15:1	115	146	16.5	5.8 – 35	1.8 – 10.7	28	32	–	–
15:1	115	146	16.5	8.2 – 49	2.5 – 14.9	–	–	12	10
15:1	115	146	16.5	9.3 – 56	2.8 – 17.1	44	32	–	–
15:1	115	146	16.5	12.2 – 73	3.7 – 22.3	–	–	18	10
15:1	115	146	16.5	13.5 – 81	4.1 – 24.7	44	22	–	–
5:1	345	55	6.2	17.7 – 106	5.4 – 32.3	28	32	–	–
5:1	345	55	6.2	24.2 – 145	7.4 – 44.2	–	–	12	10
5:1	345	55	6.2	27.8 – 167	8.5 – 50.9	44	32	–	–
5:1	345	55	6.2	31.7 – 190	9.7 – 57.9	44	28	–	–
5:1	345	55	6.2	44 – 264	13.4 – 80.5	48	22	–	–

* At 60 Hz (AC motors)

NOTE

For belt speed other than those listed, contact factory for details.

Installation

Required Tools

- Wrenches (for hexagon head fasteners)
7mm, 8mm, 10mm, 9/16"
- 2.5 mm hex key wrench
- Straight edge
- Torque wrench

Recommended Installation Sequence

- Install bottom mount assembly on conveyor
- Attach support stand to bottom mount assembly (see accessory instructions)
- Attach other support stand(s) to conveyor (see accessory instructions)
- Install timing belt or timing chain
- Install motor
- Mount motor starter
- Wire motor starter

NOTE

7200 Series drive mounting package with a timing chain shown. 7300 Series and timing belt drive mounting packages are similar.

Typical Drive Mounting Package Components:

J	Bottom Mount Assembly
K	Hexagon Head Cap Screws (4x)
L	Timing Chain or Timing Belt
M	Driven Sprocket or Pulley
N	Drive Cover
O	Motor Key, 3/16" Square
P	Motor Mounting Screws & Washers (4x)
Q	Drive Sprocket or Pulley
R	Motor
S	Gear Reducer
T	Motor Starter
U	M6 x 20mm Hex Head Screws (2x)
V	Accessory Mounting Clips
W	Key, 4mm Square
X	Anti-seize Compound

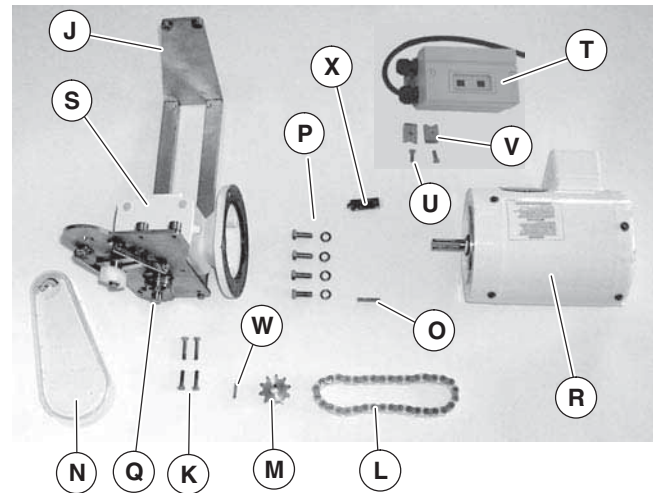


Figure 2

Bottom Mount Assembly Installation

WARNING



Exposed moving parts can cause severe injury.
LOCK OUT POWER before removing guards or performing maintenance.

1. Remove screws (Figure 3, item Y) from both sides of conveyor.

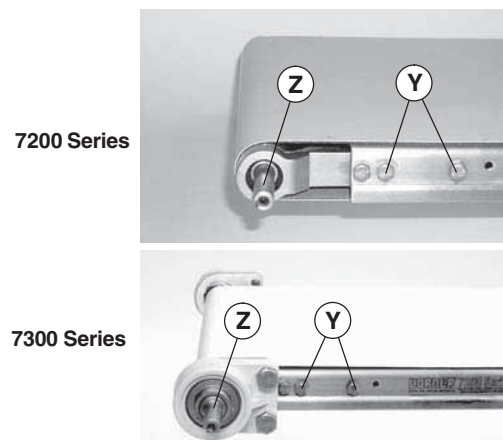


Figure 3

- A– 7200 Series Bottom Mount Assembly Installation.
- B – 7300 Series Bottom Mount Assembly Installation.

A – 7200 Series Bottom Mount Assembly Installation

NOTE

7200 Series 4" (102mm) and wider mounting assembly shown. 2" (51mm) and 3" (76mm) wide mounting assemblies include two spacer tubes (Figure 5, item AB) and two long M6 screws (AC).

1. For 4" (102mm) and wider conveyors, loosen two screws (Figure 4, item AA). Attach bottom mount assembly (J) to conveyor with four screws (K). Tighten screws (K) and (AA) to 92 in-lb (10.4 Nm).

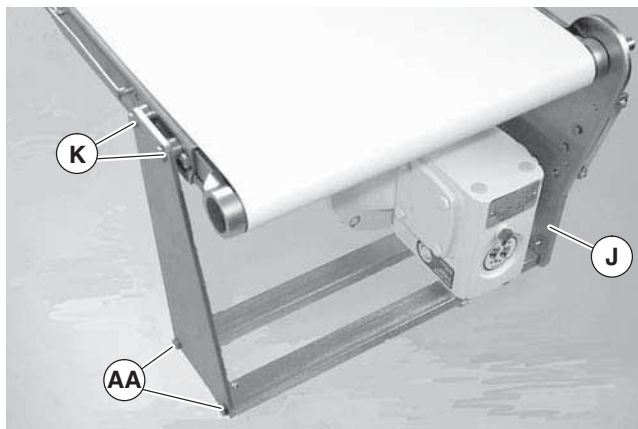


Figure 4

2. For 2" (51mm) and 3" (76mm) conveyors, loosen two screws (Figure 4, item AA). Attach bottom mount assembly (Figure 5, item J) to conveyor with two spacer tubes (AB) and screws (AC), and two screws (K). Tighten all screws to 92 in-lb (10.4 Nm).

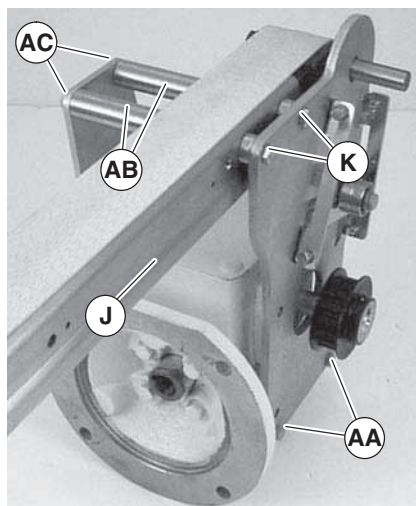


Figure 5

B – 7300 Series Bottom Mount Assembly Installation

NOTE

7300 Series 2" (51mm) wide mounting assembly shown. Installation of 3" (76mm) and 4" (102mm) and wider mounting assemblies are similar.

The lengths of spacer tubes (Figure 6, item AF) and hex head cap screws (AG) are based on conveyor width. The proper lengths are provided with the drive mounting package.

1. Loosen four screws (Figure 4, item AA) and (Figure 6, item AA). Attach bottom mount assembly (J) to conveyor with two 1.758" (44.7mm) long spacer tubes (AD) and M6 x 65mm hex head cap screws (AE), and two spacer tubes (AF) and screws (AG). Tighten all screws to 92 in-lb (10.4 Nm).

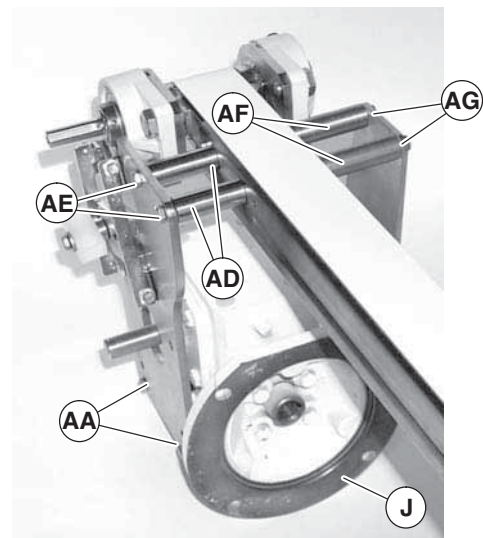


Figure 6

Installation

Timing Belt or Chain Installation

- A – Timing Belt Installation.
- B – Timing Chain Installation.

A – Timing Belt Installation

⚠ WARNING

Drive shaft keyway may be sharp. HANDLE WITH CARE.

1. Install key (Figure 7, item W) into conveyor drive shaft (Z).

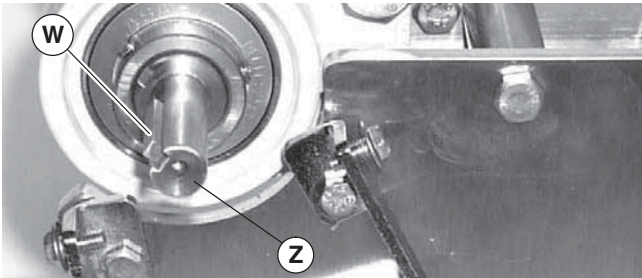


Figure 7

2. Depending on conveyor belt travel (direction 1 or 2 of Figure 8), locate timing belt tensioner (AH), as shown. Do not tighten tensioner screw.

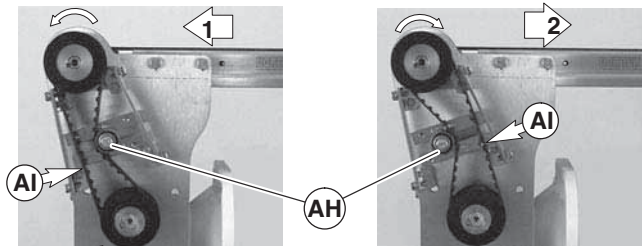


Figure 8

3. Wrap timing belt (Figure 7, item L) around driven pulley (M) and drive pulley (Q). Attach driven pulley (M) to conveyor shaft.

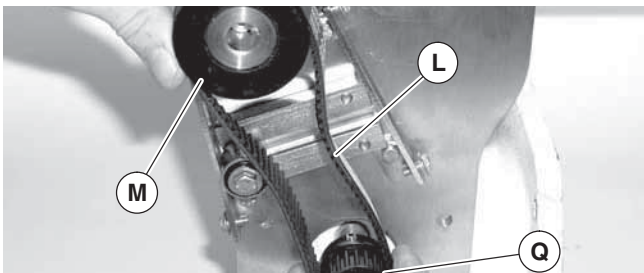


Figure 9

4. Using a straight edge (Figure 10, item AK), align driven pulley (M) with drive pulley (Q). Tighten two driven pulley set screws (AL).

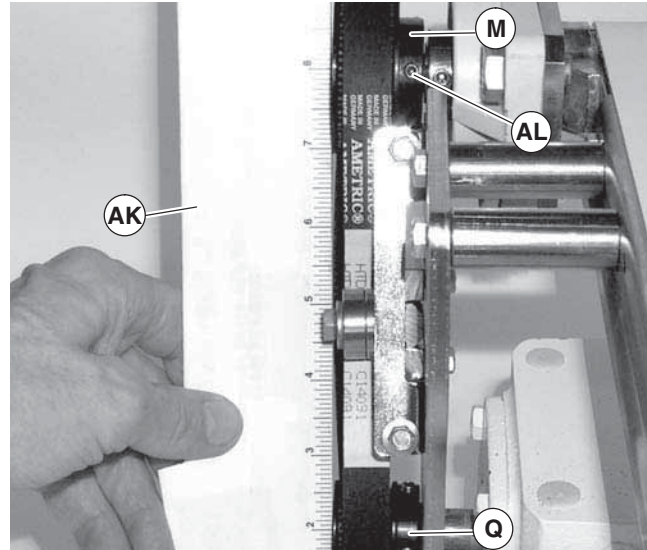


Figure 10

5. Tension timing belt to obtain 1/8" (3 mm) deflection for 1 lb (4.3 N) of force at timing belt mid-point (Figure 8, item AI). Tighten tensioner screw to 38 ft-lb (51 Nm).

NOTE

Do not over-tighten screws (Figure 11, item AJ).

6. Attach cover (Figure 11, item N) with four screws (AJ). Tighten screws to 35 in-lb (4 Nm).

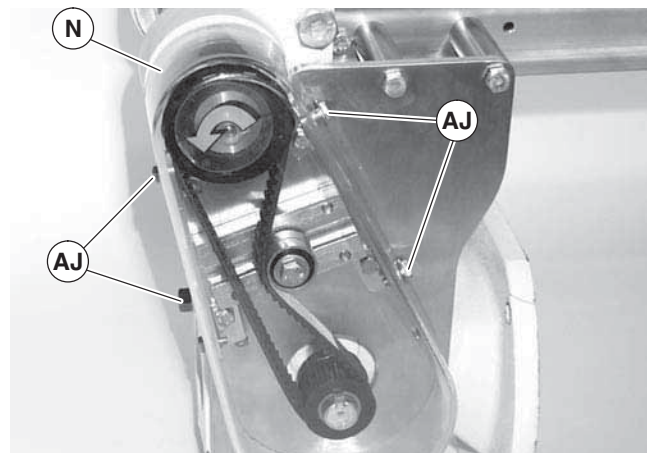


Figure 11

B – Timing Chain Installation

⚠ WARNING

Drive shaft keyway may be sharp. HANDLE WITH CARE.

1. Install key (Figure 12, item W) into conveyor drive shaft (Z).

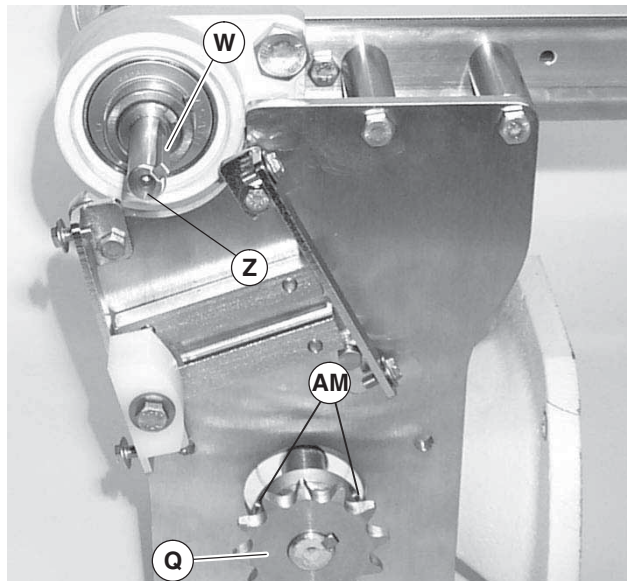


Figure 12

NOTE
<i>Depending on sprocket sizes, it may be necessary to remove drive sprocket (Figure 12, item Q) by loosening two set screws (AM) to install chain and sprockets.</i>

2. Depending on conveyor belt travel (direction 1 or 2 of Figure 13), locate timing chain tensioner (AN) as shown. Do not tighten tensioner screw.

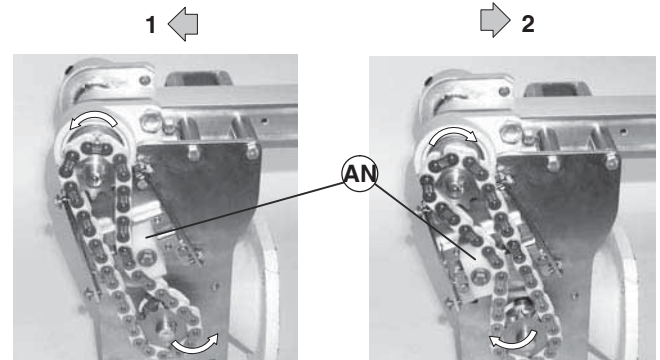


Figure 13

3. Install timing chain (Figure 14, item L) over sprockets (M and Q). Install timing chain and sprockets on conveyor input shaft (Z) and gear reducer output shaft (AO). Do not tighten sprocket set screws.

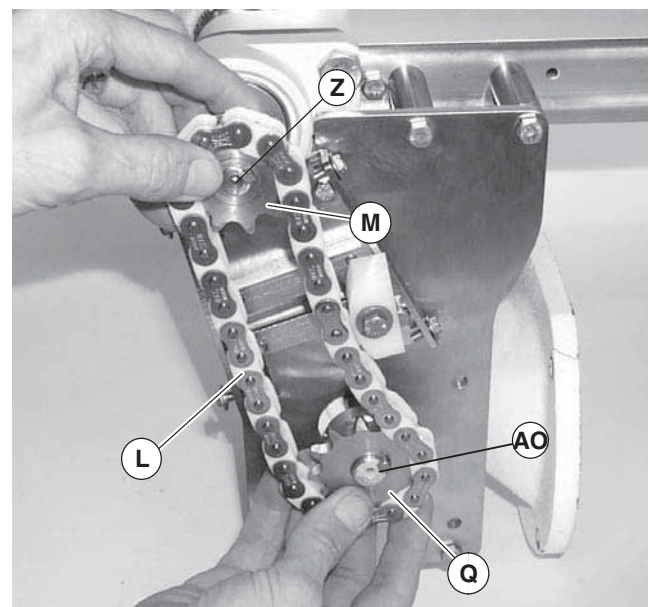


Figure 14

IMPORTANT
<i>Make sure center of timing chain (Figure 15, item L) aligns with center of chain tensioner (AN). If necessary, loosen two set screws (AM) to move drive sprocket (Q) in or out. Tighten set screws. Also, if necessary, loosen two set screws (AP) to move driven sprocket (M) in or out. Tighten set screws.</i>

Installation

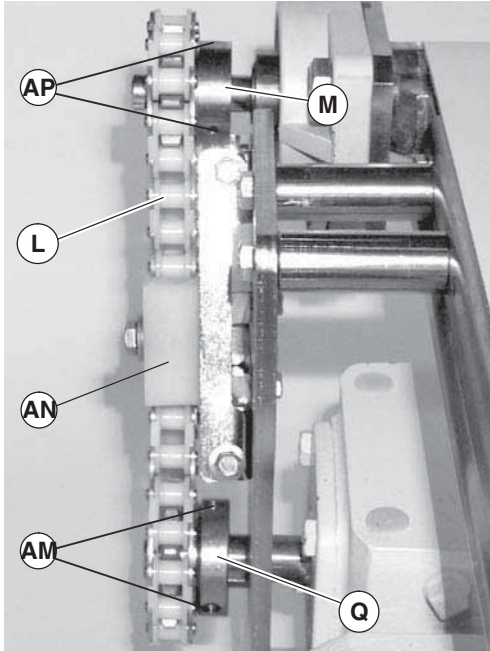


Figure 15

NOTE

Do not over-tension chain (L). Only tension chain until slack is removed.

- Slide chain tensioner (AN) to take up chain slack. Tighten chain tensioner screw to 92 in-lb (10.4 Nm).

NOTE

Do not over-tighten screws (Figure 16, item AJ).

- Install cover (Figure 16, item N) and tighten four screws (AJ) to 35 in-lb (4 Nm).

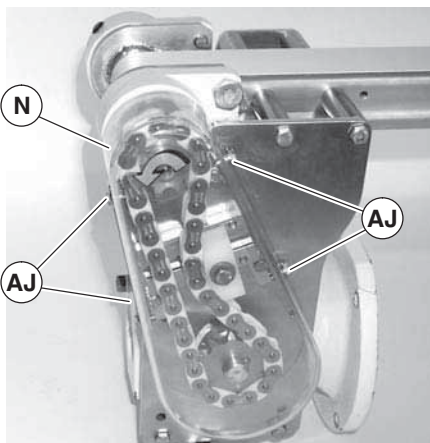


Figure 16

Motor Installation

WARNING



**Drive shaft keyway may be sharp.
HANDLE WITH CARE.**

- Install key (Figure 17, item O).

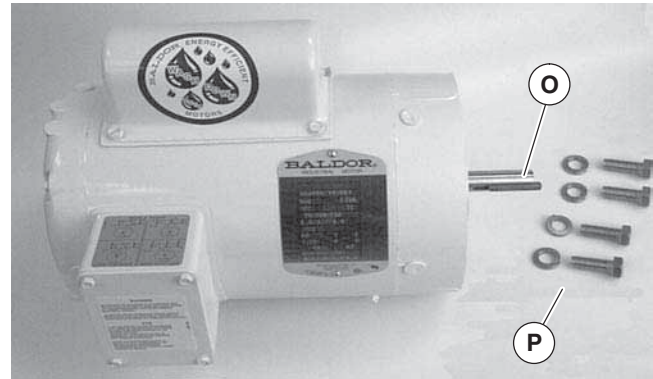


Figure 17

- Apply anti-seize compound (Figure 18, item X) to motor shaft.

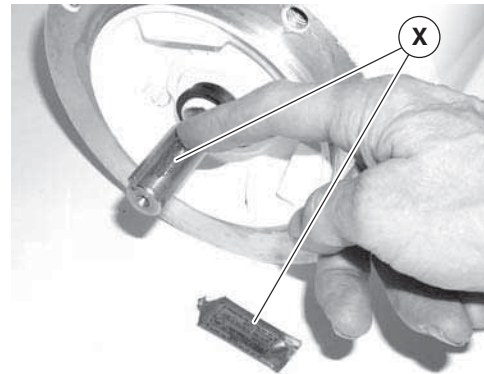


Figure 18

IMPORTANT

Be extremely careful when coupling motor to gear reducer. Avoid misalignment and forcing the connection causing possible permanent gear reducer seal damage.

- Attach motor (Figure 19, item R) to gear reducer (S) with four screws and lock washers (P). Tighten screws to 32 ft-lb (41 Nm).

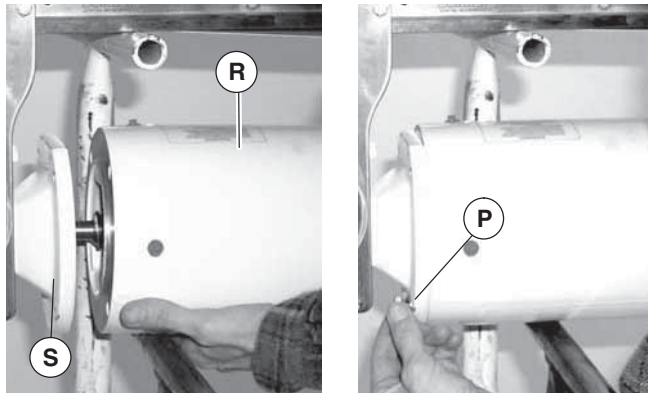


Figure 19

Motor Starter Mounting

NOTE

Single-phase Motor Starter shown, Three-phase Starter similar. For VFD controller mounting, see accessory instructions.

- Attach two accessory mounting clips (Figure 20, item V) to motor starter (T) with two M6 x 20mm hex head cap screws (U). Do not tighten screws.

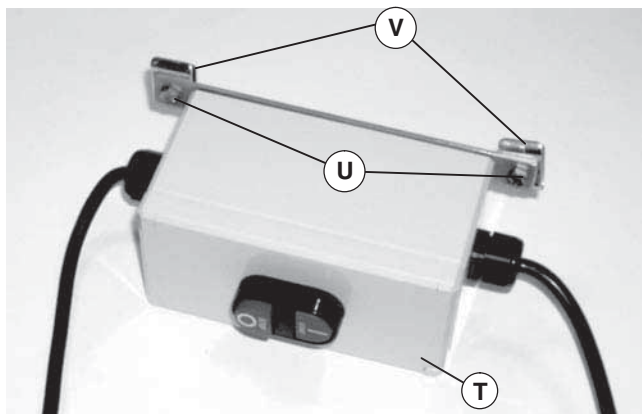


Figure 20

- Attach motor starter (Figure 21, item T) with clips to conveyor. Tighten screws (U) to 92 in-lb (10.4 Nm).

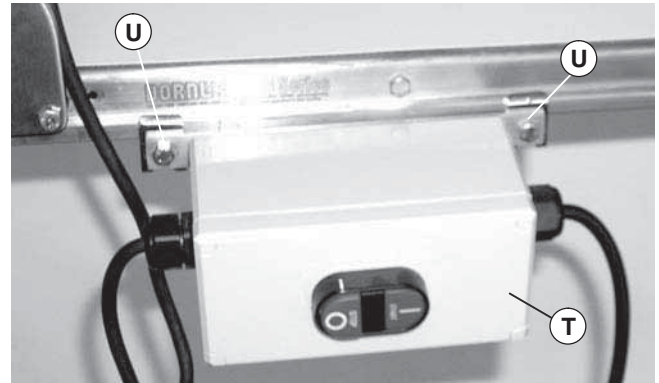


Figure 21

Wiring

Single-phase Motor Starter

NOTE

Power cord must be plugged into a GFI outlet. No additional wiring is required.

Three-phase Motor Starter

⚠ DANGER



Hazardous voltage will cause severe injury or death.

LOCK OUT POWER BEFORE WIRING.

NOTE

230 volt three-phase manual motor starters must be wired in accordance with applicable electrical codes.

- Loosen cover screws (Figure 22, item AQ). Remove cover.

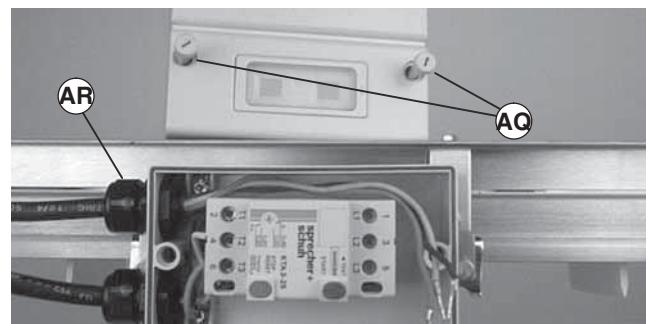


Figure 22

Installation

NOTE

Line cord must be 0.28" (7 mm) minimum to 0.47" (12 mm) maximum in diameter.

2. Insert line cord through grip (AR) and tighten nut.
3. For correct three-phase motor shaft rotation, connect line phase sequence L1, L2 & L3 to terminals as shown (Figure 23).

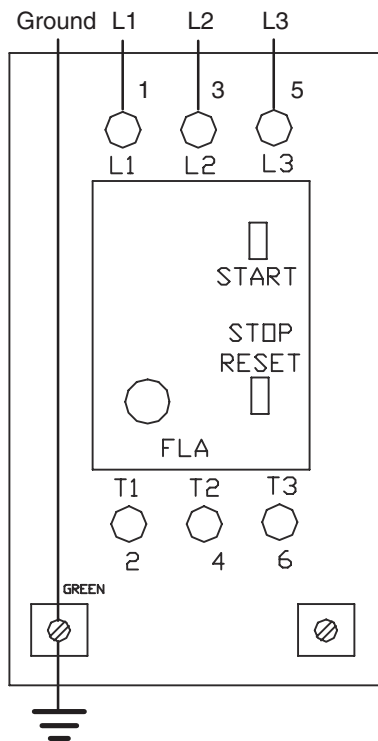


Figure 23

WARNING

Controller must be properly grounded. Failure to properly ground control box may cause injury to personnel.

NOTE

The motor ground wire is also attached to left terminal marked \perp (Figure 23).

4. Attach ground wire to lower left terminal marked \perp (Figure 23).
5. Install cover and tighten screws (Figure 22, item AQ).

VFD Controllers

NOTE


Refer to VFD Controller Set-up, Operation & Maintenance Manual.

Preventive Maintenance & Adjustment

Required Tools

- Wrenches (for hexagon head fasteners) 7mm, 8mm, 10mm, 1/2", 9/16"
- Hex key wrenches (for set screws) 2mm, 2.5mm
- Straight edge
- Torque wrench

Timing Belt or Chain Replacement

⚠ WARNING

Exposed moving parts can cause severe injury. LOCK OUT POWER before removing guards or performing maintenance.

Replace timing belt or chain following instructions:

- A – Timing Belt Replacement
- B – Timing Chain Replacement

A – Timing Belt Replacement

1. Loosen four (4) screws (Figure 24, item AJ) and remove cover (N).

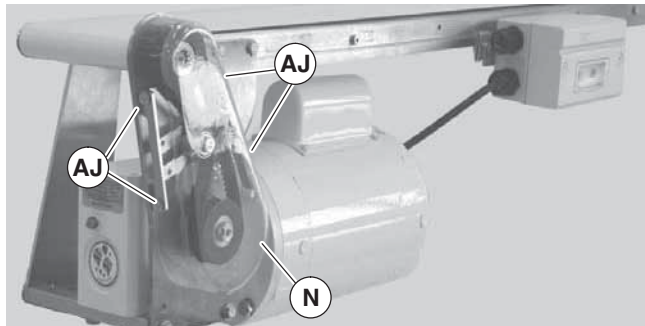


Figure 24

2. Loosen tensioner (Figure 25, item AH).

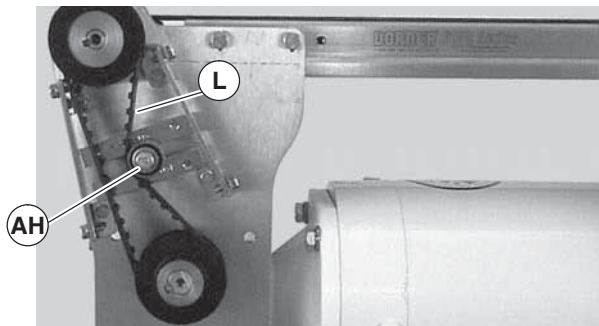


Figure 25

3. Remove timing belt (L).

NOTE

If timing belt does not slide over pulley flange, loosen two driven pulley set screws (Figure 26, item AP) and remove pulley with belt. For belt and pulley installation, see steps 3 and 4 on page 8.

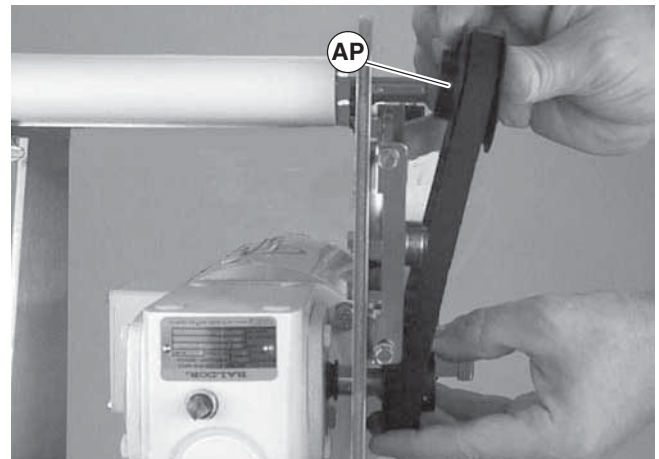


Figure 26

4. Install new timing belt.
5. Depending on conveyor belt travel (1 or 2 of Figure 27), locate timing belt tensioner (AH) as shown. Tension timing belt to obtain 1/8" (3 mm) deflection for 1 lb (4.3 N) of force at timing belt mid-point (AI). Tighten tensioner to 38 ft-lb (51 Nm).

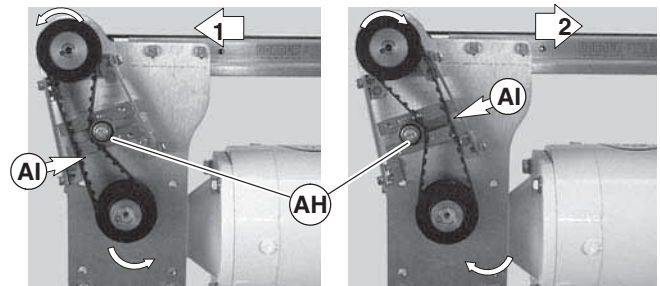


Figure 27

NOTE

Do not over-tighten screws (Figure 24, item AJ).

6. Attach cover (Figure 24, item N) and tighten four (4) screws (AJ) to 35 in-lb (4 Nm).

Preventive Maintenance & Adjustment

B – Timing Chain Replacement

1. Loosen four screws (Figure 28, item AJ) and remove cover (N).

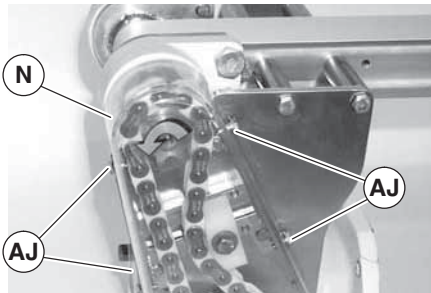


Figure 28

2. Loosen timing chain tensioner screw (Figure 29, item AS).

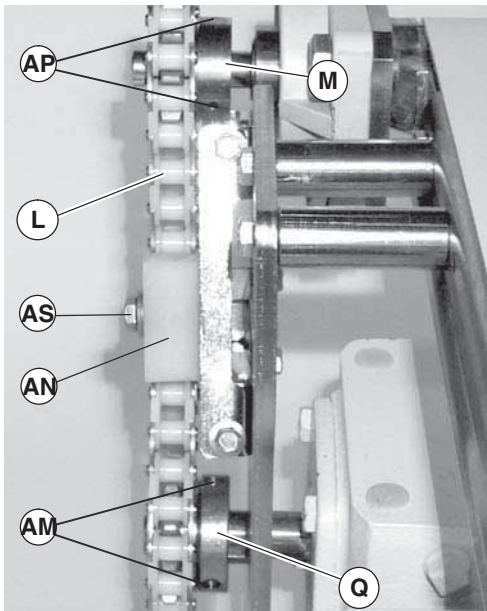


Figure 29

3. Loosen four set screws (AM) and (AP).
4. Remove timing chain (L) and sprockets (M and Q) from conveyor input shaft and gear reducer output shaft. Make sure to retain sprocket keys.
5. Depending on conveyor belt travel (direction 1 or 2 of Figure 30), locate timing chain tensioner (AN) as shown. Do not tighten tensioner screw.

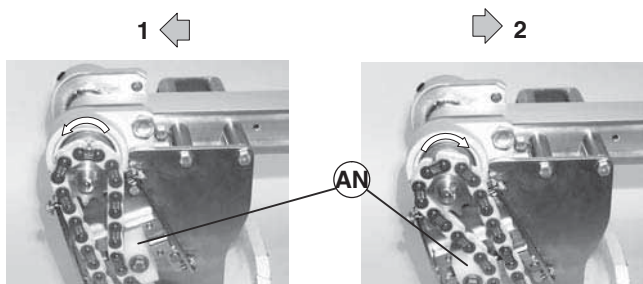


Figure 30

NOTE

Make sure sprocket keys are installed on conveyor input shaft (Figure 31, item Z) and gear reducer output shaft (AO).

6. Install timing chain (L) over sprockets (M and Q). Install timing chain and sprockets on conveyor input shaft (Z) and gear reducer output shaft (AO). Do not tighten sprocket set screws.

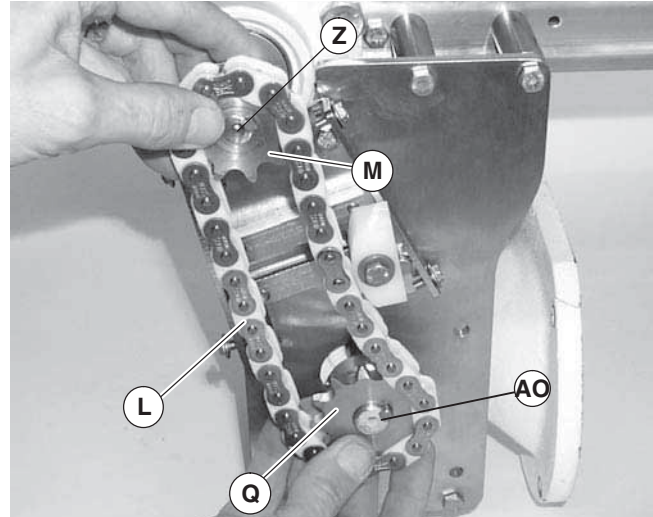


Figure 31

IMPORTANT

Make sure center of timing chain (Figure 29, item L) aligns with center of chain tensioner (AN). If necessary, loosen two set screws (AM) to move drive sprocket (Q) in or out. Tighten set screws. Also, if necessary, loosen two set screws (AP) to move driven sprocket (M) in or out. Tighten set screws.

NOTE

Do not overtension chain (L). Only tension chain until slack is removed.

7. Slide chain tensioner (AN) to take up chain slack. Tighten chain tensioner screw (Figure 29, item AS) to 92 in-lb (10.4 Nm).


NOTE

Do not over-tighten screws (Figure 28, item AJ).

8. Install cover (Figure 28, item N) and tighten four screws (AJ) to 35 in-lb (4 Nm).

Preventive Maintenance & Adjustment

Timing Belt or Chain Tensioning

⚠ WARNING

<p>Exposed moving parts can cause severe injury.</p> <p>LOCK OUT POWER before removing guards or performing maintenance.</p>

NOTE
<p>Figure 32 through Figure 35 shown tensioning procedure for a timing belt. Tensioning a timing chain is similar except as noted.</p>

1. Loosen four (4) screws (Figure 32, item AJ) and remove cover (N).

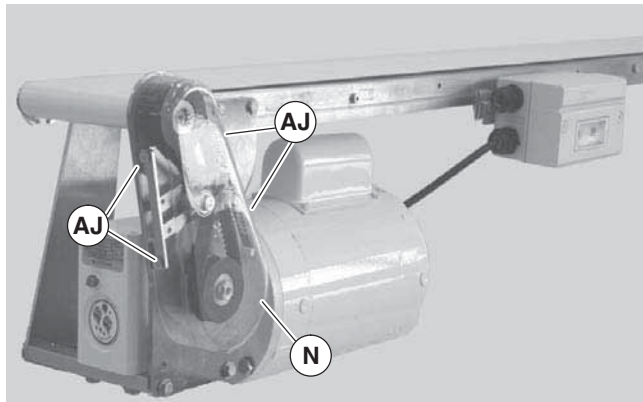


Figure 32

2. Loosen tensioner (Figure 33, item AH).

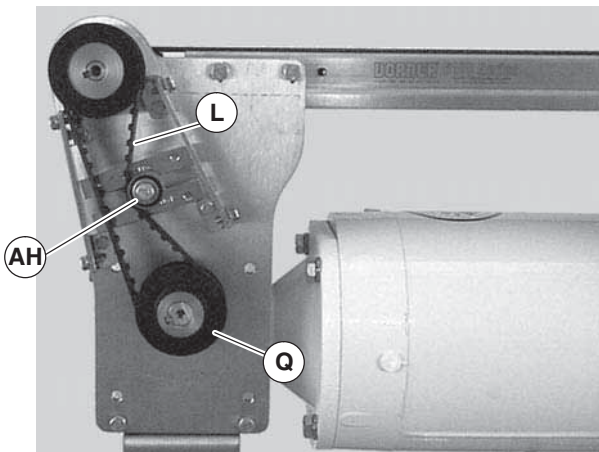


Figure 33

3. Depending on direction of conveyor belt travel (1 or 2 of Figure 34), position belt tensioner (AH) as shown.

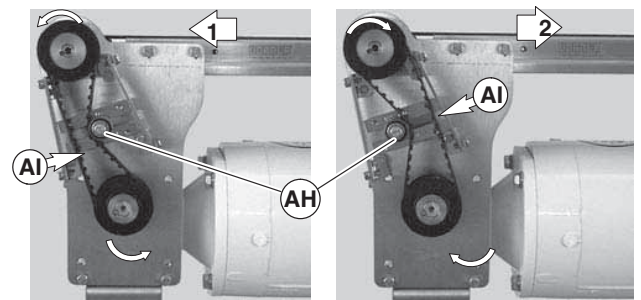


Figure 34

4.
 - a. Tension belt to obtain 1/8" (3 mm) deflection for 1.0 lb (456 grams) of force at belt mid-point (AI). Tighten tensioner screw to 103 in-lb (12 Nm).

NOTE
<p><i>Do not overtension chain (L). Only tension chain until slack is removed.</i></p>

- b. Slide chain tensioner (AN) to take up chain slack. Tighten chain tensioner screw (Figure 29, item AS) to 92 in-lb (10.4 Nm).

NOTE
<p><i>Do not over-tighten screws (Figure 35, item AJ).</i></p>

5. Attach cover (Figure 35, item N) with four (4) screws (AJ). Tighten screws to 35 in-lb (4 Nm).

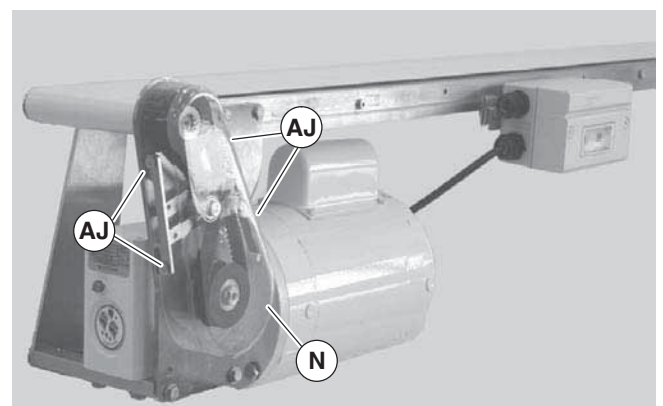


Figure 35

Preventive Maintenance & Adjustment

Gear Reducer Replacement

⚠ WARNING



Exposed moving parts can cause severe injury.
LOCK OUT POWER before removing guards or performing maintenance.

NOTE

Figure 36 through Figure 45 shown gear reducer replacement procedure for a timing belt drive. Timing chain drive is similar except as noted.

1. Loosen four (4) screws (Figure 36, item AJ) and remove cover (N).

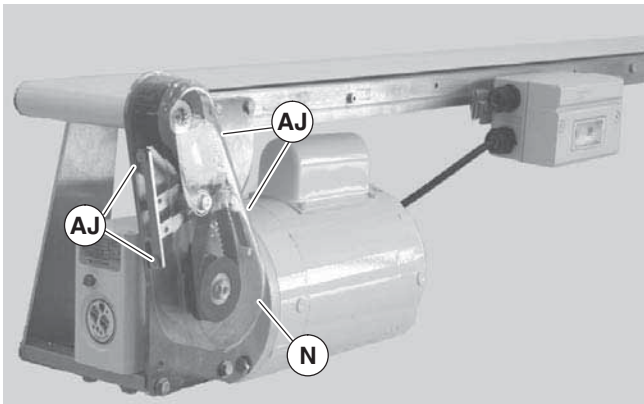


Figure 36

2. Loosen tensioner (Figure 37, item AH).

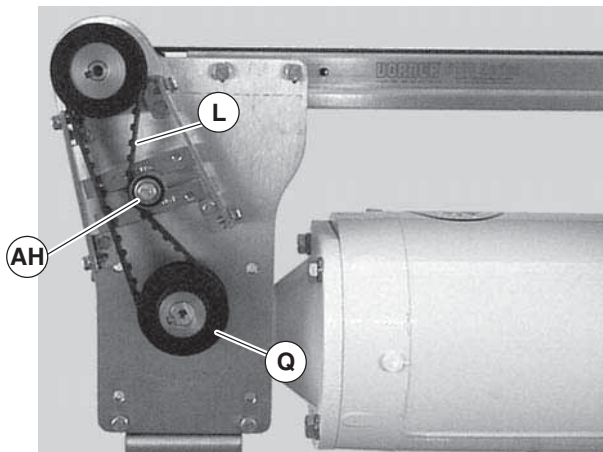


Figure 37

NOTE

For a timing chain, it may be necessary to remove driven sprocket (Figure 29, item M) by loosening two set screws (AP) to remove drive sprocket (Figure 38, item AM).

3. Loosen two drive pulley or sprocket set screws (Figure 38, item AM). Remove drive pulley or sprocket (Q) and timing belt (L).

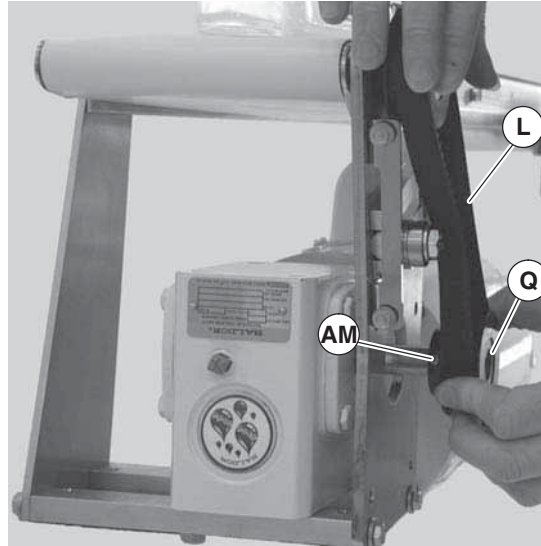


Figure 38

4. Remove four screws and washers (Figure 39, item P). Remove motor (R) from gear reducer (S).

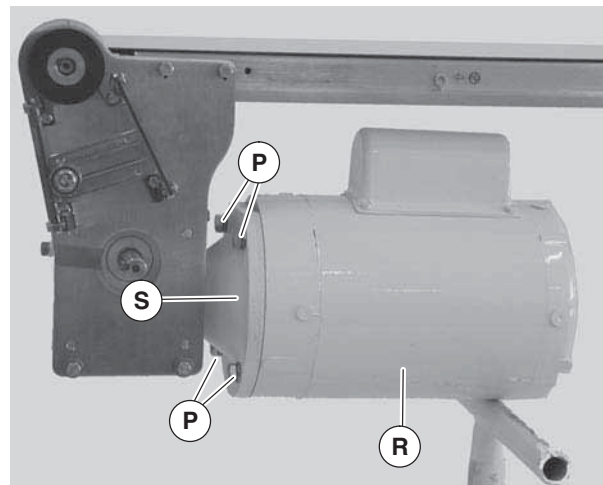


Figure 39

Preventive Maintenance & Adjustment

- Remove four (4) gear reducer mounting screws (Figure 40, item AT). Remove gear reducer (S).

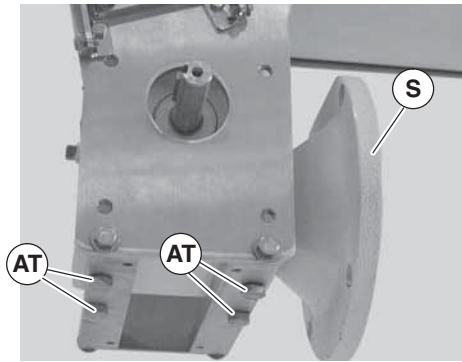


Figure 40

- Attach new gear reducer to bottom mount with four screws (AT).

IMPORTANT

Be extremely careful when coupling motor to gear reducer. Avoid misalignment and forcing the connection causing possible permanent gear reducer seal damage.

- With key (Figure 41, item O) in keyway, slide motor (R) and gear reducer (S) together. Install four lock washers and screws (P) and tighten.

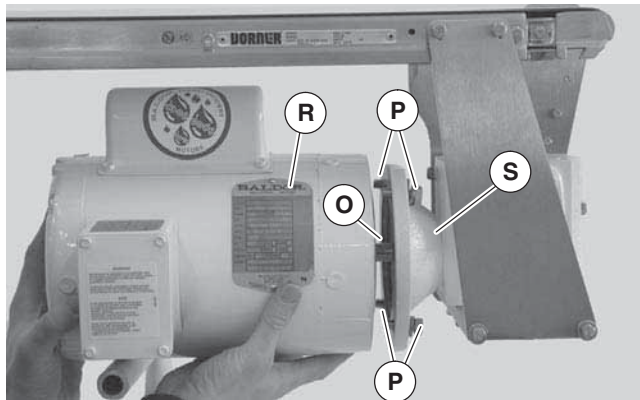


Figure 41

NOTE

For a timing chain, perform steps 2 through 5 under "B – Timing Chain Installation" on page 9.

- Wrap timing belt (Figure 42, item L) around drive pulley (Q) and driven pulley (M). Attach drive pulley (Q) to gear reducer shaft.

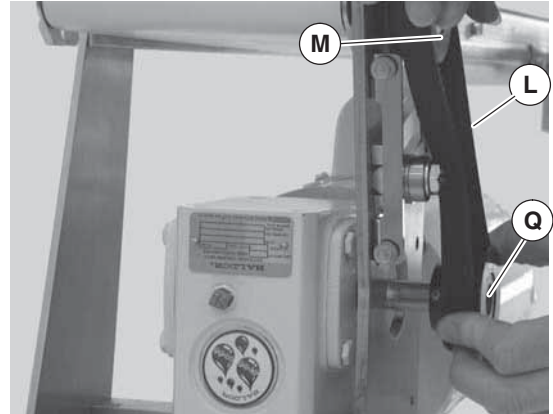


Figure 42

- Using a straight edge (Figure 10, item AK), align drive pulley (Q) with driven pulley (M). Tighten drive pulley set screws (AM).

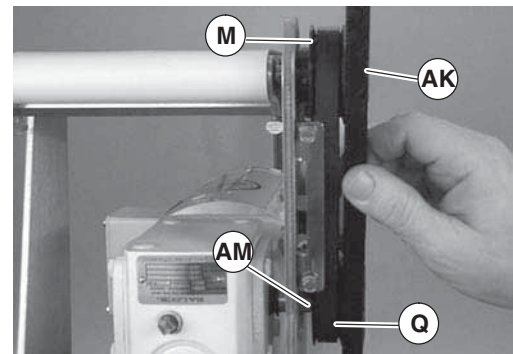


Figure 43

- Depending on conveyor belt travel (1 or 2 of Figure 44), locate timing belt tensioner (AH), as shown. Tension timing belt to obtain 1/8" (3 mm) deflection for 1 lb (4.3 N) of force at timing belt mid-point (AI). Tighten tensioner to 38 ft-lb (51 Nm)

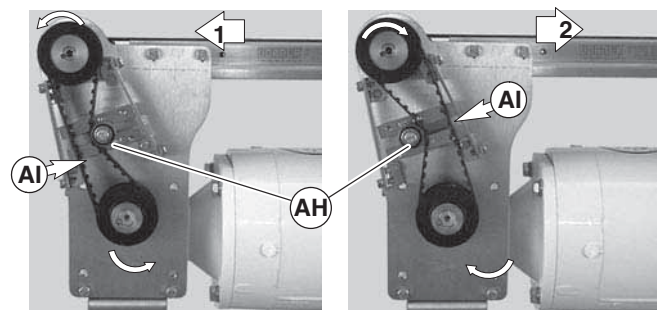


Figure 44

Preventive Maintenance & Adjustment

11. Attach cover (Figure 45, item N) with screws (AJ). Tighten screws to 35 in-lb (4 Nm).

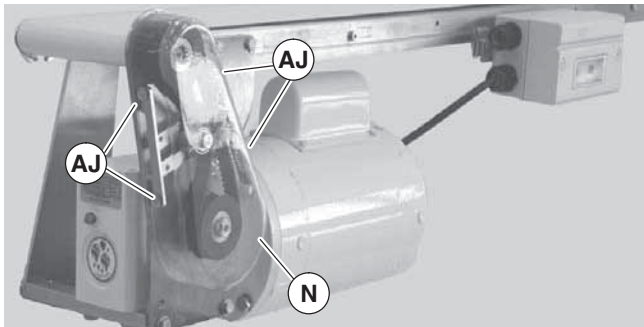


Figure 45

Motor Replacement

⚠ WARNING



Exposed moving parts can cause severe injury.
LOCK OUT POWER before removing guards or performing maintenance.

⚠ DANGER



Hazardous voltage will cause severe injury or death.
LOCK OUT POWER BEFORE WIRING.

1. Loosen terminal box screws (Figure 46, item AU) and remove cover (AV).

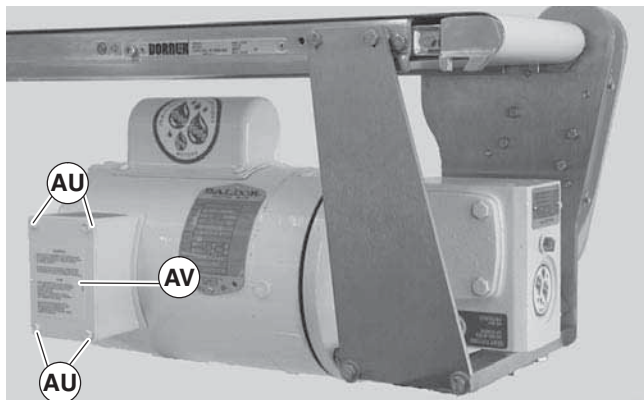


Figure 46

2. Record incoming wire colors. Loosen wire nuts and remove wires.
3. Loosen cord grip and remove cord.
4. Remove screws and lock washers (Figure 47, item P). Remove motor (R) from gear reducer (S). Retain motor output shaft key (O).

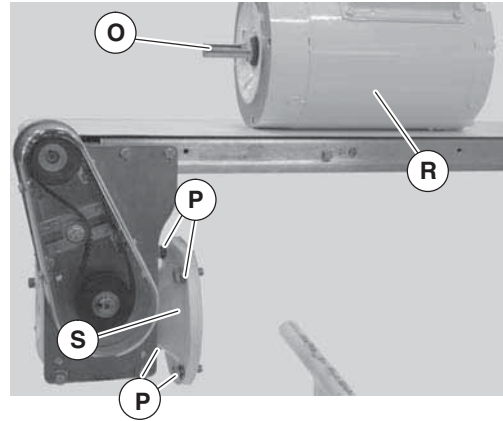


Figure 47

IMPORTANT

Be extremely careful when coupling motor to gear reducer. Avoid misalignment and forcing the connection causing possible permanent gear reducer seal damage.

5. With key (Figure 48, item O) in keyway, slide new gear motor and gear reducer (S) together. Install screws and washers (P) and tighten.

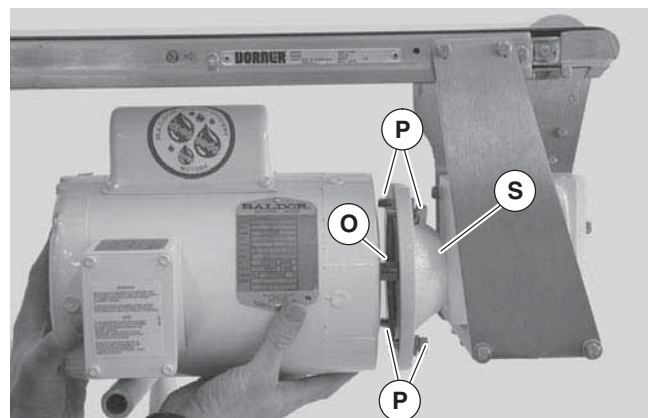



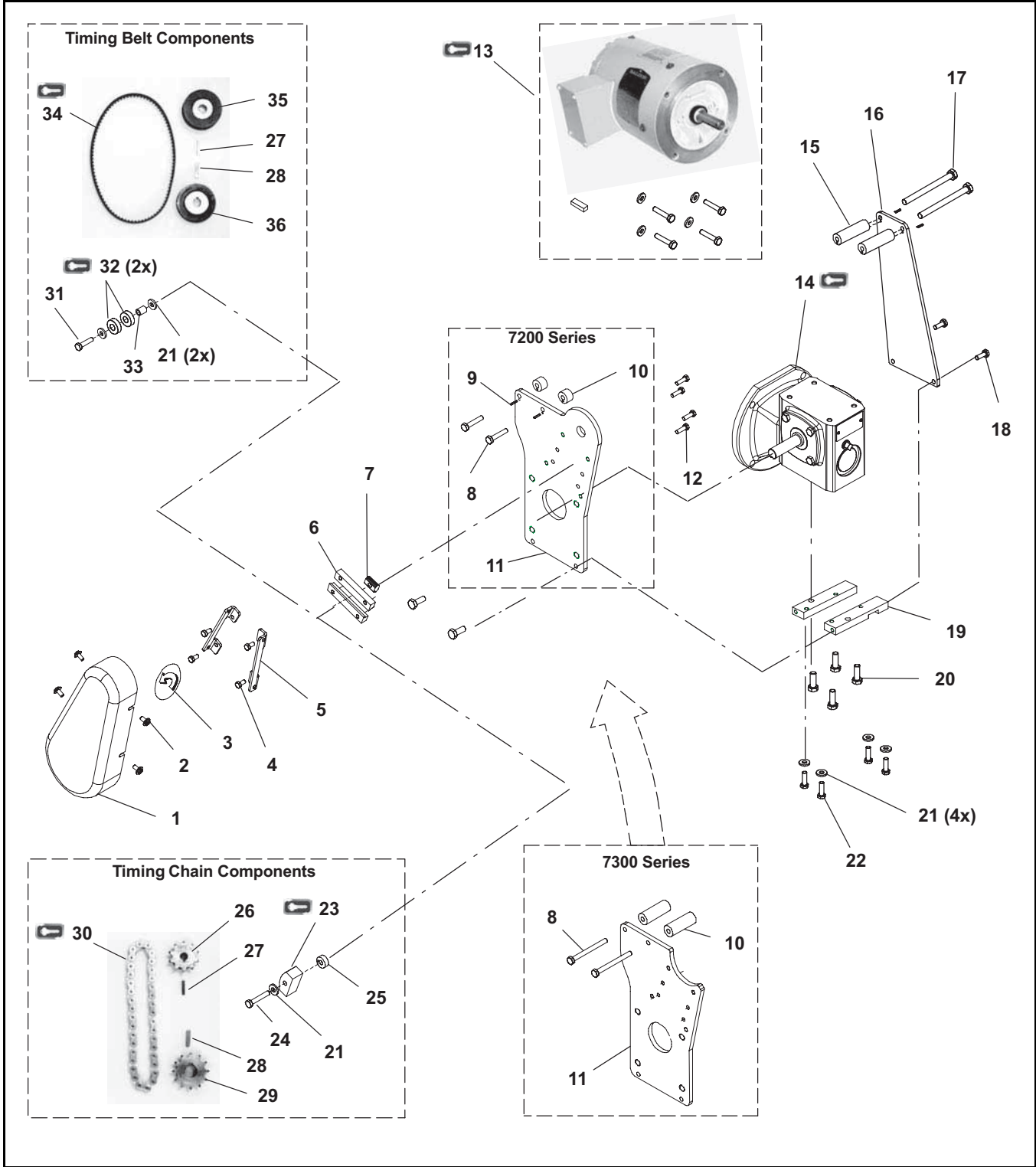
Figure 48

6. To replace wiring, reverse steps 1, 2 and 3 on this page.

NOTE

For replacement parts other than those shown in this section, contact an authorized *Dorner Service Center* or the factory. Key Service Parts and Kits are identified by the Performance Parts Kits logo . Dorner recommends keeping these parts on hand.

7200/7300 Series Drive Mounting Components



Service Parts

Item	Part Number	Description
1	450028P	Cover, Clear
2	807-968	Hex Flange Head Screw M5-.8x10mm
3	450272P	Rotation Label CW
	450273P	Rotation Label CCW
4	960510MSS	Hex Head Cap Screw M5-.8x10mm
5	450181MSS	Cover Mounting Bracket SS
6	450178MSS	Slide Bar, Tensioner
7	639971MSS	Drop-In T-Bar
8	960630MSS	Hex Head Cap Screw M6-1.0x30mm (7200 Series)
	960665MSS	Hex Head Cap Screw M6-1.0x65mm (7300 Series)
9	807-998	Grooved Pin SS (4x) (7200 Series)
	807-998	Grooved Pin SS (2x) (7300 Series)
10	456029	Spacer SS, 0.44" (11.2 mm) long (7200 Series)
	457850	Spacer SS, 1.76" (44.9 mm) long (7300 Series)
11	450179MSS	Drive Mounting Plate (7200 Series)
	701472	Drive Mounting Plate (7300 Series)
12	960516MSS	Hex Head Cap Screw M5-.8x16mm (4x)
13	62MZ411	Motor, 0.5 hp (0.37 kw), 115/208-230 Volts, 60 Hz, 1725 RPM (Includes mounting hardware and key)
	62MZ423	Motor, 0.5 hp (0.37 kw), 230/460 Volts, VFD, 10-60 Hz, Three-Phase, 1725 RPM (Includes mounting hardware and key)
	62MZD9DEN	Motor, 0.33 hp (0.25 kw), 90 Volts DC, 1750 RPM (Includes mounting hardware and key)
	62MZS423	Motor, 0.5 hp (0.37 kw), 230/460 Volts, 60 Hz, Three-Phase 1725 RPM SS (Includes mounting hardware and key)
14	62M005LZ	Gear Reducer, 5:1, 56C LH
	62M005RZ	Gear Reducer, 5:1, 56C RH
	62M015LZ	Gear Reducer, 15:1, 56C LH
	62M015RZ	Gear Reducer, 15:1, 56C RH
	62M050LZ	Gear Reducer, 50:1, 56C LH
	62M050RZ	Gear Reducer, 50:1, 56C RH
	62M005LZS	Gear Reducer, 5:1, 56C LH SS
	62M005RZS	Gear Reducer, 5:1, 56C RH SS
	62M015LZS	Gear Reducer, 15:1, 56C LH SS
	62M015RZS	Gear Reducer, 15:1, 56C RH SS
	62M050LZS	Gear Reducer, 50:1, 56C LH SS
	62M050RZS	Gear Reducer, 50:1, 56C RH SS
15	450184SS	Spacer SS, 2" (51 mm) long - 2" (51 mm) Wide Conveyor
	450183SS	Spacer SS, 3" (76 mm) long - 3" (76 mm) Wide Conveyor
	450182SS	Spacer SS, 0.25" (6.4 mm) long - 4" (102 mm) through 18" (457 mm) Wide Conveyor
16	450180SS	Drive Support Plate

Item	Part Number	Description
17	960670MSS	Hex Head Cap Screw M6-1.0x70mm - 2" (51 mm) Wide Conveyor
	960645MSS	Hex Head Cap Screw M6-1.0x45mm - 3" (76 mm) Wide Conveyor
	960630MSS	Hex Head Cap Screw M6-1.0x30mm - 4" (102 mm) through 18" (457 mm) Wide Conveyor
18	960616MSS	Hex Head Cap Screw M6x16mm SS
19	See Support Bar Table	Gearhead Support Bar
20	906-124	Hex Head Cap Screw, 5/16-18x0.88"
21	911-201	Washer, SS 1/4"
22	960620MSS	Hex Head Cap Screw M6-1.0x20mm
23	456048	Chain Tensioner
24	960635MSS	Hex Head Cap Screw M6-1.0x35mm
25	450182SS	Drive Spacer SS
26	811-296	Driven Sprocket, 10 Tooth, 12mm Bore
27	980422MSS	Square Key, 4x22mm
28	912-084SS	Square Key, 3/16x1.5"
29	811-297	Drive Sprocket, 12 Tooth, 5/8" Bore
	811-300	Drive Sprocket, 18 Tooth, 5/8" Bore
	811-301	Drive Sprocket, 20 Tooth, 5/8" Bore
30	See Timing Chain Table	Timing Chain, #40 x 35 Pitch Length
31	960625MSS	Hex Head Cap Screw M6-1.0x25mm
32	802-123	Bearing (2x)
33	801-116	Nylon Bearing
34	See Timing Belt Table	Timing Belt, 15mm
35	450102	Driven Pulley, 22 Tooth, 12mm Bore
	450103	Driven Pulley, 28 Tooth, 12mm Bore
	450104	Driven Pulley, 32 Tooth, 12mm Bore
36	450397	Drive Pulley, 19 Tooth, 5/8" Bore
	450399	Drive Pulley, 28 Tooth, 5/8" Bore
	450430	Drive Pulley, 44 Tooth, 5/8" Bore
	450431	Drive Pulley, 48 Tooth, 5/8" Bore

Service Parts

Item 19: Support Bar		
Conveyor Width	Part Number 7200	Part Number 7300
2" (51 mm)	456502MSS	457702MSS
3" (76 mm)	RH - 456501MSS	RH - 457701MSS
	LH - 456503MSS	LH - 457703MSS
4" (102 mm)	456502MSS	457702MSS
5" (127 mm)	456505MSS	457705MSS
6" (152 mm)	456506MSS	457706MSS
8" (203 mm)	456508MSS	457708MSS
10" (254 mm)	456510MSS	457710MSS
12" (305 mm)	456512MSS	457712MSS
18" (457 mm)	456518MSS	457718MSS

Item 34: Standard Timing Belts			
Pulley Teeth		Belt Length	Part Number
Drive Pulley	Driven Pulley		
19	32	450 mm	814-104
28	32	475 mm	814-065
44	22	500 mm	814-101
44	28	500 mm	814-101
44	32	520 mm	814-108
48	22	500 mm	814-101

Item 30: Standard Timing Chains			
Sprocket Teeth		Pitch Length	Part Number
Drive Sprocket	Driven Sprocket		
22	10	35	456050
18	10	39	456053
20	10	39	456053

Return Policy

Returns must have prior written factory authorization or they will not be accepted. Items that are returned to Dorner without authorization will not be credited nor returned to the original sender. When calling for authorization, please have the following information ready for the Dorner factory representative or your local distributor:

1. Name and address of customer.
2. Dorner part number(s) of item(s) being returned.
3. Reason for return.
4. Customer's original order number used when ordering the item(s).
5. Dorner or distributor invoice number.

A representative will discuss action to be taken on the returned items and provide a Returned Goods Authorization number for reference.

There will be a return charge on all new undamaged items returned for credit where Dorner was not at fault. Dorner is not responsible for return freight on such items.

Conveyors and conveyor accessories	
Standard catalog conveyors	30%
MPB Series, cleated and specialty belt conveyors	50%
7400 & 7600 Series conveyors	non-returnable items
Engineered special products	case by case
Drives and accessories	30%
Sanitary stand supports	non-returnable items

Parts	
Standard stock parts	30%
MPB, cleated and specialty belts	non-returnable items

Returns will not be accepted after 60 days from original invoice date.

The return charge covers inspection, cleaning, disassembly, disposal and reissuing of components to inventory.

If a replacement is needed prior to evaluation of returned item, a purchase order must be issued. Credit (if any) is issued only after return and evaluation is complete.

Dorner has representatives throughout the world. Contact Dorner for the name of your local representative. Our Technical Sales, Catalog Sales and Service Teams will gladly help with your questions on Dorner products.

For a copy of Dorner's Warranty, contact factory, distributor, service center or visit our website at www.dorner.com.

For replacement parts, contact an authorized Dorner Service Center or the factory.



Dorner Mfg. Corp. reserves the right to change or discontinue products without notice. All products and services are covered in accordance with our standard warranty. All rights reserved. © Dorner Mfg. Corp. 2006

DORNER MFG. CORP.

975 Cottonwood Ave., PO Box 20
Hartland, WI 53029-0020 USA
USA
TEL 1-800-397-8664 (USA)
FAX 1-800-369-2440 (USA)
Internet: www.dorner.com

Outside the USA:
TEL 1-262-367-7600
FAX 1-262-367-5827