



# 7400 Series Curved Nose Bar Conveyors

Installation, Maintenance and Parts Manual



DORNER MFG. CORP.  
P.O. Box 20 • 975 Cottonwood Ave.  
Hartland, WI 53029-0020 USA

INSIDE THE USA  
TEL: 1-800-397-8664  
FAX: 1-800-369-2440

OUTSIDE THE USA  
TEL: 262-367-7600  
FAX: 262-367-5827

For other service manuals visit our website at:  
[www.dorner.com/service\\_manuals.asp](http://www.dorner.com/service_manuals.asp)

# Table of Contents

Introduction .....	2	Specialty Intralox 2400 Series Belts .....	19
Warnings – General Safety .....	3	Replacing a Section of Belt .....	19
Product Description .....	4	Replacing the Entire Belt .....	19
Specifications .....	4	Conveyor Belt Tensioning .....	20
Specifications .....	4	Sprocket and Puck Removal .....	20
Conveyor Supports .....	5	A - Drive Sprocket Removal .....	20
7400 Series Frame Section Numbers .....	5	B - Idler Puck Removal .....	22
Straight Infeed / Idler Module .....	5	C - Nose Bar Puck Removal .....	22
Straight Intermediate Module .....	5	Reassembling Tail Assemblies .....	23
Curve Module .....	5	Nose Bar Idler .....	23
Straight Exit / Drive Module .....	5	Idler Tail .....	24
Installation .....	6	Drive Tail Assembly .....	24
Required Tools .....	6	Bearing Replacement .....	25
Recommended Installation Sequence .....	6	Service Parts .....	26
Conveyor Installation .....	6	Nose Bar Drive End Components .....	26
Frame Section Connection .....	6	Tension End Components .....	28
Stand Installation .....	7	Nose Bar Tension End .....	29
Tail Assembly Installation .....	8	Curve Conveyor Frame and Wear Strips .....	30
Lifter Installation .....	11	Straight Conveyor Frame and Wear Strips .....	32
Wear Strip Installation .....	11	Conveyor Frame Connection .....	33
Straight Frame Sections .....	11	Lifters .....	34
Curved Frame Sections .....	12	Mounting Block .....	34
Belt Return Installation – Curved Frame Sections .....	13	3" (76 mm) High Sides .....	35
Belt Installation .....	13	Adjustable Guiding .....	36
Belt Return Installation – Straight Frame Sections .....	15	Tool-Less Adjustable Guiding .....	37
Mounting Block Installation .....	15	Hinged Guides .....	38
Preventive Maintenance and Adjustment .....	16	Adjustable Hinged Guides .....	39
Required Tools .....	16	Tool-Less Adjustable Hinged Guides .....	40
Checklist .....	16	Straight Belt Return .....	41
Cleaning .....	16	Curve Belt Return .....	41
Routine Cleaning .....	16	Opposed (Thru Beam) Photo Eye Mount .....	42
Standard Conveyors .....	16	Reflective Photo Eye Mount .....	42
Periodic Cleaning .....	17	Reflective Photo Eye Kit .....	43
Lubrication .....	17	Curve Belt Chain Kit .....	44
Conveyor Bearings .....	17	Belt Removal Tool .....	44
Wear Strips and Belt Returns .....	17	Ordering a Replacement Chain .....	44
Maintaining the Conveyor Belt .....	17	Configuring a Conveyor Part Number .....	45
Troubleshooting .....	17	Curve Conveyor .....	45
Conveyor Belt Replacement .....	17	Straight Infeed / Idler Module .....	45
Conveyors with Guides .....	18	Straight Intermediate Module .....	45
Standard Belts .....	18	Curve Module .....	45
Replacing a Section of Belt .....	18	Straight Exit / Drive Module .....	45
Replacing the Entire Belt .....	19	Return Policy .....	46

## Introduction

**⚠ CAUTION**

**Some illustrations may show guards removed. DO NOT operate equipment without guards.**


Upon receipt of shipment:

- Compare shipment with packing slip. Contact factory regarding discrepancies.
- Inspect packages for shipping damage. Contact carrier regarding damage. Accessories may be shipped loose.
- See accessory instructions for installation.

The Dorner Limited Warranty applies.

Dorner 7400 series conveyors are covered by Patent Numbers 7,246,697, 7,207,435, 7,549,531 B2, 7,681,719 B2, 7,383,944, 8,042,682 B2 and corresponding patents and patent applications in other countries.

Dorner reserves the right to make changes at any time without notice or obligation.

Dorner has convenient, pre-configured kits of Key Service Parts for all conveyor products. These time saving kits are easy to order, designed for fast installation, and guarantee you will have what you need when you need it. Key Parts and Kits are marked in the Service Parts section of this manual with the Performance Parts Kits logo .

Intralox is a registered trademark of Laitram L.L.C. in the United States and / or other countries.

# Warnings – General Safety


**⚠ DANGER**



**SEVERE HAZARD!**

**KEEP OFF CONVEYORS.** Climbing, sitting, walking or riding on conveyor will result in death or serious injury.


**⚠ DANGER**



**EXPLOSION HAZARD!**

- **DO NOT OPERATE CONVEYORS IN AN EXPLOSIVE ENVIRONMENT.** The electric garmotor generates heat and could ignite combustible vapors.
- Failure to comply will result in death or serious injury.

**⚠ WARNING**



**CRUSH HAZARD!**

- **DO NOT** place hands or fingers inside the conveyor while it is running.
- **DO NOT** wear loose garments while operating the conveyor. Loose garments can become caught up in the conveyor.
- Failure to comply could result in serious injury.

**⚠ WARNING**



**CRUSH HAZARD!**

- **SUPPORT CONVEYOR SECTIONS PRIOR TO LOOSENING STAND HEIGHT OR ANGLE ADJUSTMENT SCREWS.**
- Loosening stand height or angle adjustment screws may cause conveyor sections to drop down, causing serious injury.

**⚠ WARNING**



**SEVERE HAZARD!**

**LOCK OUT POWER** before removing guards or performing maintenance. Exposed moving parts can cause serious injury.

**⚠ WARNING**



**BURN HAZARD!**

**DO NOT TOUCH** the motor while operating, or shortly after being turned off. Motors may be **HOT** and can cause serious burn injuries.


**⚠ WARNING**



**PUNCTURE HAZARD!**

Handle drive shaft keyway with care. It may be sharp and could puncture the skin, causing serious injury.

**⚠ WARNING**



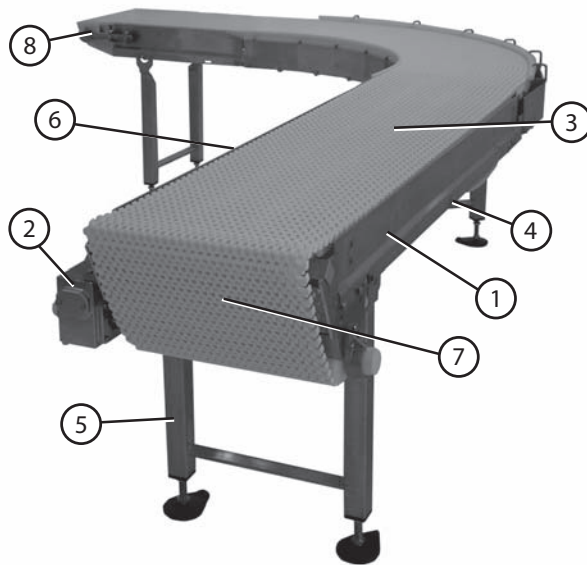
**SEVERE HAZARD!**

- Dorner cannot control the physical installation and application of conveyors. Taking protective measures is the responsibility of the user.
- When conveyors are used in conjunction with other equipment or as part of a multiple conveyor system, **CHECK FOR POTENTIAL PINCH POINTS** and other mechanical hazards before system start-up.
- Failure to comply could result in serious injury.

# Product Description

Refer to **(Figure 1)** for typical conveyor components.

Typical Components	
1	Conveyor
2	Gearmotor
3	Belt
4	Return
5	Support Stands
6	Motor Controller
7	Drive End
8	Tension End



**Figure 1**

# Specifications

## Specifications

<b>Conveyor Width Reference (WW)</b>	08 – 36 in 02 increments
<b>Maximum Conveyor Load</b>	20 lb / ft <sup>2</sup> (97 kg / m <sup>2</sup> ) with a maximum of 1000 lb / ft <sup>2</sup> (4882 kg / m <sup>2</sup> )
<b>Belt Travel</b>	12" (305 mm) per revolution of pulley
<b>Belt Take-up</b>	2" (51 mm)
<b>Conveyor Length Reference (LLL)</b>	020 – 999 in 001 increments
<b>Conveyor Length</b>	20" (508 mm) – 999" (25.4 m) in 1" (25 mm) increments

### IMPORTANT

*Maximum conveyor loads are based on:*

- *Non-accumulating product*
- *Product moving toward gearmotor*
- *Conveyor being mounted horizontally*
- *Conveyor being located in a dry environment*
- *Conveyor equipped with standard belt only*

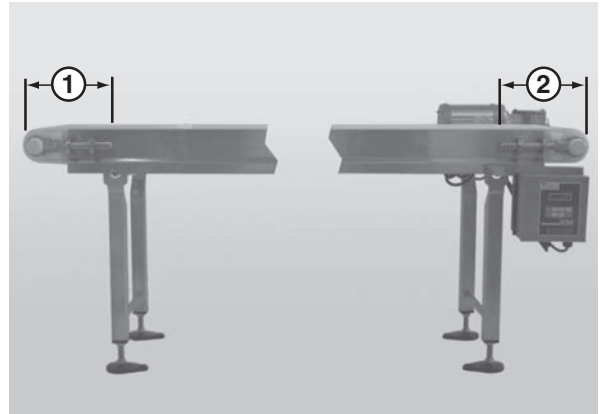
## Conveyor Supports

**Maximum Distances:**

**1 (Infeed) = 3 ft (914 mm)**

**2 (Outfeed) = 3 ft (914 mm)**

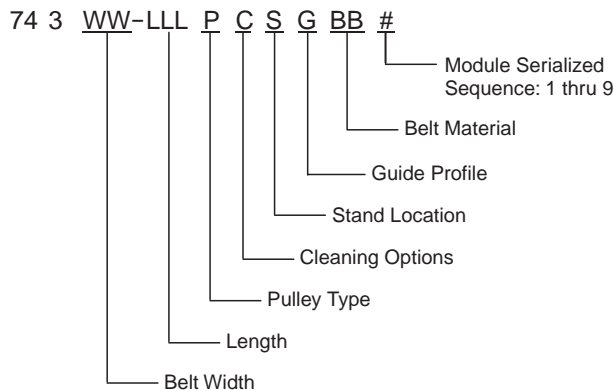
**\*\* Stand positions will be determined by the factory.**



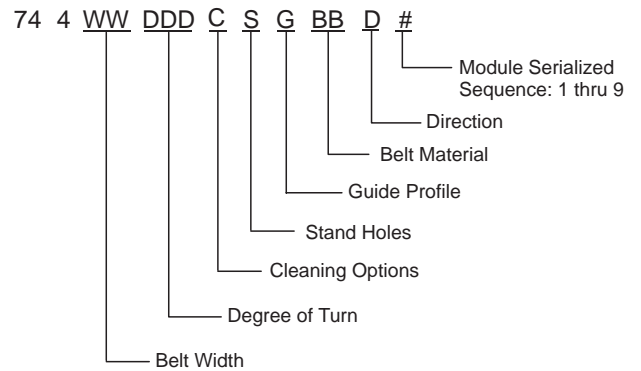
**Figure 2**

## 7400 Series Frame Section Numbers

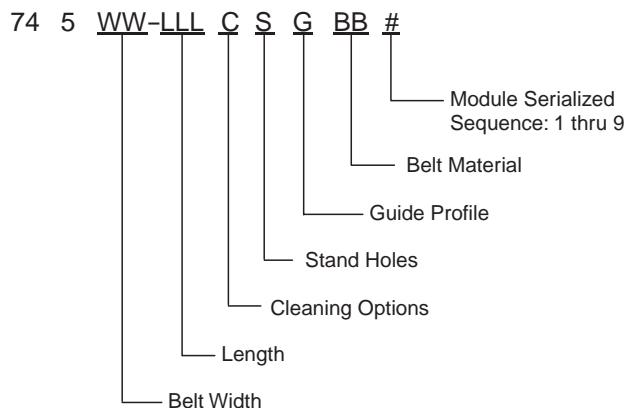
### Straight Infeed / Idler Module



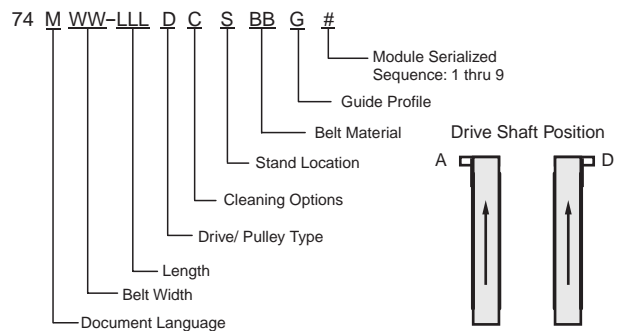
### Curve Module



### Straight Intermediate Module



### Straight Exit / Drive Module



# Installation

## ⚠ CAUTION

Donner recommends cleaning all the “food zones” prior to placing conveyor into service. Ensure adequate access is provided for cleaning and servicing equipment so that the required level of hygiene can be maintained.

## ⚠ CAUTION

Conveyor **MUST** be mounted straight, flat, and level within confines of conveyor. Use a level (Figure 3, item 1), during setup.

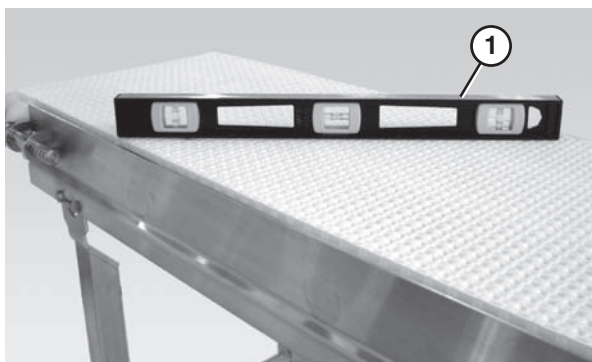


Figure 3

## Required Tools

- 17 mm wrench (for hexagonal head fasteners)
- 4 mm hex wrench (for bearing shaft assembly fasteners)
- Level
- Torque wrench

## Recommended Installation Sequence

1. Connect the frame sections together. “Frame Section Connection” on page 6.
2. Attach the stands to the conveyor. Refer to “Stand Installation” on page 7.
3. Attach the tail assemblies to the frame. Refer to “Tail Assembly Installation” on page 8.
4. Attach the lifters, if applicable. Refer to “Lifter Installation” on page 11.
5. Install the gearmotor, if applicable. Refer to the “7400 Series Drive Package Installation, Maintenance and Parts Manual.”
6. Attach the wear strips. Refer to “Wear Strip Installation” on page 11.
7. Attach the belt returns. Refer to “Belt Return Installation – Straight Frame Sections” on page 15.
8. Install the belt. Refer to “Belt Installation” on page 13.

9. Attach any guides / accessories. Refer to the “Service Parts” section starting on page 26.

## Conveyor Installation

### Frame Section Connection

Typical Connection Components (Figure 4)

- |   |  |
|---|--|
| 1 | Conveyor frame section                     |
| 2 | Curved conveyor frame section              |
| 3 | Hex post connector (x2)                    |
| 4 | Flat connector (x2)*                       |
| 5 | M10 - 1.5 x 12 mm hex head cap screw (x4)* |
| 6 | M10 - 1.5 x 16 mm hex head cap screw (x4)  |

\* For connections not supported by stands.

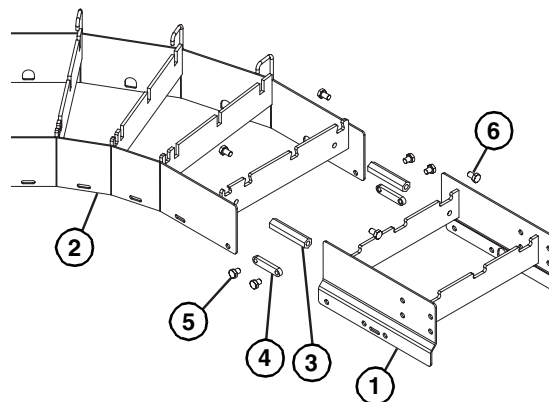


Figure 4

1. Locate and arrange conveyor sections by section labels (Figure 5, item 1).

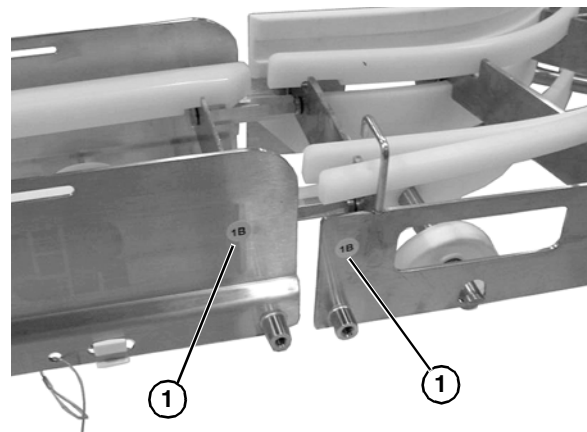
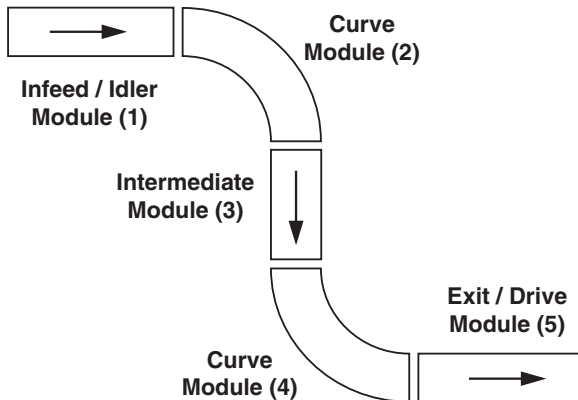


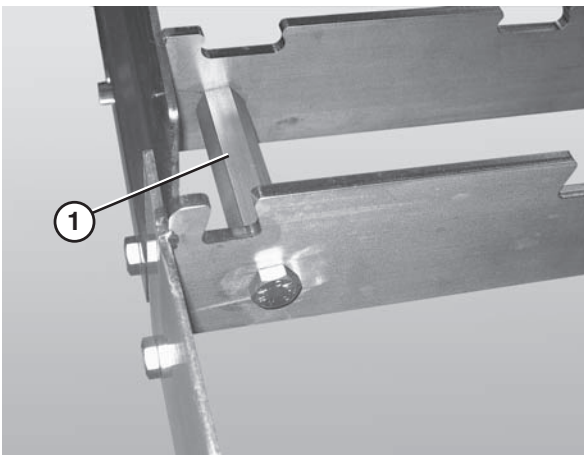
Figure 5

- Position the frame sections in the correct order (**Figure 6**).



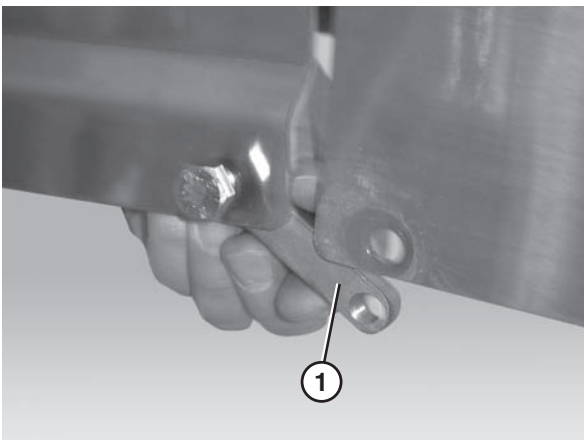
**Figure 6**

- Connect the frame sections by bolting the hex post connectors (**Figure 7, item 1**) to the cross member supports of each frame section.



**Figure 7**

- Attach the flat connectors (**Figure 8, item 1**), if applicable, to the inside of the frame sections.

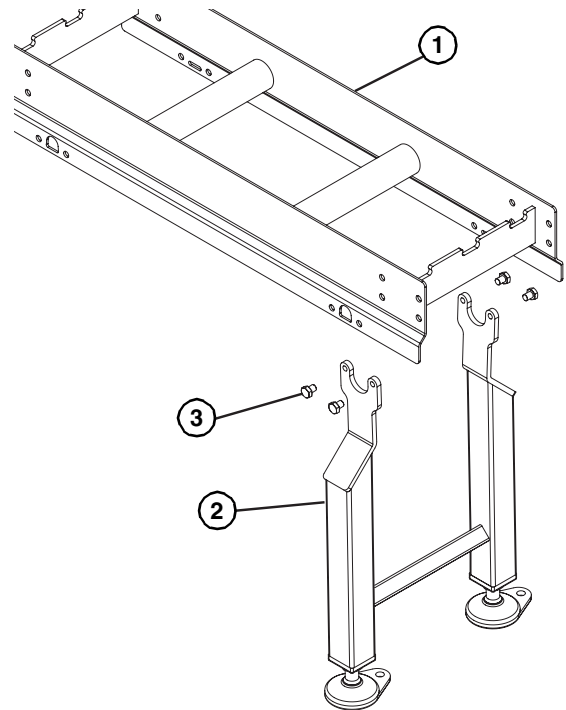


**Figure 8**

## Stand Installation

Typical Stand Components (**Figure 9**)

1	Conveyor frame
2	Stand
3	M10 - 1.5 x 12 mm hex head cap screws (x4)



**Figure 9**

- Position the stands on a flat, level surface.
- Attach the stands to the frame (**Figure 10**).



**Figure 10**



# Installation

## Tail Assembly Installation

### Nose Bar Drive Tail

Typical Nose Bar Drive Tail Components (Figure 11)

1	Nose bar drive tail assembly
2	M10 x 1.5 x 12mm hex head cap screws (x4)
3	Conveyor frame

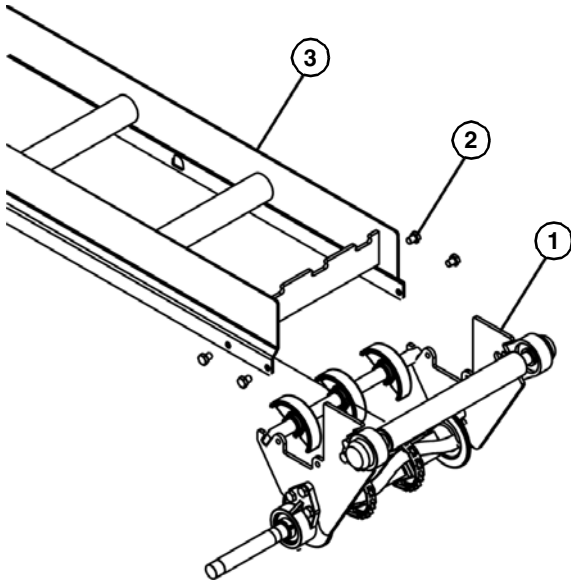


Figure 11

1. Bolt the nose bar drive tail assembly to the conveyor frame (Figure 12).

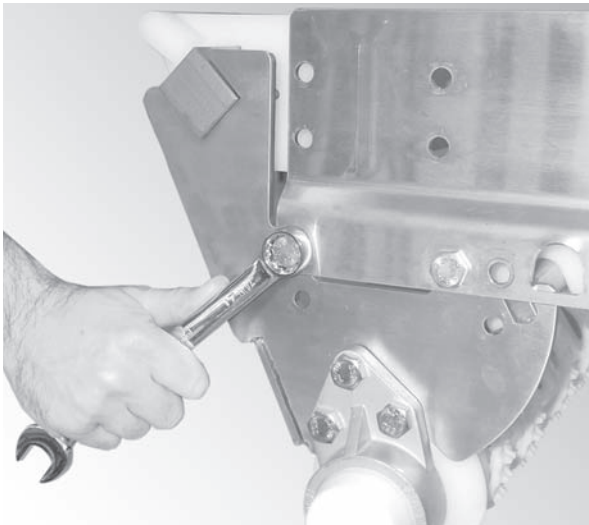


Figure 12

2. Install the drive package, if applicable. Refer to the "7400 Series Drive Package Installation, Maintenance and Parts Manual."

## Tip Up Assembly

Typical Tip Up Assembly Components (Figure 13)

1	Hex Bar
2	Stop Key (x2)
3	Tip Up Sleeve (x2)

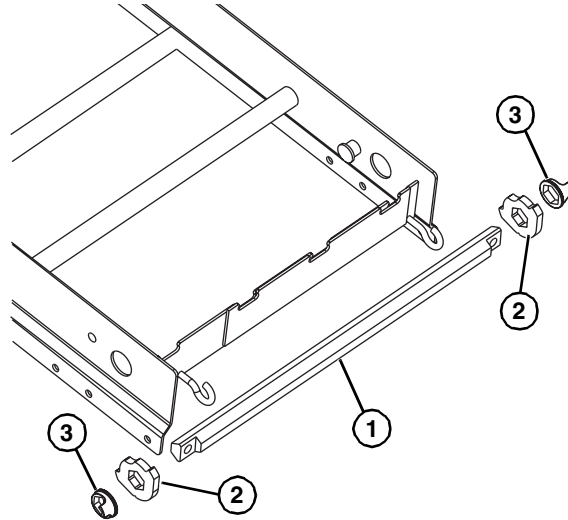


Figure 13

1. Slide stop keys (Figure 14, item 1) and tip up sleeves (Figure 14, item 2) onto hex shaft (Figure 14, item 3). The tabs on the tip up sleeves face outward and align with the slotted ends of the hex shaft as shown.

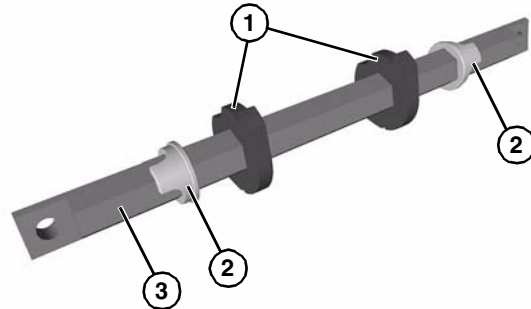
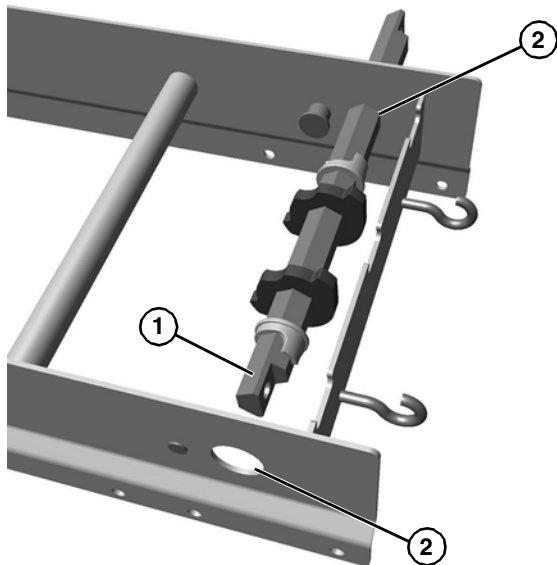


Figure 14

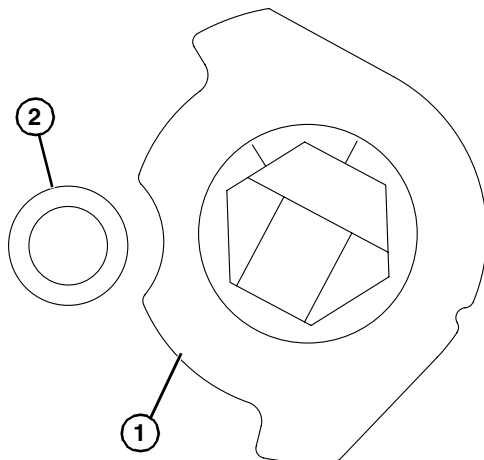


- Place hex shaft assembly (**Figure 15, item 1**) through the conveyor frame tip up holes (**Figure 15, item 2**) and center with conveyor.



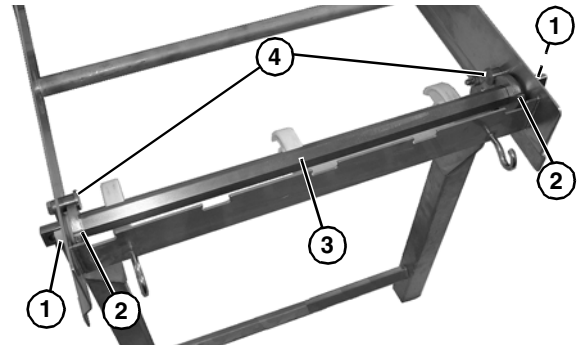
**Figure 15**

- Hex shaft assembly will need to be rotated (**Figure 16**) for stop keys (**Figure 16, item 1**) to pass by the frame stops (**Figure 16, item 2**).



**Figure 16**

- Slide the tip up sleeves (**Figure 17, item 1**) and stop keys (**Figure 17, item 2**) outward on hex shaft assembly (**Figure 17, item 3**) until the sleeves seat in the holes of the frame and stop keys are seated against frame stops (**Figure 17, item 4**).

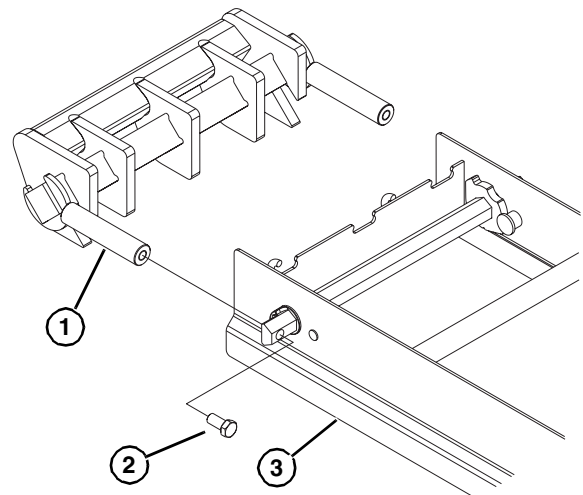


**Figure 17**

## Nose Bar Idler Tail

Typical Nose Bar Idler Tail Components (**Figure 18**)

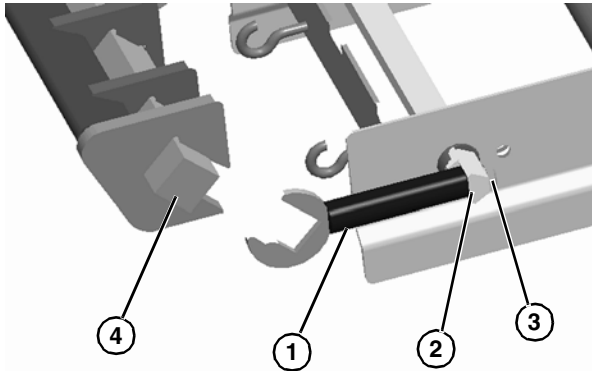
1	Nose bar idler tail assembly
2	Bolt (x2)
3	Conveyor frame



**Figure 18**

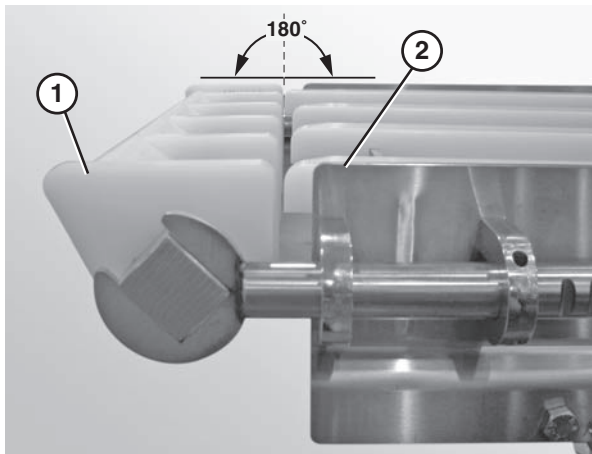
# Installation

1. Place the nose bar idler shafts (**Figure 19, item 1**) against the holes in the hex shaft assembly (**Figure 19, item 2**) and secure each with a bolt (**Figure 19, item 3**).



**Figure 19**

2. Attach the nose bar transfer post (**Figure 19, item 4**) to the nose bar idler shafts.
3. Ensure that the nose bar pucks (**Figure 20, item 1**) are in line with the conveyor frame (**Figure 20, item 2**).

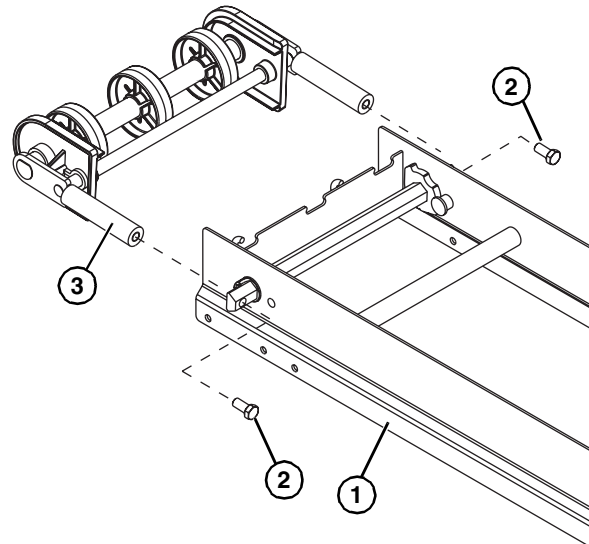


**Figure 20**

## Idler Tail

Typical Idler Tail Components (**Figure 21**)

1	Conveyor Frame
2	Bolt (x2)
3	Idler tail assembly

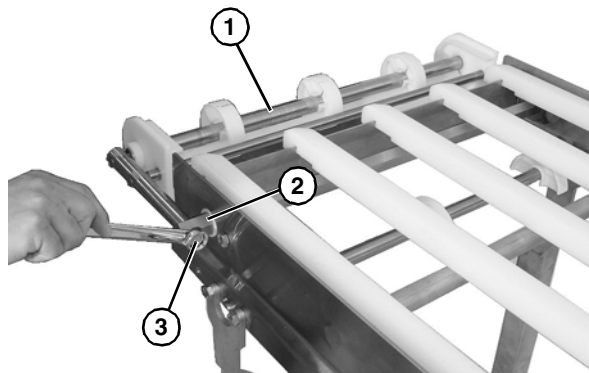


**Figure 21**

## **CAUTION**

To avoid injury and damage to parts, have an assistant hold opposite end of idler tail when removing or installing it.

1. Place the idler tail assembly (**Figure 22, item 1**) against the holes in the tip up hex shaft assembly (**Figure 22, item 2**) and secure with a bolt (**Figure 22, item 3**) on each side.



**Figure 22**

## Lifter Installation

Typical Lifter Components (Figure 23)

1	Belt lift pivot bar
2	Lifter bars
3	Belt lift handle
4	M8 - 1.25 x 16 mm hex head cap screw

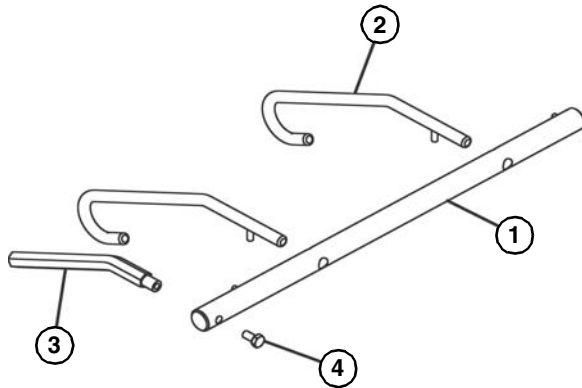


Figure 23

1. Slide the belt lift pivot bar (Figure 24, item 1) through the designated holes in the frame.

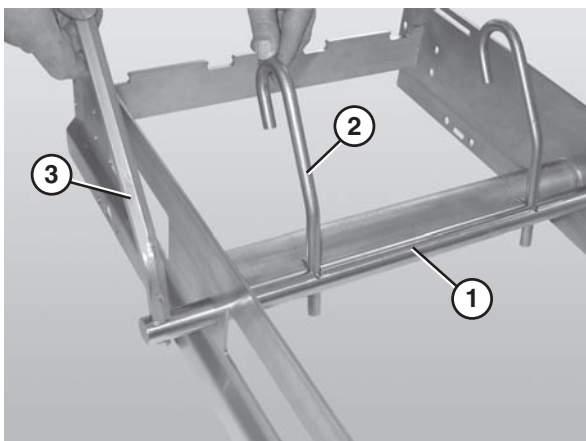


Figure 24

2. Attach the lifter bars (Figure 24, item 2) to the belt lift pivot bar (Figure 24, item 1). Make sure the hooked ends of the lifter bars are facing down when resting against the frame.
3. Attach the lifter handle (Figure 24, item 3) to the belt lift pivot rod.

## Wear Strip Installation

### Straight Frame Sections

Typical Wear Strip Components (Figure 25)

1	Wear strip
---	------------

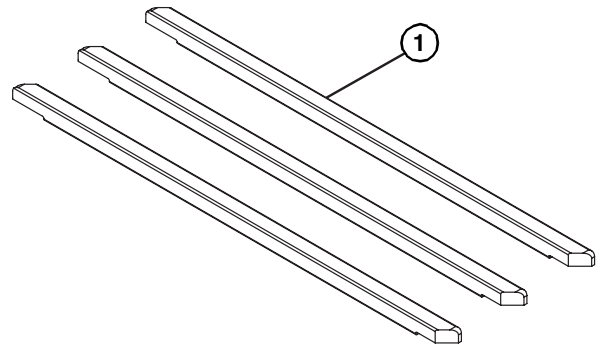


Figure 25

1. Position the wear strips (Figure 26, item 1) on the frame.

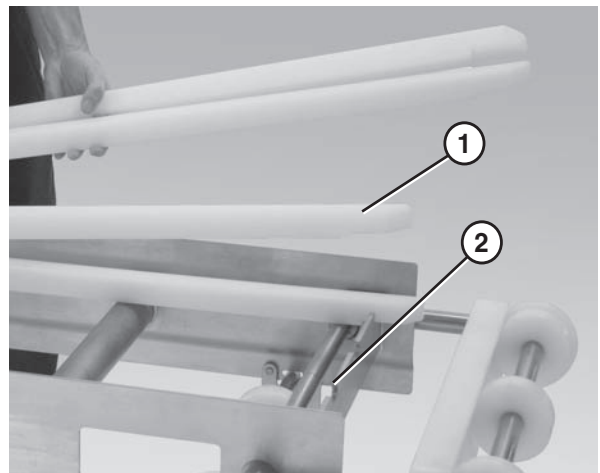


Figure 26

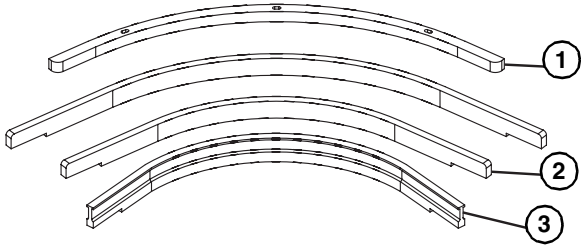
2. Make sure the wear strips are situated securely in the frame slots (Figure 26, item 2).

# Installation

## Curved Frame Sections

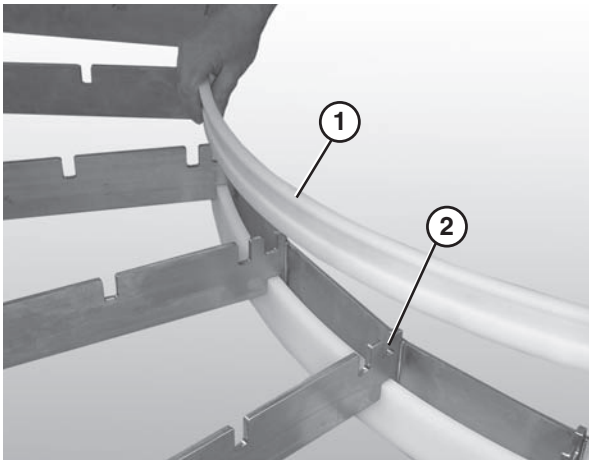
Typical Curved Wear Strip Components (Figure 27)

1	Hold down wear strip
2	Wear strip
3	Inside curve top wear strip



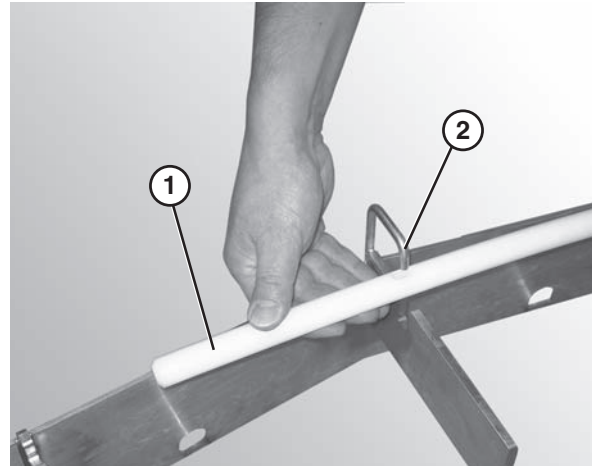
**Figure 27**

1. Insert inside curve top wear strip (Figure 28, item 1) into the innermost slot (Figure 28, item 2) on the inside of the frame.



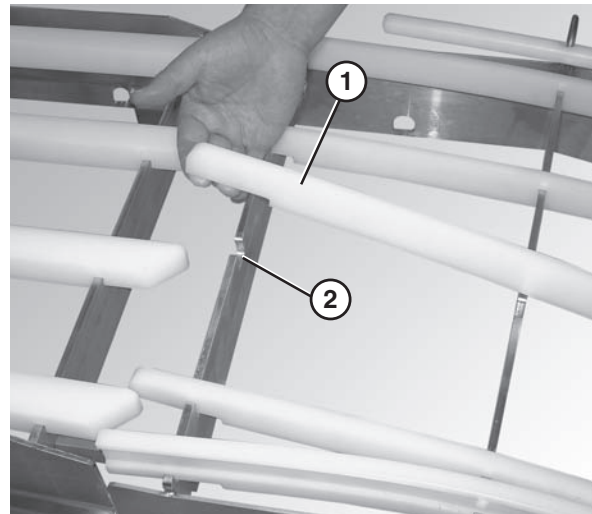
**Figure 28**

2. Attach the hold down wear strip (Figure 29, item 1) to the frame hooks (Figure 29, item 2) on the outside of the frame.



**Figure 29**

3. Insert the wear strips (Figure 30, item 1) into the appropriate slots in the frame (Figure 30, item 2), starting with the shortest wear strip on the inside of the curved section and working outward to the longest.

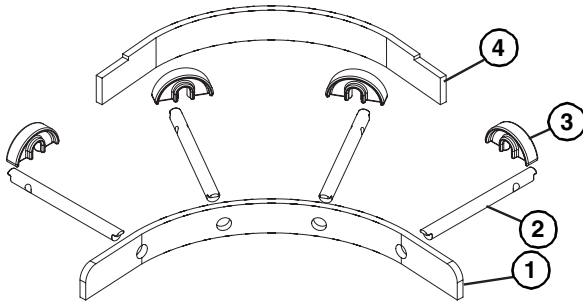


**Figure 30**

## Belt Return Installation – Curved Frame Sections

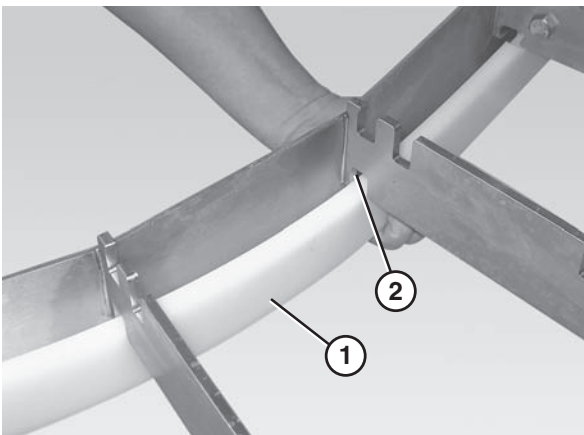
Typical Curved Belt Return Components (Figure 31)

1	Return bottom wear strip
2	Curve return shaft
3	Chain return shoe
4	Inside return bottom wear strip



**Figure 31**

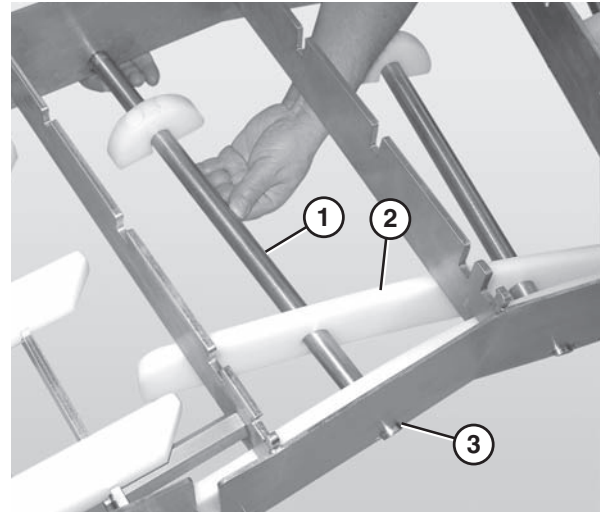
1. Insert the inside return bottom wear strip (Figure 32, item 1) into the slots (Figure 32, item 2) on the lower inside section of the frame (figure shown without the belt or wear strips).



**Figure 32**

2. Attach the chain return shoes (Figure 32, item 1) to the curve return shafts (Figure 32, item 2).

3. Slide the long end of the curve return shaft (Figure 33, item 1) through the center hole in the return bottom wear strip (Figure 33, item 2).



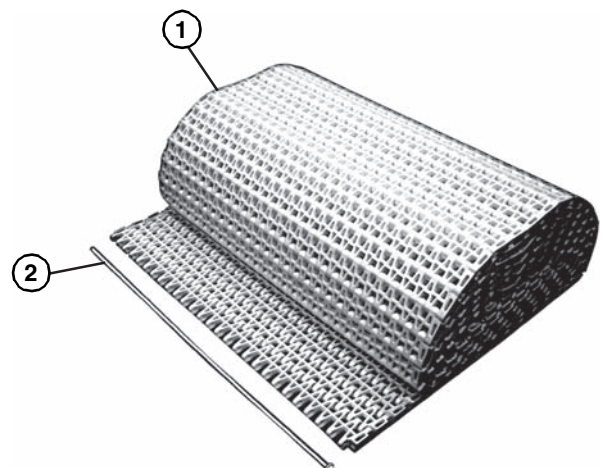
**Figure 33**

4. Slide the return shaft up and through the large slot in the frame. Make sure the holes in the return bottom wear strip match up with the holes in the conveyor frame.
5. Push up on the return shaft and slide the notched end of the shaft through the small slot on the opposite side of the frame (Figure 33, item 3).
6. Repeat steps 4 – 5 with the remaining returns.

## Belt Installation

Typical Belt Components (Figure 34)

1	Chain belt
2	Belt rod



**Figure 34**



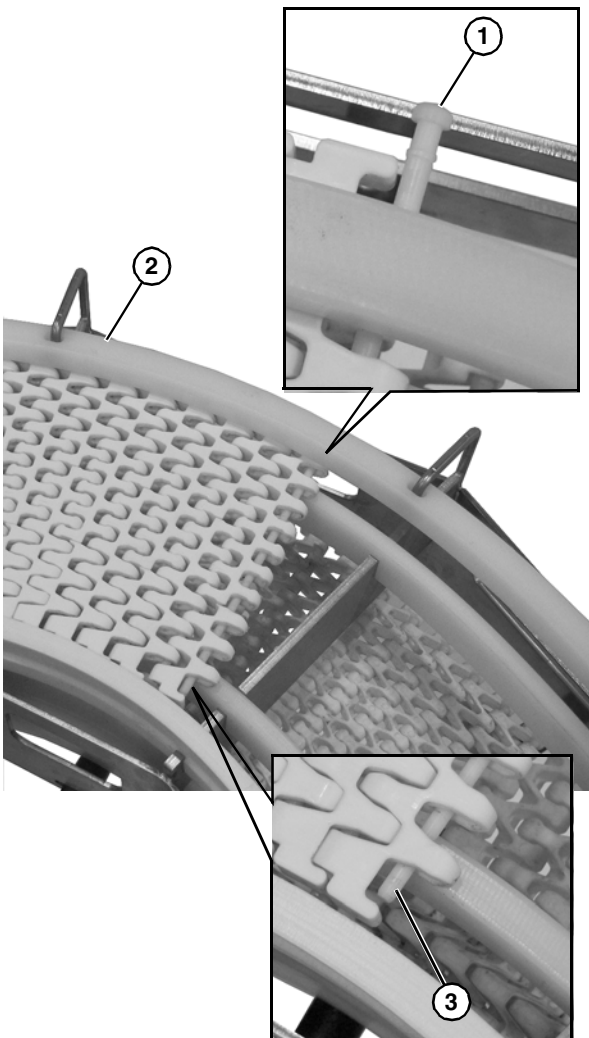
# Installation

1. Position the belt on the conveyor frame (**Figure 36**).



**Figure 35**

2. Orient the belt direction such that the pin heads (**Figure 36, item 1**) are on the outside of the belt radius (**Figure 36, item 2**). The straight portion on the pin (**Figure 36, item 3**) will be on the inside radius.



**Figure 36**

## NOTE

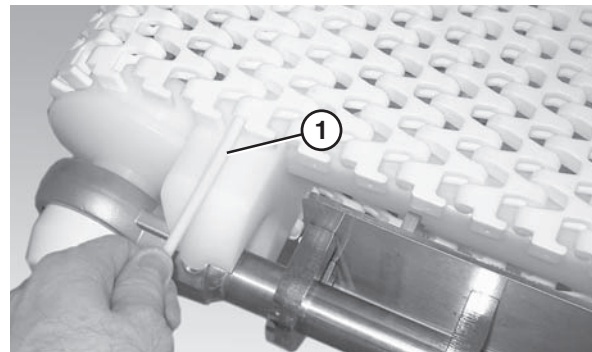
*For "S" shaped conveyors, the pin heads must be oriented on the outside of the belt radius on the exiting or last curve on the conveyor.*

3. Wrap the belt around the conveyor, making sure the sprocket teeth have engaged the belt.
4. Feed the ends of the belt through the top and bottom of the curved frame sections.
5. Bring the ends of the belt together (**Figure 37**).



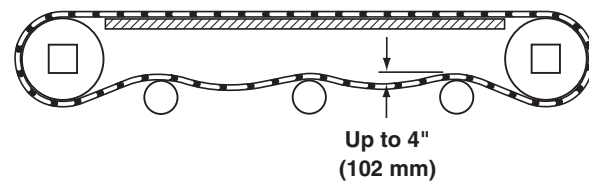
**Figure 37**

6. Insert the belt rod (**Figure 38, item 1**).



**Figure 38**

7. Push the belt rod in as far as possible.
8. Lightly tap the head of the rod with a hammer until it snaps into position.
9. Check belt sag by measuring from the top of the return (**Figure 39**).



**Figure 39**

## CAUTION

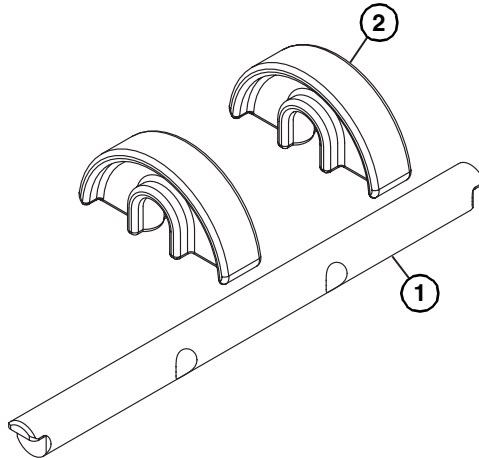
**Belt sag should not exceed 4" (102 mm) from the top of the returns.**



## Belt Return Installation – Straight Frame Sections

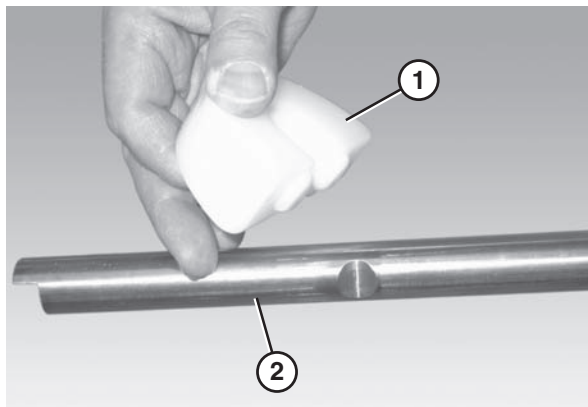
Typical Belt Return Components (Figure 40)

1	Return shaft
2	Chain return shoe



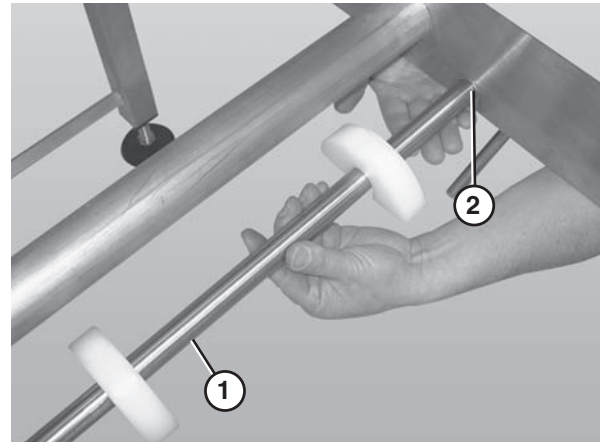
**Figure 40**

1. Attach the chain return shoes (Figure 41, item 1) to the return shaft (Figure 41, item 2).



**Figure 41**

2. Slide the return shaft (Figure 42, item 1) up and through the large slot (Figure 42, item 2) in the frame (picture shown without the belt or wear strips).

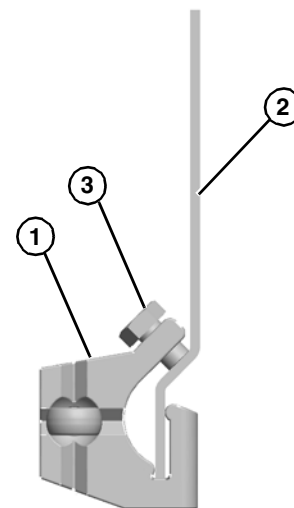


**Figure 42**

3. Push up on the return shaft (Figure 42, item 1) and slide the notched end of the shaft through the small slot on the opposite side of the frame.
4. See Step 8 of Belt Installation to check for proper belt sag.

## Mounting Block Installation

1. Clamp mounting block (Figure 43, item 1) to frame (Figure 43, item 2).
2. Tighten bolt to 20 in-lb (2 Nm) to secure (Figure 43, item 3).



**Figure 43**

### **⚠ CAUTION**

**Do not over tighten bolt. Over tightening may cause the mounting block to deform.**

# Preventive Maintenance and Adjustment

## Required Tools

- 17 mm wrench (or adjustable wrench)
- 1/8" hex wrench (for bearing shaft assembly fasteners)
- 3 mm hex wrench
- Punch and hammer (to remove belt rod)

## Checklist

- Keep service parts on hand. Refer to the "Service Parts" section starting on page 26 for recommendations.
- Replace any worn or damaged parts.

## Cleaning

### NOTE

*Proper conveyor application, cleaning, and sanitation are the responsibility of the end user.*

### ⚠ CAUTION

Dorner recommends cleaning all the "food zones" prior to placing conveyor into service. Ensure adequate access is provided for cleaning and servicing equipment so that the required level of hygiene can be maintained.

## Routine Cleaning

### ⚠ WARNING



### SEVERE HAZARD!

**LOCK OUT POWER** before removing guards or performing maintenance. Exposed moving parts can cause serious injury.

Dorner recommends cleaning the inside and the outside of the conveyor on a daily basis. Refer to the following steps to access the inside of the conveyor.

### Standard Conveyors

1. Remove the guides, if applicable, by removing the pull pins (Figure 44, item 1) that connect the guide (Figure 44, item 2) to the frame.

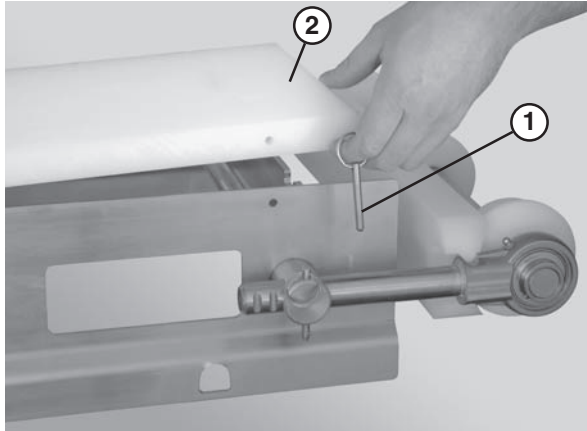


Figure 44

2. Use the lifter handle (Figure 45, item 1) to raise the lifters (Figure 45, item 2) and raise the tip up tail (Figure 45, item 3).

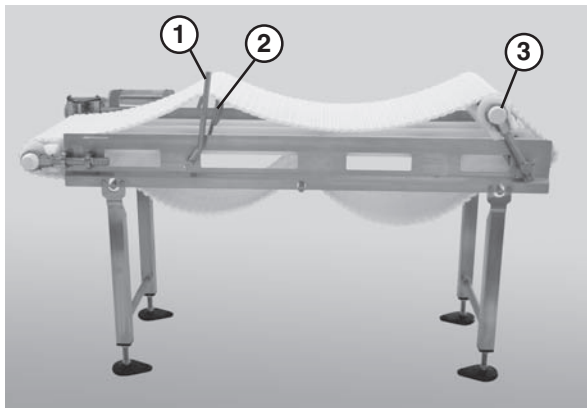


Figure 45

3. Lift up on the belt (Figure 46).

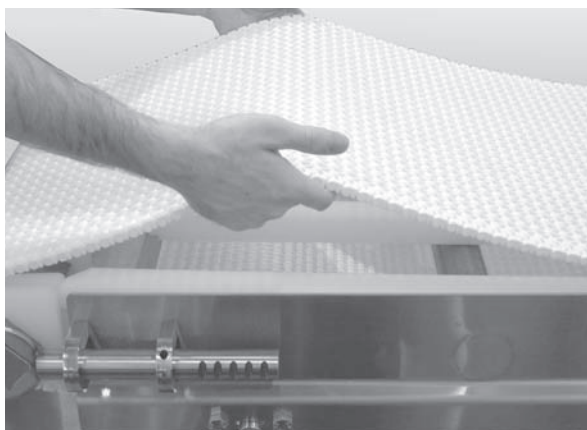


Figure 46

### ⚠ CAUTION

**DO NOT** submerge or soak bearing assemblies. This will reduce the life of the bearing.

# Preventive Maintenance and Adjustment

## Periodic Cleaning

Dorner recommends complete disassembly of the conveyor periodically for thorough cleaning.

For conveyor disassembly and reassembly instructions:

- Refer to “Conveyor Belt Replacement” on page 17.
- Refer to “Sprocket and Puck Removal” on page 20.
- Refer to “Reassembling Tail Assemblies” on page 23.

## Lubrication

### Conveyor Bearings

Conveyor bearing lubrication is required. Dorner recommends using an H-1 food grade grease.

#### NOTE

*Although bearings are sealed, re-greasing is recommended to increase bearing life. An H-1 food grade grease is recommended. The frequency of bearing re-greasing is dependent upon the application in which the conveyor is being used. Frequency of re-greasing will increase with the frequency of conveyor washing.*

1. Add grease to the bearing using the zerk fitting (Figure 47, item 1) on the exterior of the bearing shaft assembly.

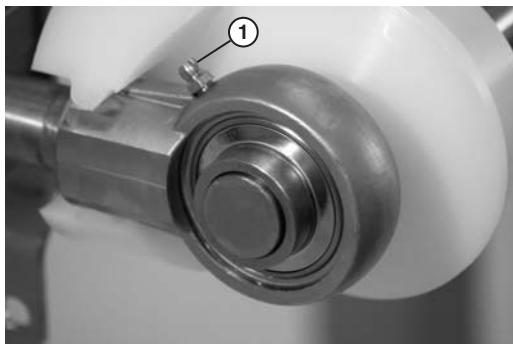


Figure 47

2. Replace the bearings if they become worn.

## Wear Strips and Belt Returns

Replace the wear strips and belt returns if they become worn.

For wear strip and belt return installation instructions:

- Refer to “Wear Strip Installation” on page 11.
- Refer to “Belt Return Installation – Straight Frame Sections” on page 15.

## Maintaining the Conveyor Belt

### Troubleshooting

Inspect conveyor belt for:

- Surface cuts or wear
- Skipping

Damage to belt links or rods, surface cuts and / or wear indicate:

- Sharp or heavy parts impacting belt
- Jammed parts
- Accumulated dirt
- Foreign material inside the conveyor
- Improperly positioned accessories

Skipping indicates:

- Excessive load on belt
- Worn sprockets or impacted dirt on drive pulley

Damage to belt links or rods indicate:

- Excessive load on belt
- Dirt impacted on sprockets
- Excessive or improper side loading
- Improperly positioned accessories

## Conveyor Belt Replacement



### WARNING



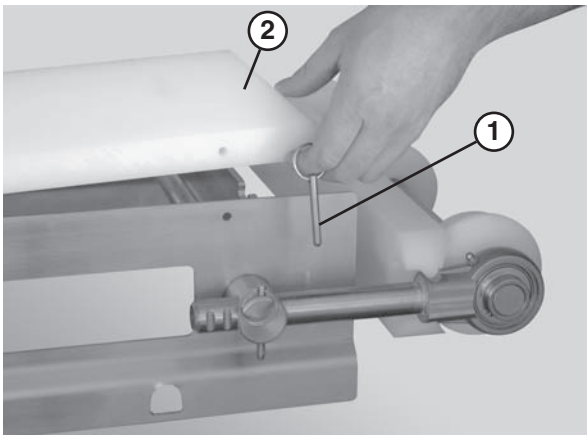
#### SEVERE HAZARD!

**LOCK OUT POWER** before removing guards or performing maintenance. Exposed moving parts can cause serious injury.

# Preventive Maintenance and Adjustment

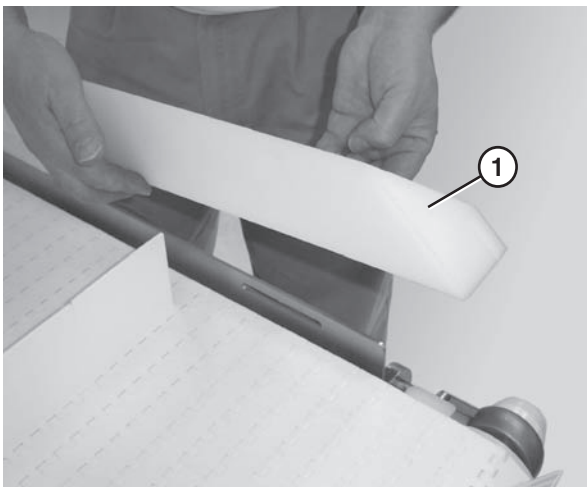
## Conveyors with Guides

1. Remove the pull pins (**Figure 48, item 1**) that connect the guide (**Figure 48, item 2**) to the frame.



**Figure 48**

2. Remove the guide (**Figure 49, item 1**).



**Figure 49**

3. Follow the belt replacement procedures described in “Standard Belts” on page 18, “Specialty Intralox 1100 Series Belts” on page 18, or “Specialty Intralox 1600 Series Belts” on page 18.

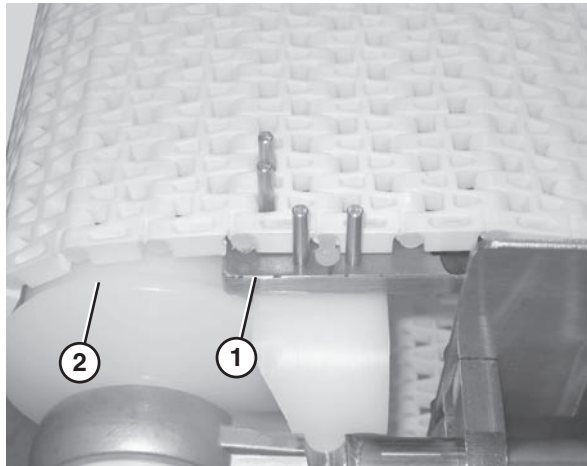
## Standard Belts

### Replacing a Section of Belt

#### **⚠ CAUTION**

Secure the retaining head side of the belt prior to removing a belt rod in order to prevent damaging the belt.

1. Secure the retaining head side of the belt. Use the belt removal tool (**Figure 50, item 1**) for 1" pitch belts. For all other belts, position the section of belt so that it is braced by the flanged puck (**Figure 50, item 2**).



**Figure 50**

2. Use a punch and hammer to push the belt rod out by striking the rod end opposite the retaining head (**Figure 51**).



**Figure 51**

3. Remove the belt rods on both sides of the section of belt being replaced.
4. Replace the old section with a new section of belt.

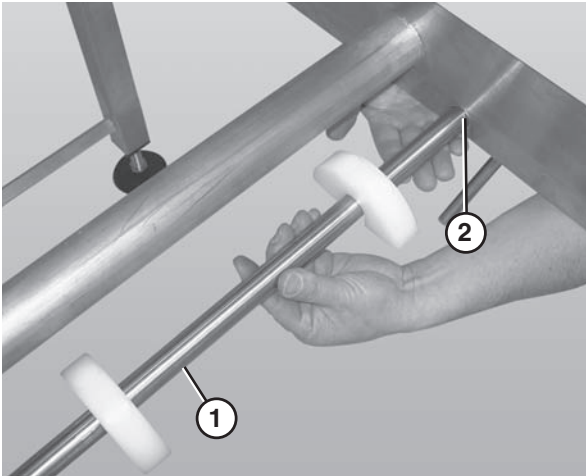
#### **⚠ CAUTION**

DO NOT reuse belt rods that are damaged or show signs of wear.

# Preventive Maintenance and Adjustment

## Replacing the Entire Belt

1. Remove the belt returns by pushing up on the return shaft (**Figure 52, item 1**) and sliding it through the large hole (**Figure 52, item 2**) in the frame.



**Figure 52**

2. Lower the opposite end of the return shaft (**Figure 52, item 1**) and slide it out of the frame.
3. Follow steps 1 – 3 in "Standard Belts: Replacing a Section of Belt" on page 18.
4. Remove the belt.
5. Replace the damaged or worn belt. Refer to "Belt Installation" on page 13 and "Belt Return Installation" on page 15.

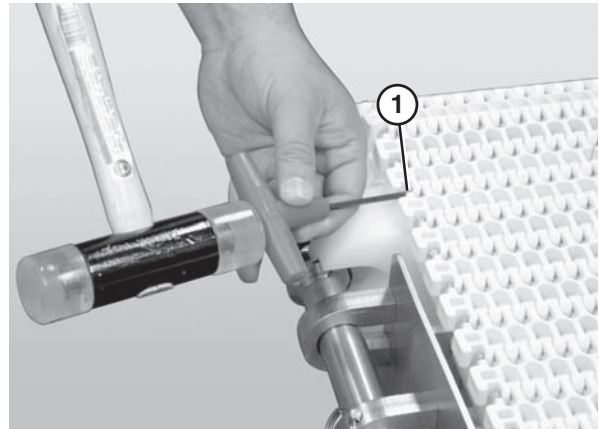
## Specialty Intralox 2400 Series Belts

### Replacing a Section of Belt

#### **CAUTION**

**Secure the retaining head side of the belt prior to removing a belt rod in order to prevent damaging the belt.**

1. Use a punch and hammer to push the belt rod out by striking the rod end opposite the retaining head (**Figure 53, item 1**).



**Figure 53**

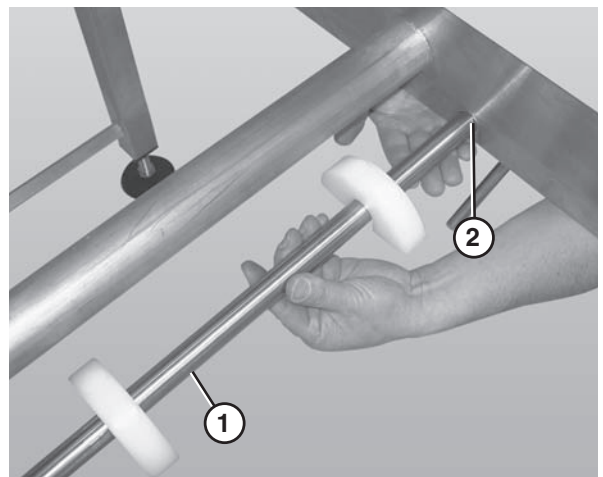
2. Remove the belt rods on both sides of the section of belt being replaced.
3. Replace the old section with a new section of belt.

#### **CAUTION**

**DO NOT reuse belt rods that are damaged or show signs of wear.**

## Replacing the Entire Belt

1. Remove the belt returns by pushing up on the return shaft (**Figure 54, item 1**) and sliding it through the large hole (**Figure 54, item 2**) in the frame.



**Figure 54**

2. Lower the opposite end of the return shaft (**Figure 54, item 1**) and slide it out of the frame.
3. Follow steps 1 – 3 in "Specialty Intralox 2400 Series Belts: Replacing a Section of Belt" on page 18.
4. Remove the belt.
5. Replace the damaged or worn belt. Refer to "Belt Installation" on page 13, and "Belt Return Installation" on page 15.



# Preventive Maintenance and Adjustment

## Conveyor Belt Tensioning

<b>⚠ WARNING</b>

<b>SEVERE HAZARD!</b> LOCK OUT POWER before removing guards or performing maintenance. Exposed moving parts can cause serious injury.

<b>⚠ CAUTION</b>
Belt sag should not exceed 4" (102 mm) from the top of the returns.

1. Check belt for proper sag. Refer to step 7 of “Belt Installation” on page 13.
2. If belt has excessive sag, remove one or more belt links to take up the tension. Refer to “Replacing a Section of Belt” on page 18.


## Sprocket and Puck Removal

<b>⚠ WARNING</b>

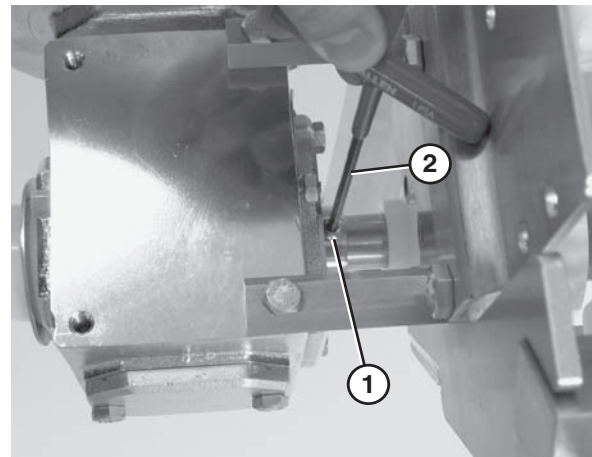
<b>SEVERE HAZARD!</b> LOCK OUT POWER before removing guards or performing maintenance. Exposed moving parts can cause serious injury.

1. Remove the conveyor belt to access the sprockets / pucks. Refer to “Conveyor Belt Replacement” starting on page 17.
2. Remove the desired sprocket / puck by following these instructions:
  - A - Drive Sprocket Removal
  - B - Nose Bar Puck Removal
  - C - Idler Puck Removal

## A - Drive Sprocket Removal

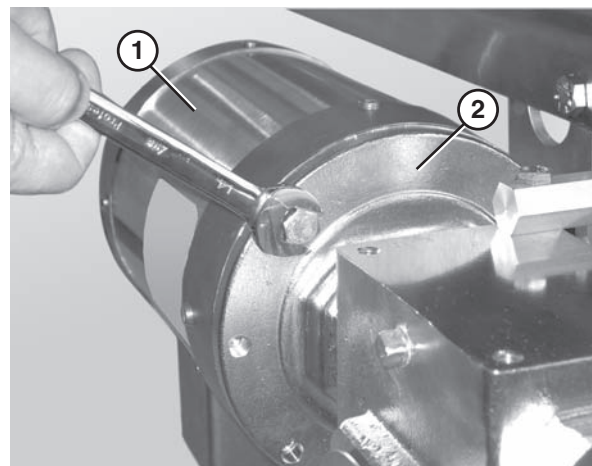
<b>⚠ WARNING</b>

<b>PUNCTURE HAZARD!</b> Handle drive shaft keyway with care. It may be sharp and could puncture the skin, causing serious injury.

1. Loosen the fasteners (**Figure 55, item 1**) that connect the gearmotor to the drive spindle using a hex wrench (**Figure 55, item 2**).



**Figure 55**

2. Remove the bolts that connect the motor to the drive assembly (**Figure 56**).
3. Remove the motor (**Figure 56, item 1**) from the drive assembly (**Figure 56, item 2**).



**Figure 56**

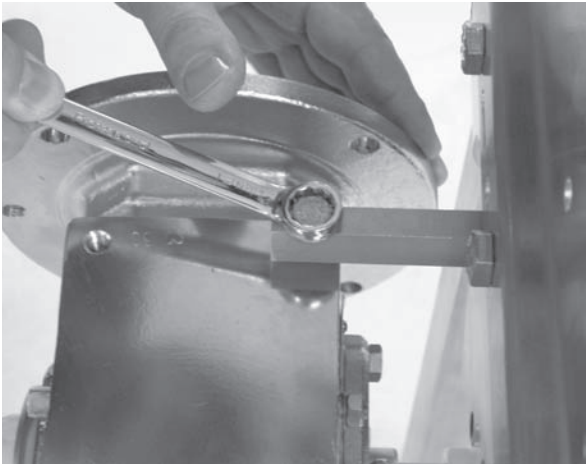


---

# Preventive Maintenance and Adjustment

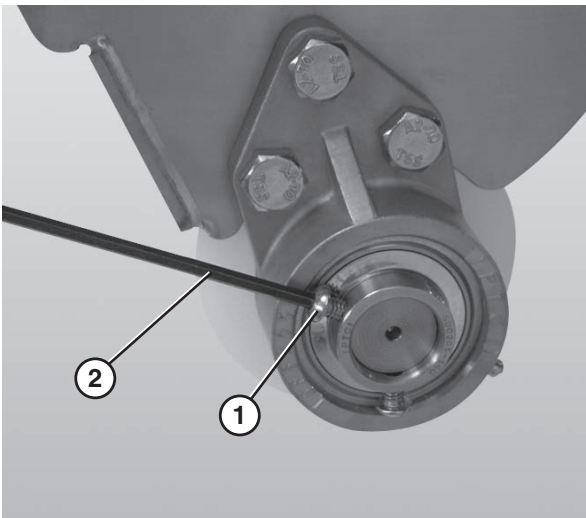
---

4. Unbolt the drive assembly and slide it off the bearing spindle (**Figure 57**).



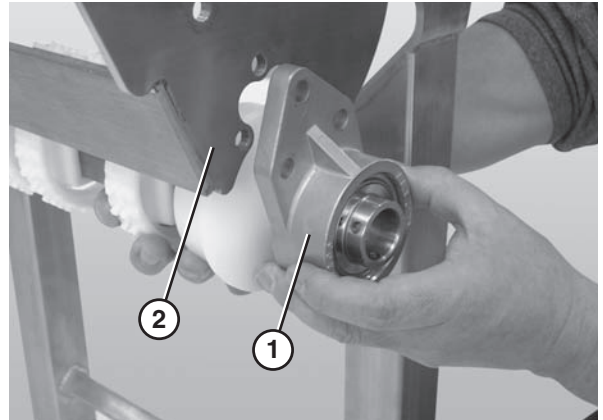
**Figure 57**

5. Remove the bearing cover.
6. Loosen the 3 hole flange (**Figure 58, item 1**) with bearing fasteners using a hex wrench (**Figure 58, item 2**).



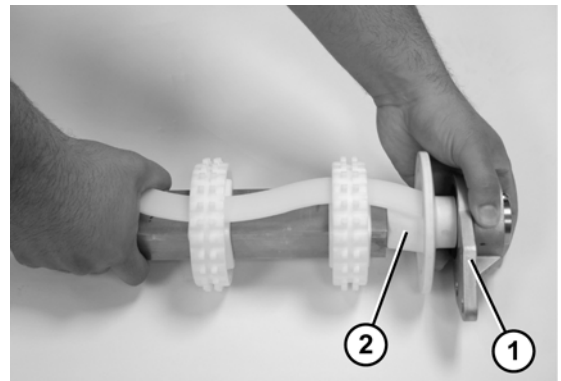
**Figure 58**

7. Disconnect the 3 hole flange bearing (**Figure 59, item 1**) from the nose bar drive weldment (**Figure 59, item 2**).



**Figure 59**

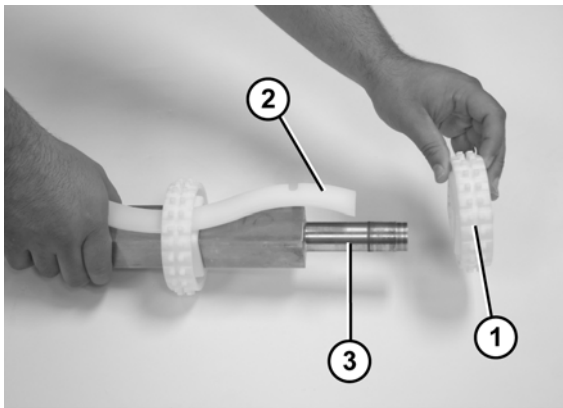
8. Lower the entire drive assembly.
9. Slide the 3 hole flange with bearing (**Figure 60, item 1**) and flanged puck (**Figure 60, item 2**) off the drive spindle.



**Figure 60**

# Preventive Maintenance and Adjustment

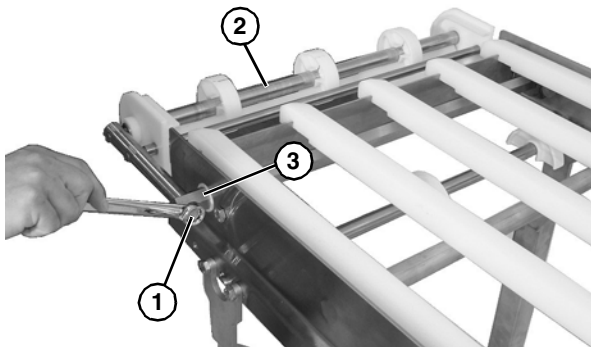
- Slide the sprockets (**Figure 61, item 1**) and the sprocket alignment bar (**Figure 61, item 2**) off the drive spindle (**Figure 61, item 3**).



**Figure 61**

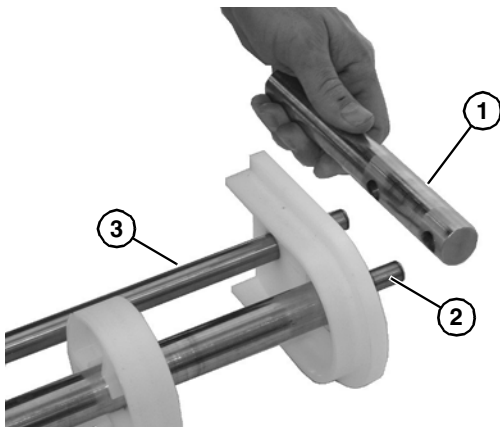
## B - Idler Puck Removal

- Remove bolt (**Figure 62, item 1**) from each side, and remove idler tail assembly (**Figure 62, item 2**) from take up blocks (**Figure 62, item 3**).



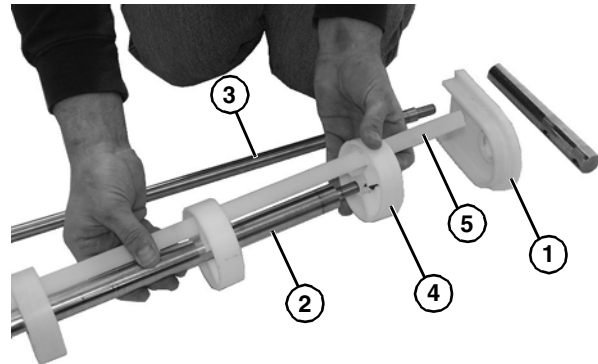
**Figure 62**

- Remove the bearing end rod (**Figure 63, item 1**) from idler shaft (**Figure 63, item 2**) and pinch guard shaft (**Figure 63, item 3**).



**Figure 63**

- Remove pinch guard (**Figure 64, item 1**) from idler shaft (**Figure 64, item 2**) and pinch guard shaft (**Figure 64, item 3**).

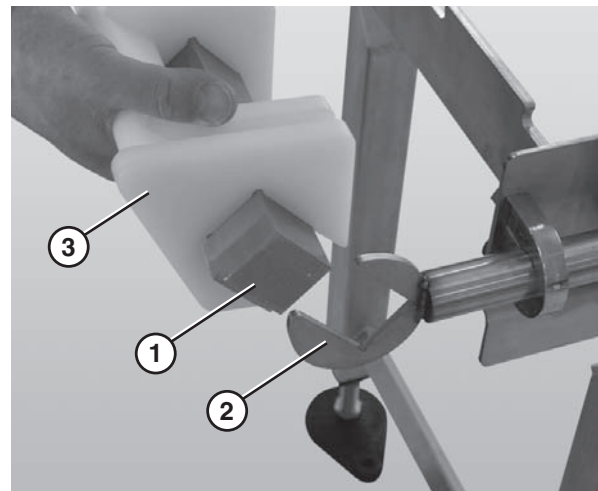


**Figure 64**

- Slide the pucks (**Figure 64, item 4**) and alignment bar (**Figure 64, item 5**) off the idler shaft (**Figure 64, item 2**).

## C - Nose Bar Puck Removal

- Slide the nose bar drive or transfer post (**Figure 65, item 1**) out of the nose bar drive weldment or idler hands (**Figure 65, item 2**).

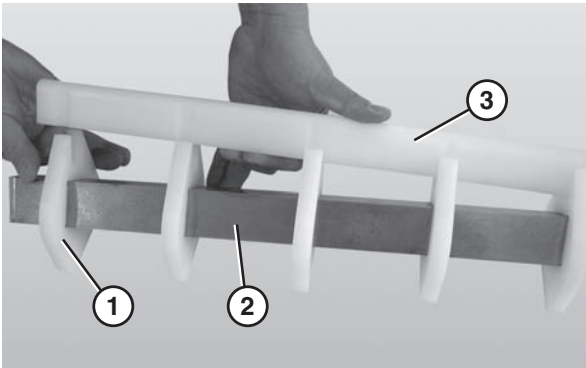


**Figure 65**

- Remove the nose bar tracking pucks (**Figure 65, item 3**), if applicable.

# Preventive Maintenance and Adjustment

3. Remove the nose bar wear strip (**Figure 66, item 3**).



**Figure 66**

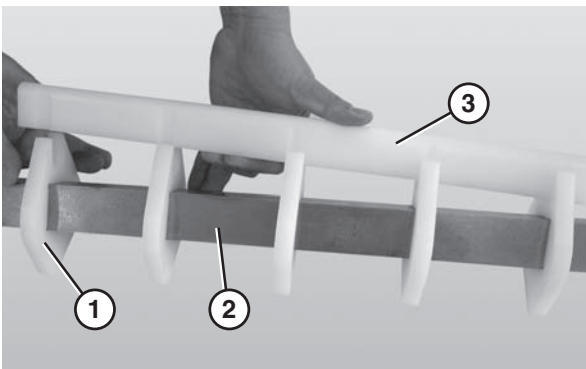
4. Slide the nose bar pucks (**Figure 66, item 1**) off the nose bar shaft (**Figure 66, item 2**).

## Reassembling Tail Assemblies

Refer to the "Service Parts" section starting on page 26 for complete diagrams and lists of all tail assembly components.

### Nose Bar Idler

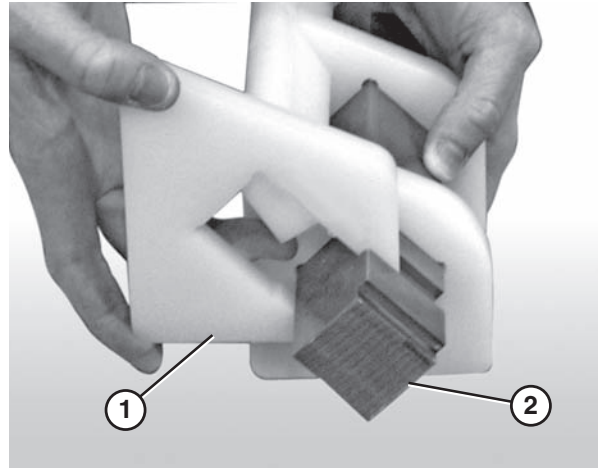
1. Slide the nose bar pucks (**Figure 67, item 1**) onto the nose bar drive post (**Figure 67, item 2**).



**Figure 67**

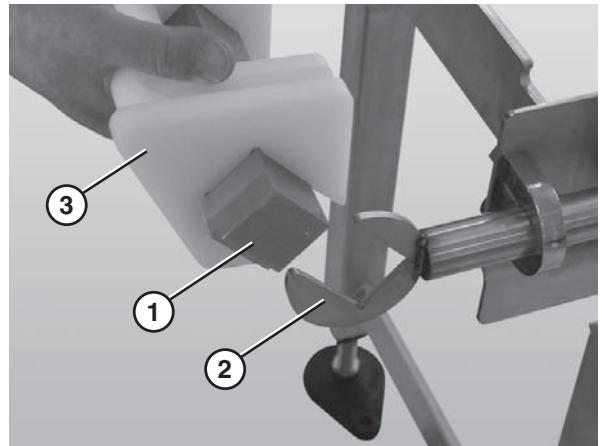
2. Attach the nose bar wear strip (**Figure 67, item 3**).

3. Attach the nose bar tracking pucks (**Figure 68, item 1**) to the nose bar drive post (**Figure 68, item 2**).



**Figure 68**

4. After all tracking pucks (**Figure 69, item 3**) are installed, slide the nose bar drive or transfer post (**Figure 69, item 1**) into the nose bar drive weldment or idler hands (**Figure 69, item 2**).



**Figure 69**

# Preventive Maintenance and Adjustment

## Idler Tail

1. Place the pucks (Figure 70, item 1) into the slots (Figure 70, item 2) of alignment bar (Figure 70, item 3).

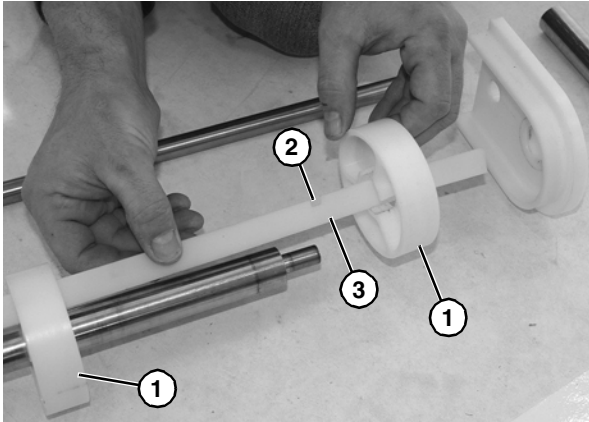


Figure 70

2. Slide all the idler pucks (Figure 71, item 1) along with alignment bar onto idler shaft (Figure 71, item 2).

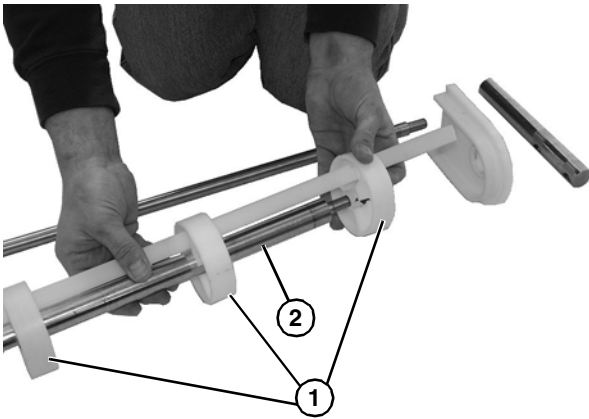


Figure 71

3. Install the pinch guard (Figure 72, item 1) to each side onto idler shaft (Figure 72, item 2) and pinch guard shaft (Figure 72, item 3).

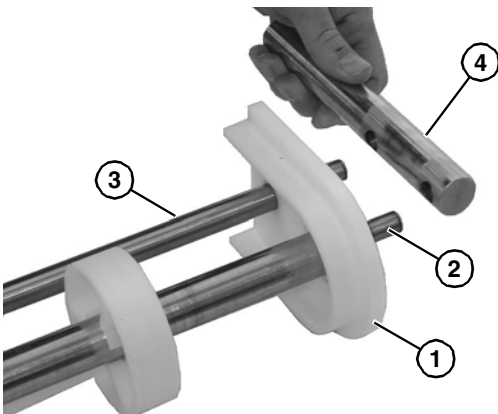


Figure 72

4. Install the bearing end rod (Figure 72, item 4) onto idler shaft (Figure 72, item 2) and rod (Figure 72, item 3).

## Drive Tail Assembly

1. Slide the first sprocket (Figure 73, item 1) onto the drive spindle (Figure 73, item 2).

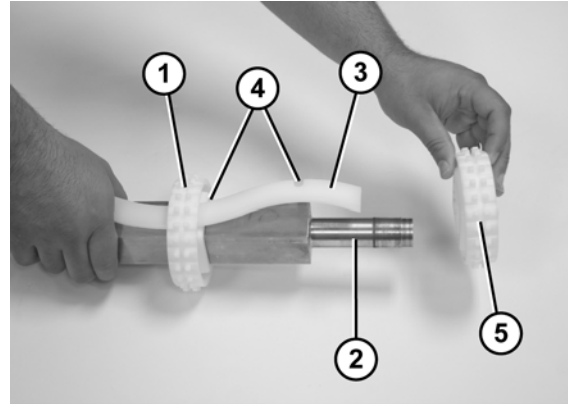


Figure 73

2. Insert the sprocket alignment bar (Figure 73, item 3) into the first sprocket and align the sprocket with the notch (Figure 73, item 4) in the sprocket alignment bar.
3. Slide the remaining sprockets (Figure 73, item 5) onto drive spindle and align each sprocket with the notches (Figure 73, item 4) in the sprocket alignment bar. Be sure that at least three sprockets (Figure 74, item 1) are positioned such that they are on alternate opposing locations on the alignment bar.

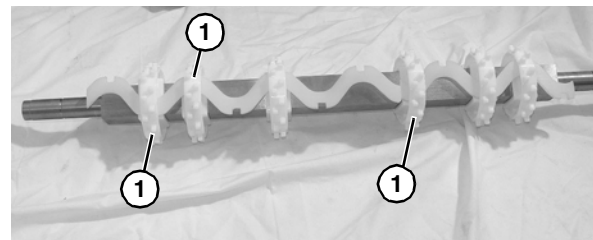


Figure 74

# Preventive Maintenance and Adjustment

4. Attach the flanged pucks (Figure 75, item 1) and the 3 hole flange with bearing (Figure 75, item 2) to the drive spindle.

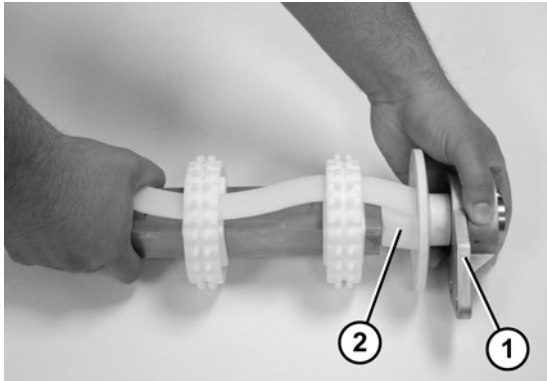


Figure 75

5. Tighten the 3 hole flange with bearing fasteners (Figure 76, item 1) using a hex wrench (Figure 76, item 2) to 54 in•lbs (6 N•m). Check after 24 hours of conveyor use.

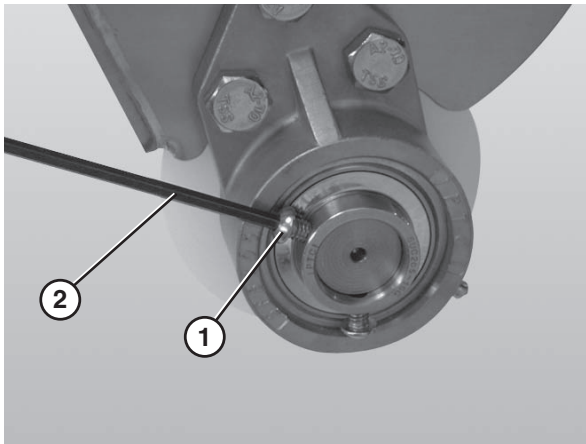


Figure 76

## Bearing Replacement

1. Secure the bearing shaft in the take up blocks.
2. Insert the rod end of a second bearing shaft through the bearing (Figure 77).

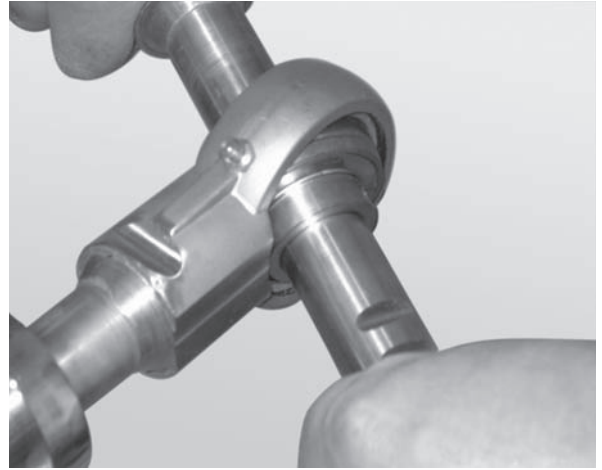


Figure 77

3. Apply lateral pressure to the rod until the bearing comes loose.
4. Remove the worn or damaged bearing (Figure 78).

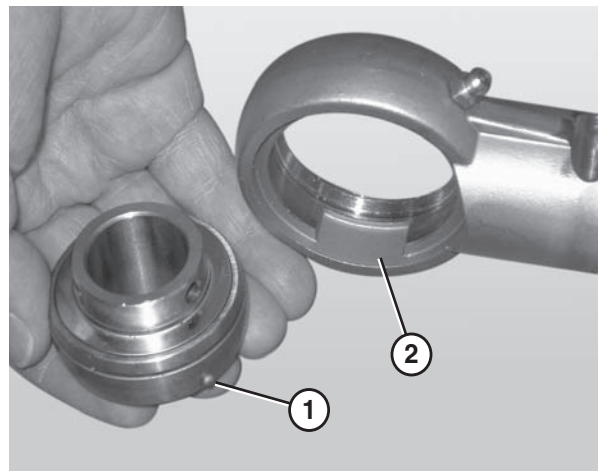


Figure 78

5. Replace the bearing.


### NOTE

When inserting the new bearing, make sure the anti-rotation notch (Figure 78, item 1) on the bearing lines up with the groove inside the housing (Figure 78, item 2).

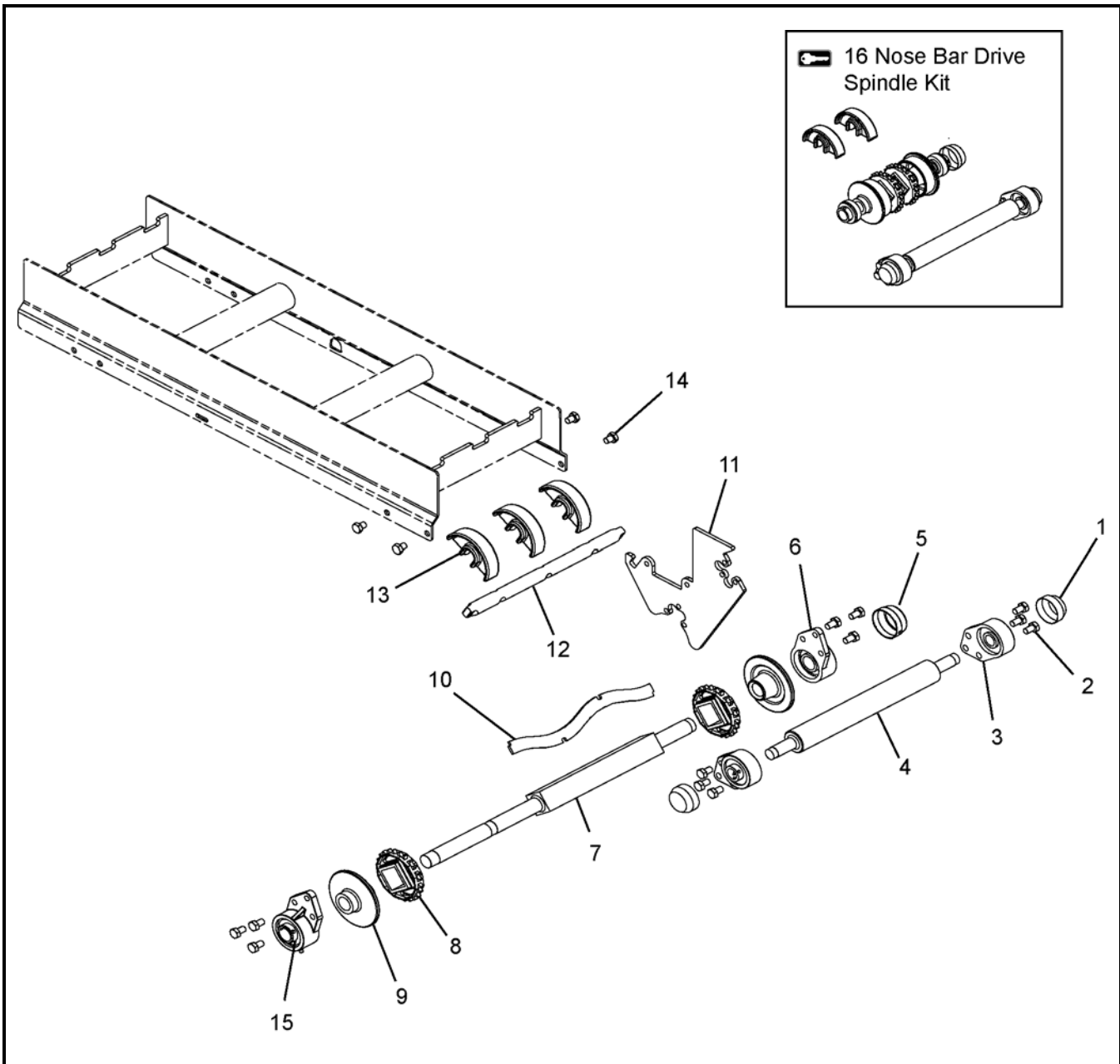


# Service Parts

## NOTE

For replacement parts other than those shown in this section, contact an authorized Dorner Service Center or the factory. Key Service Parts and Kits are identified by the Performance Parts Kits logo . Dorner recommends keeping these parts on hand.

## Nose Bar Drive End Components





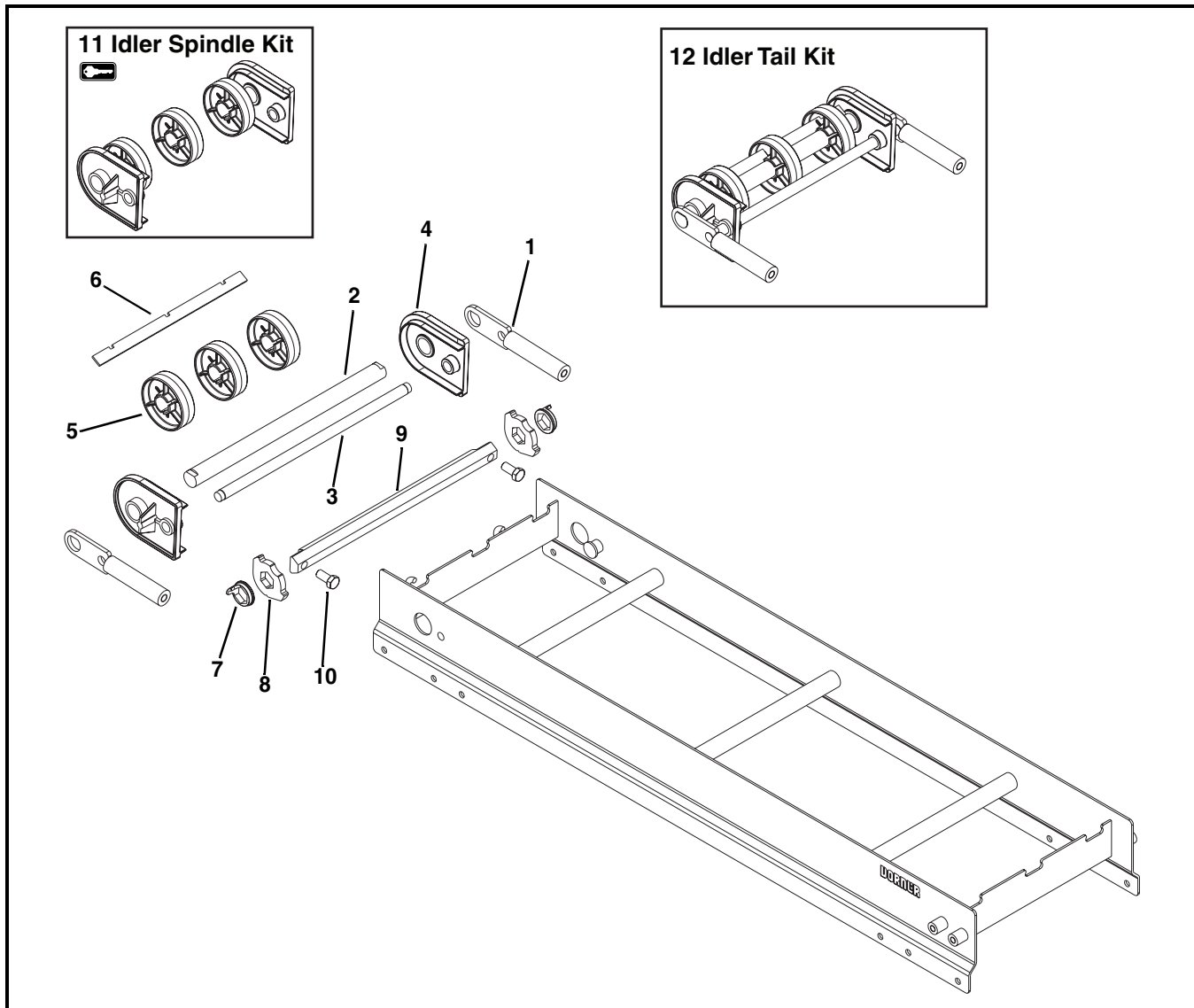
# Service Parts

Item	Part Number	Description
1	802-133	Bearing Cover
2	961016MSS	Hex Head Cap Screw M10-1.5x16mm
3	802-132	3 Hole Flange Bearing 20mm Bore
4	5006WW	Transfer Spindle
5	807-1454	Bearing Cover
6	500288	3 Hole Flange with Bearing
7	5015WW	Drive Spindle for Standard Belt
	5070WW	Drive Spindle for Specialty Intralox Belt
	5295WW	CE Drive Spindle for Standard Belt
	5294WW	CE Drive Spindle for Specialty Intralox Belt
8	807-1444	Sprocket for Standard 1.00" Pitch Belt
	807-1447	Sprocket for Specialty Intralox 1.00" Pitch Belt
9	5053WW	Flange Puck for Standard Belt
	5071WW	Flange Puck for Specialty Intralox Belt
10	5090WW	Sprocket Alignment Bar for Standard 1.00" Pitch Belt
	5089WW	Sprocket Alignment Bar for Specialty Intralox 1.00" Pitch Belt
11	500496	Nose Bar Drive Sideplate
12	5039WW	Return Shaft
13	500075	Chain Return Shoe
14	961012MSS	Hex Head Cap Screw M10-1.5x12mm
15	802-163	Bearing
16	74NBDD25-WW	Nose Bar Drive Spindle Kit with a Dorner Gearmotor Mounting Package for Standard 1.00" Pitch Belt (Includes Items 1 through 5, 8, 9, 13 and 15)
	74NBDD24-WW	Nose Bar Drive Spindle Kit with a Dorner Gearmotor Mounting Package for Specialty Intralox 1.00" Pitch Belt (Includes Items 1 through 5, 8, 9, 13 and 15)
	74NBDC25-WW	Nose Bar Drive Spindle Kit without a Dorner Gearmotor Mounting Package for Standard 1.00" Pitch Belt (Includes Items 1 through 5, 8, 9, 13 and 15)
	74NBDC24-WW	Nose Bar Drive Spindle Kit without a Dorner Gearmotor Mounting Package for Specialty Intralox 1.00" Pitch Belt (Includes Items 1 through 5, 8, 9, 13 and 15)
WW = Conveyor width ref: 08 - 36 in 02 increments		

Sprocket Quantity (Item 8)	
Width	Sprocket Quantity
8" (203mm)	2
10" (254mm)	3
12" (305mm)	3
14" (356mm)	4
16" (406mm)	4
18" (457mm)	5
20" (508mm)	5
22" (559mm)	6
24" (610mm)	6
26" (660mm)	7
28" (711mm)	7
30" (762mm)	8
32" (813mm)	8
34" (864mm)	9
36" (914mm)	9

# Service Parts

## Tension End Components

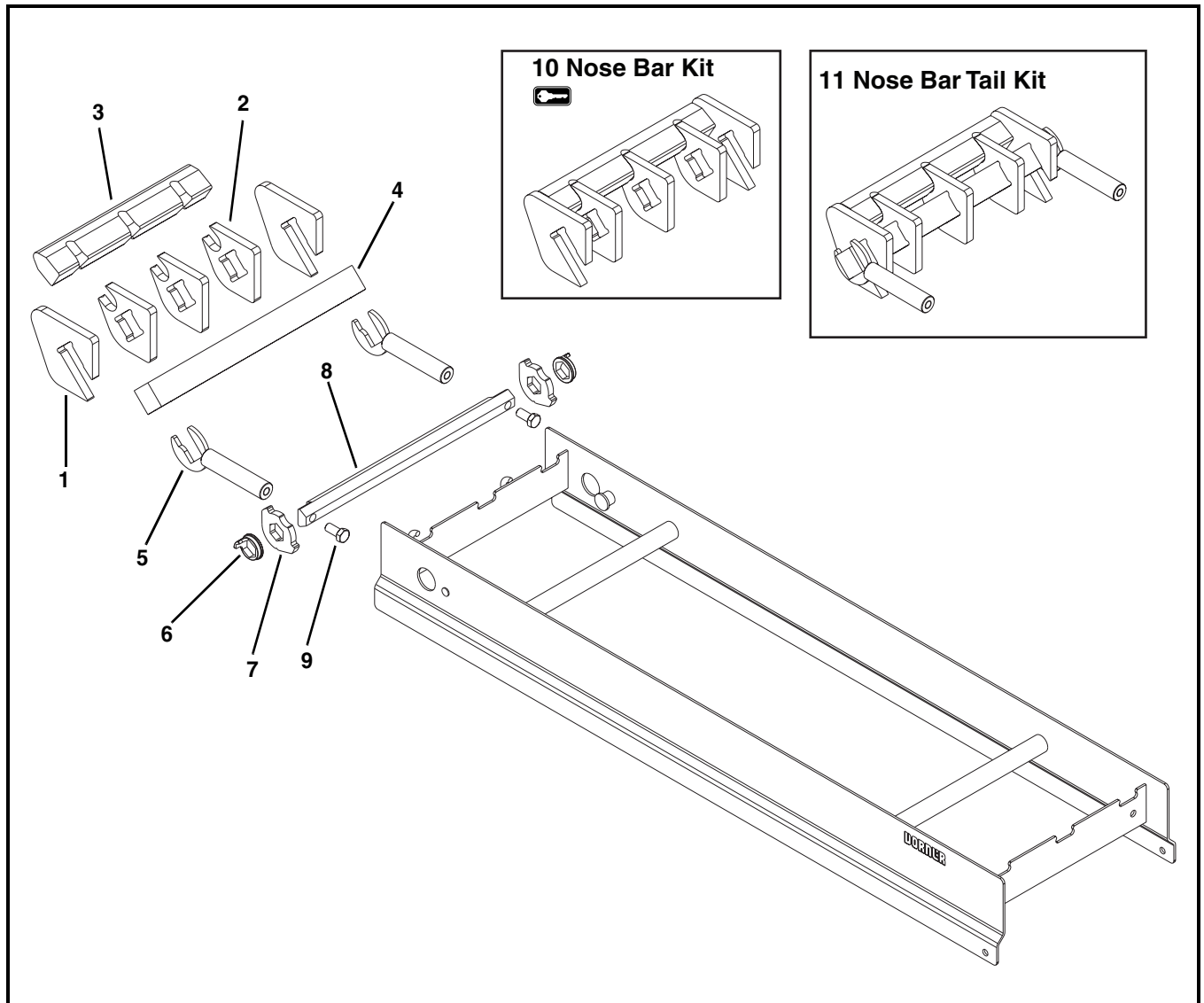


Item	Part Number	Description
1	506801	Shaft Assembly
2	506397- <u>WW</u>	Idler Shaft
3	506396- <u>WW</u>	Pinch Guard Shaft
4	506327- <u>WW</u>	Tracking Plate for Standard Belt
	506332- <u>WW</u>	Tracking Plate for Specialty Intralox Belt
5	506297	Idler Puck
6	506313- <u>WW</u>	Alignment Bar for Standard Belt
	506314- <u>WW</u>	Alignment Bar for Specialty Intralox Belt

Item	Part Number	Description
7	514387	Tip Up Sleeve
8	506356	Stop Key
9	506328- <u>WW</u>	Hex Bar
10	961225MSS	Hex Head Cap Screw M12-1.75 x 25mm
11	74IX- <u>WW</u>	Idler Spindle Tail Kit for Standard Belt (Includes Items 4 and 5)
	74ISX- <u>WW</u>	Idler Spindle Tail Kit for Specialty Intralox Belt (Includes Items 4 and 5)
12	74ITX- <u>WW</u>	Idler Tail Kit for Standard Belt (Includes Items 1 through 6)
	74ITSX- <u>WW</u>	Idler Tail Kit for Specialty Intralox Belt (Includes Items 1 through 6)

WW = Conveyor width ref: 08 - 36 in 02 increments

## Nose Bar Tension End



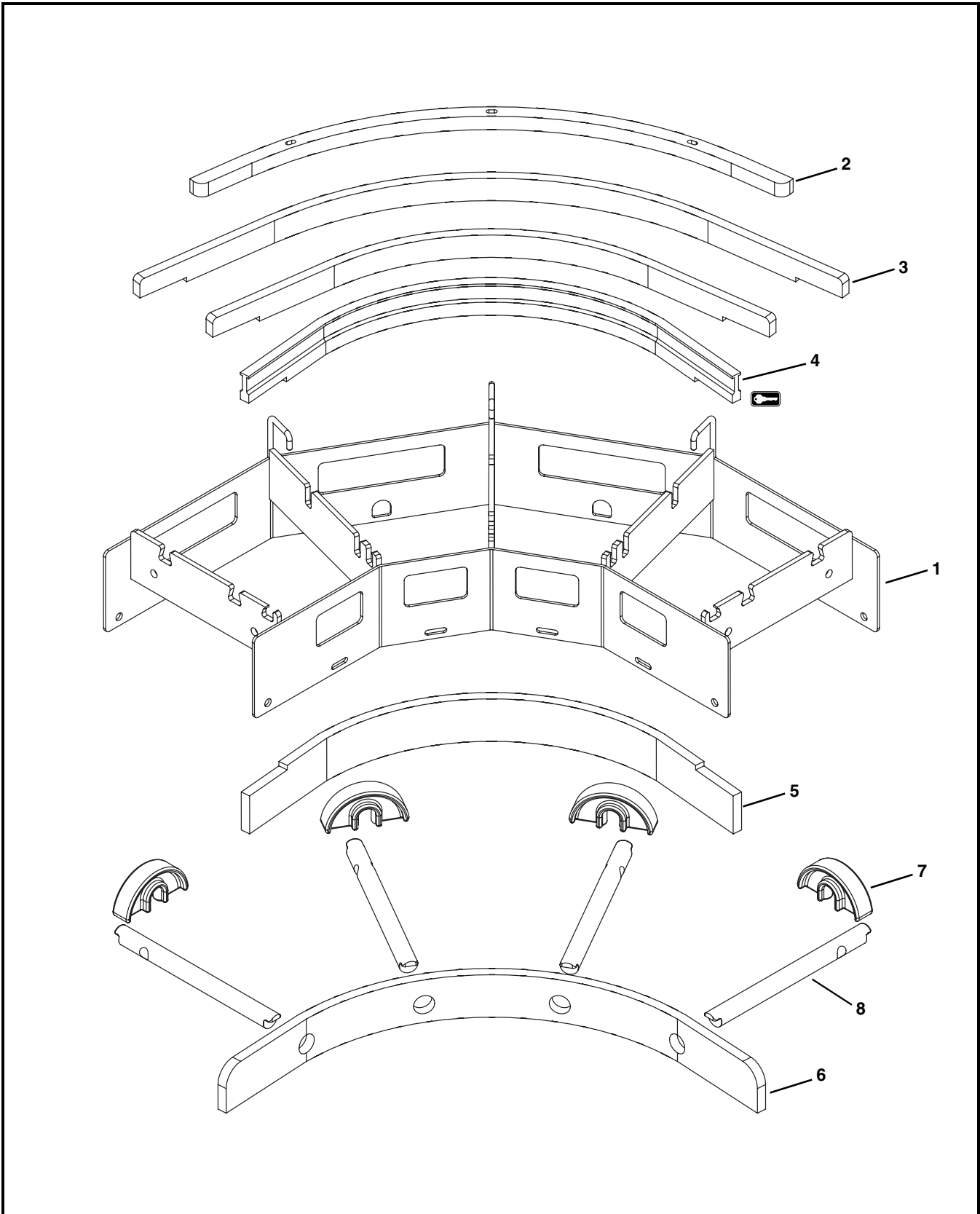
Item	Part Number	Description
1	500490	Nose Bar Tracking Puck
2	500278	Nose Bar Puck
3	5056WW	.5" Pitch Nose Bar Wear Strip
	5058WW	1" Pitch Nose Bar Wear Strip
4	5037WW	Nose Bar Transfer Post for Standard Belt
	5076WW	Nose Bar Transfer Post for Specialty Intralox Belt
5	506363	Nose Bar Idler Shaft
6	514387	Tip Up Sleeve
7	506356	Stop Key
8	506328-WW	Hex Bar
9	961225MSS	Hex Head Cap Screw M12-1.75 x 25mm

Item	Part Number	Description
10	74NB5X-WW	.5" Nose Bar Kit (Includes Items 1 through 3)
	74NB1X-WW	1" Nose Bar Kit (Includes Items 1 through 3)
11	74NBT5X-WW	.5" Nose Bar Tail Kit, for Standard Belt (Includes Items 1 through 5)
	74NBT1X-WW	1" Nose Bar Tail Kit, for Standard Belt (Includes Items 1 through 5)
	74NBT5SX-WW	.5" Nose Bar Tail Kit, for Specialty Intralox Belt (Includes Items 1 through 5)
	74NBT1SX-WW	1" Nose Bar Tail Kit, for Specialty Intralox Belt (Includes Items 1 through 5)

WW = Conveyor width ref: 08 - 36 in 02 increments

# Service Parts

## Curve Conveyor Frame and Wear Strips



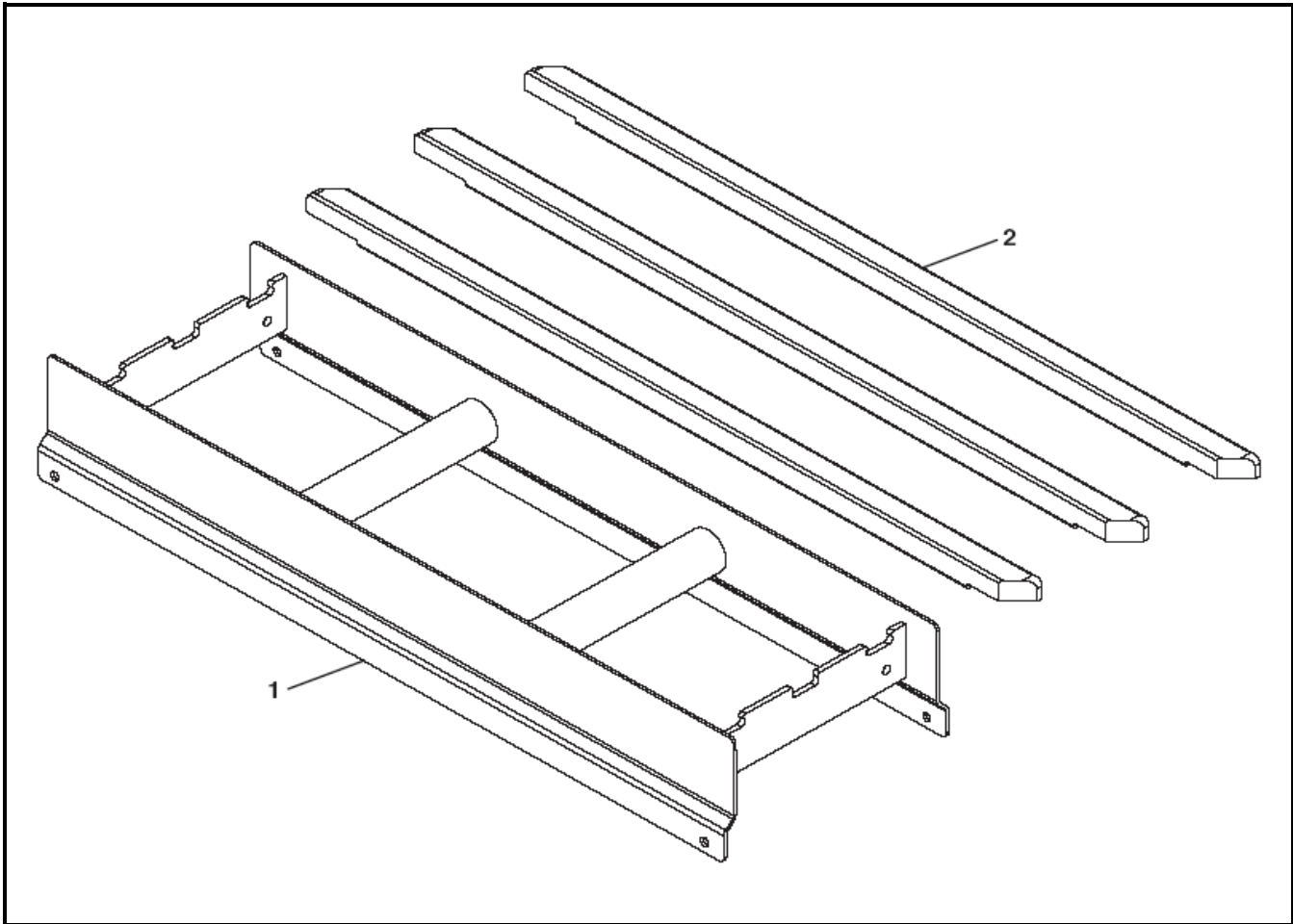
# Service Parts

Item	Part Number	Description
1	-----	Consult Factory for Frame Part Number
2	500189- <u>LLLLL</u>	Hold Down Wearstrip
3	500186- <u>LLLLL</u>	Curved Bed Rail Group
4	500187- <u>LLLLL</u>	Low Side Inside Curve Top Wearstrip
	500197- <u>LLLLL</u>	High Side Inside Curve Top Wearstrip
5	500188- <u>LLLLL</u>	Inside Return Bottom Wearstrip
6	500190- <u>LLLLL</u>	Return Bottom Wearstrip
7	500075	Chain Return
8	5033 <u>WW</u>	Curve Return Shaft
<u>LLLLL</u> = Length in inches with 2 decimal places.		
Example: Length = 95.25" <u>LLLLL</u> = 09525		
<u>WW</u> = Conveyor width ref: 08 - 36 in 02 increments		

		Section Degree of Turn Chart		
		Conveyor Width ( <u>WW</u> )		
		08-10	12-24	26-36
Module Degree of Turn	15	N/A	15	15
	30	30	30	30
	45	N/A	45	45
	60	60	60	30 & 30
	75	N/A	75	45 & 30
	90	90	90	45 & 45
	105	N/A	60 & 45	45, 30 & 30
	120	60 & 60	60 & 60	45, 45 & 30
	135	N/A	75 & 60	45, 45 & 45
	150	90 & 60	75 & 75	45, 45, 30 & 30
165	N/A	90 & 75	45, 45, 45 & 30	
180	90 & 90	90 & 90	45, 45, 45 & 45	

# Service Parts

## Straight Conveyor Frame and Wear Strips

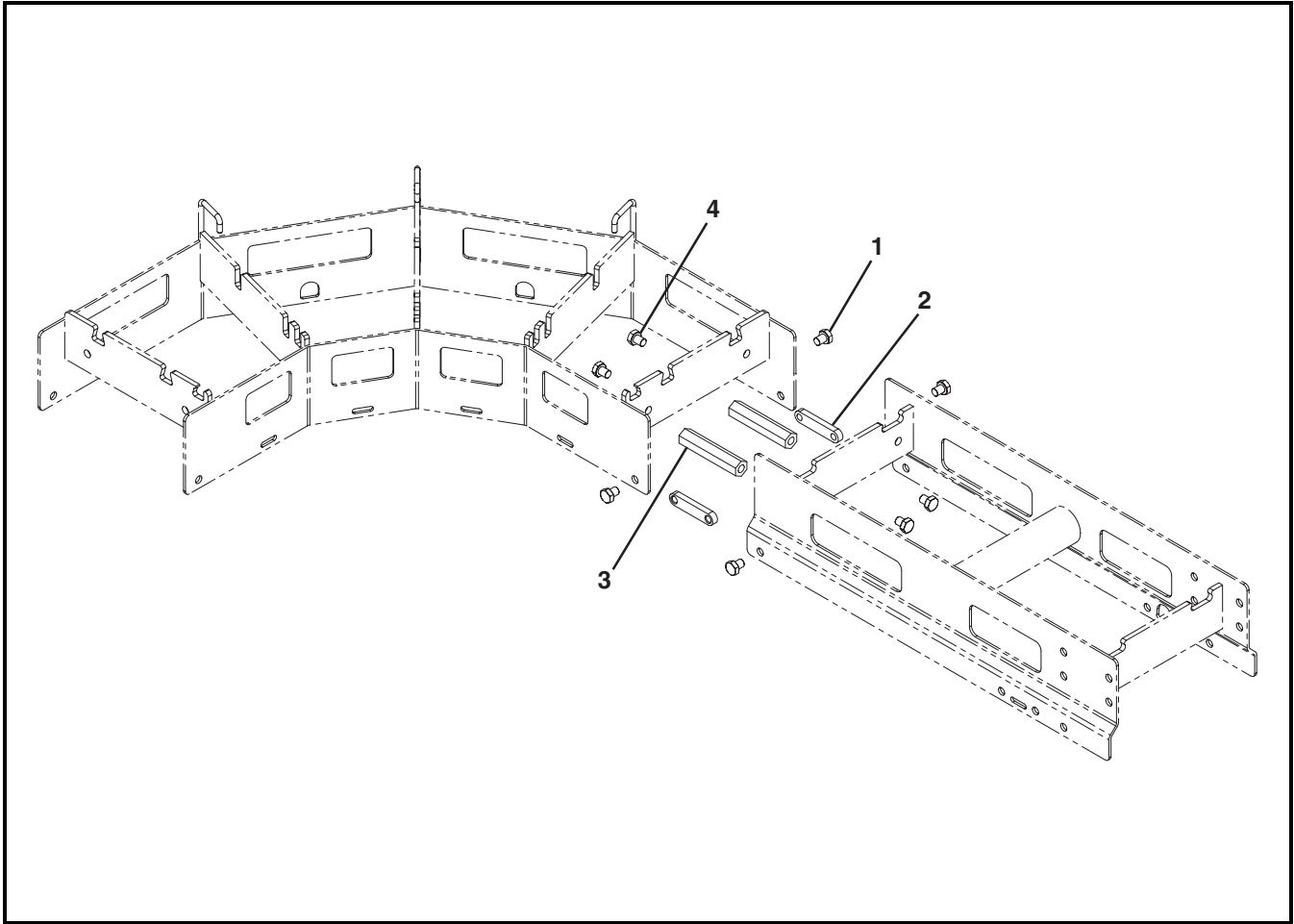


Item	Part Number	Description
1	-----	Consult Factory for Frame Part Number
2	501800- <u>LLL</u>	Straight Wear Strip (Refer to chart)
<u>LLL</u> = Conveyor length ref: 020 - 999 in 001 increments		
<u>WW</u> = Conveyor width ref: 08 - 36 in 02 increments		

		Wear Strip Quantity (Item 2)							
		Conveyor Length ( <u>LLL</u> )							
		020-132	133-252	253-372	373-492	493-612	613-732	733-852	853-999
Conveyor Width ( <u>WW</u> )	08	2	4	6	8	10	12	14	16
	10	3	6	9	12	15	18	21	24
	12	3	6	9	12	15	18	21	24
	14	3	6	9	12	15	18	21	24
	16	4	8	12	16	20	24	28	32
	18	4	8	12	16	20	24	28	32
	20	5	10	15	20	25	30	35	40
	22	5	10	15	20	25	30	35	40
	24	5	10	15	20	25	30	35	40
	26	6	12	18	24	30	36	42	48
	28	6	12	18	24	30	36	42	48
	30	6	12	18	24	30	36	42	48
	32	7	14	21	28	35	42	49	56
34	7	14	21	28	35	42	49	56	
36	8	16	24	32	40	48	56	64	



Conveyor Frame Connection

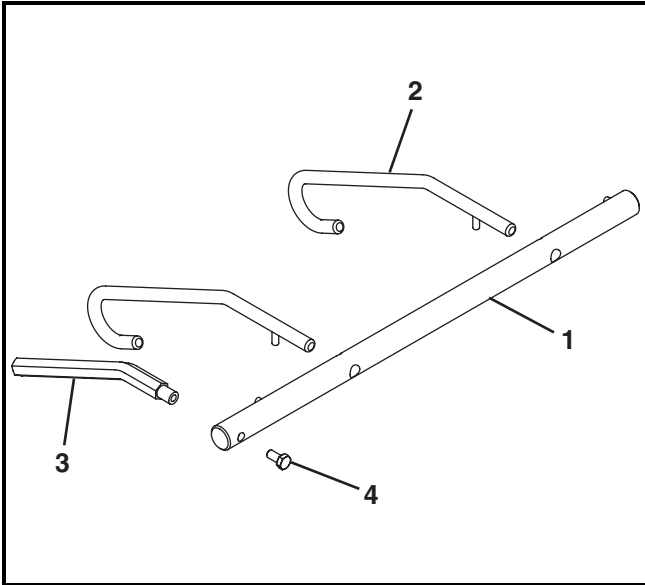


Item	Part Number	Description
1	961016MSS	Hex Head Cap Screw, M10-1.5x16 mm
2	500199	Flat Connector (Not Applicable if Stand Located at Connection)

Item	Part Number	Description
3	500193	Hex Post Connector
4	961016MSS	Hex Head Cap Screw, M10-1.5x16 mm

# Service Parts

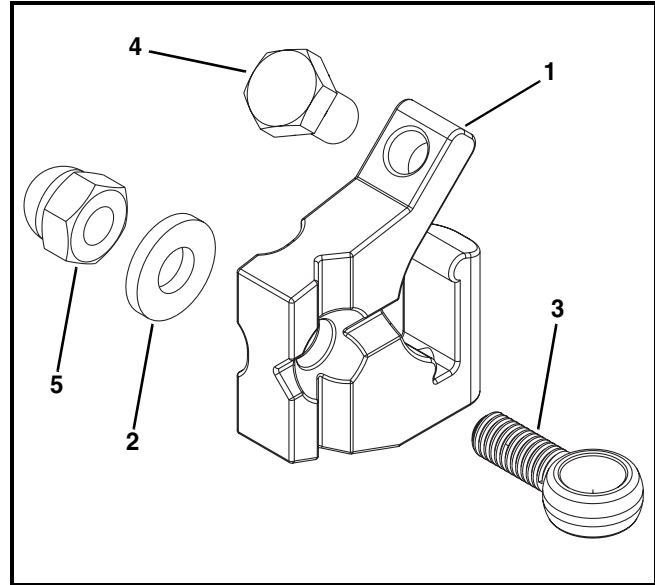
## Lifters



Item	Part Number	Description
1	5054 <del>WW</del>	Belt Lifter Shaft
2	501376	Belt Lifter
3	500491	Belt Lifter Handle
4	960812MSS	Hex Head Cap Screw, M8-1.25 x 12 mm

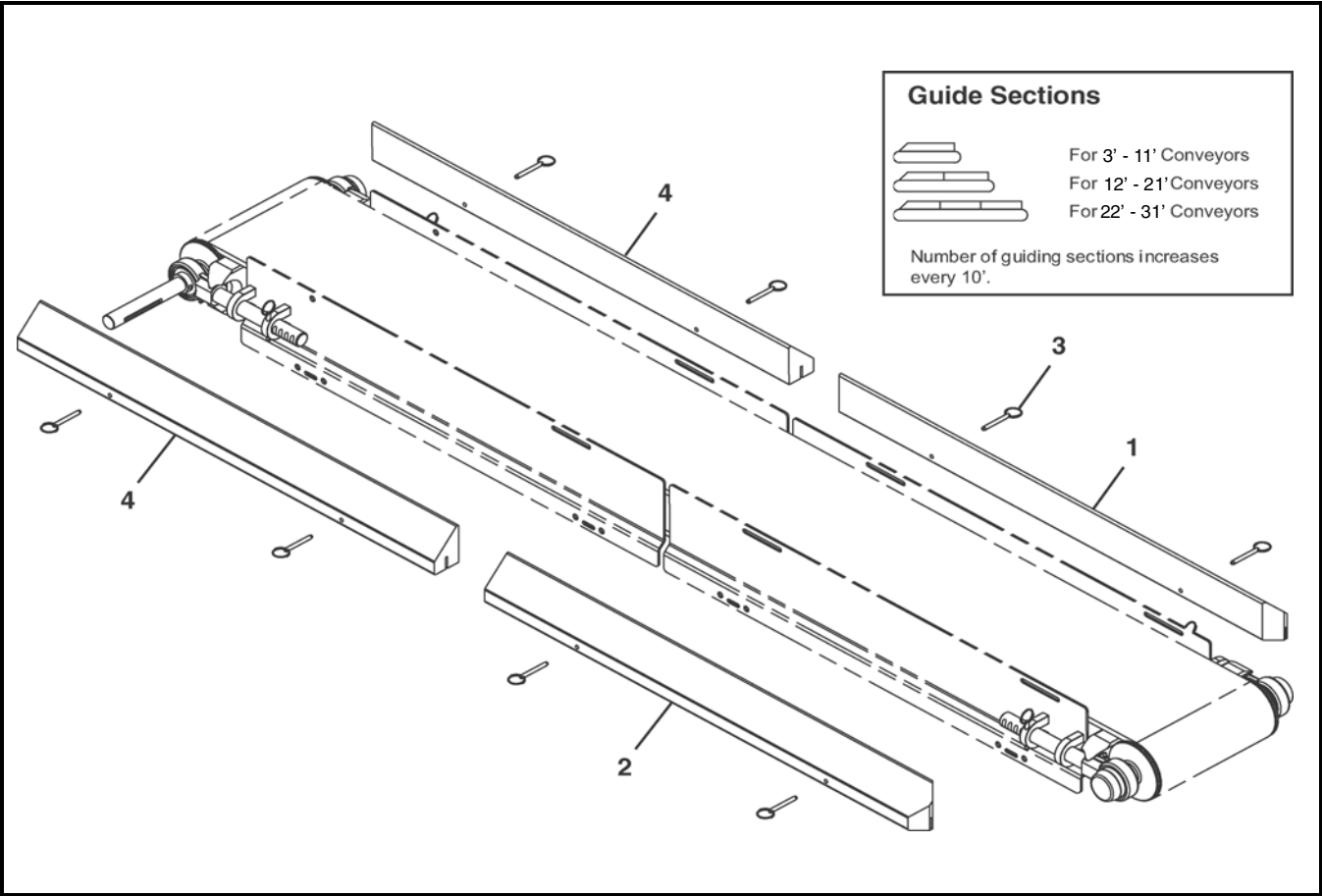
~~WW~~ = Conveyor width ref: 08 - 36 in 02 increments

## Mounting Block



Item	Part Number	Description
1	509868	Mounting Block
2	807-1821	Washer
3	807-1994	Eyebolt, M10 x 1.50 mm
4	961016MSS	Hex Head Cap Screw, M10 - 1.50 x 16 mm
5	991008MSS	Hex Nut, M10 - 1.50 mm

## 3" (76 mm) High Sides

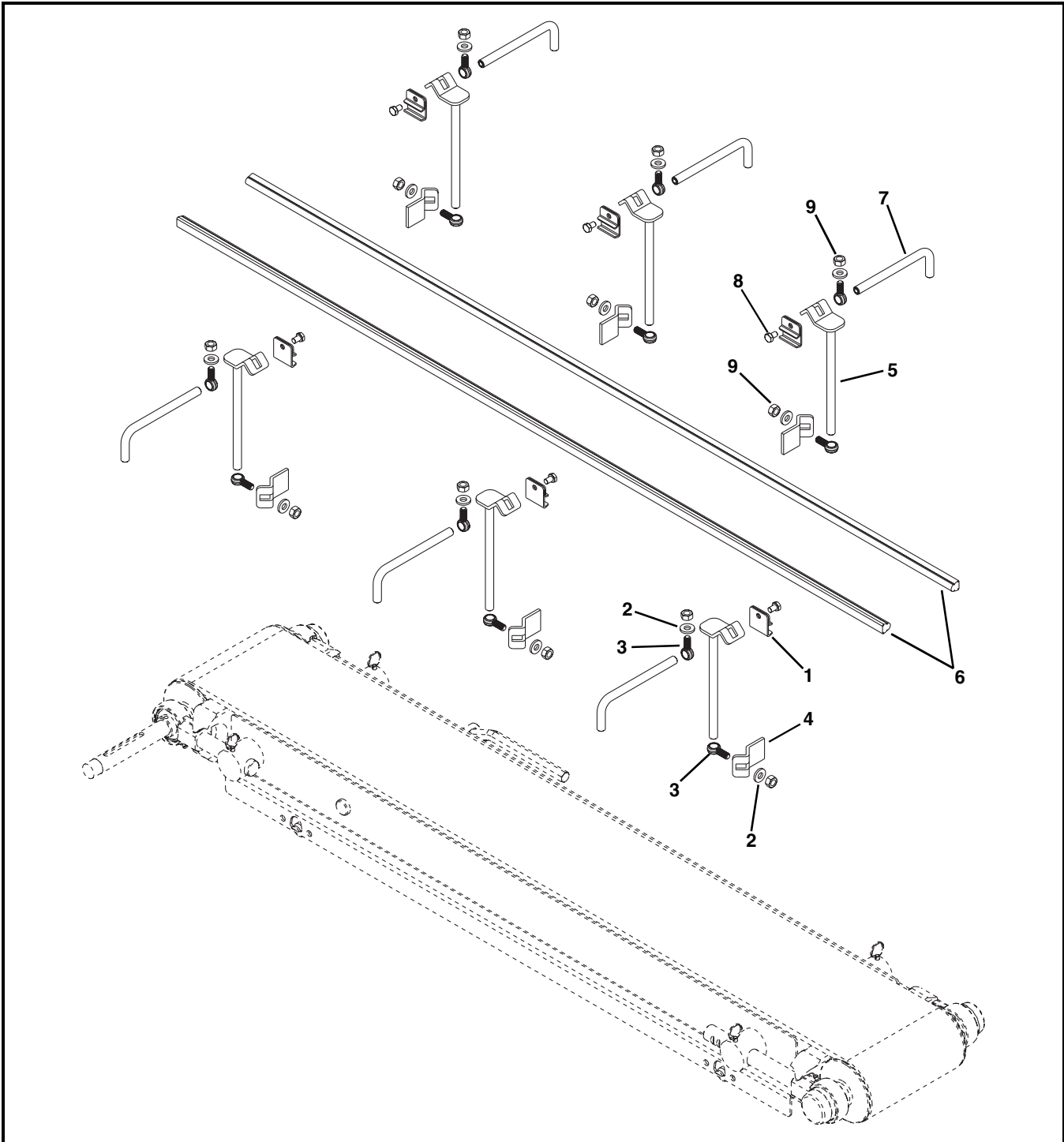


Item	Part Number	Description
1	503501- <u>LLLLL</u>	Right Hand High Side Guide
2	503601- <u>LLLLL</u>	Left Hand High Side Guide
3	807-1553	Pull Pin

Item	Part Number	Description
4	503401- <u>LLLLL</u>	Square End High Side Guide
<u>LLLLL</u> = Guide Length in inches with 2 decimal places.		
Example: Guide Length = 95.25" <u>LLLLL</u> = 09525		

# Service Parts

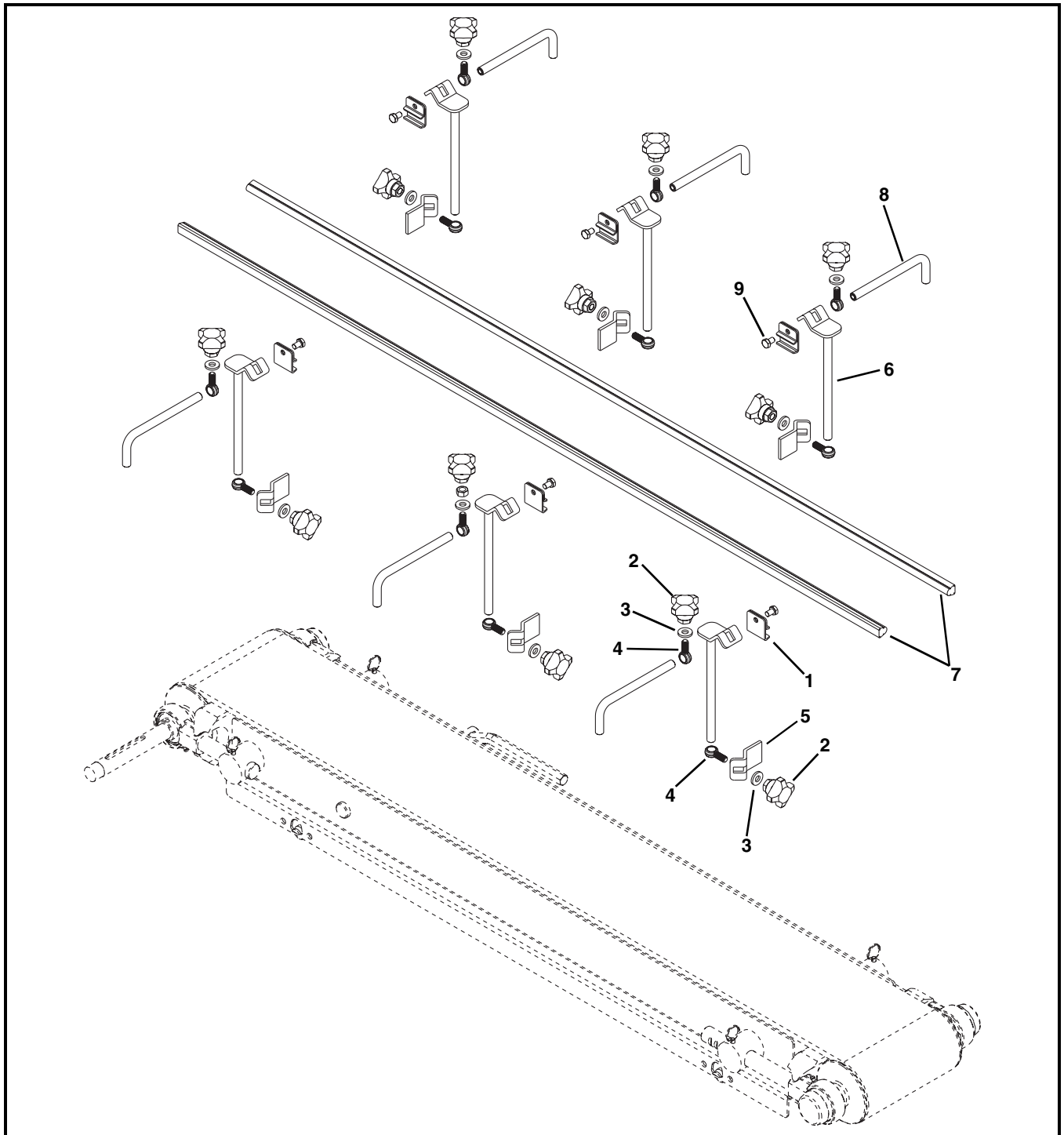
## Adjustable Guiding



Item	Part Number	Description
1	807-015	Rail Clamp
2	807-1821	Washer
3	807-1994	Eye Bolt M10 x 1.50 mm
4	509875	Mounting Bracket
5	509876	Vertical Post Assembly
6	532167- <u>LLLLL</u>	Round Guide Rail

Item	Part Number	Description
7	532300	Guide Post
8	960812MSS	Hex Head Cap Screw, M8 - 1.25 x 12 mm
9	991001MSS	Hex Nut, M10 - 1.50 mm
<u>LLLLL</u> = Length in inches with 2 decimal places.		
Length Example: Length = 95.25" <u>LLLLL</u> = 09525		

## Tool-Less Adjustable Guiding

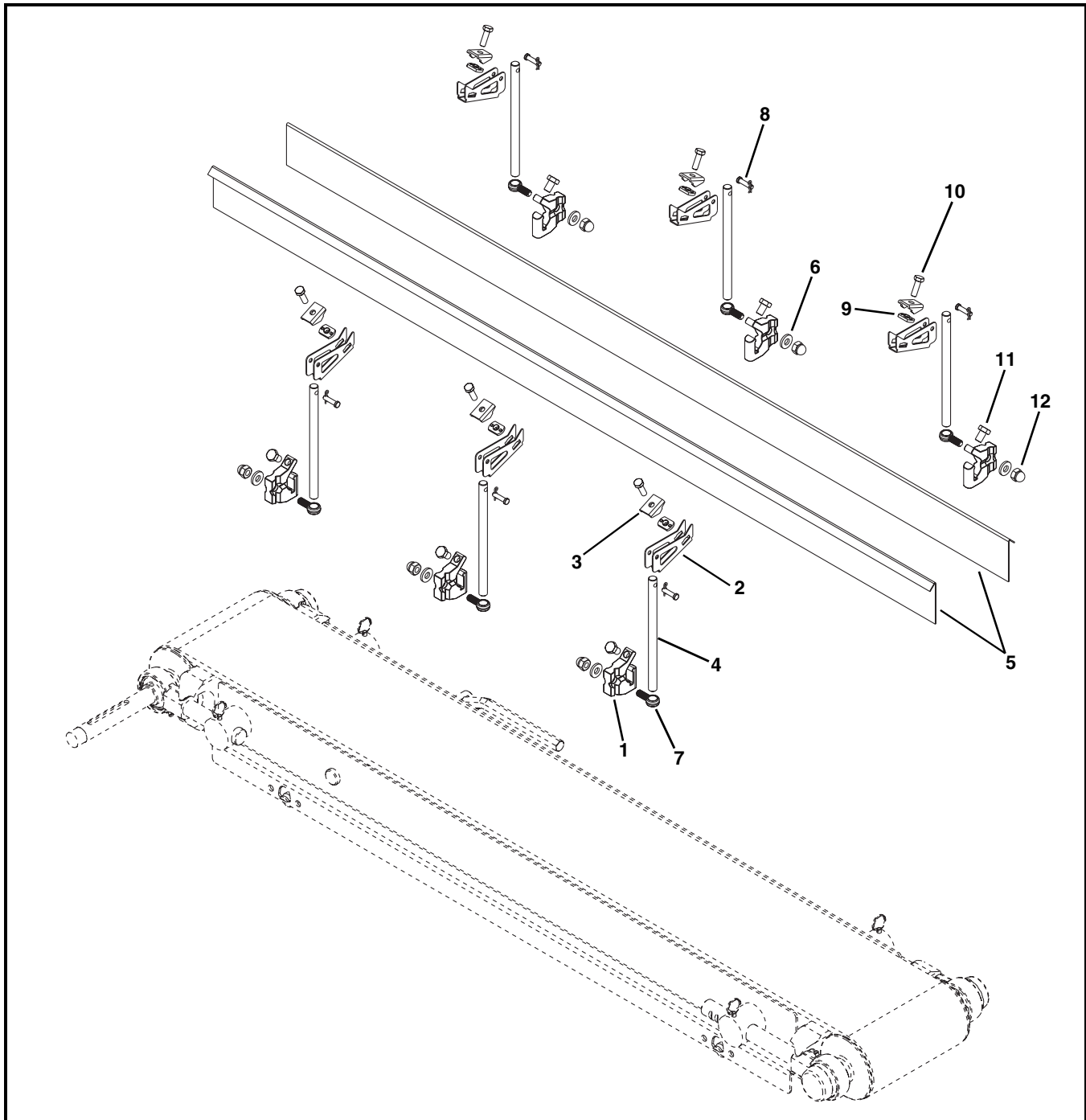


Item	Part Number	Description
1	807-015	Rail Clamp
2	807-1057	Handle
3	807-1821	Washer
4	807-1994	Eye Bolt M10 x 1.50 mm
5	509875	Mounting Bracket
6	509876	Vertical Post Assembly

Item	Part Number	Description
7	532167-LLLLL	Round Guide Rail
8	532300	Guide Post
9	960812MSS	Hex Head Cap Screw, M8 - 1.25 x 12 mm
LLLLL = Length in inches with 2 decimal places.		
Length Example: Length = 95.25" LLLLL = 09525		

# Service Parts

## Hinged Guides

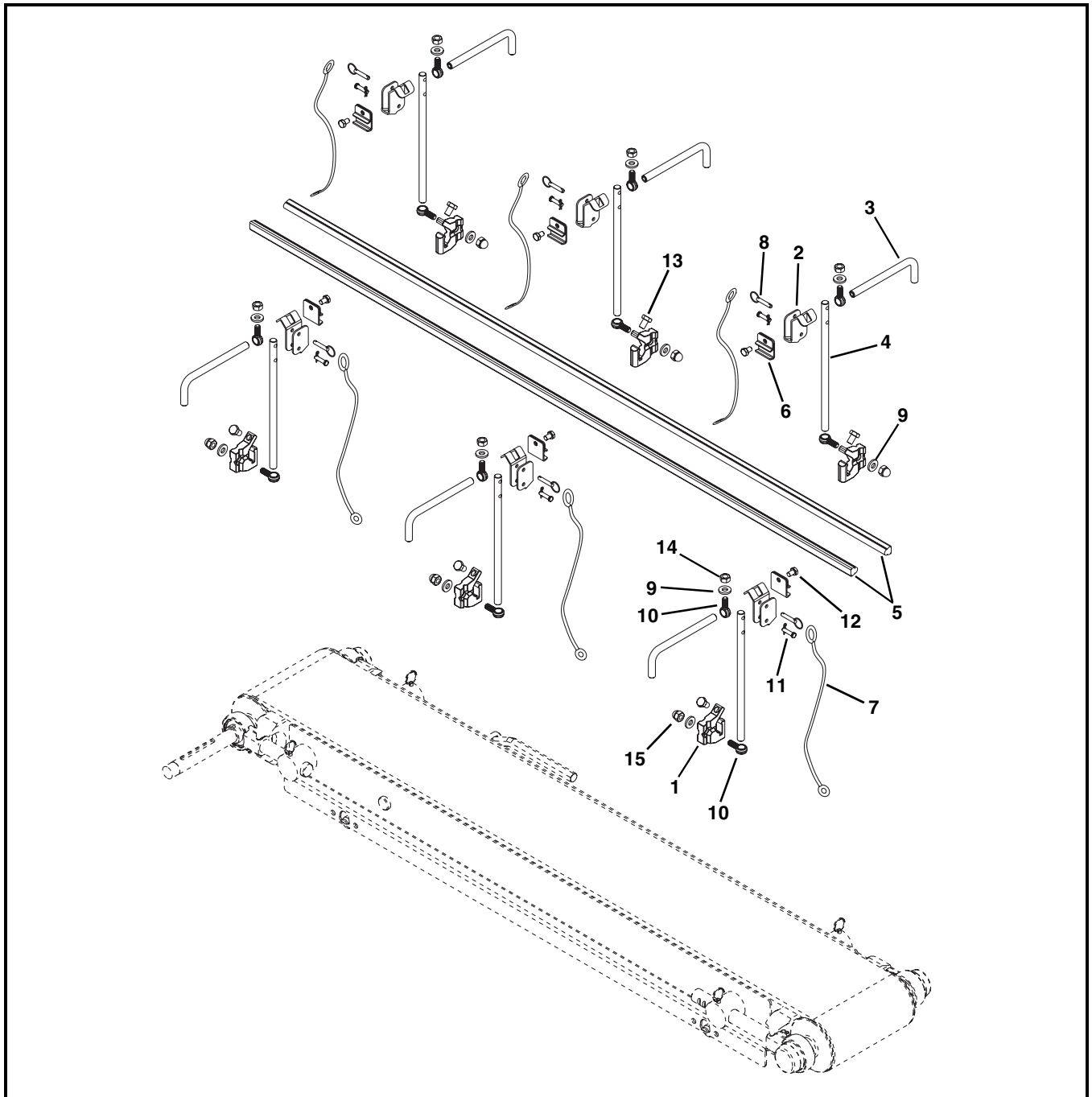


Item	Part Number	Description
1	509868	Mounting Block
2	509870	Pivot Guide Mounting Bracket
3	509871	Guide Clamp Bracket
4	509872-PH-0800	Mounting Guide Shaft for 3" Guides
	509872-PH-1100	Mounting Guide Shaft for 6" Guides
5	532172-LLLLL	Guiding for 3" Guides
	509890-LLLLL	Guiding for 6" Guides
6	807-1821	Washer
7	807-1994	Eyebolt M10 x 1.50 mm

Item	Part Number	Description
8	807-1995	Cotter Pin
9	807-1075SS	Weld Nut, M8 x 1.25 mm
10	960825MSS	Hex Head Cap Screw, M8 - 1.25 x 25 mm
11	961016MSS	Hex Head Cap Screw, M10 - 1.50 x 16 mm
12	991008MSS	Hex Nut, M10 - 1.50 mm
LLLLL = Length in inches with 2 decimal places.		
Length Example: Length = 95.25" LLLLL = 09525		



## Adjustable Hinged Guides

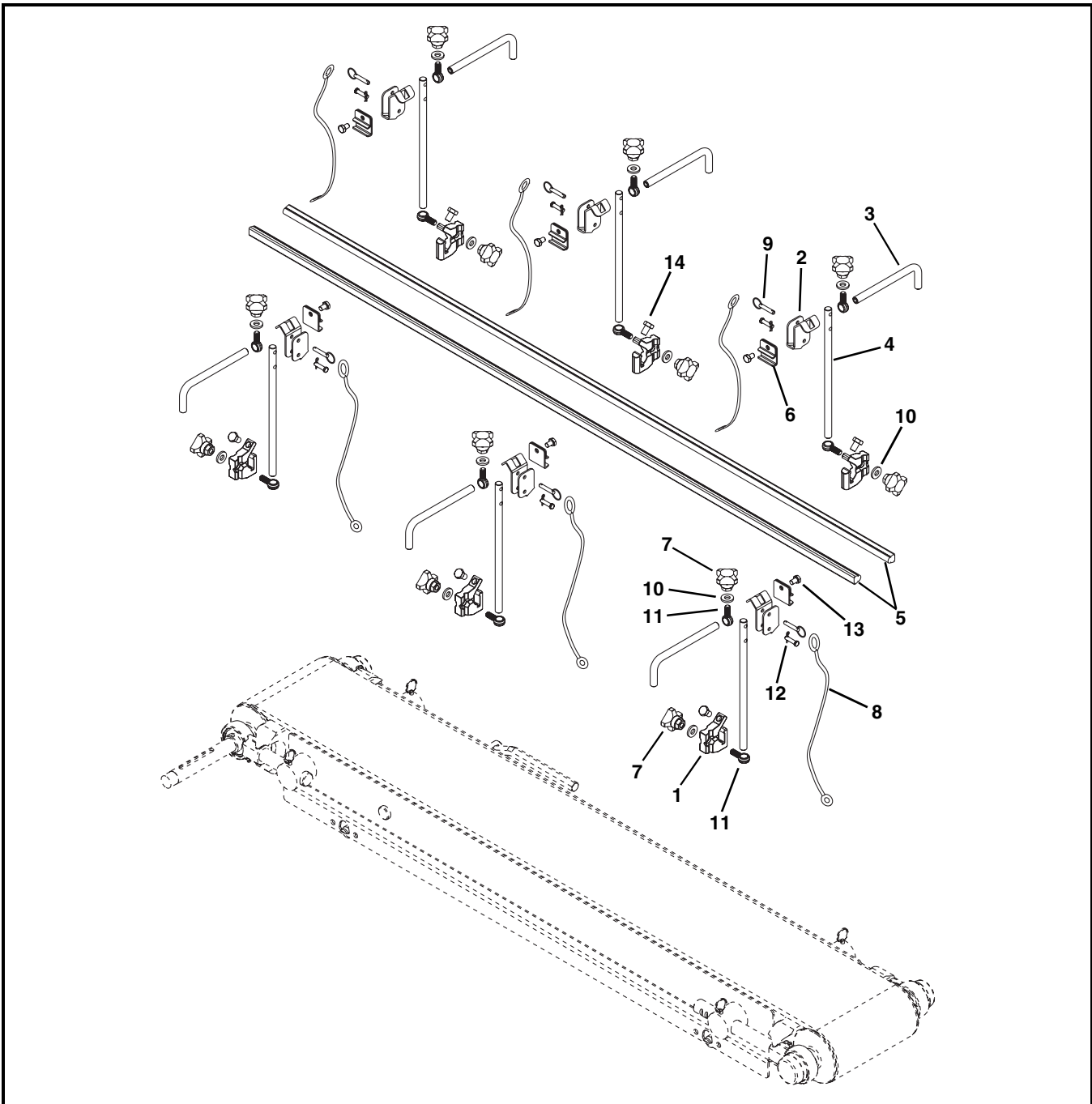


Item	Part Number	Description
1	509868	Mounting Block
2	509883	Pivot Guide Bracket
3	532300	Guide Post
4	509872-DH-1100	Adjustable Guide Shaft
5	532167-LLLLL	Guiding
6	807-015	Clamp Rail
7	807-1448	Lanyard
8	807-1553	Pin
9	807-1821	Washer
10	807-1994	Eyebolt M10 x 1.50

Item	Part Number	Description
11	807-1995	Cotter Pin
12	960812MSS	Hex Head Cap Screw, M8 - 1.25 x 12 mm
13	961016MSS	Hex Head Cap Screw, M10 - 1.50 x 16 mm
14	991001MSS	Hex Nut, M10 - 1.50
15	991008MSS	Hex Nut, M10 - 1.50
LLLLL = Length in inches with 2 decimal places.		
Length Example: Length = 95.25" LLLLL = 09525		

# Service Parts

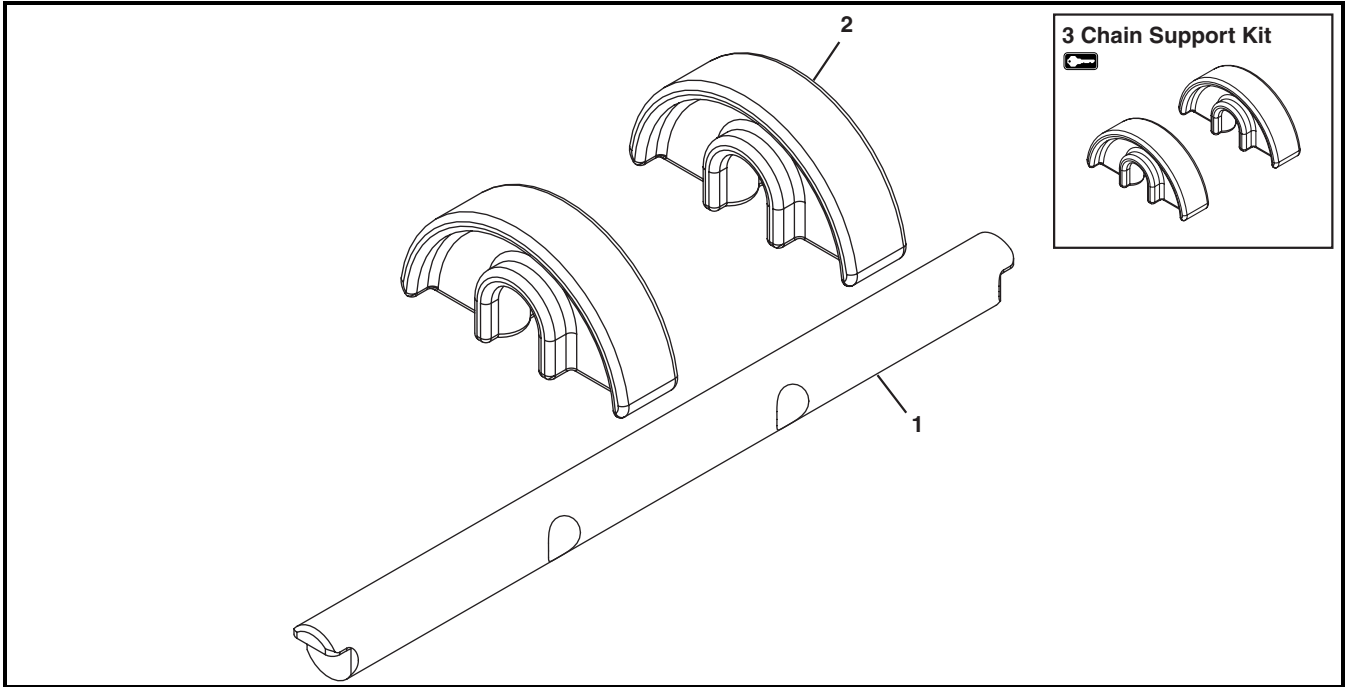
## Tool-Less Adjustable Hinged Guides



Item	Part Number	Description
1	509868	Mounting Block
2	509883	Pivot Guide Bracket
3	532300	Guide Post
4	509872-DH-1100	Adjustable Guide Shaft
5	532167-LLLL	Guiding
6	807-015	Clamp Rail
7	807-1057	Handle
8	807-1448	Lanyard
9	807-1553	Pin

Item	Part Number	Description
10	807-1821	Washer
11	807-1994	Eyebolt M10 x 1.50/
12	807-1995	Cotter Pin
13	960812MSS	Hex Head Cap Screw, M8 - 1.25 x 12 mm
14	961016MSS	Hex Head Cap Screw, M10 - 1.50 x 16 mm
LLLL = Length in inches with 2 decimal places.		
Length Example: Length = 95.25" LLLLL = 09525		

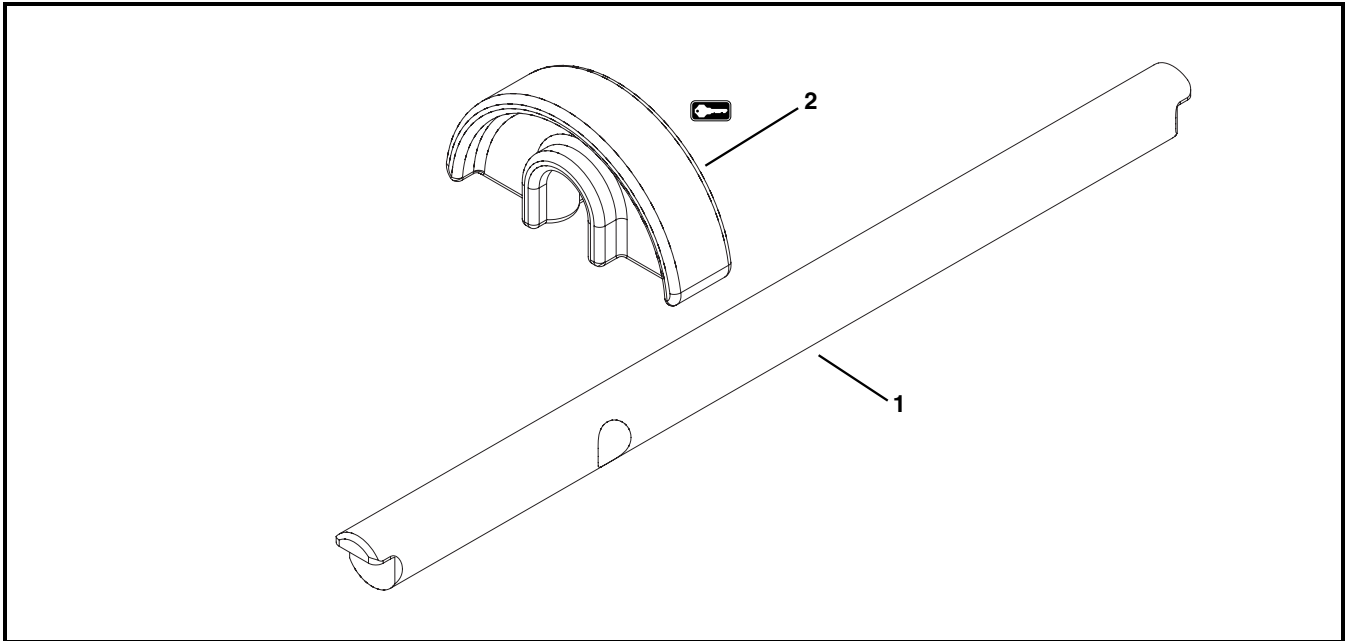
## Straight Belt Return



Item	Part Number	Description
1	5032 $\overline{WW}$	Return Shaft
2	500075	Chain Return Shoe

Item	Part Number	Description
3	74R- $\overline{WW}$	Chain Support Kit ( Includes Item 2)
$\overline{WW}$ = Conveyor width ref: 08 - 36 in 02 increments		

## Curve Belt Return

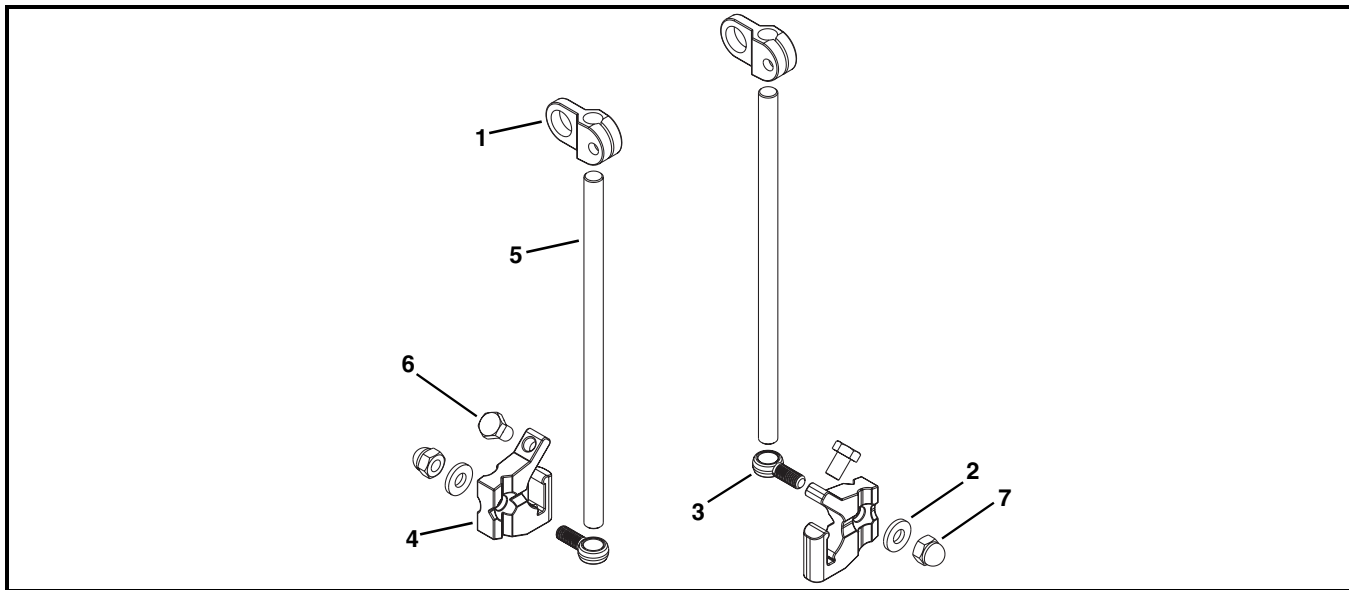


Item	Part Number	Description
1	5033 $\overline{WW}$	Curve Return Shaft

Item	Part Number	Description
2	500075	Chain Return Shoe
$\overline{WW}$ = Conveyor width ref: 08 - 36 in 02 increments		

# Service Parts

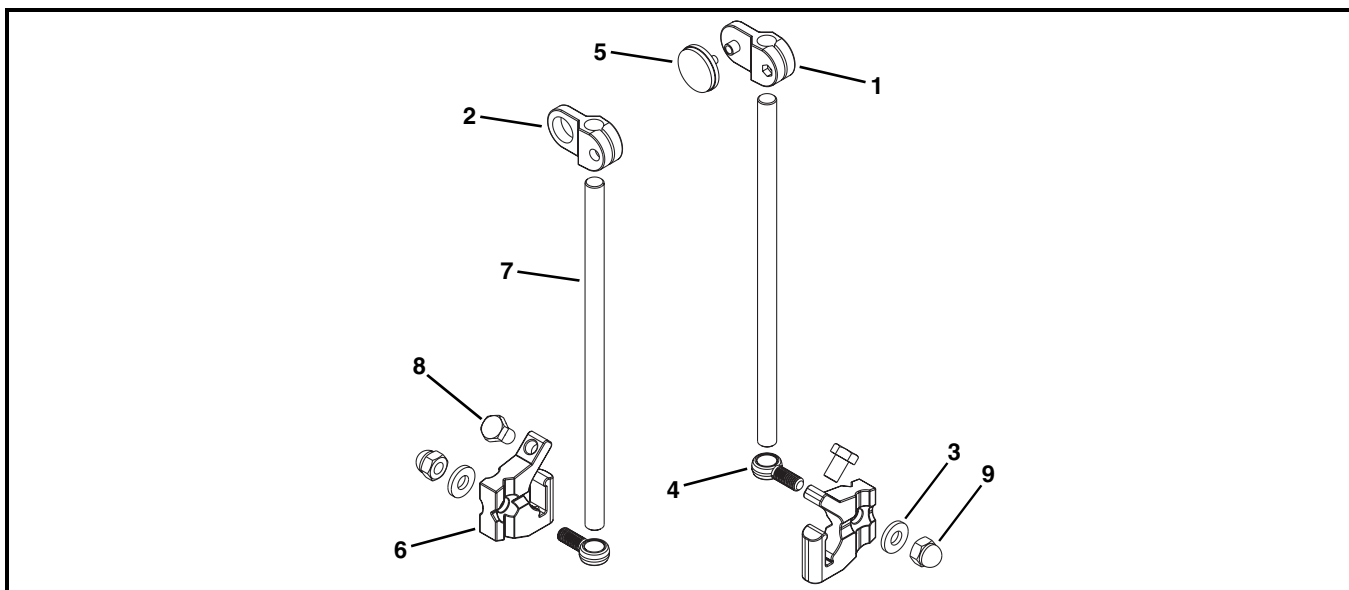
## Opposed (Thru Beam) Photo Eye Mount



Item	Part Number	Description
1	807-1391	Mount Clamp
2	807-1821	Washer
3	807-1994	Eyebolt, M10 x 1.50
4	509868	Mounting Block

Item	Part Number	Description
5	509872-NH-1100	Mounting Shaft
6	961016MSS	Hex Head Cap Screw, M10 - 1.50 x 16 mm
7	991008MSS	Hex Nut, M10 - 1.50

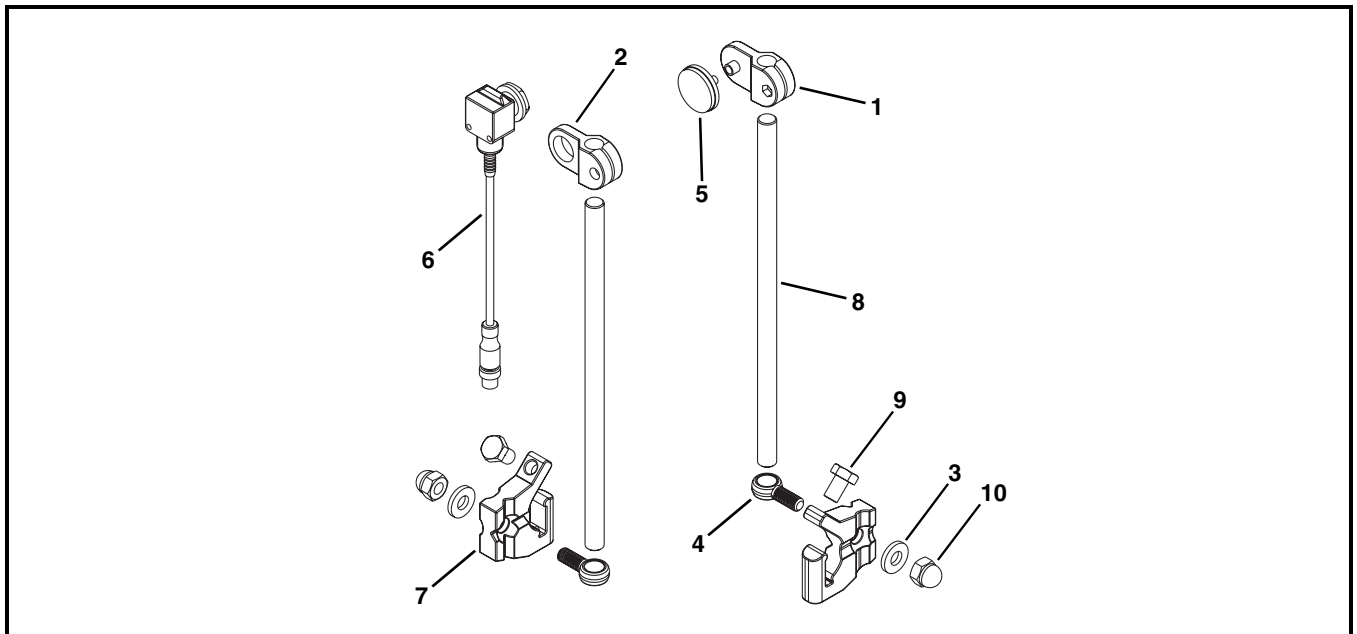
## Reflective Photo Eye Mount



Item	Part Number	Description
1	807-1390	Reflector Mount Clamp
2	807-1391	Photo Eye Mount Clamp
3	807-1821	Washer
4	807-1994	Eyebolt, M10 x 1.50
5	809-289	Reflector
6	509868	Mounting Block

Item	Part Number	Description
7	509872-NH-1100	Mounting Shaft
8	961016MSS	Hex Head Cap Screw, M10 - 1.50 x 16 mm
9	991008MSS	Hex Nut, M10 - 1.50

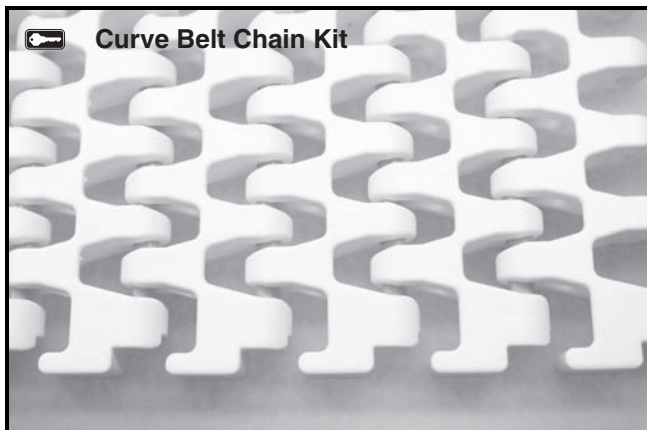
## Reflective Photo Eye Kit



Item	Part Number	Description
1	807-1390	Reflector Mount Clamp
2	807-1391	Photo Eye Mount Clamp
3	807-1821	Washer
4	807-1994	Eyebolt, M10 x 1.50
5	809-289	Reflector
6	809-315	Photo Eye Sensor
7	509868	Mounting Block
8	509872-NH-1100	Mounting Shaft
9	961016MSS	Hex Head Cap Screw, M10 - 1.50 x 16 mm
10	991008MSS	Hex Nut, M10 - 1.50

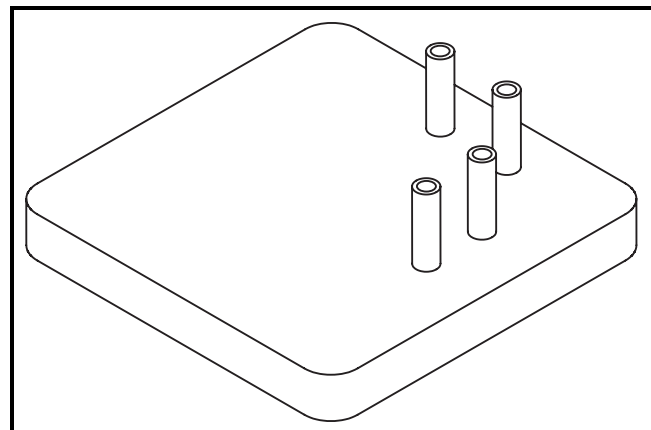
# Service Parts

## Curve Belt Chain Kit



Item	Part Number	Description
1	74 <u>BB</u> - <u>WW</u>	Curve Belt Chain Kit (Includes 1 ft (305 mm) of flat belt chain and assembly pins)
<u>BB</u> = Chain Reference Number		
<u>WW</u> = Conveyor width ref: 08 - 36 in 02 increments		

## Belt Removal Tool



Item	Part Number	Description
1	500581	Tool Rod Removal for 1" Pitch Flush Grid Belt
	500494	Tool Rod Removal for 1/2" Pitch Flush Grid Belt

## Ordering a Replacement Chain

Determine the length of chain required for the conveyor and round up to the nearest foot length. Order the proper number of chain repair kits (1' long each) for your conveyor. Dorner will ship chain kits that are of a reasonable length fully assembled.

### Example:

Overall chain length = 42' 5" (rounded up = 43')

Order: Qty (43) of 74BB-WW

BB = Chain reference number

WW = Conveyor width ref: 08 - 36 in 02 increments



## Configuring a Conveyor Part Number



**Figure 79**

### Curve Conveyor

Refer to your serial and model number plate (**Figure 79**). From the model number, determine conveyor width (**WW**), length (**LLL**), pulley type (**P**), stand location, cleaning options (**C**), stand holes (**S**), guide profile (**G**), belt material (**BB**), degree of turn (**DDD**), drive/pulley type (**D**) and module serialized sequence (**#**).

#### **Straight Infeed / Idler Module** **Example: 74324-12015B1MR1**

Straight Infeed/Idler module, 24" wide, 10' long, ready for Dorner support stands, first stand 12" from pulley end including standard idler pulley, frame cutouts, belt lifters, tip up idler pulley option, lowside profile and MR belt material.

#### **Straight Intermediate Module** **Example: 74524-1807Z1MR3**

Straight Intermediate module, 24" wide, 15' long, ready for Dorner support stands, including frame cutouts, belt lifters, lowside profile and MR belt material.

### Curve Module

#### **Example: 744240901Z1MR4**

Curve module, 24" wide, 90°, ready for Dorner support stands, including frame cutouts and MR belt material.

### Straight Exit / Drive Module

#### **Example: 74M24-04817CMR15**

Straight Exit/Drive module, 24" wide, 4' long, ready for Dorner support stands, last stand mounted 18" from pulley end, and side drive mount in position D, including standard drive pulley, frame cutouts, belt lifters, lowside profile and MR belt material.

# Return Policy

Returns must have prior written factory authorization or they will not be accepted. Items that are returned to Dorner without authorization will not be credited nor returned to the original sender. When calling for authorization, please have the following information ready for the Dorner factory representative or your local distributor:

1. Name and address of customer.
2. Dorner part number(s) of item(s) being returned.
3. Reason for return.
4. Customer's original order number used when ordering the item(s).
5. Dorner or distributor invoice number (if available, part serial number).

A representative will discuss action to be taken on the returned items and provide a Returned Goods Authorization (RMA) number for reference. RMA will automatically close 30 days after being issued. To get credit, items must be new and undamaged. There will be a return charge on all items returned for credit, where Dorner was not at fault. It is the customer's responsibility to prevent damage during return shipping. Damaged or modified items will not be accepted. The customer is responsible for return freight.

Product Type									
Standard Products									Engineered to order parts
Product Line	Conveyors	Gearmotors & Mounting Packages	Support Stands	Accessories	Spare Parts (non-belt)	Spare Belts - Standard Flat Fabric	Spare Belts - Cleated & Specialty Fabric	Spare Belts - Plastic Chain	All equipment and parts
1100	30% return fee for all products except: 50% return fee for conveyors with modular belt, cleated belt or specialty belts						non-returnable		case-by-case
2200									
2200 Modular Belt									
2200 Precision Move									
2300									
2300 Modular Belt									
3200									
3200 LPZ									
3200 Precision Move									
4100									
5200									
5300									
6200									
Controls									
7200 / 7300	50% return fee for all products								
7350	non-returnable								
7360									
7400									
7600									

Returns will not be accepted after 60 days from original invoice date. The return charge covers inspection, cleaning, disassembly, disposal and reissuing of components to inventory. If a replacement is needed prior to evaluation of returned item, a purchase order must be issued. Credit (if any) is issued only after return and evaluation is complete.

Dorner has representatives throughout the world. Contact Dorner for the name of your local representative. Our Customer Service Team will gladly help with your questions on Dorner products.

For a copy of Dorner's Warranty, contact factory, distributor, service center or visit our website at [www.dorner.com](http://www.dorner.com).

For replacement parts, contact an authorized Dorner Service Center or the factory.



Dorner Mfg. Corp. reserves the right to change or discontinue products without notice. All products and services are covered in accordance with our standard warranty. All rights reserved. © Dorner Mfg. Corp. 2013

**DORNER MFG. CORP.**  
 975 Cottonwood Ave., PO Box 20  
 Hartland, WI 53029-0020 USA  
 TEL 1-800-397-8664 (USA)  
 FAX 1-800-369-2440 (USA)  
 Internet: [www.dorner.com](http://www.dorner.com)

Outside the USA:  
 TEL 1-262-367-7600  
 FAX 1-262-367-5827