



7600 Series Center Drive Conveyors

Installation, Maintenance and Parts Manual



DORNER MFG. CORP.
P.O. Box 20 • 975 Cottonwood Ave.
Hartland, WI 53029-0020 USA

INSIDE THE USA
TEL: 1-800-397-8664
FAX: 1-800-369-2440

OUTSIDE THE USA
TEL: 262-367-7600
FAX: 262-367-5827

For other service manuals visit our website at:
www.dorner.com/service_manuals.asp

Table of Contents

Introduction	2	Standard Belts	16
Warnings – General Safety	3	Conveyor Belt Tensioning	17
Product Description	4	Conveyor Belt Tracking	18
Specifications	4	Tracking Procedure	18
Flat Belt 7600 Series Center Drive Conveyor	4	Conveyor Belt Tracking at Tails	18
Conveyor Supports	5	Conveyor Belt Tracking at Center Drive	19
Specifications	5	Spindle Removal	19
Installation	6	A - Center Drive Spindle Removal	20
Required Tools	6	B - Idler Spindle Removal	23
Recommended Installation Sequence	6	C - .5" Nose Bar Idler Spindle Removal	23
Conveyors Longer than 10 ft (3048 mm)	6	D - 1" Nose Bar Idler Spindle Removal	24
Connecting Components	6	E - 1.875" Nose Bar Idler Spindle Removal	25
Wear Strip Installation	7	Reassembling Tail Assemblies	26
Standard Wear Strips	7	Gas Assist Replacement	26
Stainless Steel Sheet Bed Plates (optional)	7	Bearing Replacement	27
Lifter Installation	8	Standard Bearings	27
Belt Installation	8	.5" and 1" Nose Bar Return Spindle Bearings	27
Guide Installation	10	1" Nose Bar Bearings	27
All Conveyors	10	1.875" Nose Bar Bearings	28
Belt Return Installation	10	Center Drive Tension Spindle Bearings	28
Flat Belt	10	Service Parts	30
Scraper Installation	11	Center Drive Assembly Components	30
Stand Installation	12	Idler End Components	31
Drive Package Installation	13	.5" Nose Bar Idler End	32
Preventive Maintenance and Adjustment	14	1" Nose Bar Idler End	34
Required Tools	14	1.875" Nose Bar Idler End	36
Checklist	14	Discharge End	37
Cleaning	14	.5" Nose Bar Discharge End	38
Routine Cleaning	14	1" Nose Bar Discharge End	40
Standard Conveyors	14	1.875" Nose Bar Discharge End	42
Conveyors with Lifters	14	Conveyor Frame and Extensions with	
Periodic Cleaning	15	Standard Wear Strips	43
Lubrication	15	Wear Strips with Stainless Steel Sheet Bed Plate	44
Conveyor Bearings	15	Lifters	45
Wearstrips and Belt Returns	15	Gas Assisted Tip Up	45
Scraper	15	3" High Sides	46
Maintaining the Conveyor Belt	15	Flat Belt Returns	47
Troubleshooting	15	Scraper	47
Conveyor Belt Replacement	16	Configuring Conveyor Belt Part Number	48
Conveyors with Guides	16	Return Policy	50

Introduction

CAUTION

Some illustrations may show guards removed. DO NOT operate equipment without guards.


Upon receipt of shipment:

- Compare shipment with packing slip. Contact factory regarding discrepancies.
- Inspect packages for shipping damage. Contact carrier regarding damage. Accessories may be shipped loose.
- See accessory instructions for installation.

The Dorner Limited Warranty applies.

Dorner 7600 Series conveyors have patents pending.

Dorner reserves the right to make changes at any time without notice or obligation.

Dorner has convenient, pre-configured kits of Key Service Parts for all conveyor products. These time saving kits are easy to order, designed for fast installation, and guarantee you will have what you need when you need it. Key Parts and Kits are marked in the Service Parts section of this manual with the Performance Parts Kits logo .


Warnings – General Safety

⚠ DANGER



SEVERE HAZARD!
KEEP OFF CONVEYORS. Climbing, sitting, walking or riding on conveyor will result in death or serious injury.


⚠ DANGER



EXPLOSION HAZARD!

- **DO NOT OPERATE CONVEYORS IN AN EXPLOSIVE ENVIRONMENT.** The electric gearmotor generates heat and could ignite combustible vapors.
- Failure to comply will result in death or serious injury.

⚠ WARNING



CRUSH HAZARD!

- **DO NOT** place hands or fingers inside the conveyor while it is running.
- **DO NOT** wear loose garments while operating the conveyor. Loose garments can become caught up in the conveyor.
- Failure to comply could result in serious injury.

⚠ WARNING



CRUSH HAZARD!

- **SUPPORT CONVEYOR SECTIONS PRIOR TO LOOSENING STAND HEIGHT OR ANGLE ADJUSTMENT SCREWS.**
- Loosening stand height or angle adjustment screws may cause conveyor sections to drop down, causing serious injury.

⚠ WARNING




SEVERE HAZARD!
LOCK OUT POWER before removing guards or performing maintenance. Exposed moving parts can cause serious injury.

⚠ WARNING




BURN HAZARD!
DO NOT TOUCH the motor while operating, or shortly after being turned off. Motors may be **HOT** and can cause serious burn injuries.

⚠ WARNING



PUNCTURE HAZARD!
Handle drive shaft keyway with care. It may be sharp and could puncture the skin, causing serious injury.

⚠ WARNING



SEVERE HAZARD!

- Dorner cannot control the physical installation and application of conveyors. Taking protective measures is the responsibility of the user.
- When conveyors are used in conjunction with other equipment or as part of a multiple conveyor system, **CHECK FOR POTENTIAL PINCH POINTS** and other mechanical hazards before system start-up.
- Failure to comply could result in serious injury.

Product Description

Refer to **(Figure 1)** for typical conveyor components.

- | | |
|---|------------------------|
| 1 | Conveyor |
| 2 | Gearmotor |
| 3 | Belt (Flat Belt Shown) |
| 4 | Support Stands |
| 5 | Motor Controller |
| 6 | Discharge End |
| 7 | Infeed End |
| 8 | Center Drive Module |

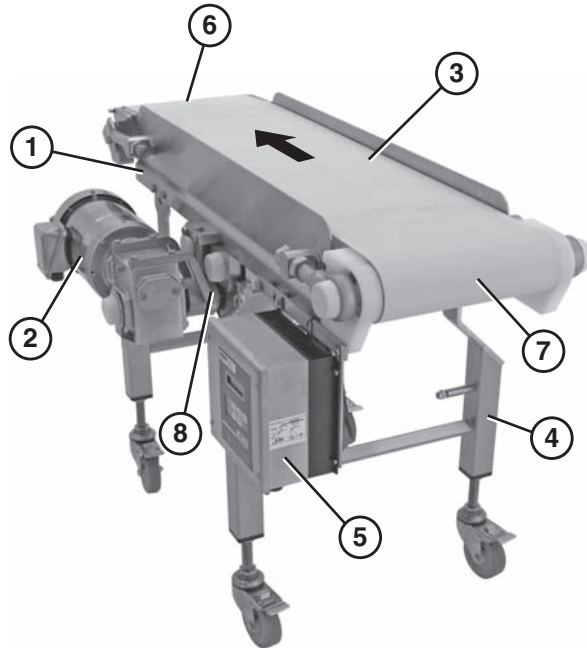
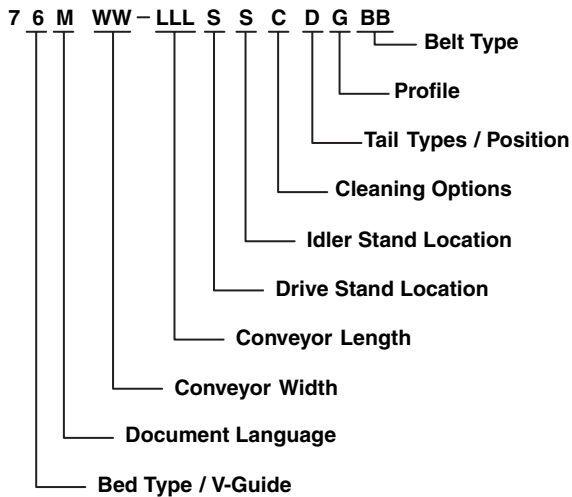


Figure 1

Specifications

Flat Belt 7600 Series Center Drive Conveyor



Conveyor Supports

Maximum Distances:

- 1 = Support Stand on Infeed End = 3 ft (914 mm)
 - 2 = Between Support Stands = 8 ft (2438 mm)**
 - 3 = Support Stand on Discharge End = 3 ft (914 mm)
- ** For conveyors longer than 10 ft (3.05 m), install support at frame joint.

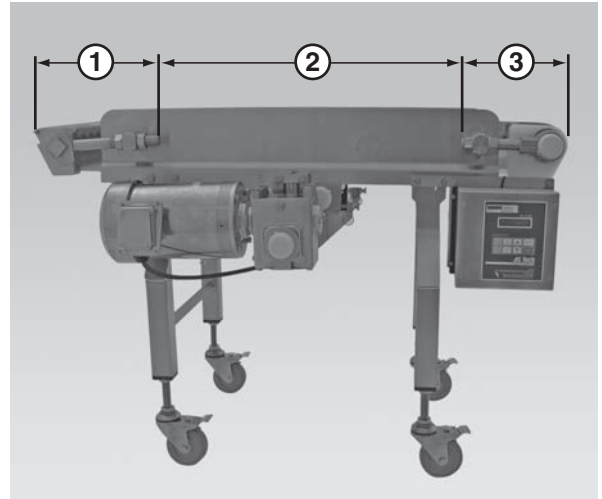


Figure 2

Specifications

Conveyor Width Reference (<u>WW</u>)	06 – 60 in 02 increments
Conveyor Belt Width	6" (152 mm) - 60" (1524 mm) in 2" (51 mm) increments
Maximum Conveyor Load	400 lbs. (181 kg)
Belt Travel	11.25" (286 mm) per revolution of pulley
Maximum Belt Speed	325 ft/minute (100 m/minute)
Belt Take-up	1.5" (38 mm)
Conveyor Length Reference (<u>LLL</u>)	048 - 480 in 001 increments
Conveyor Length	48" (1219 mm) - 480" (12192 mm) in 1" (25 mm) increments

IMPORTANT

Maximum conveyor loads are based on:

- *Non-accumulating product*
- *Product moving toward gearmotor*
- *Conveyor being mounted horizontally*
- *Conveyor being located in a dry environment*
- *Conveyor equipped with standard belt only*

Installation

CAUTION

Dorner recommends cleaning all the “food zones” prior to placing conveyor into service. Ensure adequate access is provided for cleaning and servicing equipment so that the required level of hygiene can be maintained.

CAUTION

Conveyor **MUST** be mounted straight, flat, and level within confines of conveyor. Use a level (Figure 3, item 1) during setup.

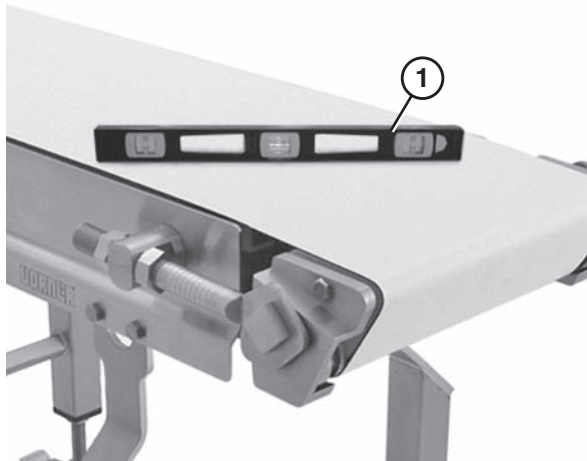


Figure 3

Required Tools

- Level
- Torque wrench

Recommended Installation Sequence

1. Assemble the conveyor (if required). Refer to “All Conveyors” on page 10.
2. Attach the stands. Refer to “Stand Installation” on page 12.
3. Install the gearmotor. Refer to “Drive Package Installation” on page 13.

Conveyors Longer than 10 ft (3048 mm)

Connecting Components

Typical Connection Components (Figure 4)

- | | |
|---|---------------------------------------|
| 1 | M10 x 1.5 mm hex head cap screws (x4) |
| 2 | Connector hex rods (x2) |
| 3 | Conveyor frames |

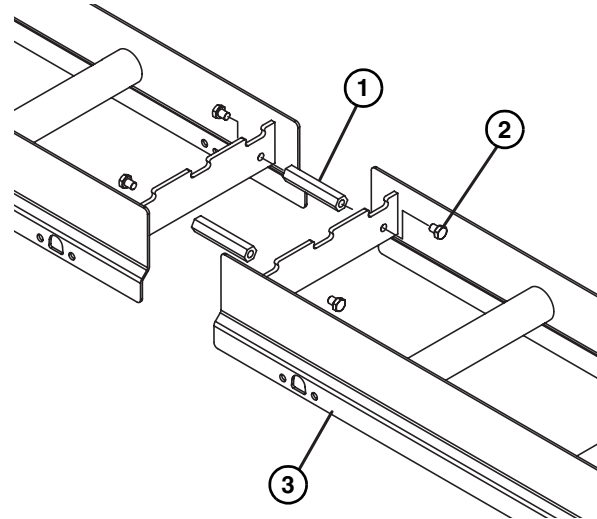


Figure 4

1. Locate the section number sequence etched on each section of frame (Figure 5, item 1).

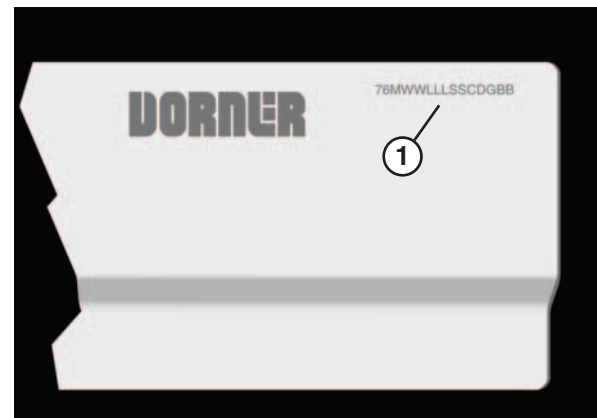


Figure 5

2. Position the frame sections in the correct order.

Installation

3. Connect the frame sections by bolting the hex post connectors (**Figure 6, item 1**) to the sections of frame.

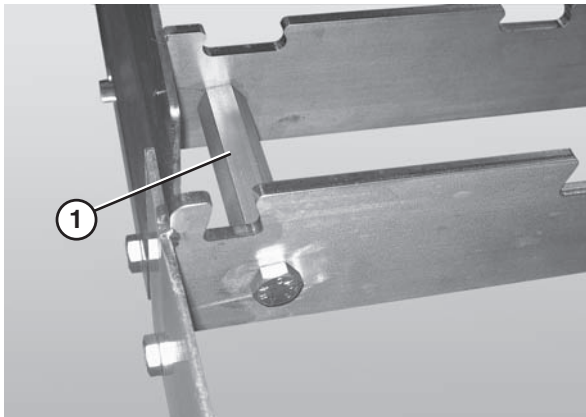


Figure 6

Wear Strip Installation

Standard Wear Strips

Typical Standard Wear Strips (**Figure 7**)

1	Wear Strips
---	-------------

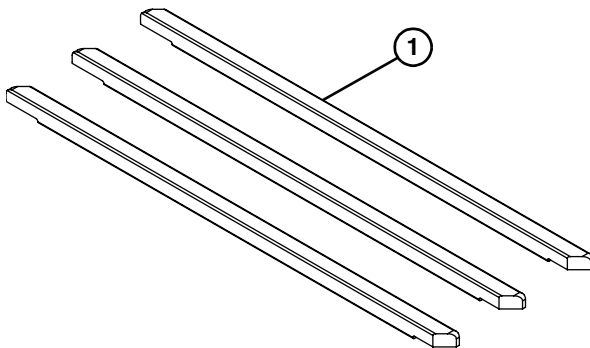


Figure 7

1. Position the wear strips (**Figure 8, item 1**) on the frame.

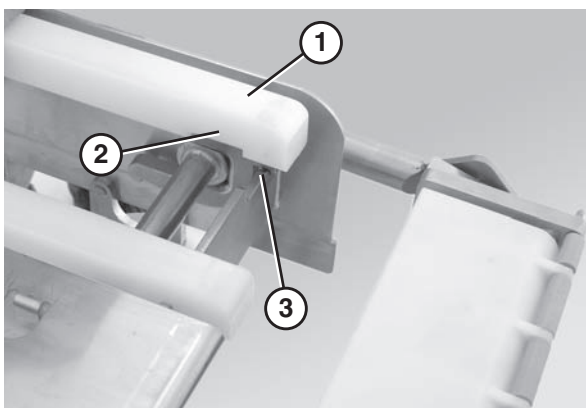


Figure 8

2. Make sure the slots in the wear strips (**Figure 8, item 2**) line up properly with the frame slots (**Figure 8, item 3**).

Stainless Steel Sheet Bed Plates (optional)

Typical Stainless Steel Sheet Bed Plates (**Figure 9**)

1	Bed Plates
2	Wear Strips

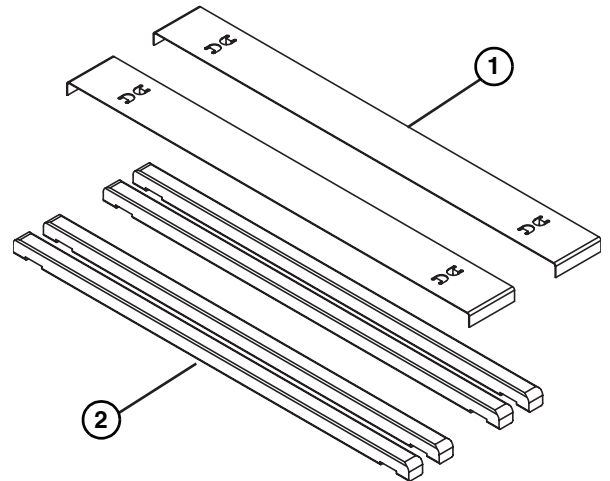


Figure 9

1. Attach the wear strips to the frame. Refer to “Standard Wear Strips” on page 7.
2. Place the sheet bed plates (**Figure 10, item 1**) over the wear strips (**Figure 10, item 2**).

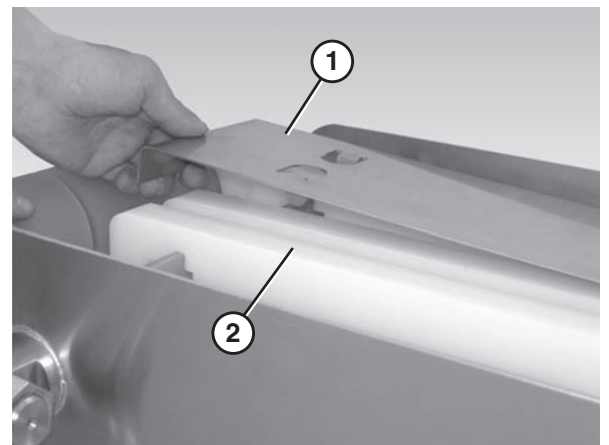


Figure 10

Installation

Lifter Installation

Typical Lifter Components (Figure 11)

1	Belt lift pivot bar
2	Lifter bars
3	Belt lift handle
4	M8 - 1.25 x 16 mm hex head cap screw

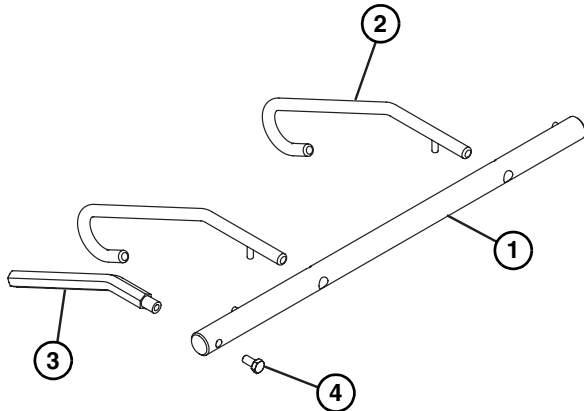


Figure 11

1. Slide the belt lift pivot bar (Figure 12, item 1) through the designated holes in the frame. The pins on the belt lift pivot bar should be located inside the frame side rails.

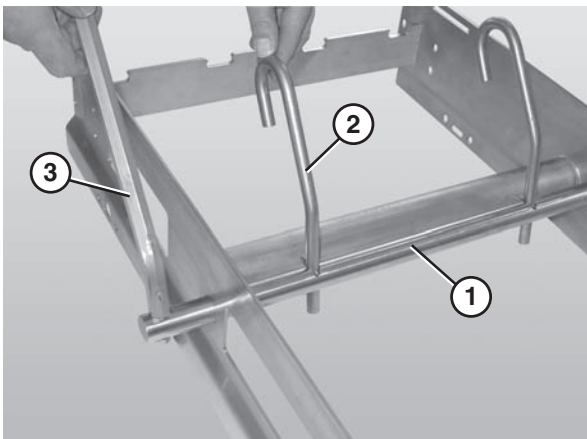


Figure 12

2. Attach the lifter bars (Figure 12, item 2) to the belt lift pivot bar (Figure 12, item 1). Make sure the hooked ends of the lifter bars are facing down when resting against the frame.
3. Attach the lifter handle (Figure 12, item 3) to the belt lift pivot rod.

Belt Installation

Typical Standard Belt (Figure 13)

1	Belt
---	------

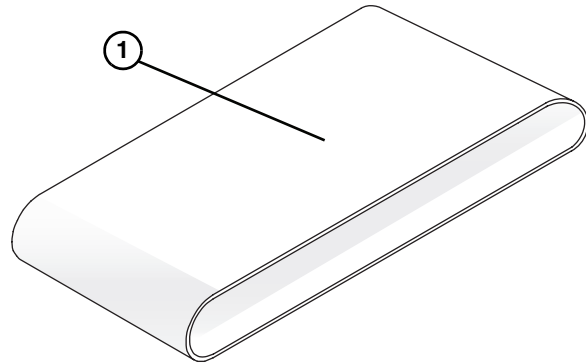


Figure 13

1. Place the idler tail (Figure 14, item 1) in the up position.

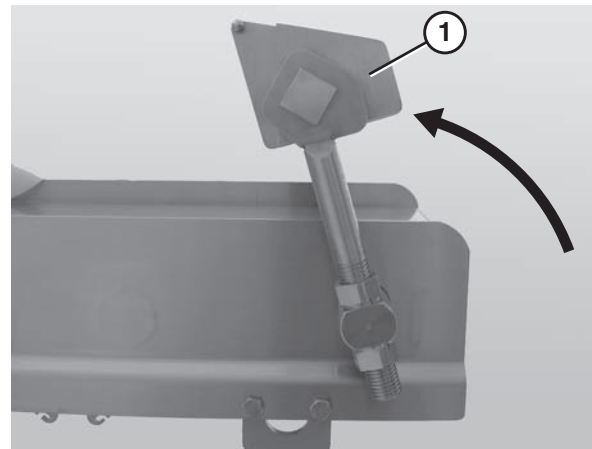


Figure 14

2. Remove the 2 pull pins (Figure 15, item 1) from the center drive side plate (Figure 15, item 2).

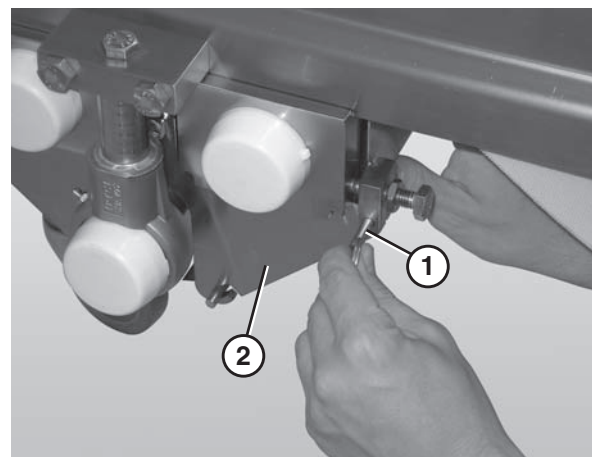


Figure 15

- Lift up on the center drive guard (**Figure 16, item 1**) and remove it.

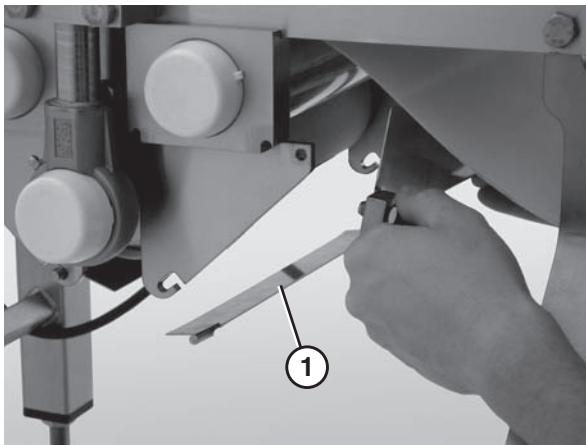


Figure 16

- Slide the tension spindle assembly (**Figure 17, item 1**) out of the housing.

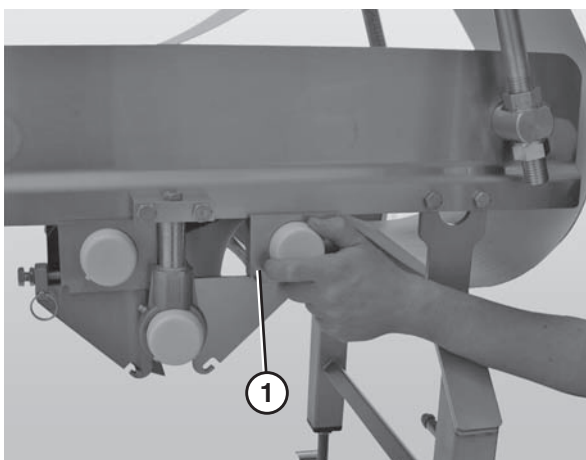



Figure 17

- Repeat steps 2 - 4 on the other side of the drive assembly.

 WARNING

<p style="text-align: center;">SEVERE HAZARD!</p> <ul style="list-style-type: none"> • ONLY DISCONNECT ONE PIVOT BRACKET AT A TIME AND ONLY IF THE STANDS ARE BOLTED TO THE FLOOR. • Disconnecting more than one pivot bracket at a time or not bolting the stands to the floor can cause the conveyor to tip and may result in serious injury.

- Lower the quick release arm (**Figure 18, item 1**) on one of the stands. *Note: if the conveyor is not equipped with Quick Release (QR Type) stands, it will be necessary to remove the entire stand. For detailed instructions, refer to the “Sanitary Support Stands Installation, Maintenance and Parts Manual.”*

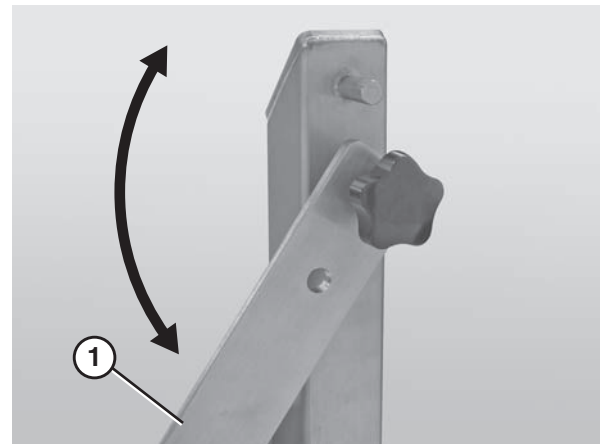


Figure 18

- Slide the belt (**Figure 19, item 1**) on over the conveyor frame (**Figure 19, item 2**).

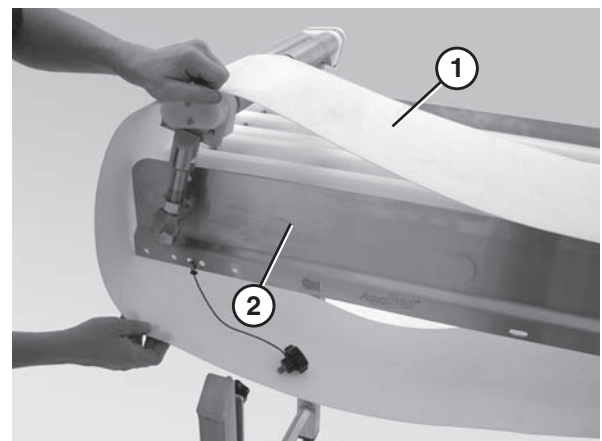


Figure 19

- Secure the quick release arm on the stand and repeat steps 6 and 7 until the belt is around the entire length of the conveyor.
- Slide the tension spindle assemblies (**Figure 17, item 1**) back into the housing.
- Reattach the center drive guards (**Figure 16, item 1**).
- Insert the pull pins (**Figure 15, item 1**).
- Add tension to the belt by lowering the tip-up tail or by sliding the idler tail out and tightening the nuts. Refer to “Conveyor Belt Tensioning” on page 17.
- Adjust the belt tracking as necessary. Refer to “Conveyor Belt Tracking” on page 18.

Installation

Guide Installation

Typical Guide Components (Figure 20)

1	Guide
2	Pull pin

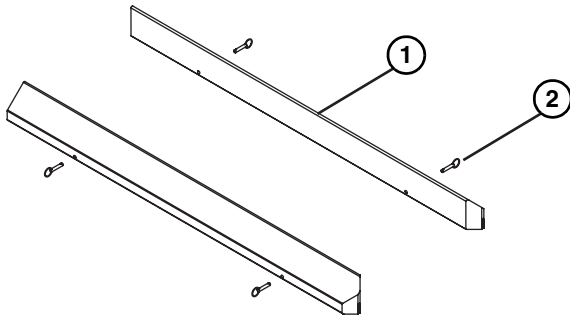


Figure 20

1. Position the guide (Figure 21, item 1) so that the flat surface is facing the belt and then slide the guide onto the frame rail (Figure 21, item 2).

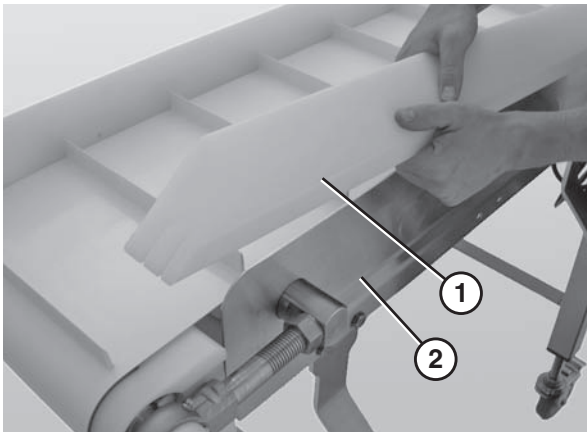


Figure 21

2. Line up the guide holes with the holes in the frame.
3. Insert the pull pins (Figure 22, item 1) into the holes in the guide (Figure 22, item 2).

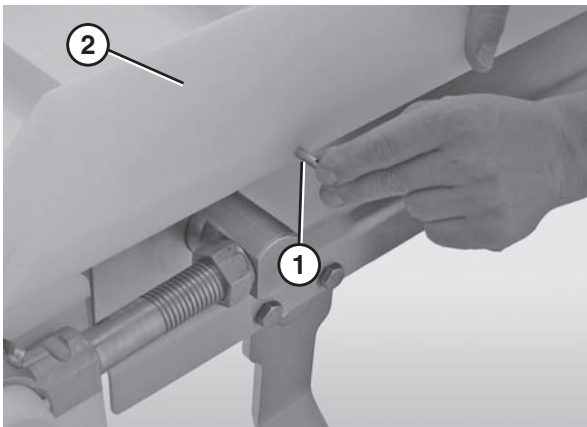


Figure 22

All Conveyors

Belt Return Installation

Flat Belt

Typical Flat Belt Components (Figure 23)

1	Flat belt returns
---	-------------------

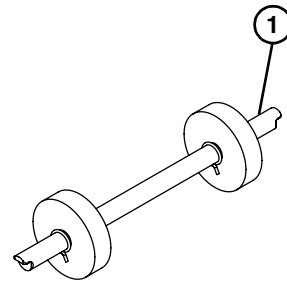


Figure 23

1. Slide the return shaft (Figure 24, item 1) up and through the large slot (Figure 24, item 2) in the frame.

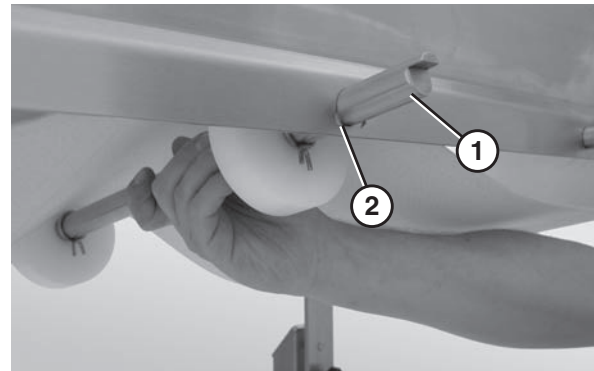


Figure 24

2. Push up on the return shaft (Figure 25, item 1) and slide the notched end of the shaft through the small slot (Figure 25, item 2) on the opposite side of the frame.

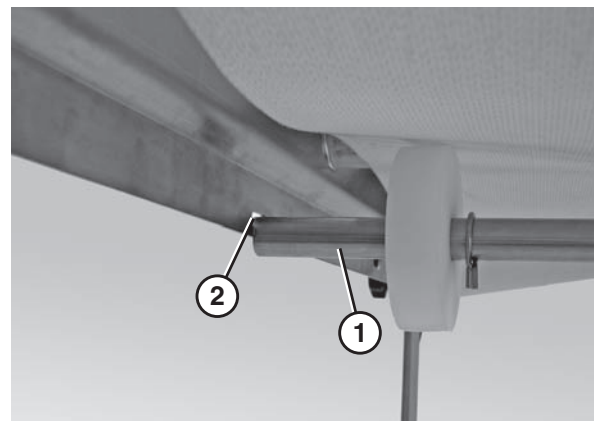


Figure 25

3. Repeat the procedure for all other belt returns.

Scraper Installation

Typical Scraper Components (Figure 26)

1	Scraper adjust plate
2	Scraper shaft
3	Scraper bar holder
4	UHMW scraper
5	Scraper mount plate
6	Pull pin
7	Handle
8	M10-1.50 hex head cap screws (x4)

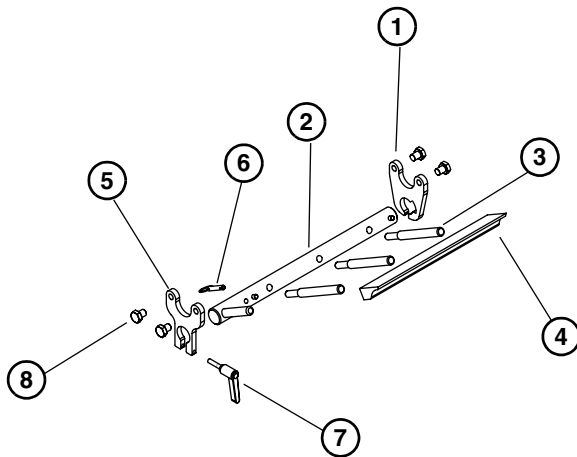


Figure 26

1. Attach the scraper adjust plate (Figure 26, item 1) and the scraper mount plate (Figure 26, item 5) to the frame using four M10-1.5 x 12mm hex head cap screws.
2. Slide the notched end of the scraper shaft (Figure 27, item 1) through the adjustment plate (Figure 27, item 2).

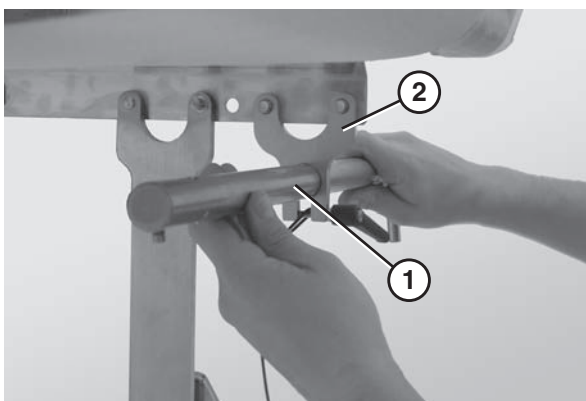


Figure 27

3. Insert the notched end of the scraper shaft (Figure 28, item 1) so that it is situated within the groove in the mounting plate (Figure 28, item 2).

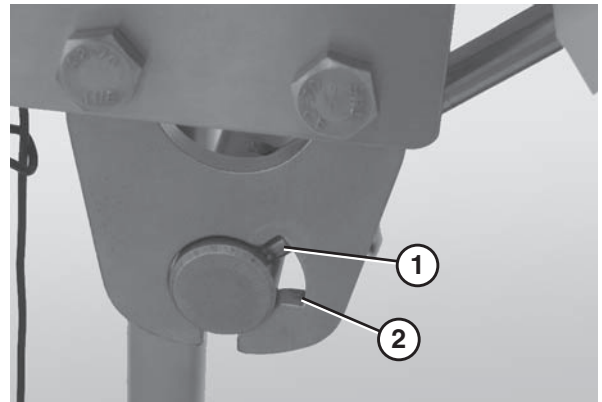


Figure 28

4. Attach the scraper bar holders (Figure 29, item 1) to the scraper shaft (Figure 29, item 2).

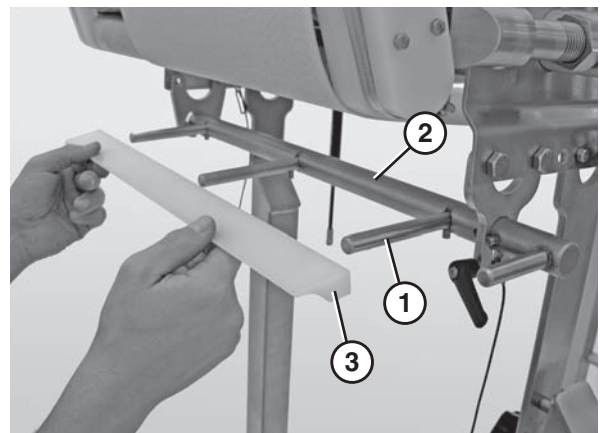


Figure 29

5. Attach the UWHM scraper (Figure 29, item 3) to the scraper bar holders (Figure 29, item 1).
6. Insert the pin (Figure 30, item 1) to lock the scraper bar in place (Figure 30, item 2).

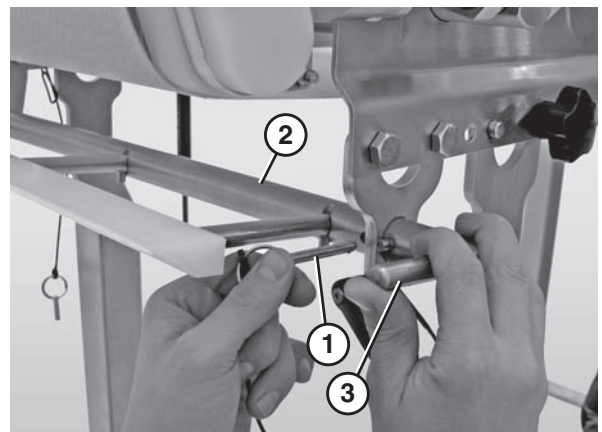


Figure 30

Installation

- Adjust the scraper to the desired position using the scraper bar handle (Figure 30, item 3).

CAUTION

Apply minimal pressure between the scraper (Figure 31, item 1) and the belt (Figure 31, item 2). Positioning the scraper so that it is digging into the belt will increase resistance, cause unnecessary strain on the motor and lead to premature belt failure.

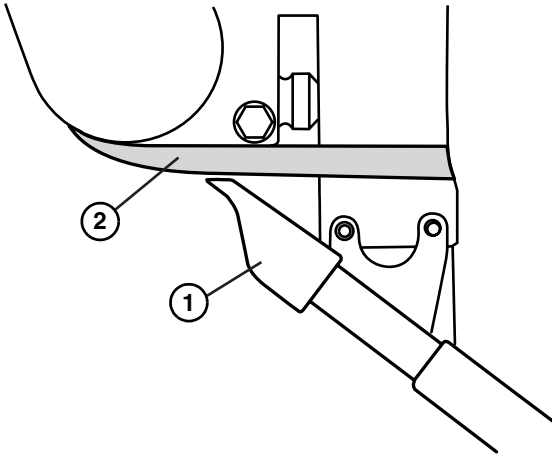


Figure 31

- Secure the scraper by tightening the handle (Figure 32, item 1).

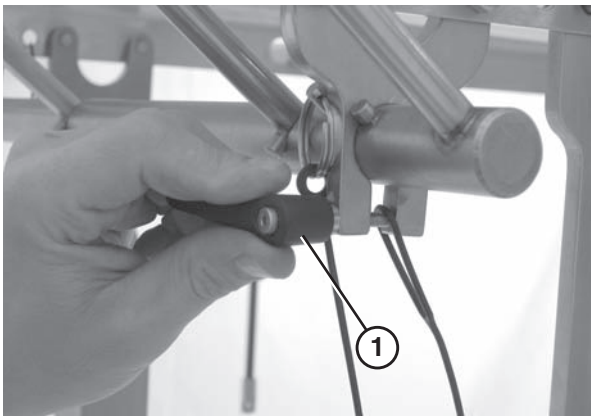


Figure 32

Stand Installation

Typical Stand Components (Figure 33)

1	Conveyor
2	Stand
3	Knob
4	M10-1.50 x 12 mm hex head cap screws (x2)

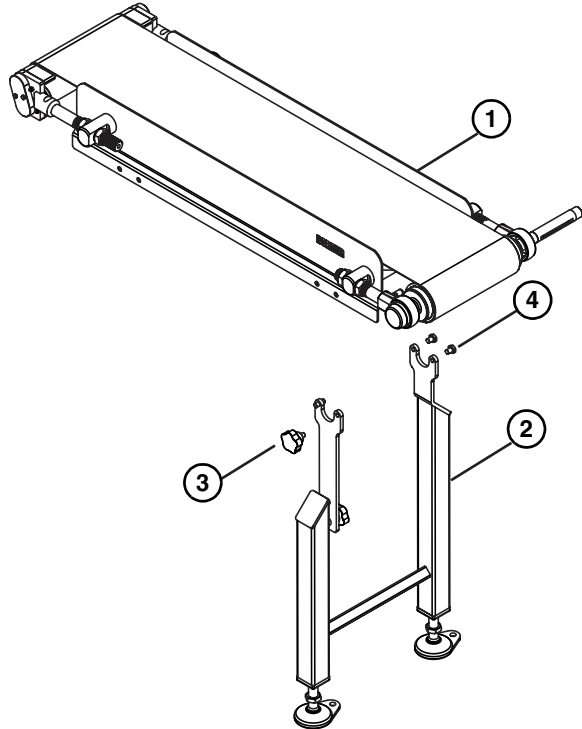


Figure 33

- Properly support the conveyor.
- Attach the non-quick release side of the stand (Figure 34, item 1) to the MOTOR SIDE of the conveyor (Figure 34, item 2) using two M10-1.5 x 12mm hex head cap screws (Figure 34, item 3).

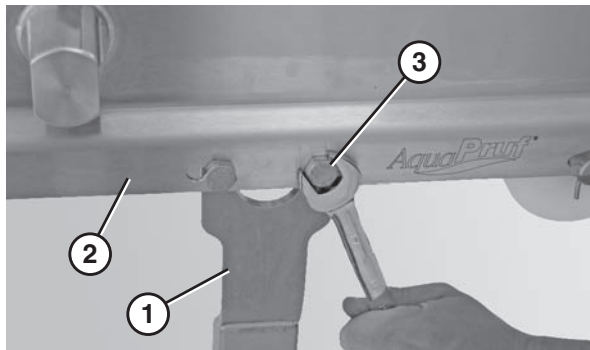


Figure 34

- Attach the quick-release arm to the stand with the knob. (Figure 33, item 3).

For detailed assembly instructions, refer to the “Sanitary Support Stands Installation, Maintenance and Parts Manual.”

Drive Package Installation

Typical Motor Components (Figure 35)

1	End drive package
2	Motor

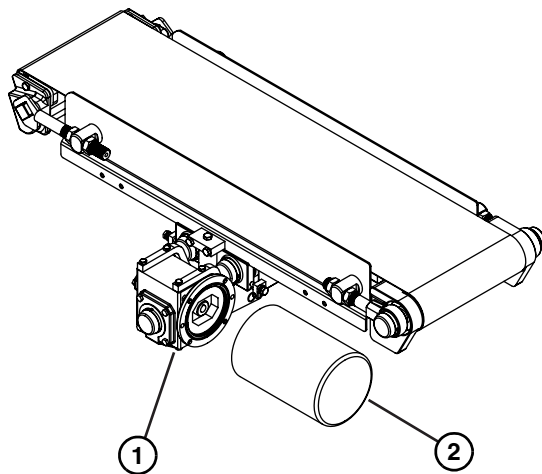


Figure 35

1. Attach the motor (**Figure 36, item 1**) to the gear reducer (**Figure 36, item 2**).

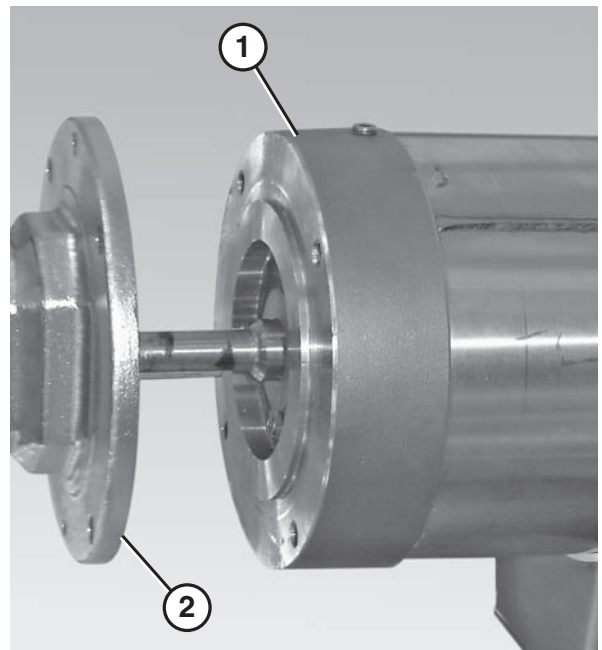


Figure 36

For detailed assembly instructions, refer to the “7600 Series Center Drive Packages Installation, Maintenance and Parts Manual.”

Preventive Maintenance and Adjustment

Required Tools

- 8 mm wrench (or adjustable wrench)
- 10 mm wrench
- 17 mm wrench
- 14 mm wrench
- 4 mm or 5/32 in. hex wrench (for bearing shaft assembly fasteners)
- 3 mm hex wrench

Checklist

- Keep service parts on hand. Refer to the "Service Parts" section starting on page 30 for recommendations.
- Replace any worn or damaged parts.

Cleaning

NOTE

Proper conveyor application, cleaning, and sanitation are the responsibility of the end user.

CAUTION

Dorner recommends cleaning all the "food zones" prior to placing conveyor into service. Ensure adequate access is provided for cleaning and servicing equipment so that the required level of hygiene can be maintained.

Routine Cleaning

WARNING



SEVERE HAZARD!

LOCK OUT POWER before removing guards or performing maintenance. Exposed moving parts can cause serious injury.

Dorner recommends cleaning the inside and the outside of the conveyor on a daily basis. Refer to the following steps to access the inside of the conveyor.

Standard Conveyors

1. Remove the guides, if applicable, by removing the pull pins (**Figure 37, item 1**) that connect the guide (**Figure 37, item 2**) to the frame.

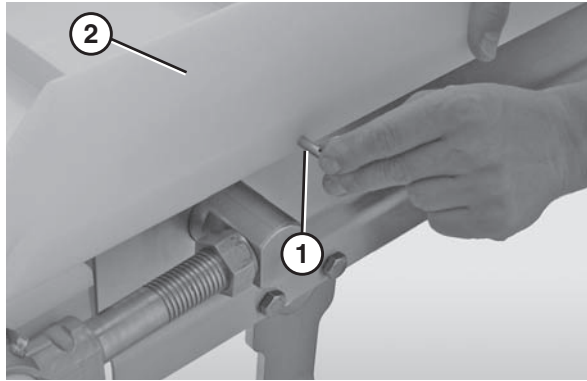


Figure 37

2. Place the tip up tail (**Figure 38, item 1**) in the up position.

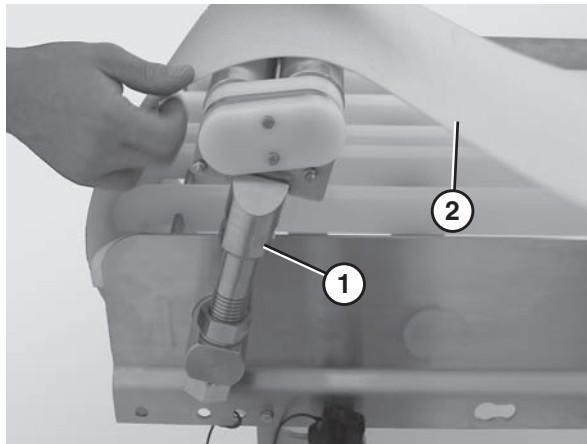


Figure 38

3. Lift up on the belt (**Figure 38, item 2**).

Preventive Maintenance and Adjustment

Conveyors with Lifters

1. Remove the guides, if applicable, by removing the pull pins (**Figure 37, item 1**) that connect the guide (**Figure 37, item 2**) to the frame.
2. Place the tip up tail in the up position.
3. Use the lifter handle (**Figure 39, item 1**) to raise the belt (**Figure 39, item 2**).

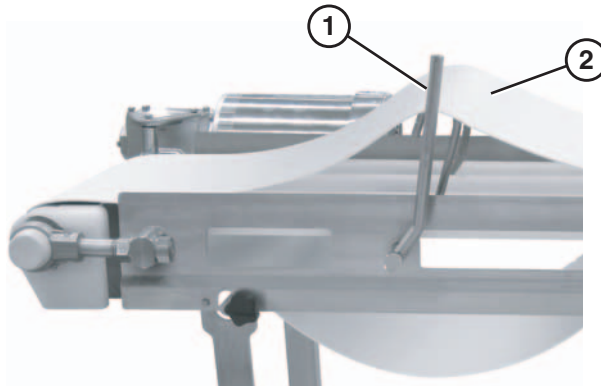


Figure 39

CAUTION

DO NOT submerge or soak bearing assemblies. This will reduce the life of the bearing.

Periodic Cleaning

Dorner recommends complete disassembly of the conveyor periodically for thorough cleaning.

For conveyor disassembly and reassembly instructions:

- Refer to “Conveyor Belt Replacement” on page 16.
- Refer to “Spindle Removal” on page 19.

Lubrication

Conveyor Bearings

Conveyor bearing lubrication is required. Dorner recommends using an H-1 food grade grease.

NOTE

Although bearings are sealed, re-greasing is recommended to increase bearing life. An H-1 food grade grease is recommended. The frequency of bearing re-greasing is dependent upon the application in which the conveyor is being used. Frequency of re-greasing will increase with the frequency of conveyor washing.

1. Add grease to the bearing using the zerk fitting (**Figure 40, item 1**) on the exterior of the bearing shaft assembly.

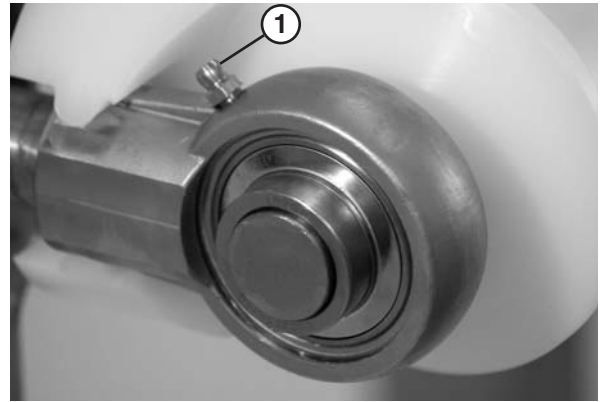


Figure 40

2. Replace the bearings if they become worn.

Wearstrips and Belt Returns

Replace the wearstrips and belt returns if they become worn.

For wearstrip and belt return installation instructions:

- Refer to “Wear Strip Installation” on page 7.
- Refer to “Belt Return Installation” on page 10.

Scraper

Replace the UHMW scraper if it becomes worn.

Refer to “Scraper Installation” on page 11 for scraper installation instructions.

Maintaining the Conveyor Belt

Troubleshooting

NOTE

Visit www.dorner.com for complete list of troubleshooting solutions.

Inspect conveyor belt for:

- Surface cuts or wear

Damage to the belt, surface cuts and / or wear indicate:

- Sharp or heavy parts impacting belt
- Jammed parts
- Accumulated dirt
- Foreign material inside the conveyor
- Improperly positioned accessories
- Excessive load on belt
- Dirt impacted on spindle
- Excessive or improper side loading
- Improper tracking

Skipping indicates:

- Excessive load on belt
- Worn spindle or impacted dirt on drive spindle
- Improper tracking

Preventive Maintenance and Adjustment

Conveyor Belt Replacement

 WARNING

SEVERE HAZARD! LOCK OUT POWER before removing guards or performing maintenance. Exposed moving parts can cause serious injury.

Conveyors with Guides

1. Remove the pull pins (Figure 41, item 1) that connect the guide (Figure 41, item 2) to the frame.

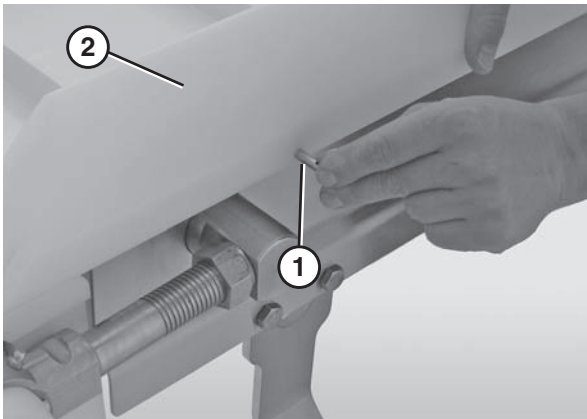


Figure 41

2. Remove the guide (Figure 42, item 1) from the conveyor (Figure 42, item 2).

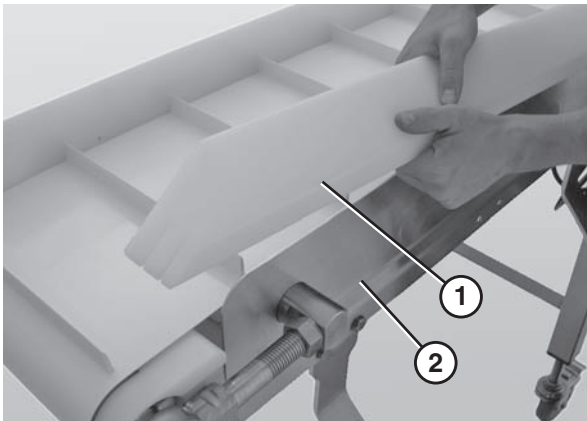


Figure 42

Standard Belts

1. Place the idler tail (Figure 43, item 1) in the up position.

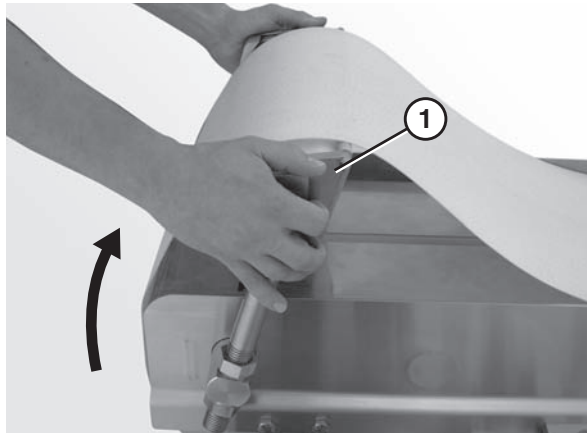


Figure 43

2. Remove the pull pins (Figure 44, item 1) from the center drive side plate (Figure 44, item 2).

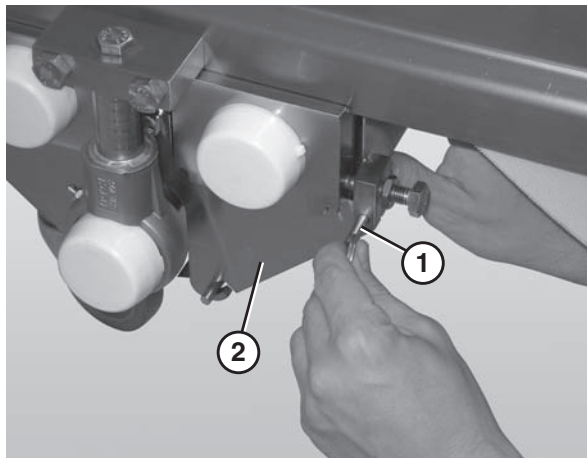


Figure 44

3. Lift up on the center drive guard (Figure 45, item 1) and remove it.

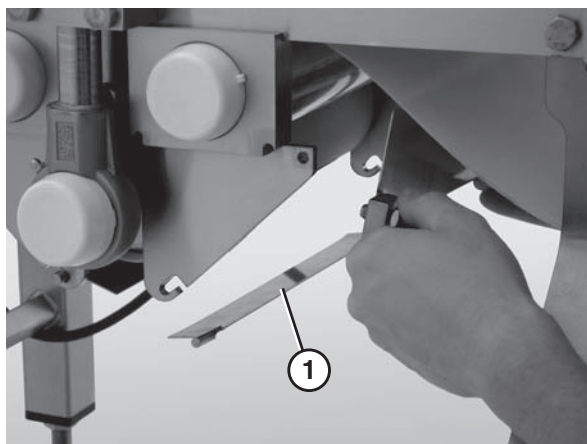


Figure 45

Preventive Maintenance and Adjustment

- Slide the tension spindle assembly (Figure 46, item 1) out of the housing.

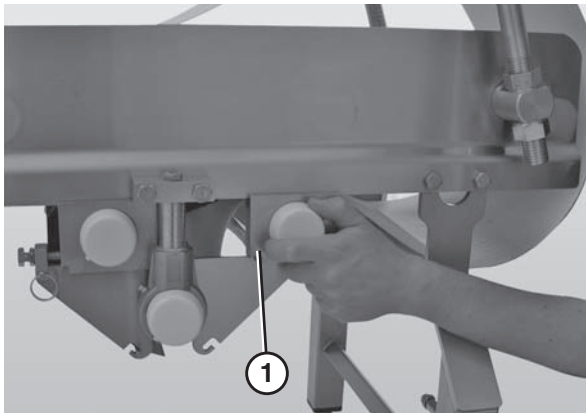


Figure 46

- Repeat steps 2 - 4 on the other side of the drive assembly.

 WARNING

<p style="text-align: center;">SEVERE HAZARD!</p> <ul style="list-style-type: none"> • ONLY DISCONNECT ONE PIVOT BRACKET AT A TIME AND ONLY IF THE STANDS ARE BOLTED TO THE FLOOR. • Disconnecting more than one pivot bracket at a time or not bolting the stands to the floor can cause the conveyor to tip and may result in serious injury.

- Lower the quick release arm (Figure 47, item 1) on one of the stands. *Note: if the conveyor is not equipped with Quick Release (QR Type) stands, it will be necessary to remove the entire stand.* For detailed instructions, refer to the “Sanitary Support Stands Installation, Maintenance and Parts Manual.”

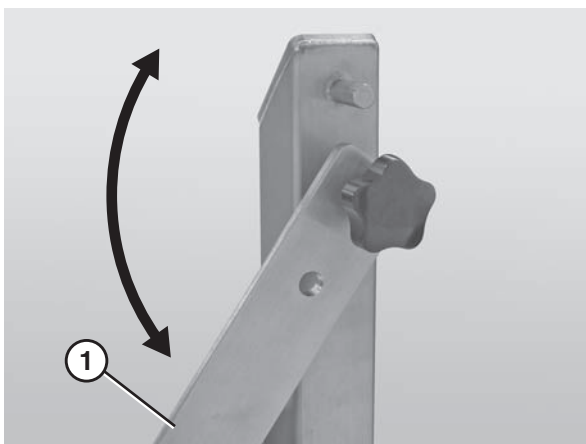


Figure 47

- Slide the old belt (Figure 48, item 1) off the conveyor frame (Figure 48, item 2).

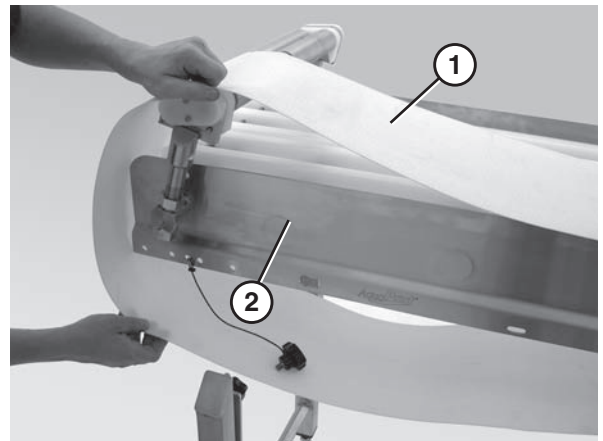


Figure 48

- Secure the quick release arm on the stand and repeat steps 6 and 7 until the entire belt is off the conveyor.
- Replace the old belt with a new one. Refer to “Belt Installation” on page 8.

Conveyor Belt Tensioning

 WARNING

<p style="text-align: center;">SEVERE HAZARD!</p> <p>LOCK OUT POWER before removing guards or performing maintenance. Exposed moving parts can cause serious injury.</p>
 CAUTION
<p>Over-tensioning of conveyor may stretch conveyor belt and reduce bearing life.</p>

Preventive Maintenance and Adjustment

1. Loosen the back nuts (**Figure 49, item 1**) on both sides of the idler tail shaft.

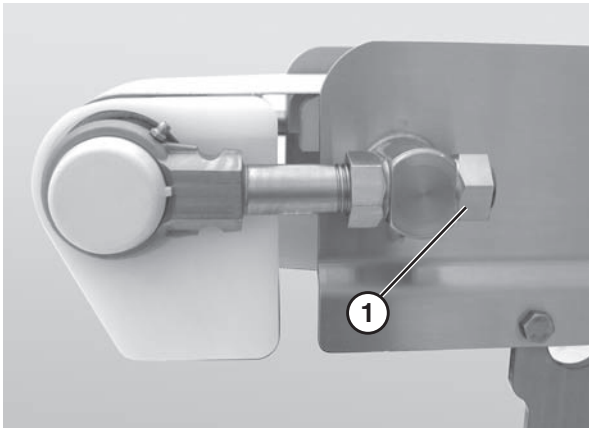


Figure 49

2. Turn the front nuts closest to the tail (**Figure 50, item 1**) clockwise in order to increase tension on the belt.

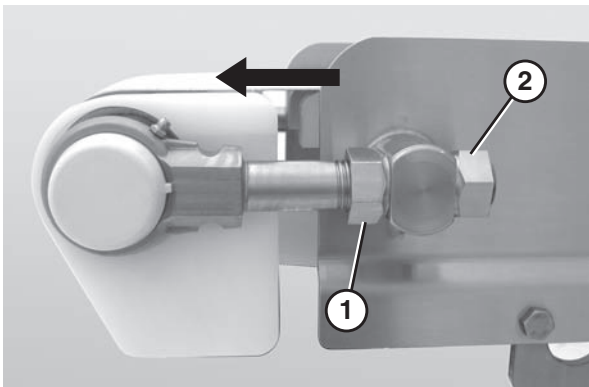


Figure 50

⚠ CAUTION
Ensure that there is at least 6" (152 mm) from the frame to the end of the tail.

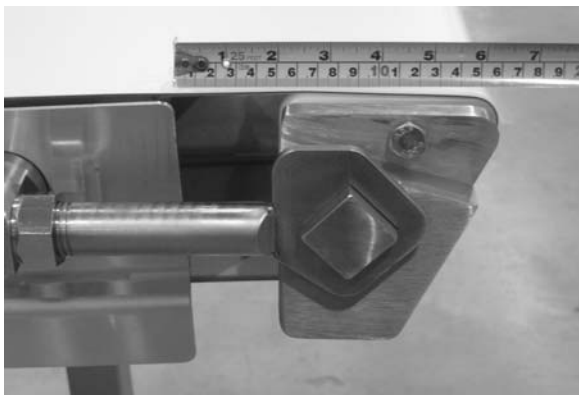


Figure 51

3. Tighten the back nuts (**Figure 50, item 2**) to secure the tail.

Conveyor Belt Tracking

IMPORTANT

When installing a new belt, set conveyor tracking elements to the "zero position" and start the tracking procedure. The zero position is when the tails are tensioned out to the 6" dimension as shown in (**Figure 51**, and the infeed tension roller (**Figure 54, item 1**) on the center drive assembly is set to its outermost position (roller away from center of box, against guard).

Tracking Procedure

Inspect belt tracking at tails and at center drive assembly. Track belt where needed. Refer to "Conveyor Belt Tracking at Tails" on page 18 and "Conveyor Belt Tracking at Center Drive" on page 19.

For conveyors 6 ft long and under, the majority of the belt tracking will be accomplished at the center drive assembly (may be able to track belt without tracking the tails).

Conveyor Belt Tracking at Tails

To adjust conveyor belt tracking at the tails:

1. Loosen the back nut (**Figure 50, item 2**) on the idler tail shaft that needs to be adjusted.
2. Tighten the front nut (**Figure 50, item 1**) on the idler tail shaft to adjust the belt tracking.

⚠ CAUTION

Ensure that there is at least 6" (152 mm) from the frame to the end of the tail.

- a. Loosen the nut to shorten the length of the idler tail shaft and bring the belt closer to that side of the conveyor (**Figure 52**).

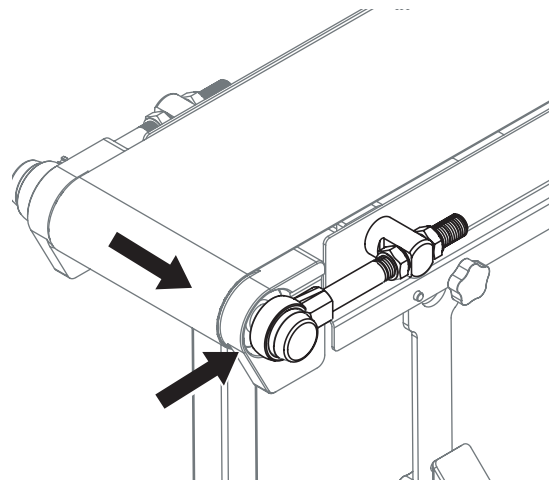


Figure 52

Preventive Maintenance and Adjustment

- b. Tighten the nut to increase the length of the idler tail shaft and move the belt away from that side of the conveyor (**Figure 53**).

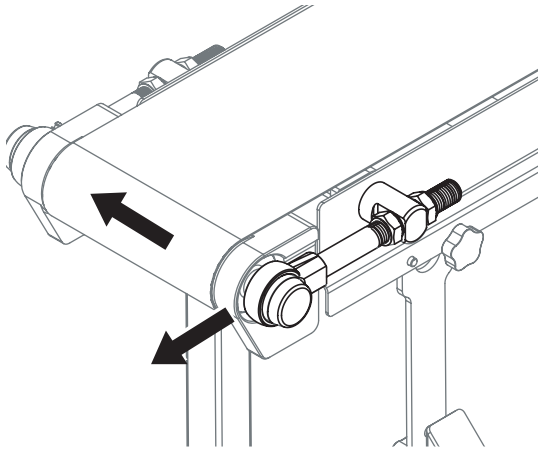


Figure 53

3. Tighten the back nut on the idler tail shaft when finished.

Conveyor Belt Tracking at Center Drive

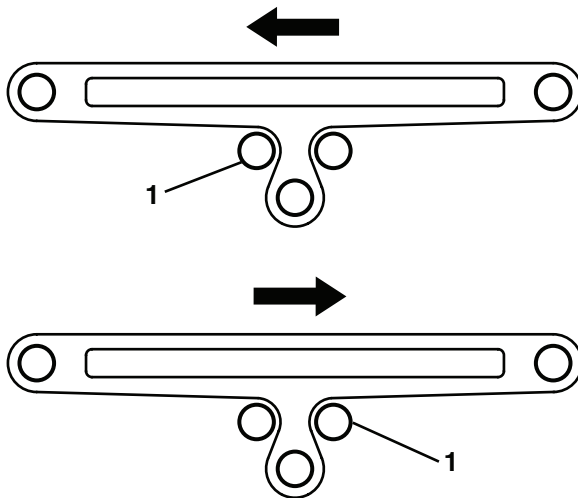


Figure 54

Tracking of belt through the center drive is done by adjusting the position of the infeed roller (**Figure 54, item 1**) on the center drive assembly.

To adjust conveyor belt tracking at the center drive:

1. Loosen the guide plate nuts (**Figure 55, item 1**) on the infeed side of the center drive assembly.

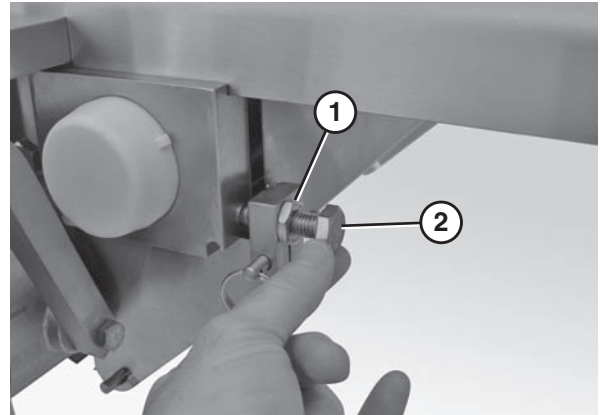


Figure 55

2. Tighten the guide plate bolt (**Figure 55, item 2**) to move the belt away from that side of the conveyor.
3. Tighten the guide plate nuts when finished.

IMPORTANT

Belt tracking will need to be readjusted if the direction of travel is changed.

Spindle Removal

⚠ WARNING




SEVERE HAZARD!

LOCK OUT POWER before removing guards or performing maintenance. Exposed moving parts can cause serious injury.

1. Remove the conveyor belt to access the spindles. Refer to "Conveyor Belt Replacement" on page 16.
2. Remove the spindle by following the instructions for the specific spindle type:
 - A - Center Drive Spindle Removal
 - B - Idler Spindle Removal
 - C - .5" Nose Bar Idler Spindle Removal
 - D - 1" Nose Bar Idler Spindle Removal
 - E - 1.875" Nose Bar Idler Spindle Removal

Preventive Maintenance and Adjustment

A - Center Drive Spindle Removal

 WARNING

PUNCTURE HAZARD! Handle drive shaft keyway with care. It may be sharp and could puncture the skin, causing serious injury.

1. Place the idler tail (Figure 56, item 1) in the up position.

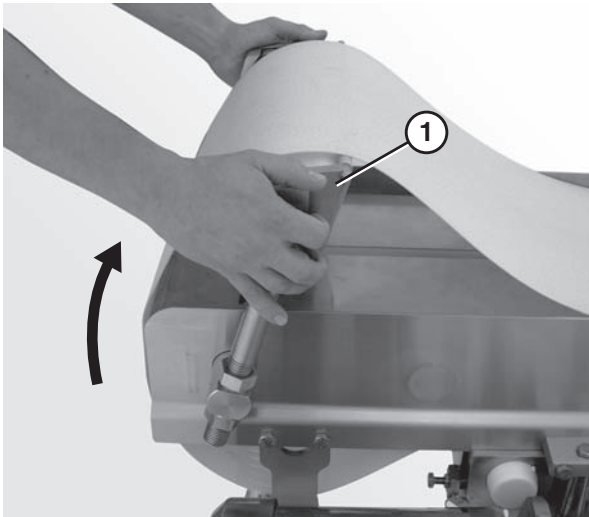


Figure 56

2. Remove the pull pins (Figure 57, item 1) from the center drive side plate (Figure 57, item 2).

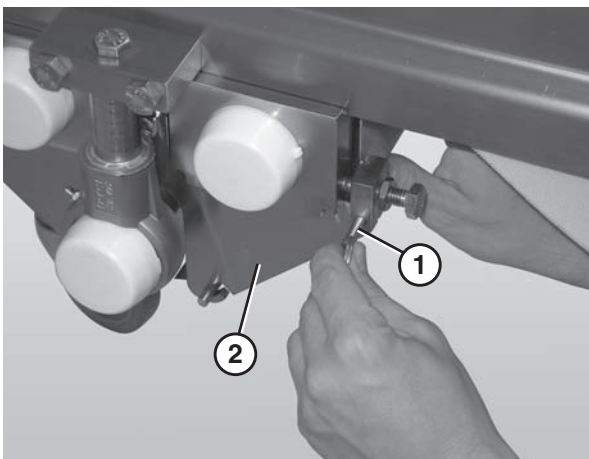


Figure 57

3. Lift up on the center drive guard (Figure 58, item 1) and remove it.

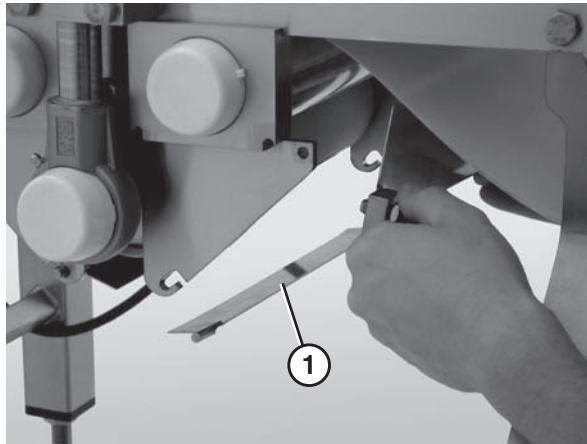


Figure 58

4. Slide the tension spindle assembly (Figure 59, item 1) out of the housing.

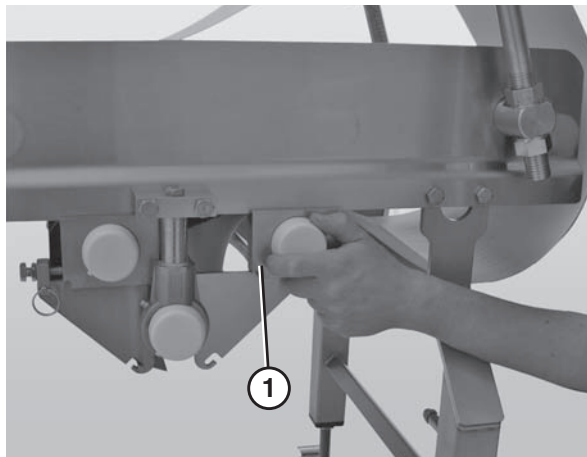


Figure 59

5. Repeat steps 2 - 4 on the other side of the drive assembly.

 WARNING

CRUSH HAZARD! <ul style="list-style-type: none">• SUPPORT MOTOR PRIOR TO LOOSENING THE BOLTS.• Loosening motor bolts may cause it to drop down, causing serious injury.

6. Remove the bolts (Figure 60, item 1) that connect the motor (Figure 60, item 2) to the gear reducer (Figure 60, item 3).

Preventive Maintenance and Adjustment

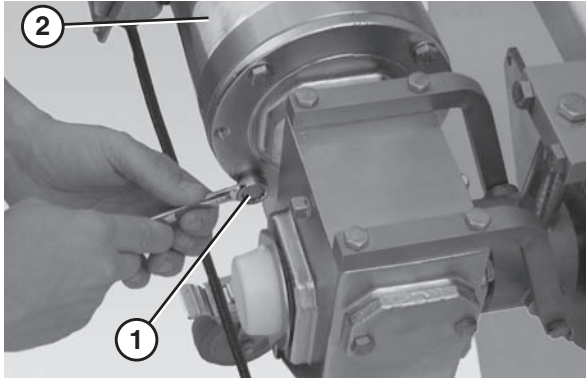


Figure 60

7. Disconnect the motor (**Figure 61, item 1**) from the gear reducer (**Figure 61, item 2**).

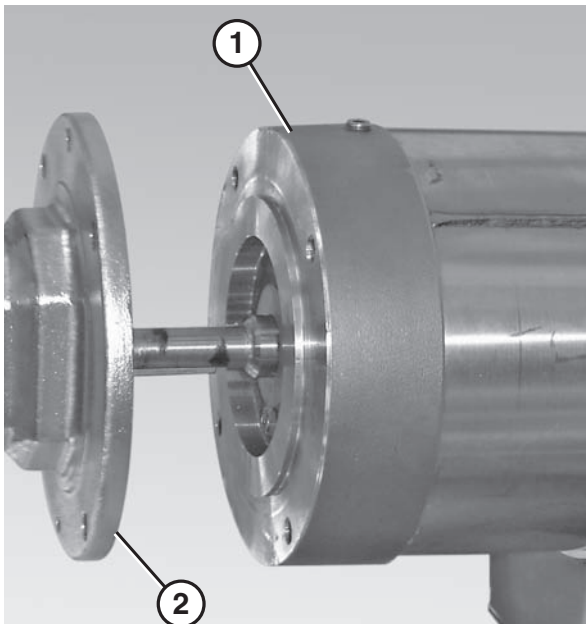


Figure 61

8. Remove the drive spindle cover (**Figure 62, item 1**).

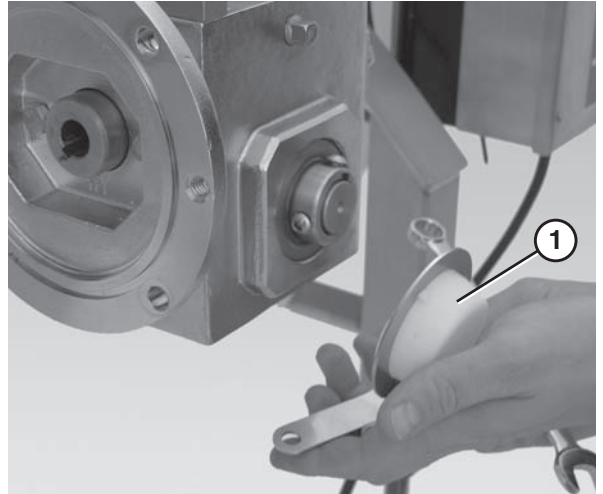


Figure 62

9. Use a 4 mm hex wrench to loosen the outside button head screws (**Figure 63, item 1**) and the inside button head screws (**Figure 63, item 2**) that connect the gearmotor to the drive spindle.

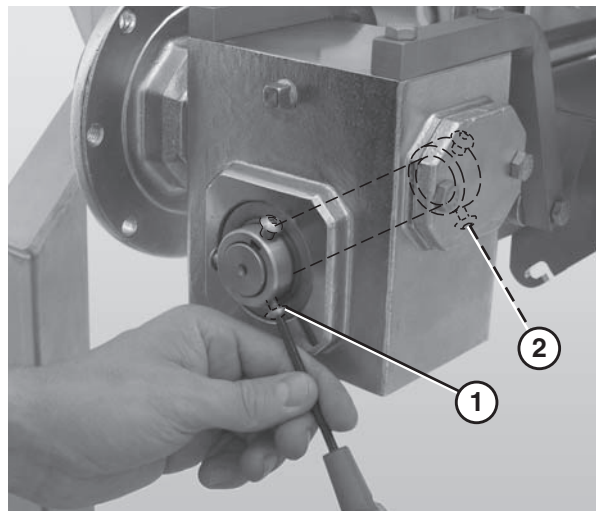


Figure 63

Preventive Maintenance and Adjustment

10. Remove the bolts (**Figure 64, item 1**) that connect the bent bars (**Figure 64, item 2**) to the drive mounting bracket (**Figure 64, item 3**).

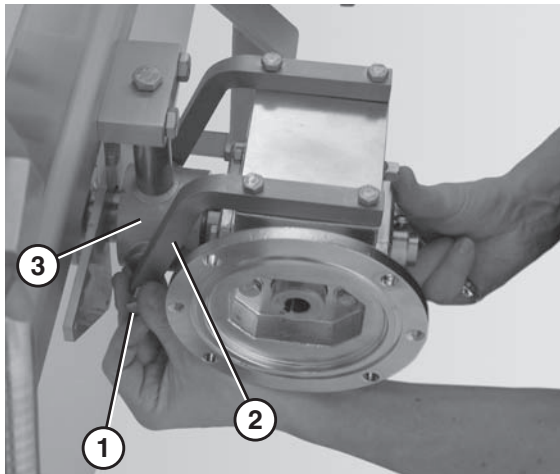


Figure 64

11. Slide the gear reducer (**Figure 65, item 1**) off the drive shaft (**Figure 65, item 2**).

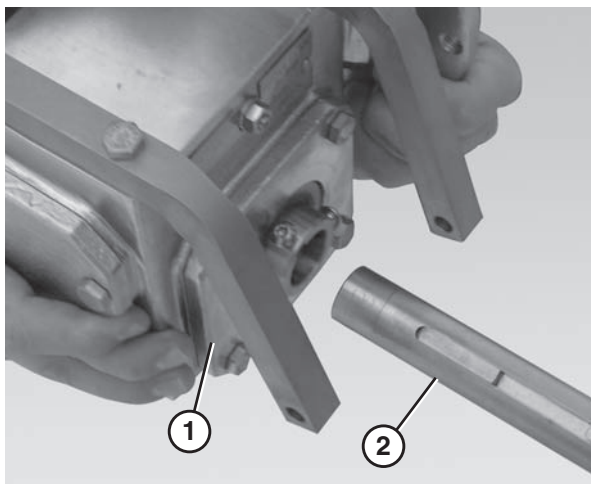


Figure 65

12. Remove the bearing cover (**Figure 66, item 1**) on the center drive shaft assembly (**Figure 66, item 2**).

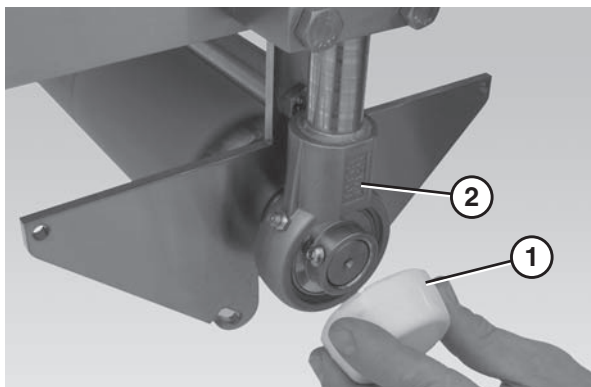


Figure 66

13. Use a 4 mm hex wrench to loosen the button head screws on the bearing (**Figure 67, item 1**).

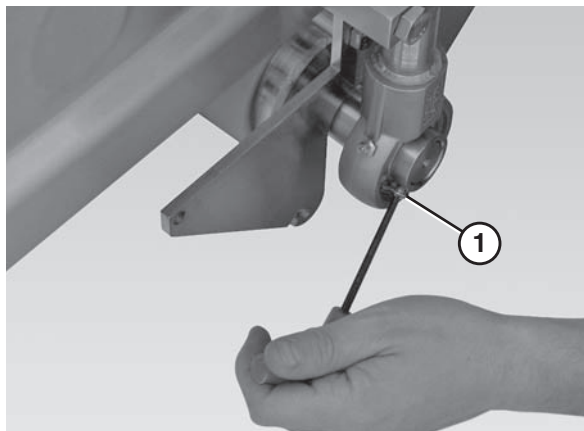


Figure 67

14. Remove the bolt (**Figure 68, item 1**) that connects the drive shaft assembly (**Figure 68, item 2**) to the block shaft mount (**Figure 68, item 3**).

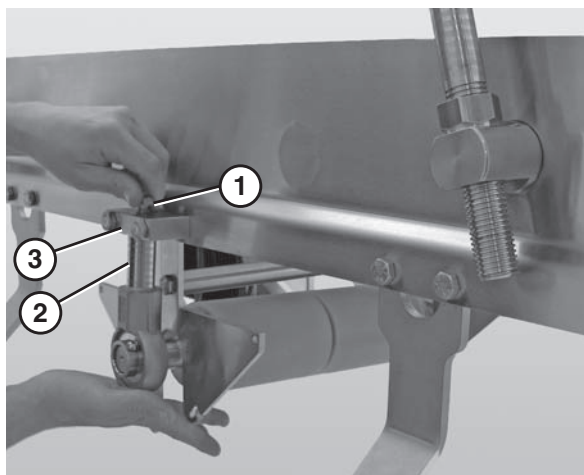


Figure 68

15. Lower the end of the drive shaft spindle (**Figure 69, item 1**) until it is clear of the side plate (**Figure 69, item 2**) and remove it.

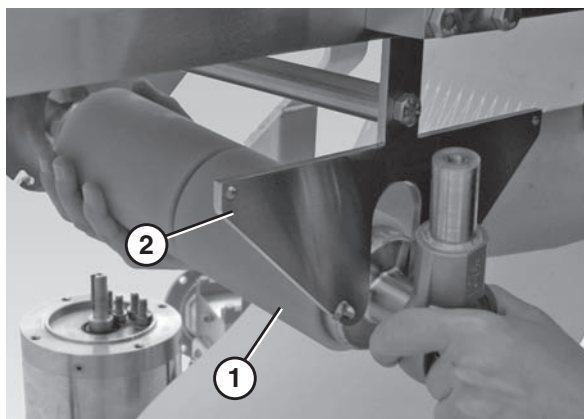


Figure 69

Preventive Maintenance and Adjustment

B - Idler Spindle Removal

1. Remove the back nuts (**Figure 70, item 1**) on both idler tail shafts.

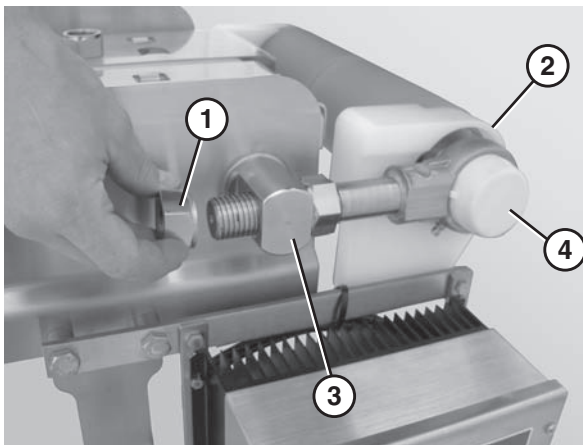


Figure 70

2. Slide the idler tail assembly (**Figure 70, item 2**) out of the take up blocks (**Figure 70, item 3**).
3. Remove the bearing covers (**Figure 70, item 4**).
4. Use a 4 mm hex wrench (**Figure 71, item 1**) to loosen the bearing shaft assembly fasteners (**Figure 71, item 2**).

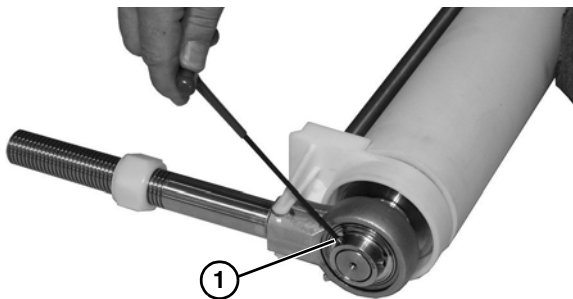


Figure 71

5. Remove the bearing shafts (**Figure 72, item 1**) and both pinch guards (**Figure 72, item 2**).

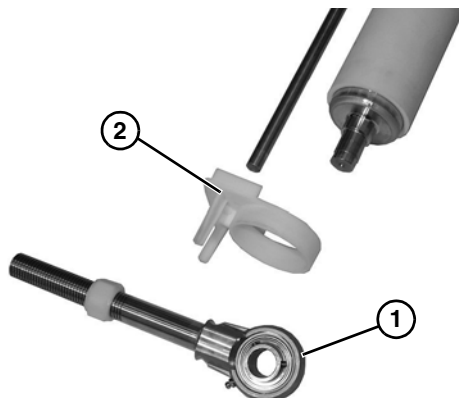


Figure 72

C - .5" Nose Bar Idler Spindle Removal

1. Remove the back nuts (**Figure 73, item 1**) on both discharge nose bar shafts.

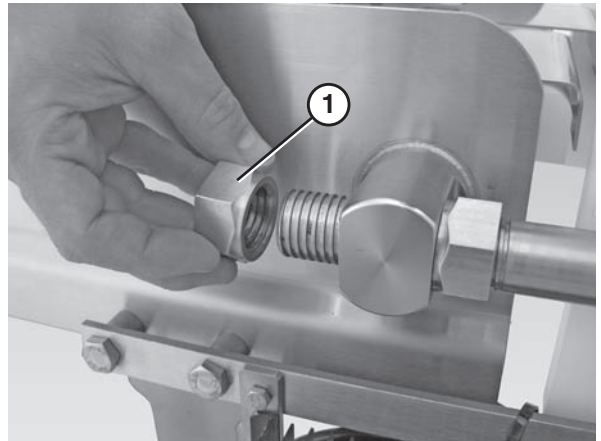


Figure 73

2. Slide the nose bar tail assembly (**Figure 74, item 1**) out of the take up blocks (**Figure 74, item 2**).

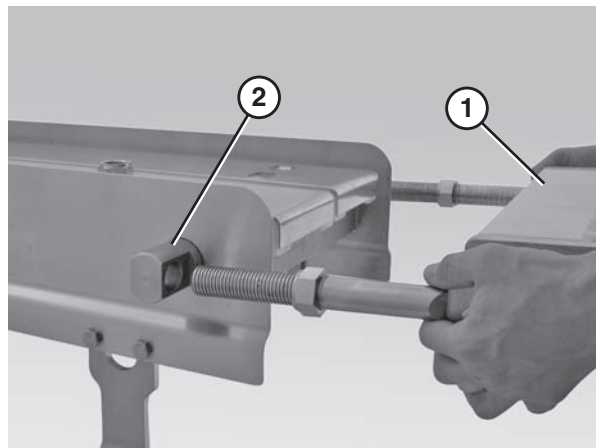


Figure 74

3. Slide the nose bar shafts (**Figure 75, item 1**) off of the nose bar weldment (**Figure 75, item 2**).

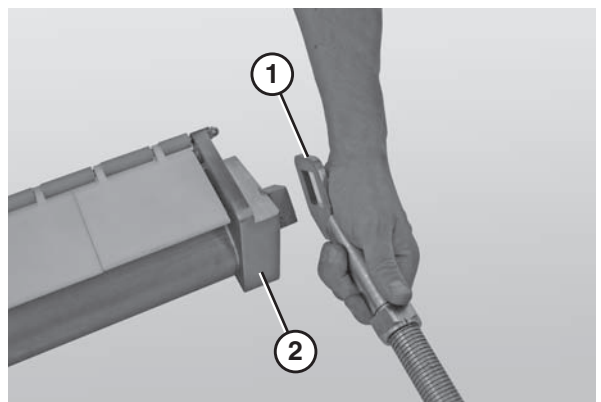


Figure 75

Preventive Maintenance and Adjustment

4. Use a 10 mm wrench to remove one of the acorn nuts (**Figure 76, item 1**) from the nose bar shaft.

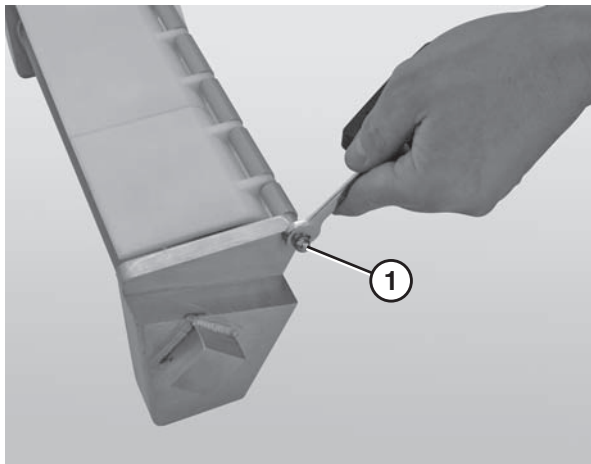


Figure 76

5. Remove the nose bar shaft (**Figure 77, item 1**), the rollers (**Figure 77, item 2**) and the roller mounts (**Figure 77, item 3**).

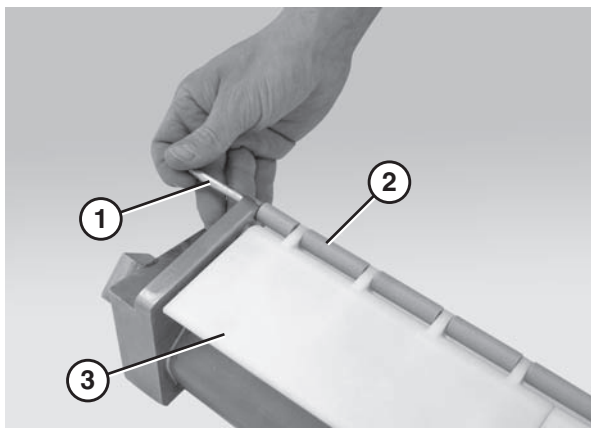


Figure 77

6. Remove the nose bar return spindle (**Figure 78, item 1**).

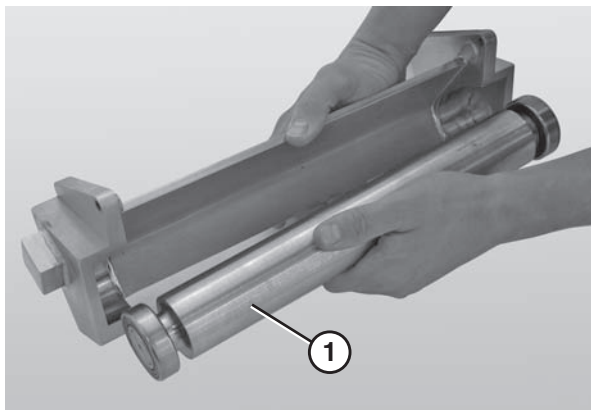


Figure 78

D - 1" Nose Bar Idler Spindle Removal

1. Remove the back nuts (**Figure 79, item 1**) on both discharge nose bar shafts.

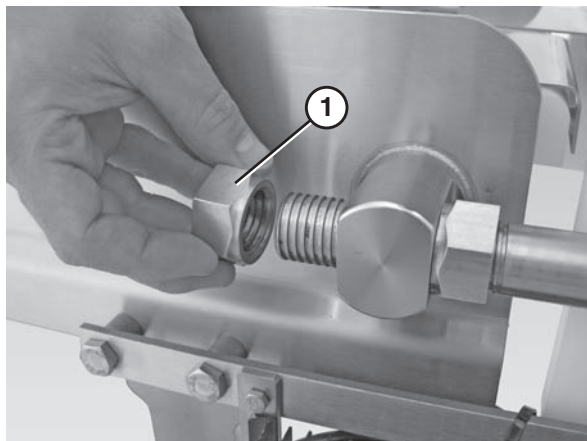


Figure 79

2. Slide the nose bar tail assembly (**Figure 80, item 1**) out of the take up blocks (**Figure 80, item 2**).

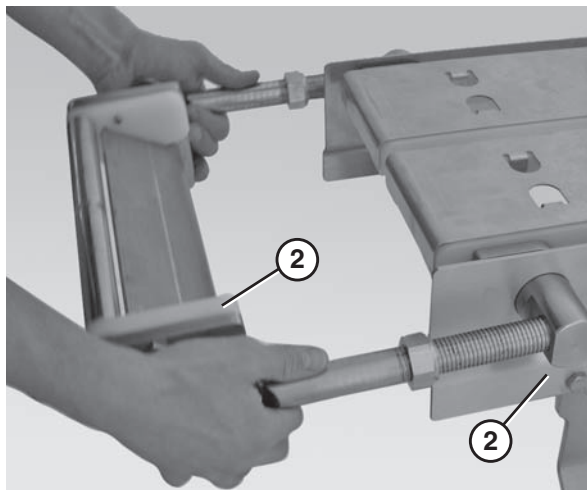


Figure 80

3. Slide the nose bar shafts (**Figure 81, item 1**) off of the nose bar weldment (**Figure 81, item 2**).

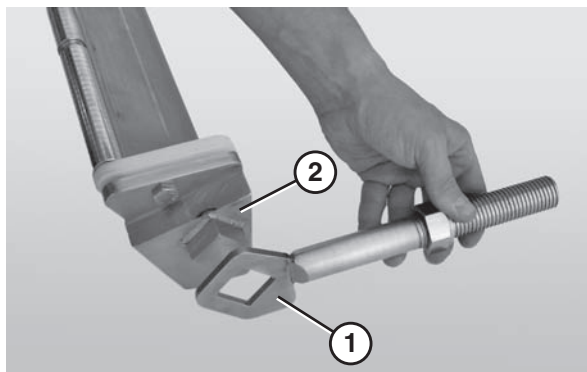


Figure 81

Preventive Maintenance and Adjustment

4. Use a 17 mm wrench to remove both pilot nose bolts (**Figure 82, item 1**) from the nose bar weldment (**Figure 82, item 2**).

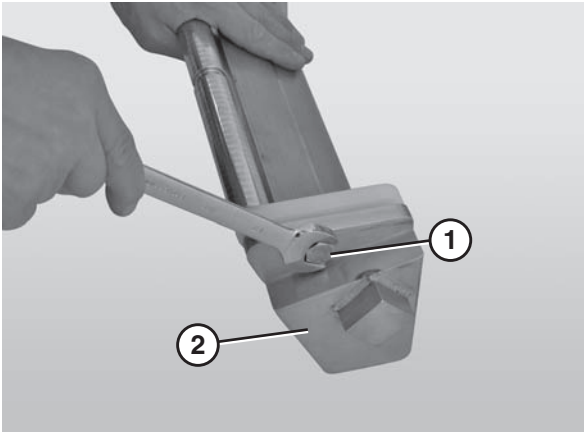


Figure 82

5. Slide the nose bar puck holders (**Figure 83, item 1**) and the nose bar spindle (**Figure 83, item 2**) off of the nose bar weldment (**Figure 83, item 3**).

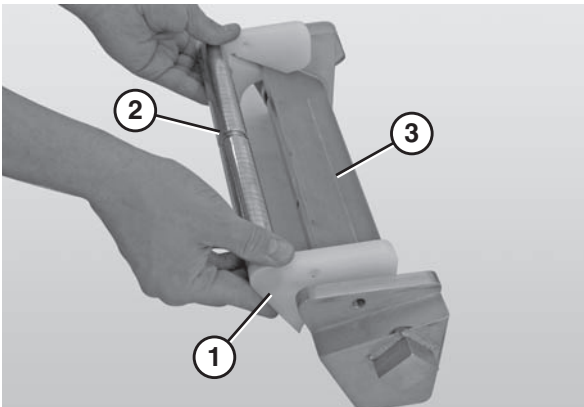


Figure 83

6. Remove the nose bar return spindle (**Figure 84, item 1**).

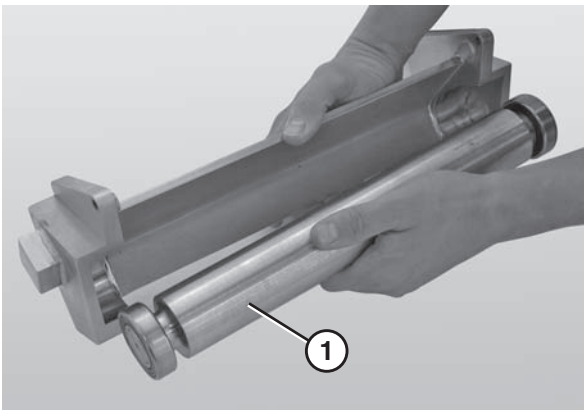


Figure 84

E - 1.875" Nose Bar Idler Spindle Removal

1. Slide the pinch guard blocks (**Figure 85, item 1**) off the nose bar spindles (**Figure 85, item 2**).

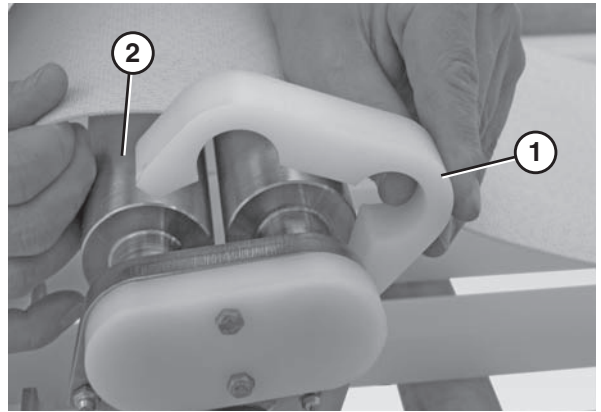


Figure 85

2. Remove the transfer bearing screws (**Figure 86, item 1**) and the cover (**Figure 86, item 2**) using an 8 mm wrench.

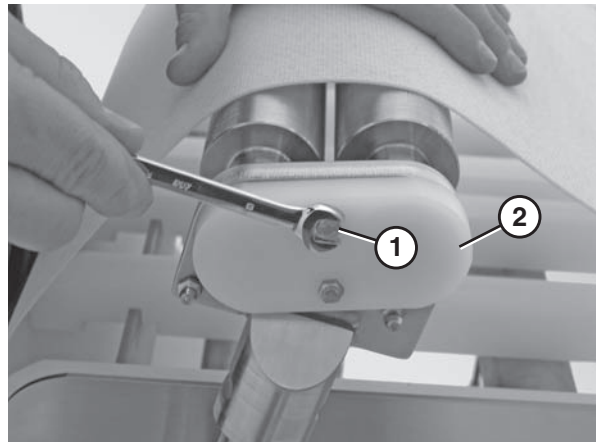


Figure 86

3. Remove the back nuts (**Figure 87, item 1**) on both discharge nose bar shafts.

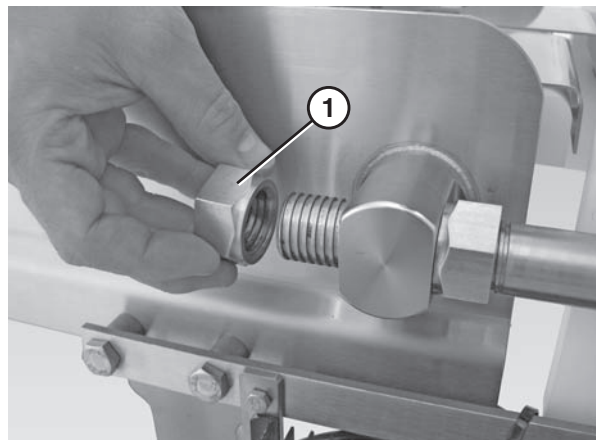


Figure 87

Preventive Maintenance and Adjustment

- Slide the nose bar tail assembly (Figure 88, item 1) out of the take up blocks (Figure 88, item 2).

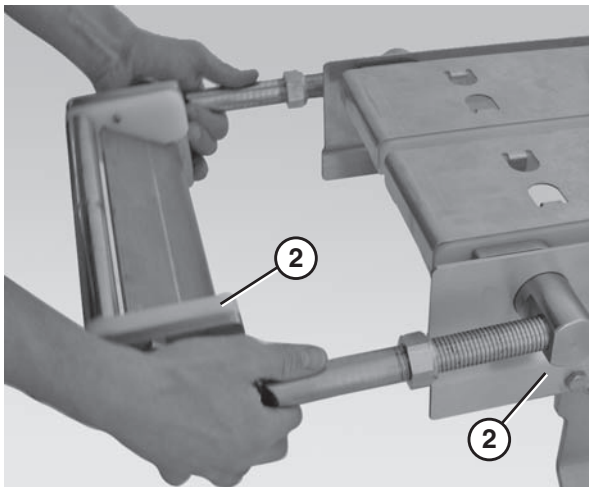


Figure 88

- Use a 4 mm hex wrench to loosen all the bearing fasteners (Figure 89, item 1).

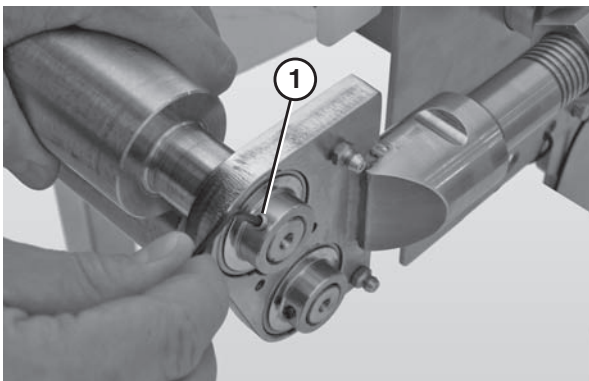


Figure 89

- Slide the nose bar shafts (Figure 90, item 1) off the nose bar spindles (Figure 90, item 2).

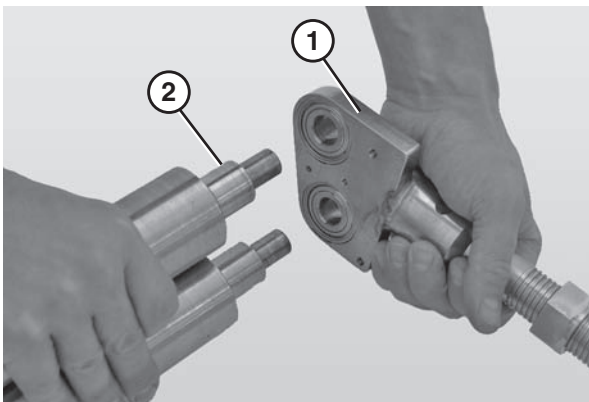


Figure 90

Reassembling Tail Assemblies

Refer to the "Service Parts" section starting on page 30 for complete diagrams and lists of all tail assembly components.

Gas Assist Replacement

- Raise the tip up tail.
- Remove the pull pin (Figure 91, item 1).

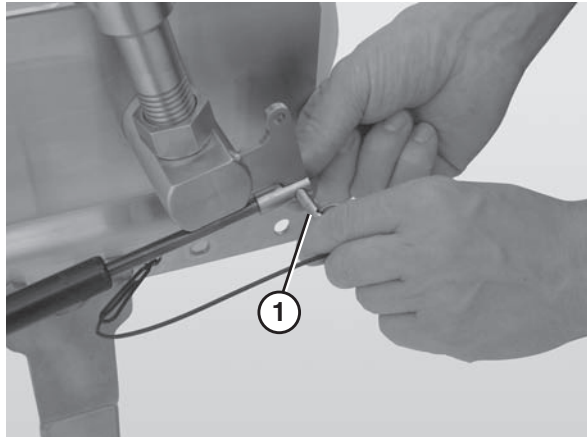


Figure 91

- Remove the hex bolt (Figure 92, item 1) that connects the gas spring (Figure 92, item 2) to the gas spring standoff post (Figure 92, item 3).

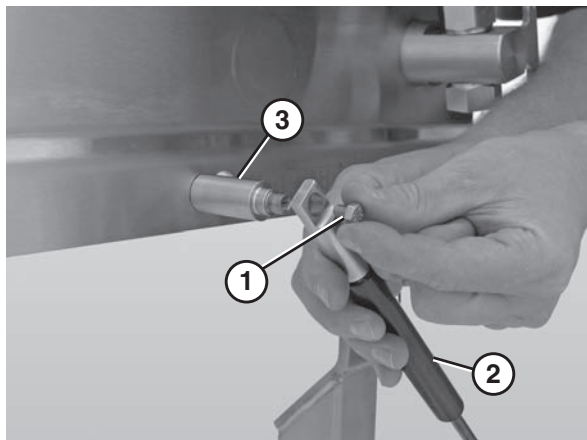


Figure 92

- Remove the inside hex bolt that connects the standoff post (Figure 92, item 3) to the frame.

Preventive Maintenance and Adjustment

Bearing Replacement

Standard Bearings

1. Secure the bearing shaft.
2. Remove the bearing cover.
3. Insert the rod end of another bearing shaft through the bearing orifice (**Figure 93**).

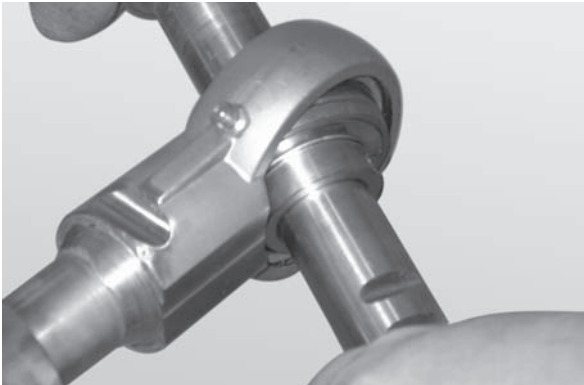


Figure 93

4. Apply lateral pressure to the rod until the bearing comes loose.
5. Remove the worn or damaged bearing (**Figure 94**).

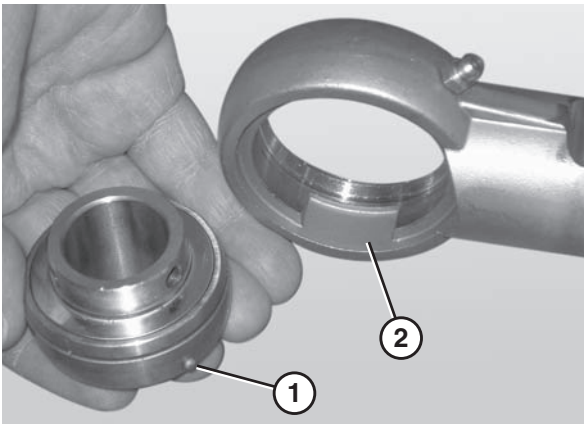


Figure 94

6. Replace the bearing.

NOTE

When inserting the new bearing, make sure the anti-rotation notch (**Figure 94, item 1**) on the bearing lines up with the groove inside the housing (**Figure 94, item 2**).

7. Use a hex wrench to tighten the bearing shaft assembly fasteners to 54 in-lbs (6 N•m). Check after 24 hours of conveyor use.

.5" and 1" Nose Bar Return Spindle Bearings

1. Remove the nose bar return spindle. Refer to "Spindle Removal" starting on page 19.
2. Using a bearing removal tool (**Figure 95, item 1**), remove the bearing (**Figure 95, item 2**).

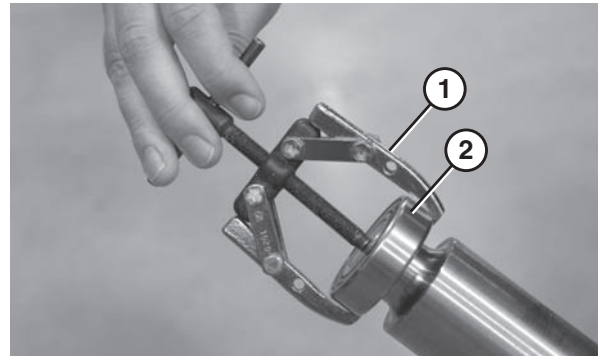


Figure 95

3. Replace the bearing.

1" Nose Bar Bearings

1. Remove the nose bar spindle. Refer to "Spindle Removal" starting on page 19.
2. Remove the nose bar puck holders (**Figure 96, item 1**).

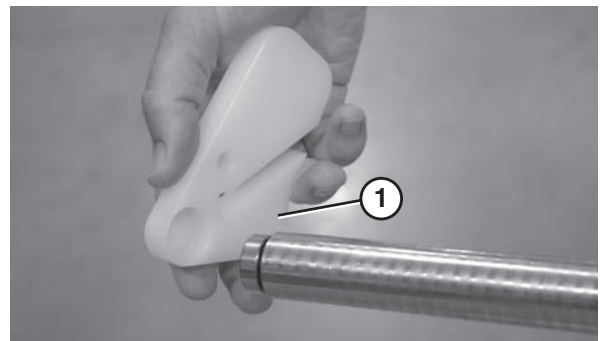


Figure 96

3. Using a bearing removal tool (**Figure 97, item 1**) remove the bearing (**Figure 97, item 2**).

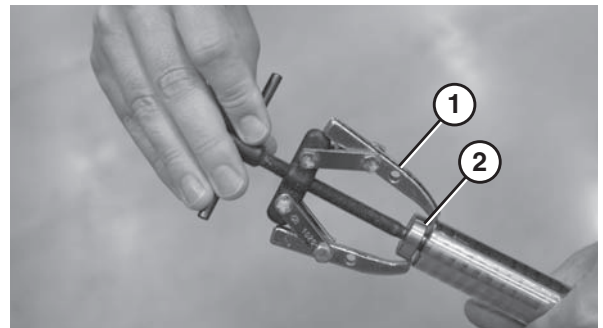


Figure 97

4. Replace the bearing.

Preventive Maintenance and Adjustment

1.875" Nose Bar Bearings

1. Remove the nose bar spindle. Refer to "Spindle Removal" starting on page 19.
2. Remove the bearing (**Figure 98, item 1**) from the nose bar shaft assembly (**Figure 98, item 2**).

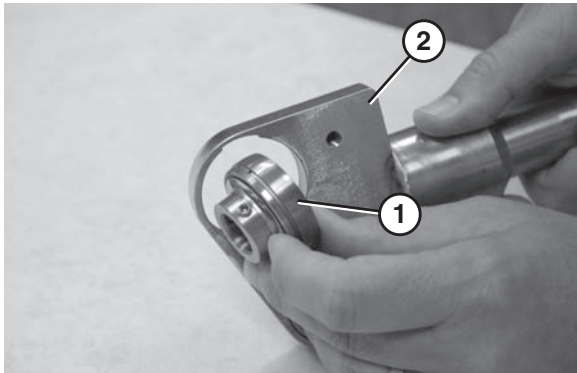


Figure 98

3. Replace the bearing.

Center Drive Tension Spindle Bearings

1. Remove the tension spindle. Refer to steps 1 - 5 in "A - Center Drive Spindle Removal" on page 20.
2. Remove the bearing cover (**Figure 99, item 1**).

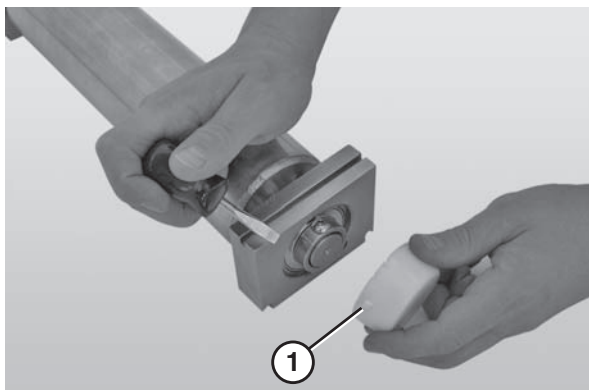


Figure 99

3. Use a 4 mm hex wrench to remove the button head screws that connect the bearing to the spindle (**Figure 100, item 1**).

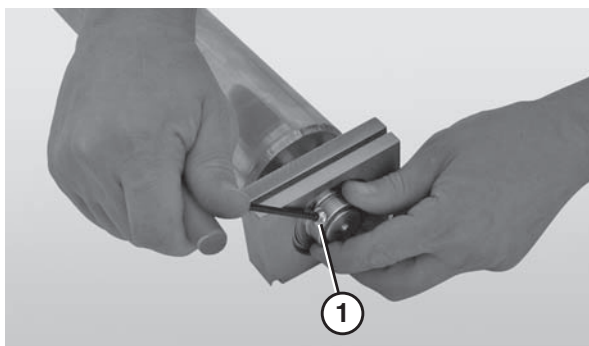


Figure 100

4. Slide the housing block (**Figure 101, item 1**) and bearing off of the tension spindle (**Figure 101, item 2**).

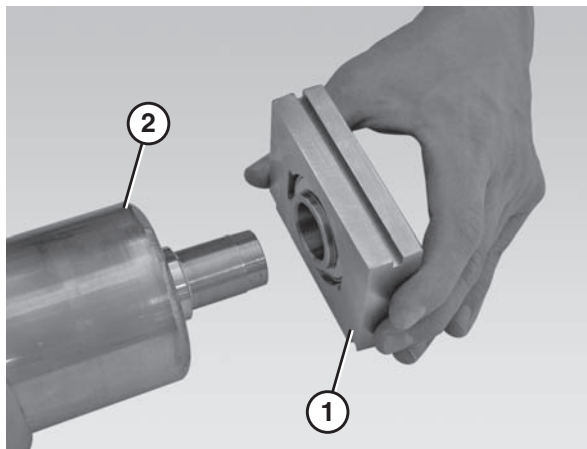


Figure 101

5. Remove the bearing (**Figure 102, item 1**) from the housing block (**Figure 102, item 2**).

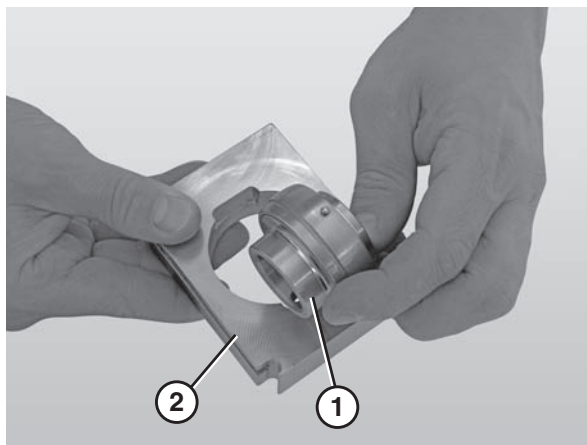



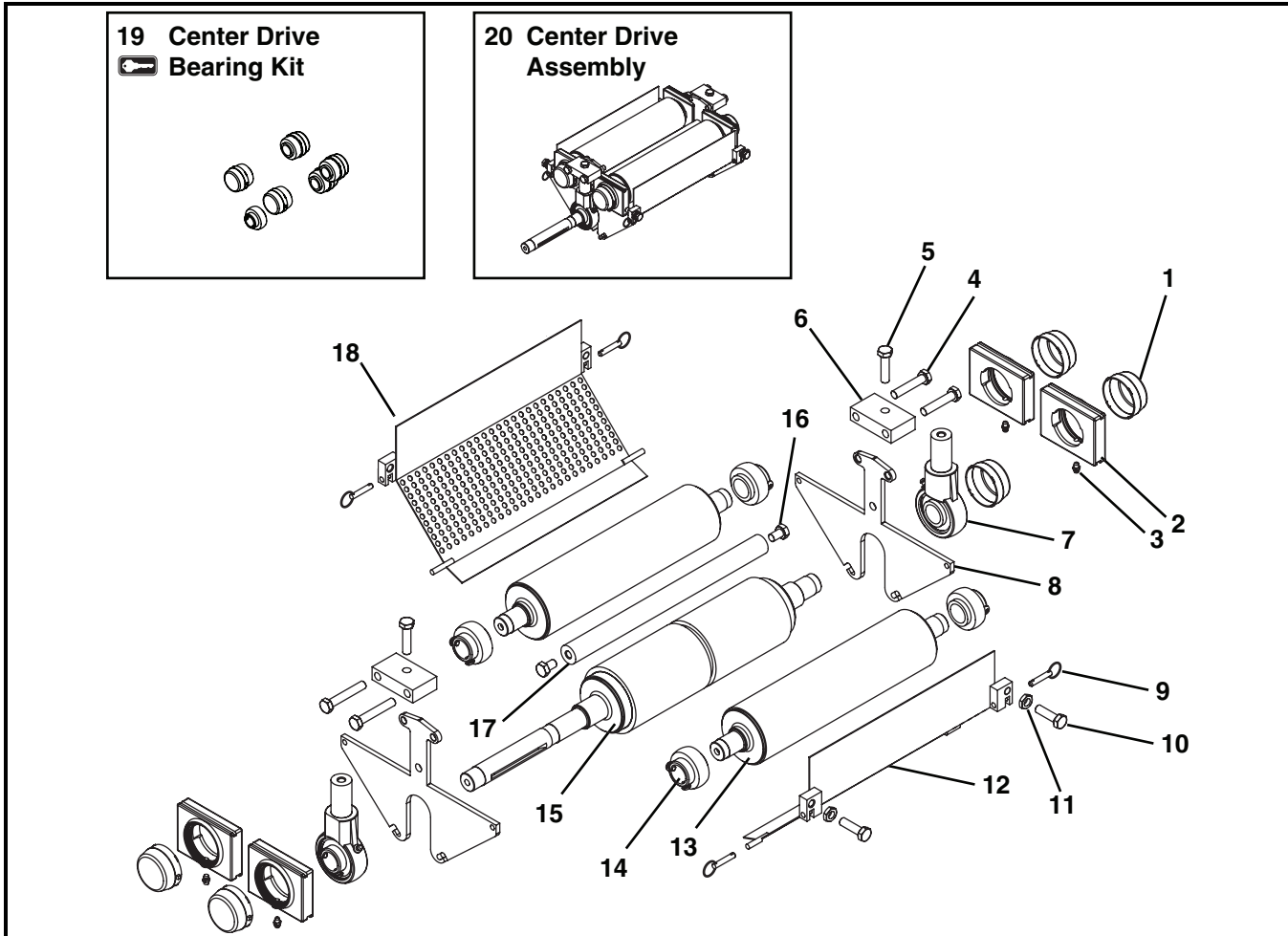
Figure 102

Service Parts

NOTE

For replacement parts other than those shown in this section, contact an authorized *Dorner Service Center* or the factory. Key Service Parts and Kits are identified by the Performance Parts Kits logo . Dorner recommends keeping these parts on hand.

Center Drive Assembly Components



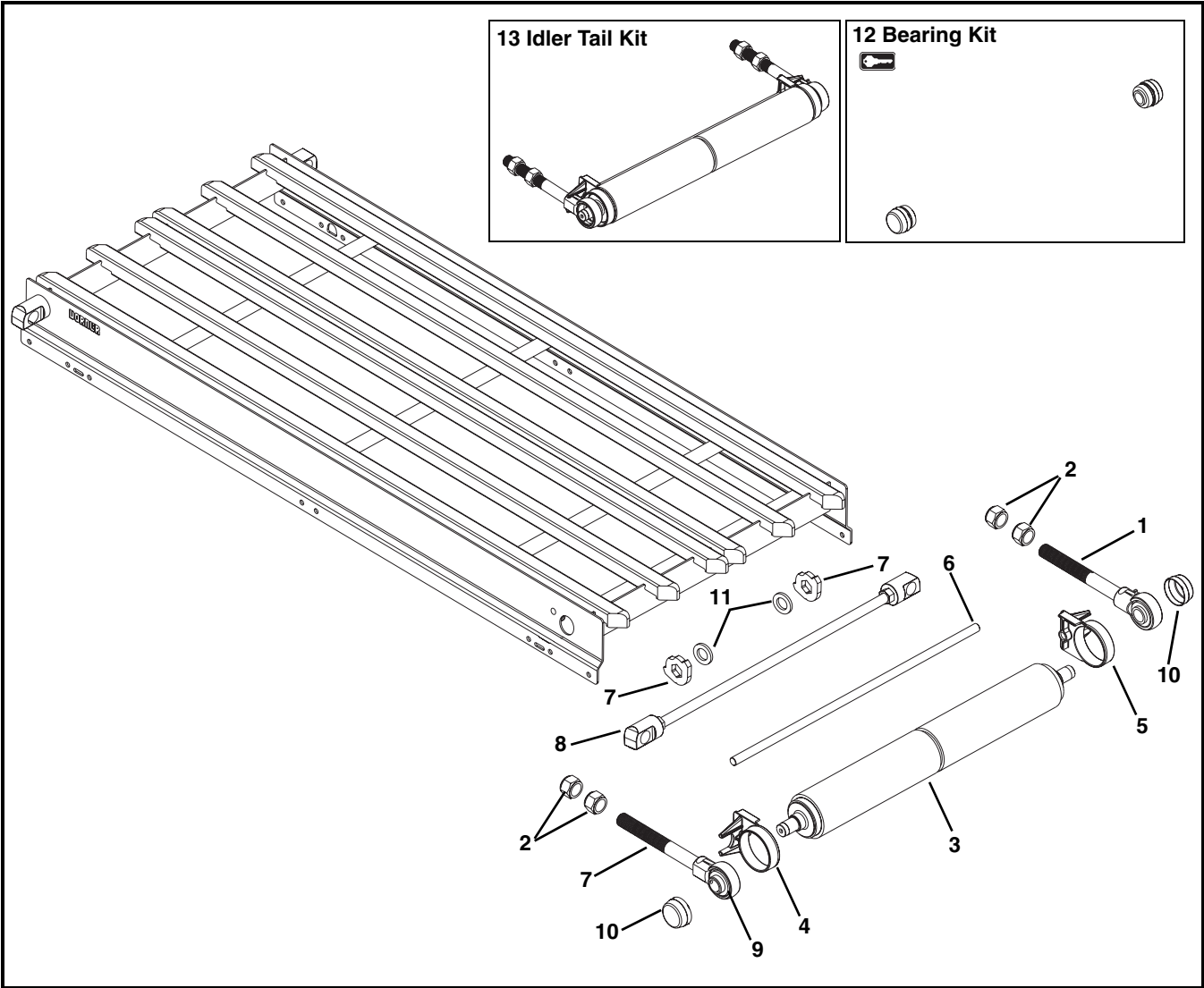
Item	Part Number	Description
1	807-1454	Bearing Cover
2	500683	Center Drive Housing Block
3	810-187	Zerk Fitting
4	961055MSS	Hex Head Cap Screw, M10-1.50 x 55 mm
5	961040MSS	Hex Head Cap Screw, M10-1.50 x 40 mm
6	500688	Center Drive Block Shaft Mount
7 *	500696	Center Drive Shaft Assembly, with Bearing and Cover
8	500692	Center Drive Side Plate
9	807-1553	Pull Pin
10	961035MSS	Hex Head Cap Screw, M10-1.50 x 35 mm
11	991009MSS	Hex Nut
12	5094WW	Infeed Center Drive Guard Assembly
13	5095WW	Center Drive Tension Spindle
14	802-162	Bearing
15	5096WW	Center Drive Spindle
	5292WW	CE Center Drive Spindle

Item	Part Number	Description
16	961016MSS	Hex Head Cap Screw, M10-1.50 x 16 mm
17	5125WW	Center Drive Cross Member Post
18	5149WW	Outfeed Center Drive Guard Assembly
19	76CDD	Center Drive Bearing Kit when Conveyor is ordered with a Dorner Gearmotor Mounting Package (Includes Items 1 and 14)
	76CDC	Center Drive Bearing Kit when Conveyor is ordered without a Dorner Gearmotor Mounting Package (Includes Items 1 and 14)
20	5127WW	Center Drive Module (Includes items 1 through 18)
	5301WW	CE Center Drive Module (Includes items 1 through 18)

WW = Conveyor width ref: 06 - 60 in 02 increments

* When the conveyor is ordered with a Dorner gearmotor mounting package a shaft assembly is replaced with a gearmotor mounting bracket.

Idler End Components



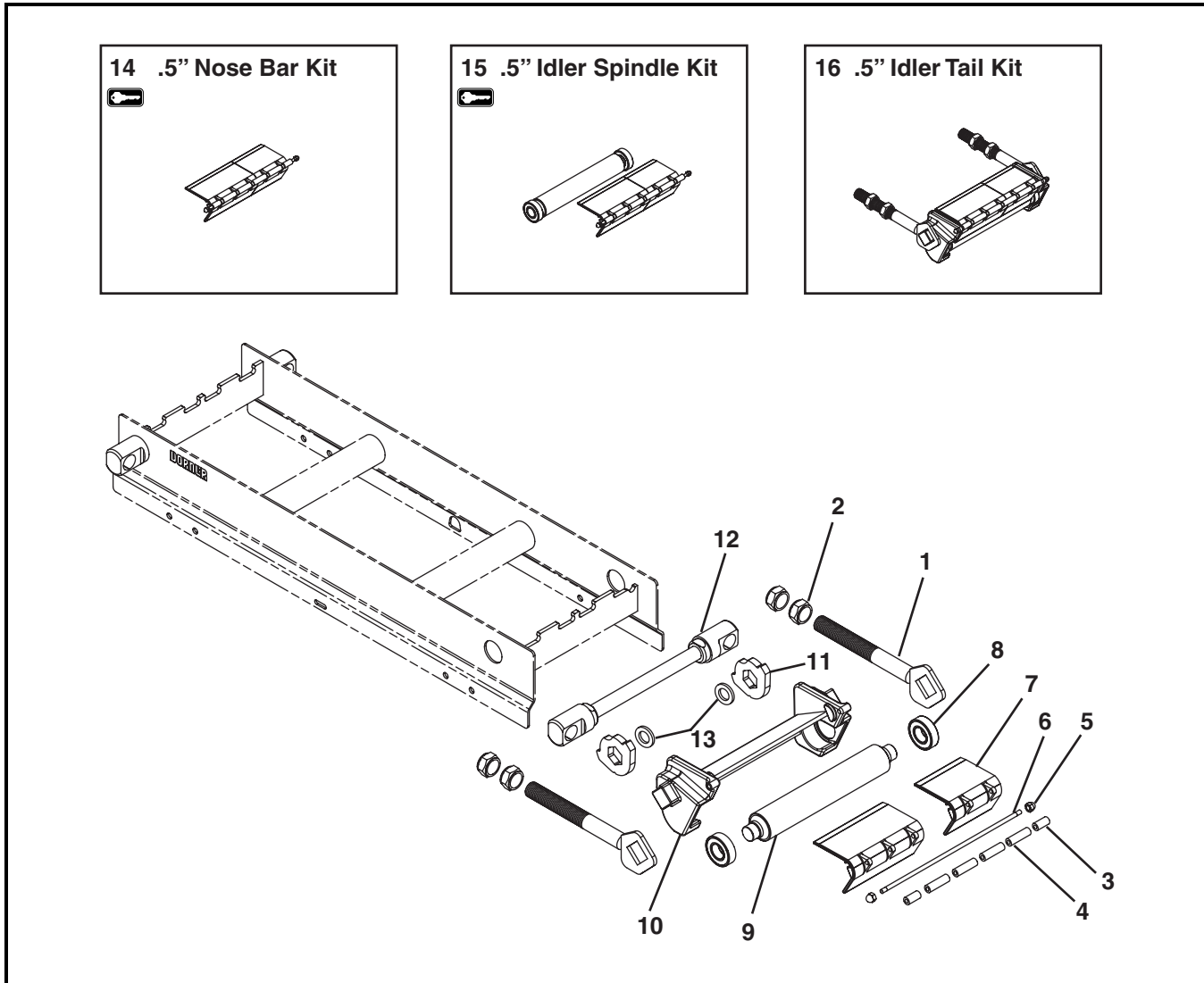
Item	Part Number	Description
1	506375	Shaft Assembly, with Bearing and Cover
2	500791	Nut
3	5104WW	Idler Spindle
4	506293	Pinch Guard, Left Hand
5	506294	Pinch Guard, Right Hand
6	506369-WW	Pinch Shaft Guard
7	506357	Key Stop

Item	Part Number	Description
8	506823-WW	Tip Up Shaft Assembly
9	802-162	Bearing
10	807-1454	Bearing Cover
11	514373	Spacer
12	76BKX-WW	Bearing Kit (Includes Items 9 and 10)
13	76STX-WW	Idler Tail Kit (Includes Items 1 through 6)

WW = Conveyor width ref: 06 - 60 in 02 increments

Service Parts

.5" Nose Bar Idler End



Item	Part Number	Description
1	500997	.5" Nose Bar Shaft Assembly
2	500791	Nut
3	501087	Roller .5" x 1.06"
4	501086	Roller .5" x 1.72"
5	990608MSS	Acorn Nut
6	5099WW	Nose Bar Shaft
7	See Chart	Roller Mount
8	802-164	Return Spindle Bearing
9	5097WW	.5" Nose Bar Return Spindle

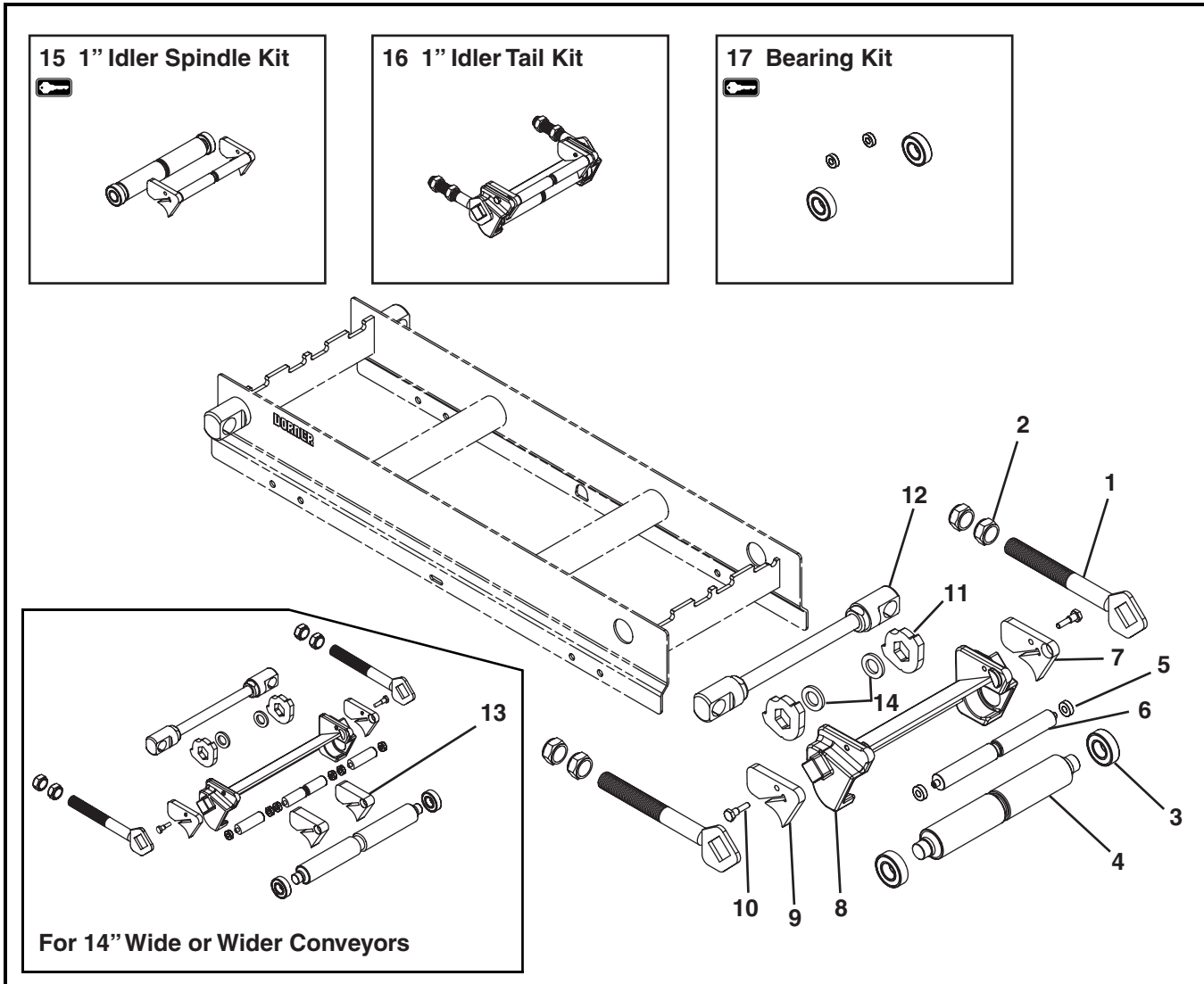
Item	Part Number	Description
10	5092WW	.5" Nose Bar Weldment Assembly
11	506357	Key Stop
12	506823-WW	Tip Up Shaft Assembly
13	514373	Spacer
14	76NB5-WW	.5" Nose Bar Kit (Includes Items 3 through 7)
15	76NB-WW	.5" Idler Spindle Kit (Includes Items 3 through 9)
16	76NBT-WW	.5" Idler Tail Kit (Includes Items 1 through 10)

WW = Conveyor width ref: 06 - 60 in 02 increments

Item 7: Roller Mount	
Width	Part Number
6" (152 mm)	501078
8" (203 mm)	501077
10" (254 mm)	501078 & 501079
12" (305 mm)	501077 & 501079
14" (356 mm)	501077 & 501078
16" (406 mm)	501077 (x2)
18" (457 mm)	501077, 501078 & 501079
20" (508 mm)	501077 (x2) & 501079
22" (559 mm)	501077 (x2) & 501076
24" (610 mm)	501077 (x3)
26" (660 mm)	501077 (x2), 501078 & 501079
28" (711 mm)	501077 (x3) & 501079
30" (762 mm)	501077 (x3) & 501078
32" (813 mm)	501077 (x4)
34" (864 mm)	501077 (x3), 501078 & 501079
36" (914 mm)	501077 (x4) & 501079
38" (965 mm)	501077 (x4) & 501078
40" (1016 mm)	501077 (x5)
42" (1067 mm)	501077 (x4), 501078 & 501079
44" (1118 mm)	501077 (x5) & 501079
46" (1168 mm)	501077 (x5) & 501078
48" (1219 mm)	501077 (x6)
50" (1270 mm)	501077 (x5), 501078 & 501079
52" (1321 mm)	501077 (x6) & 501079
54" (1372 mm)	501077 (x6) & 501078
56" (1422 mm)	501077 (x7)
58" (1473 mm)	501077 (x6), 501078 & 501079
60" (1524 mm)	501077 (x7) & 501079

Service Parts

1" Nose Bar Idler End



Item	Part Number	Description
1	500997	1" Nose Bar Shaft Assembly
2	500791	Nut
3	802-164	Return Spindle Bearing
4	5107WW	1" Nose Bar Return Spindle
5	802-123	Nose Bar Bearing
6	See Chart	1" Nose Bar Spindle
7	500975	Nose Bar Puck Holder Right Hand
8	5105WW	1" Nose Bar Weldment Assembly
9	500976	Nose Bar Puck Holder Left Hand
10	501178	Pilot Nose Bolt

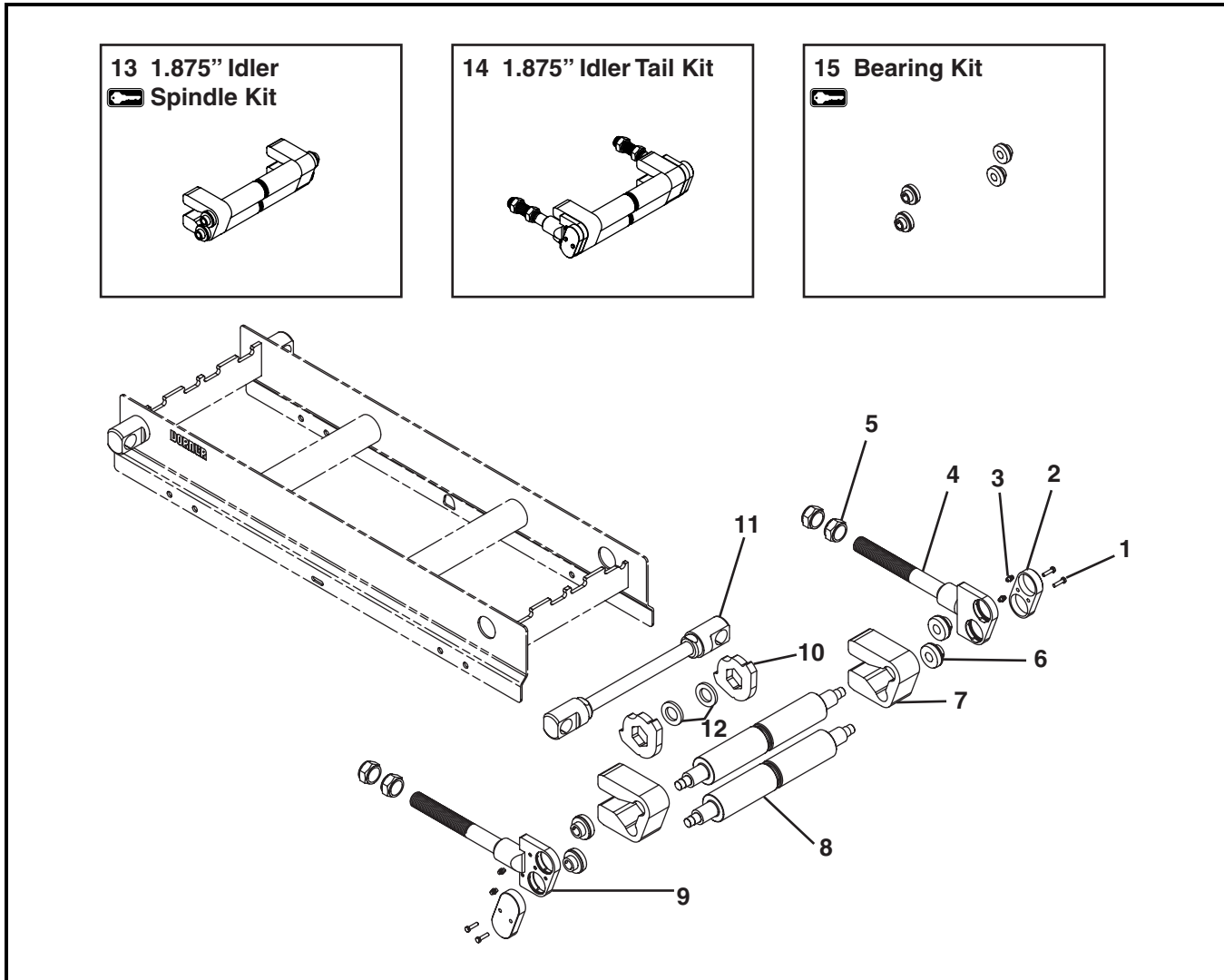
Item	Part Number	Description
11	506357	Key Stop
12	506823-WW	Tip Up Shaft Assembly
13	500977	Nose Bar Puck Holder, Center
14	514373	Spacer
15	76NB1-WW	1" Idler Spindle Kit (Includes Items 3 through 7, 9 and 13)
16	76NBT1-WW	1" Idler Tail Kit (Includes Items 1 through 10 and 13)
17	76BK1-WW	Bearing Kit (Includes Items 3 and 5)

WW = Conveyor width ref: 06 - 60 in 02 increments

Item 6: 1" Nose Bar Spindle	
Width	Part Number
6" (152mm)	505107
8" (203mm)	505108
10" (254mm)	505109
12" (305mm)	505110
14" (356mm)	505103 (x2) & 505107
16" (406mm)	505103 (x2) & 505108
18" (457mm)	505103 (x2) & 505109
20" (508mm)	505103 (x2) & 505110
22" (559mm)	505104 (x2) & 505107
24" (610mm)	505104 (x2) & 505108
26" (660mm)	505104 (x2) & 505109
28" (711mm)	505104 (x2) & 505110
30" (762mm)	505106 (x2) & 505107
32" (813mm)	505106 (x2) & 505108
34" (864mm)	505106 (x2) & 505109
36" (914mm)	505106 (x2) & 505110
38" (965mm)	505104 (x4) & 505107
40" (1016mm)	505104 (x4) & 505108
42" (1067mm)	505104 (x4) & 505109
44" (1118mm)	505104 (x4) & 505110
46" (1168mm)	505105 (x4) & 505107
48" (1219mm)	505105 (x4) & 505108
50" (1270mm)	505105 (x4) & 505109
52" (1321mm)	505105 (x4) & 505110
54" (1372mm)	505106 (x4) & 505107
56" (1422mm)	505106 (x4) & 505108
58" (1473mm)	505106 (x4) & 505109
60" (1524mm)	505106 (x4) & 505110

Service Parts

1.875" Nose Bar Idler End

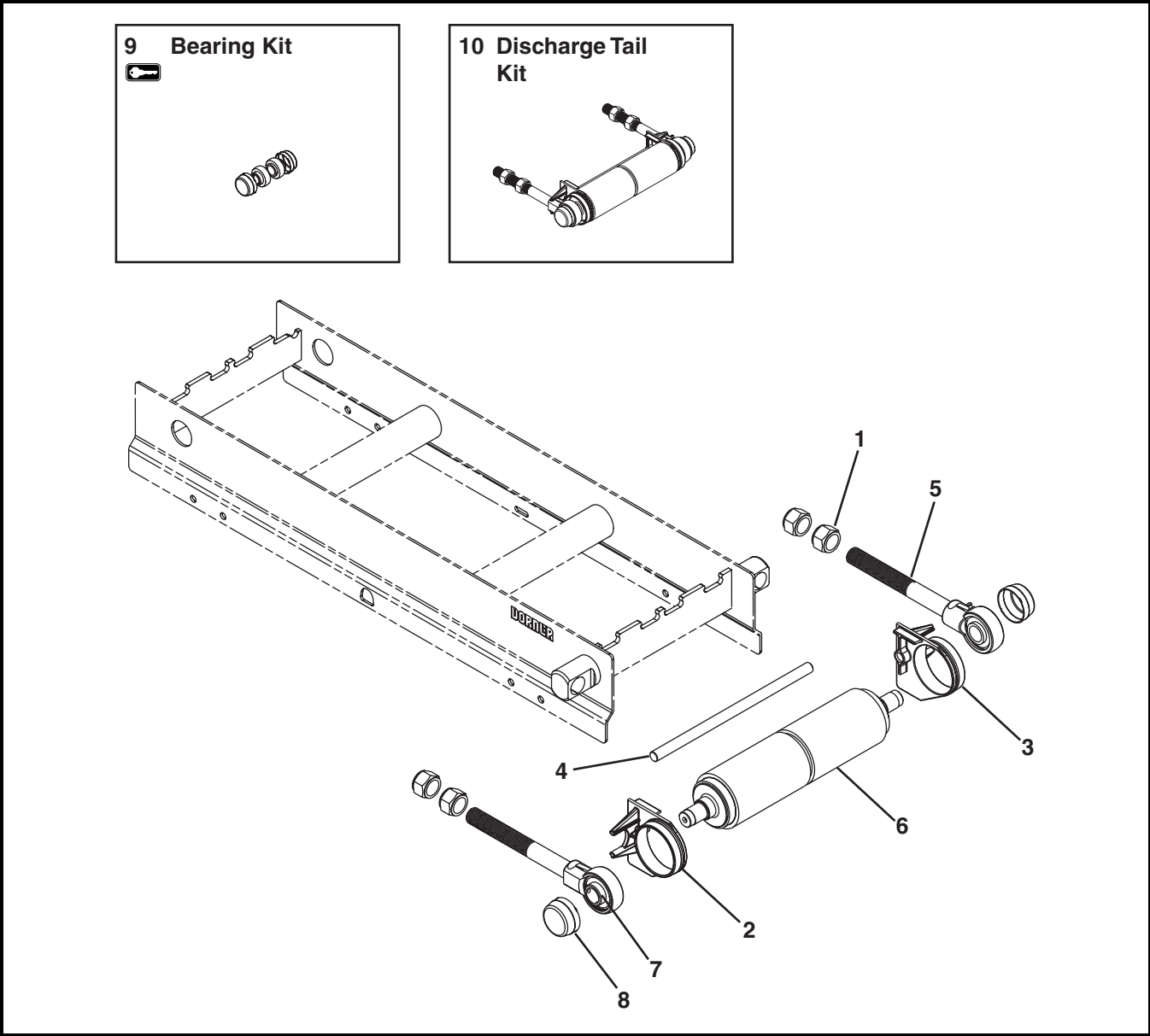


Item	Part Number	Description
1	960520MSS	Hex Head Cap Screw M5-0.8 x 20 mm
2	501085	Transfer Bearing Cover
3	810-187	Grease Fitting
4	501083	1.875" Nose Bar Shaft Assembly Right Hand
5	500791	Nut
6	802-171	Bearing
7	501081	Pinch Guard block
8	5101WW	1.875" Nose Bar Spindle
9	501084	1.875" Nose Bar Shaft Assembly Left Hand

Item	Part Number	Description
10	506357	Key Stop
11	506823-WW	Tip Up Shaft Assembly
12	514373	Spacer
13	76NB2-WW	1.875" Idler Spindle Kit (Includes Items 6 through 8)
14	76NB2-WW	1.875" Idler Tail Kit (Includes Items 1 through 9)
15	76BK2-WW	Bearing Kit (Includes Item 6)

WW = Conveyor width ref: 06 - 60 in 02 increments

Discharge End

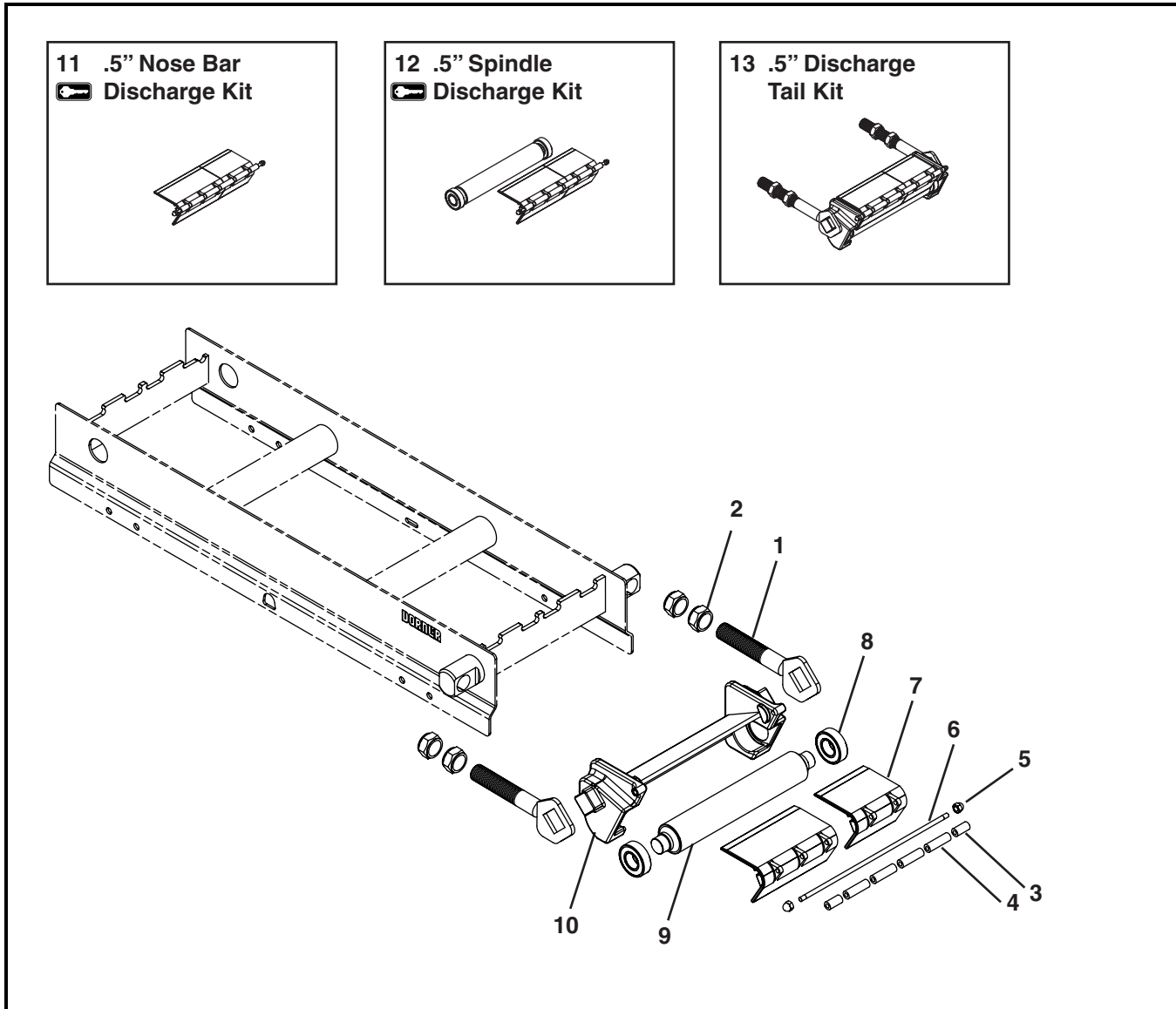


Item	Part Number	Description
1	500791	Nut
2	506293	Pinch Guard Left Hand
3	506294	Pinch Guard Right Hand
4	506369- <u>WW</u>	Pinch Guard Shaft
5	506375	Discharge Shaft Assembly, with Bearing and Cover
6	5104 <u>WW</u>	Idler Spindle

Item	Part Number	Description
7	802-162	Bearing
8	807-1454	Cover
9	76BK	Bearing Kit (Includes Items 7 and 8)
10	76SDX- <u>WW</u>	Discharge Tail Kit (Includes Items 1 through 8)
<u>WW</u> = Conveyor width ref: 06 - 60 in 02 increments		

Service Parts

.5" Nose Bar Discharge End



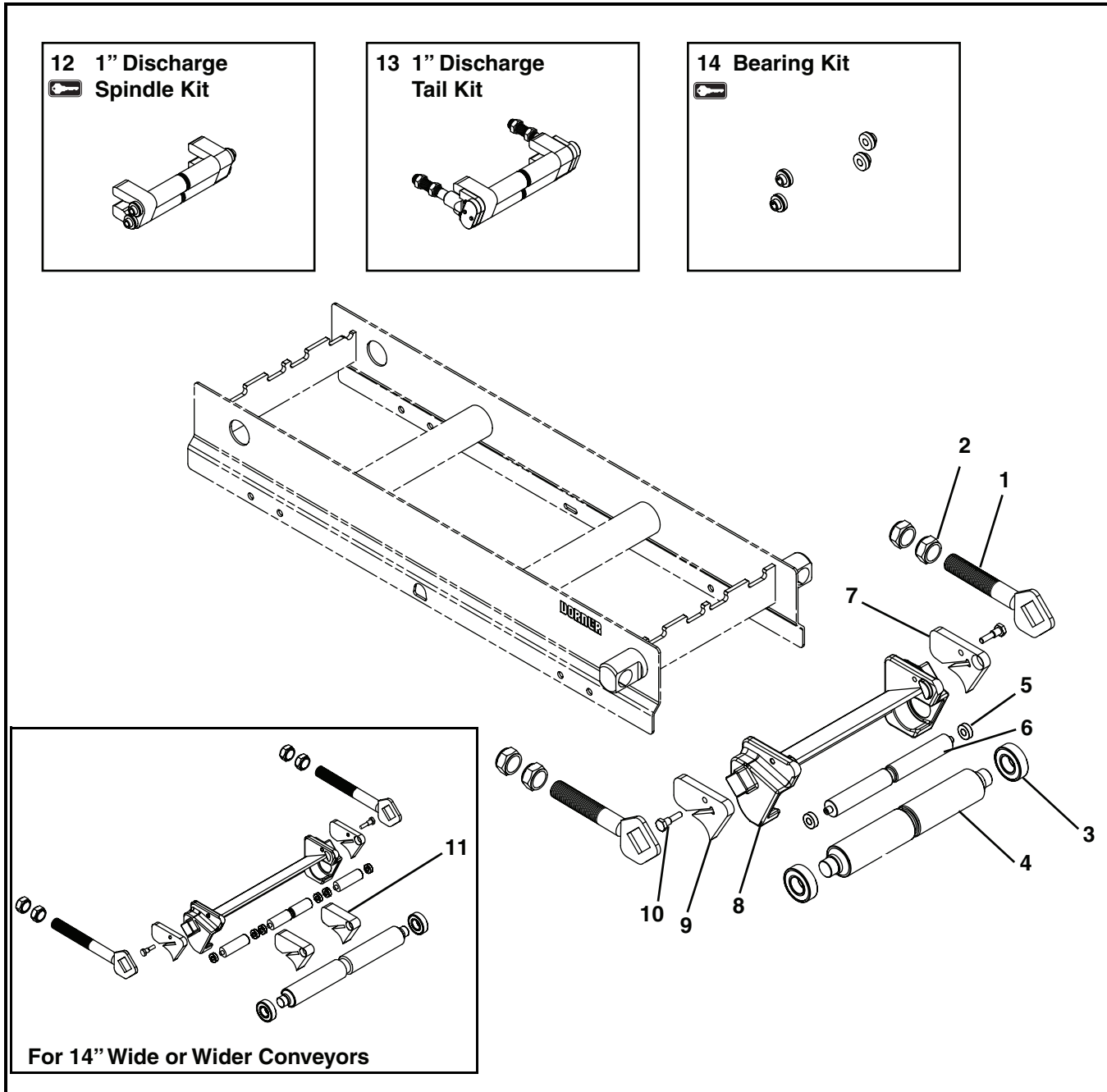
Item	Part Number	Description
1	501093	Discharge Nose Bar Shaft Assembly
2	500791	Nut
3	501087	Roller .5" x 1.06"
4	501086	Roller .5" x 1.72"
5	990608MSS	Acorn Nut
6	5099WW	Nose Bar Shaft
7	See Chart	Roller Mount
8	802-164	Return Spindle Bearing

Item	Part Number	Description
9	5097WW	.5" Nose Bar Return Spindle
10	5092WW	.5" Nose Bar Weldment Assembly
11	76NB5-WW	.5" Nose Bar Discharge Kit (Includes Items 3 through 7)
12	76NB-WW	.5" Spindle Discharge Kit (Included Items 3 through 9)
13	76NBD5-WW	.5" Discharge Tail Kit (Includes Items 1 through 10)
WW = Conveyor width ref: 06 - 60 in 02 increments		

Item 7: Roller Mount	
Width	Part Number
6" (152 mm)	501078
8" (203 mm)	501077
10" (254 mm)	501078 & 501079
12" (305 mm)	501077 & 501079
14" (356 mm)	501077 & 501078
16" (406 mm)	501077 (x2)
18" (457 mm)	501077, 501078 & 501079
20" (508 mm)	501077 (x2) & 501079
22" (559 mm)	501077 (x2) & 501076
24" (610 mm)	501077 (x3)
26" (660 mm)	501077 (x2), 501078 & 501079
28" (711 mm)	501077 (x3) & 501079
30" (762 mm)	501077 (x3) & 501078
32" (813 mm)	501077 (x4)
34" (864 mm)	501077 (x3), 501078 & 501079
36" (914 mm)	501077 (x4) & 501079
38" (965 mm)	501077 (x4) & 501078
40" (1016 mm)	501077 (x5)
42" (1067 mm)	501077 (x4), 501078 & 501079
44" (1118 mm)	501077 (x5) & 501079
46" (1168 mm)	501077 (x5) & 501078
48" (1219 mm)	501077 (x6)
50" (1270 mm)	501077 (x5), 501078 & 501079
52" (1321 mm)	501077 (x6) & 501079
54" (1372 mm)	501077 (x6) & 501078
56" (1422 mm)	501077 (x7)
58" (1473 mm)	501077 (x6), 501078 & 501079
60" (1524 mm)	501077 (x7) & 501079

Service Parts

1" Nose Bar Discharge End



Item	Part Number	Description
1	501093	Discharge Nose Bar Shaft Assembly
2	500791	Nut
3	802-164	Return Spindle Bearing
4	5107WW	1" Nose Bar Return Spindle
5	802-123	Nose Bar Bearing
6	See Chart	1" Nose Bar Spindle
7	500975	Nose Bar Puck Holder, Right Hand
8	5105WW	1" Nose Bar Weldment Assembly
9	500976	Nose Bar Puck Holder, Left Hand

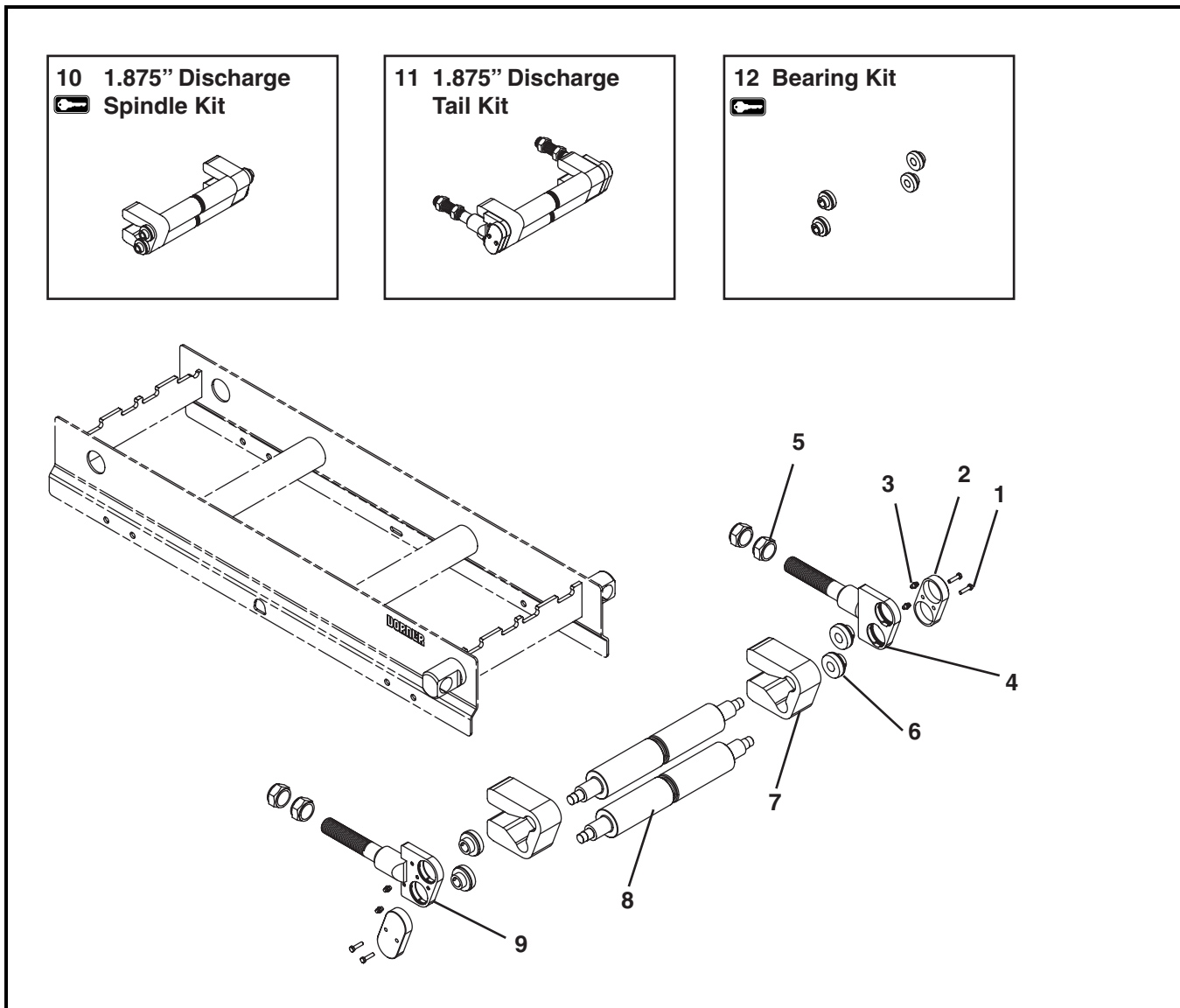
Item	Part Number	Description
10	501178	Pilot Nose Bolt
11	500977	Nose Bar Puck Holder, Center
12	76NB1-WW	1" Discharge Spindle Kit (Includes Items 3 through 7, 9 and 11)
13	76NBD1-WW	1" Discharge Tail Kit (Includes Items 1 through 11)
14	76BK1-WW	Bearing Kit (Includes Items 3 and 5)

WW = Conveyor width ref: 06 - 60 in 02 increments

Item 6: 1" Nose Bar Spindle	
Width	Part Number
6" (152mm)	505107
8" (203mm)	505108
10" (254mm)	505109
12" (305mm)	505110
14" (356mm)	505103 (x2) & 505107
16" (406mm)	505103 (x2) & 505108
18" (457mm)	505103 (x2) & 505109
20" (508mm)	505103 (x2) & 505110
22" (559mm)	505104 (x2) & 505107
24" (610mm)	505104 (x2) & 505108
26" (660mm)	505104 (x2) & 505109
28" (711mm)	505104 (x2) & 505110
30" (762mm)	505106 (x2) & 505107
32" (813mm)	505106 (x2) & 505108
34" (864mm)	505106 (x2) & 505109
36" (914mm)	505106 (x2) & 505110
38" (965mm)	505104 (x4) & 505107
40" (1016mm)	505104 (x4) & 505108
42" (1067mm)	505104 (x4) & 505109
44" (1118mm)	505104 (x4) & 505110
46" (1168mm)	505105 (x4) & 505107
48" (1219mm)	505105 (x4) & 505108
50" (1270mm)	505105 (x4) & 505109
52" (1321mm)	505105 (x4) & 505110
54" (1372mm)	505106 (x4) & 505107
56" (1422mm)	505106 (x4) & 505108
58" (1473mm)	505106 (x4) & 505109
60" (1524mm)	505106 (x4) & 505110

Service Parts

1.875" Nose Bar Discharge End

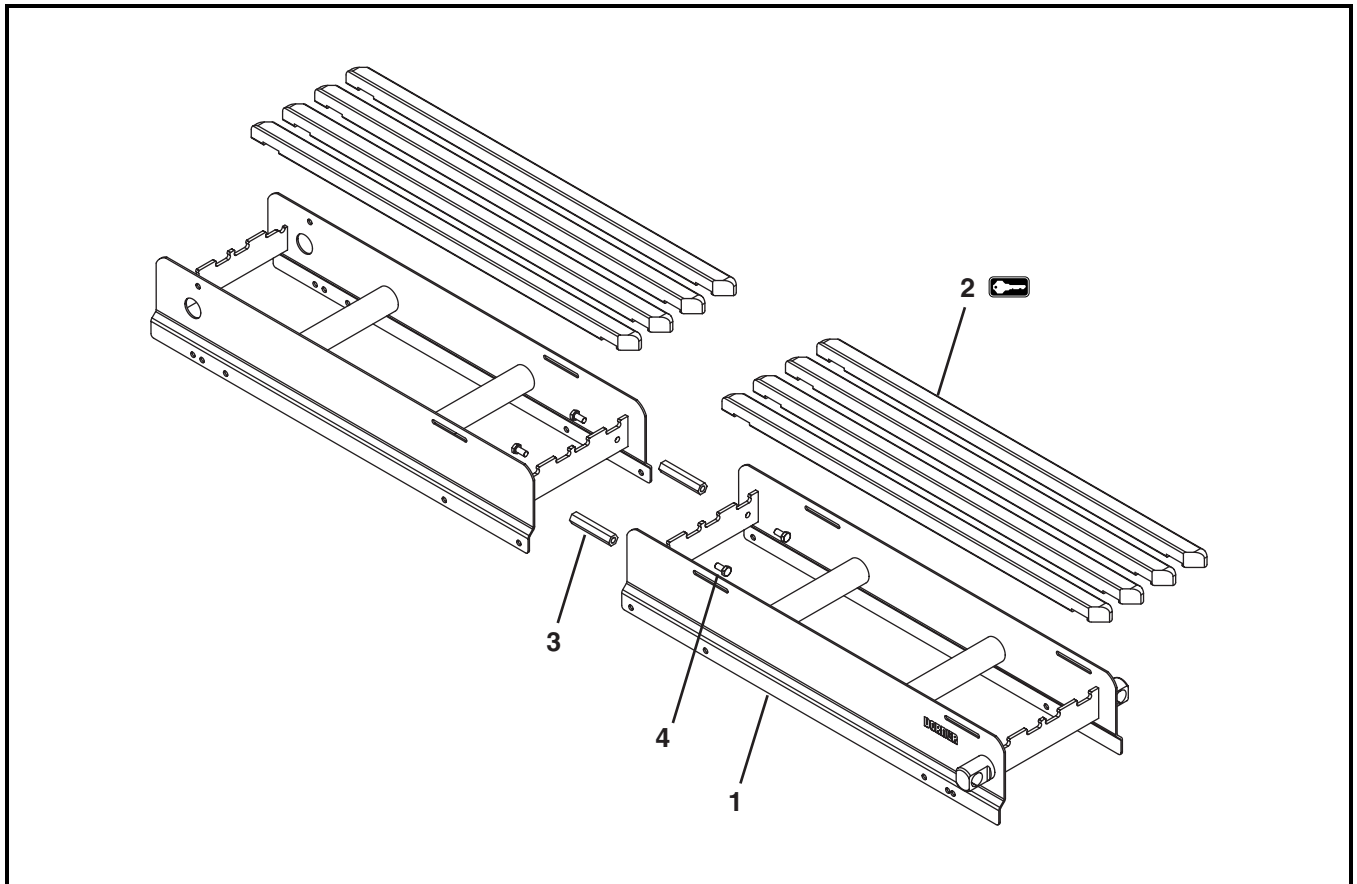


Item	Part Number	Description
1	960520MSS	Hex Head Cap Screw M5-0.8 x 20mm
2	501085	Transfer Bearing Cover
3	810-187	Grease Fitting
4	501089	1.875" Discharge Nose Bar Shaft Assembly Right Hand
5	500791	Nut
6	802-171	Bearing
7	501081	Pinch Guard block

Item	Part Number	Description
8	5101WW	1.875" Nose Bar Spindle
9	501090	1.875" Discharge Nose Bar Shaft Assembly Left Hand
10	76NB2-WW	1.875" Discharge Spindle Kit (Includes Items 6 through 8)
11	76NBD2-WW	1.875" Discharge Tail Kit (Includes Items 1 through 9)
12	76BK2-WW	Bearing Kit (Includes Item 6)

WW = Conveyor width ref: 06 - 60 in 02 increments

Conveyor Frame and Extensions with Standard Wear Strips

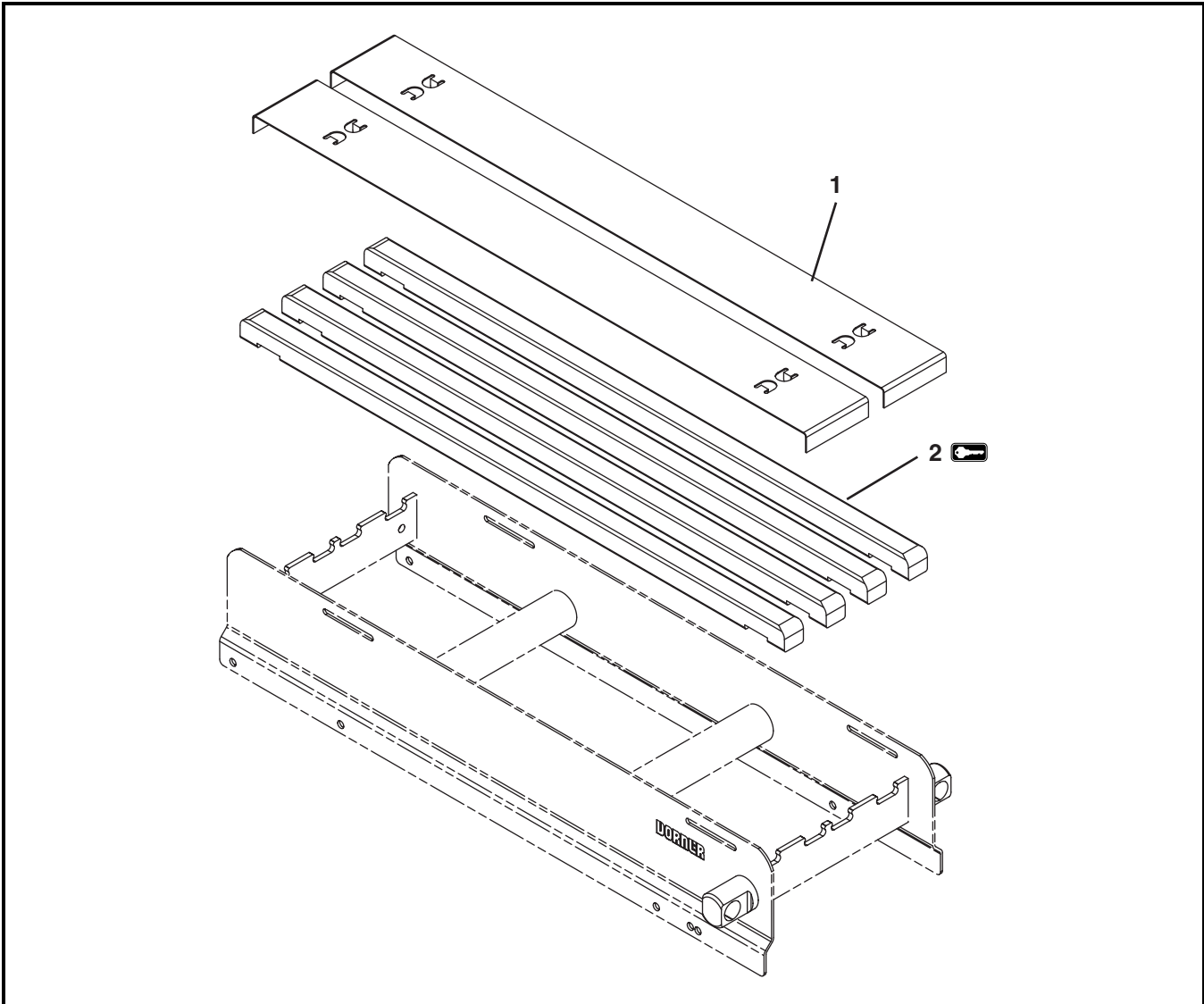


Item	Part Number	Description
1	-----	Consult Factory for Frame Part Number
2	501800-LLL	Wear Strip

Item	Part Number	Description
3	500193	Hex Post Connector
4	961020MSS	Hex Head Cap Screw M10-1.5 x 20 mm
LLL = Conveyor length ref: 036 - 480 in 001 increments		

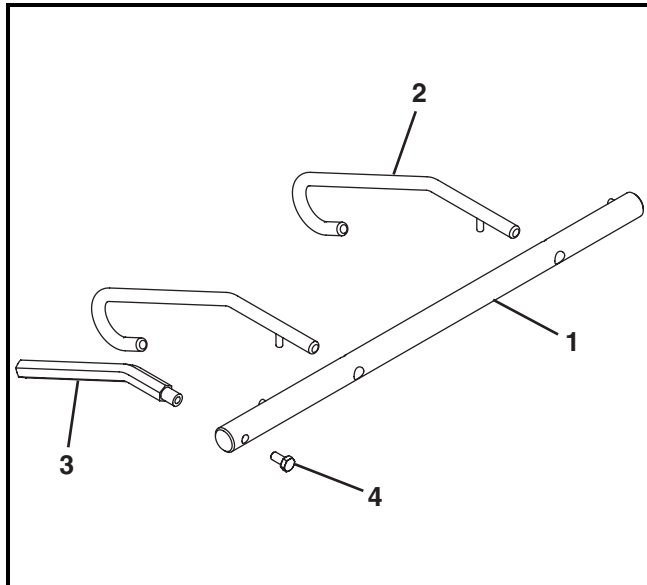
Service Parts

Wear Strips with Stainless Steel Sheet Bed Plate



Item	Part Number	Description
1	5123 <u>WW</u> - <u>LLL</u>	Bed Plate
2	501098- <u>LLL</u>	Wear Strip
<u>WW</u> = Conveyor width ref: 06 - 60 in 02 increments <u>LLL</u> = Conveyor length ref: 036 - 480 in 001 increments		

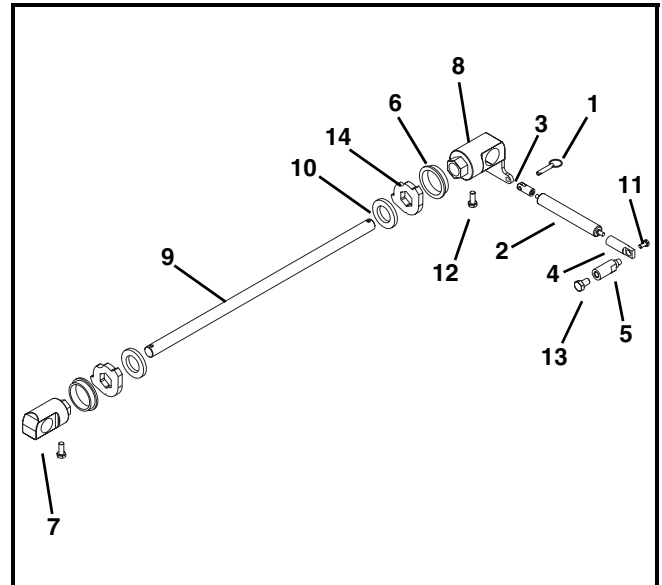
Lifters



Item	Part Number	Description
1	5121WW	Belt Lifter Shaft
2	500195	Belt Lifter
3	500491	Belt Lifter Handle
4	960812MSS	Hex Head Cap Screw M8-1.25 x 12 mm

WW = Conveyor width ref: 06 - 60 in 02 increments

Gas Assisted Tip Up

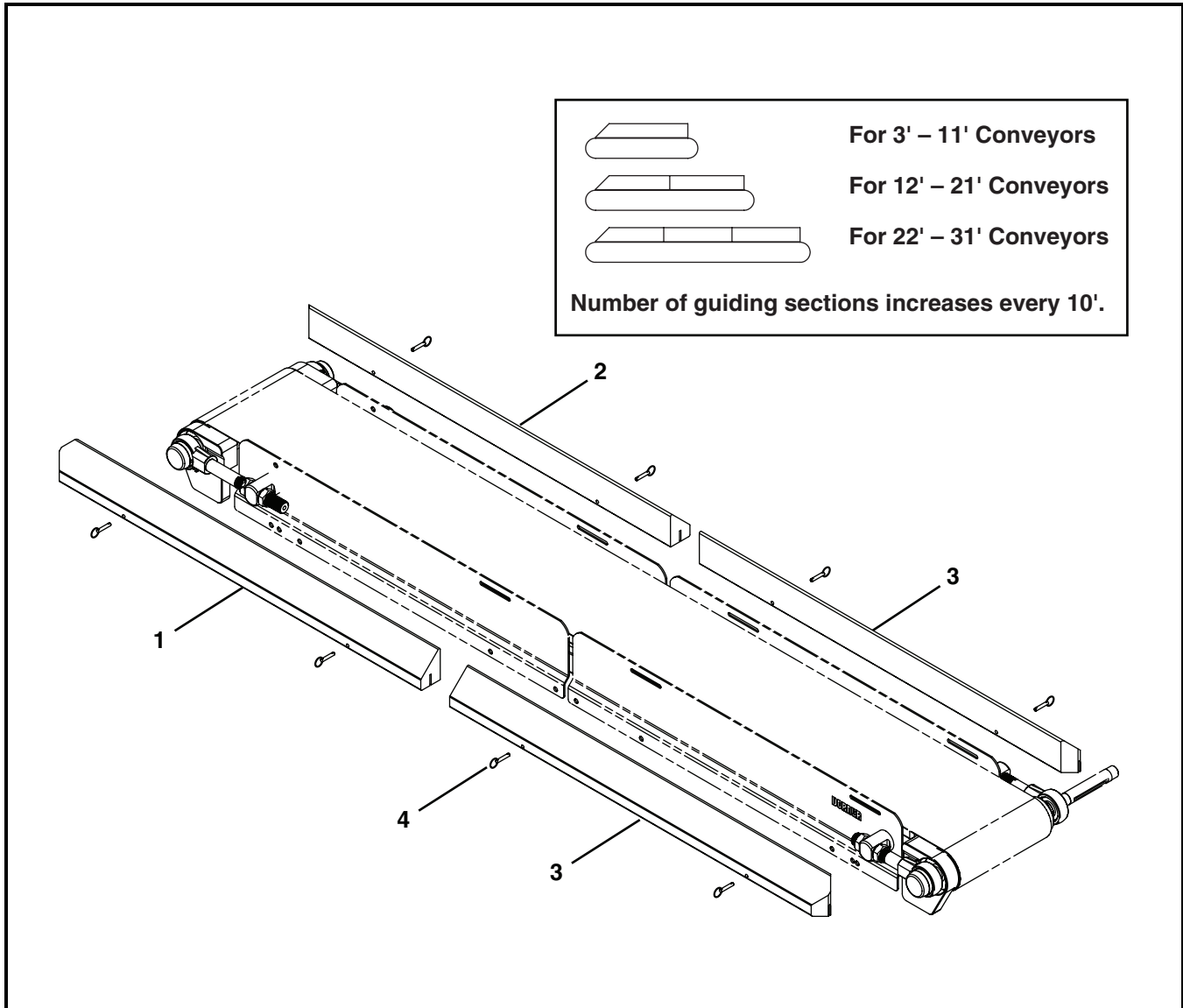


Item	Part Number	Description
1	807-1553	Pin
2	807-1562	Gas Spring
3	500792	Gas Spring Clevis
4	500793	Gas Spring Eyelet
5	500794	Gas Spring Stand Off Post
6	500895	Tip Up Bushing
7	506318	Tip Up Knob
8	506329	Tip Up Knob Assembly
9	500792	Tip Up Shaft
10	514373	Spacer
11	960612MSS	Hex Head Cap Screw, M6-1.00 x 12 mm
12	960820MSS	Hex Head Cap Screw, M8-1.25 x 20 mm
13	961015MSS	Hex Head Cap Screw, M10-1.50 x 16 mm
14	506356	Key Stop

WW = Conveyor width ref: 18 - 60 in 02 increments

Service Parts

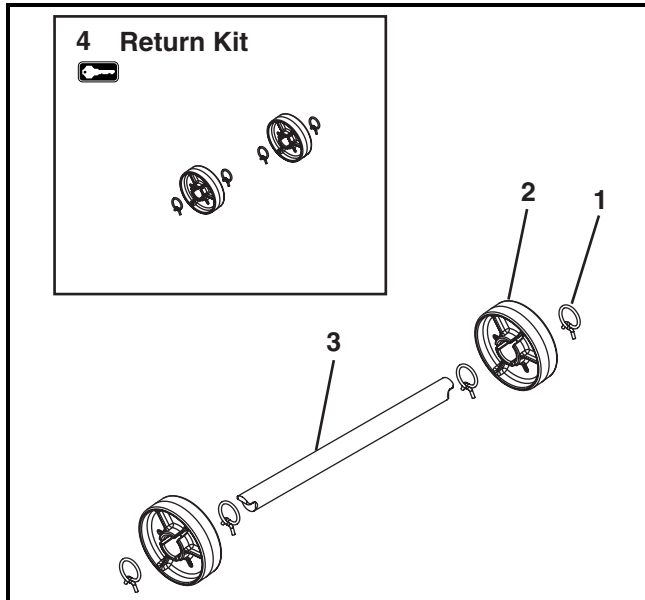
3" High Sides



Item	Part Number	Description
1	503460-LLLLL	High Side Guide for Conveyors 3'-11' Long
	503550-LLLLL	High Side Right Hand Guide for Conveyors over 11' Long
2	503460-LLLLL	High Side Guide for Conveyors 3'-11' Long

Item	Part Number	Description
3	503650-LLLLL	High Side Right Hand Guide for Conveyors over 11' Long
	503450-LLLLL	High Side Guide Square End
4	807-1553	Pull Pin
LLLLL = Guide Length in inches with 2 decimal places.		
Example: Guide Length = 95.25" LLLLL = 09525		

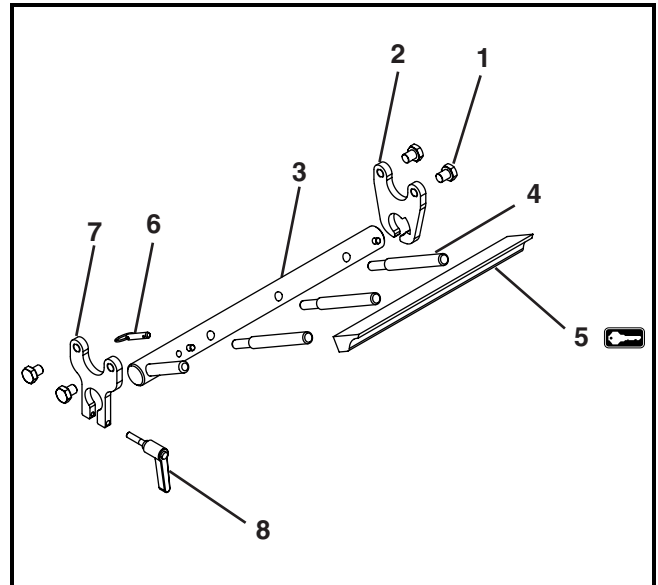
Flat Belt Returns



Item	Part Number	Description
1	807-1551	Clamp
2	506296	Return Disk
3	5108WW	Return Shaft
4	76R-WW	Return Kit (Includes Items 1 and 2)

WW = Conveyor width ref: 06 - 60 in 02 increments

Scraper



Item	Part Number	Description
1	961012MSS	Hex Head Cap Screw M10-1.50 x 12 mm
2	500878	Scraper Adjust Plate
3	5102WW	Scraper Shaft Assembly
4	500881	Scraper Holder Bar
5	5047WW	Scraper Wear Bar
6	807-1553	Pull Pin
7	500879	Scraper Mount Plate
8	807-1559	Handle

WW = Conveyor width ref: 06 - 60 in 02 increments

Service Parts

Configuring Conveyor Belt Part Number



76M WW-LLL SS C D G BB FLAT BELT

Figure 103

Flat Belt Part Number Configuration

Refer to model number on the conveyor frame (**Figure 103**). From the model number determine the conveyor width (WW), length (LLL), drive/tail types (A) and belt type (BB). Use data to configure belt part number as indicated below.
*Add "V" for v-guided belts.

76-WW LLL A / BB V*
76-_____ / _____ V*
(Fill In)

Return Policy

Returns must have prior written factory authorization or they will not be accepted. Items that are returned to Dorner without authorization will not be credited nor returned to the original sender. When calling for authorization, please have the following information ready for the Dorner factory representative or your local distributor:

1. Name and address of customer.
2. Dorner part number(s) of item(s) being returned.
3. Reason for return.
4. Customer's original order number used when ordering the item(s).
5. Dorner or distributor invoice number (if available, part serial number).

A representative will discuss action to be taken on the returned items and provide a Returned Goods Authorization (RMA) number for reference. RMA will automatically close 30 days after being issued. To get credit, items must be new and undamaged. There will be a return charge on all items returned for credit, where Dorner was not at fault. It is the customer's responsibility to prevent damage during return shipping. Damaged or modified items will not be accepted. The customer is responsible for return freight.

Conveyors and conveyor accessories

Standard catalog conveyors	30%
MPB, 7200, 7300 Series, cleated and specialty belt	50%
AquaGard & AquaPruf Series conveyors	non-returnable items
Engineered to order products	case by case
Drives and accessories	30%
Sanitary stand supports	non-returnable items

Parts

Standard stock parts	30%
Plastic chain, cleated and specialty belts	non-returnable items

Returns will not be accepted after 60 days from original invoice date. The return charge covers inspection, cleaning, disassembly, disposal and reissuing of components to inventory. If a replacement is needed prior to evaluation of returned item, a purchase order must be issued. Credit (if any) is issued only after return and evaluation is complete.

Dorner has representatives throughout the world. Contact Dorner for the name of your local representative. Our Customer Service Team will gladly help with your questions on Dorner products.

For a copy of Dorner's Warranty, contact factory, distributor, service center or visit our website at www.dorner.com.

For replacement parts, contact an authorized Dorner Service Center or the factory.



Dorner Mfg. Corp. reserves the right to change or discontinue products without notice. All products and services are covered in accordance with our standard warranty. All rights reserved. © Dorner Mfg. Corp. 2009

DORNER MFG. CORP.

975 Cottonwood Ave., PO Box 20
Hartland, WI 53029-0020 USA
TEL 1-800-397-8664 (USA)
FAX 1-800-369-2440 (USA)
Internet: www.dorner.com

Outside the USA:
TEL 1-262-367-7600
FAX 1-262-367-5827