

DORNER[®]

*Aqua***Gard**[™]

7350 Series End Drive Curved Conveyors

Installation, Maintenance and Parts Manual



DORNER MFG. CORP.
P.O. Box 20 • 975 Cottonwood Ave.
Hartland, WI 53029-0020 USA

INSIDE THE USA
TEL: 1-800-397-8664
FAX: 1-800-369-2440

OUTSIDE THE USA
TEL: 262-367-7600
FAX: 262-367-5827

For other service manuals visit our website at:
www.dorner.com/service_manuals.asp

Table of Contents

Introduction	2	Maintaining the Conveyor Belt	16
Warnings – General Safety	3	Troubleshooting	16
Product Description	4	Conveyor Belt Replacement	17
Specifications	4	Conveyor Belt Tensioning	17
7350 Series Curve Conveyor Modules	5	Wear Strips	18
7350 Series Infeed / Idler Module	5	Bar Cap Replacement	18
7350 Series Curve Module	5	Wear Strip Removal	18
7350 Series Intermediate Module	5	Belt Guides	19
7350 Series Exit / Drive Module	5	Removal	19
7350 Series Z-Frame Conveyor Modules	6	Drive Sprocket and Spindle Replacement	20
7350 Series Infeed Section to Knuckle	6	Idler Puck and Spindle Replacement	21
7350 Series Mid Section between two Knuckles	6	Bearing Replacement	22
7350 Series Mid Section between Knuckle and Curve	6	Drive Bearing Removal and Replacement	22
7350 Series Discharge Section from Knuckle	6	Maintenance of Knuckles	22
Conveyor Supports	7	Lower Knuckle	22
Installation	8	Upper Knuckle	23
Required Tools	8	Notes	25
Recommended Installation Sequence	8	Service Parts	26
Conveyors Longer than 10 ft (3048 mm)	8	Drive End Components	26
Connecting Components	8	Idler End Components	28
Z-Frame Conveyors	9	Frame Assembly	29
Knuckles	9	Curve Conveyor Frame and Wear Strips	30
Upper Knuckle	9	Upper Knuckle	31
Lower Knuckle	9	Lower Knuckle	32
All Conveyors	10	Connecting Assembly	33
Curve Connecting Components	10	Fully Adjustable Round Guides	34
Stand Installation	11	Tool-Less Fully Adjustable Round Guides	35
Belt Installation	12	Twin Rail Adjustable Round Guides	36
Belt Returns	14	Tool-Less Twin Rail Adjustable Round Guides	37
Guide Installation	14	Fully Adjustable 1" (25 mm) Flat Guides	38
Drive Package Installation	15	Tool-Less Fully Adjustable 1" (25 mm) Flat Guides	39
Preventive Maintenance and Adjustment	16	Belt Returns	40
Required Tools	16	Ordering a Replacement Chain	40
Checklist	16	Flat Belt Chain Repair Kit	40
Cleaning	16	Notes	41
Lubrication	16	Return Policy	42

Introduction

⚠ CAUTION

Some illustrations may show guards removed. DO NOT operate equipment without guards.


Upon receipt of shipment:

- Compare shipment with packing slip. Contact factory regarding discrepancies.
- Inspect packages for shipping damage. Contact carrier regarding damage. Accessories may be shipped loose.
- See accessory instructions for installation.

The Dorner Limited Warranty applies.

Dorner 7350 Series conveyors have patents pending.

Dorner reserves the right to make changes at any time without notice or obligation.

Dorner has convenient, pre-configured kits of Key Service Parts for all conveyor products. These time saving kits are easy to order, designed for fast installation, and guarantee you will have what you need when you need it. Key Parts and Kits are marked in the Service Parts section of this manual with the Performance Parts Kits logo .


Warnings – General Safety

⚠ DANGER



SEVERE HAZARD!
KEEP OFF CONVEYORS. Climbing, sitting, walking or riding on conveyor will result in death or serious injury.


⚠ DANGER



EXPLOSION HAZARD!

- **DO NOT OPERATE CONVEYORS IN AN EXPLOSIVE ENVIRONMENT.** The electric gearmotor generates heat and could ignite combustible vapors.
- Failure to comply will result in death or serious injury.

⚠ WARNING



CRUSH HAZARD!

- **DO NOT** place hands or fingers inside the conveyor while it is running.
- **DO NOT** wear loose garments while operating the conveyor. Loose garments can become caught up in the conveyor.
- Failure to comply could result in serious injury.

⚠ WARNING



CRUSH HAZARD!


- **SUPPORT CONVEYOR SECTIONS PRIOR TO LOOSENING STAND HEIGHT OR ANGLE ADJUSTMENT SCREWS.**
- Loosening stand height or angle adjustment screws may cause conveyor sections to drop down, causing serious injury.

⚠ WARNING




SEVERE HAZARD!
LOCK OUT POWER before removing guards or performing maintenance. Exposed moving parts can cause serious injury.

⚠ WARNING




BURN HAZARD!
DO NOT TOUCH the motor while operating, or shortly after being turned off. Motors may be **HOT** and can cause serious burn injuries.

⚠ WARNING



PUNCTURE HAZARD!
 Handle drive shaft keyway with care. It may be sharp and could puncture the skin, causing serious injury.

⚠ WARNING



SEVERE HAZARD!

- Dorner cannot control the physical installation and application of conveyors. Taking protective measures is the responsibility of the user.
- When conveyors are used in conjunction with other equipment or as part of a multiple conveyor system, **CHECK FOR POTENTIAL PINCH POINTS** and other mechanical hazards before system start-up.
- Failure to comply could result in serious injury.

Product Description

Refer to (Figure 1) for typical conveyor components.

Typical Components	
1	Conveyor
2	Gearmotor
3	Belt
4	Support Stands
5	Drive End
6	Idler End

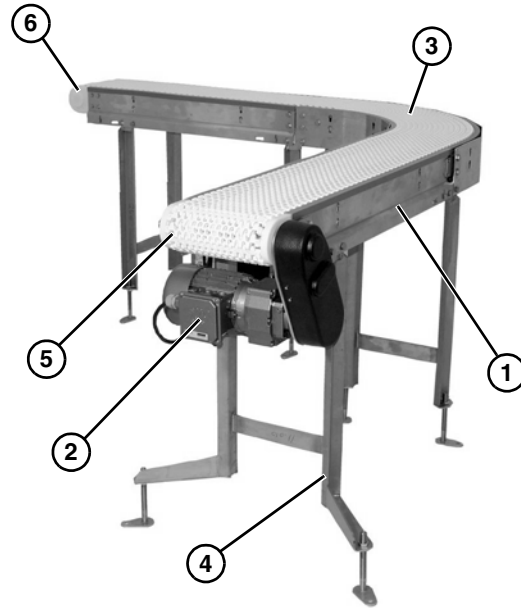


Figure 1

Specifications

Conveyor Width Reference (<u>WW</u>)	04 – 36 in 02 increments
Conveyor Belt Width	4" (102 mm) - 36" (914 mm) in 2" (51 mm) increments
Maximum Conveyor Load	20 lbs. / ft ² (97 kg/ m ²) with a maximum of 300 lbs. (136 kg)
Belt Travel	12" (305 mm) per revolution of pulley
Maximum Belt Speed	260 ft/minute (79 m/minute)
Conveyor Length Reference (<u>LLL</u>)	036 – 999 in 001 increments
Conveyor Length	36" (914 mm) - 999" (25.4 m) in 1" (25 mm) increments

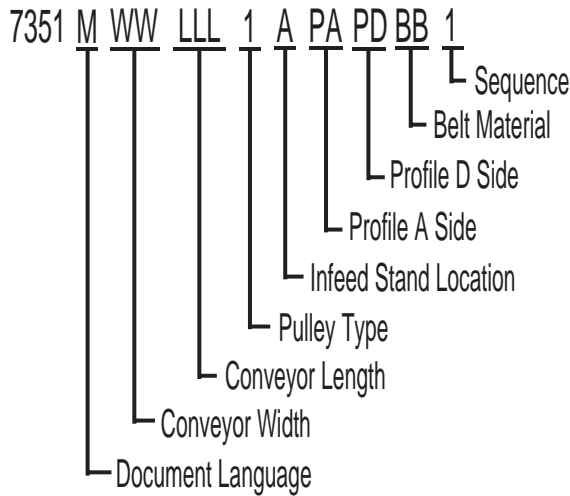
IMPORTANT

Maximum conveyor loads are based on:

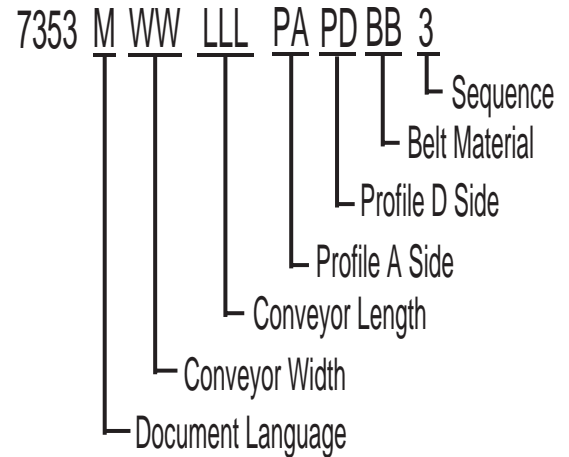
- Non-accumulating product
- Product moving toward gearmotor
- Conveyor being mounted horizontally
- Conveyor being located in a dry environment
- Conveyor equipped with standard belt only

7350 Series Curve Conveyor Modules

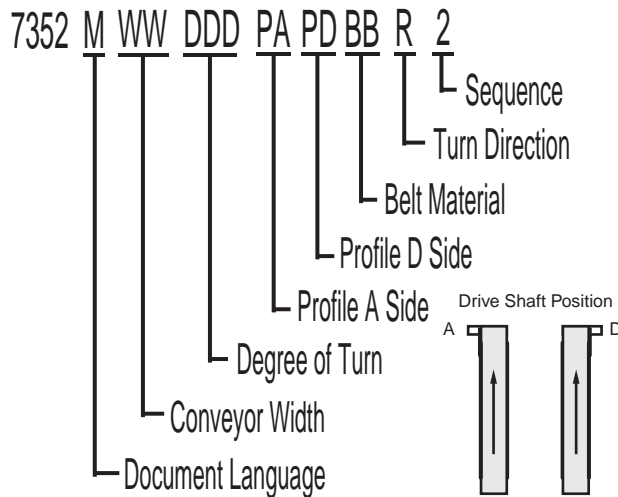
7350 Series Infeed / Idler Module



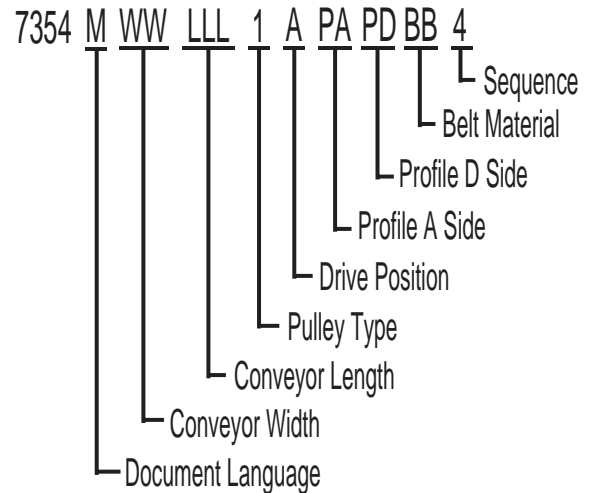
7350 Series Intermediate Module



7350 Series Curve Module



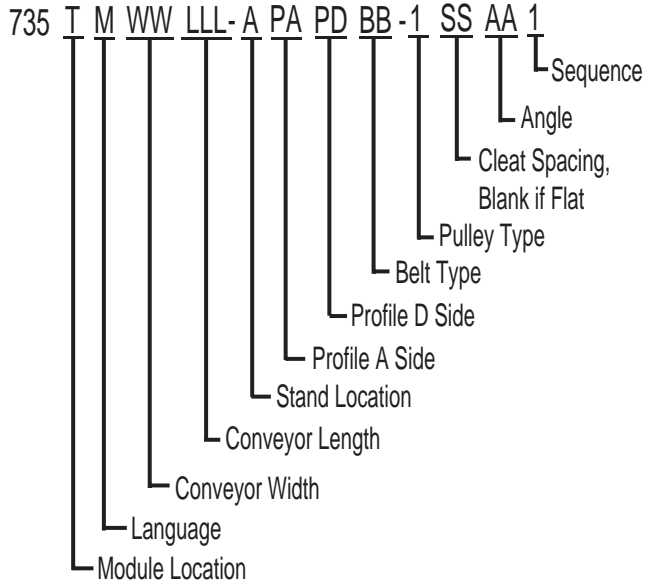
7350 Series Exit / Drive Module



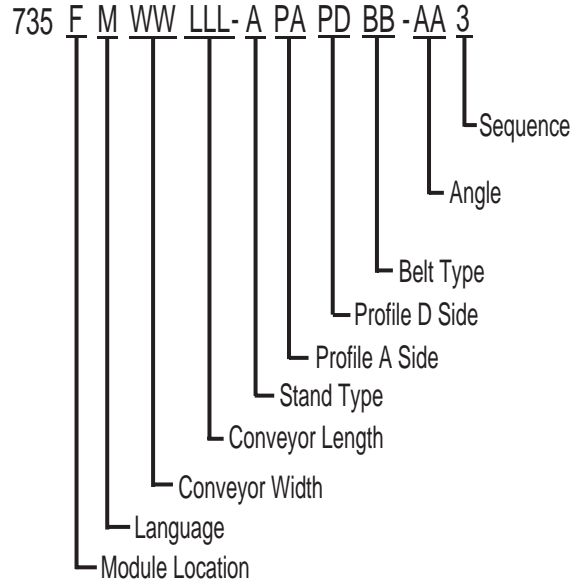
Specifications

7350 Series Z-Frame Conveyor Modules

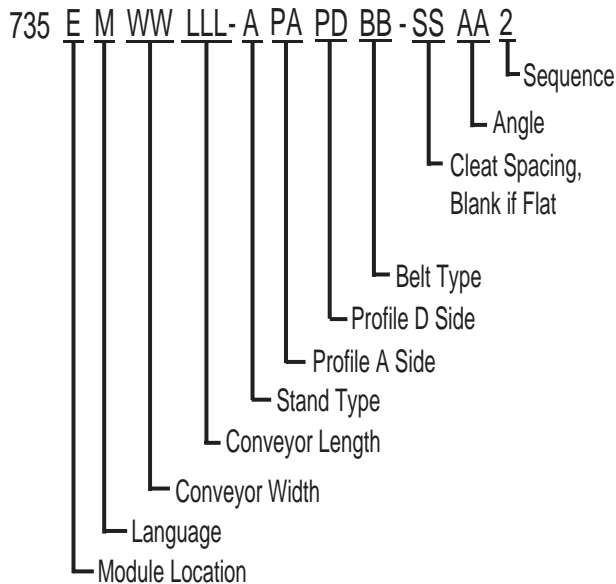
7350 Series Infeed Section to Knuckle



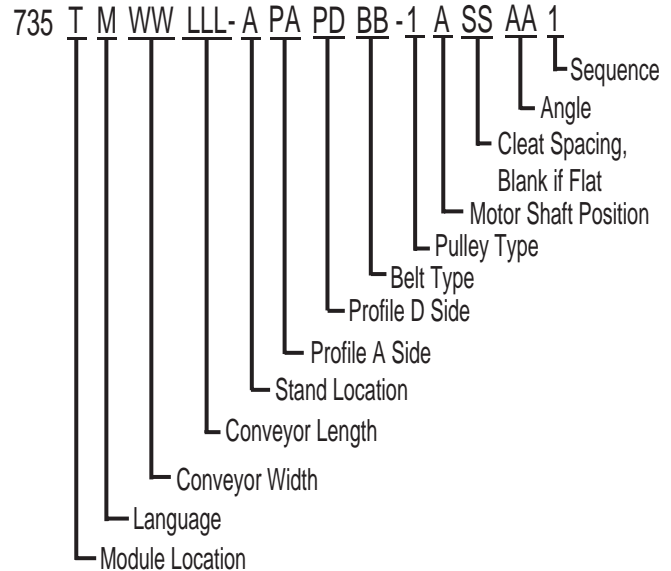
7350 Series Mid Section between Knuckle and Curve



7350 Series Mid Section between two Knuckles



7350 Series Discharge Section from Knuckle



Conveyor Supports

Infeed / Idler Module:

- “A” = 30" (762 mm) maximum (See Figure 2)
- Modules 24" - 47" long get 1 support stand
- All other lengths get 2 support stands, plus an additional support stand at each straight section break (over 13' straight frame module)

Intermediate Module:

- Modules 24" - 59" long get 1 support stand
- All other lengths get 2 support stands, evenly spaced, plus an additional support stand at each straight section break (modules over 13')

Exit / Drive Module:

- “B” = 24" (510 mm) maximum (See Figure 2)
- Modules 24" - 47" long get 1 support stand
- All other lengths get 2 support stands, plus an additional support stand at each straight section break (modules over 13')

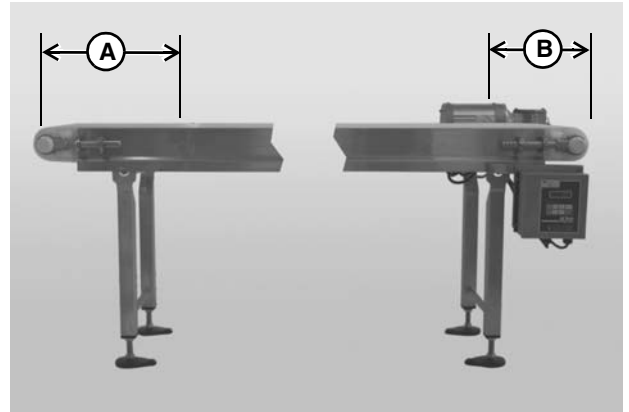


Figure 2

Curve Module:

- Reference chart for support stand quantities (See Figure 3)

Degree/Width	4"	6"	8"	10"	12"	14"	16"	18"	20"	22"	24"	26"	28"	30"	32"	34"	36"
45°	0	0	0	0	0	0	0	0	0	0	0	0	0	0	0	0	0
90°	0	0	0	0	1	1	1	1	1	1	1	1	1	1	1	1	1
135°	0	0	1	1	2	2	2	2	2	2	2	2	2	2	2	2	2
180°	0	0	1	1	3	3	3	3	3	3	3	3	3	3	3	3	3

Figure 3

Installation

CAUTION

Conveyor **MUST** be mounted straight, flat and level within confines of conveyor. Use a level (Figure 4, item 1) during setup.

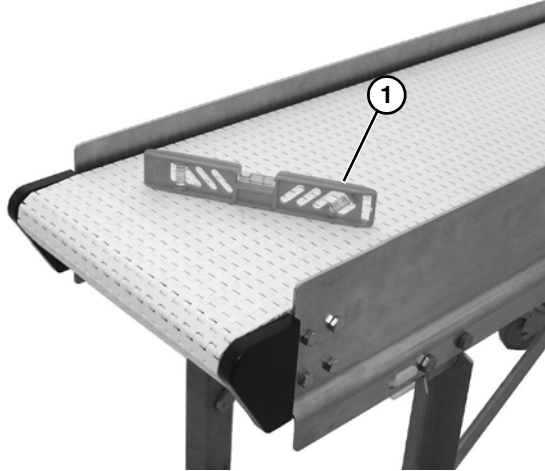


Figure 4

Required Tools

- Level
- Torque wrench
- 5/32" hex wrench (for bearings)
- 13 mm wrench (for tail assemblies)
- 14 mm wrench (for motor mounts)
- 17 mm wrench (for stands)

Recommended Installation Sequence

1. Assemble the conveyor (if required). Refer to "Conveyors Longer than 10 ft (3048 mm)" on page 8 or "Belt Installation" on page 12.
2. Attach the stands. Refer to "Stand Installation" on page 11.
3. Install the belt. Refer to "Belt Installation" on page 12.
4. Install the gearmotor. Refer to "Drive Package Installation" on page 15.

Conveyors Longer than 10 ft (3048 mm)

Connecting Components

Typical Connecting Components (Figure 5).

1	Connector Plate (x2)
2	Hex Head Cap Screw M10-1.50 x 12mm (x4)
3	Conveyor Frames

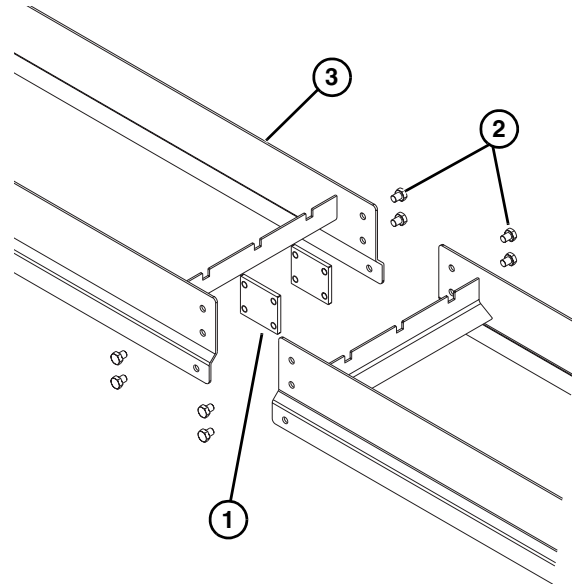


Figure 5

1. Join both conveyor sections, and install plate frame connectors (Figure 5, item 1), and secure with M10x12 hex head cap screws (Figure 5, item 2) on both sides.

Z-Frame Conveyors

NOTE

Be sure all frame sections are properly supported during Z-Frame assembly.

Knuckles

Upper Knuckle

1. Attach upper knuckle (**Figure 6, item 1**) to frame (**Figure 6, item 2**) by using two cap screws (**Figure 6, item 3**) and connector plate (**Figure 7, item 1**) on each side of conveyor.

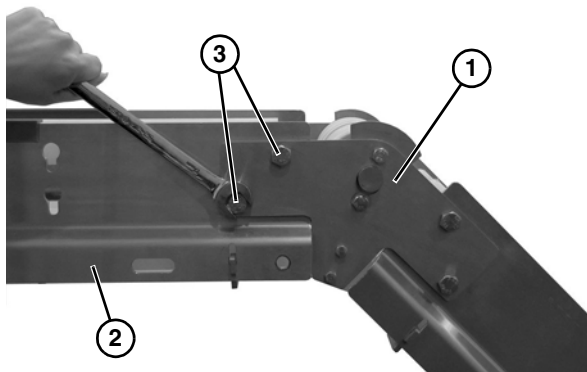


Figure 6

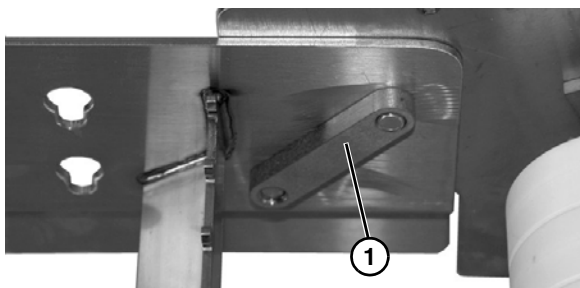


Figure 7

2. Attach bar cap (**Figure 8, item 1**) to frame and knuckle.

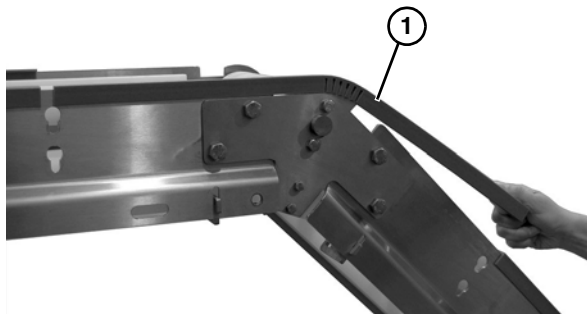


Figure 8

3. Tighten all cap screws to 60 in-lb (7 Nm).

Lower Knuckle

1. Attach lower knuckle (**Figure 9, item 1**) to frame (**Figure 9, item 2**) by using two cap screws (**Figure 9, item 3**) and connector plate (**Figure 10, item 1**) on each side of conveyor.

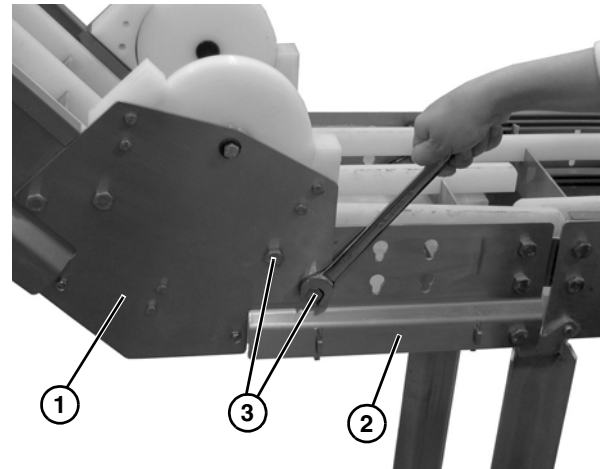


Figure 9

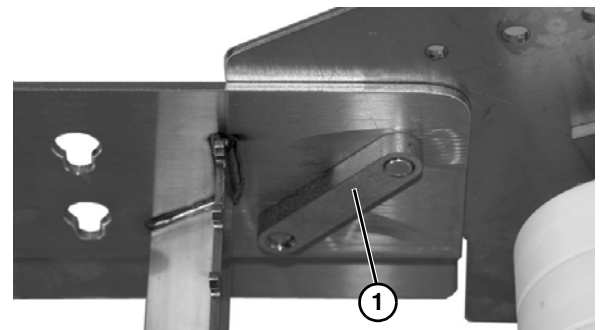


Figure 10

2. Tighten all cap screws to 60 in-lb (7 Nm).
3. Secure belt returns to lower knuckle with cap screw (**Figure 11, item 1**).

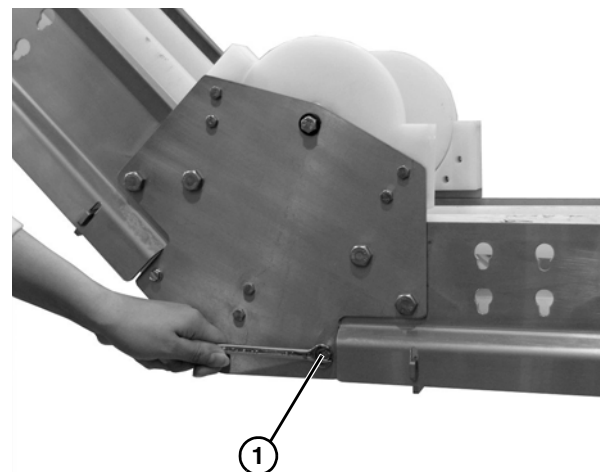


Figure 11

Installation

All Conveyors

Curve Connecting Components

Typical Curve Connecting Components (Figure 12)

1	Straight Section
2	Offset Connecting Plate (x2)
3	Curved Section
4	Hex Head Cap Screw M10-1.50 x 12mm (x4)

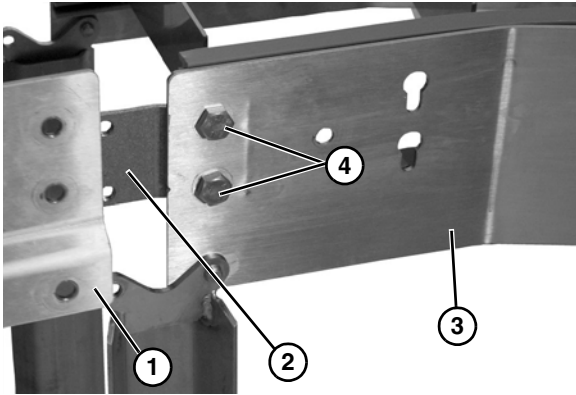


Figure 12

1. For joining curved to straight sections, install offset connecting plates onto curved section (Figure 13, item 1) with four hex head bolts (Figure 13, item 2) with heads of bolts outside of curved section.

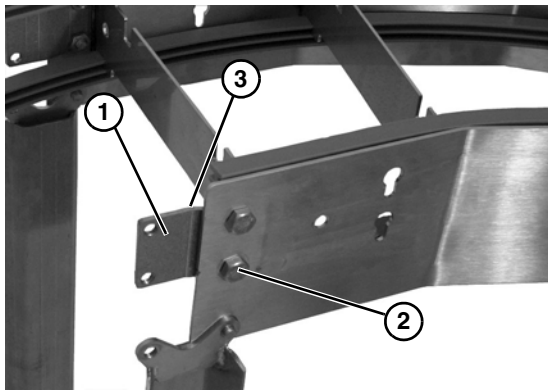


Figure 13

2. Ensure that the offset of connecting plates is to the inside of curved section (Figure 13, item 3).
3. When securing straight section to curved section on inside curve (Figure 14, item 1) make sure offset plate is to the inside of straight section (Figure 14, item 2).

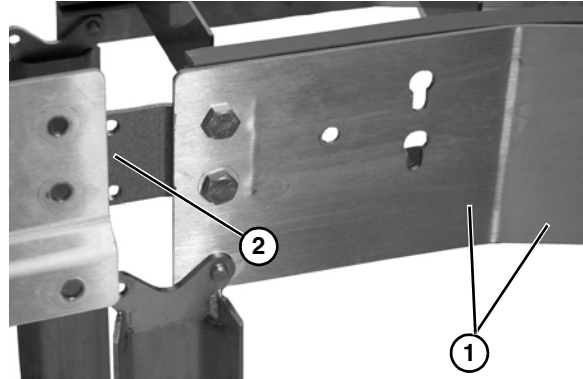


Figure 14

4. Secure straight section (Figure 15, item 1) onto curved section with two hex head bolts (Figure 15, item 2) with bolt heads to the outside as shown.

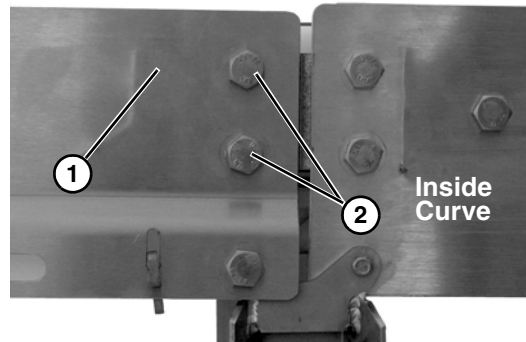


Figure 15

5. When securing straight section to curved section on outside curve (Figure 16, item 1) make sure offset plate (Figure 16, item 2) is to the outside of straight section.

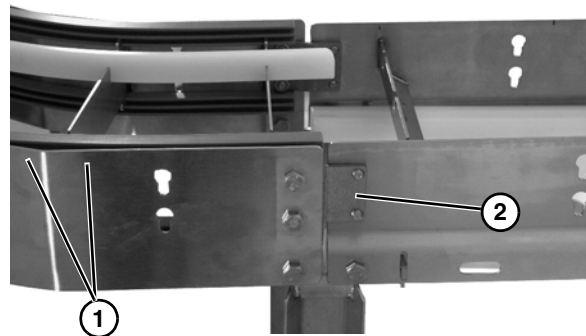


Figure 16

- Secure straight section (**Figure 17, item 1**) onto curved section with two hex head bolts (**Figure 17, item 2**) with bolt heads to the inside as shown.

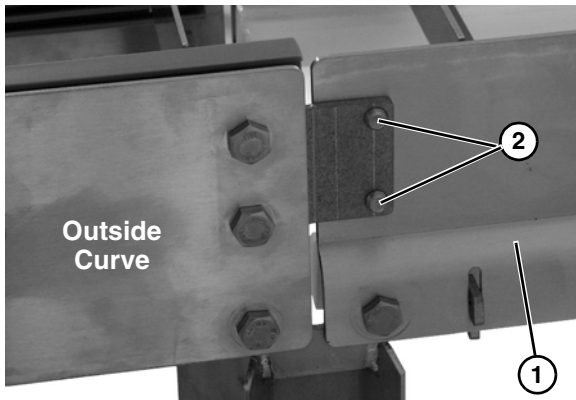


Figure 17

- Tighten all hardware.

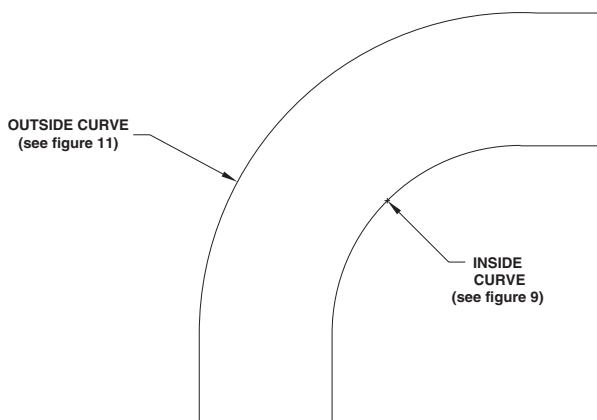


Figure 18

Stand Installation

NOTE

For detailed assembly instructions, please see support stand manual 851-683.

Typical stand components (**Figure 19**)

- | | |
|---|--|
| 1 | Conveyor Frame |
| 2 | Stand |
| 3 | M10 - 1.5 x 16 mm hex head cap screws (x4) |

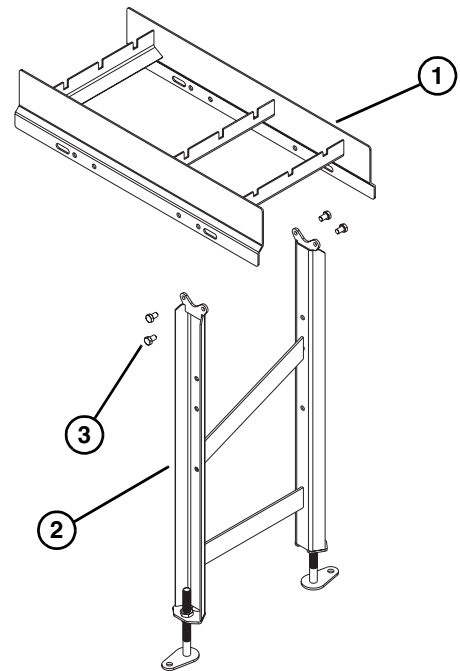


Figure 19

- Position the stands on a flat, level surface.
- Attach the stands to the frame (**Figure 20, item 1**).

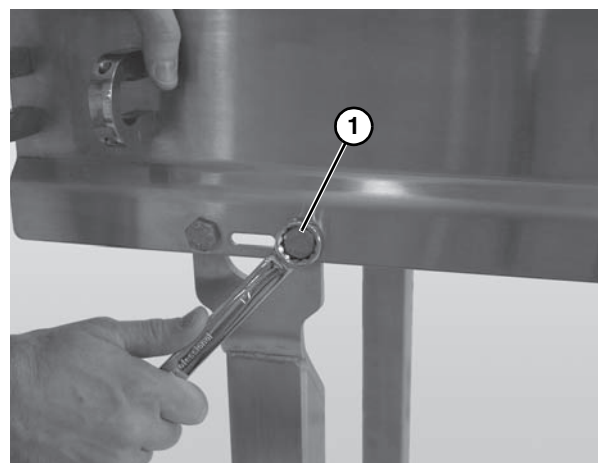


Figure 20

Installation

Belt Installation

Typical Belt Components (Figure 21)

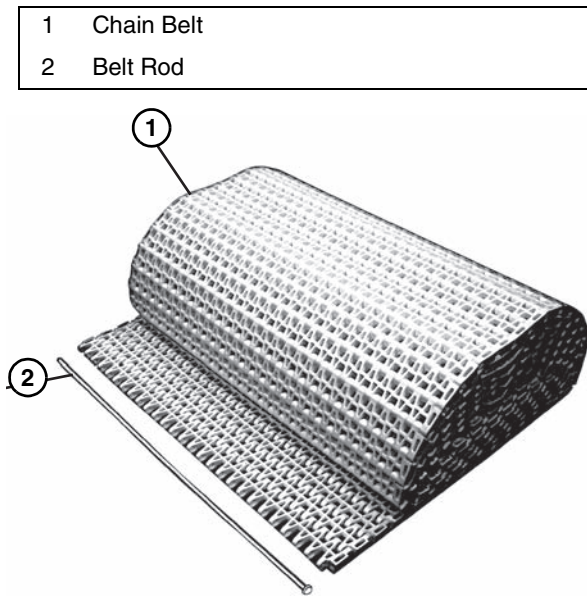


Figure 21

NOTE

Ensure the belt is running in the correct direction, with hole (Figure 22, item 1) towards conveyor motor.

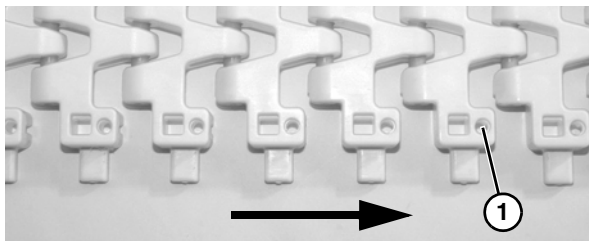


Figure 22

1. Position the belt on the conveyor frame (Figure 23).



Figure 23

2. Wrap belt around idler tail.

3. Feed the ends of the belt through the top and bottom of the curved frame sections (Figure 24).



Figure 24

4. Be sure belt tabs are seated in the lower channel of bottom belt guide (Figure 25, item 1) and upper channel of top belt guide (Figure 25, item 2).

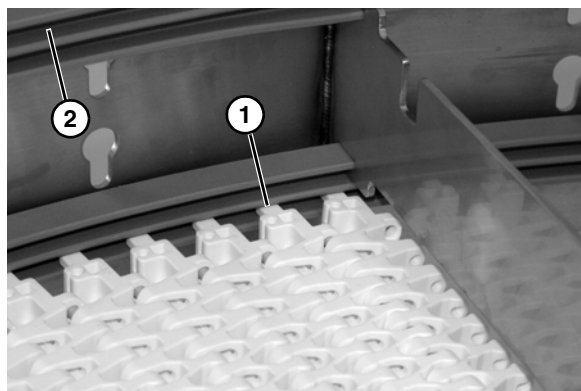


Figure 25

5. When feeding belt through straight section, be sure belt tabs ride on top lip of belt return (Figure 26, item 1).

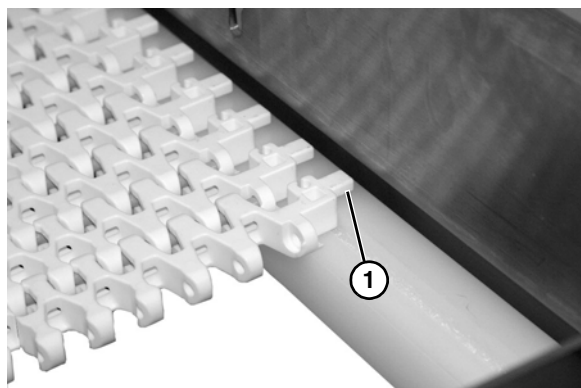


Figure 26

Installation

6. Wrap the belt around the drive end of the conveyor, making sure the sprocket teeth have engaged the belt, with concave teeth (**Figure 27, item 1**) mating with rounded section (**Figure 27, item 2**) of belt.

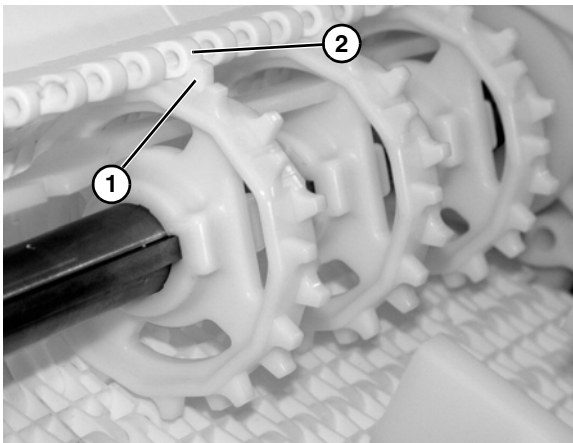


Figure 27

7. For Z-Frame conveyors, guide the belt under the hold down guides (**Figure 28, item 1**) in the lower knuckle.

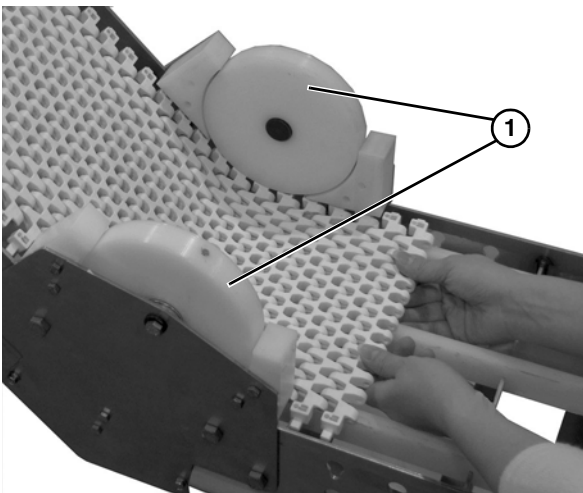


Figure 28

8. Bring the ends of the belt together (**Figure 29**).



Figure 29

9. Insert the belt rod (**Figure 30, item 1**).

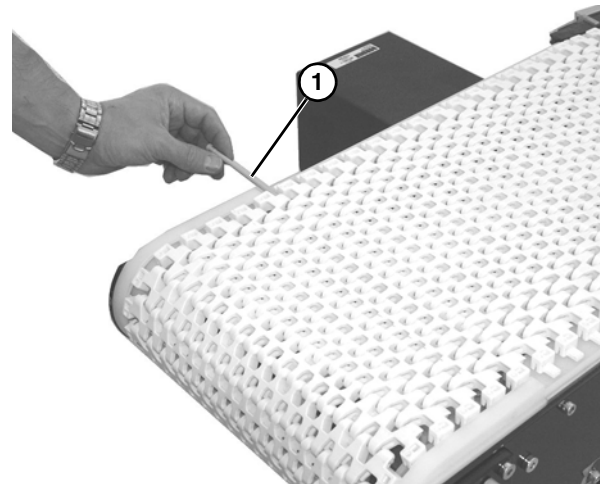


Figure 30

10. Push the belt rod in as far as possible.
11. Lightly tap the head of the rod with a hammer until it snaps into position.
12. Install the top bar caps (**Figure 31, item 1**) on the conveyor frame with wide lip facing up to cover the belt tabs.

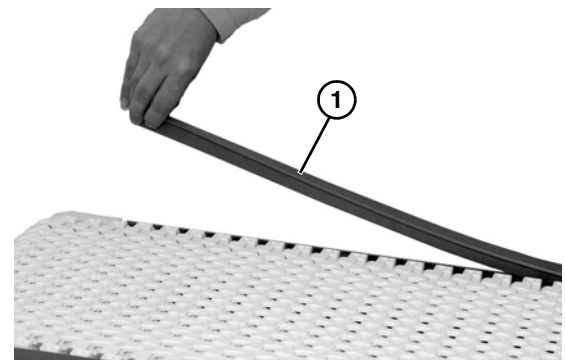


Figure 31



WARNING



CRUSH HAZARD!

Failure to install the top wear strip in the proper orientation will result in a belt pinch point. Exposed moving parts can cause serious injury.

Installation

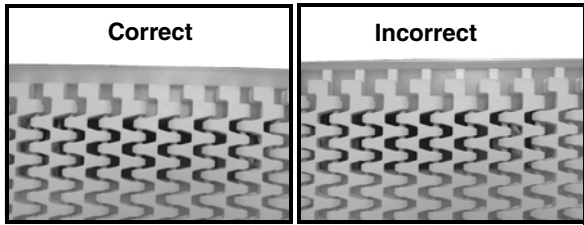


Figure 32

NOTE

Top wear strips are left loose to facilitate ease of belt installation and/or removal.

Belt Returns

1. Install belt return mounting bracket (Figure 33, item 1) into slotted frame hole (Figure 33, item 2).

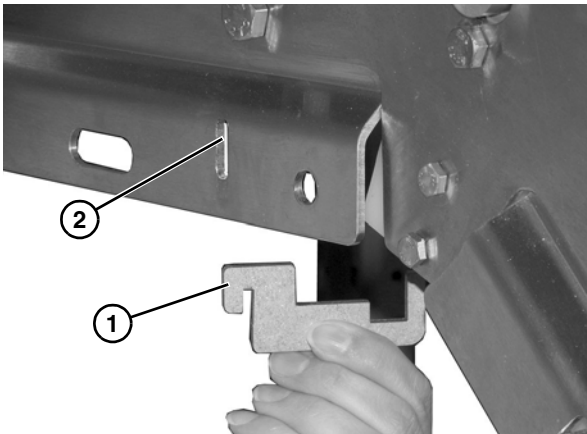


Figure 33

2. Install belt return (Figure 34, item 1) onto mounting bracket (Figure 34, item 2).

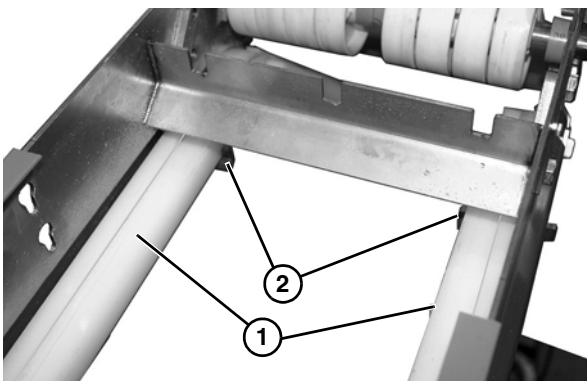


Figure 34

3. Verify that belt returns are mounted correctly by following graphic below (Figure 35) shows incorrect mounting and (Figure 36) shows correct mounting.

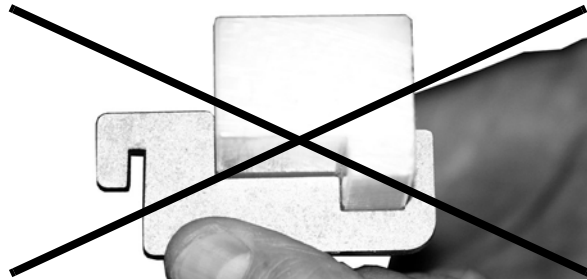


Figure 35

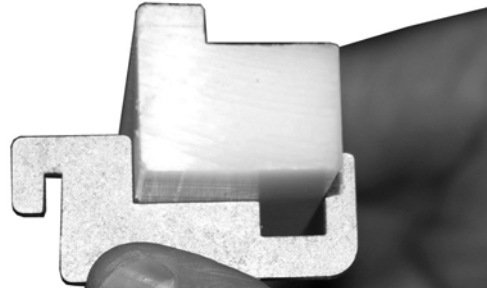


Figure 36

Guide Installation

1. Insert carriage bolts with spacers (Figure 37, item 1) into slotted holes in conveyor side.

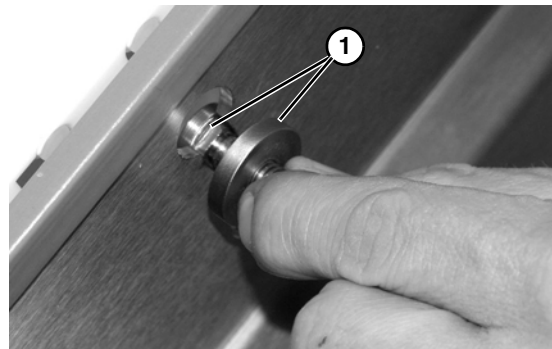


Figure 37

2. Attach the guide mounting brackets (**Figure 38, item 1**) to the conveyor with hex nuts (**Figure 38, item 2**). Hand tighten only at this time.

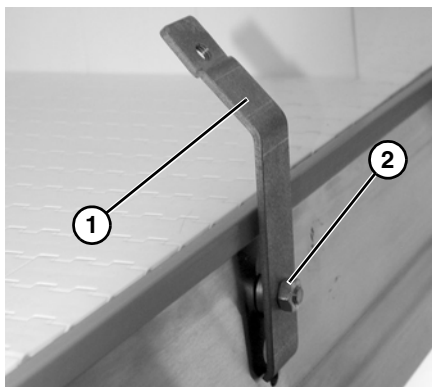


Figure 38

3. Attach guide (**Figure 39, item 1**) to the mounting brackets with hex bolts and spacers (**Figure 39, item 2**). Hand tighten only at this time.

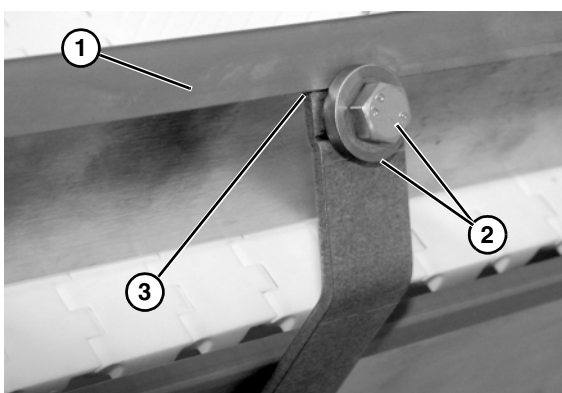


Figure 39

4. Ensure that nose of bracket slips under the lip of guide (**Figure 39, item 3**).

NOTE

*When installing guides, be sure that the angled end of guide is installed on the idler end of conveyor (**Figure 40, item 1**).*

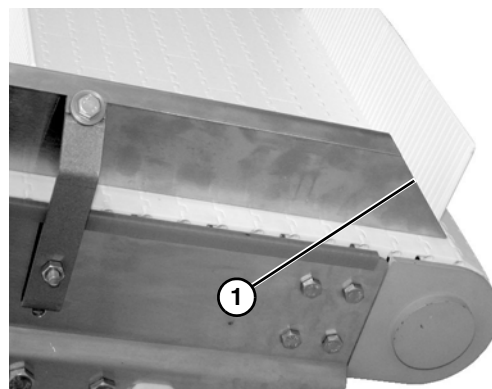


Figure 40

5. Tighten all mounting hardware.

Drive Package Installation

For detailed assembly instructions, refer to the appropriate Drive Packages Manual:

- 851-679 Side Mount 90° Drive Package
- 851-681 Bottom Mount 90° Drive Package
- 851-682 Bottom Mount Parallel Shaft Drive Package

1. Attach the motor (**Figure 41, item 1**) to the gear reducer (**Figure 41, item 2**).

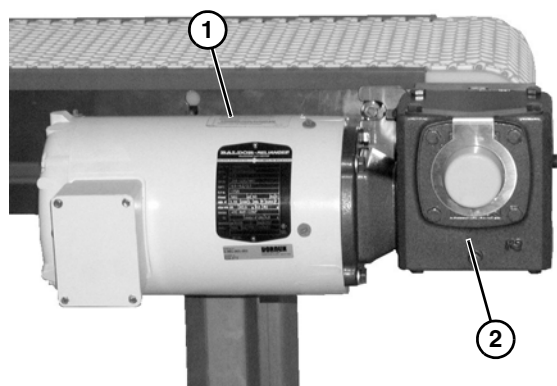


Figure 41

Preventive Maintenance and Adjustment

Required Tools

- 4 mm hex wrench
- 5 mm hex wrench
- 6 mm hex wrench
- 8 mm hex wrench
- Punch and hammer (to remove belt rod)

Checklist

- Keep service parts on hand. Refer to the "Service Parts" section starting on page 26 for recommendations.
- Replace any worn or damaged parts.

Cleaning

NOTE
<i>Proper conveyor application, cleaning, and sanitation are the responsibility of the end user.</i>

CAUTION
Dorner recommends cleaning all the "food zones" prior to placing conveyor into service. Ensure adequate access is provided for cleaning and servicing equipment so that the required level of hygiene can be maintained.

 WARNING

SEVERE HAZARD! LOCK OUT POWER before removing guards or performing maintenance. Exposed moving parts can cause serious injury.



Lubrication

No lubrication is required. Replace bearings if worn.

Maintaining the Conveyor Belt

Troubleshooting

NOTE
<i>Visit www.dorner.com for complete list of troubleshooting solutions.</i>

Inspect conveyor belt for:

- Surface cuts or wear
- Skipping

Damage to belt links or rods, surface cuts and / or wear indicate:

- Sharp or heavy parts impacting belt
- Jammed parts
- Accumulated dirt
- Foreign material inside the conveyor
- Improperly positioned accessories

Skipping indicates:

- Excessive load on belt
- Worn spindle or impacted dirt on drive spindle

Preventive Maintenance and Adjustment

Conveyor Belt Replacement

⚠ WARNING

SEVERE HAZARD! LOCK OUT POWER before removing guards or performing maintenance. Exposed moving parts can cause serious injury.

1. Remove guides (Figure 42, item 1) when required.

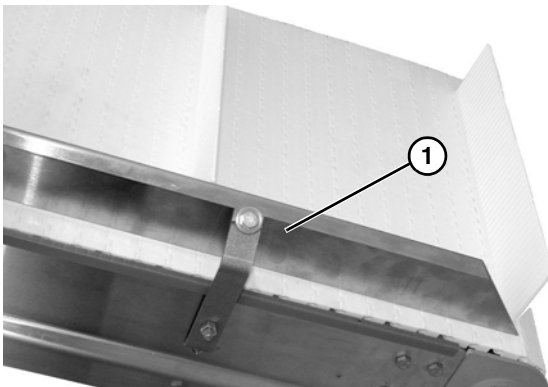


Figure 42

2. Use a punch and hammer to push the belt rod out by striking the rod end opposite the retaining head (Figure 43).



Figure 43

3. Slide the old belt off the conveyor frame.
4. Replace the old belt with a new one. Refer to "Belt Installation" on page 12.

CAUTION
DO NOT reuse belt rods that are damaged or show signs of wear.

Conveyor Belt Tensioning

⚠ WARNING

SEVERE HAZARD! LOCK OUT POWER before removing guards or performing maintenance. Exposed moving parts can cause serious injury.

NOTE
<i>Belt should not be stretched during installation. A proper length of belt can be installed by interlocking the ends by hand without excess links.</i>

1. Remove one or more belt links to take up tension.

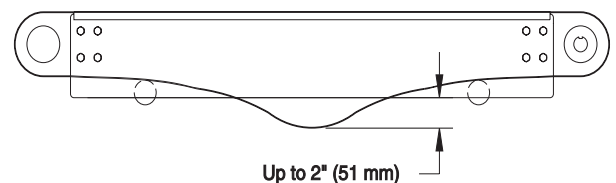


Figure 44

CAUTION
Belt sag should not exceed 2" (51 mm) from the bottom of the conveyor frame (Figure 44).

Preventive Maintenance and Adjustment

Wear Strips

Replace the wear strips if they become worn.

Typical Standard Wear Strips (**Figure 45**)

1	Bar Cap
2	Wear Strips, Bed Frame

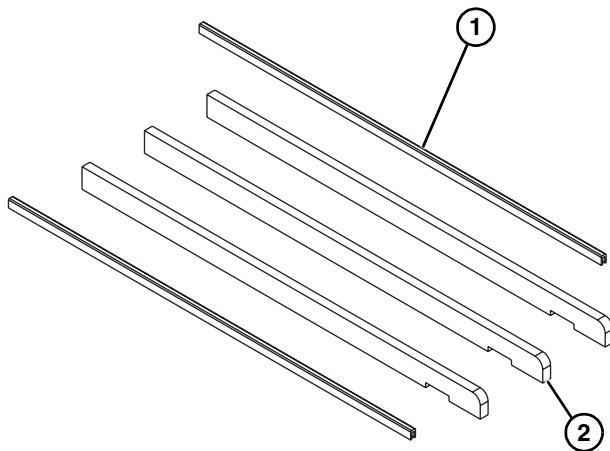


Figure 45

Bar Cap Replacement

1. Remove worn bar cap (**Figure 46, item 1**) by lifting off of conveyor side rail.



Figure 46

2. Replace with new bar cap.

Wear Strip Removal

1. Remove conveyor belt. See “Conveyor Belt Replacement” on page 17.
2. Remove worn wear strips (**Figure 47, item 1**) from frame notches.

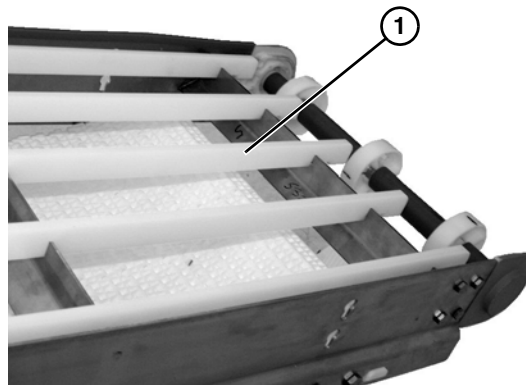


Figure 47

3. Remove curved wear strips from frame notches (**Figure 48, item 1**) when worn.

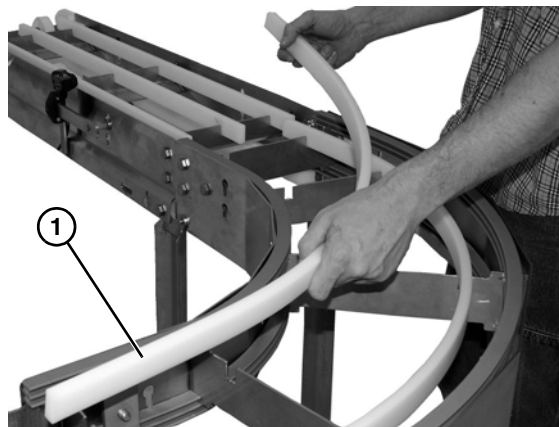


Figure 48

4. Replace with new wear strips.

Preventive Maintenance and Adjustment

Belt Guides

Open conveyor belt. See "Conveyor Belt Replacement" on page 17.

Removal

1. Remove the hex head bolt (**Figure 49, item 1**) retaining the wear strip support bracket (**Figure 49, item 2**) from both ends of curve conveyor (for conveyors 4" - 10" wide only).

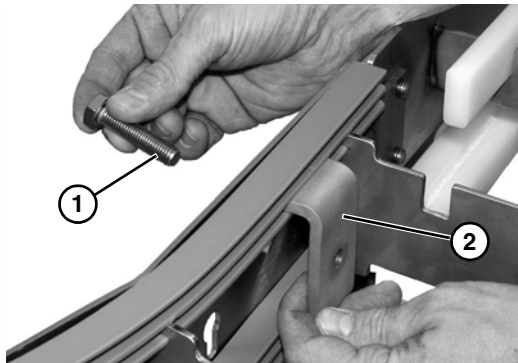


Figure 49

2. Remove two hex head bolts (**Figure 50, item 1**) holding straight section frame to section connecting bracket (**Figure 50, item 2**). Repeat on opposite side.

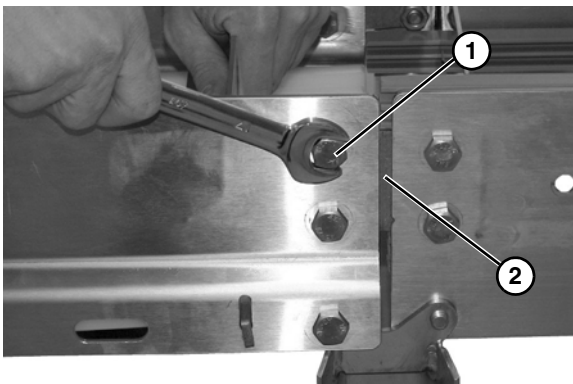


Figure 50

3. Remove hex head bolt (**Figure 51, item 1**) holding straight section frame to conveyor stand (**Figure 51, item 2**). Repeat on opposite side.

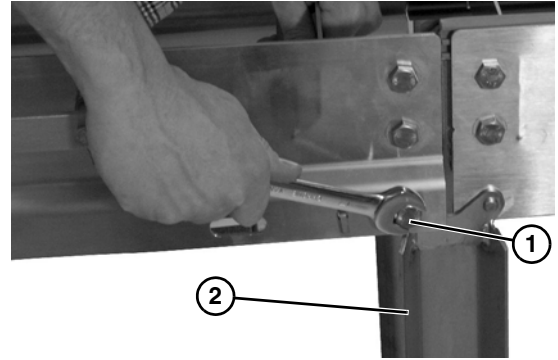


Figure 51

4. Lift up on straight section (**Figure 52, item 1**) and remove from curve section and conveyor stand (**Figure 52, item 2**). Be sure to support free end of straight section once removed.

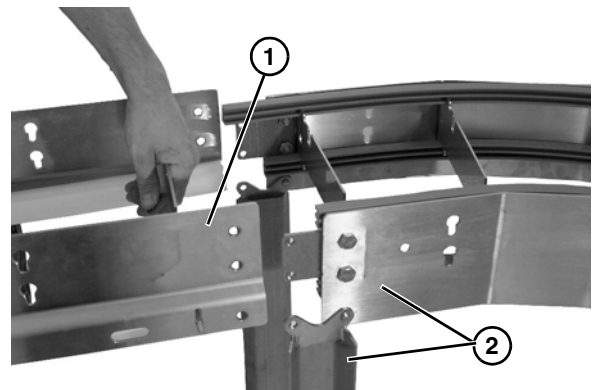


Figure 52

5. Slide off inner (**Figure 53, item 1**) and outer (**Figure 53, item 2**) belt guides.

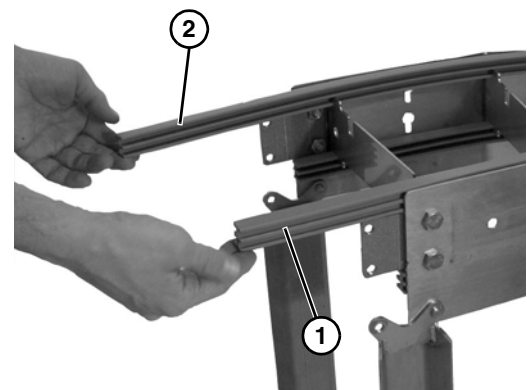




Figure 53

6. Replace with new belt guides.

Preventive Maintenance and Adjustment

Drive Sprocket and Spindle Replacement

 WARNING

SEVERE HAZARD! Exposed moving parts can cause severe injury. LOCK OUT POWER before removing guards or performing maintenance.

1. Remove the gearmotor. For detailed instructions, refer to the appropriate drive package manual.
2. Open conveyor belt. See “Conveyor Belt Replacement” on page 17.
3. Remove bearing cover (Figure 54, item 1).

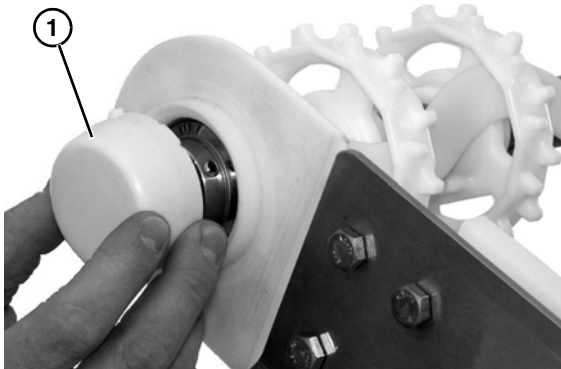


Figure 54

4. Remove the four head plate bolts (Figure 55, item 1) on both sides of the conveyor.

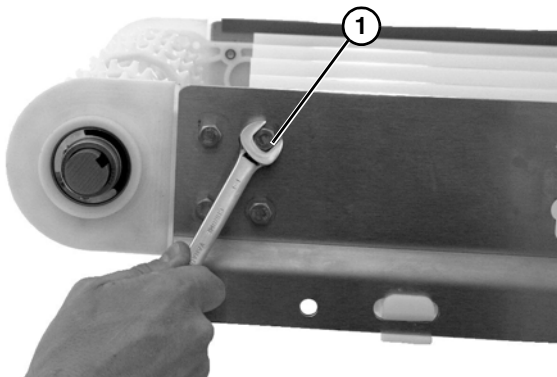


Figure 55

5. Remove tail assembly.

6. Loosen set screws (Figure 56, item 1).

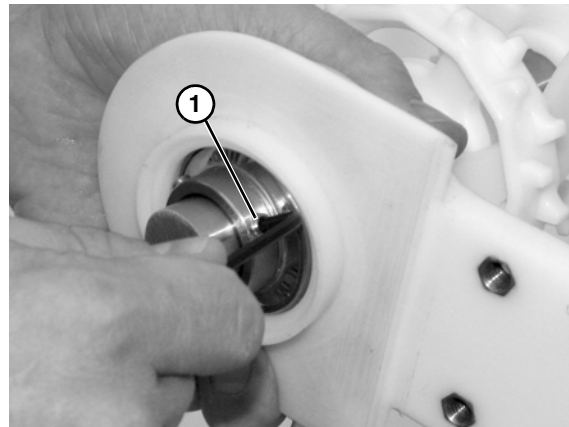


Figure 56

7. Slide the head plate with bearing (Figure 57, item 1) off the shaft.

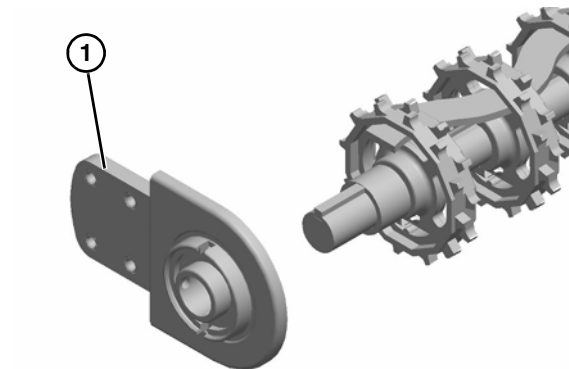


Figure 57

8. Slide off drive sprocket spacer (Figure 58, item 1).

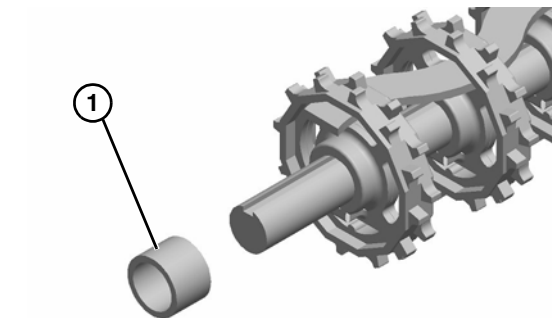


Figure 58

Preventive Maintenance and Adjustment

- Slide entire sprocket assembly slightly outward, and remove the first sprocket (**Figure 59, item 1**) off the drive spindle and alignment bar. (**Figure 59, item 2**).

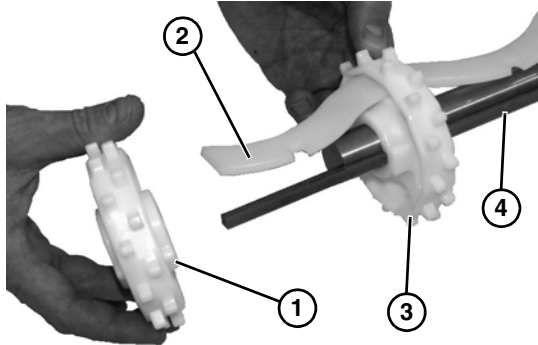


Figure 59

- Remove remaining sprockets (**Figure 59, item 3**) off the alignment bar as you slide entire assembly off the drive spindle (**Figure 59, item 4**).

NOTE

To reassemble please note the placement of the sprockets on the alignment key.

Idler Puck and Spindle Replacement

⚠ WARNING



SEVERE HAZARD!

Exposed moving parts can cause severe injury. LOCK OUT POWER before removing guards or performing maintenance.

NOTE

Idler tails are equipped with plain bushing pucks, replace when worn.

- Open conveyor belt. See “Conveyor Belt Replacement” on page 17.

- Remove four head plate bolts (**Figure 60, item 1**). Repeat on opposite side.

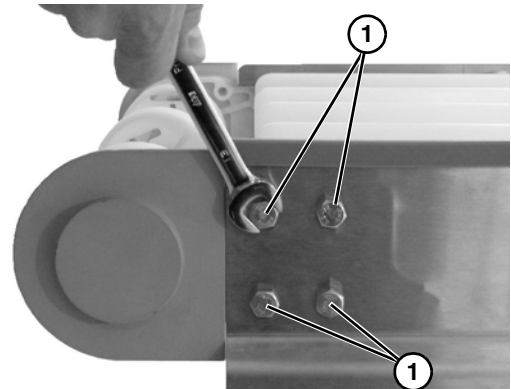


Figure 60

- Remove idler tail assembly (**Figure 61, item 1**).

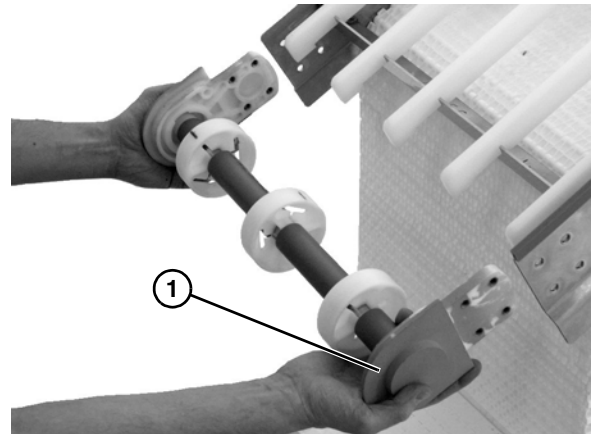


Figure 61

- Slide off idler head plate (**Figure 62, item 1**) from shaft (**Figure 62, item 2**).

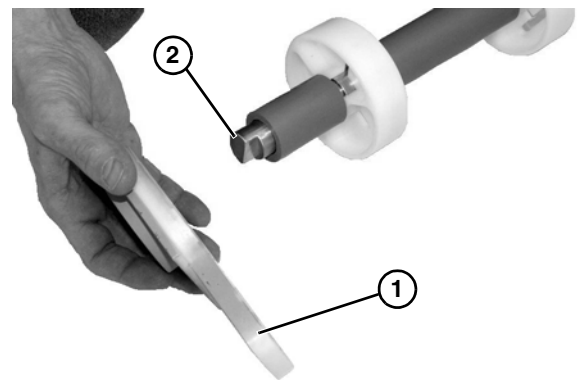


Figure 62

Preventive Maintenance and Adjustment

- Slide off the round puck spacer (**Figure 63, item 1**).

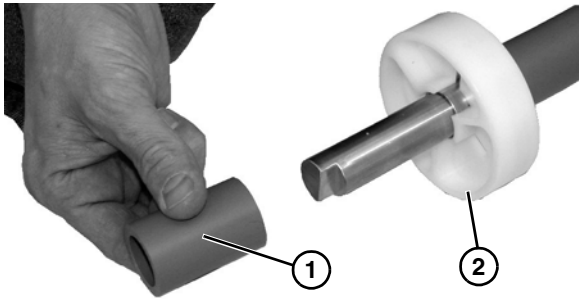




Figure 63

- Slide off puck and replace (**Figure 63, item 2**).
- Repeat as needed.

Bearing Replacement

 WARNING

Exposed moving parts can cause severe injury. LOCK OUT POWER before removing guards or performing maintenance.

Drive Bearing Removal and Replacement

 WARNING

Drive shaft keyway may be sharp. HANDLE WITH CARE.

- See “Drive Sprocket and Spindle Replacement” on page 20. Follow steps 1 through 7.
- Twist the bearing out (**Figure 64, item 1**).

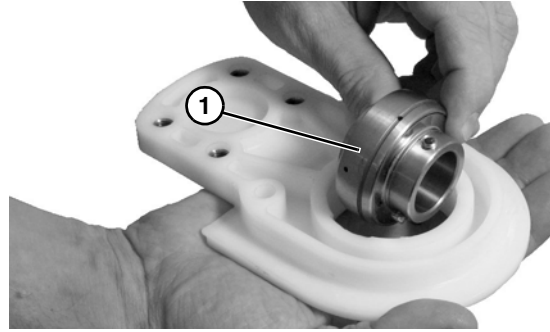


Figure 64

- Replace bearing.

Maintenance of Knuckles

Lower Knuckle

- Remove belt. See “Conveyor Belt Replacement” on page 17.
- Remove two cap screws (**Figure 65, item 1**) on each side of the knuckle and remove the hold down roller guards (**Figure 65, item 2**). Repeat on opposite side of the conveyor.

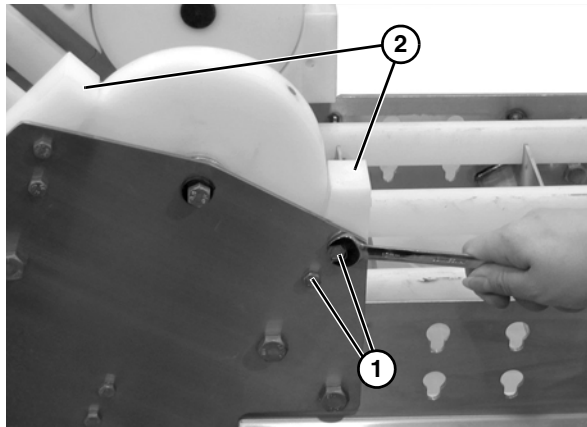


Figure 65

Preventive Maintenance and Adjustment

3. Remove the cap screw (**Figure 66, item 1**) and the hold down roller (**Figure 66, item 2**). Repeat on opposite side of the conveyor.

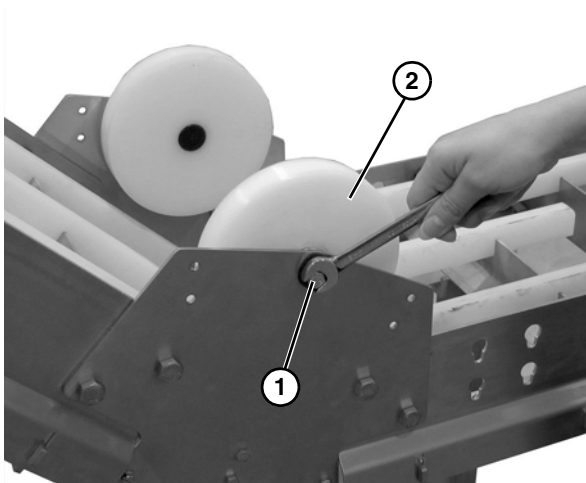


Figure 66

4. Remove two cap screws (**Figure 67, item 1**) and the inner belt return guide (**Figure 68, item 1**). Repeat on opposite side of the conveyor.

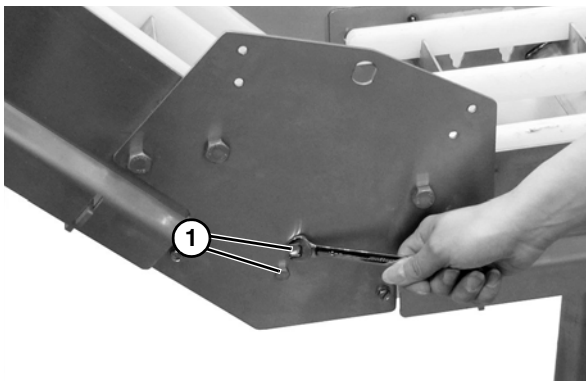


Figure 67

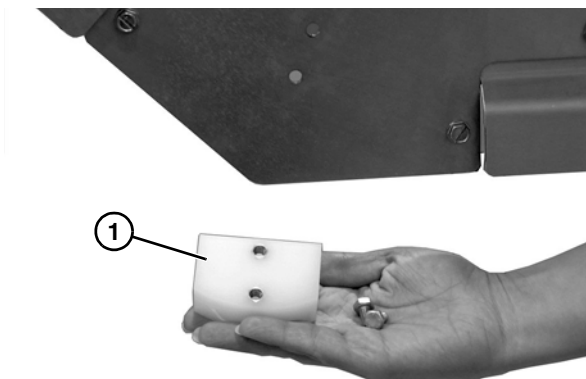


Figure 68

5. Replace parts as necessary.
6. Install parts reverse of removal.

Upper Knuckle

1. Remove belt. See “Conveyor Belt Replacement” on page 17.
2. Remove cap screw (**Figure 69, item 1**) and edge guide plate (**Figure 69, item 2**) from each side of the conveyor.

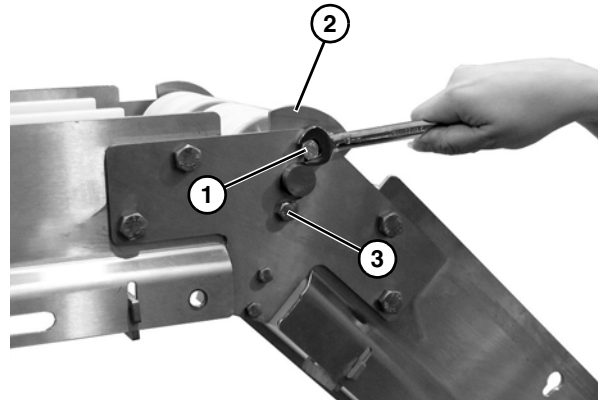


Figure 69

3. Remove the cap screw (**Figure 69, item 3**) and shaft clamp (**Figure 70, item 1**) from each side of the conveyor.

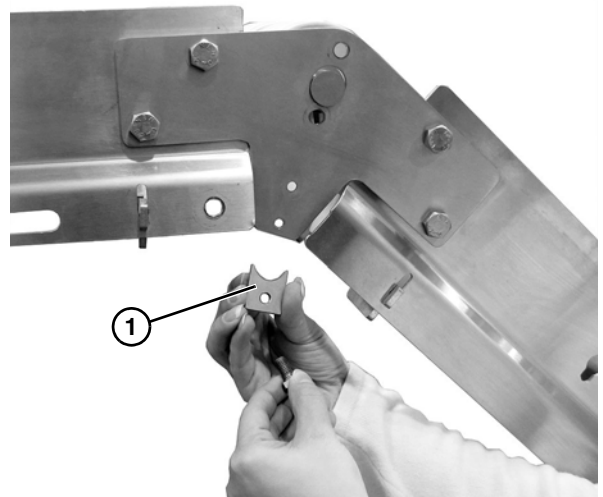


Figure 70

Preventive Maintenance and Adjustment

- Slide shaft (**Figure 71, item 1**) inwards to remove from knuckle frame (**Figure 72, item 1**).

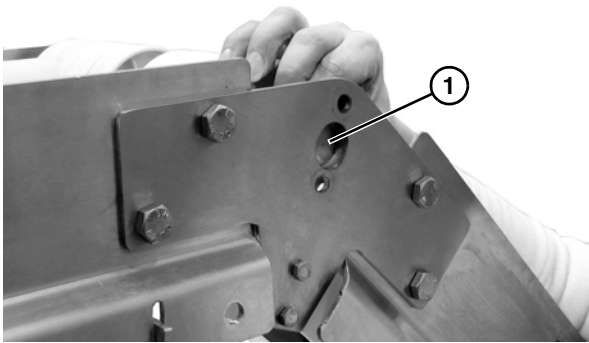


Figure 71

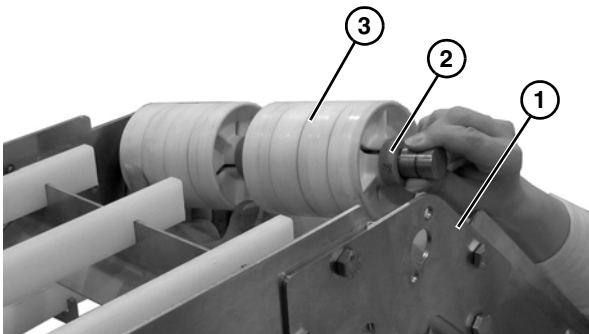


Figure 72

NOTE

Spacer (**Figure 72, item 2**) and pucks (**Figure 72, item 3**) are loose and can slide off the shaft.

- Remove spacer (**Figure 73, item 1**), rollers (**Figure 73, item 2**) and tube spacers (**Figure 73, item 3**) from shaft.

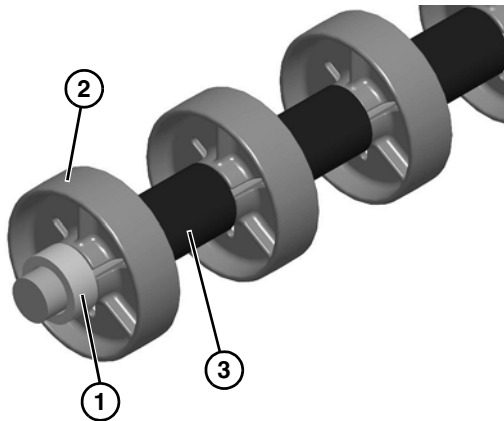


Figure 73

- Remove two cap screws (**Figure 74, item 1**) and inner belt return guide (**Figure 75, item 1**). Repeat on opposite side of the conveyor.

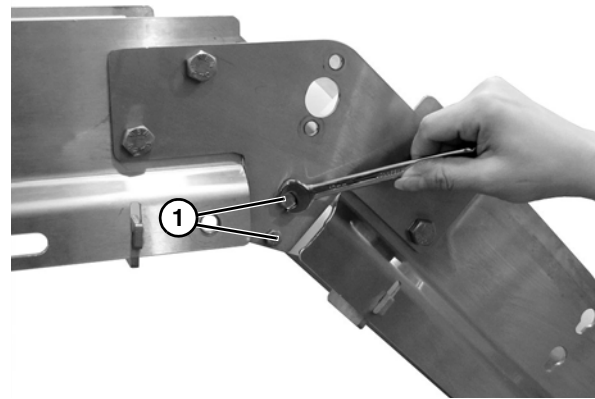


Figure 74

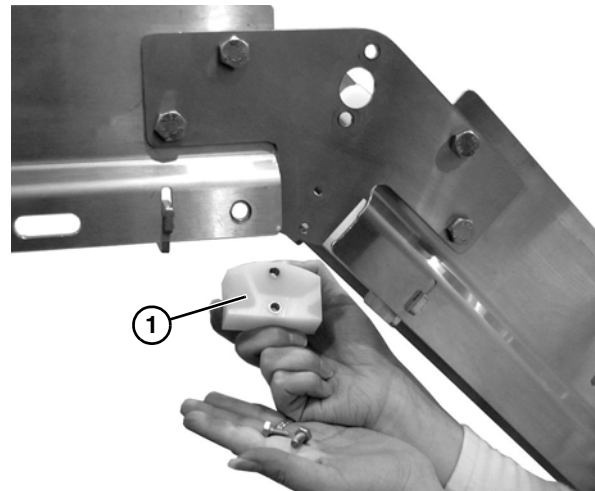



Figure 75

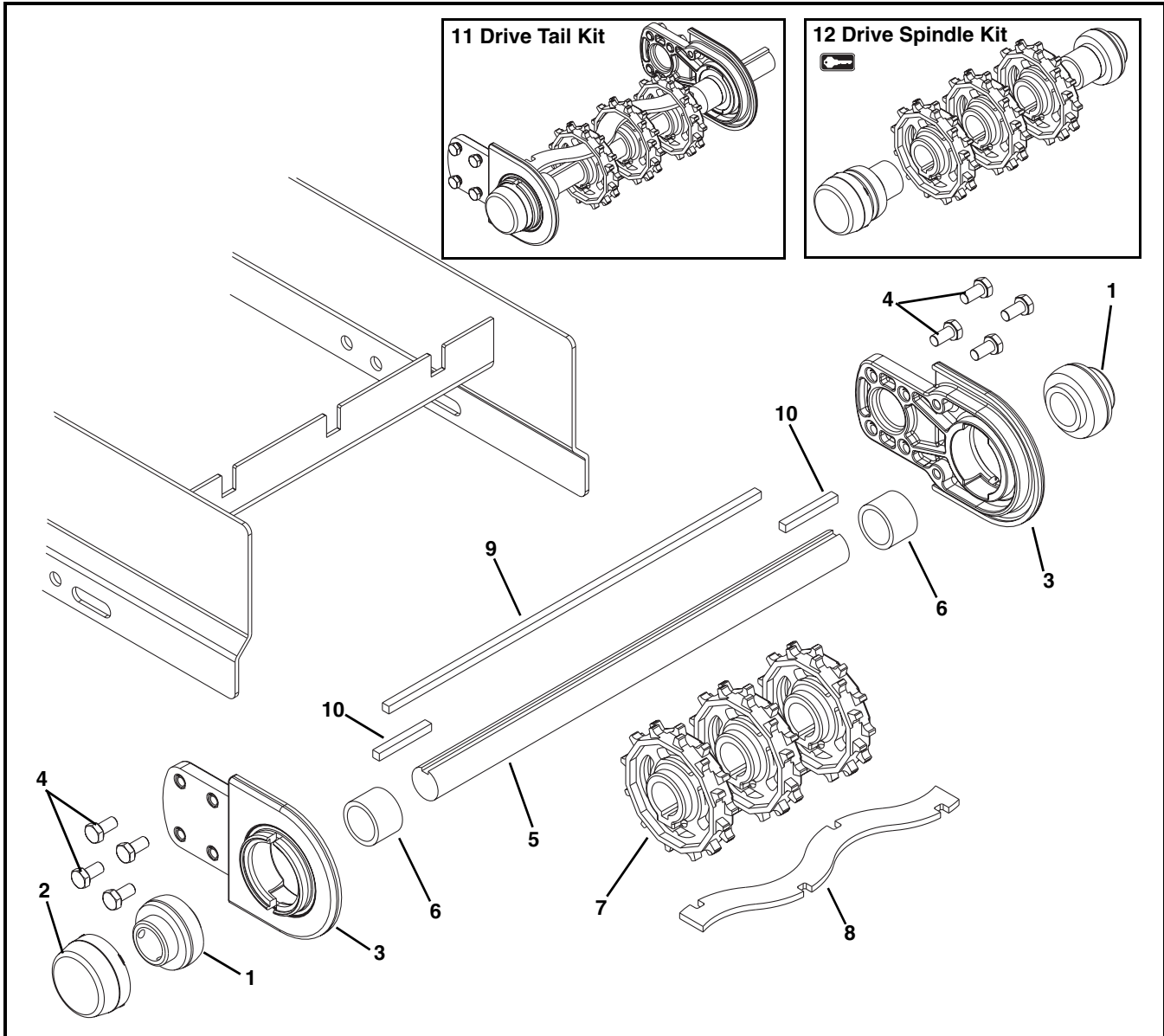
- Replace parts as necessary.
- Install parts reverse of removal.

Service Parts

NOTE

For replacement parts other than those shown in this section, contact an authorized Dorner Service Center or the factory. Key Service Parts and Kits are identified by the Performance Parts Kits logo . Dorner recommends keeping these parts on hand.

Drive End Components



Service Parts

Item	Part Number	Description
1	735BK	Bearing Kit (Qty. 2)
2*	807-1454	Bearing Cap
3	532013	Headplate
4	960816MSS	Hex Head Cap Screw M8-1.25 x 16mm
5	See Drive Spindle Chart	Spindle
6	532251-LLLLL	Sprocket Spacer
7	807-1754	Sprocket
8	532124-WWW	Sprocket Alignment Bar (for 10" - 36" wide only)
9	532121-LLLLL	Square Key
10	912-110SS	Square Key

Item	Part Number	Description
11	735CBDT-WWW	Drive Tail Kit for Bottom Mount (Includes items 1 through 10)
	735CSDT-WWW	Drive Tail Kit for Side Mount (Includes items 1 through 10)
	735CDBDT-WWW	Drive Tail Kit for Bottom Mount, with Double Output Shafts (Includes items 1 through 10)
	735CSDT-WWW	Drive Tail Kit for Side Mount, with Double Output Shafts (Includes items 1 through 10)
	735UCSDT-WWW	CE Drive Tail Kit for Side Mount, (Includes items 1 through 10)
	735UCSDT-WWW	CE Drive Tail Kit for Side Mount, with Double Output Shafts (Includes items 1 through 10)
12	735CDT-WWW	Drive Spindle Kit (Includes items 1, 2, 6, and 7)

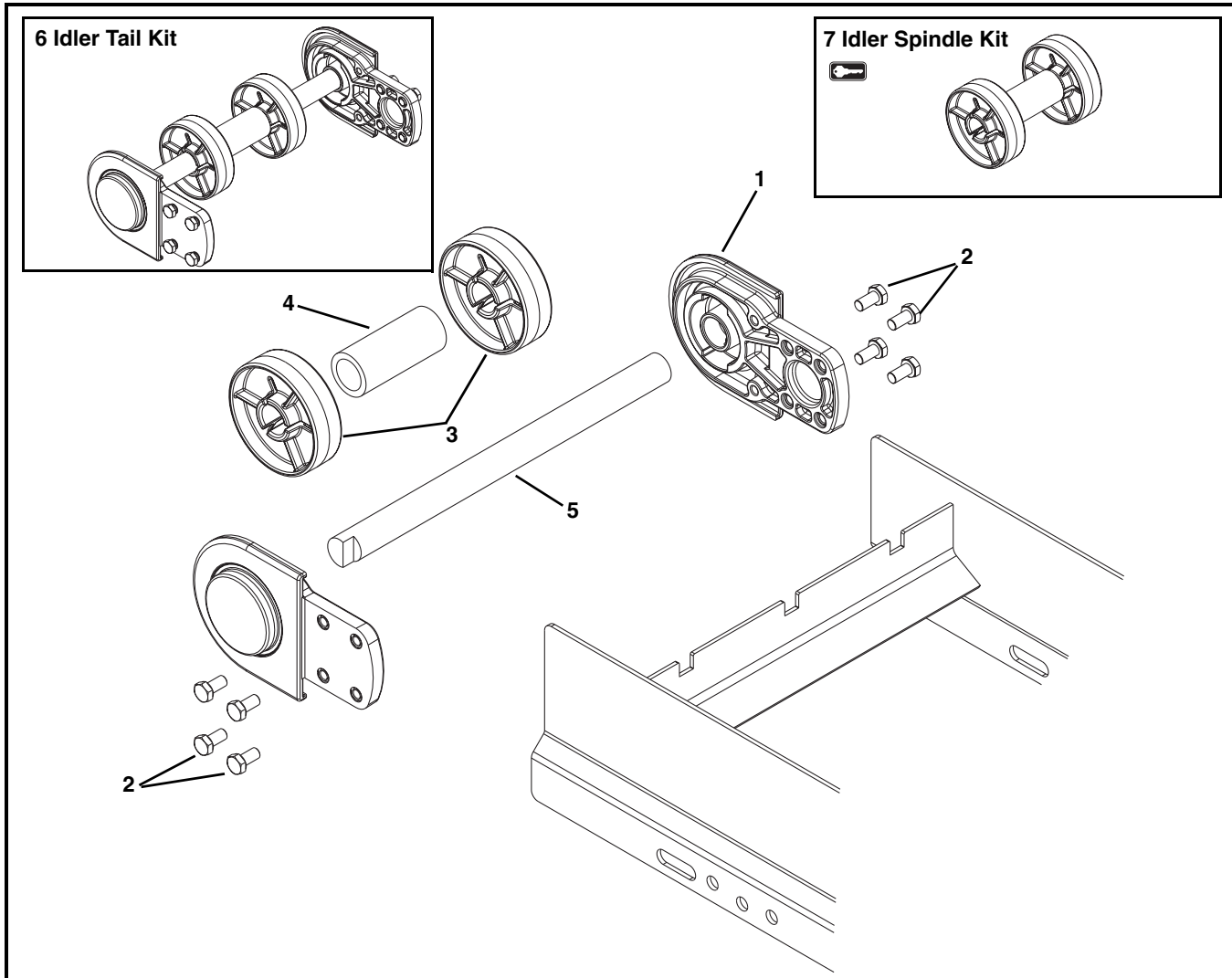
WWW = Conveyor width reference: 04 – 36 in 02 increments
 LLLLL = Part length in inches with 2 decimal places.
 Example: Part Length = 95.25" LLLLL = 09525
 * Not available with double output shafts

Conveyor Width	Bottom Mount	Side Mount	Bottom Mount with Double Output Shaft	Side Mount with Double Output Shaft
4"	532113-00824	532232-01425	532113-00980	532232-01581
6"	532113-01024	532232-01625	532113-01180	532232-01781
8"	532113-01212	532232-01813	532113-01368	532232-01969
10"	532113-01413	532232-02014	532113-01569	532232-02170
12"	532113-01602	532232-02203	532113-01758	532232-02359
14"	532113-01799	532232-02400	532113-01955	532232-02556
16"	532113-01996	532232-02597	532113-02152	532232-02753
18"	532113-02190	532232-02791	532113-02346	532232-02947
20"	532113-02387	532232-02988	532113-02543	532232-03144
22"	532113-02583	532232-03184	532113-02739	532232-03340
24"	532113-02780	532232-03381	532113-02936	532232-03537
26"	532113-02973	532232-03574	532113-03129	532232-03730
28"	532113-03170	532232-03771	532113-03326	532232-03927
30"	532113-03364	532232-03965	532113-03520	532232-04121
32"	532113-03561	532232-04162	532113-03717	532232-04318
34"	532113-03757	532232-04358	532113-03913	532232-04514
36"	532113-03954	532232-04555	532113-04110	532232-04711

Conveyor Width	Bottom Mount	Side Mount	Bottom Mount with Double Output Shaft	Side Mount with Double Output Shaft
4"	532113-00824	532291-01228	532113-00980	532291-01384
6"	532113-01024	532291-01428	532113-01180	532291-01584
8"	532113-01212	532291-01616	532113-01368	532291-01772
10"	532113-01413	532291-01817	532113-01569	532291-01973
12"	532113-01602	532291-02006	532113-01758	532291-02162
14"	532113-01799	532291-02203	532113-01955	532291-02359
16"	532113-01996	532291-02400	532113-02152	532291-02556
18"	532113-02190	532291-02594	532113-02346	532291-02750
20"	532113-02387	532291-02791	532113-02543	532291-02947
22"	532113-02583	532291-02987	532113-02739	532291-03143
24"	532113-02780	532291-03184	532113-02936	532291-03340
26"	532113-02973	532291-03377	532113-03129	532291-03533
28"	532113-03170	532291-03574	532113-03326	532291-03730
30"	532113-03364	532291-03768	532113-03520	532291-03924
32"	532113-03561	532291-03965	532113-03717	532291-04121
34"	532113-03757	532291-04161	532113-03913	532291-04317
36"	532113-03954	532291-04358	532113-04110	532291-04514

Service Parts

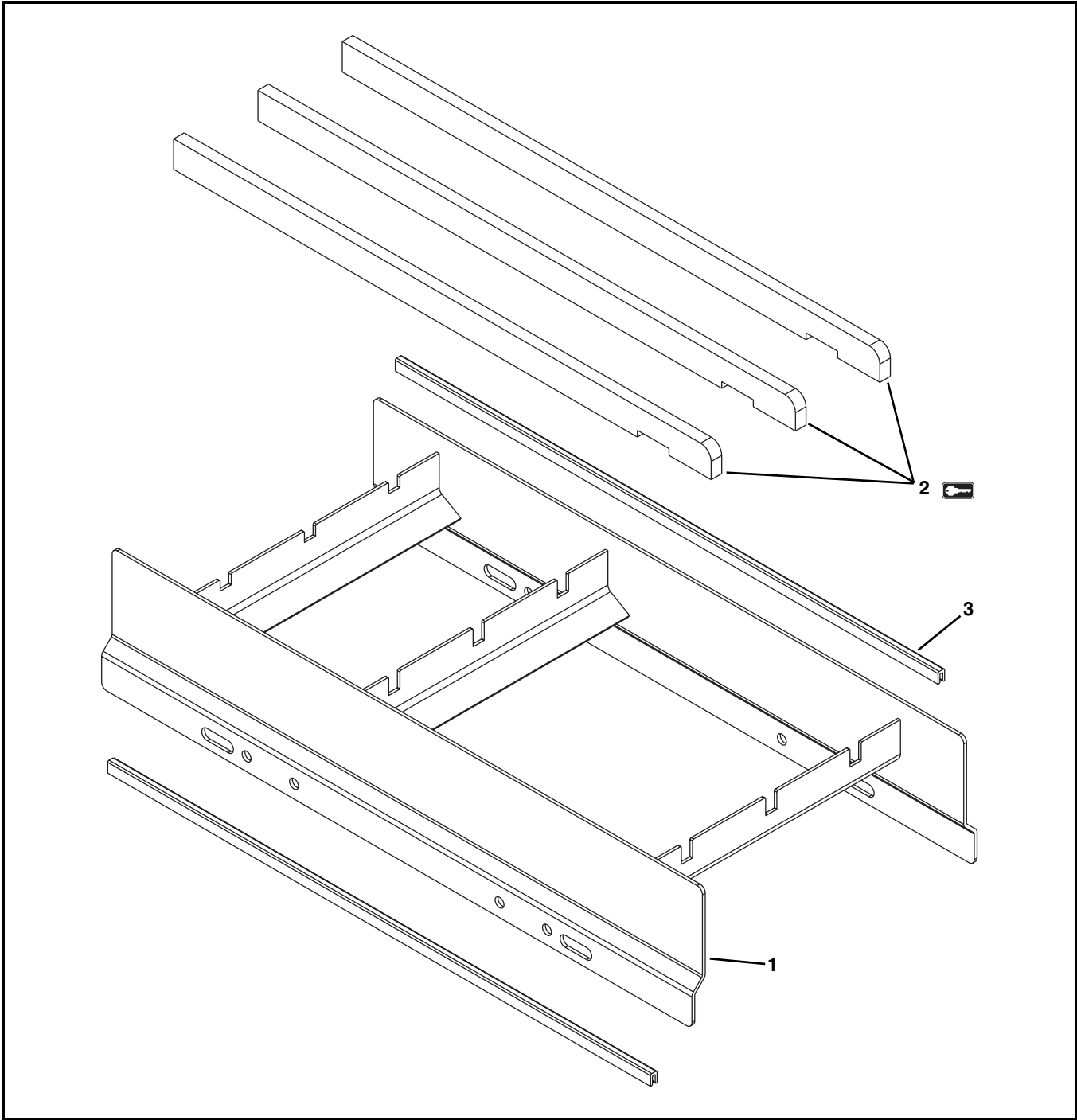
Idler End Components




Item	Part Number	Description
1	532014	Headplate Assembly
2	960816M	Hex Head Cap Screw M8-1.25 x 16mm
3	506296	Idler Puck
4	532127-LLLLL	Tube Spacer
5	See Idler Spindle Chart	Spindle
6	735CIT- <u>WW</u>	Idler Tail Kit (Includes items 1 through 5)
7	735CIS- <u>WW</u>	Idler Spindle Kit (Includes items 3 and 4)
<u>WW</u> = Conveyor width reference: 04 – 36 in 02 increments		
<u>LLLLL</u> = Part length in inches with 2 decimal places.		
Example: Part Length = 95.25" <u>LLLLL</u> = 09525		

Idler Spindle Chart	
Conveyor Width	Spindle
4"	532118-00493
6"	532118-00693
8"	532118-00881
10"	532118-01082
12"	532118-01271
14"	532118-01468
16"	532118-01665
18"	532118-01859
20"	532118-02056
22"	532118-02252
24"	532118-02449
26"	532118-02642
28"	532118-02839
30"	532118-03033
32"	532118-03230
34"	532118-03426
36"	532118-03623

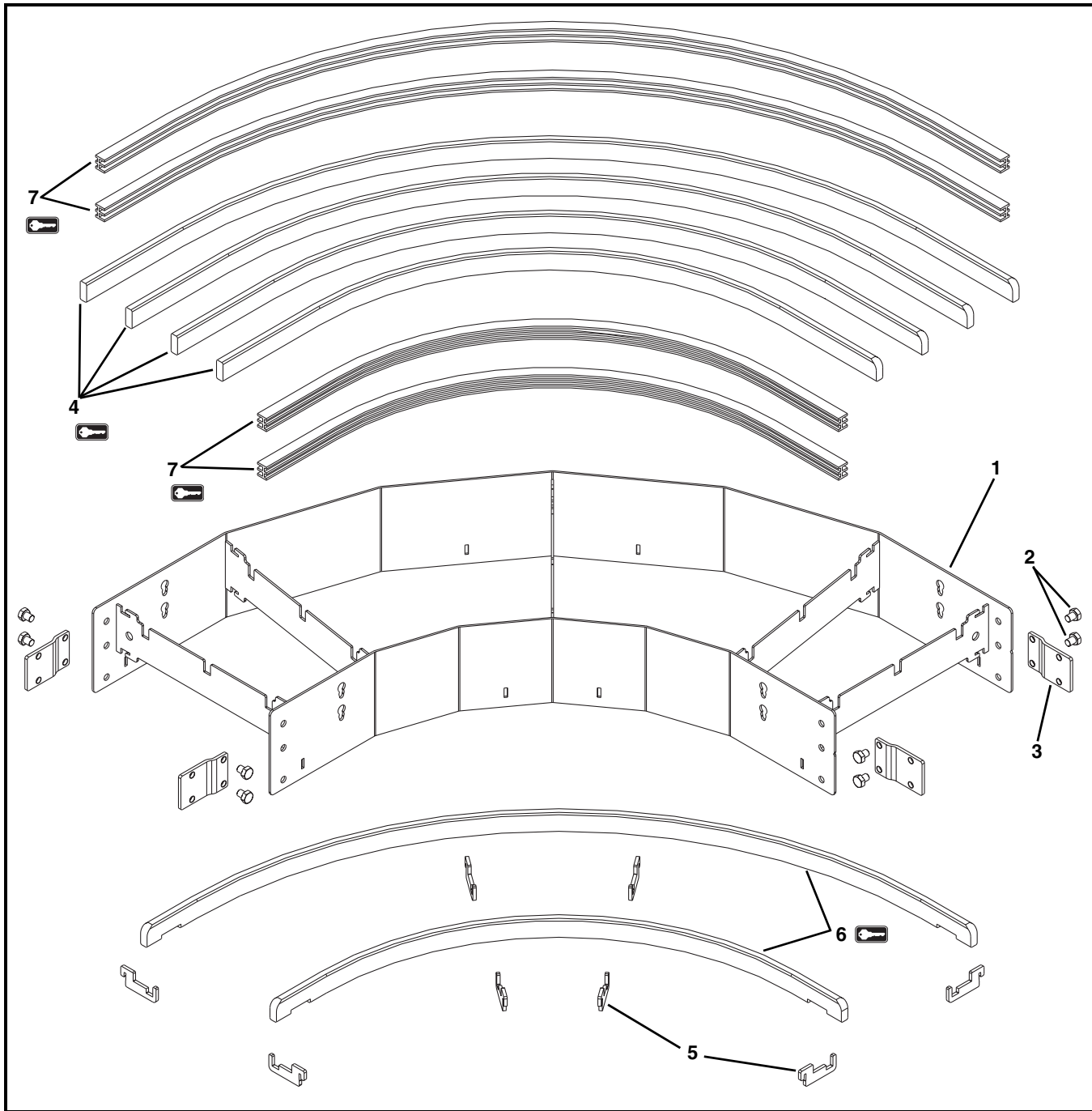
Frame Assembly



Item	Part Number	Description
1	-----	Consult Factory for Frame Part Number
2	532223- <u>LLLLL</u>	Wear Strip
		
3	532225- <u>LLLLL</u>	Bar Cap
<u>LLLLL</u> = Length in inches with 2 decimal places.		
Length Example: Length = 95.25" <u>LLLLL</u> = 09525		

Service Parts

Curve Conveyor Frame and Wear Strips



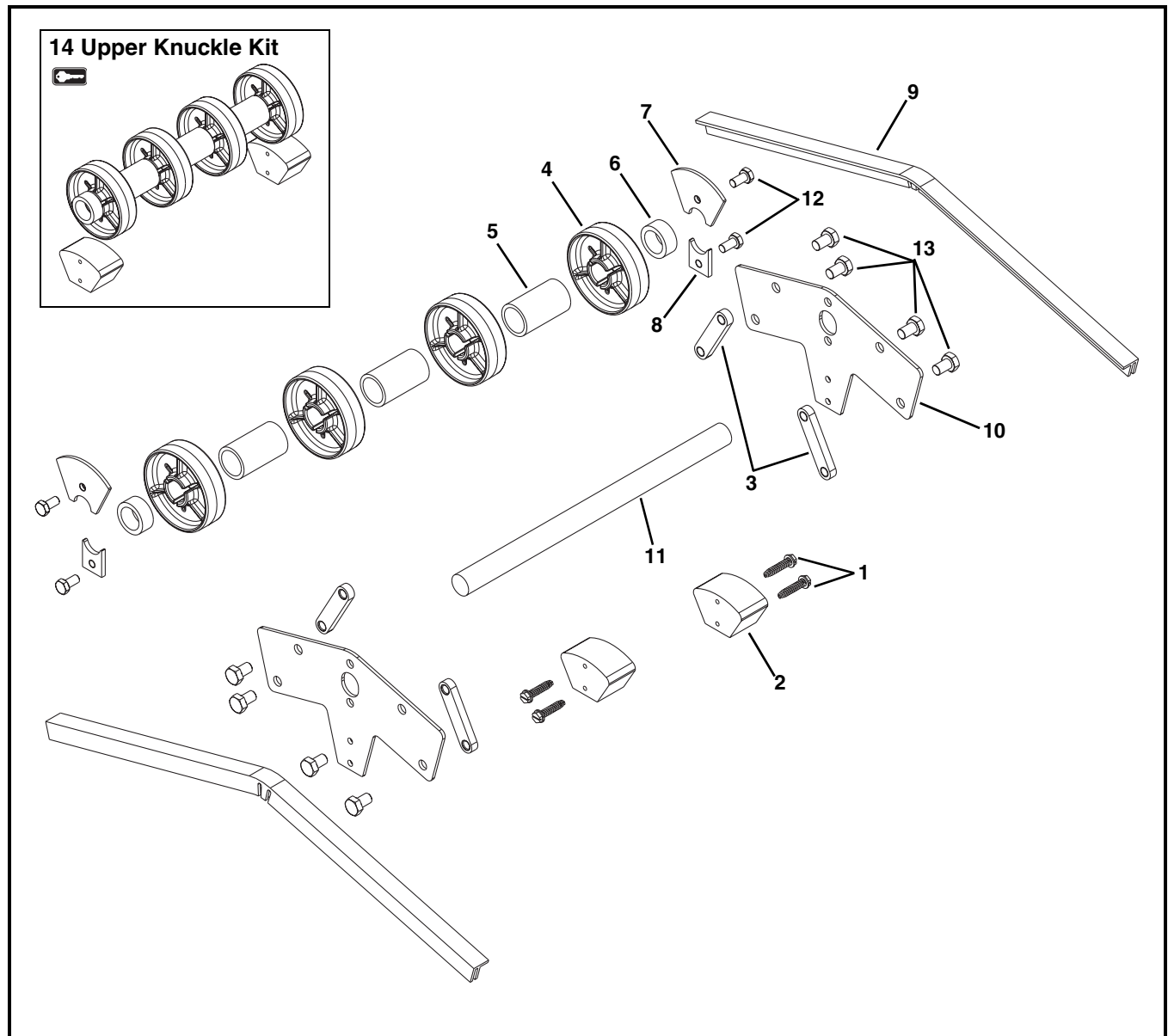
Item	Part Number	Description
1	-----	Consult Factory for Frame Part Number
2	532158	Connecting Plate for Straight to Curve Sections
	532157	Connecting Plate for Curve to Curve Sections
3	961012MSS	Hex Head Cap Screw M10-1.50 x 12mm
	532162-LLLLL	Wear Strip

Item	Part Number	Description
5	532152	Return Support
	532154	Front Return Support for Conveyors 26" or Wider
6	532223-LLLLL	Wear Strips for Returns
7	532164-LLLLL	Wear Strip for Edges

LLLLL = Length in inches with 2 decimal places.

Length Example: Length = 95.25" LLLLL = 09525

Upper Knuckle

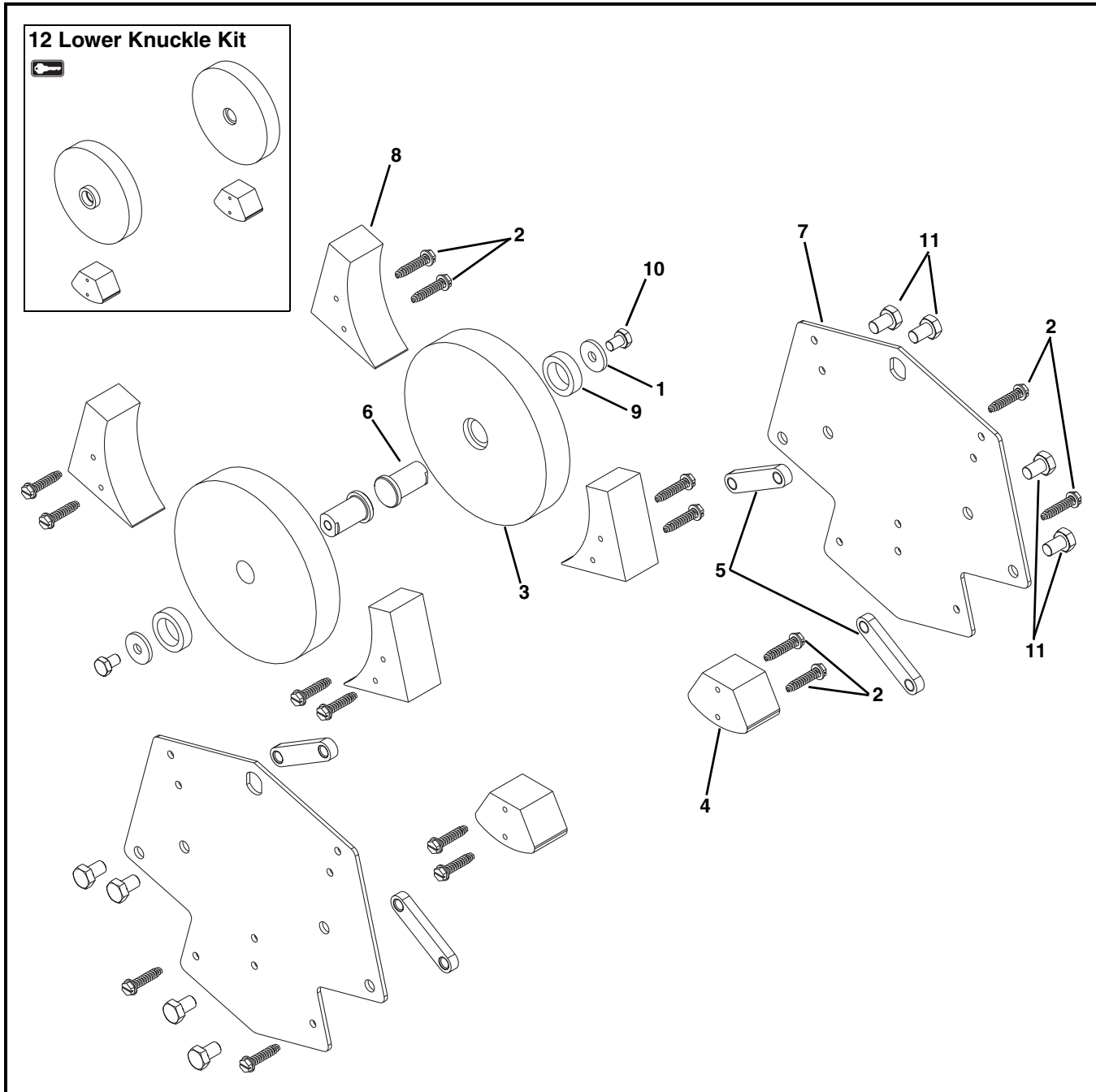


Item	Part Number	Description
1	807-1884	Sheet Metal Screw, #14 x 1.25
2	352326	Inner Belt Return Guide
3	500199	Connector
4	506296	Idler Puck
5	532251-00228	Tube Spacer
6	532305	Spacer
7	532353	Edge Guide Plate
8	532358	Shaft Clamp
9	532361	Bar Cap for Straight Conveyors
	532360	Bar Cap for Curve Conveyors
10	532376-AA	Side Plate

Item	Part Number	Description
11	532377-WW	Shaft
12	960816MSS	Hex Head Cap Screw, M8-1.25 x 16 mm
13	961016MSS	Hex Head Cap Screw, M10-1.50 x 16 mm
14	735UNS-WW	Upper Knuckle Kit for Straight Conveyor (Includes Items 2, 4, 5 and 6)
	735UNC-WW	Upper Knuckle Kit for Curve Conveyor (Includes Items 2, 4, 5 and 6)
		AA = Angle 05, 10, 15, 30, 45 or 60
		WW = Conveyor width reference: 08 – 24 in 02 increments

Service Parts

Lower Knuckle

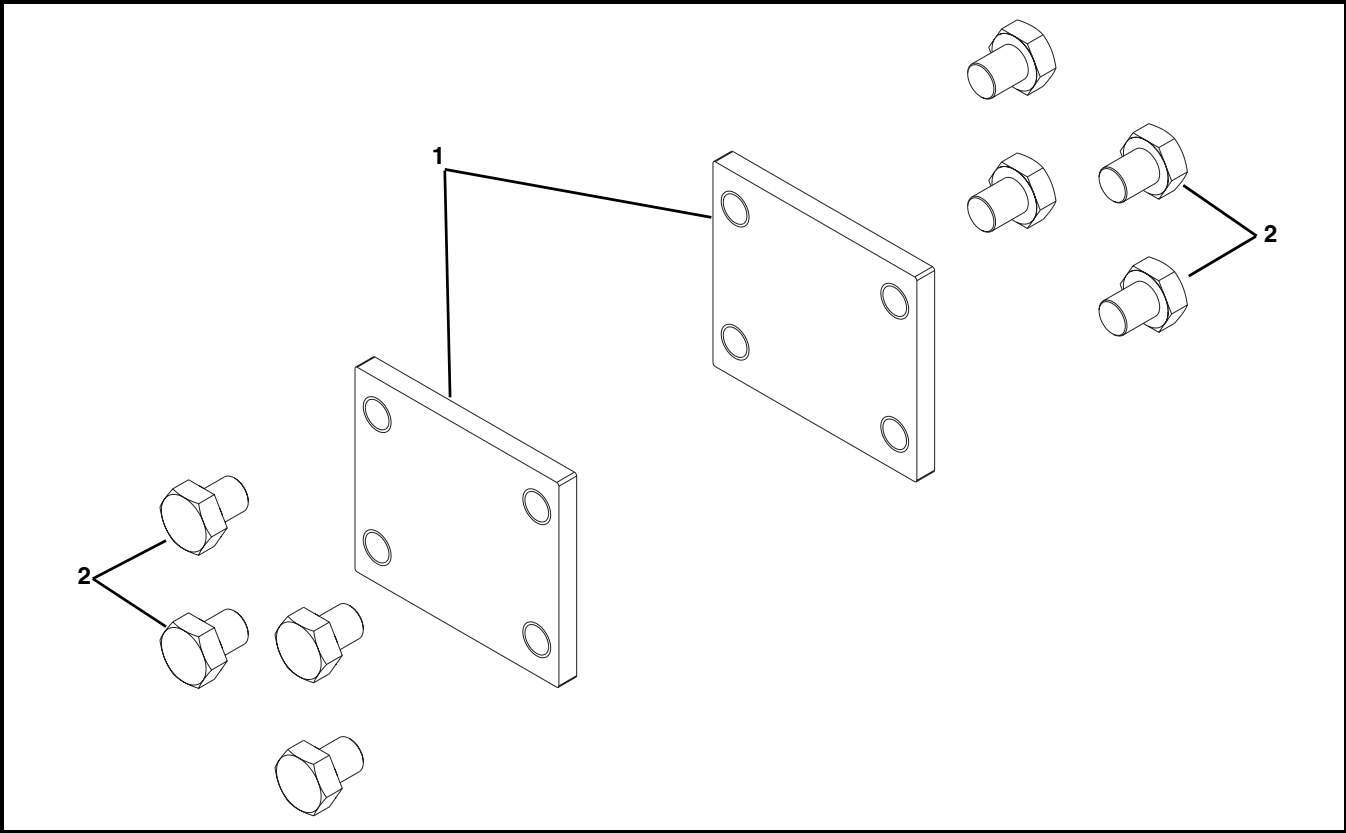


Item	Part Number	Description
1	807-1838	Washer
2	807-1884	Sheet Metal Screw, #14 x 1.25
3	352324	Hold Down Guide
4	352326	Inner Belt Return Guide
5	500199	Connector
6	532351	Stub Shaft
7	532355-AA	Side Plate

Item	Part Number	Description
8	532359	Hold Down Roller Guard
9	532379	Hold Down Roller Spacer
10	960812MSS	Hex Head Cap Screw, M8-1.25 x 12 mm
11	961012MSS	Hex Head Cap Screw, M10-1.50 x 12 mm
12	735LN	Lower Knuckle Kit (Includes Items 3, 4 and 9)

AA = Angle 05, 10, 15, 30, 45 or 60

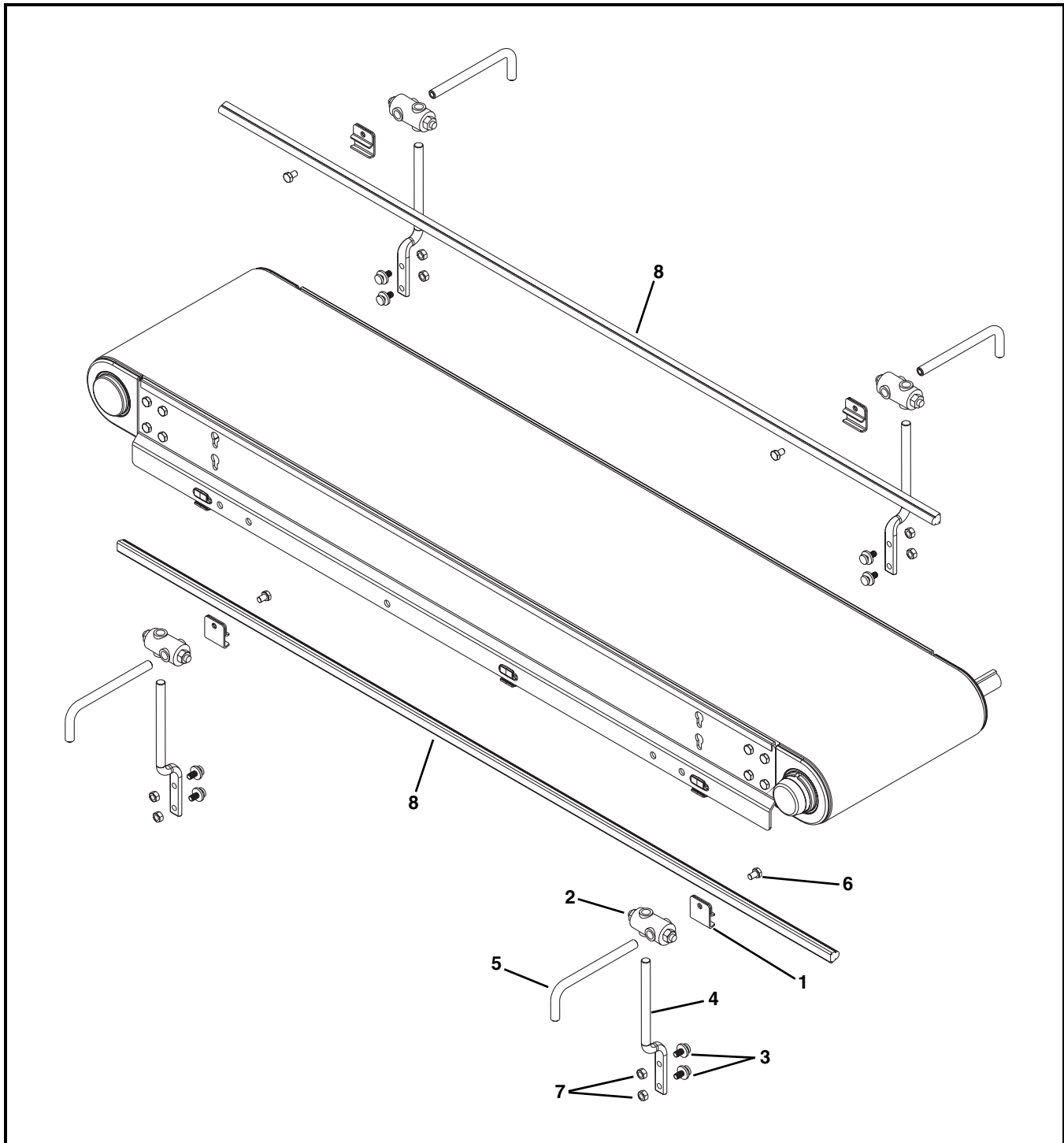
Connecting Assembly



Item	Part Number	Description
1	532157	Connector Plate
2	961012MSS	Hex Head Cap Screw M10-1.50 x 12mm

Service Parts

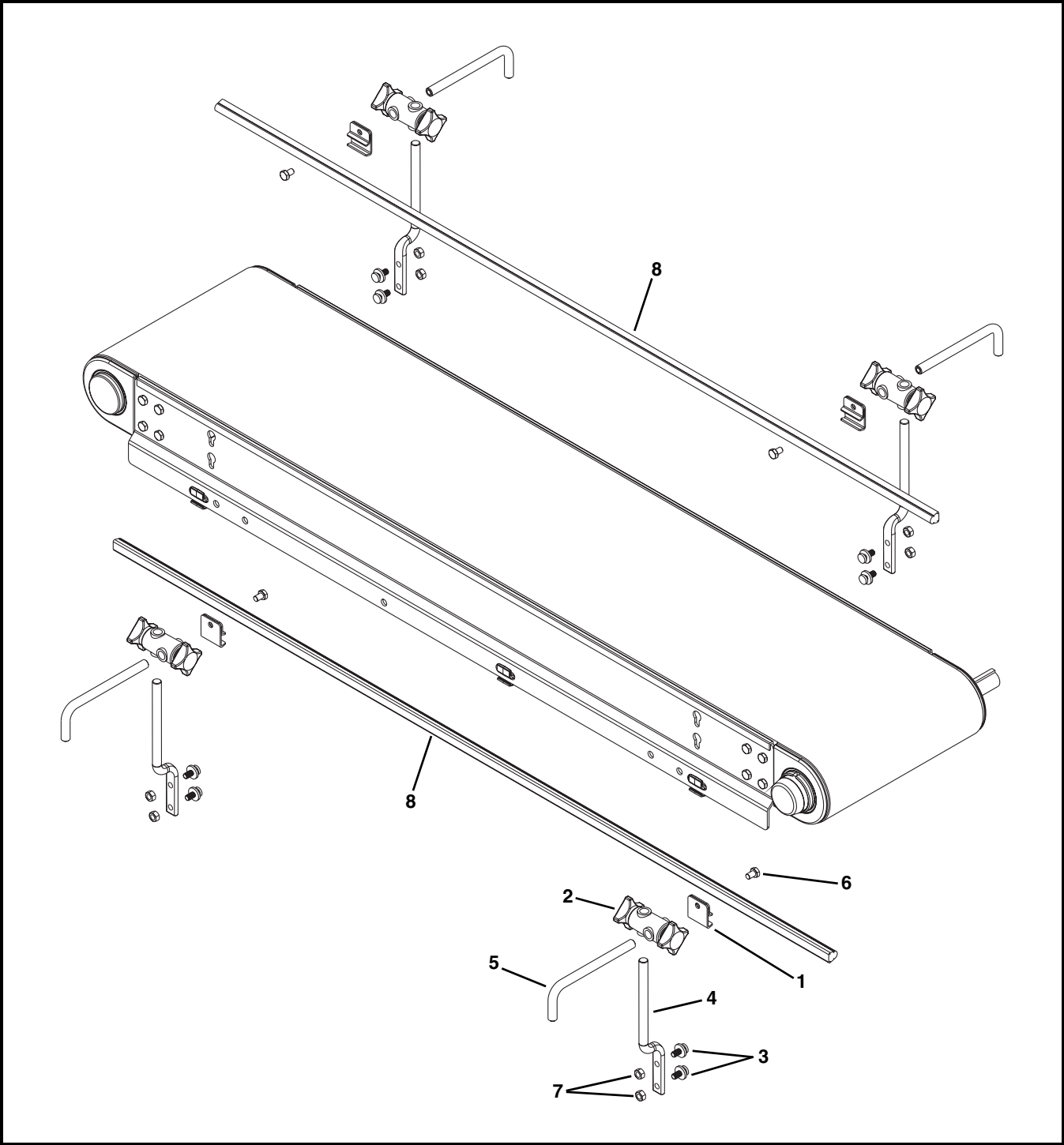
Fully Adjustable Round Guides



Item	Part Number	Description
1	807-015	Rail Clamp
2	807-1387	Cross Block Clamp
3	532191	Carriage Bolt M8 x 20mm
4	532192	Offset Guide Post
5	532300	Post Guide
6	960812MSS	Hex Head Cap Screw M8-1.25 x 12mm

Item	Part Number	Description
7	990801MSS	Hex Nut
8	532167- <u>LLLLL</u>	Round Guide Rail for Straight Conveyor Section
	532258- <u>LLLLL</u>	Round Guide Rail for Curve Conveyor Section
<u>LLLLL</u> = Length in inches with 2 decimal places.		
Length Example: Length = 95.25" <u>LLLLL</u> = 09525		

Tool-Less Fully Adjustable Round Guides

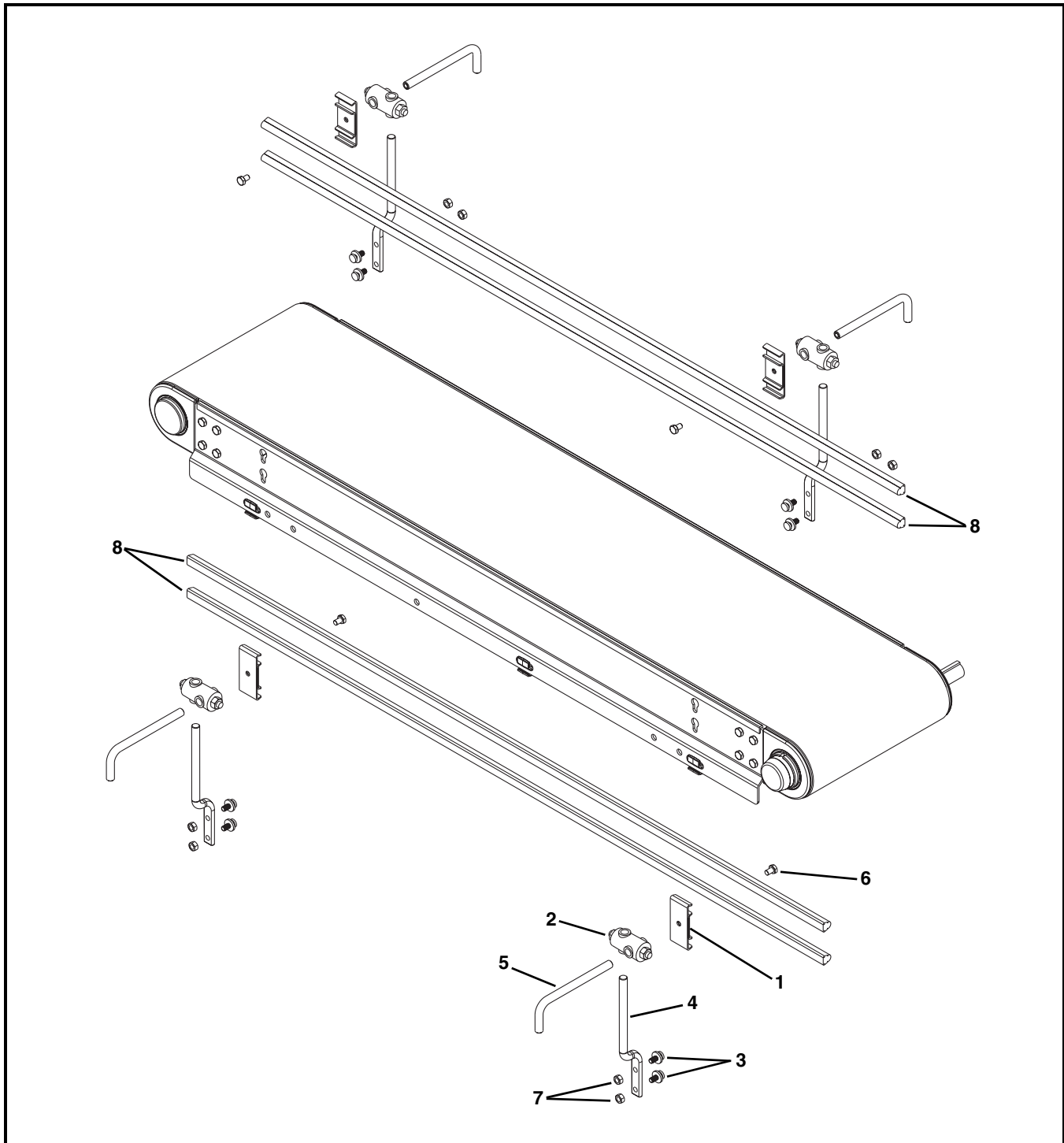


Item	Part Number	Description
1	807-015	Rail Clamp
2	807-1470	Cross Block Clamp
3	532191	Carriage Bolt M8 x 20mm
4	532192	Offset Guide Post
5	532300	Post Guide
6	960812MSS	Hex Head Cap Screw M8-1.25 x 12mm

Item	Part Number	Description
7	990801MSS	Hex Nut
8	532167-LLLLL	Round Guide Rail for Straight Conveyor Section
	532258-LLLLL	Round Guide Rail for Curve Conveyor Section
LLLLL = Length in inches with 2 decimal places. Length Example: Length = 95.25" LLLLL = 09525		

Service Parts

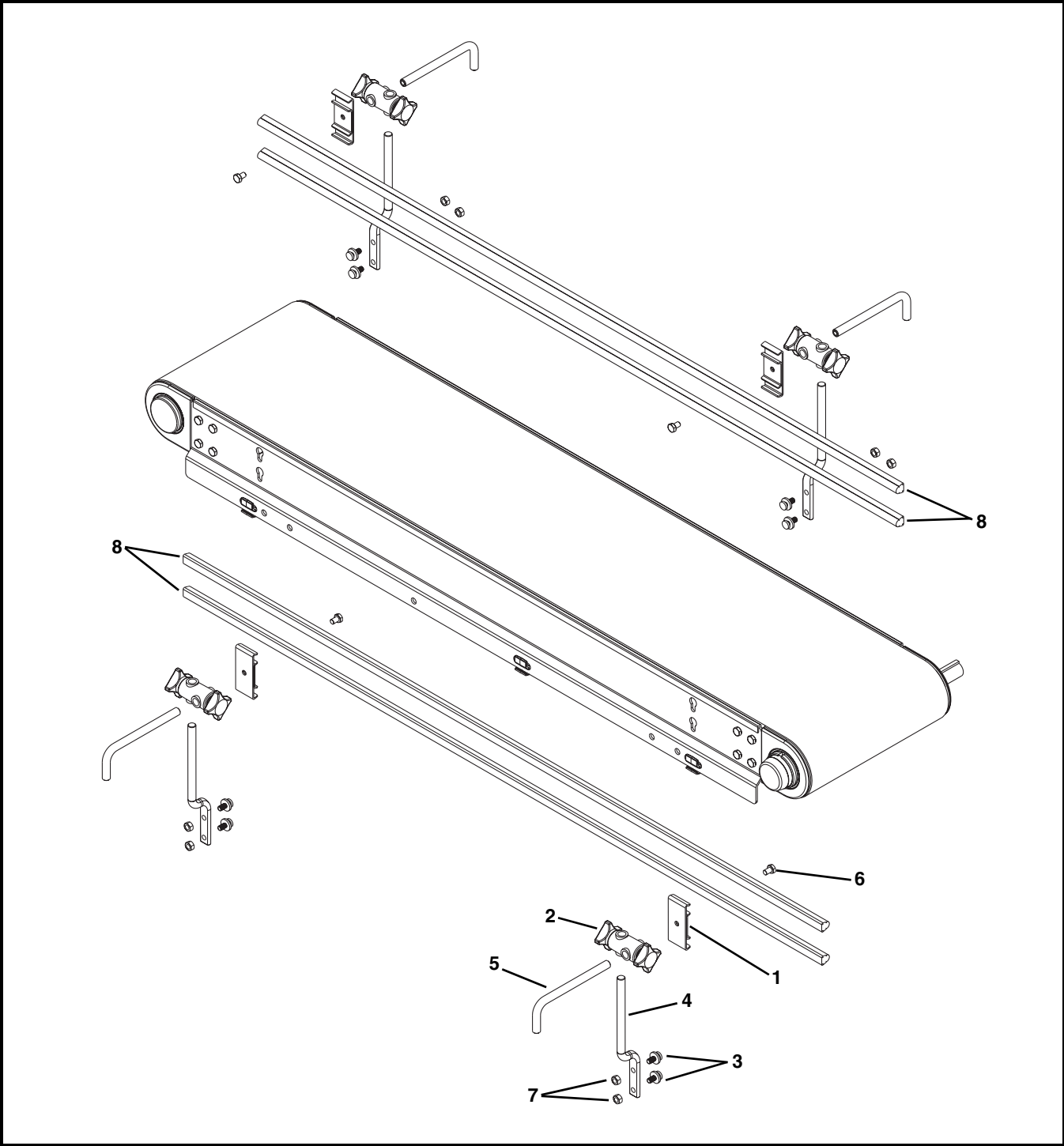
Twin Rail Adjustable Round Guides



Item	Part Number	Description
1	901414	Rail Clamp
2	807-1387	Cross Block Clamp
3	532191	Carriage Bolt M8 x 20mm
4	532192	Offset Guide Post
5	532300	Post Guide
6	960812MSS	Hex Head Cap Screw M8-1.25 x 12mm

Item	Part Number	Description
7	990801MSS	Hex Nut
8	532167- <u>LLLLL</u>	Round Guide Rail for Straight Conveyor Section
	532258- <u>LLLLL</u>	Round Guide Rail for Curve Conveyor Section
<u>LLLLL</u> = Length in inches with 2 decimal places.		
Length Example: Length = 95.25" <u>LLLLL</u> = 09525		

Tool-Less Twin Rail Adjustable Round Guides

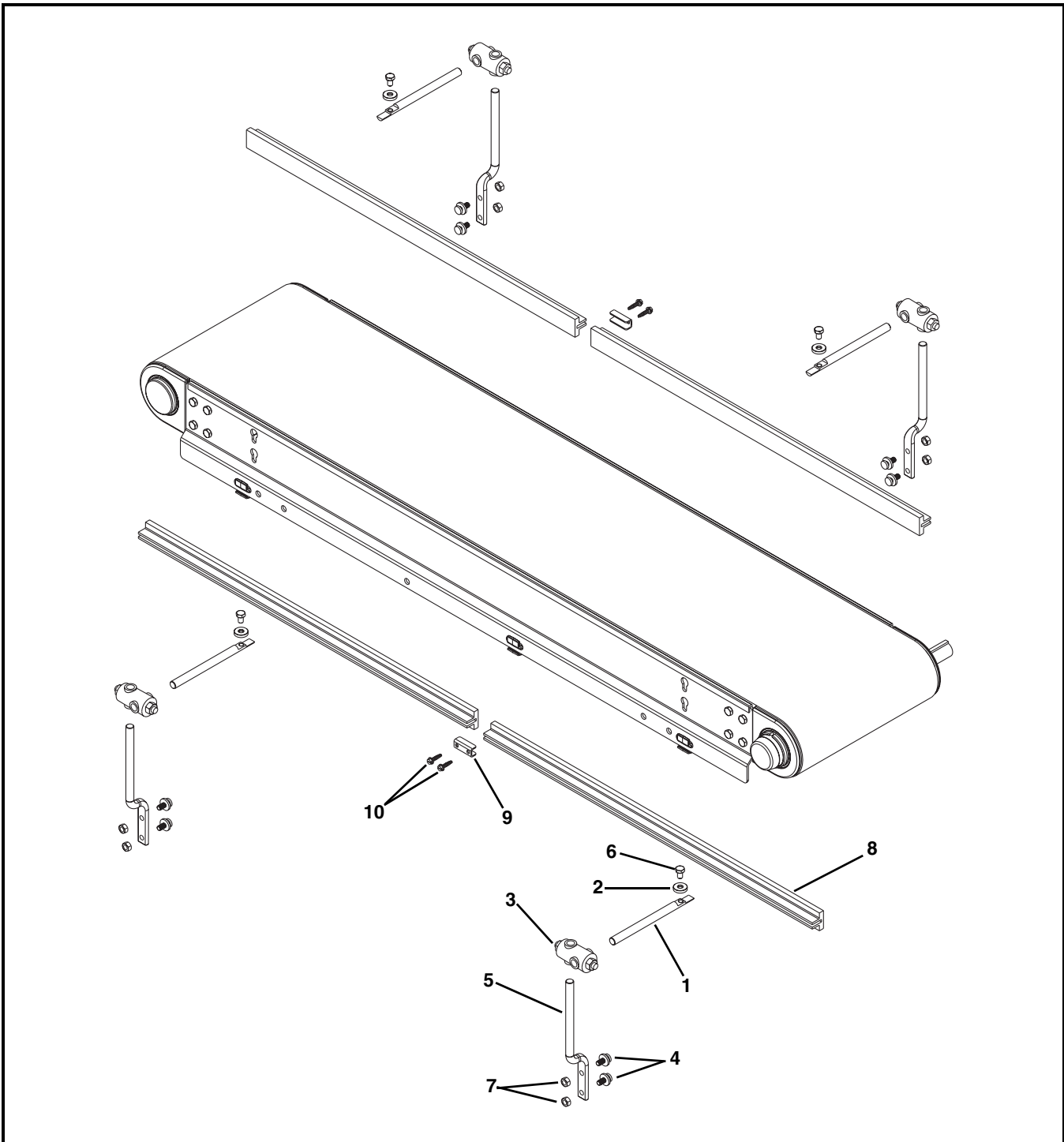


Item	Part Number	Description
1	901414	Rail Clamp
2	807-1470	Cross Block Clamp
3	532191	Carriage Bolt M8 x 20mm
4	532192	Offset Guide Post
5	532300	Post Guide
6	960812MSS	Hex Head Cap Screw M8-1.25 x 12mm

Item	Part Number	Description
7	990801MSS	Hex Nut
8	532167-LLLLL	Round Guide Rail for Straight Conveyor Section
	532258-LLLLL	Round Guide Rail for Curve Conveyor Section
LLLLL = Length in inches with 2 decimal places. Length Example: Length = 95.25" LLLLL = 09525		

Service Parts

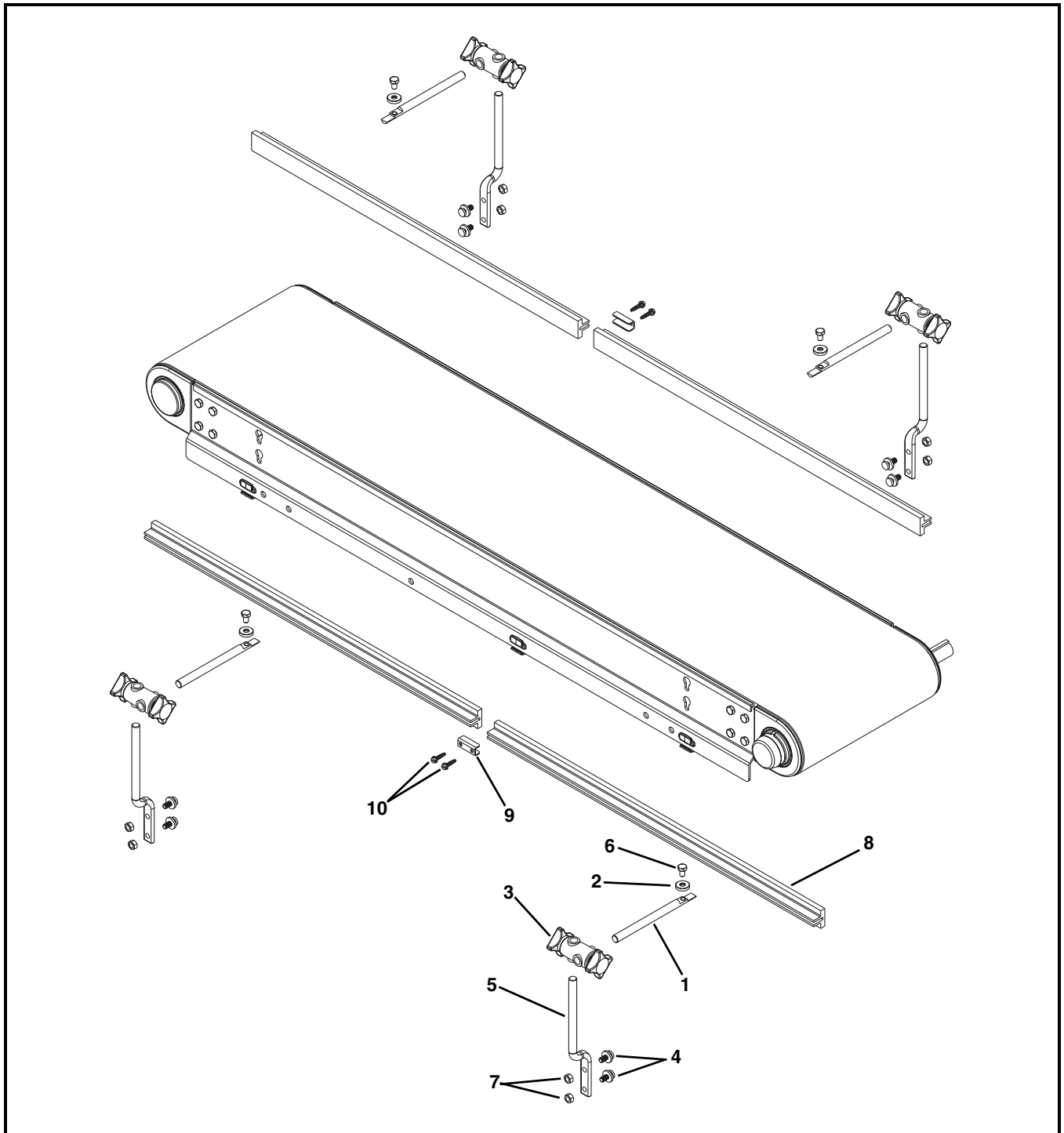
Fully Adjustable 1" (25 mm) Flat Guides



Item	Part Number	Description
1	532178	Rod Clamp
2	532179	Washer
3	807-1387	Cross Block Clamp
4	532191	Carriage Bolt M8 x 20mm
5	532192	Offset Guide Post
6	960812MSS	Hex Head Cap Screw M8-1.25 x 12mm
7	990801MSS	Hex Nut

Item	Part Number	Description
8	532170- <u>LLLLL</u>	Round Guide Rail
	532171- <u>LLLLL</u>	Round Guide Rail for Inside of Curve Section
9	532195	Guide Connecting Clip
10	807-1840	Hex Head Washer Screw
<u>LLLLL</u> = Length in inches with 2 decimal places.		
Length Example: Length = 95.25" <u>LLLLL</u> = 09525		

Tool-Less Fully Adjustable 1" (25 mm) Flat Guides

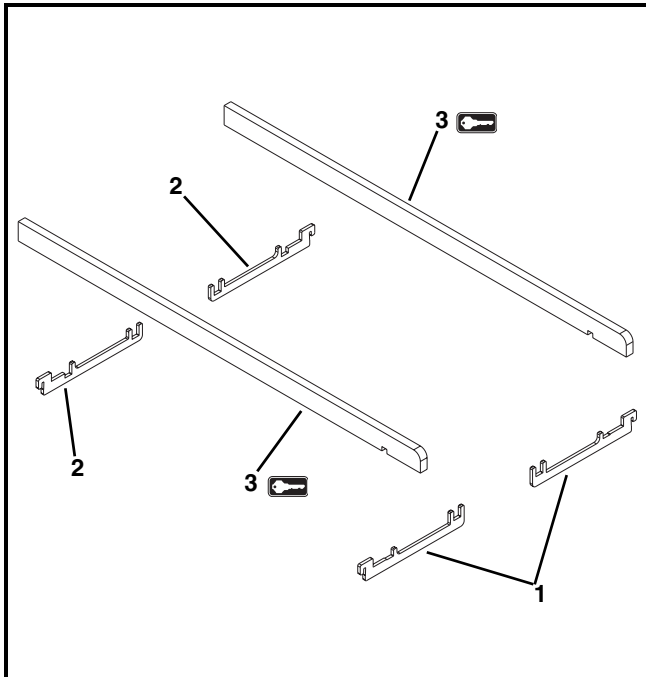


Item	Part Number	Description
1	532178	Rod Clamp
2	532179	Washer
3	807-1470	Cross Block Clamp
4	532191	Carriage Bolt M8 x 20mm
5	532192	Offset Guide Post
6	960812MSS	Hex Head Cap Screw M8-1.25 x 12mm
7	990801MSS	Hex Nut


Item	Part Number	Description
8	532170-LLLLL	Round Guide Rail
	532171-LLLLL	Round Guide Rail for Inside of Curve Section
9	532195	Guide Connecting Clip
10	807-1840	Hex Head Washer Screw
LLLLL = Length in inches with 2 decimal places.		
Length Example: Length = 95.25" LLLLL = 09525		

Service Parts

Belt Returns




Item	Part Number	Description
1	532154	Front Return Support
2	532153	Return Support
3	532223- <u>LLLLL</u>	Wear Strips

 LLLLL = Length in inches with 2 decimal places.
Length Example: Length = 95.25" LLLLL = 09525

Flat Belt Chain Repair Kit



Item	Part Number	Description
1 	52 <u>BB</u> - <u>WW</u>	Flat Belt Chain Repair Kit (Includes 1 ft (305 mm) of flat belt chain and assembly pins)
<u>BB</u> = Chain Reference number		
<u>WW</u> = Conveyor width ref: 04 - 36 in 02 increments		

Ordering a Replacement Chain

Determine the length of chain required for the conveyor and round up to the nearest foot length. Order the proper number of chain repair kits (1' long each) for your conveyor. Dorner will ship chain kits that are of a reasonable length fully assembled

Example:

Overall chain length = 42' 5" (rounded up = 43')

Order: Qty (43) of 52BB-WW

BB = Chain reference number

WW = Conveyor width ref: 04-36 in 02 increments

Return Policy

Returns must have prior written factory authorization or they will not be accepted. Items that are returned to Dorner without authorization will not be credited nor returned to the original sender. When calling for authorization, please have the following information ready for the Dorner factory representative or your local distributor:

1. Name and address of customer.
2. Dorner part number(s) of item(s) being returned.
3. Reason for return.
4. Customer's original order number used when ordering the item(s).
5. Dorner or distributor invoice number (if available, part serial number).

A representative will discuss action to be taken on the returned items and provide a Returned Goods Authorization (RMA) number for reference. RMA will automatically close 30 days after being issued. To get credit, items must be new and undamaged. There will be a return charge on all items returned for credit, where Dorner was not at fault. It is the customer's responsibility to prevent damage during return shipping. Damaged or modified items will not be accepted. The customer is responsible for return freight.

Conveyors and conveyor accessories

Standard catalog conveyors	30%
MPB, 7200, 7300 Series, cleated and specialty belt	50%
AquaGard & AquaPruf Series conveyors	non-returnable items
Engineered special products	case by case
Drives and accessories	30%
Sanitary stand supports	non-returnable items

Parts

Standard stock parts	30%
Plastic chain, cleated and specialty belts	non-returnable items

Returns will not be accepted after 60 days from original invoice date. The return charge covers inspection, cleaning, disassembly, disposal and reissuing of components to inventory. If a replacement is needed prior to evaluation of returned item, a purchase order must be issued. Credit (if any) is issued only after return and evaluation is complete.

Dorner has representatives throughout the world. Contact Dorner for the name of your local representative. Our Customer Service Teams will gladly help with your questions on Dorner products.

For a copy of Dorner's Warranty, contact factory, distributor, service center or visit our website at www.dorner.com.

For replacement parts, contact an authorized Dorner Service Center or the factory.



Dorner Mfg. Corp. reserves the right to change or discontinue products without notice. All products and services are covered in accordance with our standard warranty. All rights reserved. © Dorner Mfg. Corp. 2009

DORNER MFG. CORP.

975 Cottonwood Ave., PO Box 20
Hartland, WI 53029-0020 USA
TEL 1-800-397-8664 (USA)
FAX 1-800-369-2440 (USA)
Internet: www.dorner.com

Outside the USA:
TEL 1-262-367-7600
FAX 1-262-367-5827