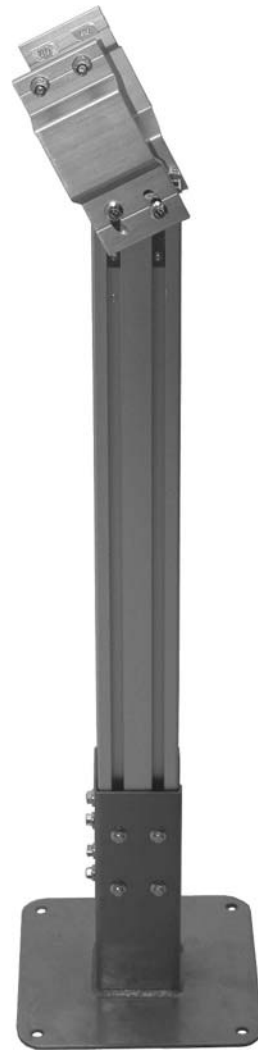




Support Post

Installation, Maintenance & Parts Manual



DORNER MFG. CORP.
P.O. Box 20 • 975 Cottonwood Ave.
Hartland, WI 53029-0020 USA

INSIDE THE USA
TEL: 1-800-397-8664
FAX: 1-800-369-2440

OUTSIDE THE USA
TEL: 262-367-7600
FAX: 262-367-5827

For other service manuals visit our website at:
www.dorner.com/service_manuals.asp

Table of Contents

Introduction	2	Attach Dual Side Support Post to 180° Curve Frame	7
Warnings - General Safety	3	Preventive Maintenance and Adjustment	8
Product Description	4	Support Post Height Adjustment	8
Specifications	5	Required Tools	8
Support Post	5	Conveyor Angle Adjustment	9
SmartFlex Support Post	5	Required Tools	9
3200 Support Post	5	Service Parts	10
Installation	6	3200 Support Post	10
Required Tools	6	SmartFlex Support Post - Conveyor Frame Mount	11
Recommended Installation Sequence	6	SmartFlex Support Post - Motor Mount	12
Attach Support Post to Conveyor Frame	7	SmartFlex Dual Side Support Post	13
Attach Support Post to Motor	7	Return Policy	14

Introduction

IMPORTANT

<i>Some illustrations may show guards removed. DO NOT operate equipment without guards.</i>

Upon receipt of shipment:

- Compare shipment with packing slip. Contact factory regarding discrepancies.
- Inspect packages for shipping damage. Contact carrier regarding damage.
- Accessories may be shipped loose. See accessory instructions for installation.

Dorner's Limited Warranty applies.

Dorner reserves the right to make changes at any time without notice or obligation.

Warnings - General Safety

⚠ WARNING

The safety alert symbol, black triangle with white exclamation, is used to alert you to potential personal injury hazards.

⚠ DANGER



Climbing, sitting, walking or riding on conveyor will cause severe injury.
KEEP OFF CONVEYORS.

⚠ DANGER



DO NOT OPERATE CONVEYORS IN AN EXPLOSIVE ENVIRONMENT.

⚠ DANGER



Supports marked with this symbol must be anchored to the floor. Supports not anchored to floor will tip, causing severe injury or death.
SUPPORT MUST BE ANCHORED TO FLOOR.

⚠ WARNING



Exposed moving parts can cause severe injury.
LOCK OUT POWER before removing guards or performing maintenance.

⚠ WARNING



Loosening stand height or angle adjustment screws may cause conveyor sections to drop down, causing severe injury.

SUPPORT CONVEYOR SECTIONS PRIOR TO LOOSENING STAND HEIGHT OR ANGLE ADJUSTMENT SCREWS.

⚠ WARNING



Dorner cannot control the physical installation and application of conveyors. Taking protective measures is the responsibility of the user.

When conveyors are used in conjunction with other equipment or as part of a multiple conveyor system, **CHECK FOR POTENTIAL PINCH POINTS** and other mechanical hazards before system start-up.

Product Description

Refer to **Figure 1** for typical stand components.

- | | |
|---|-------------------------|
| 1 | Support Stand Bracket |
| 2 | Angle Adjustment Point |
| 3 | Height Adjustment Point |
| 4 | Leg Assembly |
| 5 | Stand Foot |

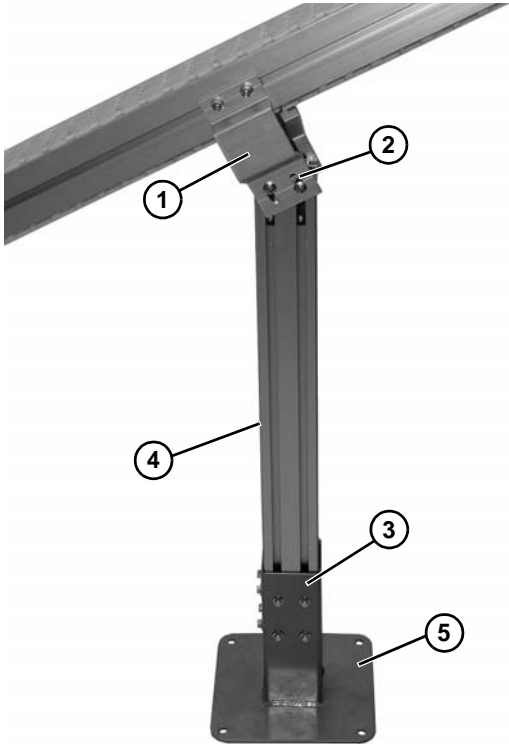
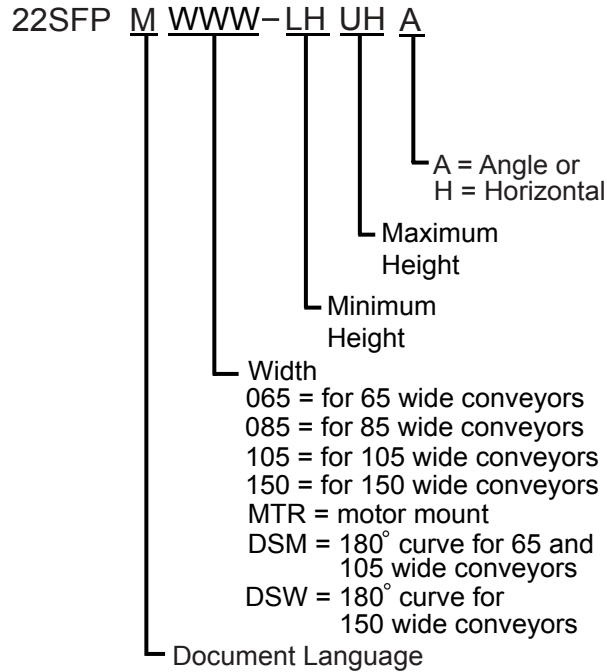


Figure 1

Specifications

Support Post

SmartFlex Support Post



Example: 22SFPM105-2428H

SmartFlex Support post for 4" (105 mm) wide conveyor and a height range of 24" (609 mm) to 28" (711 mm) (**Figure 2, item 1**) mounted horizontal.

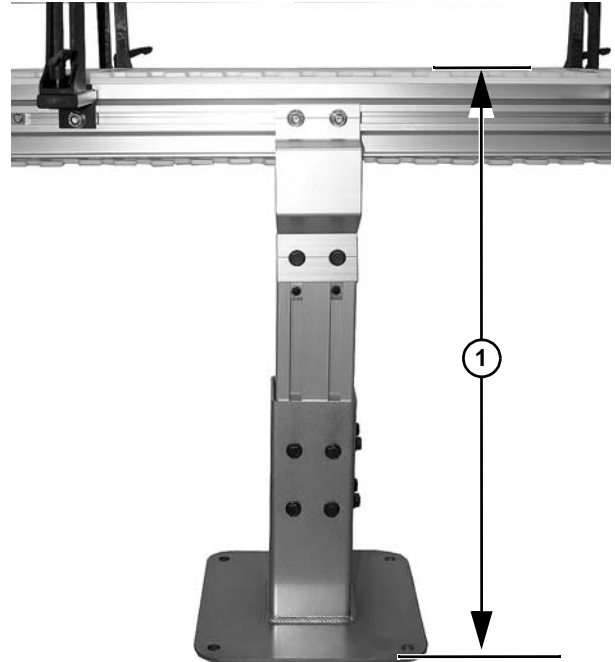
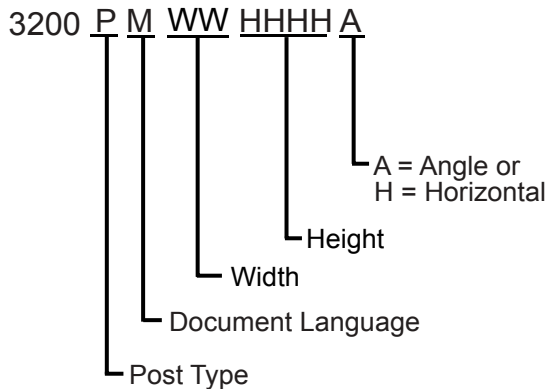


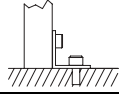
Figure 2

3200 Support Post



Installation

⚠ DANGER



Supports marked with this symbol must be anchored to the floor. Supports not anchored to floor will tip, causing severe injury or death.

SUPPORT MUST BE ANCHORED TO FLOOR.

⚠ WARNING



Exposed moving parts can cause severe injury.

LOCK OUT POWER before removing guards or performing maintenance.

Typical components (Figure 3).

1	Nut Bar, M8 x 35 mm
2	Mounting Bracket
3	Nylon Rivet
4	Tube Cover
5	Post Extrusion
6	Stand Foot
7	Nut Bar, M8 x 80 mm
8	Socket Head Screw, M6-1.00 x 16 mm
9	Cup Set Screw, M8-1.25 x 10 mm
10	Stud, M8 x 20 mm
11	Hex Nut, M8-1.25

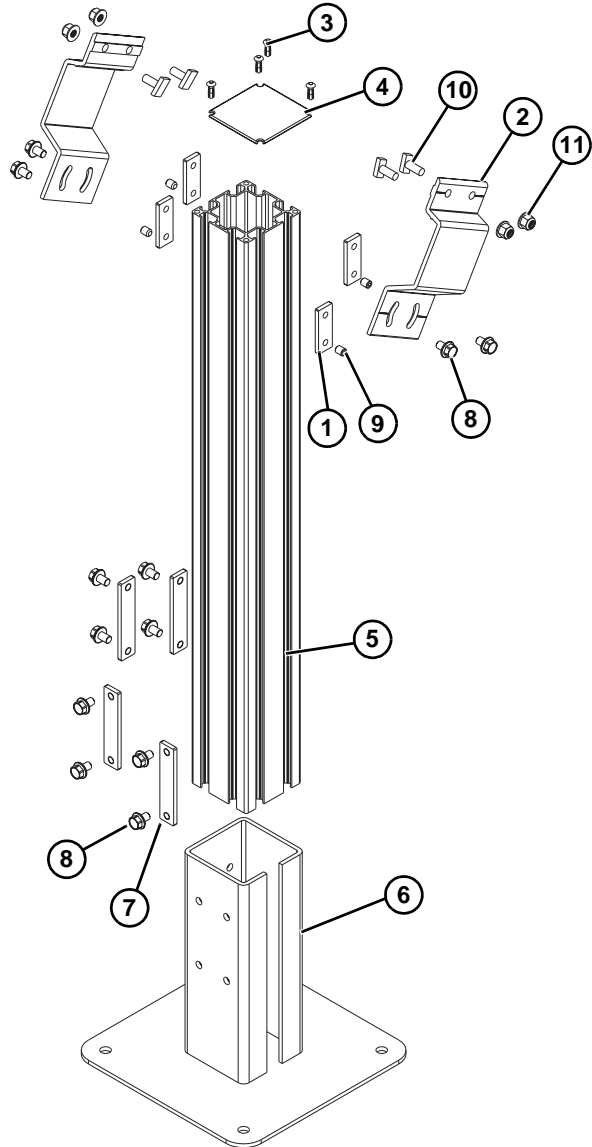


Figure 3

Required Tools

- 5 mm Hex Key Wrench
- 13 mm wrench

Recommended Installation Sequence

(See Table of Contents for page numbers.)

- Locate and arrange stands
- Attach support post to conveyor frame
- Attach support post to motor
- Attach dual side support post to 180° curve frame

Attach Support Post to Conveyor Frame

1. Insert studs (Figure 4, item 1) into conveyor side slots (Figure 4, item 2).

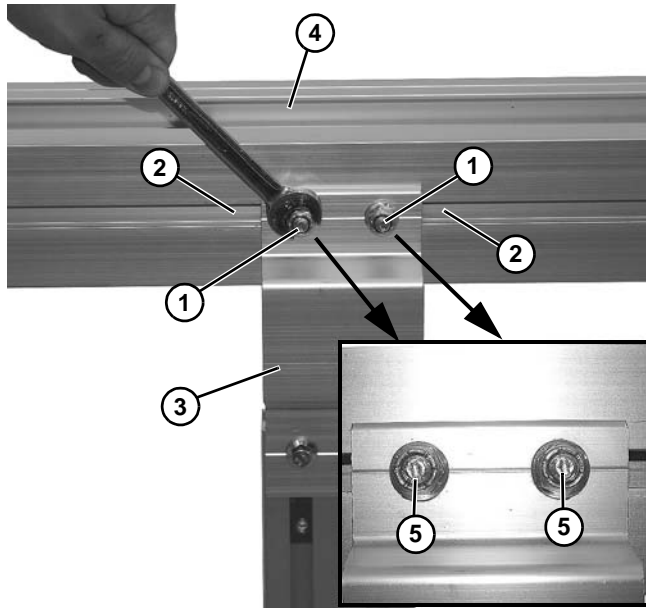


Figure 4

2. Install support post mounting bracket (Figure 4, item 3) onto two studs (Figure 4, item 1) installed on conveyor frame (Figure 4, item 4) with two nuts.

NOTE

Be certain that slot (Figure 4, item 5) is close to vertical when finished tightening nut.

Attach Support Post to Motor

1. Install gearmotor mount (Figure 5, item 1) onto motor (Figure 5, item 2) with four socket head screws (Figure 5, item 3).

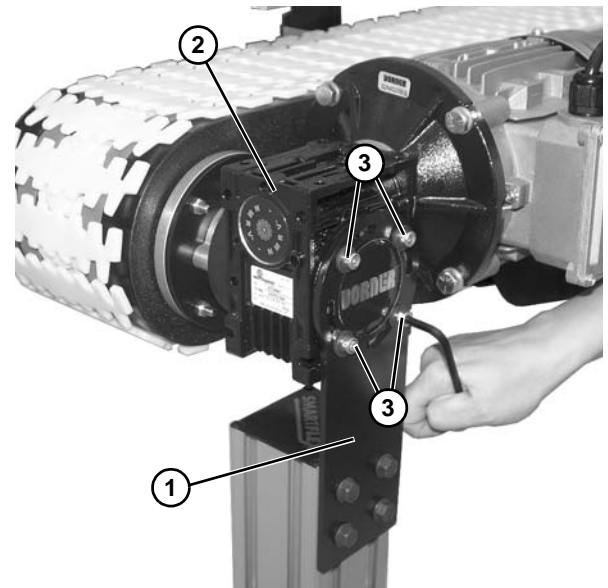


Figure 5

Attach Dual Side Support Post to 180° Curve Frame

1. Install 180° curve mount (Figure 6, item 1) onto 180° curve (Figure 6, item 2) with four socket head screws (Figure 6, item 3) and nuts.

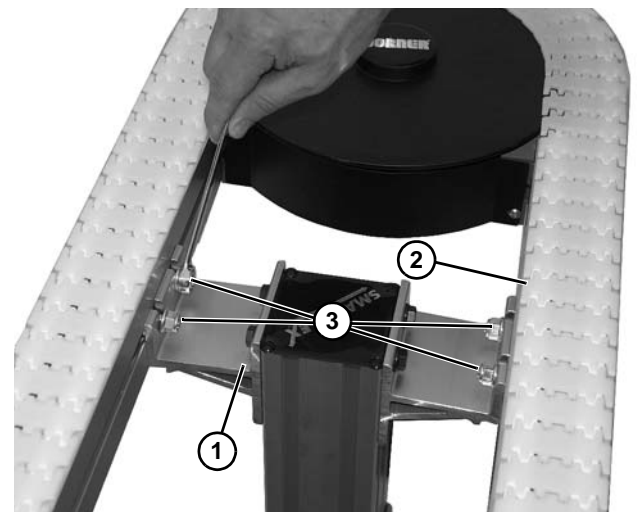


Figure 6

NOTE


Be certain that slots on end of bolts (Figure 6, item 3) is close to vertical when finished tightening nut.


Preventive Maintenance and Adjustment

Support Post Height Adjustment


Required Tools

- 13 mm Wrench

⚠ WARNING

<p>Exposed moving parts can cause severe injury. LOCK OUT POWER before removing guards or performing maintenance.</p>

⚠ WARNING

<p>Loosening stand height or angle adjustment screws may cause conveyor sections to drop down, causing severe injury.</p> <p>SUPPORT CONVEYOR SECTIONS PRIOR TO LOOSENING STAND HEIGHT OR ANGLE ADJUSTMENT SCREWS.</p>

1. Support conveyor section.
2. To adjust stand foot (Figure 7, item 1), loosen eight socket head screws (Figure 7, item 2) and adjust stand legs (Figure 7, item 3) up or down to the required height. If necessary, adjust height of each leg support until conveyor is level from side to side.

⚠ WARNING

<p>Failure to secure screws (Figure 7, item 2) may cause conveyor sections to drop down causing severe injury.</p> <p>TIGHTEN SCREWS (Figure 7, item 2) AFTER ADJUSTMENT.</p>

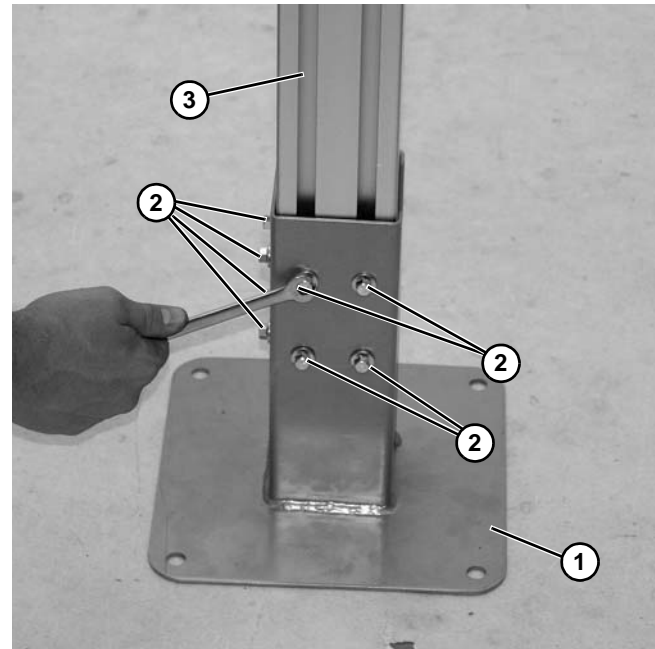


Figure 7


3. Tighten four flange socket head screws (Figure 7, item 2) to 24 ft-lb (33 N-m).

Preventive Maintenance and Adjustment

Conveyor Angle Adjustment

Required Tools

- 13 mm Wrench

⚠ WARNING

<p>Loosening stand height or angle adjustment screws may cause conveyor sections to drop down, causing severe injury.</p> <p>SUPPORT CONVEYOR SECTIONS PRIOR TO LOOSENING STAND HEIGHT OR ANGLE ADJUSTMENT SCREWS.</p>

1. Loosen two flange socket head screws (**Figure 8, item 1**) on both sides of stand.

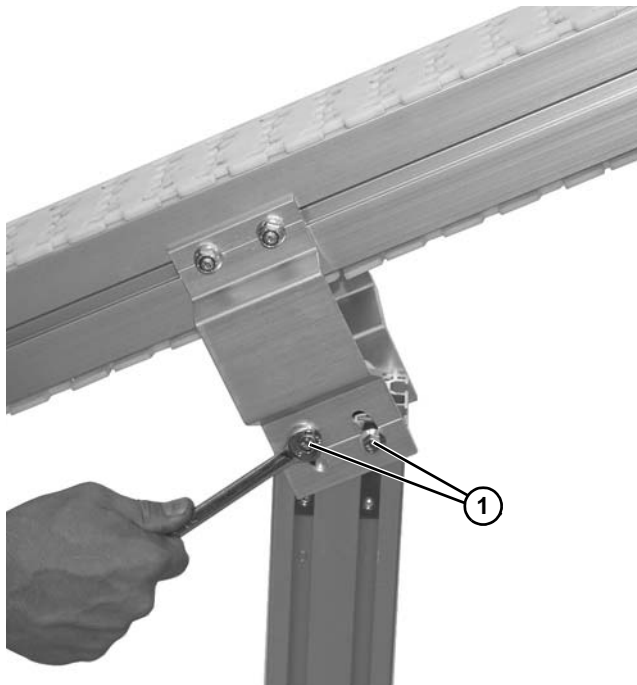



Figure 8

2. Adjust conveyor to desired angle.

⚠ WARNING

<p>Failure to secure screws (Figure 8, item 1) may cause conveyor sections to drop down, causing severe injury.</p> <p>TIGHTEN SCREWS (Figure 8, item 1) AFTER ADJUSTMENT.</p>

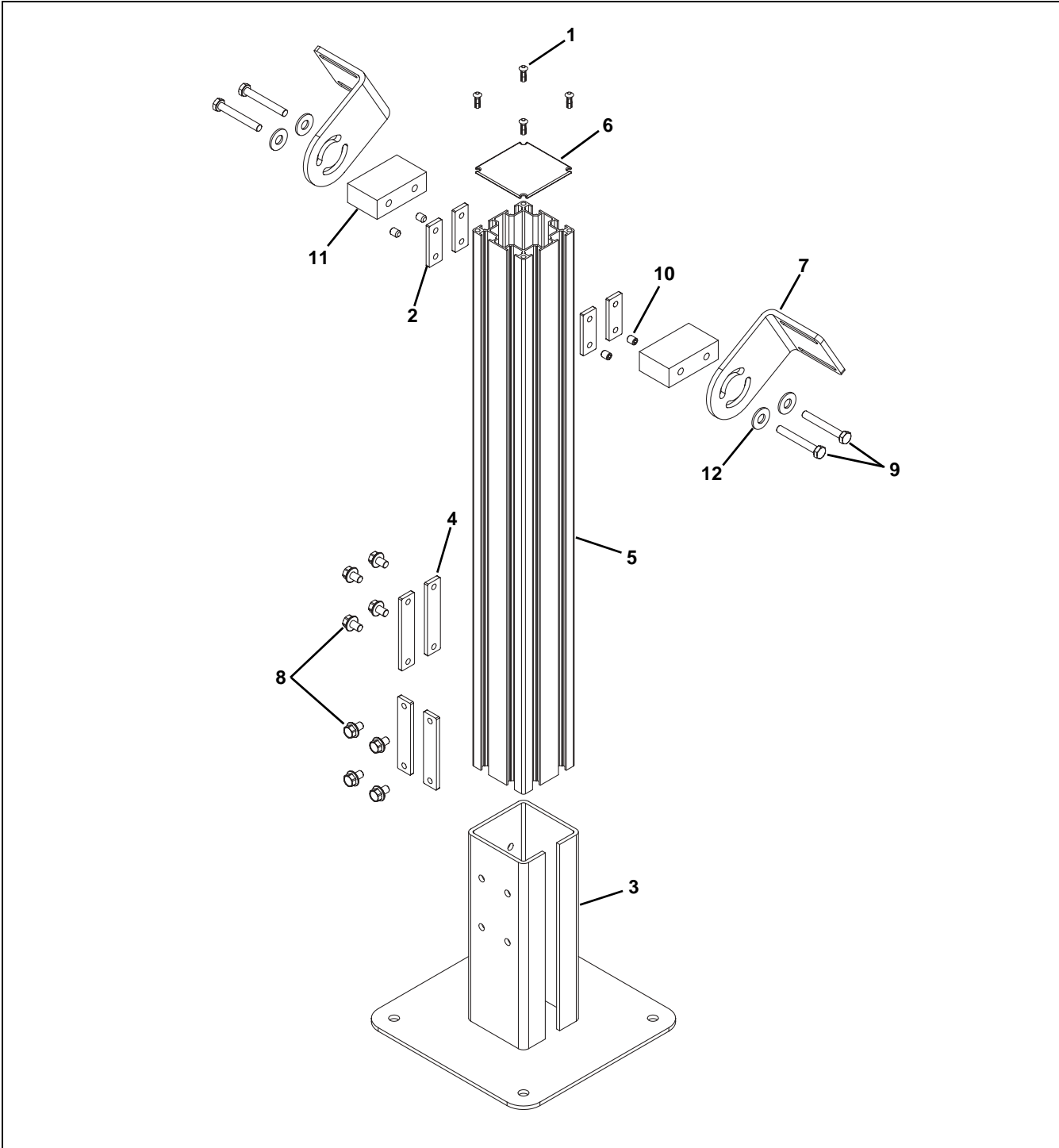
3. Secure flange socket screws (**Figure 8, item 1**) to 24 ft-lb (18 Nm).

Service Parts

NOTE

For replacement parts other than those shown on this page, contact an authorized Dorner Service Center or the factory.

3200 Support Post



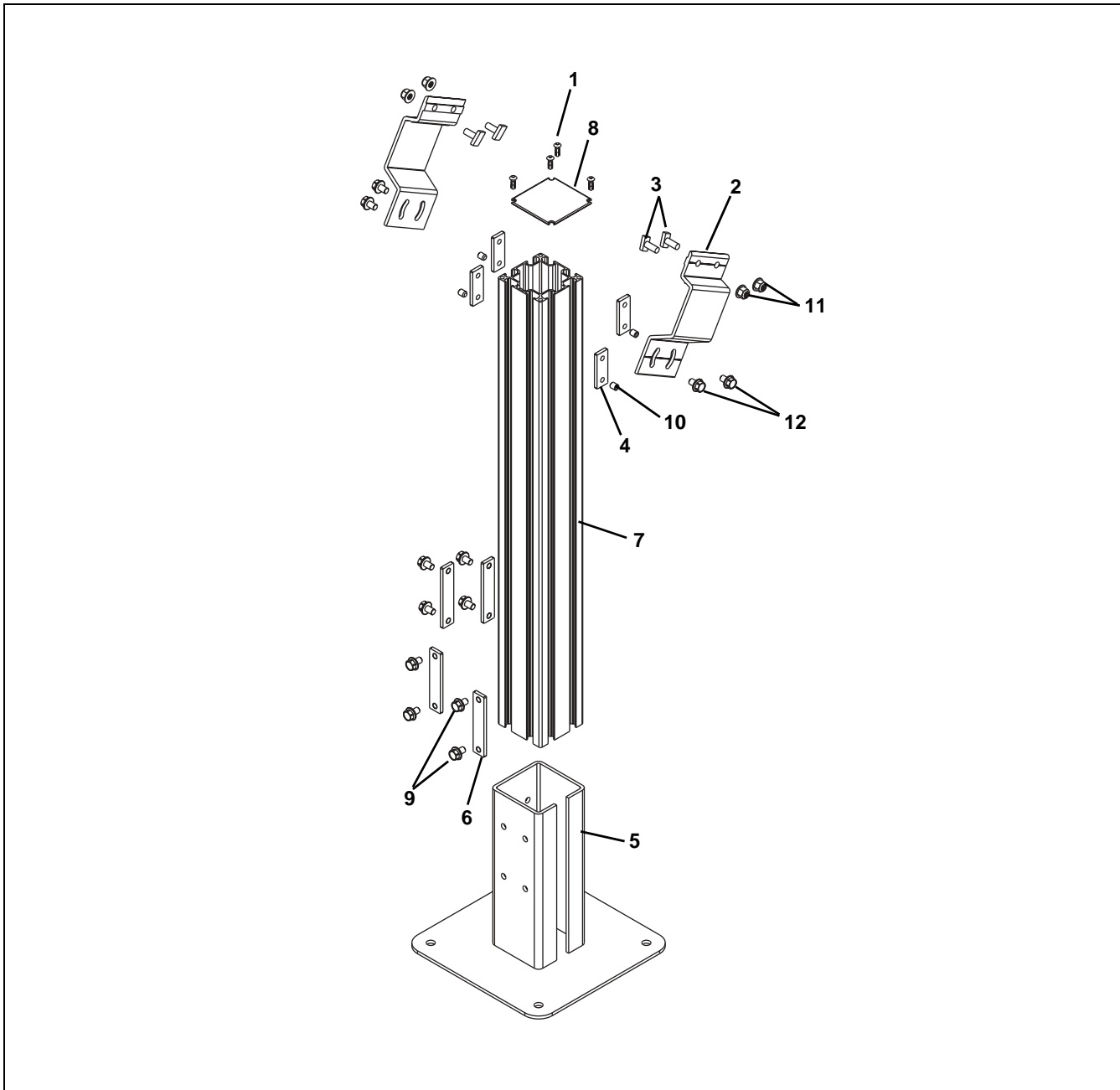
Support Post

Service Parts

Item	Part Number	Description
1	807-2273	Rivet
2	834-FBCS-20x55	Connecting Strip, 20 x 55 mm
3	834-FBFT-80B	Stand Foot
4	834-FBCS-20x96	Connecting Strip, 20 x 96 mm
5	203164-LLLLL	Post Extrusion
6	203165	Tube Cover
7	351042	Bracket (For 2" - 5" wide stands flip brackets inward)
8	960882M	Flange Head Cap Screw, M8-1.25 x 12 mm
9	960860M	Hex Head Cap Screw, M8-1.25 x 60 mm (For 2" - 5" and 10" - 12" wide stands)
	960816M	Hex Head Cap Screw, M8-1.25 x 16 mm (For 6" - 8" wide stands)
10	970810M	Cup Set Screw, M8-1.25 x 10 mm
11	351043	Spacer
12	811-535	Washer
LLLLL = Length in inches with 2 decimal places.		
Length Example: Length = 35.25" LLLLL = 03525		

Service Parts

SmartFlex Support Post - Conveyor Frame Mount

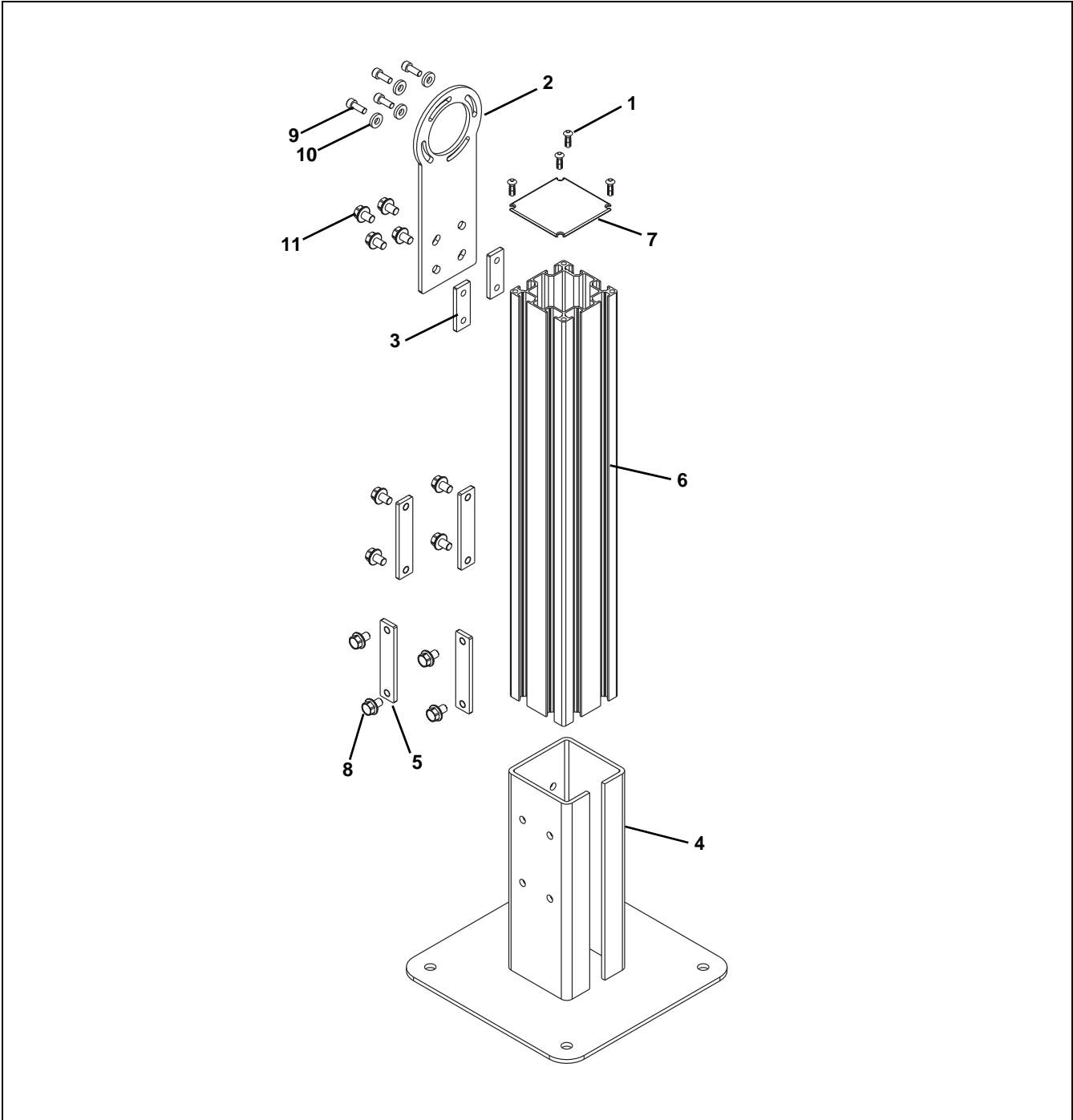


Item	Part Number	Description
1	807-2273	Nylon Rivet
2	834-FAVBS-80S	Mounting Bracket for 065 Width Horizontal Mount Conveyors
	834-FAVBS-80M	Mounting Bracket for 085 Width Horizontal Mount Conveyors
	834-FAVBS-80C	Mounting Bracket for 105 Width Horizontal Mount Conveyors
	834-FAVBS-80L	Mounting Bracket for 150 Width Horizontal Mount Conveyors
	210830- <u>WWW</u>	Mounting Bracket for Angle Mount Conveyors
3	834-FATB-20	Stud, M8 x 20 mm
4	834-FBCS-20x55	Connecting Strip, 20 x 55 mm

Item	Part Number	Description
5	834-FBFT-80B	Stand Foot
6	834-FBCS-20x96	Connecting Strip, 20 x 96 mm
7	203164- <u>LLLLL</u>	Post Extrusion
8	203165	Tube Cover
9	960882M	Flange Head Cap Screw, M8-1.25 x 12 mm
10	970810M	Cup Set Screw, M8-1.25 x 10 mm
11	990812M	Hex Nut, M8-1.25
12	960883M	Flange Head Cap Screw, M8-1.25 x 16 mm
		<u>WWW</u> = Conveyor width reference: 065, 105, 150
		<u>LLLLL</u> = Length in inches with 2 decimal places.
		Length Example: Length = 95.25" <u>LLLLL</u> = 09525

Support Post

SmartFlex Support Post - Motor Mount

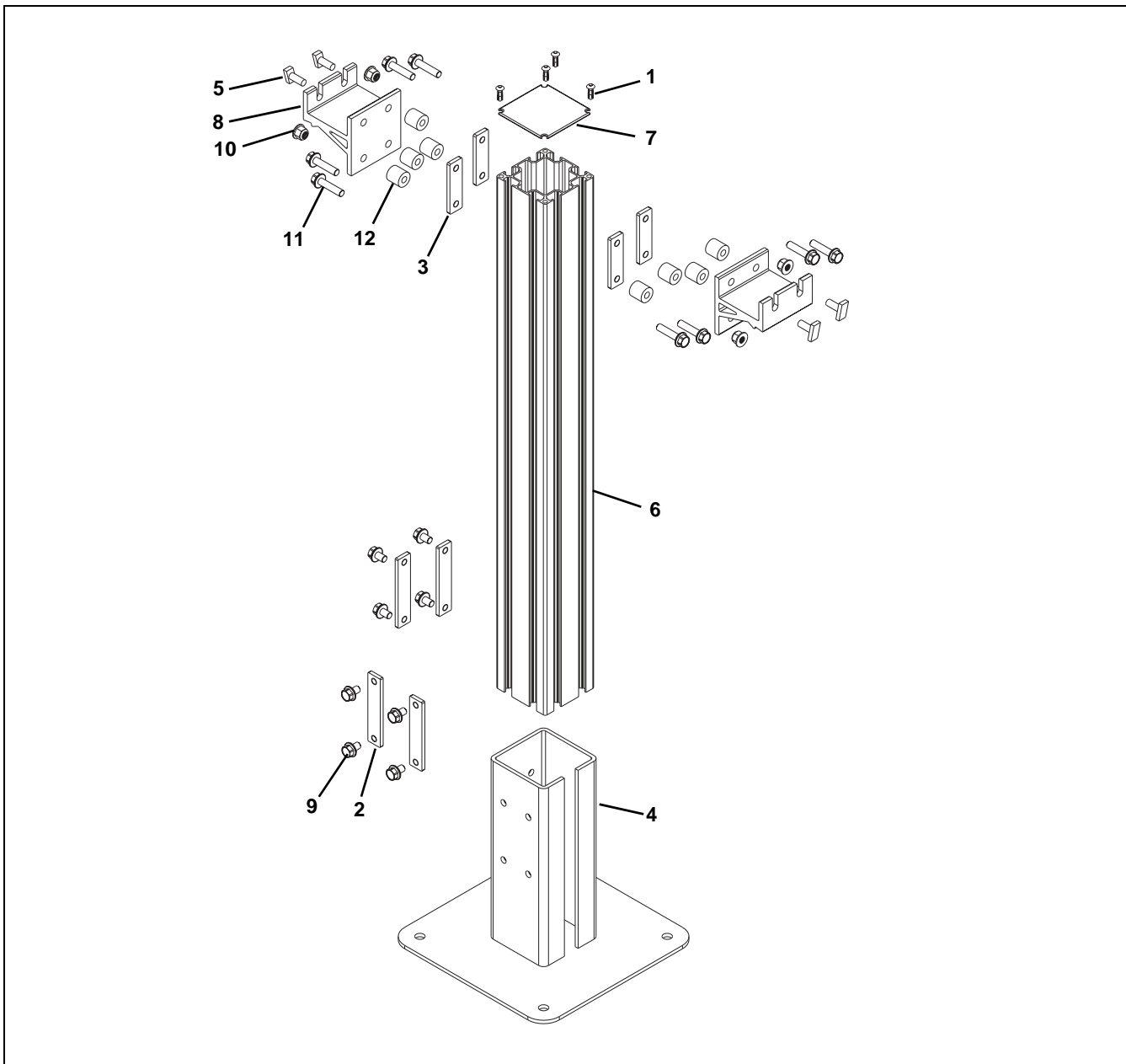


Item	Part Number	Description
1	807-2273	Nylon Rivet
2	203163	Gearmotor Mount
3	834-FBCS-20x55	Connecting Strip, 20 x 55 mm
4	834-FBFT-80B	Stand Foot
5	834-FBCS-20x96	Connecting Strip, 20 x 96 mm
6	203164-LLLLL	Post Extrusion
7	203165	Tube Cover
8	960882M	Flange Head Cap Screw, M8-1.25 x 12 mm

Item	Part Number	Description
9	920616M	Socket Head Screw, M6-1.00 x 16 mm
10	605279P	Washer
11	960883M	Flange Head Cap Screw, M8-1.25 x 16 mm
LLLLL = Length in inches with 2 decimal places.		
Length Example: Length = 95.25" LLLLL = 09525		

Service Parts

SmartFlex Dual Side Support Post



Item	Part Number	Description
1	807-2273	Nylon Rivet
2	834-FBCS-20x96	Connecting Strip, 20 x 96 mm
3	203067	Nut Bar, M8 x 50 mm
4	834-FBFT-80B	Stand Foot
5	807-007	Stud, M8 x 20 mm
6	203164-LLLLL	Post Extrusion
7	203165	Tube Cover
8	834-FAAL-80	Side Mounting Bracket
9	960882M	Flange Head Cap Screw, M8-1.25 x 12 mm
10	990812M	Hex Nut

Item	Part Number	Description
11	960882M	Flange Head Cap Screw, M8-1.25 x 12 mm (for 65 & 105 width conveyors only)
	960887M	Flange Head Cap Screw, M8-1.25 x 35 mm (for 150 width conveyors)
12	807-2296	Spacer (for 150 width conveyors only)
LLLLL = Length in inches with 2 decimal places. Length Example: Length = 95.25" LLLLL = 09525		

Return Policy

Returns must have prior written factory authorization or they will not be accepted. Items that are returned to Dorner without authorization will not be credited nor returned to the original sender. When calling for authorization, please have the following information ready for the Dorner factory representative or your local distributor:

1. Name and address of customer.
2. Dorner part number(s) of item(s) being returned.
3. Reason for return.
4. Customer's original order number used when ordering the item(s).
5. Dorner or distributor invoice number (if available, part serial number).

A representative will discuss action to be taken on the returned items and provide a Returned Goods Authorization (RMA) number for reference. RMA will automatically close 30 days after being issued. To get credit, items must be new and undamaged. There will be a return charge on all items returned for credit, where Dorner was not at fault. It is the customer's responsibility to prevent damage during return shipping. Damaged or modified items will not be accepted. The customer is responsible for return freight.


Product Type									
Standard Products									Engineered to order parts
Product Line	Conveyors	Gearmotors & Mounting Packages	Support Stands	Accessories	Spare Parts (non-belt)	Spare Belts - Standard Flat Fabric	Spare Belts - Cleated & Specialty Fabric	Spare Belts - Plastic Chain	All equipment and parts
1100	30% return fee for all products except: 50% return fee for conveyors with modular belt, cleated belt or specialty belts						non-returnable		case-by-case
2200									
2200 Modular Belt									
2200 Precision Move									
2300									
2300 Modular Belt									
3200									
3200 LPZ									
3200 Precision Move									
4100									
5200									
5300									
6200									
Controls									
7200 / 7300	50% return fee for all products								
7350	non-returnable								
7360									
7400									
7600									

Returns will not be accepted after 60 days from original invoice date. The return charge covers inspection, cleaning, disassembly, disposal and reissuing of components to inventory. If a replacement is needed prior to evaluation of returned item, a purchase order must be issued. Credit (if any) is issued only after return and evaluation is complete.

Dorner has representatives throughout the world. Contact Dorner for the name of your local representative. Our Customer Service Team will gladly help with your questions on Dorner products.

For a copy of Dorner's Warranty, contact factory, distributor, service center or visit our website at www.dorner.com.

For replacement parts, contact an authorized Dorner Service Center or the factory.

 <p>Dorner Mfg. Corp. reserves the right to change or discontinue products without notice. All products and services are covered in accordance with our standard warranty. All rights reserved. © Dorner Mfg. Corp. 2014</p>	<p>DORNER MFG. CORP. 975 Cottonwood Ave., PO Box 20 Hartland, WI 53029-0020 USA TEL 1-800-397-8664 (USA) FAX 1-800-369-2440 (USA) Internet: www.dorner.com</p>	<p>Outside the USA: TEL 1-262-367-7600 FAX 1-262-367-5827</p>
-----------------------------------------------------------------------------------------------------------------------------------------------------------------------------------------------------------------------------------------------------------------------------------------------------------------	--------------------------------------------------------------------------------------------------------------------------------------------------------------------------------------------------------------------------------------------------------------------------------------	---------------------------------------------------------------------------------------------