



7400 Series End Drive Conveyors

Installation, Maintenance and Parts Manual



Flat Belt Conveyor



Cleated Belt Conveyor

DORNER MFG. CORP.
P.O. Box 20 • 975 Cottonwood Ave.
Hartland, WI 53029-0020 USA

INSIDE THE USA
TEL: 1-800-397-8664
FAX: 1-800-369-2440

OUTSIDE THE USA
TEL: 262-367-7600
FAX: 262-367-5827

For other service manuals visit our website at:
www.dorner.com/service_manuals.asp

Table of Contents

Introduction	2	Conveyors with Guides.....	17
Warnings – General Safety.....	3	Standard Belts	17
Product Description	4	Replacing a Section of Belt.....	17
Specifications	4	Replacing the Entire Belt	18
Flat Belt 7400 Series Conveyor	4	Specialty Intralox 1100 Series Belts.....	18
Cleated Belt 7400 Series Conveyor	4	Replacing a Section of Belt.....	18
Conveyor Supports	5	Replacing the Entire Belt	19
Installation	6	Specialty Intralox 1600 Series Belts.....	19
Required Tools.....	6	Replacing a Section of Belt.....	19
Recommended Installation Sequence	6	Replacing the Entire Belt	19
Conveyors up to 10 ft (3048 mm).....	6	Conveyor Belt Tensioning.....	20
Stand Installation.....	6	Sprocket and Puck Removal.....	20
Tail Assembly Installation	7	A - Drive Sprocket Removal	21
Drive Tail.....	7	B - Idler Puck Removal	22
Idler Tail	7	Reassembling Tail Assemblies.....	23
Tip Up Tail	8	Idler Tail and Tip Up Tail.....	23
Nose Bar Idler Tail	9	Drive Tail.....	23
Nose Bar Tip Up Tail	9	Bearing Replacement	25
Lifter Installation.....	11	Service Parts.....	26
Wear Strip Installation	11	Drive End Components	26
Belt Installation	12	Tension End Components	28
Belt Return Installation	13	Tip Up Tension End	29
Conveyors Longer than 10 ft (3048 mm)	14	Nose Bar Tension End.....	30
Preventive Maintenance and Adjustment.....	15	Nose Bar Tip Up Tension End	31
Required Tools.....	15	Conveyor Frame and Extension	32
Checklist	15	3" (76 mm) High Sides.....	33
Cleaning	15	Cleated 1" (25 mm) Guides	34
Routine Cleaning.....	15	Cleated 3" (76 mm) Guides	35
Standard Conveyors.....	15	Flat Belt Returns.....	36
Conveyors with Tip Up Tails and Lifters	15	Cleated Belt Returns	36
Periodic Cleaning	16	Flat Belt	37
Lubrication.....	16	Cleated Belt	37
Conveyor Bearings.....	16	Ordering a Replacement Chain	37
Wearstrips and Belt Returns	16	Belt Removal Tool	37
Maintaining the Conveyor Belt.....	16	Configuring Conveyor Part Number	38
Troubleshooting	16	Return Policy	40
Conveyor Belt Replacement	17		

Introduction

CAUTION

Some illustrations may show guards removed. DO NOT operate equipment without guards.


Upon receipt of shipment:

- Compare shipment with packing slip. Contact factory regarding discrepancies.
- Inspect packages for shipping damage. Contact carrier regarding damage. Accessories may be shipped loose.
- See accessory instructions for installation.

The Dorner Limited Warranty applies.

Dorner 7400 Series conveyors have patents pending.

Dorner reserves the right to make changes at any time without notice or obligation.

Dorner has convenient, pre-configured kits of Key Service Parts for all conveyor products. These time saving kits are easy to order, designed for fast installation, and guarantee you will have what you need when you need it. Key Parts and Kits are marked in the Service Parts section of this manual with the Performance Parts Kits logo .

Intralox is a registered trademark of Laitram L.L.C. in the United States and / or other countries.


Warnings – General Safety

⚠ DANGER



SEVERE HAZARD!
KEEP OFF CONVEYORS. Climbing, sitting, walking or riding on conveyor will result in death or serious injury.


⚠ DANGER



EXPLOSION HAZARD!

- DO NOT OPERATE CONVEYORS IN AN EXPLOSIVE ENVIRONMENT. The electric gearmotor generates heat and could ignite combustible vapors.
- Failure to comply will result in death or serious injury.

⚠ WARNING



CRUSH HAZARD!

- DO NOT place hands or fingers inside the conveyor while it is running.
- DO NOT wear loose garments while operating the conveyor. Loose garments can become caught up in the conveyor.
- Failure to comply could result in serious injury.

⚠ WARNING



CRUSH HAZARD!

- SUPPORT CONVEYOR SECTIONS PRIOR TO LOOSENING STAND HEIGHT OR ANGLE ADJUSTMENT SCREWS.
- Loosening stand height or angle adjustment screws may cause conveyor sections to drop down, causing serious injury.

⚠ WARNING



SEVERE HAZARD!
LOCK OUT POWER before removing guards or performing maintenance. Exposed moving parts can cause serious injury.

⚠ WARNING




BURN HAZARD!
DO NOT TOUCH the motor while operating, or shortly after being turned off. Motors may be HOT and can cause serious burn injuries.

⚠ WARNING



PUNCTURE HAZARD!
Handle drive shaft keyway with care. It may be sharp and could puncture the skin, causing serious injury.

⚠ WARNING



SEVERE HAZARD!

- Dorner cannot control the physical installation and application of conveyors. Taking protective measures is the responsibility of the user.
- When conveyors are used in conjunction with other equipment or as part of a multiple conveyor system, CHECK FOR POTENTIAL PINCH POINTS and other mechanical hazards before system start-up.
- Failure to comply could result in serious injury.

Product Description

Refer to **(Figure 1)** for typical conveyor components.

Typical Components	
1	Conveyor
2	Gearmotor
3	Belt (Flat Belt Shown)
4	Return
5	Support Stands
6	Motor Controller
7	Drive End
8	Tension End

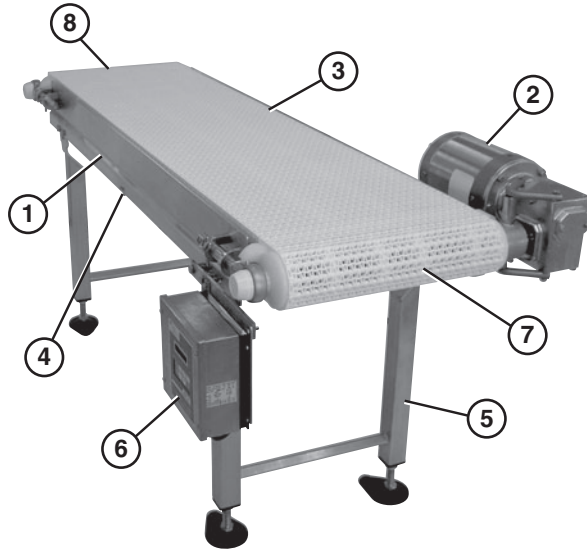
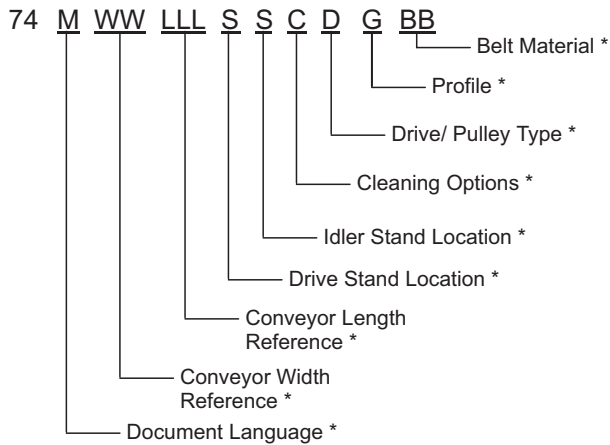


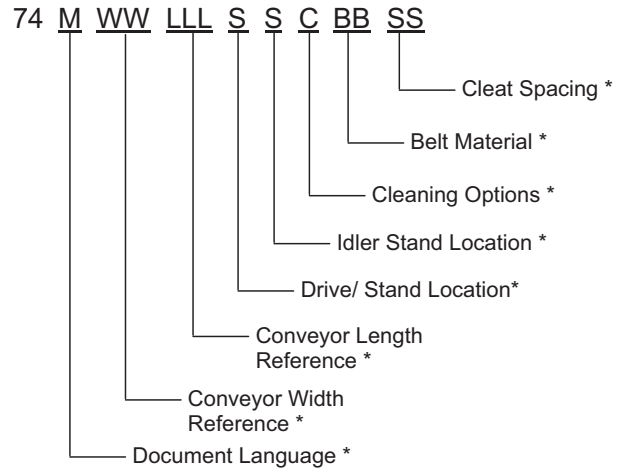
Figure 1

Specifications

Flat Belt 7400 Series Conveyor



Cleated Belt 7400 Series Conveyor



* Refer to "Ordering and Specifications" Catalog for details.

Specifications

Conveyor Supports

Maximum Distances:

1 = 3 ft (914 mm)

2 = 8 ft (2438 mm)**

3 = 3 ft (914 mm)

** For conveyors longer than 10 ft (3.05 m), install support at frame joint.

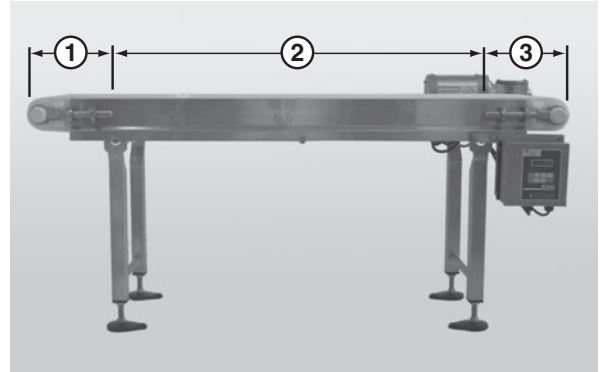


Figure 2

Specifications

Conveyor Width Reference (WW)	06 – 60 in 02 increments
Conveyor Belt Width	6" (152 mm) – 60" (1524 mm) in 2" (51 mm) increments
Maximum Conveyor Load	20 lb / ft ² (97 kg / m ²) with a maximum of 1000 lb / ft ² (4882 kg / m ²)
Belt Travel	12" (305 mm) per revolution of pulley
Maximum Belt Speed	233 ft / minute (71 m / minute)
Belt Take-up	2" (51 mm)

Conveyor Length Reference (LLL)	036 – 999 in 001 increments
Conveyor Length	36" (914 mm) – 999" (25.4 mm) in 1" (25 mm) increments

IMPORTANT

Maximum conveyor loads are based on:

- Non-accumulating product
- Product moving toward gearmotor
- Conveyor being mounted horizontally
- Conveyor being located in a dry environment
- Conveyor equipped with standard belt only

Installation

CAUTION

Dorner recommends cleaning all the “food zones” prior to placing conveyor into service. Ensure adequate access is provided for cleaning and servicing equipment so that the required level of hygiene can be maintained.

CAUTION

Conveyor **MUST** be mounted straight, flat, and level within confines of conveyor. Use a level (Figure 3, item 1), during setup.

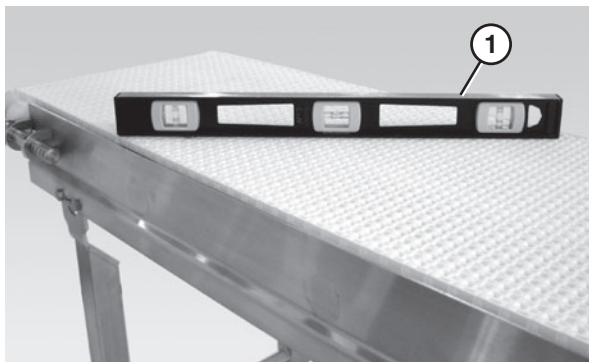


Figure 3

Required Tools

- 17 mm wrench (for hexagonal head fasteners)
- 4 mm hex wrench (for bearing shaft assembly fasteners)
- Level
- Torque wrench

Recommended Installation Sequence

1. Attach the stands to the conveyor. Refer to “Stand Installation” on page 6.
2. Attach the tail assemblies to the frame. Refer to “Tail Assembly Installation” on page 7.
3. Attach the lifters, if applicable. Refer to “Lifter Installation” on page 11.
4. Install the gearmotor, if applicable. Refer to the “7400 Series Drive Package Installation, Maintenance and Parts Manual.”
5. Attach the wear strips. Refer to “Wear Strip Installation” on page 11.
6. Install the belt. Refer to “Belt Installation” on page 12.
7. Attach the belt returns. Refer to “Belt Return Installation” on page 13.
8. Attach any guides / accessories. Refer to the “Service Parts” section starting on page 26.

Conveyors up to 10 ft (3048 mm)

Stand Installation

Typical Stand Components (Figure 4)

- | | |
|---|--|
| 1 | Conveyor frame |
| 2 | Stand |
| 3 | M10 - 1.5 x 12 mm hex head cap screws (x4) |

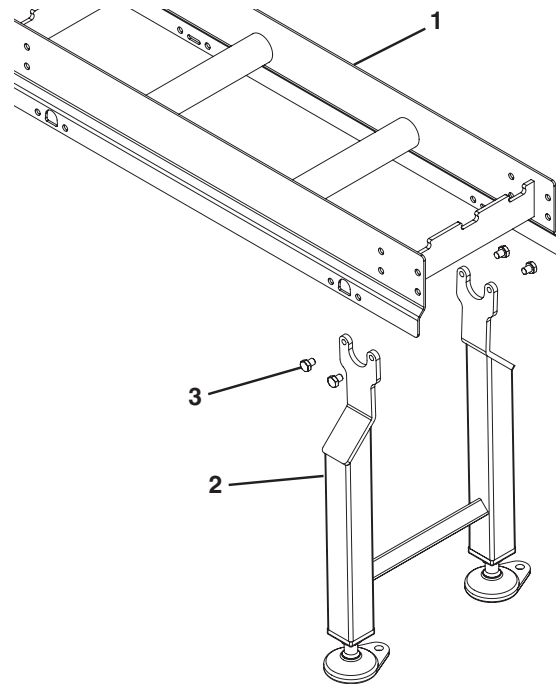


Figure 4

1. Position the stands on a flat, level surface.
2. Attach the stands to the frame (Figure 5).

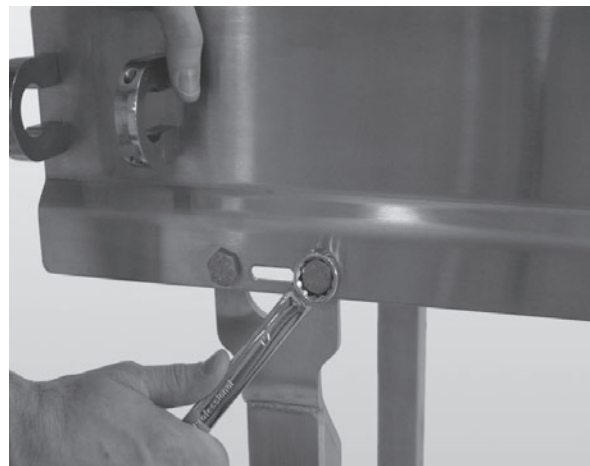


Figure 5

Tail Assembly Installation

Drive Tail

Typical Drive Tail Components (Figure 6)

1	Drive tail assembly
2	Pull pin (x2)
3	Conveyor frame

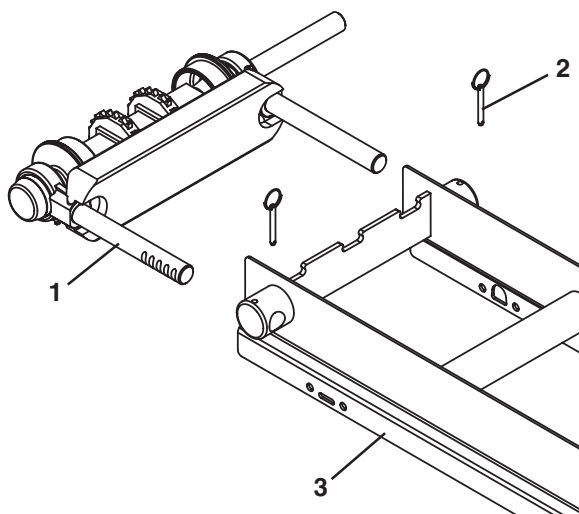


Figure 6

1. Slide the bearing shafts (Figure 7, item 1) into the take up blocks (Figure 7, item 2).

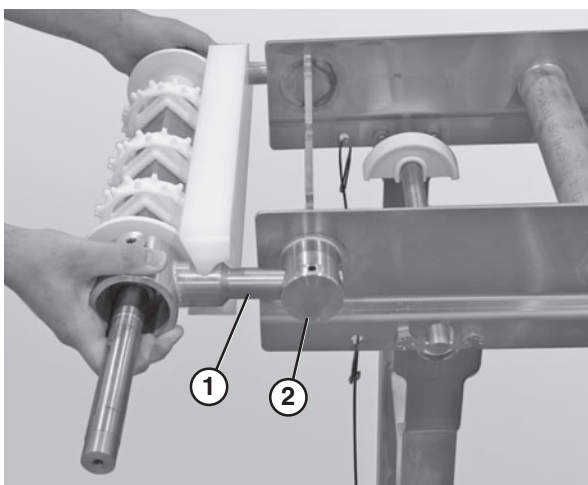


Figure 7

2. Install the drive package, if applicable. Refer to the "7400 Series Drive Package Installation, Maintenance and Parts Manual."

3. Insert the pull pins (Figure 8, item 1).

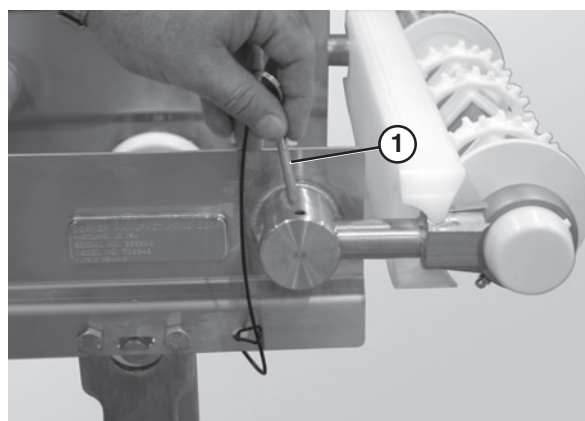


Figure 8

Idler Tail

Typical Idler Tail Components (Figure 9)

1	Idler tail assembly
2	Pull pin (x2)
3	Conveyor frame

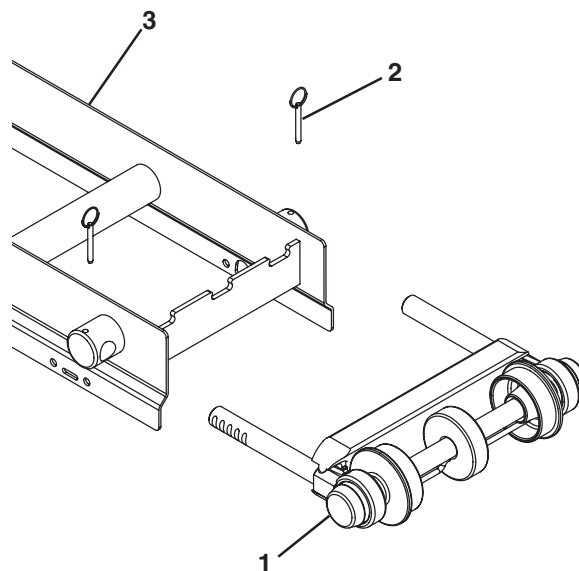


Figure 9

Installation

1. Slide the bearing shafts (**Figure 10, item 1**) into the take up blocks (**Figure 10, item 2**).

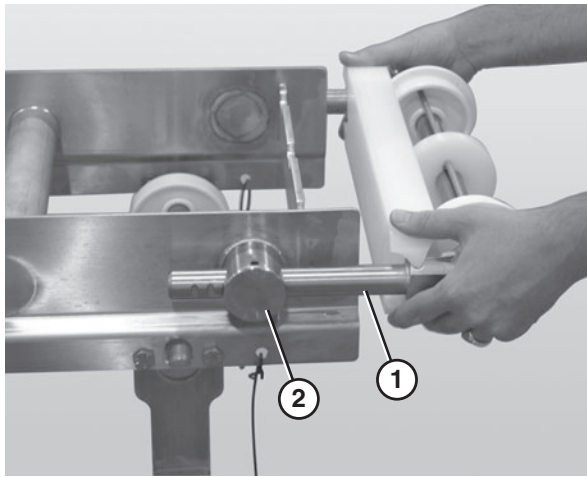


Figure 10

NOTE

Do not insert the pull pins on the tension end of the conveyor until the belt has been installed.

Tip Up Tail

Typical Tip Up Tail Components (**Figure 11**)

- | | |
|---|-----------------------------|
| 1 | Tip up tail assembly |
| 2 | Pull pin (x2) |
| 3 | Tip up shaft |
| 4 | Key stops (x2) |
| 5 | M10 - 1.5 mm acorn nut (x2) |

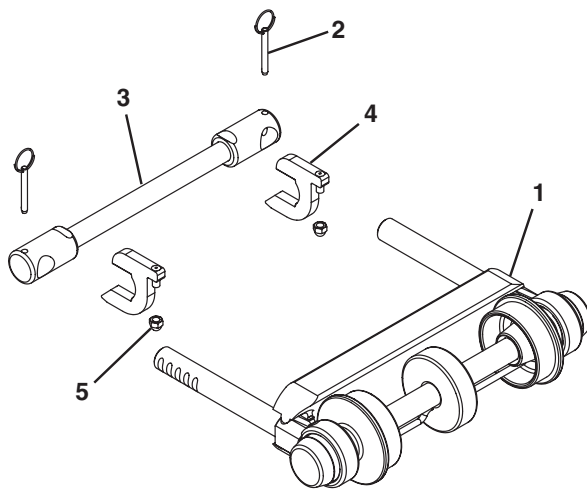


Figure 11

1. Slide the tip up shaft (**Figure 12, item 1**) through the designated slots in the frame.

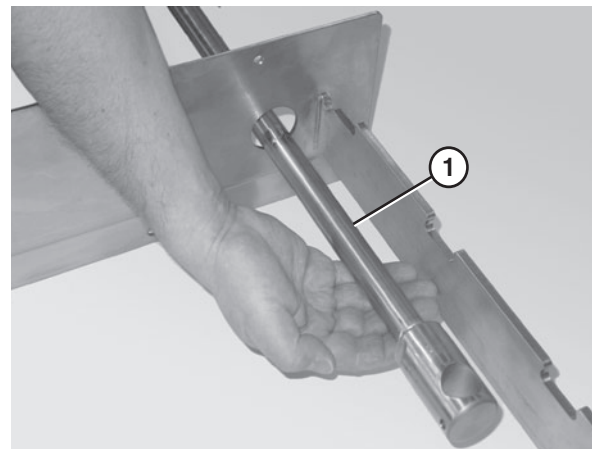


Figure 12

2. Attach the key stops (**Figure 13, item 1**) to the tip up shaft (**Figure 13, item 2**). The rounded end of the key stop should be facing the tail.

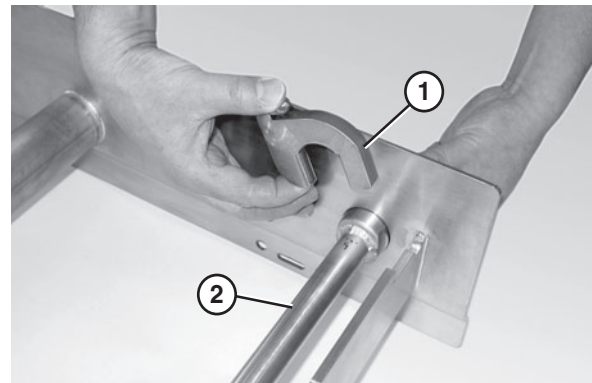


Figure 13

3. Slide the bearing shafts (**Figure 14, item 1**) into the holes in the tip up shaft (**Figure 14, item 2**).

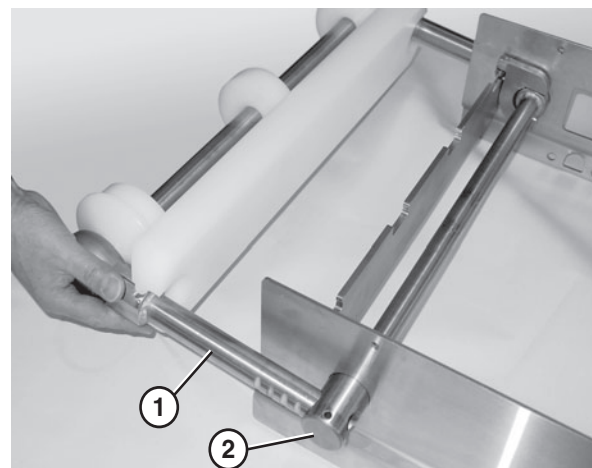


Figure 14

NOTE

Do not insert the pull pins on the tension end of the conveyor until the belt has been installed.

NOTE

Adjust the acorn nuts (Figure 11, item 5) on the key stops (Figure 11, item 4) to raise or lower the tip up tail assembly.

Nose Bar Idler Tail

Typical Nose Bar Idler Tail Components (Figure 15)

1	Nose bar idler tail assembly
2	Pull pin (x2)
3	Conveyor frame

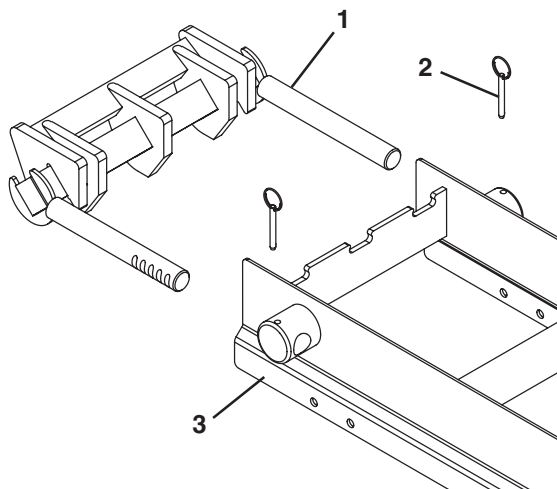


Figure 15

1. Slide the nose bar idler shaft hands (Figure 16, item 1) into the take up blocks (Figure 16, item 2).

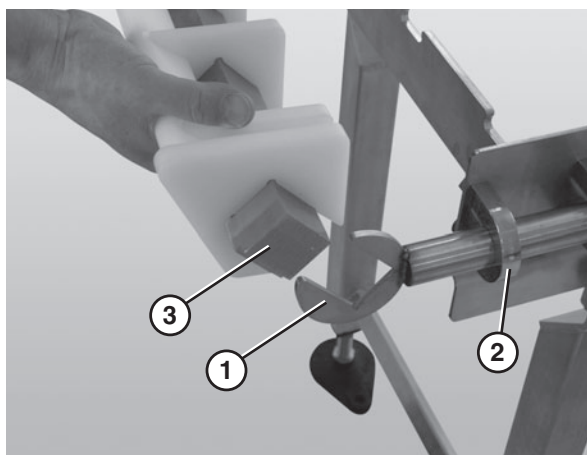


Figure 16

2. Attach the nose bar transfer post (Figure 16, item 3) to the nose bar idler shaft hands.
3. Ensure that the nose bar pucks (Figure 17, item 1) are in line with the conveyor frame (Figure 17, item 2).

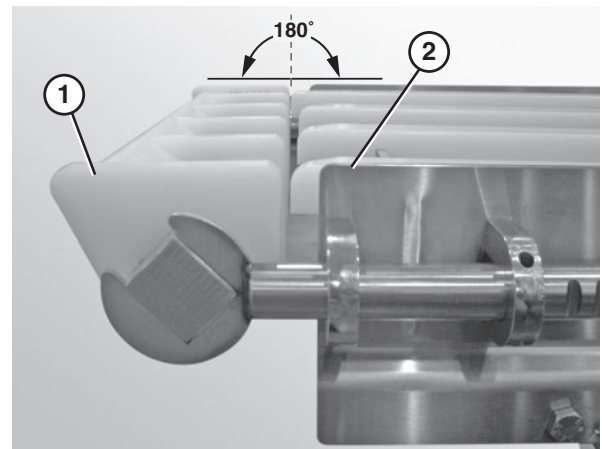


Figure 17

NOTE

Do not insert the pull pins on the tension end of the conveyor until the belt has been installed.

Nose Bar Tip Up Tail

Typical Nose Bar Tip Up Tail Components (Figure 18)

1	Tip up tail assembly
2	Pull pin (x2)
3	Tip up shaft
4	Key stops (x2)
5	M10 - 1.5 mm acorn nut (x2)

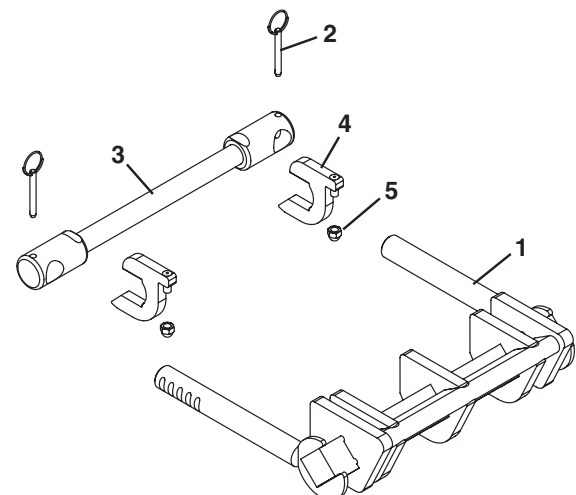


Figure 18

Installation

1. Slide the tip up shaft (**Figure 19, item 1**) through the designated slots in the frame.

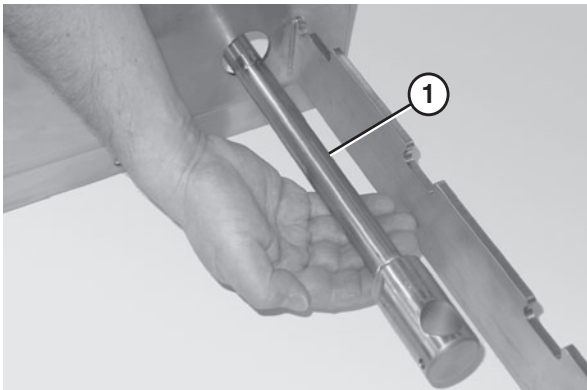


Figure 19

2. Attach the key stops (**Figure 20, item 1**) to the tip up shaft (**Figure 20, item 2**). The rounded end of the key stop should face the tail.

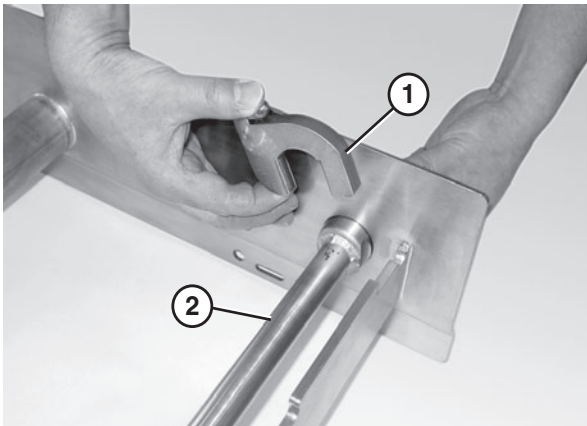


Figure 20

3. Attach the nose bar idler shaft hands (**Figure 21, item 1**) to the tip up shaft (**Figure 21, item 2**).

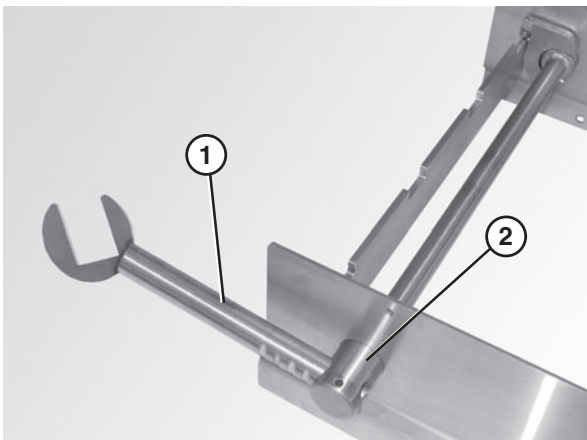


Figure 21

4. Attach the nose bar transfer post (**Figure 22, item 1**) to the nose bar idler shaft hands (**Figure 22, item 2**).

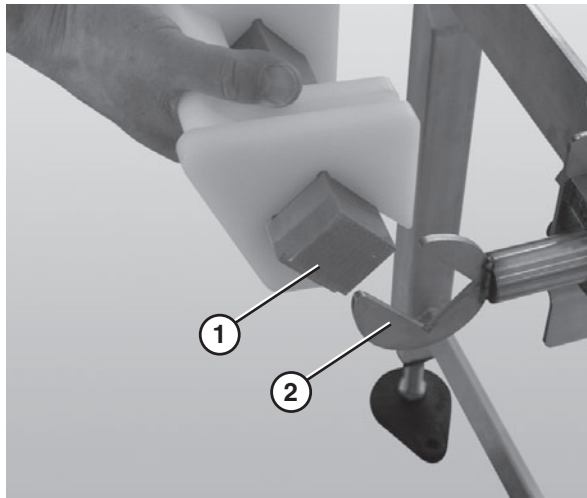


Figure 22

5. Ensure that the nose bar pucks (**Figure 23, item 1**) are in line with the conveyor frame (**Figure 23, item 2**).

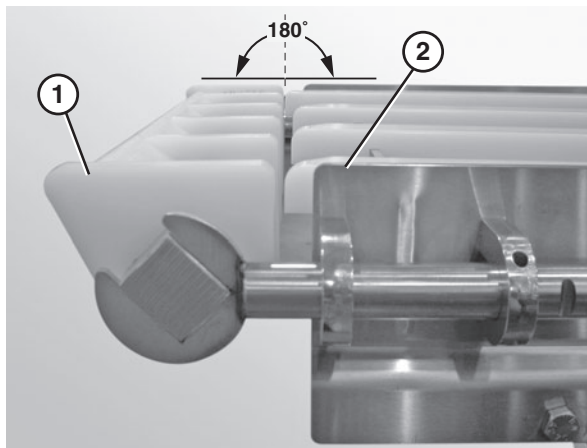


Figure 23

NOTE

Do not insert the pull pins on the tension end of the conveyor until the belt has been installed.

NOTE

*Adjust the acorn nuts (**Figure 18, item 5**) on the key stops (**Figure 18, item 4**) to raise or lower the tip up tail assembly.*

Lifter Installation

Typical Lifter Components (**Figure 24**)

1	Belt lift pivot bar
2	Lifter bars
3	Belt lift handle
4	M8 - 1.25 x 16 mm hex head cap screw

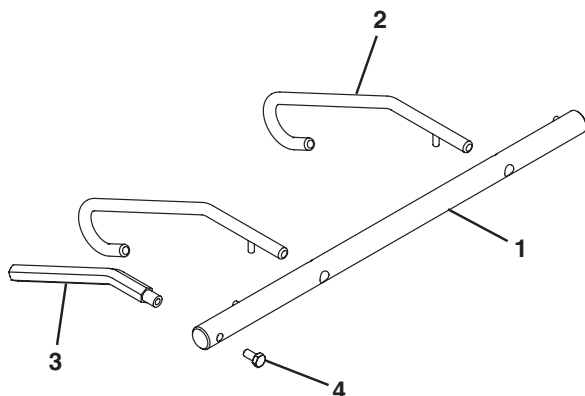


Figure 24

1. Slide the belt lift pivot bar (**Figure 25, item 1**) through the designated holes in the frame.

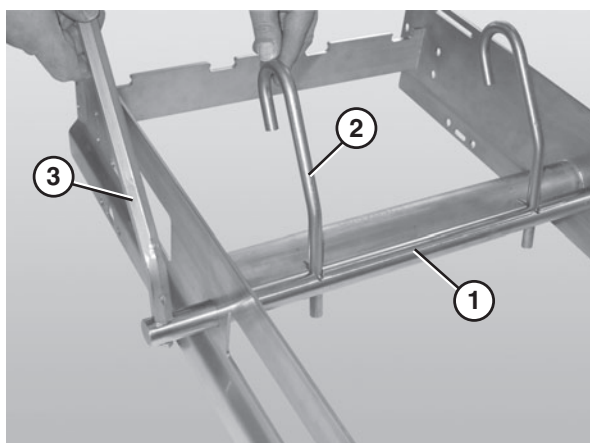


Figure 25

2. Attach the lifter bars (**Figure 25, item 2**) to the belt lift pivot bar (**Figure 25, item 1**). Make sure the hooked ends of the lifter bars are facing down when resting against the frame.
3. Attach the lifter handle (**Figure 25, item 3**) to the belt lift pivot rod.

Wear Strip Installation

Typical Wear Strip Components (**Figure 26**)

1	Wear strip
---	------------

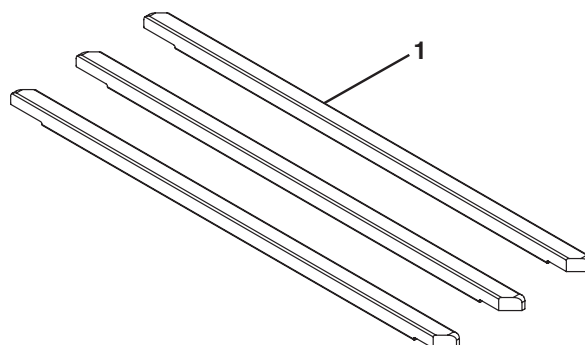


Figure 26

1. Position the wear strips (**Figure 27, item 1**) on the frame.

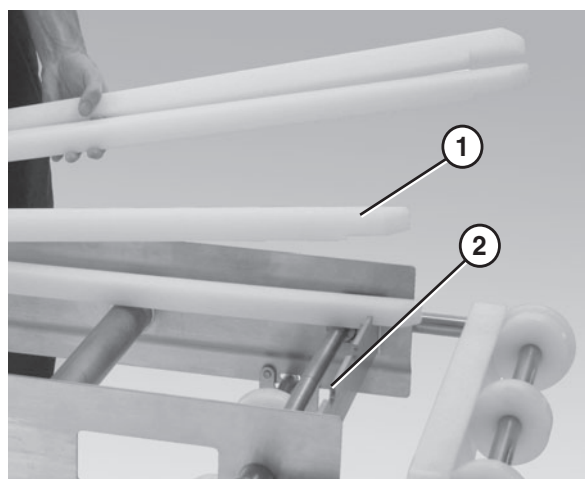


Figure 27

2. Make sure the wear strips are situated securely in the frame slots (**Figure 27, item 2**).

Installation

Belt Installation

Typical Belt Components (Figure 28)

1	Chain belt
2	Belt rod

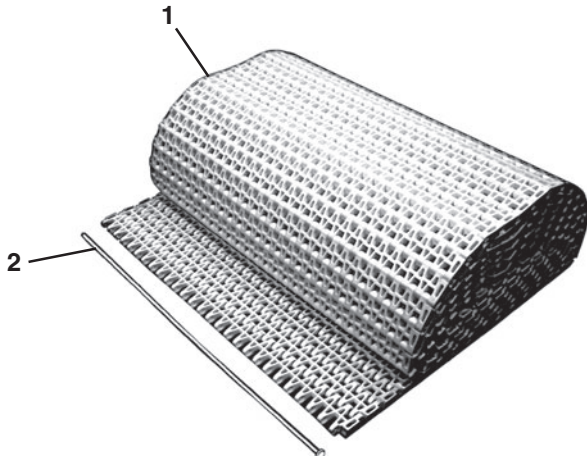


Figure 28

1. Position the belt on the conveyor frame (Figure 29).



Figure 29

2. Wrap the belt around the conveyor, making sure the sprocket teeth have engaged the belt.

3. Bring the ends of the belt together (Figure 30).



Figure 30

4. Insert the belt rod (Figure 31, item 1).

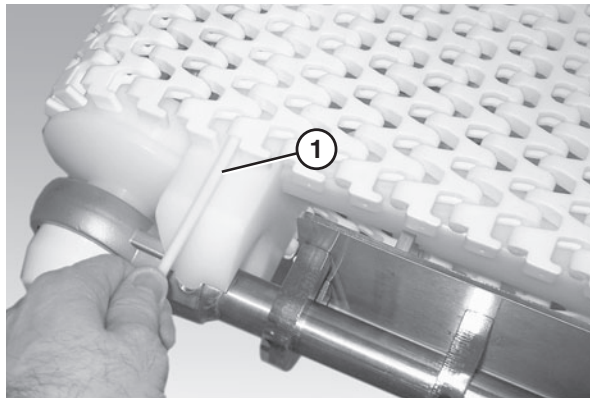


Figure 31

5. Push the belt rod in as far as possible.
6. Lightly tap the head of the rod with a hammer until it snaps into position.
7. Extend the tension end to remove excess slack in the belt (Figure 32).

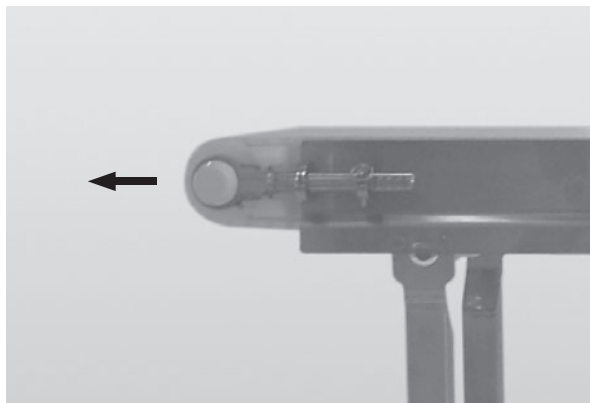


Figure 32

8. Insert the pull pins (**Figure 33, item 1**) on the tension end of the conveyor.

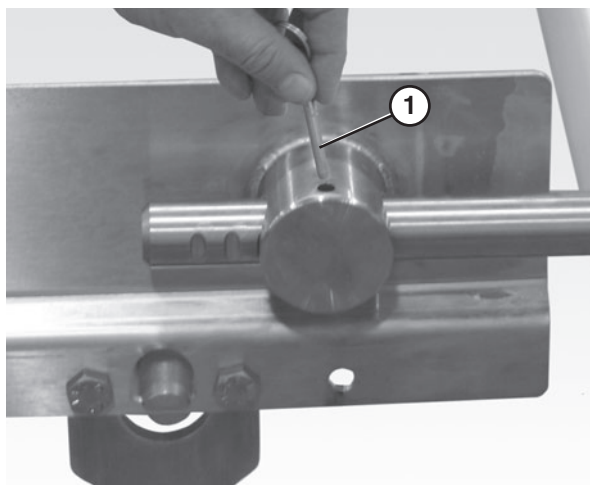


Figure 33

9. If no more travel is available, remove one or more belt links to take up the tension. Refer to “Standard Belts: Replacing a Section of Belt” on page 17.

Belt Return Installation

Typical Belt Return Components (**Figure 34**)

1	Return shaft
2	Chain return shoe

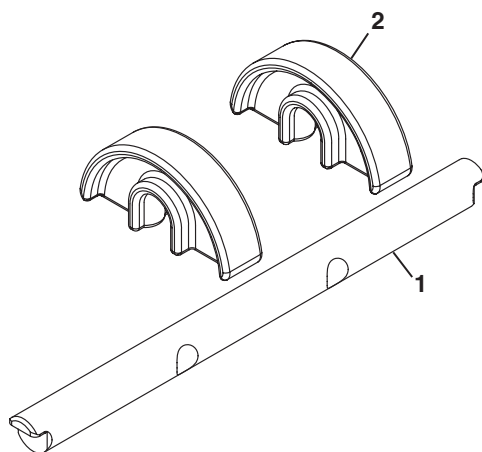


Figure 34

1. Attach the chain return shoes (**Figure 35, item 1**) to the return shaft (**Figure 35, item 2**).

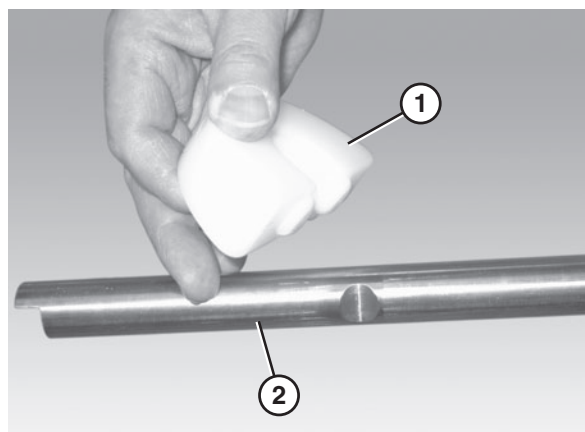


Figure 35

2. Slide the return shaft (**Figure 36, item 1**) up and through the large slot (**Figure 36, item 2**) in the frame (picture shown without the belt or wear strips).

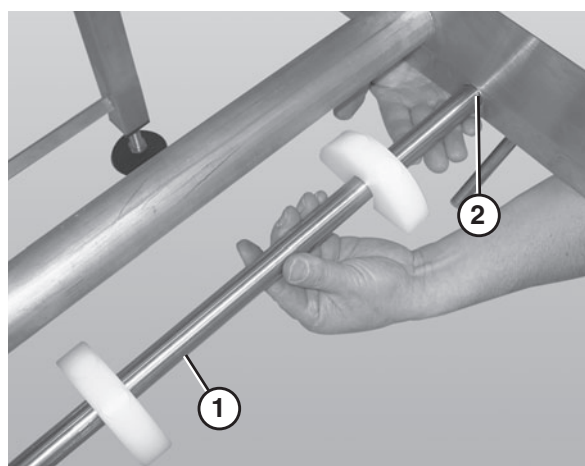


Figure 36

3. Push up on the return shaft (**Figure 36, item 1**) and slide the notched end of the shaft through the small slot on the opposite side of the frame.

Installation

4. Check belt sag by measuring from the top of the return (Figure 37). Belt sag should not exceed 4" (102 mm). Follow steps 7 – 9 in the “Belt Installation” section on page 12 to remove slack from the belt.

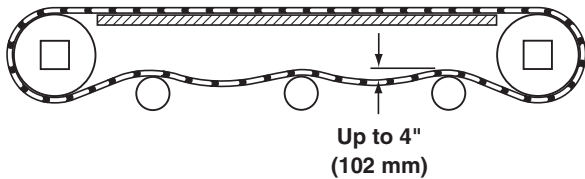


Figure 37

CAUTION

Belt sag should not exceed 4" (102 mm) from the top of the returns.

Conveyors Longer than 10 ft (3048 mm)

Typical Connection Components (Figure 38)

- | | |
|---|---------------------------------------|
| 1 | M10 x 1.5 mm hex head cap screws (x4) |
| 2 | Connector hex rods (x2) |
| 3 | Conveyor frames |

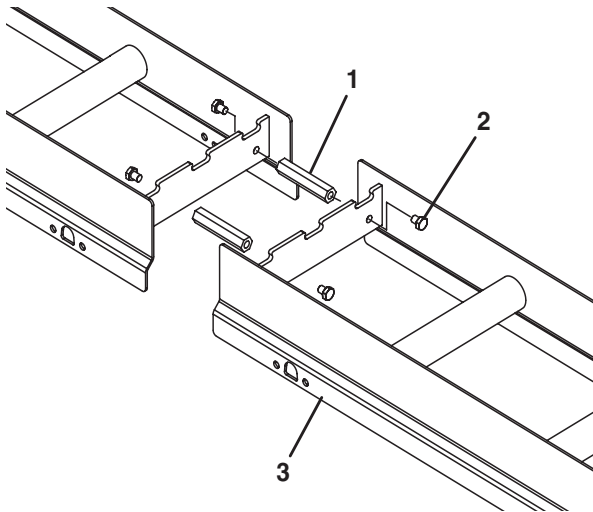


Figure 38

1. Locate the section number sequence etched on each section of frame (Figure 39, item 1)

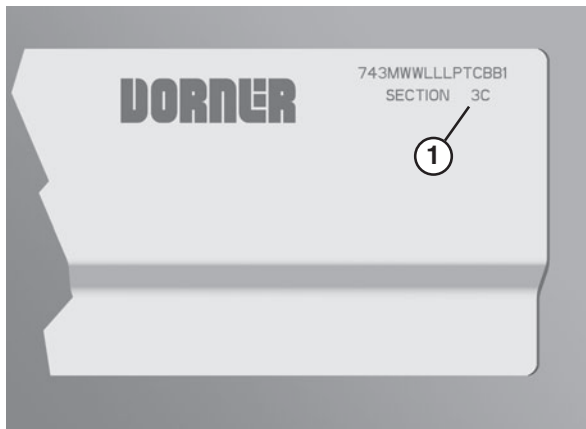


Figure 39

2. Position the frame sections in the correct order.
3. Connect the frame sections by bolting the hex post connectors (Figure 40, item 1) the sections of frame.

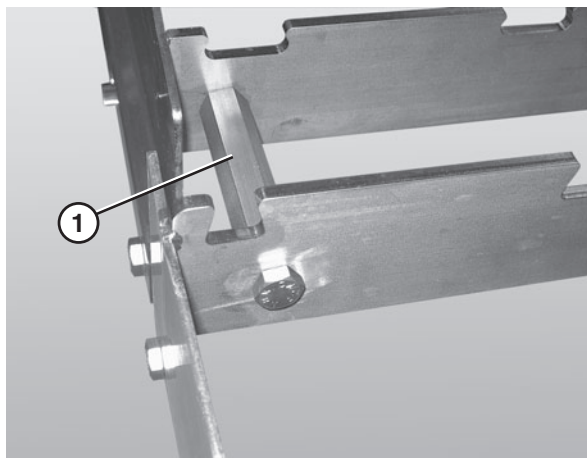


Figure 40

4. Follow the installation process described in “Conveyors up to 10 ft (3048 mm)” starting on page 6.

Preventive Maintenance and Adjustment

Required Tools

- 17 mm wrench (or adjustable wrench)
- 4 mm hex wrench (for bearing shaft assembly fasteners)
- 3 mm hex wrench
- Punch and hammer (to remove belt rod)

Checklist

- Keep service parts on hand. Refer to the "Service Parts" section starting on page 26 for recommendations.
- Replace any worn or damaged parts.

Cleaning

Routine Cleaning

 WARNING

SEVERE HAZARD! LOCK OUT POWER before removing guards or performing maintenance. Exposed moving parts can cause serious injury.

Dorner recommends cleaning the inside and the outside of the conveyor on a daily basis. Refer to the following steps to access the inside of the conveyor.

Standard Conveyors

1. Remove the guides, if applicable, by removing the pull pins (Figure 41, item 1) that connect the guide (Figure 41, item 2) to the frame.

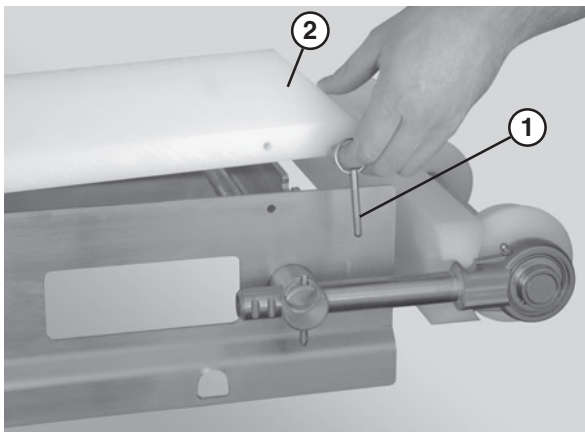


Figure 41

2. Remove the pull pin (Figure 42, item 1) on the tension end of the conveyor to release belt tension.

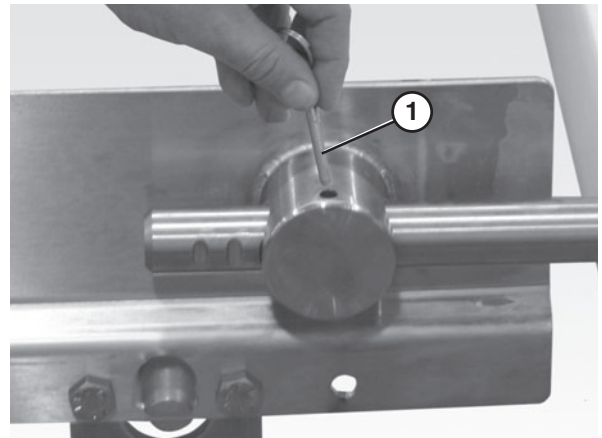


Figure 42

3. Lift up on the belt (Figure 43).

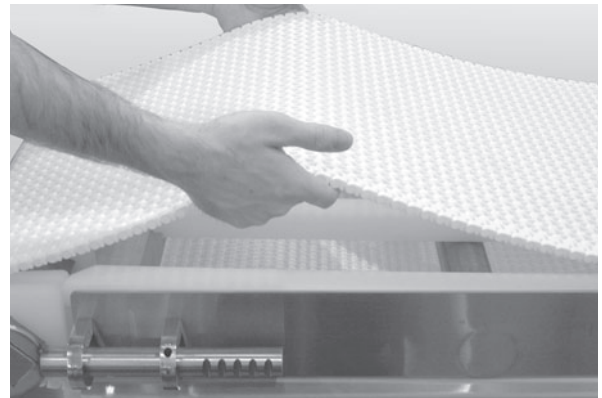


Figure 43

Conveyors with Tip Up Tails and Lifters

1. Remove the guides, if applicable, by removing the pull pins (Figure 41, item 1) that connect the guide (Figure 46, item 2) to the frame.
2. Use the lifter handle (Figure 44, item 1) to raise the lifters (Figure 44, item 2) and raise the tip up tail (Figure 44, item 3).

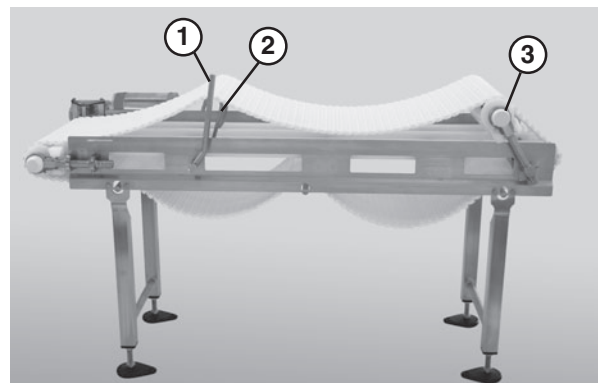


Figure 44

Preventive Maintenance and Adjustment

CAUTION

DO NOT submerge or soak bearing assemblies. This will reduce the life of the bearing.

Periodic Cleaning

Dorner recommends complete disassembly of the conveyor periodically for thorough cleaning.

For conveyor disassembly and reassembly instructions:

- Refer to “Conveyor Belt Replacement” on page 17.
- Refer to “Sprocket and Puck Removal” on page 20.
- Refer to “Reassembling Tail Assemblies” on page 23.

Lubrication

Conveyor Bearings

Conveyor bearing lubrication is required. Dorner recommends using an H-1 food grade grease.

NOTE

Although bearings are sealed, re-greasing is recommended to increase bearing life. An H-1 food grade grease is recommended. The frequency of bearing re-greasing is dependent upon the application in which the conveyor is being used. Frequency of re-greasing will increase with the frequency of conveyor washing.

1. Add grease to the bearing using the zerk fitting (**Figure 45, item 1**) on the exterior of the bearing shaft assembly.

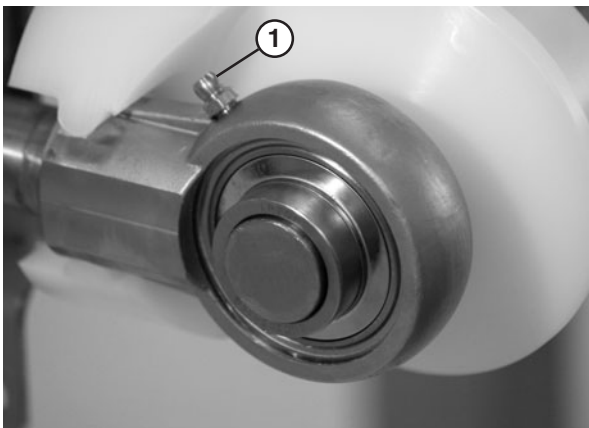


Figure 45

2. Replace the bearings if they become worn.

Wearstrips and Belt Returns

Replace the wearstrips and belt returns if they become worn.

For wearstrip and belt return installation instructions:

- Refer to “Wear Strip Installation” on page 11.
- Refer to “Belt Return Installation” on page 13.

Maintaining the Conveyor Belt

Troubleshooting

NOTE

Visit www.dorner.com for complete list of troubleshooting solutions.

Inspect conveyor belt for:

- Surface cuts or wear
- Skipping

Damage to belt links or rods, surface cuts and / or wear indicate:

- Sharp or heavy parts impacting belt
- Jammed parts
- Accumulated dirt
- Foreign material inside the conveyor
- Improperly positioned accessories

Skipping indicates:

- Excessive load on belt
- Worn sprockets or impacted dirt on drive pulley

Damage to belt links or rods indicate:

- Excessive load on belt
- Dirt impacted on sprockets
- Excessive or improper side loading
- Improperly positioned accessories

Preventive Maintenance and Adjustment

Conveyor Belt Replacement

⚠ WARNING

SEVERE HAZARD! LOCK OUT POWER before removing guards or performing maintenance. Exposed moving parts can cause serious injury.

Conveyors with Guides

1. Remove the pull pins (Figure 46, item 1) that connect the guide (Figure 46, item 2) to the frame.

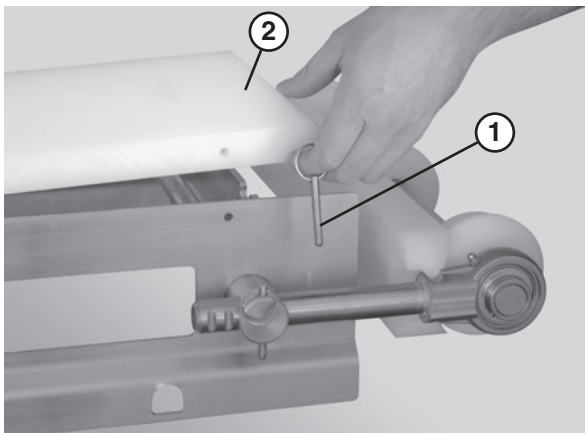


Figure 46

2. Remove the guide (Figure 47, item 1).

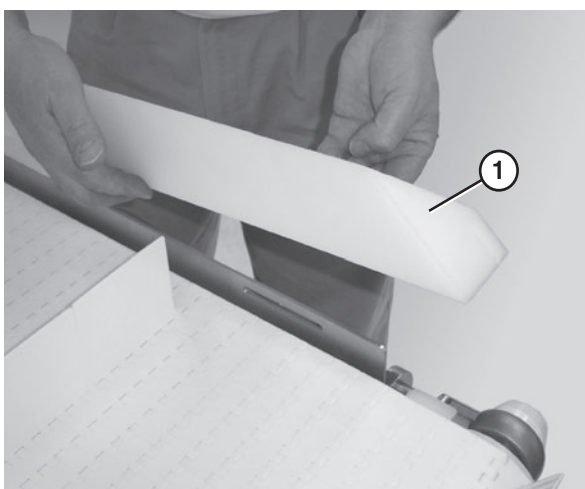


Figure 47

3. Follow the belt replacement procedures described in “Standard Belts” on page 17, “Specialty Intralox 1100 Series Belts” on page 18, or “Specialty Intralox 1600 Series Belts” on page 19.

Standard Belts

Replacing a Section of Belt

1. Remove the pull pins (Figure 48, item 1) on the tension end of the conveyor to release tension on the belt.

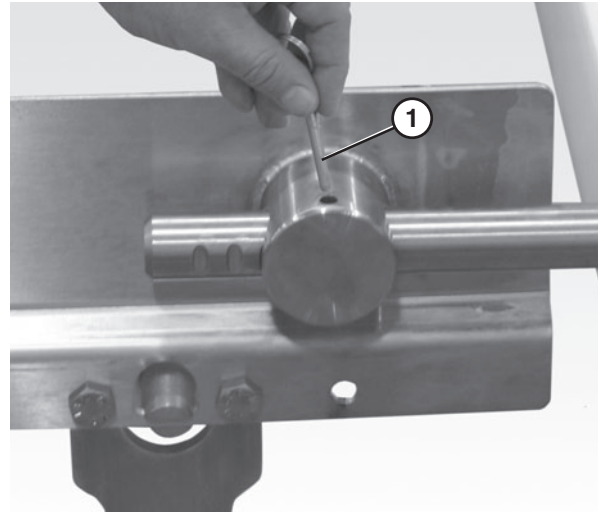


Figure 48

CAUTION

Secure the retaining head side of the belt prior to removing a belt rod in order to prevent damaging the belt.

2. Secure the retaining head side of the belt. Use the belt removal tool (Figure 49, item 1) for 1" pitch belts. For all other belts, position the section of belt so that it is braced by the flanged puck (Figure 49, item 2).

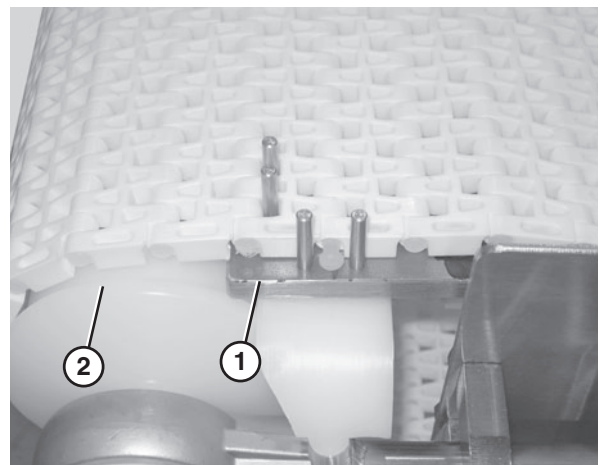


Figure 49

Preventive Maintenance and Adjustment

3. Use a punch and hammer to push the belt rod out by striking the rod end opposite the retaining head (**Figure 50**).



Figure 50

4. Remove the belt rods on both sides of the section of belt being replaced.
5. Replace the old section with a new section of belt.

CAUTION

DO NOT reuse belt rods that are damaged or show signs of wear.

Replacing the Entire Belt

1. Remove the belt returns by pushing up on the return shaft (**Figure 51, item 1**) and sliding it through the large hole (**Figure 51, item 2**) in the frame.

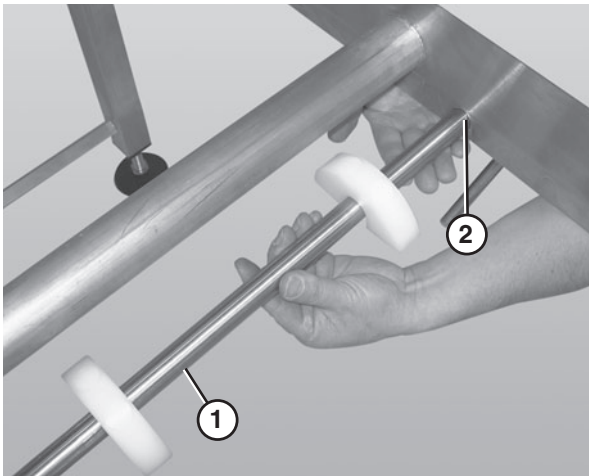


Figure 51

2. Lower the opposite end of the return shaft (**Figure 51, item 1**) and slide it out of the frame.
3. Follow steps 1 – 3 in "Standard Belts: Replacing a Section of Belt" on page 17.
4. Remove the belt.

5. Replace the damaged or worn belt. Refer to "Belt Installation" on page 12 and "Belt Return Installation" on page 13.

Specialty Intralox 1100 Series Belts

Replacing a Section of Belt

1. Place the edge of a flat head screwdriver between the two belt links and turn clockwise (**Figure 55**).

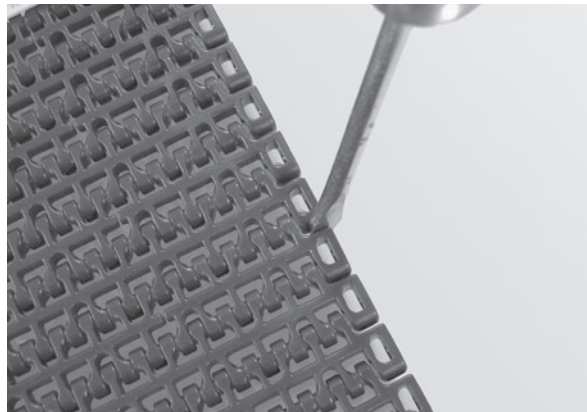


Figure 52

2. Use a second belt rod of the same size to push on the opposite end of the belt rod. (**Figure 53**).

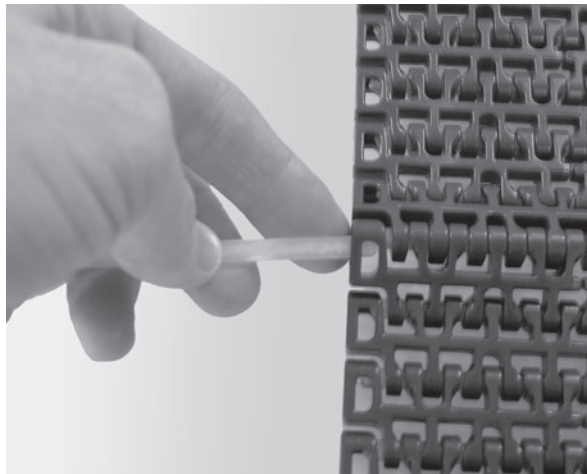


Figure 53

3. Remove the belt rods on both sides of the section of belt being replaced.
4. Replace the old section with a new section of belt.

CAUTION

DO NOT reuse belt rods that are damaged or show signs of wear.

Preventive Maintenance and Adjustment

Replacing the Entire Belt

1. Remove the belt returns by pushing up on the return shaft (**Figure 54, item 1**) and sliding it through the large hole (**Figure 54, item 2**) in the frame.

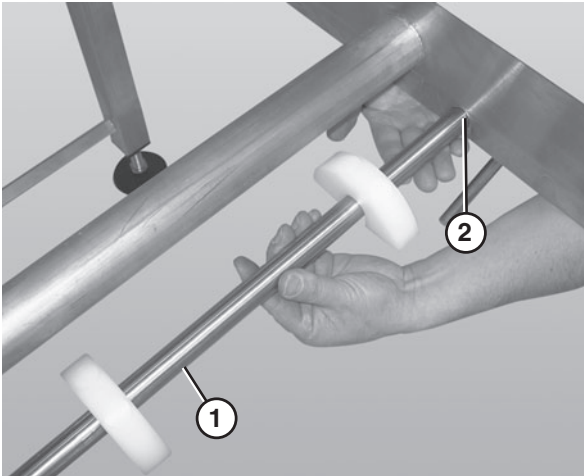


Figure 54

2. Lower the opposite end of the return shaft (**Figure 54, item 1**) and slide it out of the frame.
3. Follow steps 1 – 2 in "Specialty Intralox 1100 Series Belts: Replacing a Section of Belt" on page 18.
4. Remove the belt.
5. Replace the damaged or worn belt. Refer to "Belt Installation" on page 12 and "Belt Return Installation" page 13.

Specialty Intralox 1600 Series Belts

Replacing a Section of Belt

1. Lift up on the belt to gain access to the underside
2. Use a flat head screwdriver to raise the end of the belt rod above the retention lip

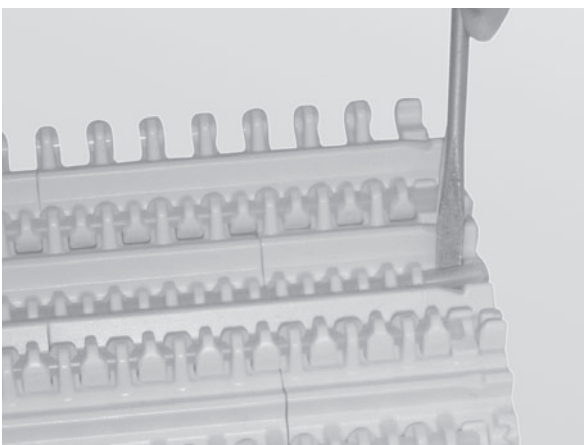


Figure 55

3. Remove the belt rod by gripping the end with a set of pliers and pulling (**Figure 56**).

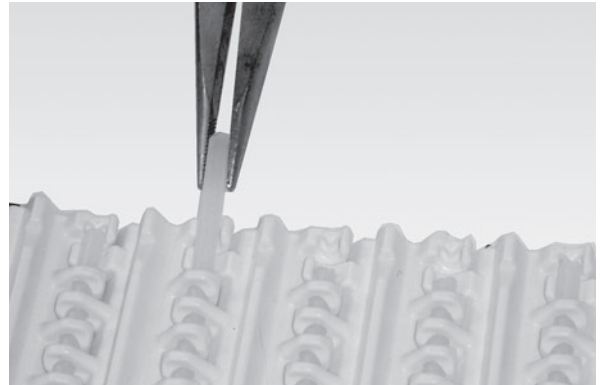


Figure 56

4. Remove the belt rods on both sides of the section of belt being replaced.
5. Replace the old section with a new section of belt.

CAUTION

DO NOT reuse belt rods that are damaged or show signs of wear.

Replacing the Entire Belt

1. Remove the belt returns by pushing up on the return shaft (**Figure 57, item 1**) and sliding it through the large hole (**Figure 57, item 2**) in the frame.

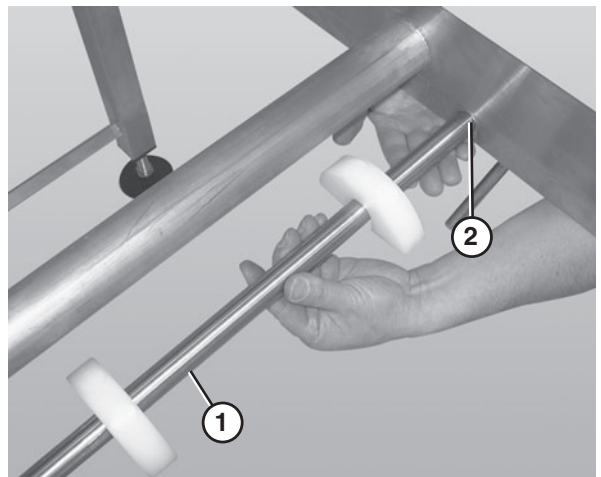



Figure 57

2. Lower the opposite end of the return shaft (**Figure 57, item 1**) and slide it out of the frame.
3. Follow steps 1 – 2 in "Specialty Intralox 1600 Series Belts: Replacing a Section of Belt" on page page 19.
4. Remove the belt.
5. Replace the damaged or worn belt. Refer to "Belt Installation" on page 12 and "Belt Return Installation" page 13.

Preventive Maintenance and Adjustment

Conveyor Belt Tensioning

⚠ WARNING

SEVERE HAZARD! LOCK OUT POWER before removing guards or performing maintenance. Exposed moving parts can cause serious injury.
CAUTION
Belt sag should not exceed 4" (102 mm) from the top of the returns.

1. Remove both pull pins (**Figure 58, item 1**) on the tension end of the conveyor.

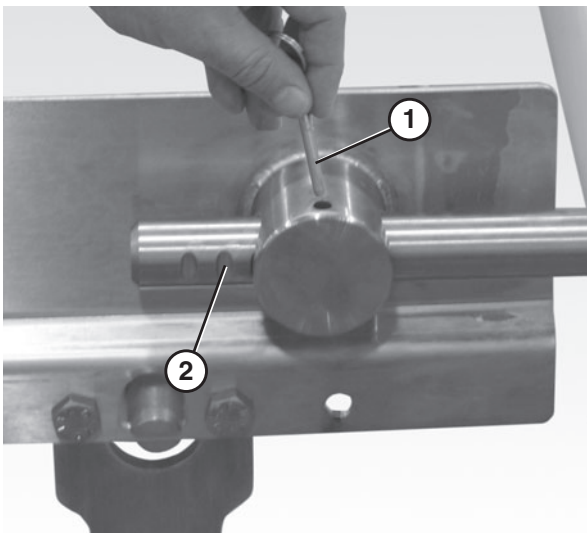


Figure 58

2. Extend the idler tail to the next groove (**Figure 58, item 2**) on the bearing shaft.

3. Continue extending the tension end until the belt is sufficiently tight (**Figure 59**).

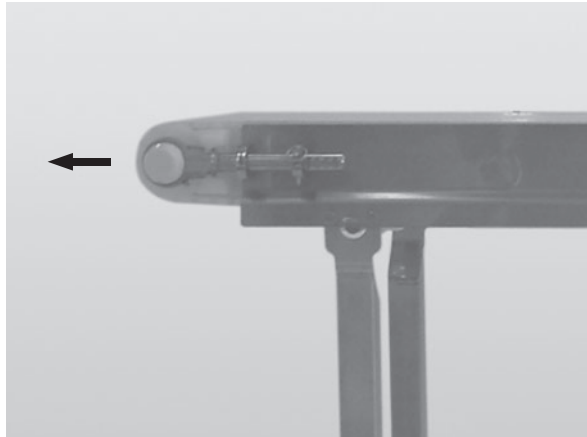


Figure 59

4. Reinsert the pull pins.
5. If no more travel is available, remove one or more belt links to take up the tension. Refer to “Replacing a Section of Belt” on page 17.

Sprocket and Puck Removal


⚠ WARNING

SEVERE HAZARD! LOCK OUT POWER before removing guards or performing maintenance. Exposed moving parts can cause serious injury.

1. Remove the conveyor belt to access the sprockets / pucks. Refer to “Conveyor Belt Replacement” on page 17.
2. Remove the desired sprocket / puck by following these instructions:
 - A - Drive Sprocket Removal
 - B - Idler Puck Removal

Preventive Maintenance and Adjustment

A - Drive Sprocket Removal

 WARNING

PUNCTURE HAZARD! Handle drive shaft keyway with care. It may be sharp and could puncture the skin, causing serious injury.

1. Loosen the button head screws (**Figure 60, item 1**) that connect the gearmotor to the drive spindle.

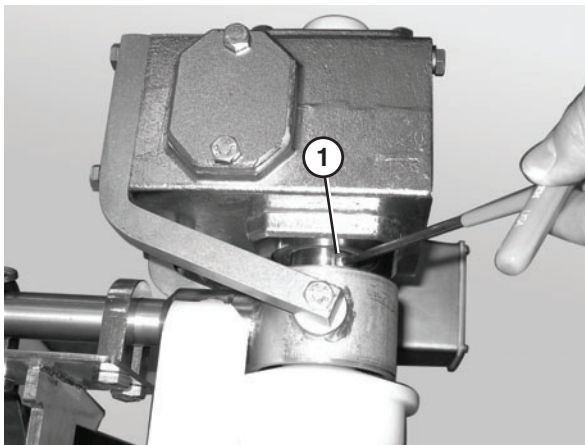


Figure 60

2. Remove the bolts that connect the motor to the drive assembly (**Figure 61**).
3. Remove the motor (**Figure 61, item 1**) from the drive assembly (**Figure 61, item 2**).

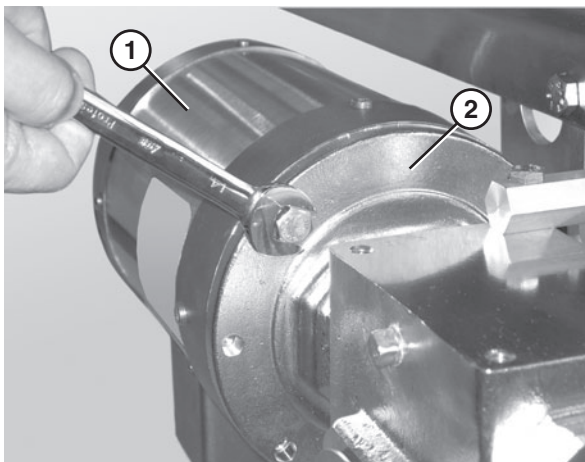


Figure 61

4. Unbolt the drive assembly and slide it off the bearing spindle (**Figure 62**).

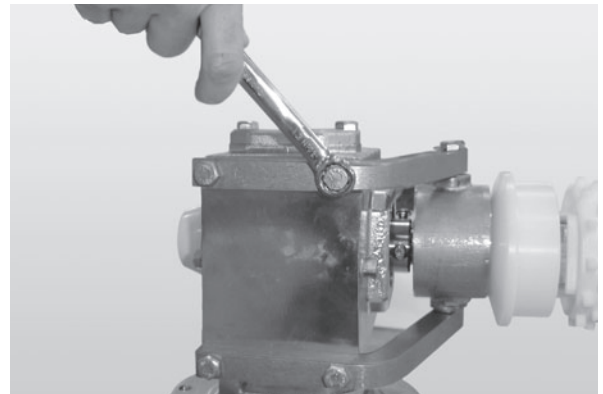


Figure 62

5. Remove the pull pin (**Figure 63, item 1**).

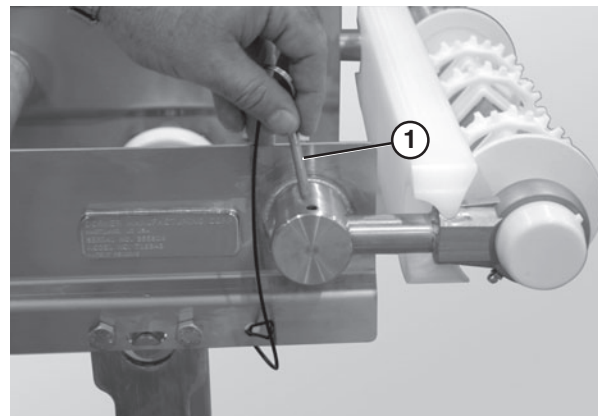


Figure 63

6. Slide the drive tail assembly out of the take up blocks (**Figure 64**).

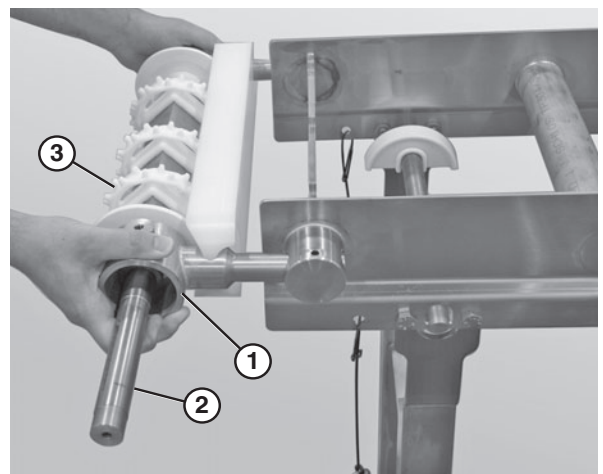


Figure 64

7. Slide the motor support bracket (**Figure 64, item 1**) off the drive spindle (**Figure 64, item 2**).
8. Remove the sprockets (**Figure 64, item 3**).

Preventive Maintenance and Adjustment

B - Idler Puck Removal

1. Remove the pull pins (**Figure 63, item 1**).
2. Slide the idler tail assembly (**Figure 65, item 1**) out of the take up blocks (**Figure 65, item 2**).

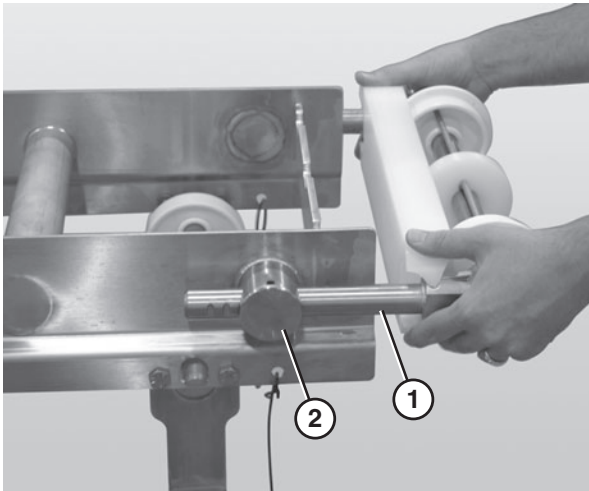


Figure 65

3. Remove the bearing cover (**Figure 66, item 1**).

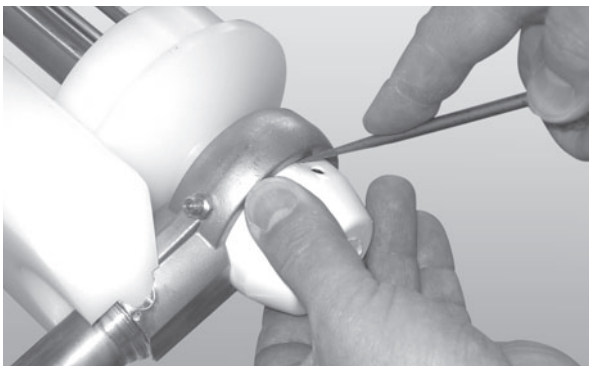


Figure 66

4. Use a hex wrench (**Figure 67, item 1**) to loosen the bearing shaft assembly fasteners (**Figure 67, item 2**).

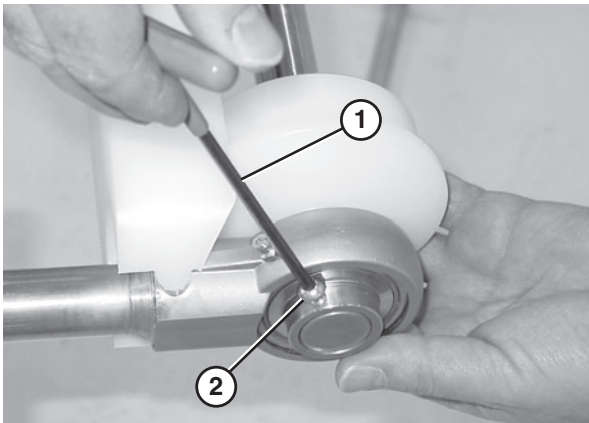


Figure 67

5. Slide the bearing shaft assembly (**Figure 68, item 1**) off the idler shaft (**Figure 68, item 2**).

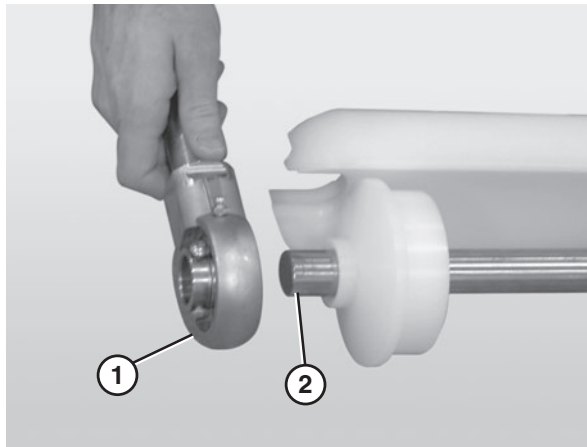


Figure 68

6. Remove the guard bar (**Figure 69, item 1**).

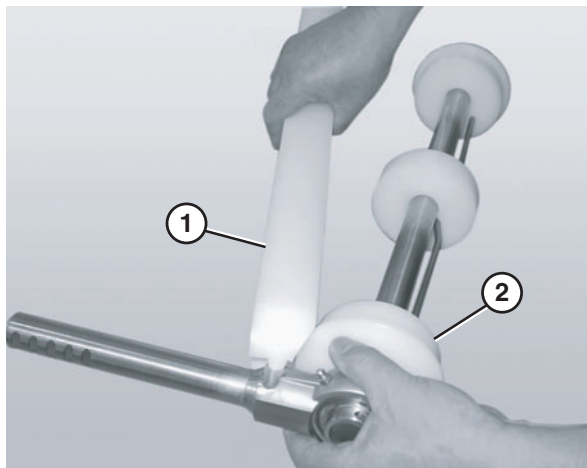


Figure 69

7. Remove the pucks (**Figure 69, item 2**).

Preventive Maintenance and Adjustment

Reassembling Tail Assemblies

Refer to the "Service Parts" section starting on page 26 for complete diagrams and lists of all tail assembly components.

Idler Tail and Tip Up Tail

1. Place the idler puck (**Figure 70, item 1**) at the center of the bent retaining bar (**Figure 70, item 2**).
2. Slide the idler puck onto the idler shaft (**Figure 70, item 3**). Make sure to center the idler puck.

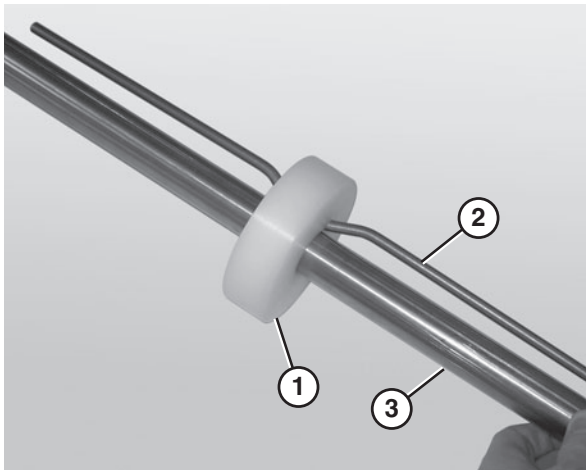


Figure 70

3. Attach the flanged pucks (**Figure 71, item 2**) and bearing shaft assemblies to the idler shaft.
4. Attach the guard bar (**Figure 71, item 1**).

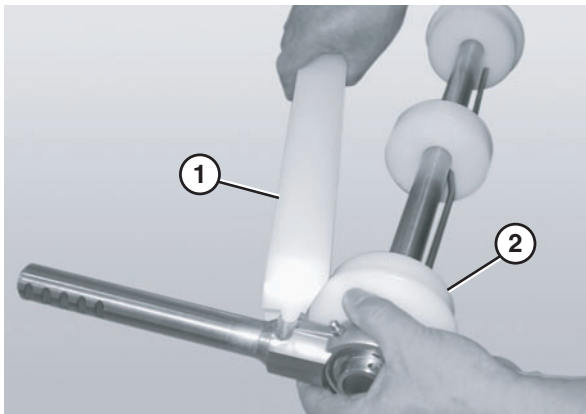


Figure 71

5. Use a hex wrench (**Figure 72, item 1**) to tighten the bearing shaft fasteners (**Figure 72, item 2**).

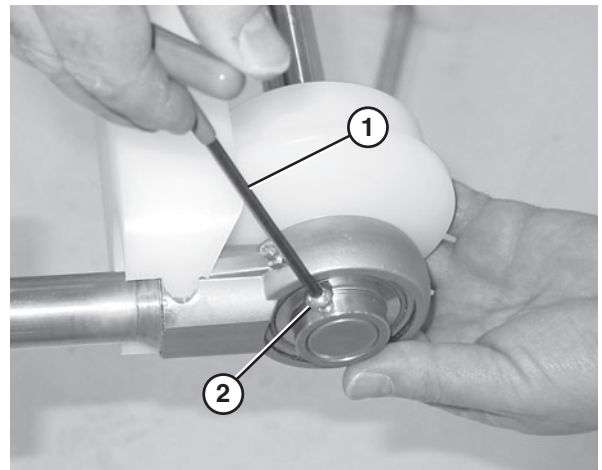


Figure 72

6. Attach the bearing covers.

Drive Tail

1. Attach a flanged puck (**Figure 73, item 1**) and bearing shaft assembly (**Figure 73, item 2**) to the shorter end of the drive spindle.

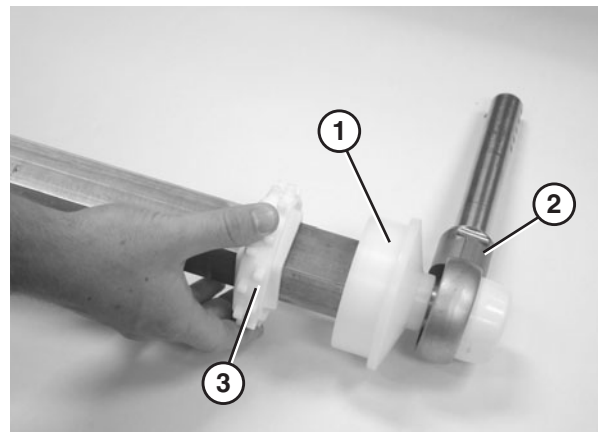


Figure 73

2. Slide the first sprocket (**Figure 73, item 3**) onto the drive spindle.

Preventive Maintenance and Adjustment

3. Insert the sprocket alignment bar (**Figure 74, item 1**) into the first sprocket (**Figure 74, item 2**) resting it up against the flanged puck (**Figure 74, item 3**). Position the first sprocket with the notch in the sprocket alignment bar.

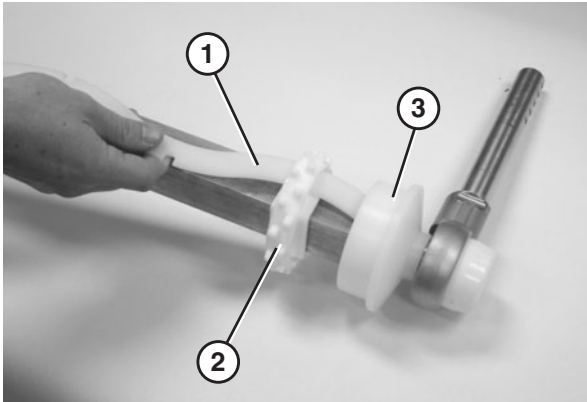


Figure 74

4. Install the remaining sprockets (**Figure 75, item 1**) making sure to position each sprocket with the next available notch (**Figure 75, item 2**) in the sprocket alignment bar.

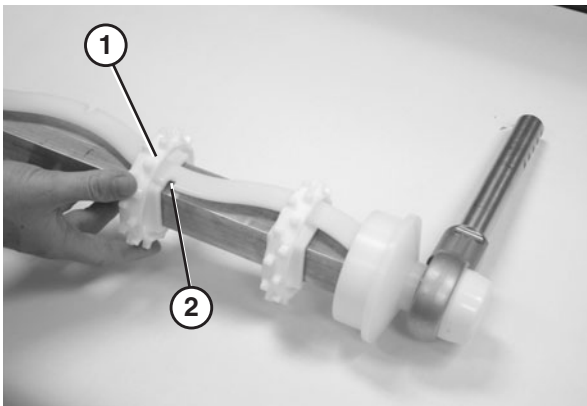


Figure 75

5. Slide the second flanged puck (**Figure 76, item 1**) and the retaining ring (**Figure 76, item 2**) onto the drive spindle.

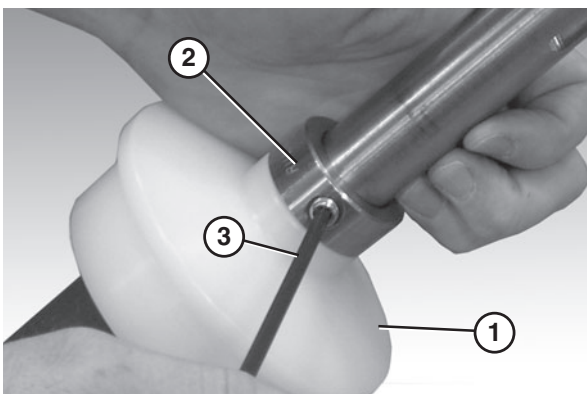


Figure 76

6. Tighten the retainer ring fastener using a hex wrench (**Figure 76, item 3**).
7. Slide the second bearing shaft assembly, or the motor mount bracket (**Figure 77, item 1**), onto the longer end of the drive spindle (**Figure 77, item 2**).

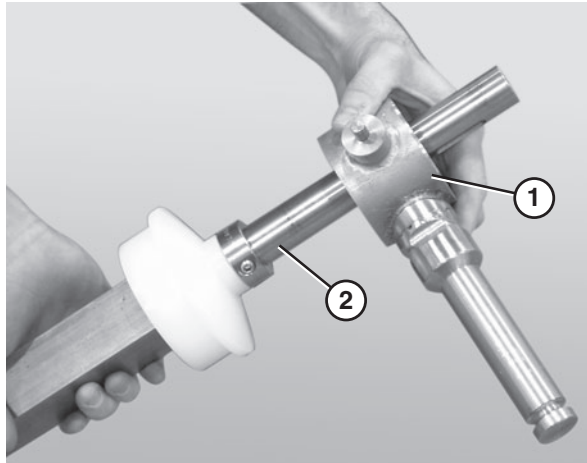


Figure 77

8. Attach the guard bar (**Figure 78, item 1**) to the bearing / motor mount bracket shafts (**Figure 78, item 2**).

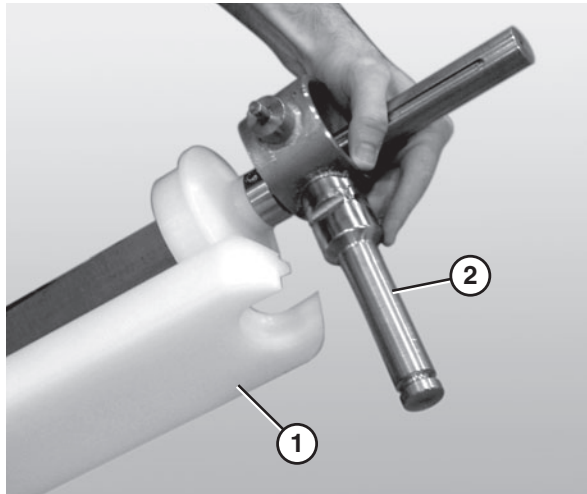


Figure 78

Preventive Maintenance and Adjustment

9. Use a hex wrench (**Figure 79, item 1**) to tighten the bearing shaft fasteners (**Figure 79, item 2**).

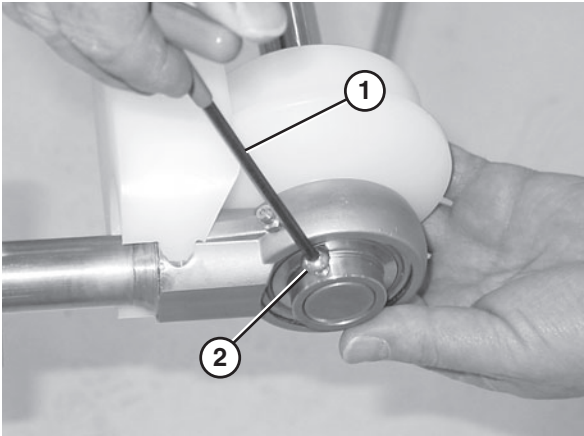


Figure 79

4. Remove the worn or damaged bearing (**Figure 81**).

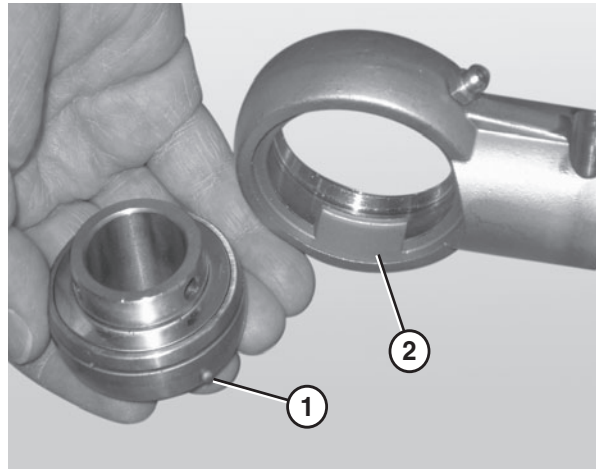


Figure 81

10. Attach the bearing covers.

Bearing Replacement

1. Secure the bearing shaft in the take up blocks.
2. Insert the rod end of a second bearing shaft through the bearing (**Figure 80**).

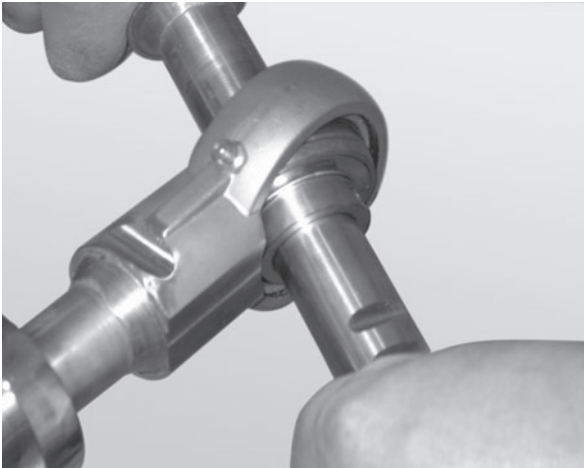


Figure 80

5. Replace the bearing.


NOTE

*When inserting the new bearing, make sure the anti-rotation notch (**Figure 81, item 1**) on the bearing lines up with the groove inside the housing (**Figure 81, item 2**).*

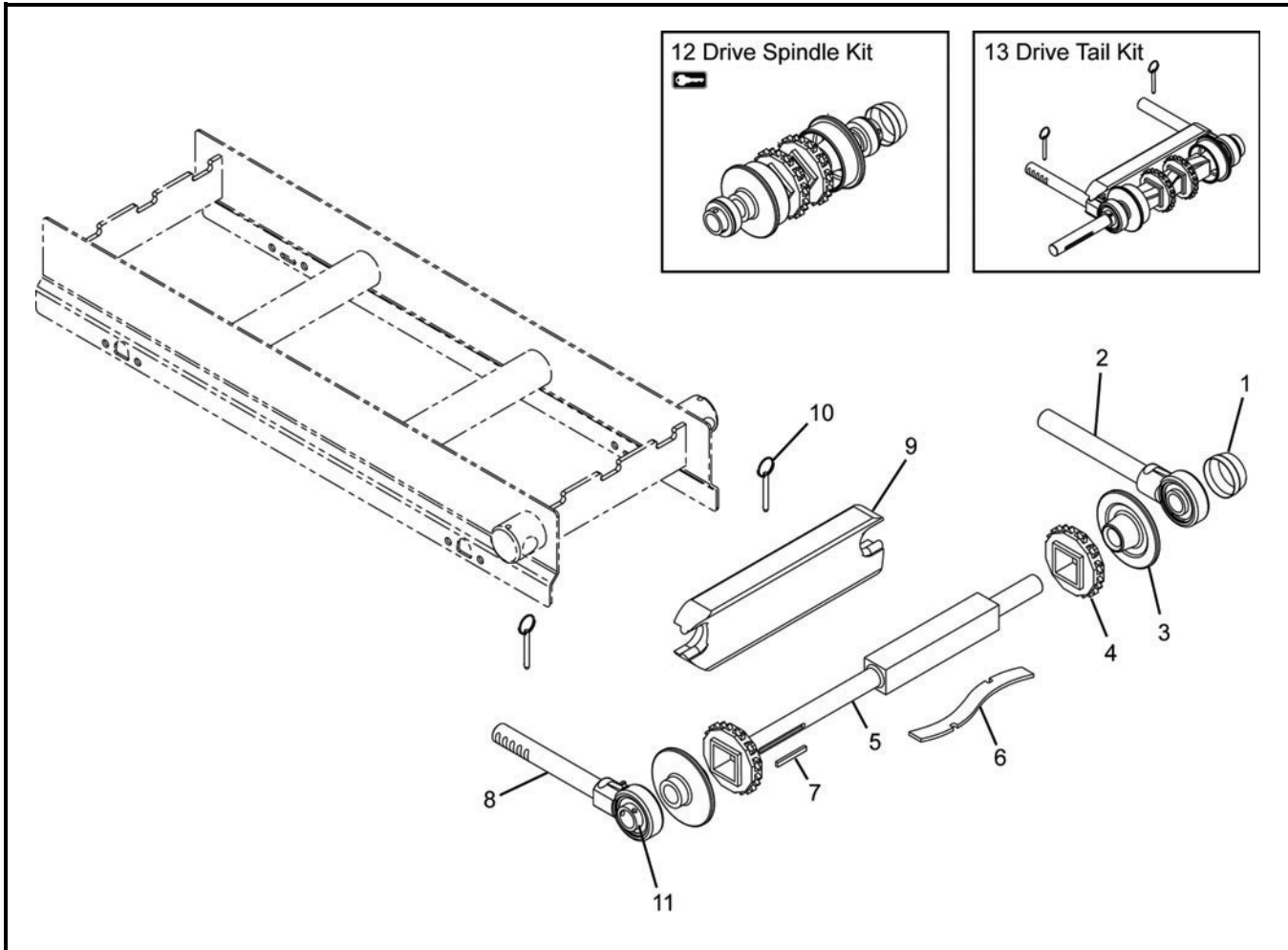
3. Apply lateral pressure to the rod until the bearing comes loose.

Service Parts

NOTE

For replacement parts other than those shown in this section, contact an authorized *Dorner Service Center* or the factory. Key Service Parts and Kits are identified by the Performance Parts Kits logo . Dorner recommends keeping these parts on hand.


Drive End Components



Item	Part Number	Description
1	807-1454	Bearing Cover
2	500078	Shaft Assembly with Bearing
3	5053WW	Flanged Puck, Drive Tail for Standard Belt
	5071WW	Flanged Puck, Drive Tail for Specialty Intralox Belt
4	807-1443	Sprocket for Standard .50" Pitch Belt
	807-1444	Sprocket for Standard 1.00" Pitch Belt
	807-1446	Sprocket for Specialty Intralox .60" Pitch Belt
	807-1445	Sprocket for Specialty Intralox 1.00" Pitch Belt

Item	Part Number	Description
5	5015WW	Drive Spindle for Standard Belt
	5070WW	Drive Spindle for Specialty Intralox Belt
6	5086WW	Sprocket Alignment Bar for Standard .50" Pitch Belt
	5085WW	Sprocket Alignment Bar for Standard 1.00" Pitch Belt
	5087WW	Sprocket Alignment Bar for Specialty Intralox .60" Pitch Belt
	5088WW	Sprocket Alignment Bar for Specialty Intralox 1.00" Pitch Belt
7	912-111SS	Square Key .25x2.50"
8 *	500078	Shaft Assembly with Bearing

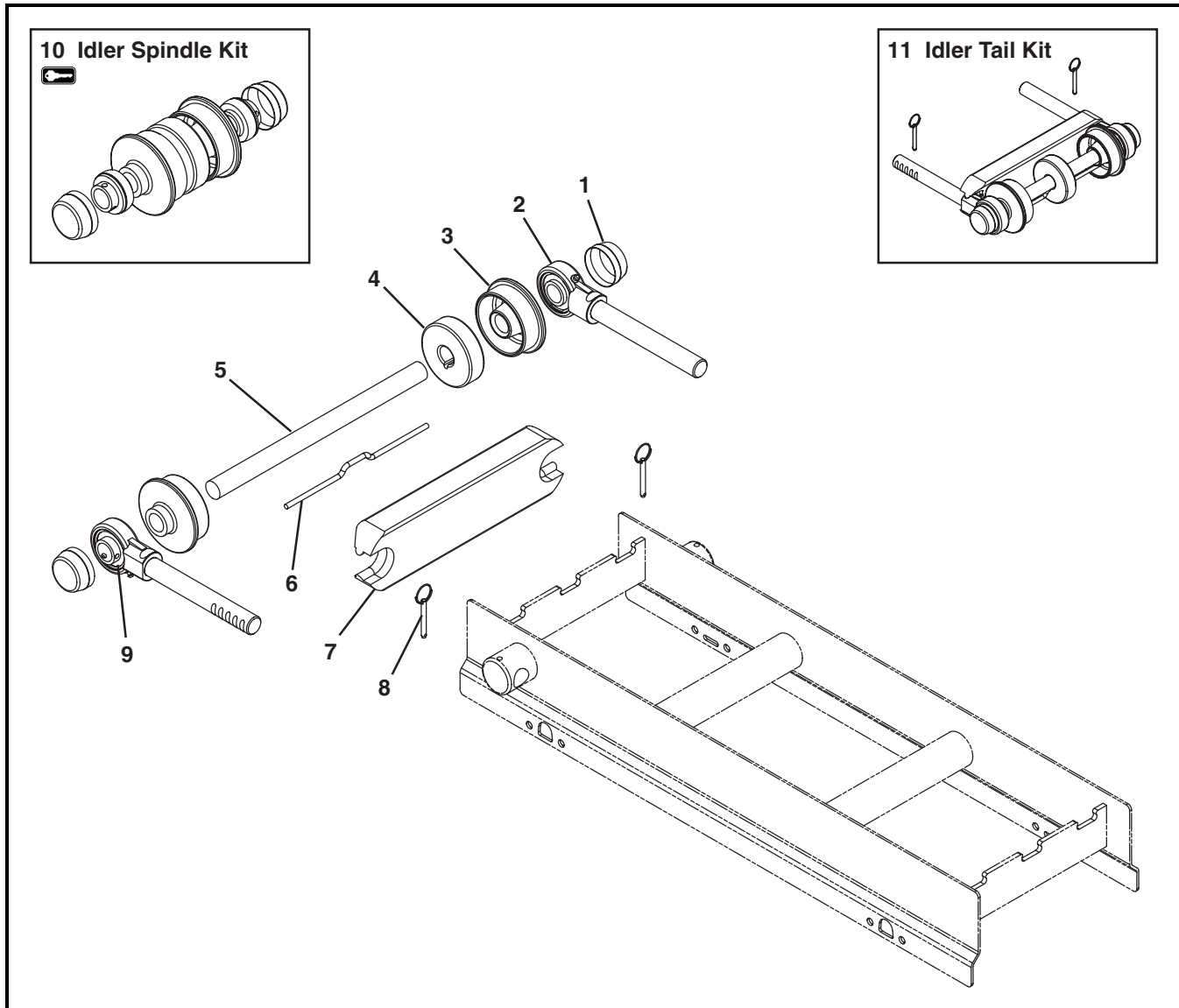
Service Parts

Item	Part Number	Description
9	5009 WW	Guard Bar
10	807-1424	Pull Pin
11	802-162	Bearing
12 	74D12- WW	Drive Spindle Kit for Standard .50" Pitch Belt (Includes Items 1, 3, 4 and 11)
	74D25- WW	Drive Spindle Kit for Standard 1.00" Pitch Belt (Includes Items 1, 3, 4 and 11)
	74D11- WW	Drive Spindle Kit for Specialty Intralox .60" Pitch Belt (Includes Items 1, 3, 4 and 11)
	74D16- WW	Drive Spindle Kit for Specialty Intralox 1.00" Pitch Belt (Includes Items 1, 3, 4 and 11)
13	74DDT12- WW	Drive Tail Kit for Standard .50" Pitch Belt (Includes Items 1 through 10)
	74DDT25- WW	Drive Tail Kit for Standard 1.00" Pitch Belt (Includes Items 1 through 10)
	74DDT11- WW	Drive Tail Kit for Specialty Intralox .60" Pitch Belt (Includes Items 1 through 10)
	74DDT16- WW	Drive Tail Kit for Specialty Intralox 1.00" Pitch Belt (Includes Items 1 through 10)
WW = Conveyor width ref: 06 - 60 in 02 increments		
* When the conveyor is ordered with a Dorner gearmotor mounting package the shaft assembly is replaced with a gearmotor mounting bracket.		

Sprocket Quantity (Item 4)	
Width	Sprocket Quantity
6" (152mm)	2
8" (203mm)	2
10" (254mm)	3
12" (305mm)	3
14" (356mm)	4
16" (406mm)	4
18" (457mm)	5
20" (508mm)	5
22" (559mm)	6
24" (610mm)	6
26" (660mm)	7
28" (711mm)	7
30" (762mm)	8
32" (813mm)	8
34" (864mm)	9
36" (914mm)	9
38" (965mm)	10
40" (1016mm)	10
42" (1067mm)	11
44" (1118mm)	11
46" (1168mm)	12
48" (1219mm)	12
50" (1270mm)	13
52" (1321mm)	13
54" (1372mm)	14
56" (1422mm)	14
58" (1473mm)	15
60" (1524mm)	15

Service Parts

Tension End Components

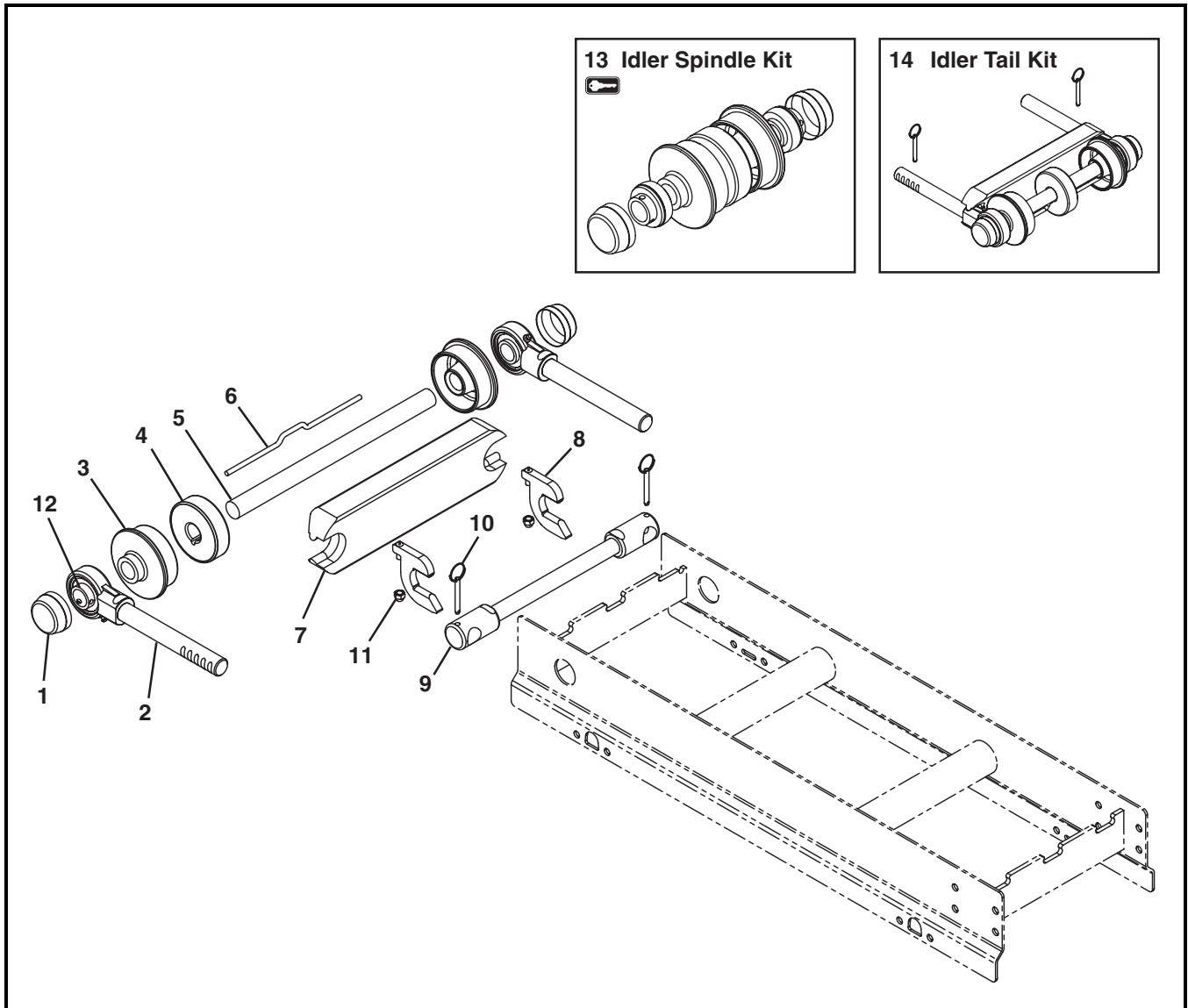


Item	Part Number	Description
1	807-1454	Bearing Cover
2	500079	Shaft Assembly with Bearing
3	5017WW	Flanged Puck, Idler Tail for Standard Belt
	5072WW	Flanged Puck, Idler Tail for Specialty Intralox Belt
4	500175	Idler Puck (for 8" - 60" wide conveyors only)
5	5007WW	Idler Shaft
6	5008WW	Bent Retaining Bar for Standard Belt (for 8" - 60" wide conveyors only)
	5073WW	Bent Retaining Bar for Specialty Intralox Belt (for 8" - 60" wide conveyors only)

Item	Part Number	Description
7	5009WW	Guard Bar
8	807-1469	Pull Pin
9	802-162	Bearing
	74I-WW	Idler Spindle Kit for Standard Belt (Includes Items 1, 3, 4 and 9)
10	74IS-WW	Idler Spindle Kit for Specialty Intralox Belt (Includes Items 1, 3, 4 and 9)
	74IT-WW	Idler Tail Kit for Standard Belt (Includes Items 1 through 8)
11	74ITS-WW	Idler Tail Kit for Specialty Intralox Belt (Includes Items 1 through 8)

WW = Conveyor width ref: 06 - 60 in 02 increments

Tip Up Tension End



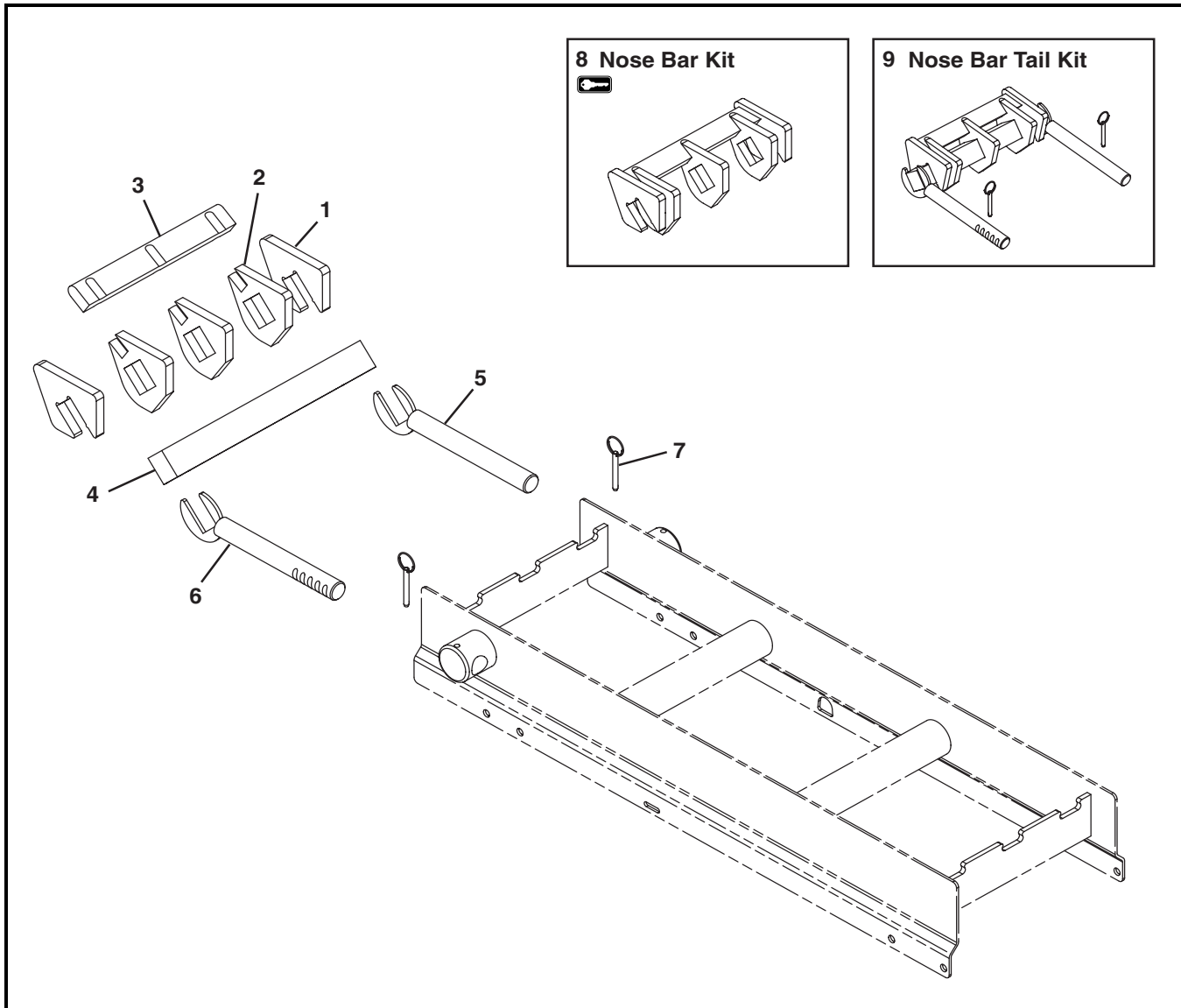
Item	Part Number	Description
1	807-1454	Bearing Cover
2	500079	Shaft Assembly with Bearing
3	5017WW	Flanged Puck, Idler Tail for Standard Belt
	5072WW	Flanged Puck, Idler Tail for Specialty Intralox Belt
4	500175	Idler Puck (for 8" - 60" wide conveyors only)
5	5007WW	Idler Shaft
6	5008WW	Bent Retaining Bar for Standard Belt (for 8" - 60" wide conveyors only)
	5073WW	Bent Retaining Bar for Specialty Intralox Belt (for 8" - 60" wide conveyors only)
7	5009WW	Guard Bar

Item	Part Number	Description
8	500184	Key Stop
9	5005WW	Tip Up Shaft Assembly
10	807-1469	Pull Pin
11	991008MSS	M10-1.50 Acorn Nut
12	802-162	Bearing
13	74I-WW	Idler Spindle Kit for Standard Belt (Includes Items 1, 3, 4 and 12)
	74IS-WW	Idler Spindle Kit for Specialty Intralox Belt (Includes Items 1, 3, 4 and 12)
14	74IT-WW	Idler Tail Kit for Standard Belt (Includes Items 1 through 7 and 10)
	74ITS-WW	Idler Tail Kit for Specialty Intralox Belt (Includes Items 1 through 7 and 10)

WW = Conveyor width ref: 06 - 60 in 02 increments

Service Parts

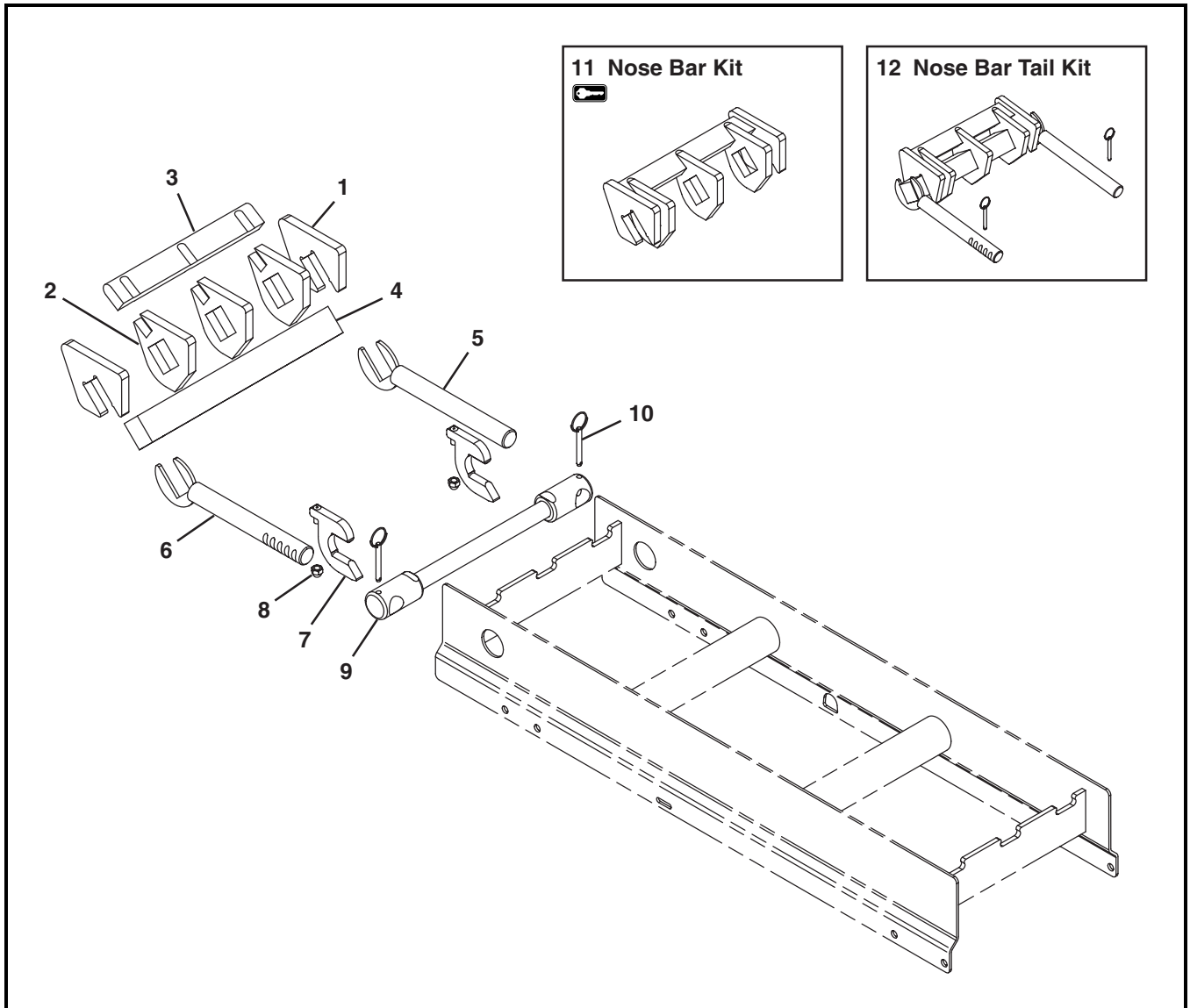
Nose Bar Tension End



Item	Part Number	Description
1	500490	Nose Bar Tracking Puck
2	500278	Nose Bar Puck
3	5056 WW	.5" Pitch Nose Bar Wear Strip
	5058 WW	1" Pitch Nose Bar Wear Strip
4	5037 WW	Nose Bar Transfer Post for Standard Belt
	5076 WW	Nose Bar Transfer Post for Specialty Intralox Belt
5	500487	Nose Bar Idler Shaft Left Hand
6	500488	Nose Bar Idler Shaft Right Hand
7	807-1469	Pull Pin
8	74NB5- WW	.5" Nose Bar Kit (Includes Items 1 through 3)
	74NB1- WW	1" Nose Bar Kit (Includes Items 1 through 3)

Item	Part Number	Description
9	74NBT5- WW	.5" Nose Bar Tail Kit for Standard Belt (Includes Items 1 through 6)
	74NBT1- WW	1" Nose Bar Tail Kit For Standard Belt (Includes Items 1 through 6)
	74NBT5S- WW	.5" Nose Bar Tail Kit for Specialty Intralox Belt (Includes Items 1 through 6)
	74NBT1S- WW	1" Nose Bar Tail Kit For Specialty Intralox Belt (Includes Items 1 through 6)
WW = Conveyor width ref: 06 - 60 in 02 increments		

Nose Bar Tip Up Tension End



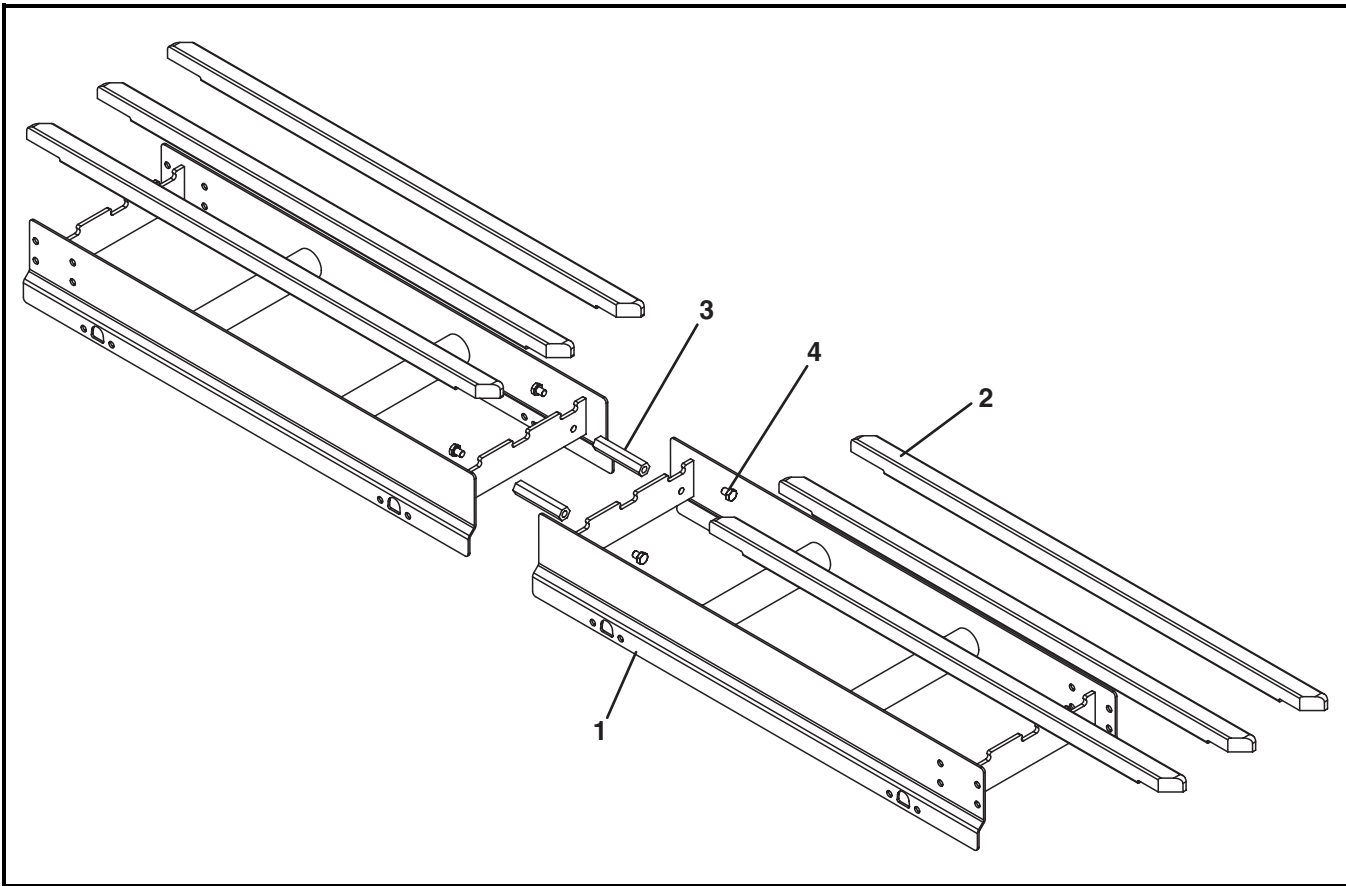
Item	Part Number	Description
1	500490	Nose Bar Tracking Puck
2	500278	Nose Bar Puck
3	5056WW	.5" Pitch Nose Bar Wear Strip
	5058WW	1" Pitch Nose Bar Wear Strip
4	5037WW	Nose Bar Transfer Post for Standard Belt
	5076WW	Nose Bar Transfer Post for Specialty Intralox Belt
5	500487	Nose Bar Idler Shaft Left Hand
6	500488	Nose Bar Idler Shaft Right Hand
7	500184	Key Stop
8	991008MSS	M10-1.50 Acorn Nut
9	5005WW	Tip Up Shaft Assembly

Item	Part Number	Description
10	807-1469	Pull Pin
11	74NB5-WW	.5" Nose Bar Kit (Includes Items 1 through 3)
	74NB1-WW	1" Nose Bar Kit (Includes Items 1 through 3)
12	74NBT5-WW	.5" Nose Bar Tail Kit for Standard Belt (Includes Items 1 through 6)
	74NBT1-WW	1" Nose Bar Tail Kit For Standard Belt (Includes Items 1 through 6)
	74NBT5S-WW	.5" Nose Bar Tail Kit for Specialty Intralox Belt (Includes Items 1 through 6)
	74NBT1S-WW	1" Nose Bar Tail Kit For Specialty Intralox Belt (Includes Items 1 through 6)

WW = Conveyor width ref: 06 - 60 in 02 increments

Service Parts

Conveyor Frame and Extension



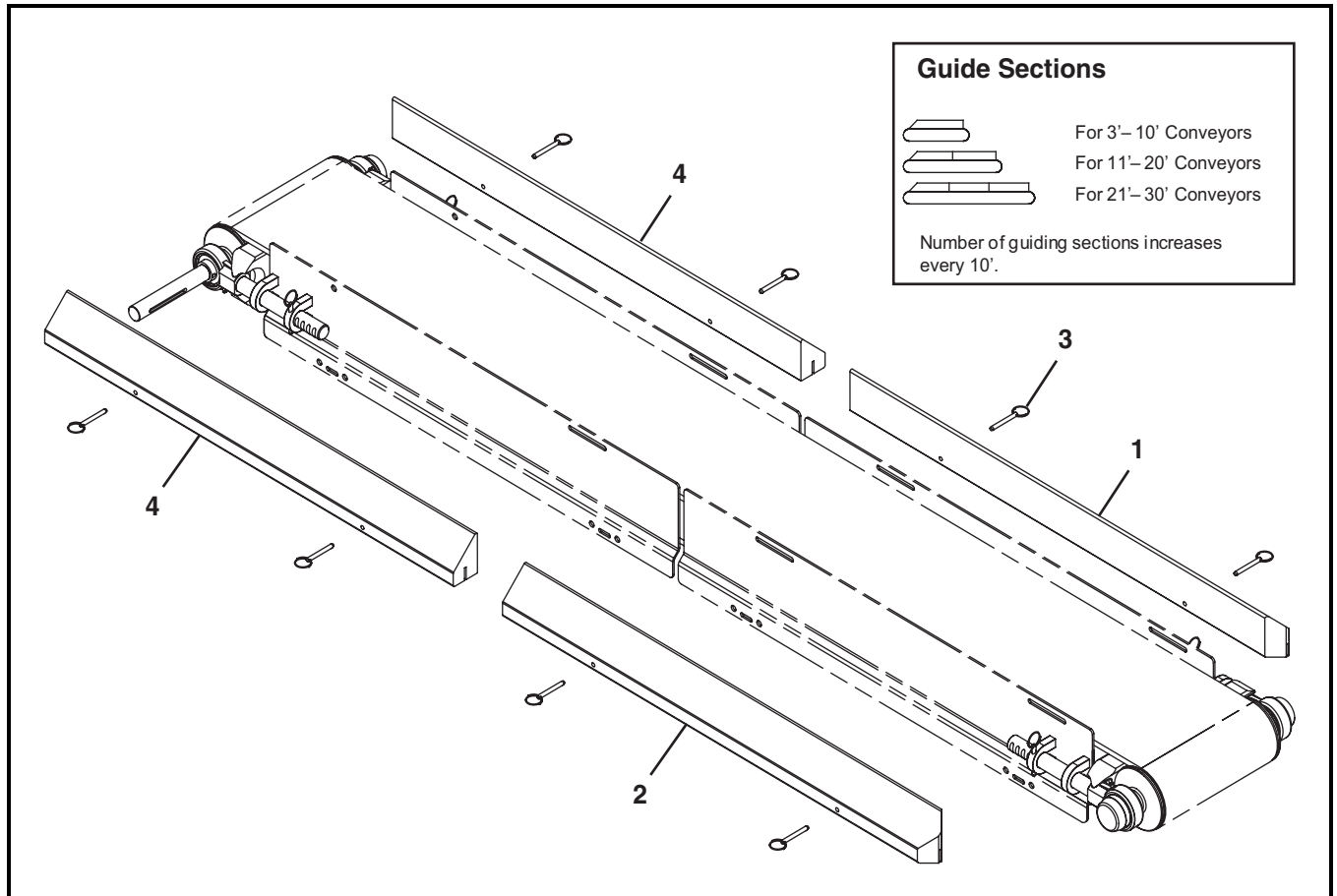
Item	Part Number	Description
1	-----	Consult Factory for Frame Part Number
2	501800-LLL	Straight Wear Strip
3	50193	Hex Post Connector
4	961016MSS	Hex Head Cap Screw M10-1.5x16mm

LLL = Conveyor length ref: 036 - 999 in 001 increments

		Wear Strip Quantity (Item 2)								
		Conveyor Length (LLL)								
		036-132	133-252	253-372	373-492	493-612	613-732	733-852	853-999	
Conveyor Width (WWW)	06	2	4	6	8	10	12	14	16	
	08	2	4	6	8	10	12	14	16	
	10	3	6	9	12	15	18	21	24	
	12	3	6	9	12	15	18	21	24	
	14	3	6	9	12	15	18	21	24	
	16	4	8	12	16	20	24	28	32	
	18	4	8	12	16	20	24	28	32	
	20	5	10	15	20	25	30	35	40	
	22	5	10	15	20	25	30	35	40	
	24	5	10	15	20	25	30	35	40	

		Wear Strip Quantity (Item 2)								
		Conveyor Length (LLL)								
		036-132	133-252	253-372	373-492	493-612	613-732	733-852	853-999	
Conveyor Width (WWW)	26	6	12	18	24	30	36	42	48	
	28	6	12	18	24	30	36	42	48	
	30	6	12	18	24	30	36	42	48	
	32	7	14	21	28	35	42	49	56	
	34	7	14	21	28	35	42	49	56	
	36	8	16	24	32	40	48	56	64	
	38	8	16	24	32	40	48	56	64	
	40	8	16	24	32	40	48	56	64	
	42	9	18	27	36	45	54	63	72	
	44	9	18	27	36	45	54	63	72	
	46	9	18	27	36	45	54	63	72	
	48	10	20	30	40	50	60	70	80	
	50	10	20	30	40	50	60	70	80	
	52	11	22	33	44	55	66	77	88	
	54	11	22	33	44	55	66	77	88	
	56	11	22	33	44	55	66	77	88	
58	12	24	36	48	60	72	84	96		
60	12	24	36	48	60	72	84	96		

3" (76 mm) High Sides

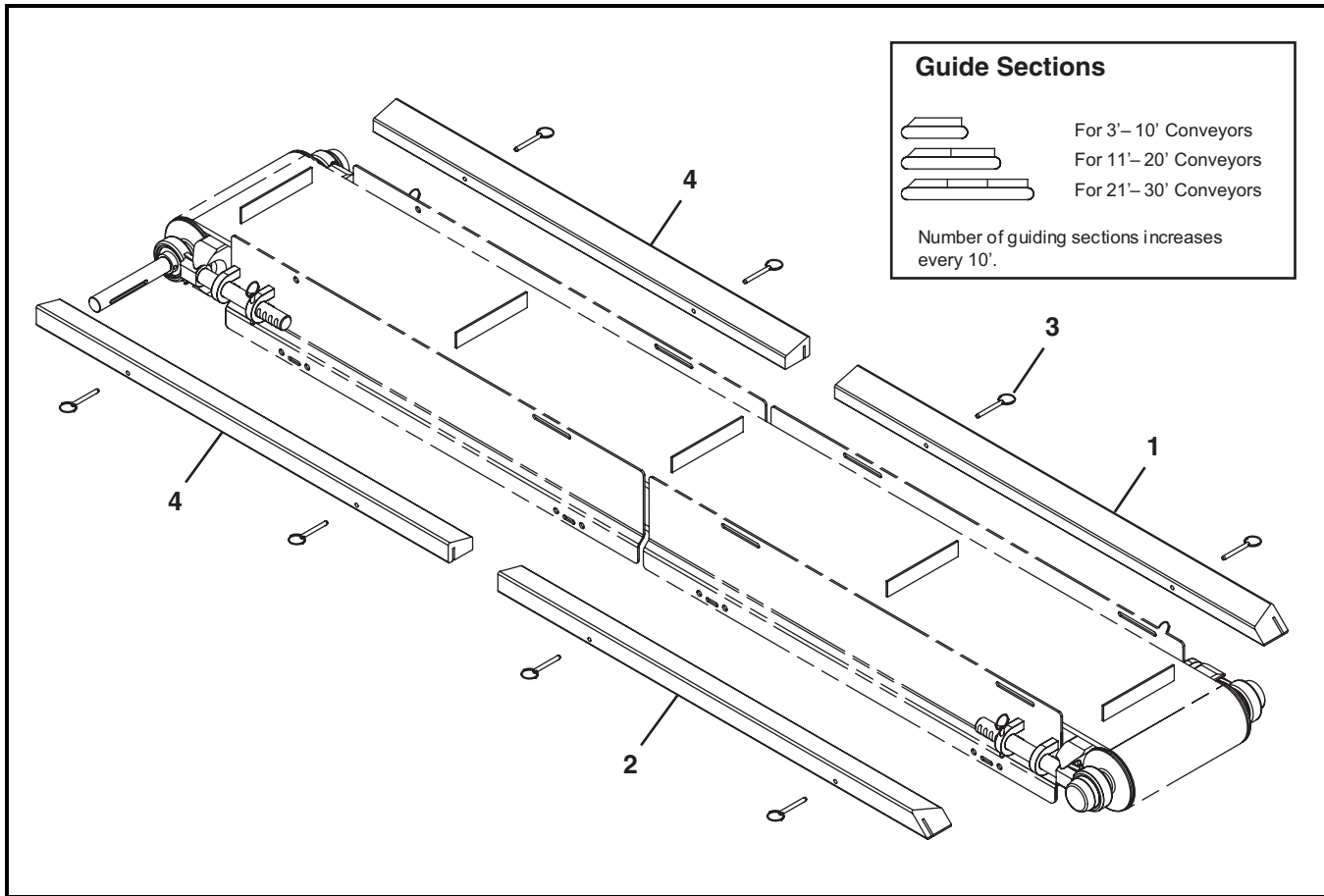


Item	Part Number	Description
1	503501- <u>LLLLL</u>	Right Hand High Side Guide
2	503601- <u>LLLLL</u>	Left Hand High Side Guide
3	807-1469	Pull Pin

Item	Part Number	Description
4	503401- <u>LLLLL</u>	Square End High Side Guide
<u>LLLLL</u> = Guide Length in inches with 2 decimal places.		
Example: Guide Length = 95.25" <u>LLLLL</u> = 09525		

Service Parts

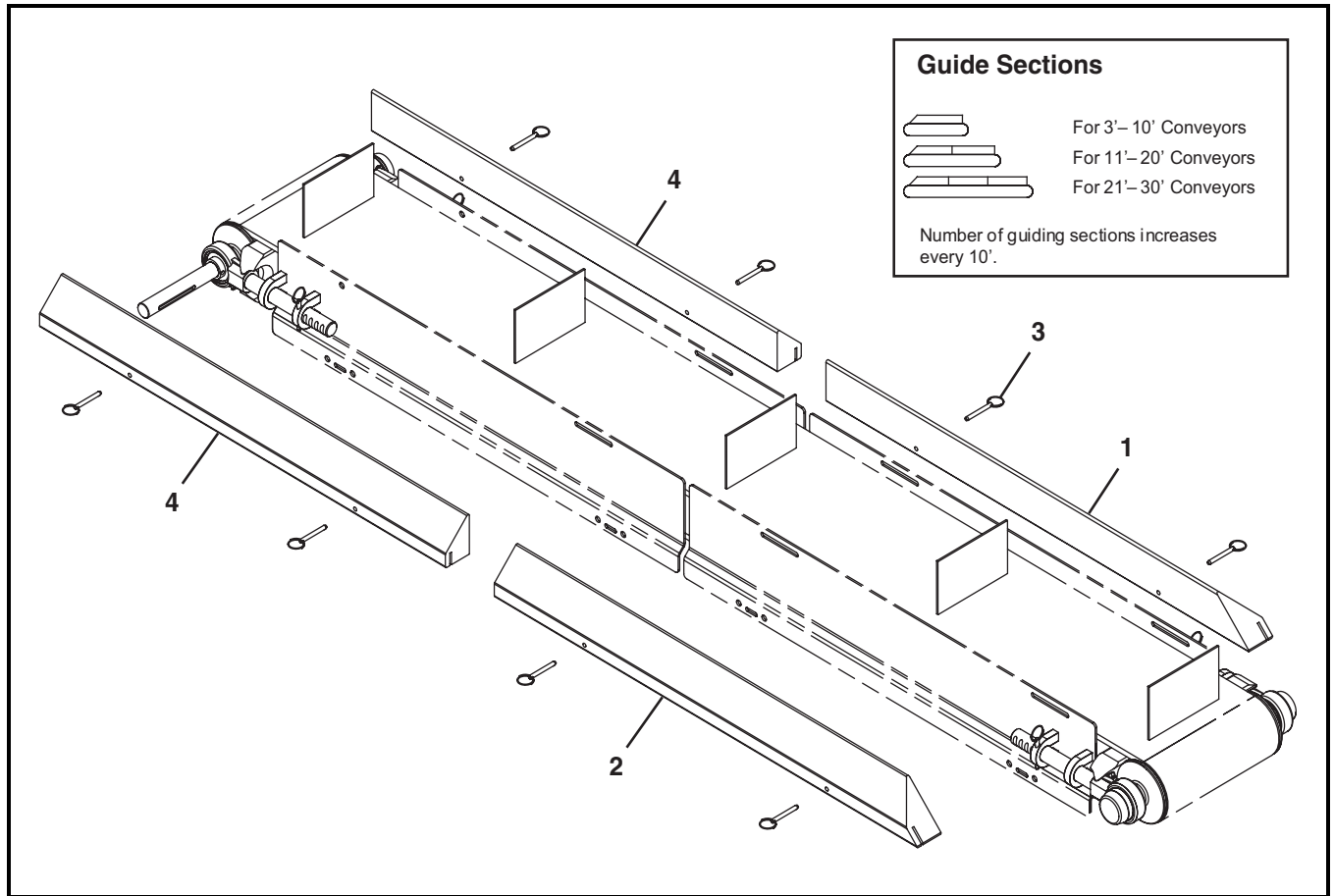
Cleated 1" (25 mm) Guides



Item	Part Number	Description
1	502401-LLLLL	1" Cleated Right Hand Guide (6" - 16" wide conveyors)
	502402-LLLLL	1" Cleated Right Hand Guide (18" - 24" wide conveyors)
2	502501-LLLLL	1" Cleated Left Hand Guide (6" - 16" wide conveyors)
	502502-LLLLL	1" Cleated Left Hand Guide (18" - 24" wide conveyors)

Item	Part Number	Description
3	807-1469	Pull Pin
4	502301-LLLLL	1" Cleated Guide Square End (6" - 16" wide conveyors)
	502302-LLLLL	1" Cleated Guide Square End (18" - 24" wide conveyors)
LLLLL = Guide Length in inches with 2 decimal places.		
Example: Guide Length = 95.25" LLLLL = 09525		

Cleated 3" (76 mm) Guides

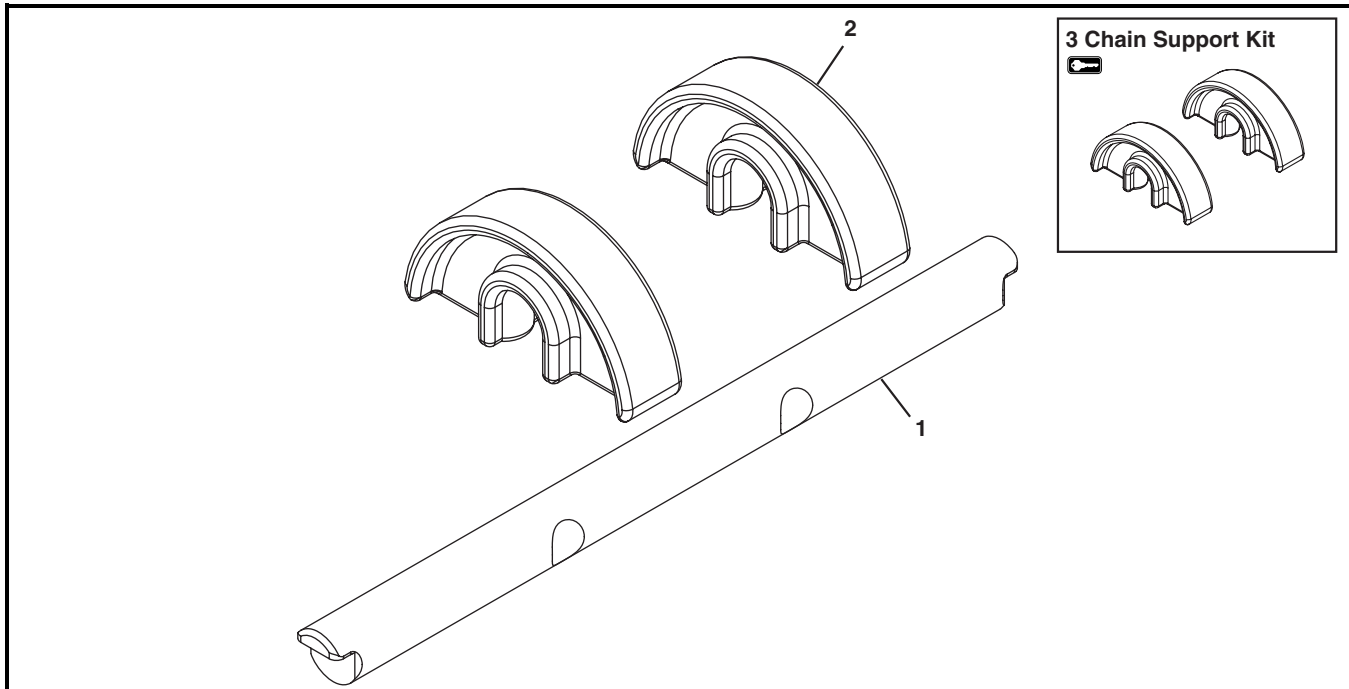


Item	Part Number	Description
1	502701-LLLLL	3" Cleated Right Hand Guide (6" - 16" wide conveyors)
	502702-LLLLL	3" Cleated Right Hand Guide (18" - 24" wide conveyors)
2	502801-LLLLL	3" Cleated Left Hand Guide (6" - 16" wide conveyors)
	502802-LLLLL	3" Cleated Left Hand Guide (18" - 24" wide conveyors)

Item	Part Number	Description
3	807-1469	Pull Pin
4	502601-LLLLL	3" Cleated Guide Square End (6" - 16" wide conveyors)
	502602-LLLLL	3" Cleated Guide Square End (18" - 24" wide conveyors)
LLLLL = Guide Length in inches with 2 decimal places.		
Example: Guide Length = 95.25" LLLLL = 09525		

Service Parts

Flat Belt Returns

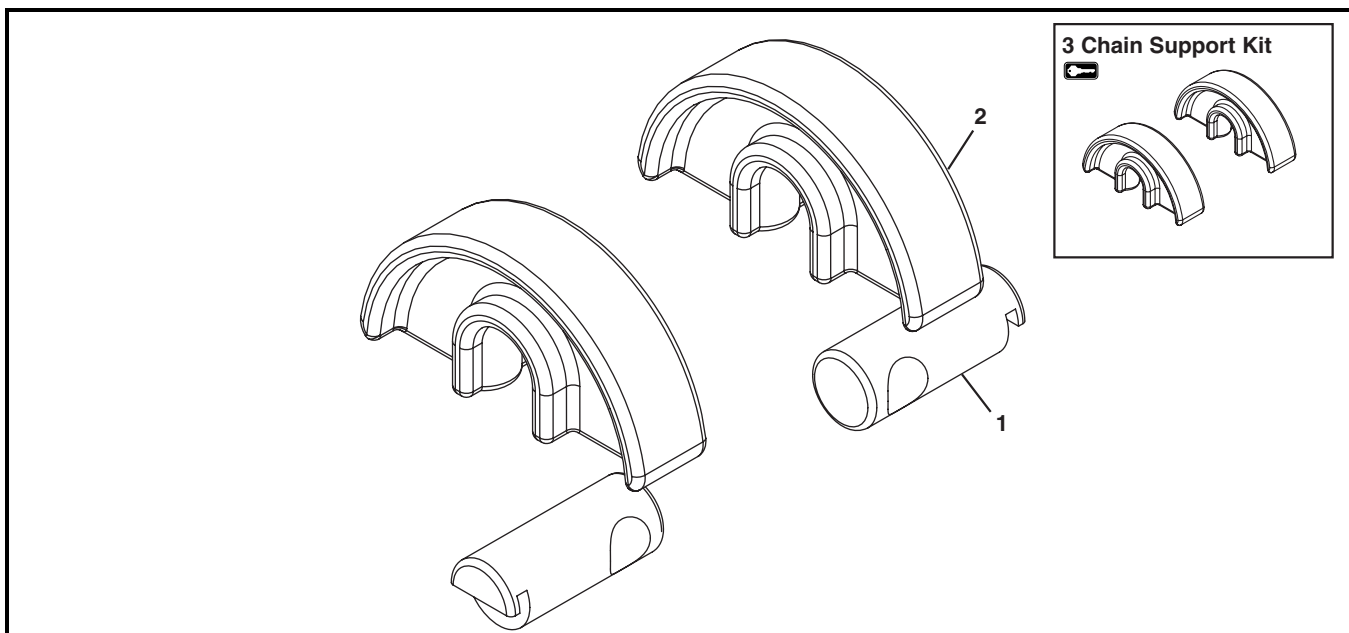


Item	Part Number	Description
1	5032WW	Return Shaft
2	500075	Chain Return Shoe

Item	Part Number	Description
3	74R-WW	Chain Support Kit (Includes Item 2)

WW = Conveyor width ref: 06 - 60 in 02 increments

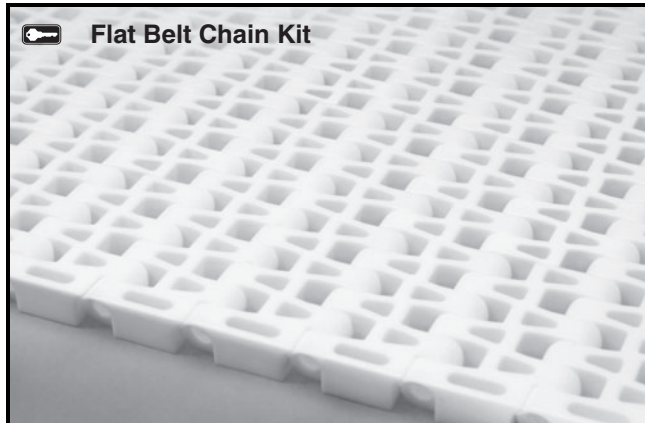
Cleated Belt Returns



Item	Part Number	Description
1	500196	Cleated Return Shaft
2	500075	Chain Return Shoe

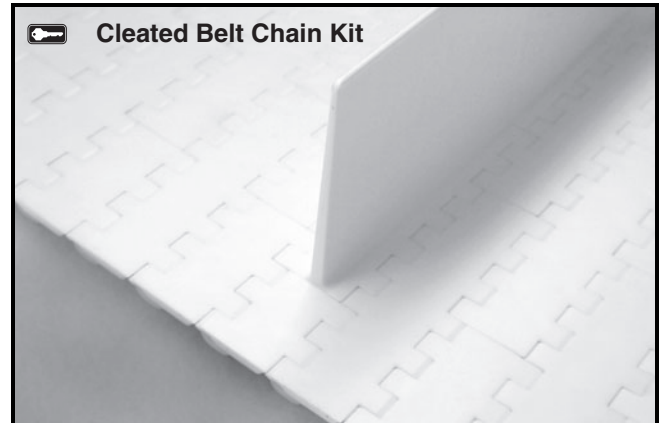
Item	Part Number	Description
3	74CR	Chain Support Kit (Includes Item 2)

Flat Belt



Item	Part Number	Description
1	74BB-WW	Flat Belt Chain Repair Kit (Includes 1 ft (305 mm) of flat belt chain and assembly pins)
BB = Chain Reference Number		
WW = Conveyor width ref: 06 - 60 in 02 increments		

Cleated Belt



Item	Part Number	Description
1	74BB-WW-SS	Cleated Belt Chain Repair Kit (Includes 1 cleat centered on a cleat spacing length of chain and assembly pins)
BB = Chain Reference Number		
WW = Conveyor width ref: 06 - 60 in 02 increments		
SS = Cleat Spacing		

Ordering a Replacement Chain

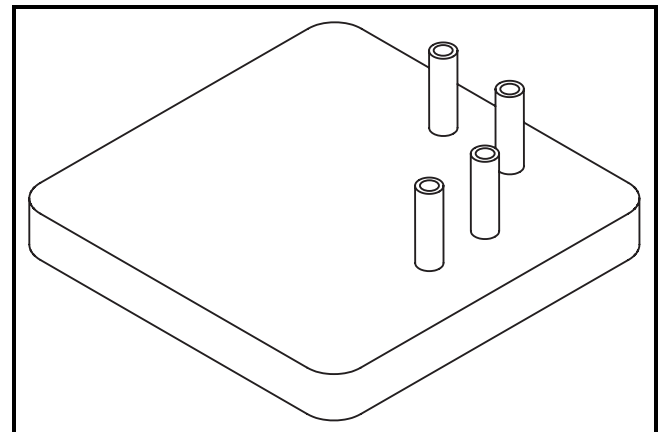
Determine the length of chain required for the conveyor and round up to the nearest foot length. Order the proper number of chain repair kits (1' long each) for your conveyor. Dorner will ship chain kits that are of a reasonable length fully assembled.

Example:

Overall chain length = 42' 5" (rounded up = 43')

Order: Qty (43) of 74BB-WW

Belt Removal Tool



Item	Part Number	Description
1	500582	Tool Rod Removal for 1" Pitch Flush Grid Belt
	500494	Tool Rod Removal for 1/2" Pitch Flush Grid Belt

Service Parts

Configuring Conveyor Part Number

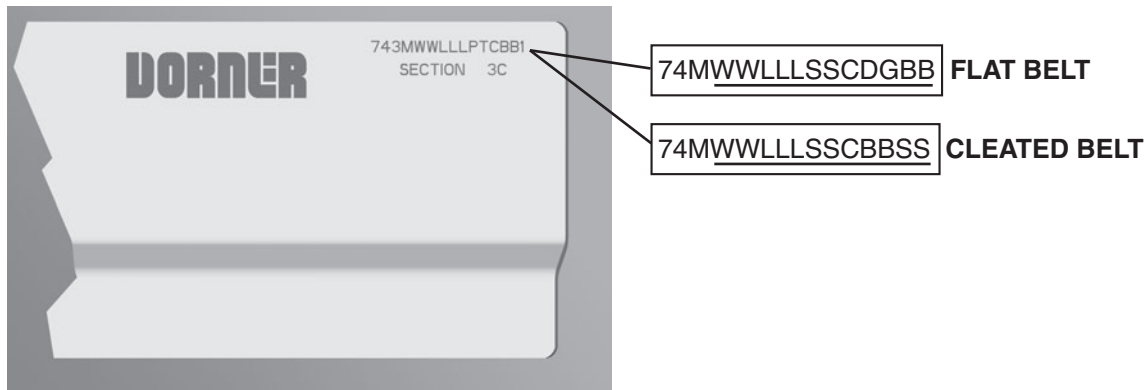


Figure 82

Flat Belt Conveyor

Refer to the model number on the conveyor frame (**Figure 82**). From the model number, determine conveyor width (WW), length (LLL), drive stand location (S), idler stand location (S), cleaning options (C), drive/pulley type (D), profile (G) and belt material (BB).

Example:

74M12072CC111MA

7400 Series end drive, flat belt conveyor, 12" (305mm) wide x 72" (1829mm) long, stands located 18" (457mm) from each end, frame cutout cleaning option, side drive with standard pulleys on each end, low side profiles, and MA belt material.

Cleated Belt Conveyor

Refer to the model number on the conveyor frame (**Figure 82**). From the model number, determine conveyor width (WW), length (LLL), drive stand location (S), idler stand location (S), cleaning options (C), cleated belt material (BB) and cleat spacing (SS).

Example:

74M12072CC1NA10

7400 Series end drive, cleated belt conveyor, 12" (305mm) wide x 72" (1829mm) long, stands located 18" (457mm) from each end, frame cutout cleaning option, NA cleated belt material, side drive with standard pulleys on each end, and 10 link spacing for cleats.

Return Policy

Returns must have prior written factory authorization or they will not be accepted. Items that are returned to Dorner without authorization will not be credited nor returned to the original sender. When calling for authorization, please have the following information ready for the Dorner factory representative or your local distributor:

1. Name and address of customer.
2. Dorner part number(s) of item(s) being returned.
3. Reason for return.
4. Customer's original order number used when ordering the item(s).
5. Dorner or distributor invoice number.

A representative will discuss action to be taken on the returned items and provide a Returned Goods Authorization number for reference.

There will be a return charge on all new undamaged items returned for credit where Dorner was not at fault. Dorner is not responsible for return freight on such items.

Conveyors and conveyor accessories

Standard catalog conveyors	30%
MPB Series, cleated and specialty belt conveyors	50%
7400 & 7600 Series conveyors	non-returnable items
Engineered special products	case by case
Drives and accessories	30%
Sanitary stand supports	non-returnable items

Parts

Standard stock parts	30%
MPB, cleated and specialty belts	non-returnable items

Returns will not be accepted after 60 days from original invoice date.

The return charge covers inspection, cleaning, disassembly, disposal and reissuing of components to inventory.

If a replacement is needed prior to evaluation of returned item, a purchase order must be issued. Credit (if any) is issued only after return and evaluation is complete.

Dorner has representatives throughout the world. Contact Dorner for the name of your local representative. Our Technical Sales, Catalog Sales and Service Teams will gladly help with your questions on Dorner products.

For a copy of Dorner's Warranty, contact factory, distributor, service center or visit our website at www.dorner.com.

For replacement parts, contact an authorized Dorner Service Center or the factory.



Dorner Mfg. Corp. reserves the right to change or discontinue products without notice. All products and services are covered in accordance with our standard warranty. All rights reserved. © Dorner Mfg. Corp. 2005

DORNER MFG. CORP.

975 Cottonwood Drive, PO Box 20
Hartland, WI 53029-0020 USA
USA
TEL 1-800-397-8664 (USA)
FAX 1-800-369-2440 (USA)
Internet: www.dorner.com

Outside the USA:
TEL 1-262-367-7600
FAX 1-262-367-5827