



7400 Series Nose Bar Conveyors

Installation, Maintenance and Parts Manual



DORNER MFG. CORP.
P.O. Box 20 • 975 Cottonwood Ave.
Hartland, WI 53029-0020 USA

INSIDE THE USA
TEL: 1-800-397-8664
FAX: 1-800-369-2440

OUTSIDE THE USA
TEL: 262-367-7600
FAX: 262-367-5827

For other service manuals visit our website at:
www.dorner.com/service_manuals.asp

Table of Contents

| | | | |
|--|----|---|----|
| Introduction | 2 | Conveyors with Guides..... | 18 |
| Warnings – General Safety..... | 3 | Standard Belts | 18 |
| Product Description | 4 | Replacing a Section of Belt..... | 18 |
| Specifications | 4 | Replacing the Entire Belt | 19 |
| Installation | 6 | Specialty Intralox 1100 Series Belts..... | 19 |
| Required Tools..... | 6 | Replacing a Section of Belt..... | 19 |
| Recommended Installation Sequence | 6 | Replacing the Entire Belt | 20 |
| Conveyors up to 10 ft (3048 mm)..... | 6 | Conveyor Belt Tensioning..... | 20 |
| Stand Installation..... | 6 | Sprocket and Puck Removal..... | 21 |
| Tail Assembly Installation | 7 | A - Drive Sprocket Removal | 21 |
| Nose Bar Drive Tail..... | 7 | B - Nose Bar Puck Removal | 23 |
| Nose Bar Idler Tail | 7 | C - Idler Puck Removal | 23 |
| Nose Bar Tip Up Tail | 8 | Reassembling Tail Assemblies..... | 24 |
| Idler Tail | 10 | Nose Bar Drive Tail | 24 |
| Tip Up Tail | 10 | Nose Bar Assembly..... | 24 |
| Lifter Installation..... | 11 | Drive Tail Assembly | 25 |
| Wear Strip Installation | 12 | Nose Bar Idler and Tip Up Tail | 25 |
| Belt Installation | 12 | Idler Tail and Tip Up Tail..... | 26 |
| Belt Return Installation | 13 | Bearing Replacement | 27 |
| Conveyors Longer than 10 ft (3048 mm)..... | 15 | Service Parts..... | 28 |
| Preventive Maintenance and Adjustment..... | 16 | Nose Bar Drive End Components | 28 |
| Required Tools..... | 16 | Nose Bar Tension End..... | 30 |
| Checklist | 16 | Nose Bar Tip Up Tension End | 31 |
| Cleaning | 16 | Tension End Components | 32 |
| Routine Cleaning..... | 16 | Tip Up Tension End | 33 |
| Standard Conveyors..... | 16 | Conveyor Frame and Extension | 34 |
| Conveyors with Tip Up Tails and Lifters..... | 17 | 3" (76 mm) High Sides..... | 35 |
| Periodic Cleaning | 17 | Flat Belt Returns..... | 36 |
| Lubrication..... | 17 | Flat Belt Chain Repair Kit..... | 36 |
| Conveyor Bearings | 17 | Belt Removal Tool | 36 |
| Wearstrips and Belt Returns | 17 | Ordering a Replacement Chain | 37 |
| Maintaining the Conveyor Belt..... | 17 | Configuring a Conveyor Part Number | 37 |
| Troubleshooting | 17 | Return Policy..... | 38 |
| Conveyor Belt Replacement..... | 18 | | |

Introduction

CAUTION

Some illustrations may show guards removed. DO NOT operate equipment without guards.


Upon receipt of shipment:

- Compare shipment with packing slip. Contact factory regarding discrepancies.
- Inspect packages for shipping damage. Contact carrier regarding damage. Accessories may be shipped loose.
- See accessory instructions for installation.

The Dorner Limited Warranty applies.

Dorner 7400 Series conveyors have patents pending.

Dorner reserves the right to make changes at any time without notice or obligation.

Dorner has convenient, pre-configured kits of Key Service Parts for all conveyor products. These time saving kits are easy to order, designed for fast installation, and guarantee you will have what you need when you need it. Key Parts and Kits are marked in the Service Parts section of this manual with the Performance Parts Kits logo .

Intralox is a registered trademark of Laitram L.L.C. in the United States and / or other countries.

Warnings – General Safety

DANGER



SEVERE HAZARD!

KEEP OFF CONVEYORS. Climbing, sitting, walking or riding on conveyor will result in death or serious injury.

DANGER



EXPLOSION HAZARD!

- **DO NOT OPERATE CONVEYORS IN AN EXPLOSIVE ENVIRONMENT.** The electric gearmotor generates heat and could ignite combustible vapors.
- Failure to comply will result in death or serious injury.

WARNING



CRUSH HAZARD!

- **DO NOT** place hands or fingers inside the conveyor while it is running.
- **DO NOT** wear loose garments while operating the conveyor. Loose garments can become caught up in the conveyor.
- Failure to comply could result in serious injury.

WARNING



CRUSH HAZARD!

- **SUPPORT CONVEYOR SECTIONS PRIOR TO LOOSENING STAND HEIGHT OR ANGLE ADJUSTMENT SCREWS.**
- Loosening stand height or angle adjustment screws may cause conveyor sections to drop down, causing serious injury.

WARNING



SEVERE HAZARD!

LOCK OUT POWER before removing guards or performing maintenance. Exposed moving parts can cause serious injury.

WARNING



BURN HAZARD!

DO NOT TOUCH the motor while operating, or shortly after being turned off. Motors may be **HOT** and can cause serious burn injuries.

WARNING



PUNCTURE HAZARD!

Handle drive shaft keyway with care. It may be sharp and could puncture the skin, causing serious injury.

WARNING



SEVERE HAZARD!

- **Donner cannot control the physical installation and application of conveyors.** Taking protective measures is the responsibility of the user.
- When conveyors are used in conjunction with other equipment or as part of a multiple conveyor system, **CHECK FOR POTENTIAL PINCH POINTS** and other mechanical hazards before system start-up.
- Failure to comply could result in serious injury.

Product Description

Refer to (Figure 1) for typical conveyor components.

| Typical Components | |
|--------------------|------------------|
| 1 | Conveyor |
| 2 | Gearmotor |
| 3 | Belt |
| 4 | Return |
| 5 | Support Stands |
| 6 | Motor Controller |
| 7 | Drive End |
| 8 | Tension End |

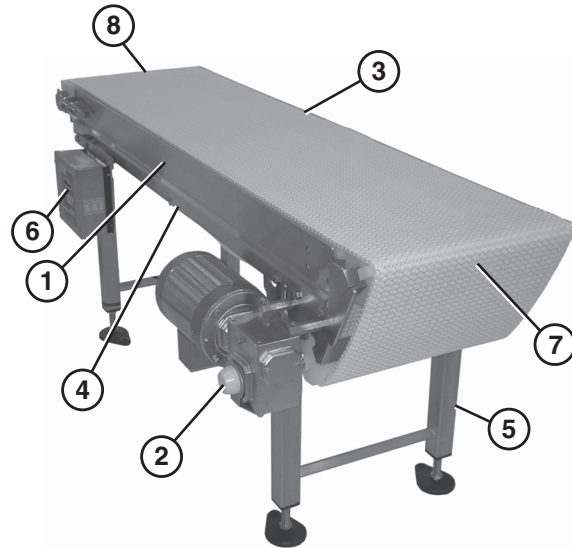
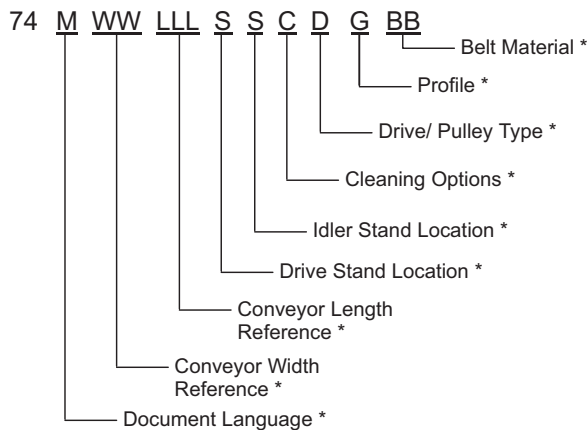


Figure 1

Specifications

Flat Belt 7400 Series Conveyor



* Refer to “Ordering and Specifications” Catalog for details.

Conveyor Supports

Maximum Distances:

1 = 3 ft (914 mm)

2 = 8 ft (2438 mm)**

3 = 3 ft (914 mm)

** For conveyors longer than 10 ft (3.05 m), install support at frame joint.

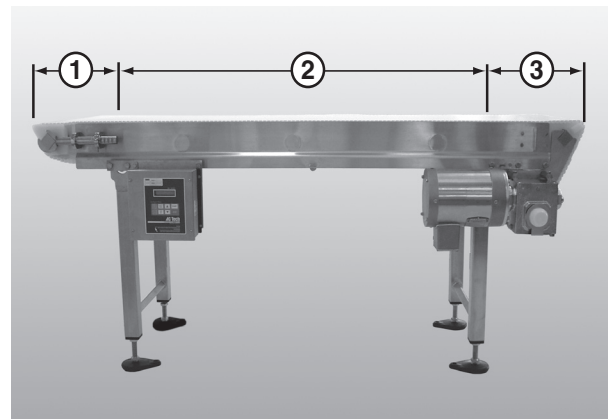


Figure 2

Specifications

| | |
|--------------------------------------|---|
| Conveyor Width Reference (WW) | 06 – 60 in 02 increments |
| Conveyor Belt Width | 6" (152 mm) – 60" (1524 mm) in 2" (51 mm) increments |
| Maximum Conveyor Load | 20 lb / ft ² (97 kg / m ²) with a maximum of 1000 lb / ft ² (4882 kg / m ²) |
| Belt Travel | 12" (305 mm) per revolution of pulley |
| Maximum Belt Speed | 117 ft / minute (36 m / minute) |
| Belt Take-up | 2" (51 mm) |

| | |
|--|---|
| Conveyor Length Reference (LLL) | 048 – 999 in 001 increments |
| Conveyor Length | 48" (1176 mm) – 999" (25.4 mm) in 1" (25 mm) increments |

IMPORTANT

Maximum conveyor loads are based on:

- *Non-accumulating product*
- *Product moving toward gearmotor*
- *Conveyor being mounted horizontally*
- *Conveyor being located in a dry environment*
- *Conveyor equipped with standard belt only*

Installation

CAUTION

Dorner recommends cleaning all the “food zones” prior to placing conveyor into service. Ensure adequate access is provided for cleaning and servicing equipment so that the required level of hygiene can be maintained.

CAUTION

Conveyor **MUST** be mounted straight, flat, and level within confines of conveyor. Use a level (Figure 3, item 1), during setup.

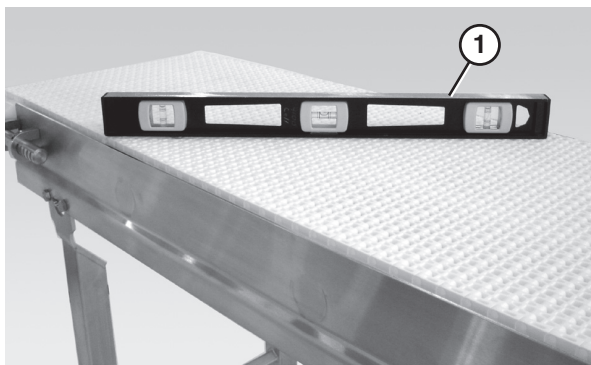


Figure 3

Required Tools

- 17 mm wrench (for hexagonal head fasteners)
- 4 mm hex wrench (for bearing shaft assembly fasteners)
- Level
- Torque wrench

Recommended Installation Sequence

1. Attach the stands to the conveyor. Refer to “Stand Installation” on page 6.
2. Attach the tail assemblies to the frame. Refer to “Tail Assembly Installation” on page 7.
3. Attach the lifters, if applicable. Refer to “Lifter Installation” on page 11.
4. Install the gearmotor, if applicable. Refer to the “7400 Series Drive Package Installation, Maintenance and Parts Manual.”
5. Attach the wearstrips. Refer to “Wear Strip Installation” on page 12.
6. Install the belt. Refer to “Belt Installation” on page 12.
7. Attach the belt returns. Refer to “Belt Return Installation” on page 13.

8. Attach any guides / accessories. Refer to the “Service Parts” section starting on page 28.

Conveyors up to 10 ft (3048 mm)

Stand Installation

Typical Stand Components (Figure 4)

- | | |
|---|--|
| 1 | Conveyor frame |
| 2 | Stand |
| 3 | M10 - 1.5 x 12 mm hex head cap screws (x4) |

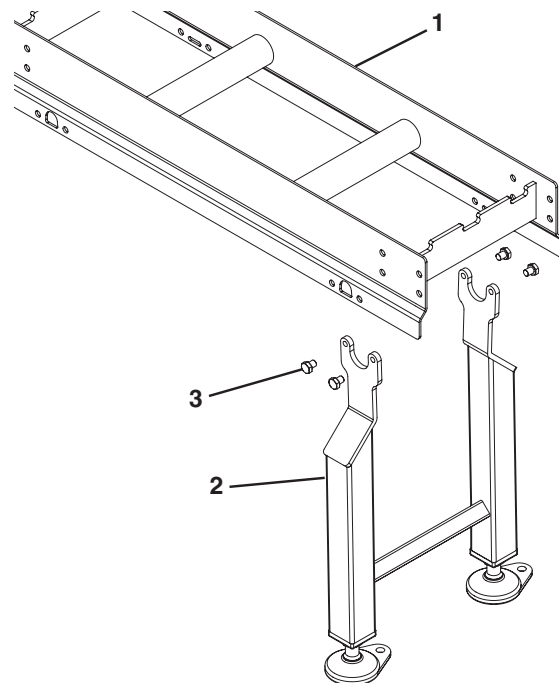


Figure 4

1. Position the stands on a flat, level surface.
2. Attach the stands to the frame (Figure 5).

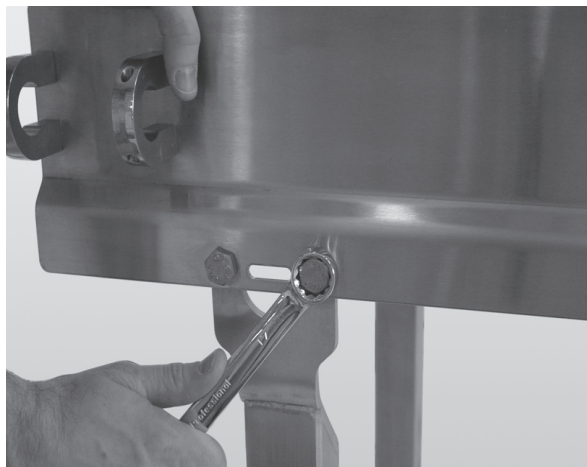


Figure 5

Tail Assembly Installation

Nose Bar Drive Tail

Typical Nose Bar Drive Tail Components (Figure 6)

| | |
|---|---|
| 1 | Nose bar drive tail assembly |
| 2 | M10 x 1.5 x 12mm hex head cap screws (x4) |
| 3 | Conveyor frame |

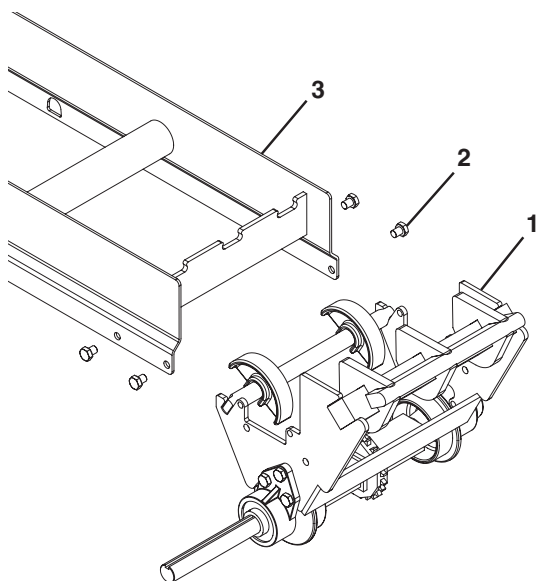


Figure 6

1. Bolt the nose bar drive tail assembly to the conveyor frame (Figure 7).

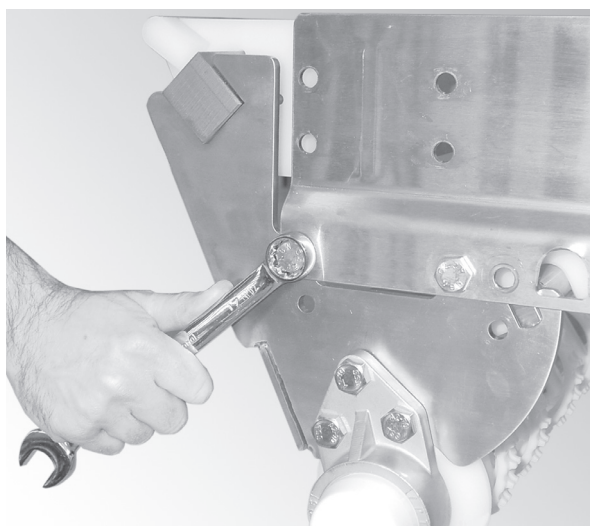


Figure 7

2. Install the drive package, if applicable. Refer to the "7400 Series Drive Package Installation, Maintenance and Parts Manual."

Nose Bar Idler Tail

Typical Nose Bar Idler Tail Components (Figure 8)

| | |
|---|------------------------------|
| 1 | Nose bar idler tail assembly |
| 2 | Pull pin (x2) |
| 3 | Conveyor frame |

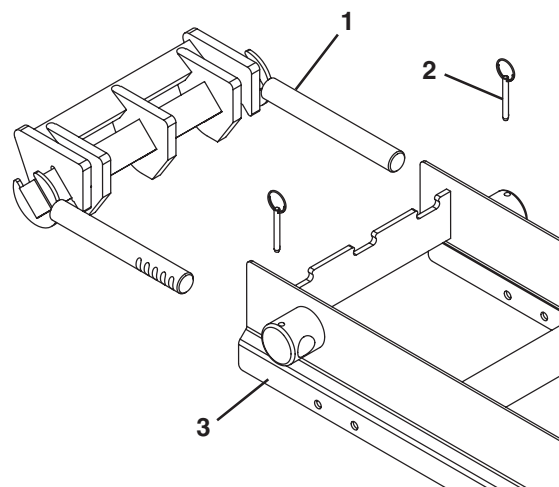


Figure 8

1. Slide the nose bar idler shaft hands (Figure 9, item 1) into the take up blocks (Figure 9, item 2).
2. Attach the nose bar transfer post (Figure 9, item 3) to the nose bar idler shaft hands.

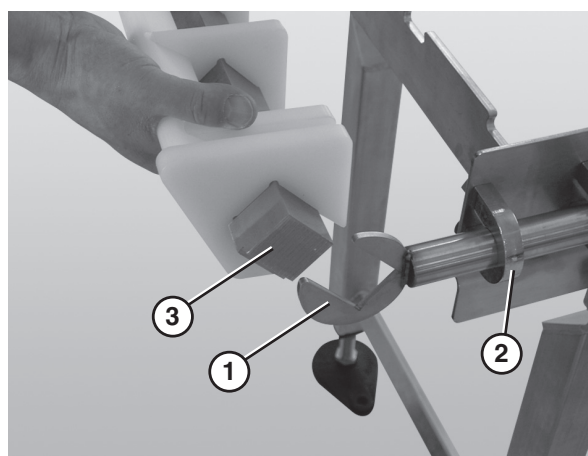


Figure 9

Installation

3. Ensure that the nose bar pucks (Figure 10, item 1) are in line with the conveyor frame (Figure 10, item 2).

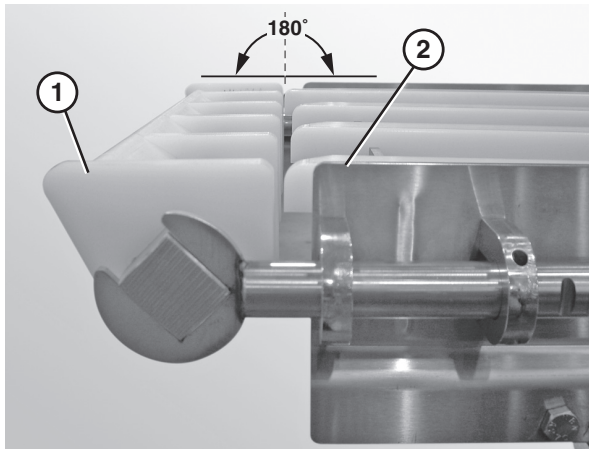


Figure 10

NOTE

Do not insert the pull pins on the tension end of the conveyor until the belt has been installed.

Nose Bar Tip Up Tail

Typical Nose Bar Tip Up Tail Components (Figure 11)

- | | |
|---|----------------------|
| 1 | Tip up tail assembly |
| 2 | Pull pin (x2) |
| 3 | Tip up shaft |
| 4 | Key stops (x2) |

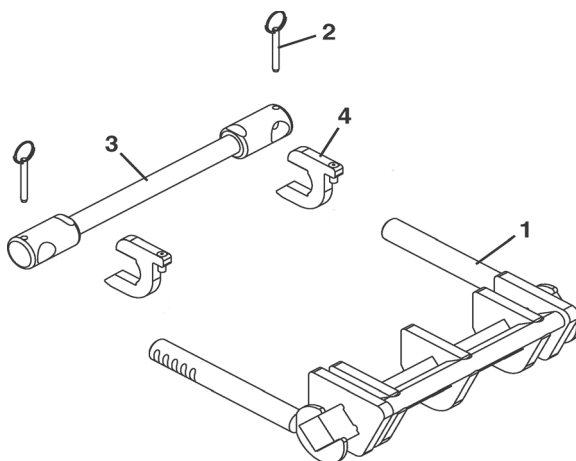


Figure 11

1. Slide the tip up shaft (Figure 12, item 1) through the designated slots in the frame.

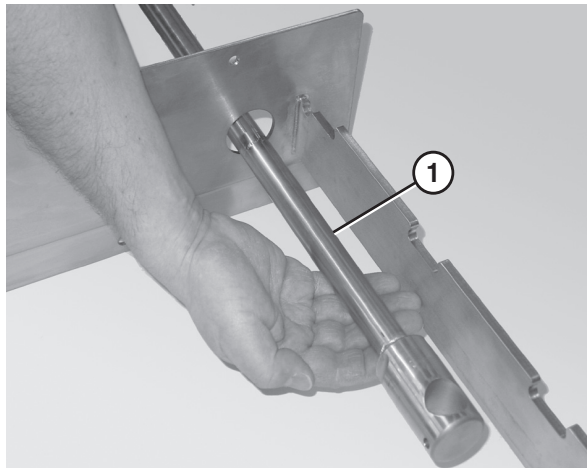


Figure 12

2. Attach the key stops (Figure 13, item 1) to the tip up shaft (Figure 13, item 2). The rounded end of the key stop should face the tail.

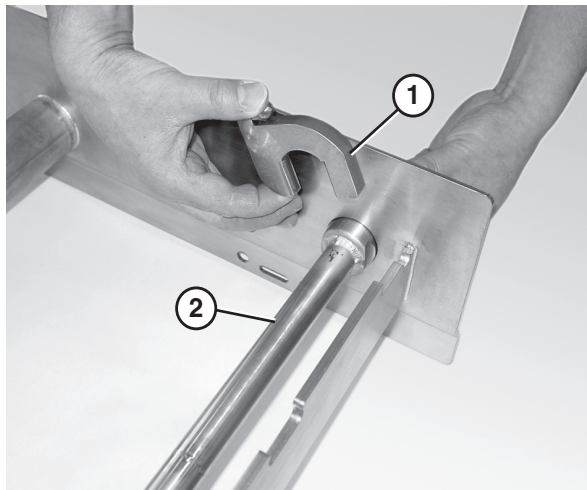


Figure 13

3. Attach the nose bar idler shaft hands (Figure 14, item 1) to the tip up shaft (Figure 14, item 2).

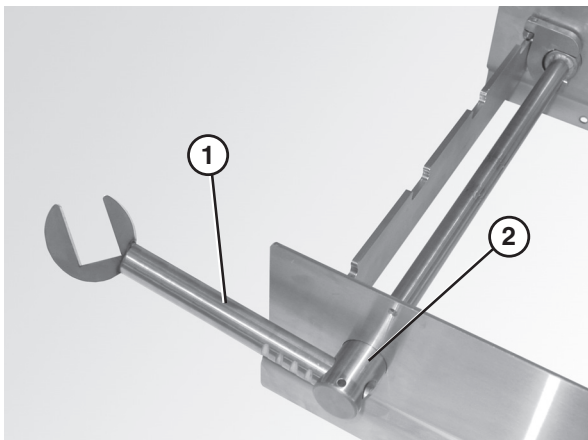


Figure 14

4. Attach the nose bar transfer post (Figure 15, item 1) to the nose bar idler shaft hands (Figure 15, item 2).

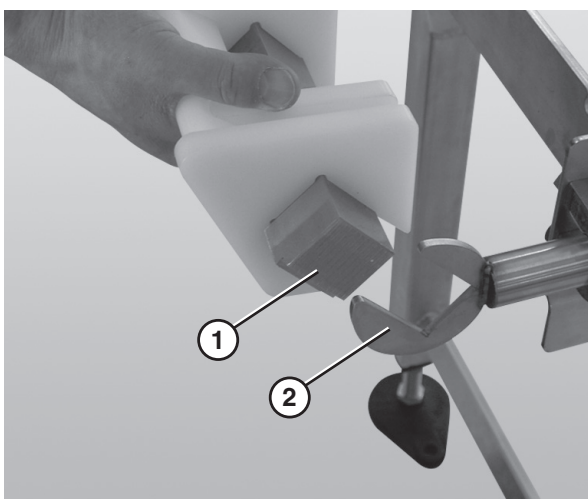


Figure 15

5. Ensure that the nose bar pucks (Figure 16, item 1) are in line with the conveyor frame (Figure 16, item 2).

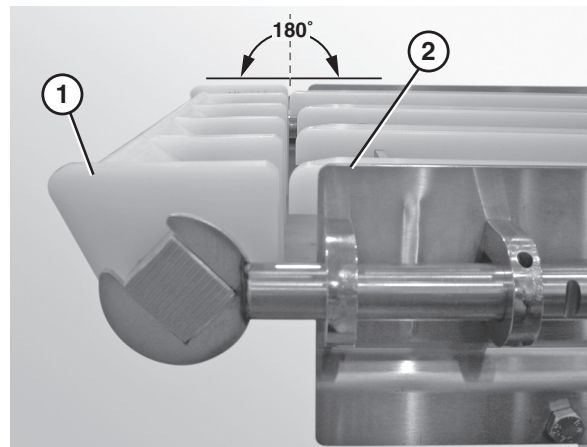


Figure 16

NOTE

Do not insert the pull pins on the tension end of the conveyor until the belt has been installed.

NOTE

Adjust the acorn nuts (Figure 11, item 5) on the key stops (Figure 11, item 4) to raise or lower the tip up tail assembly.

Installation

Idler Tail

Typical Idler Tail Components (**Figure 17**)

- | | |
|---|---------------------|
| 1 | Idler tail assembly |
| 2 | Pull pin (x2) |
| 3 | Conveyor frame |

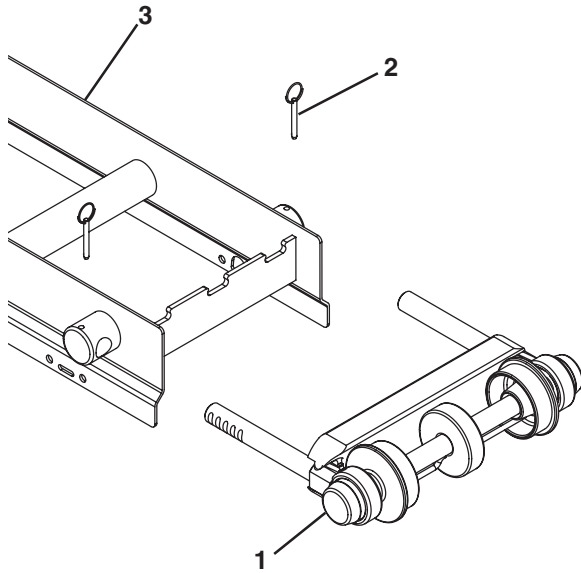


Figure 17

1. Slide the bearing shafts (**Figure 18, item 1**) into the take up blocks (**Figure 18, item 2**).

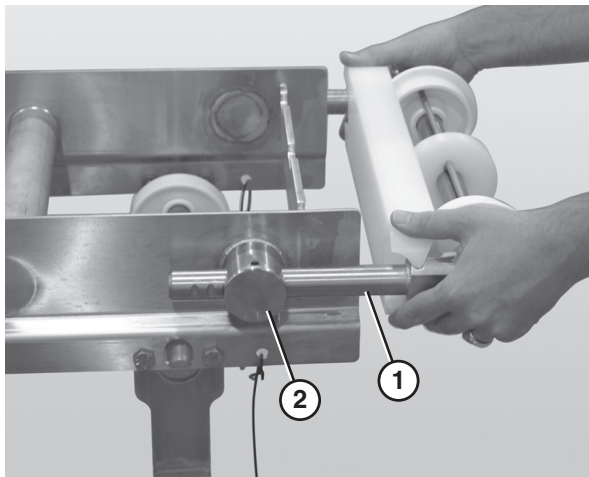


Figure 18

NOTE

Do not insert the pull pins on the tension end of the conveyor until the belt has been installed.

Tip Up Tail

Typical Tip Up Tail Components (**Figure 19**)

- | | |
|---|----------------------|
| 1 | Tip up tail assembly |
| 2 | Pull pin (x2) |
| 3 | Tip up shaft |
| 4 | Key stops (x2) |

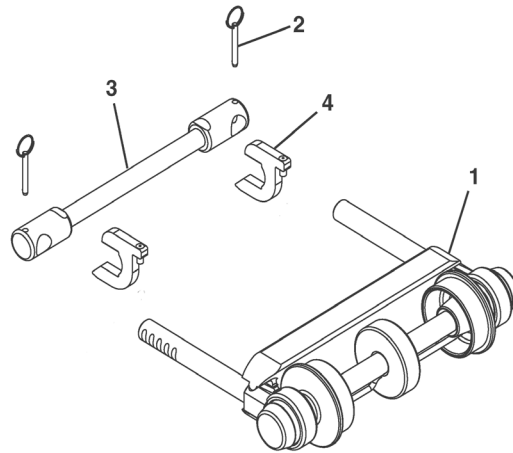


Figure 19

1. Slide the tip up shaft (**Figure 20, item 1**) through the designated slots in the frame.

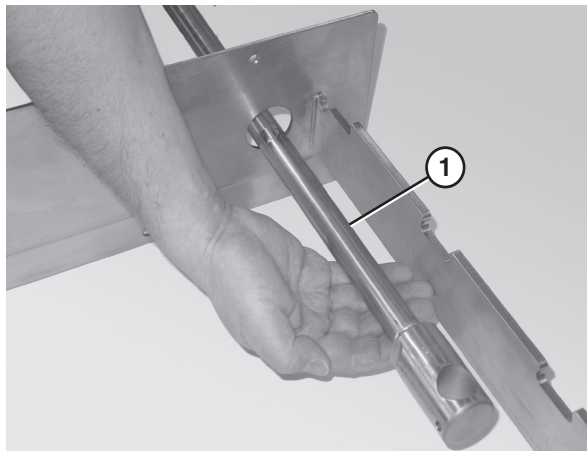


Figure 20

2. Attach the key stops (**Figure 21, item 1**) to the tip up shaft (**Figure 21, item 2**). The rounded end of the key stop should be facing the tail.

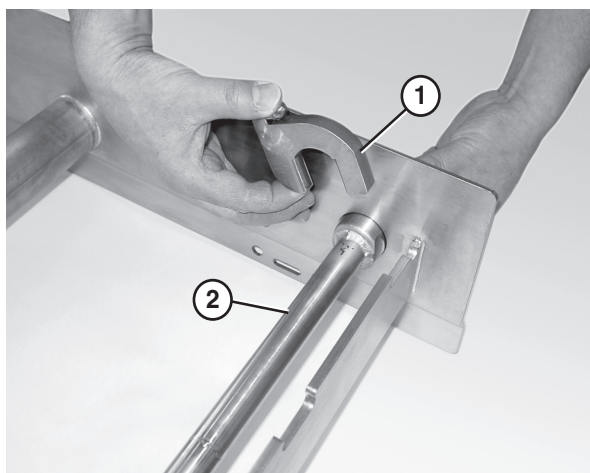


Figure 21

3. Slide the bearing shafts (**Figure 22, item 1**) into the holes in the tip up shaft (**Figure 22, item 2**).

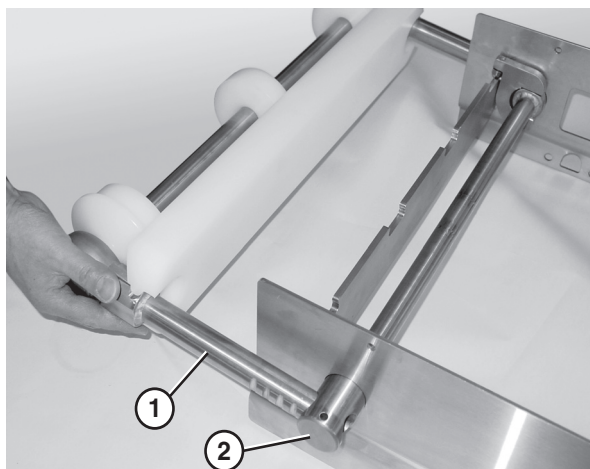


Figure 22

NOTE

Do not insert the pull pins on the tension end of the conveyor until the belt has been installed.

NOTE

*Adjust the acorn nuts (**Figure 19, item 5**) on the key stops (**Figure 19, item 4**) to raise or lower the tip up tail assembly.*

Lifter Installation

Typical Lifter Components (**Figure 23**)

- | | |
|---|--------------------------------------|
| 1 | Belt lift pivot bar |
| 2 | Lifter bars |
| 3 | Belt lift handle |
| 4 | M8 - 1.25 x 16 mm hex head cap screw |

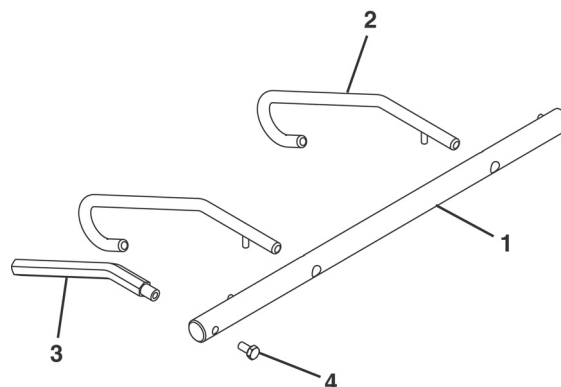


Figure 23

1. Slide the belt lift pivot bar (**Figure 24, item 1**) through the designated holes in the frame.

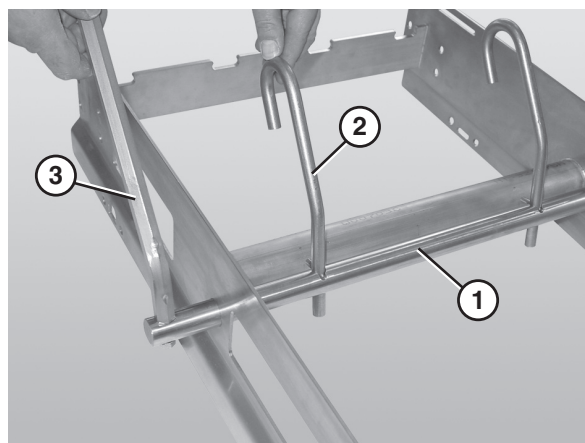


Figure 24

2. Attach the lifter bars (**Figure 24, item 2**) to the belt lift pivot bar (**Figure 24, item 1**). Make sure the hooked ends of the lifter bars are facing down when resting against the frame.
3. Attach the lifter handle (**Figure 24, item 3**) to the belt lift pivot rod.

Installation

Wear Strip Installation

Typical Wear Strip Components (**Figure 25**)

| | |
|---|------------|
| 1 | Wear strip |
|---|------------|

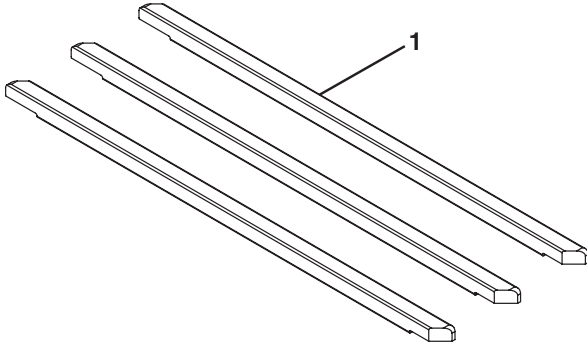


Figure 25

1. Position the wear strips (**Figure 26, item 1**) on the frame.

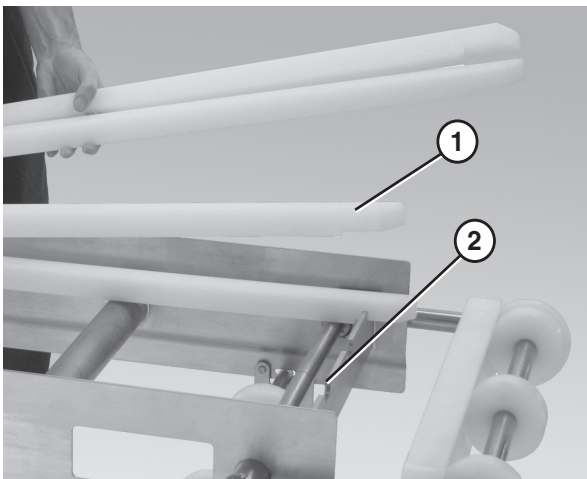


Figure 26

2. Make sure the wear strips are situated securely in the frame slots (**Figure 26, item 2**).

Belt Installation

Typical Belt Components (**Figure 27**)

| | |
|---|------------|
| 1 | Chain belt |
| 2 | Belt rod |

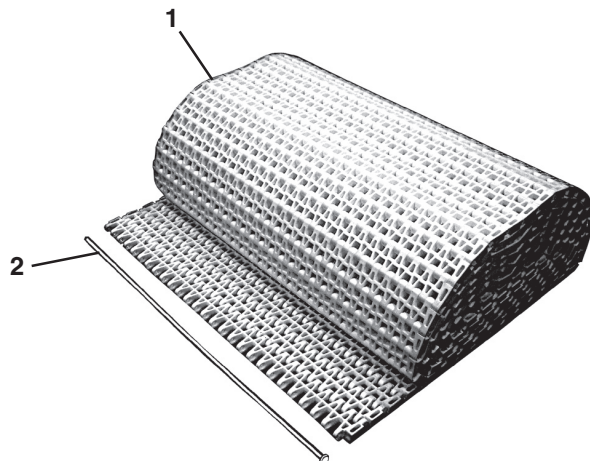


Figure 27

1. Position the belt on the conveyor frame (**Figure 28**).



Figure 28

2. Wrap the belt around the conveyor, making sure the sprocket teeth have engaged the belt.

3. Bring the ends of the belt together (**Figure 29**).



Figure 29

4. Insert the belt rod (**Figure 30**, item 1).

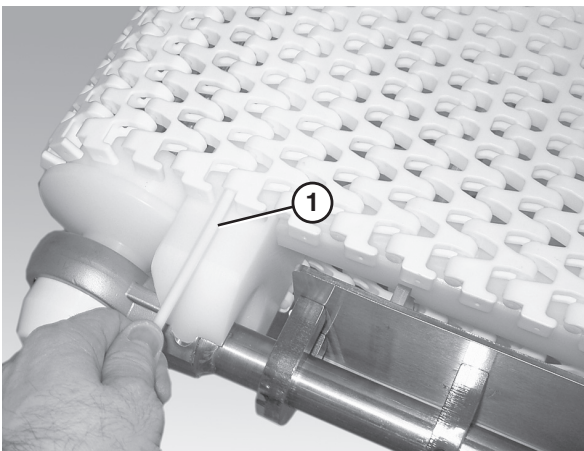


Figure 30

5. Push the belt rod in as far as possible.
6. Lightly tap the head of the rod with a hammer until it snaps into position.
7. Extend the tension end to remove excess slack in the belt (**Figure 31**).

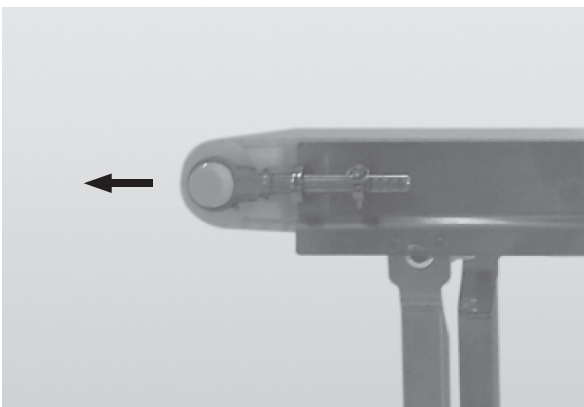


Figure 31

8. Insert the pull pins (**Figure 32**, item 1) on the tension end of the conveyor.

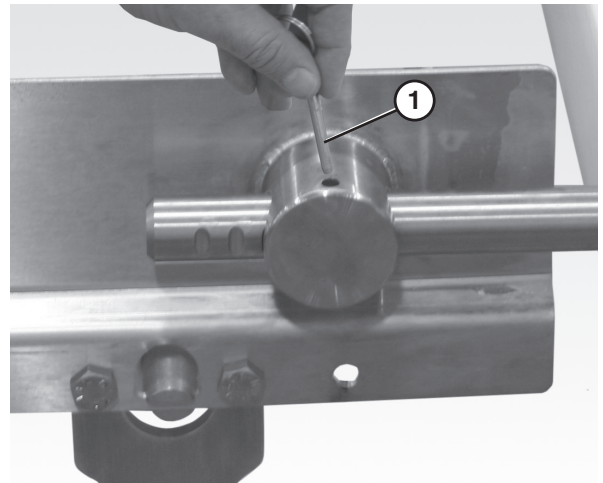


Figure 32

9. If no more travel is available, remove one or more belt links to take up the tension. Refer to “Standard Belts: Replacing a Section of Belt” on page 18.

Belt Return Installation

Typical Belt Return Components (**Figure 33**)

- | | |
|---|-------------------|
| 1 | Return shaft |
| 2 | Chain return shoe |

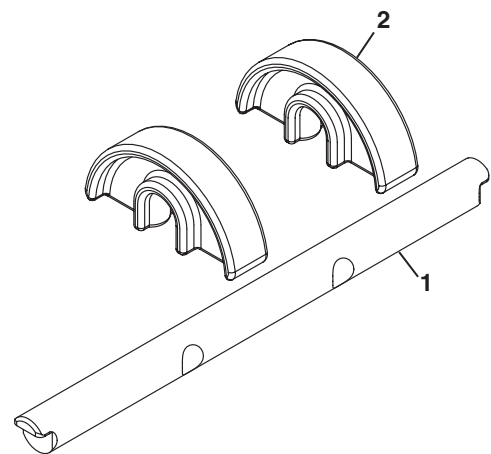


Figure 33

Installation

1. Attach the chain return shoes (Figure 34, item 1) to the return shaft (Figure 34, item 2).

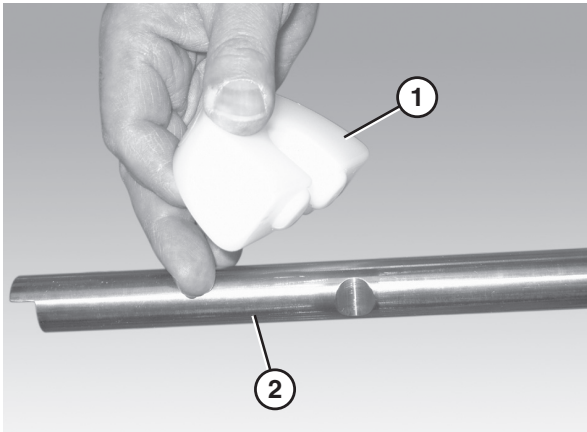


Figure 34

2. Slide the return shaft (Figure 35, item 1) up and through the large slot (Figure 35, item 2) in the frame (picture shown without the belt or wear strips).

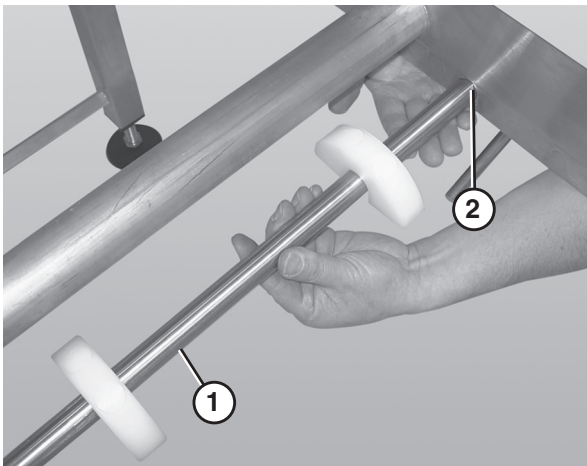


Figure 35

3. Push up on the return shaft (Figure 35, item 1) and slide the notched end of the shaft through the small slot on the opposite side of the frame.

4. Check belt sag by measuring from the top of the return (Figure 36). Belt sag should not exceed 4" (102 mm). Follow steps 7 – 9 in the "Belt Installation" section on page 12 to remove slack from the belt.

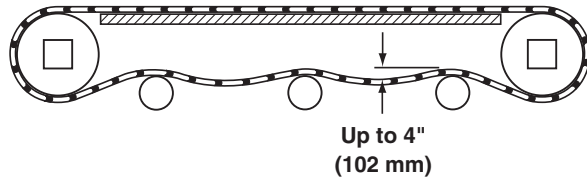


Figure 36

CAUTION

Belt sag should not exceed 4" (102 mm) from the top of the returns.

Conveyors Longer than 10 ft (3048 mm)

Typical Connection Components (Figure 37)

| | |
|---|---------------------------------------|
| 1 | M10 x 1.5 mm hex head cap screws (x4) |
| 2 | Connector hex rods (x2) |
| 3 | Conveyor frames |

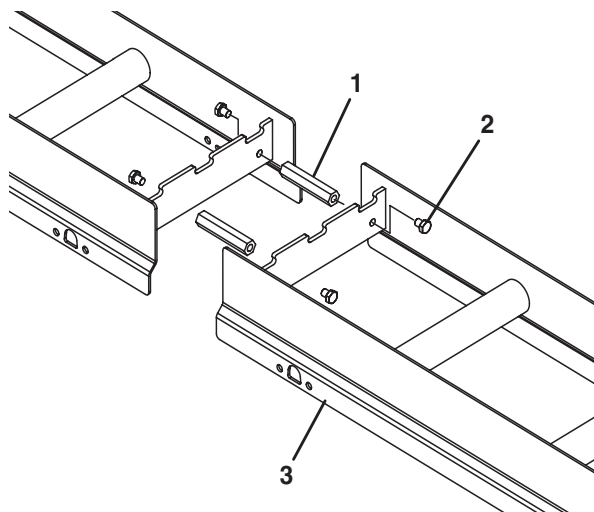


Figure 37

1. Locate the section number sequence etched on each section of frame (Figure 38, item 1)

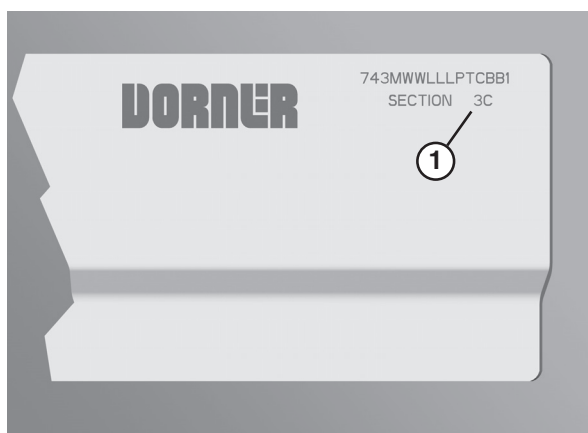


Figure 38

2. Position the frame sections in the correct order.

3. Connect the frame sections by bolting the hex post connectors (Figure 39, item 1) the sections of frame.

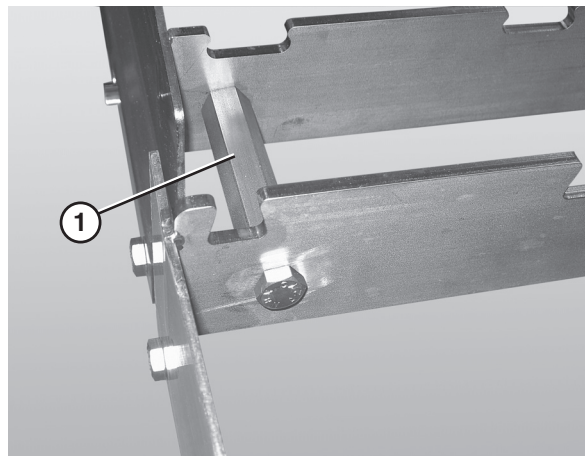


Figure 39

4. Follow the installation process described in "Conveyors up to 10 ft (3048 mm)" starting on page 6.

Preventive Maintenance and Adjustment

Required Tools

- 17 mm wrench (or adjustable wrench)
- 4 mm hex wrench (for bearing shaft assembly fasteners)
- 3 mm hex wrench
- Punch and hammer (to remove belt rod)

Checklist

- Keep service parts on hand. Refer to the "Service Parts" section starting on page 28 for recommendations.
- Replace any worn or damaged parts.

Cleaning

CAUTION

Dorner recommends cleaning all the "food zones" prior to placing conveyor into service. Ensure adequate access is provided for cleaning and servicing equipment so that the required level of hygiene can be maintained.

Routine Cleaning

WARNING



SEVERE HAZARD!

LOCK OUT POWER before removing guards or performing maintenance. Exposed moving parts can cause serious injury.

Dorner recommends cleaning the inside and the outside of the conveyor on a daily basis. Refer to the following steps to access the inside of the conveyor.

Standard Conveyors

1. Remove the guides, if applicable, by removing the pull pins (**Figure 40, item 1**) that connect the guide (**Figure 40, item 2**) to the frame.

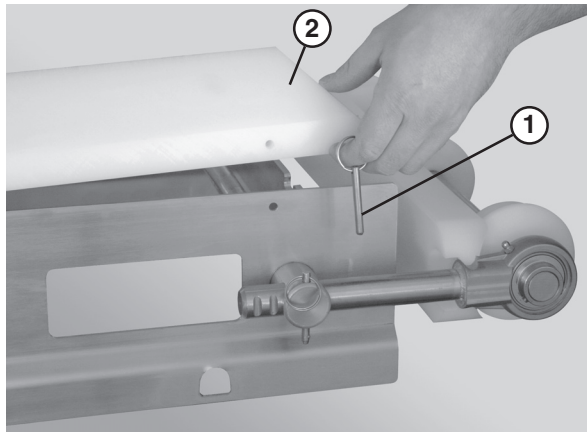


Figure 40

2. Remove the pull pin (**Figure 41, item 1**) on the tension end of the conveyor to release belt tension.

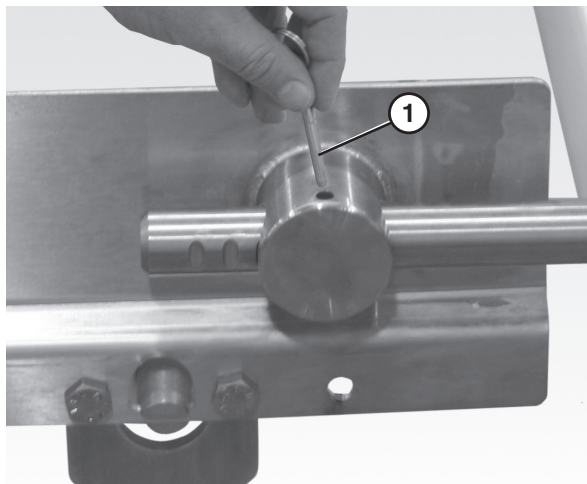


Figure 41

3. Lift up on the belt (**Figure 42**).

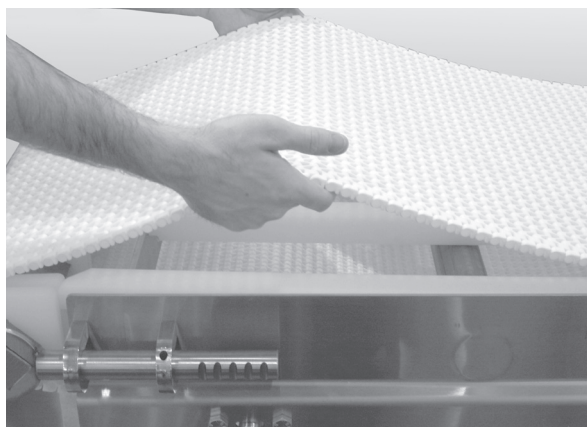


Figure 42

Preventive Maintenance and Adjustment

Conveyors with Tip Up Tails and Lifters

1. Remove the guides, if applicable, by removing the pull pins (**Figure 40, item 1**) that connect the guide (**Figure 40, item 2**) to the frame.
2. Use the lifter handle (**Figure 43, item 1**) to raise the lifters (**Figure 43, item 2**) and raise the tip up tail (**Figure 43, item 3**).

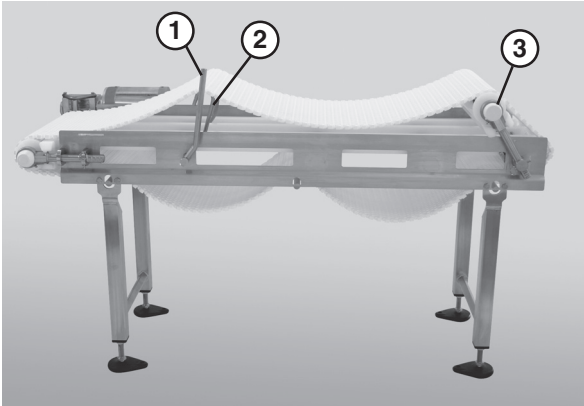


Figure 43

CAUTION

DO NOT submerge or soak bearing assemblies. This will reduce the life of the bearing.

Periodic Cleaning

Dorner recommends complete disassembly of the conveyor periodically for thorough cleaning.

For conveyor disassembly and reassembly instructions:

- Refer to “Conveyor Belt Replacement” on page 18.
- Refer to “Sprocket and Puck Removal” on page 21.
- Refer to “Reassembling Tail Assemblies” on page 24.

Lubrication

Conveyor Bearings

Conveyor bearing lubrication is required. Dorner recommends using an H-1 food grade grease.

NOTE

Although bearings are sealed, re-greasing is recommended to increase bearing life. An H-1 food grade grease is recommended. The frequency of bearing re-greasing is dependent upon the application in which the conveyor is being used. Frequency of re-greasing will increase with the frequency of conveyor washing.

1. Add grease to the bearing using the zerk fitting (**Figure 44, item 1**) on the exterior of the bearing shaft assembly.

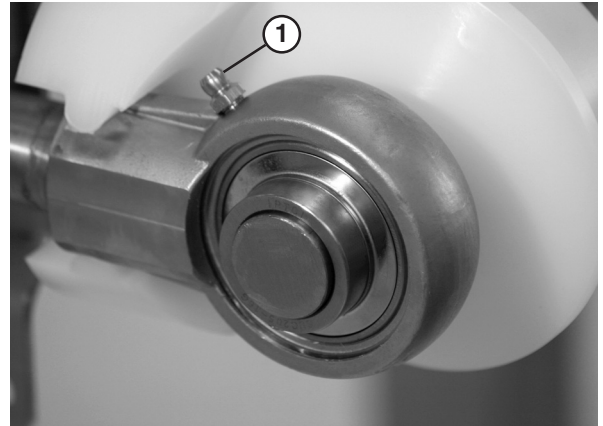


Figure 44

2. Replace the bearings if they become worn.

Wearstrips and Belt Returns

Replace the wearstrips and belt returns if they become worn.

For wearstrip and belt return installation instructions:

- Refer to “Wear Strip Installation” on page 12.
- Refer to “Belt Return Installation” on page 13.

Maintaining the Conveyor Belt

Troubleshooting

NOTE

Visit www.dorner.com for complete list of troubleshooting solutions.

Inspect conveyor belt for:

- Surface cuts or wear
- Skipping

Damage to belt links or rods, surface cuts and / or wear indicate:

- Sharp or heavy parts impacting belt
- Jammed parts
- Accumulated dirt
- Foreign material inside the conveyor
- Improperly positioned accessories

Skipping indicates:

- Excessive load on belt
- Worn sprockets or impacted dirt on drive pulley

Preventive Maintenance and Adjustment

Damage to belt links or rods indicate:

- Excessive load on belt
- Dirt impacted on sprockets
- Excessive or improper side loading
- Improperly positioned accessories

Conveyor Belt Replacement

WARNING



SEVERE HAZARD!

LOCK OUT POWER before removing guards or performing maintenance. Exposed moving parts can cause serious injury.

Conveyors with Guides

1. Remove the pull pins (**Figure 45, item 1**) that connect the guide (**Figure 45, item 2**) to the frame.

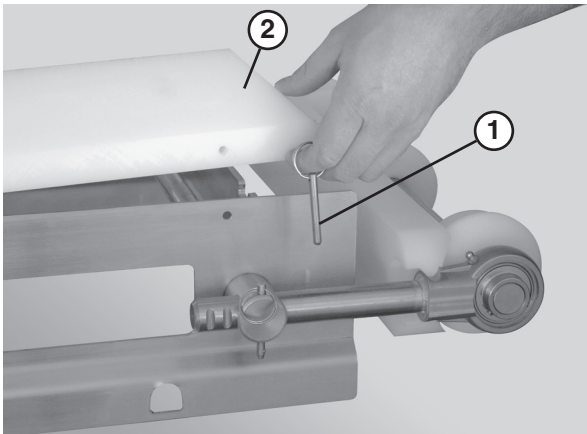


Figure 45

2. Remove the guide (**Figure 46, item 1**).

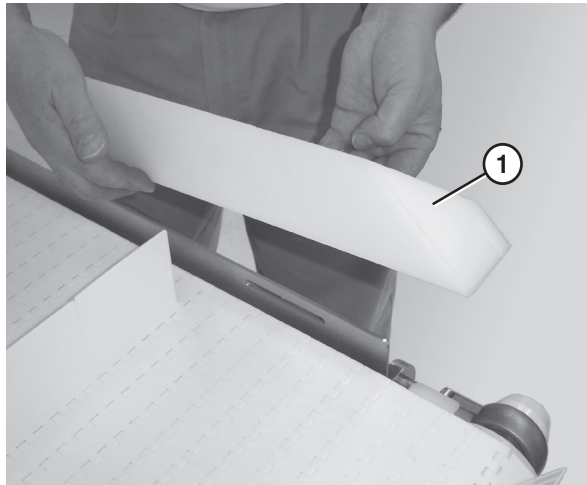


Figure 46

3. Follow the belt replacement procedures described in “Standard Belts” on page 18 or “Specialty Intralox 1100 Series Belts” on page 19.

Standard Belts

Replacing a Section of Belt

1. Remove the pull pins (**Figure 47, item 1**) on the tension end of the conveyor to release tension on the belt.

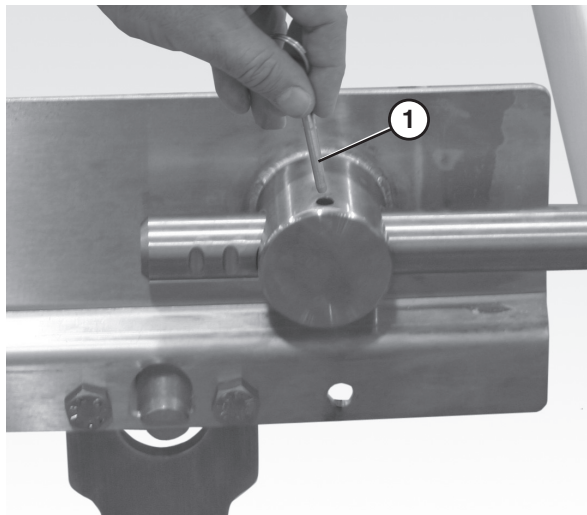


Figure 47

Preventive Maintenance and Adjustment

CAUTION

Secure the retaining head side of the belt prior to removing a belt rod in order to prevent damaging the belt.

2. Secure the retaining head (**Figure 48, item 1**) side of the belt by bracing it against the flanged puck (**Figure 48, item 2**).

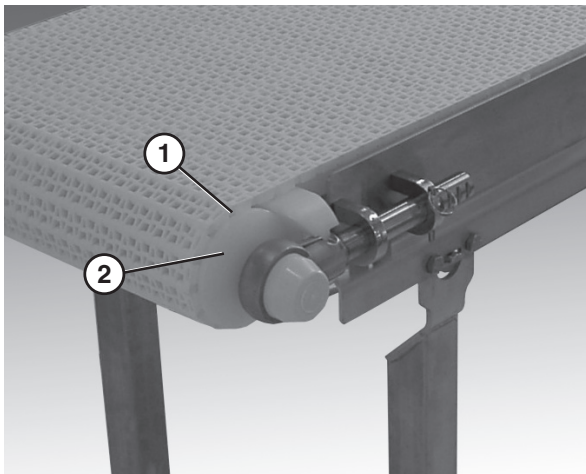


Figure 48

3. Use a punch and hammer to push the belt rod out by striking the rod end opposite the retaining head (**Figure 49**).

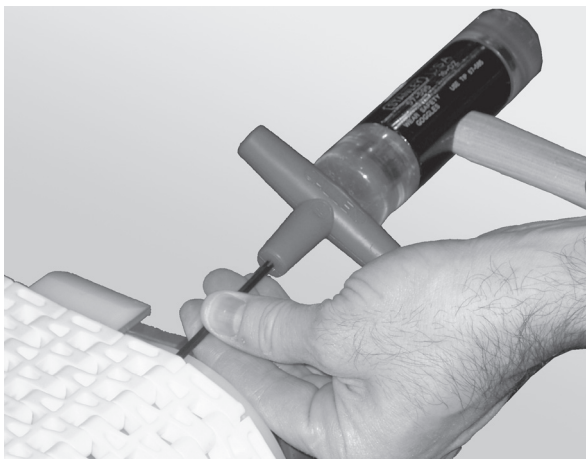


Figure 49

4. Remove the belt rods on both sides of the section of belt being replaced.
5. Replace the old section with a new section of belt.

CAUTION

DO NOT reuse belt rods that are damaged or show signs of wear.

Replacing the Entire Belt

1. Remove the belt returns by pushing up on the return shaft (**Figure 50, item 1**) and sliding it through the large hole (**Figure 50, item 2**) in the frame.

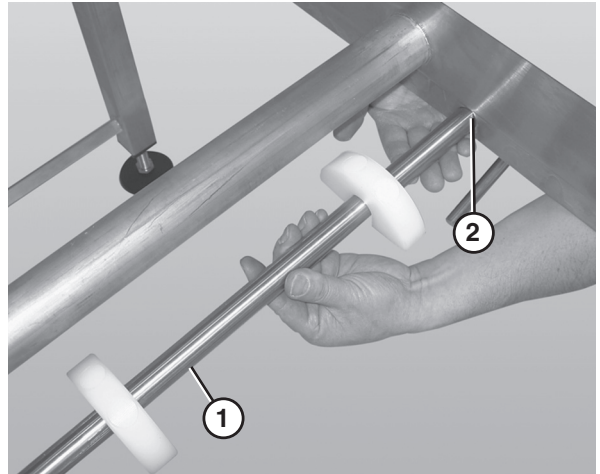


Figure 50

2. Lower the opposite end of the return shaft (**Figure 50, item 1**) and slide it out of the frame.
3. Follow steps 1 – 3 in "Standard Belts: Replacing a Section of Belt" on page 18.
4. Remove the belt.
5. Replace the damaged or worn belt. Refer to "Belt Installation" on page 12 and "Belt Return Installation" on page 13.

Specialty Intralox 1100 Series Belts

Replacing a Section of Belt

1. Place the edge of a flat head screwdriver between the two belt links and turn clockwise (**Figure 51**).

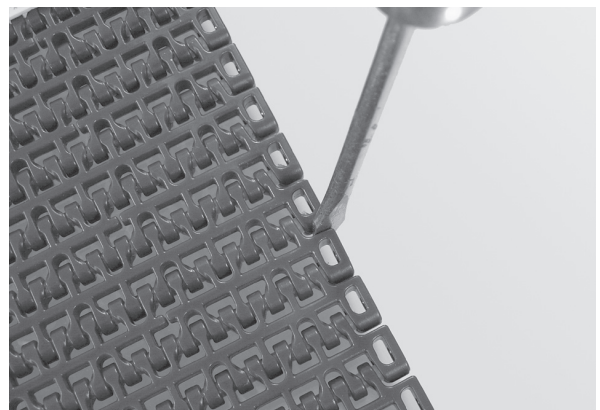


Figure 51

Preventive Maintenance and Adjustment

2. Use a second belt rod of the same size to push on the opposite end of the belt rod. (Figure 52).

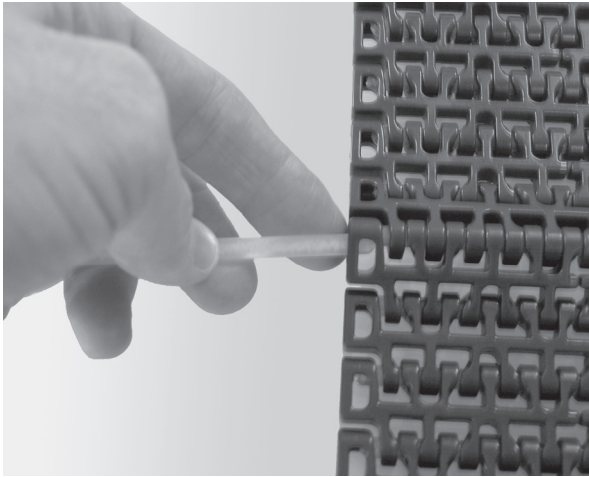


Figure 52

3. Remove the belt rods on both sides of the section of belt being replaced.
4. Replace the old section with a new section of belt.

CAUTION

DO NOT reuse belt rods that are damaged or show signs of wear.

Replacing the Entire Belt

1. Remove the belt returns.
2. Follow steps 1 – 2 in "Specialty Intralox 1100 Series Belts: Replacing a Section of Belt" on page 19.
3. Remove the belt.
4. Replace the damaged or worn belt. Refer to "Belt Installation" on page 12 and "Belt Return Installation" on page 13.

Conveyor Belt Tensioning

WARNING



SEVERE HAZARD!

LOCK OUT POWER before removing guards or performing maintenance. Exposed moving parts can cause serious injury.

CAUTION

Belt sag should not exceed 4" (102 mm) from the top of the returns.

1. Remove both pull pins (Figure 53, item 1) on the tension end of the conveyor.

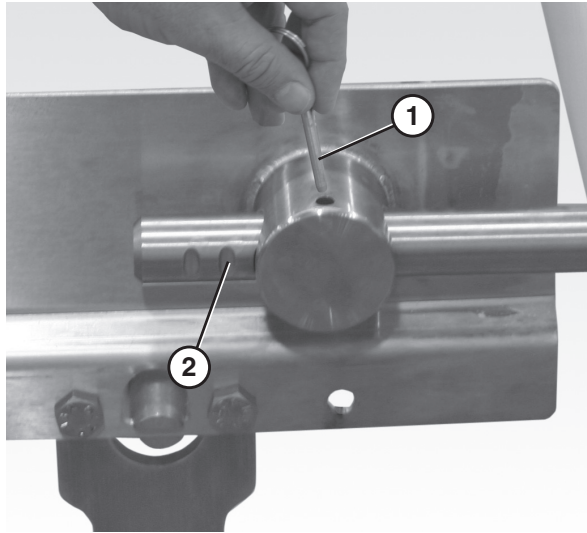


Figure 53

2. Extend the idler tail to the next groove (Figure 53, item 2) on the bearing shaft.
3. Continue extending the tension end until the belt is sufficiently tight (Figure 54).

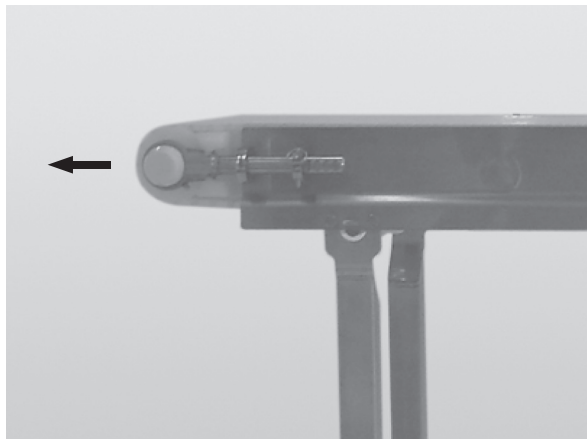



Figure 54

4. Reinsert the pull pins.
5. If no more travel is available, remove one or more belt links to take up the tension. Refer to "Replacing a Section of Belt" on page 18.

Preventive Maintenance and Adjustment

Sprocket and Puck Removal

| |
|---|
| WARNING |
|  |
| SEVERE HAZARD! LOCK OUT POWER before removing guards or performing maintenance. Exposed moving parts can cause serious injury. |

1. Remove the conveyor belt to access the sprockets / pucks. Refer to “Conveyor Belt Replacement” starting on page 16.
2. Remove the desired sprocket / puck by following these instructions:
 - A - Drive Sprocket Removal
 - B - Nose Bar Puck Removal
 - B - Idler Puck Removal

A - Drive Sprocket Removal

| |
|--|
| WARNING |
|  |
| PUNCTURE HAZARD! Handle drive shaft keyway with care. It may be sharp and could puncture the skin, causing serious injury. |

1. Loosen the fasteners (**Figure 55, item 1**) that connect the gearmotor to the drive spindle using a hex wrench (**Figure 55, item 2**).

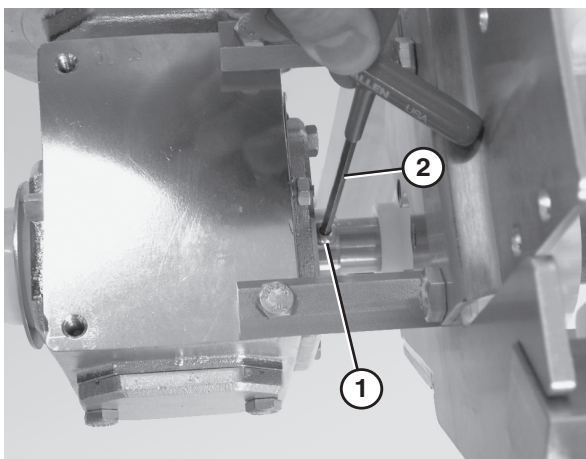


Figure 55

2. Remove the bolts that connect the motor to the drive assembly (**Figure 56**).
3. Remove the motor (**Figure 56, item 1**) from the drive assembly (**Figure 56, item 2**).

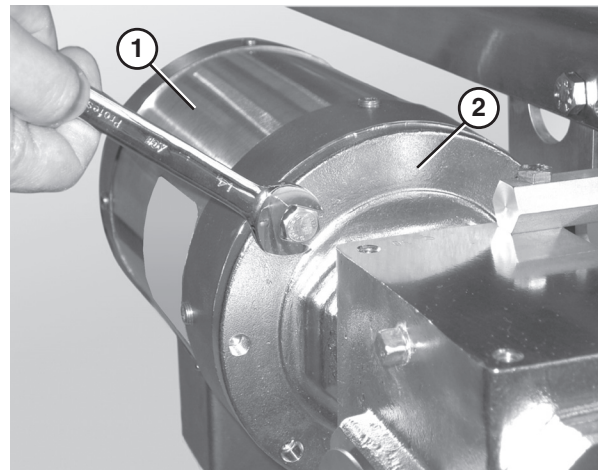


Figure 56

4. Unbolt the drive assembly and slide it off the bearing spindle (**Figure 57**).

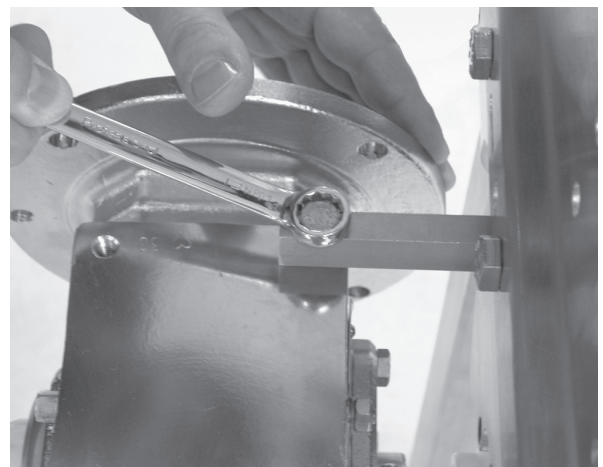


Figure 57

5. Remove the bearing cover.

Preventive Maintenance and Adjustment

- Loosen the 3 hole flange (**Figure 58, item 1**) with bearing fasteners using a hex wrench (**Figure 58, item 2**).

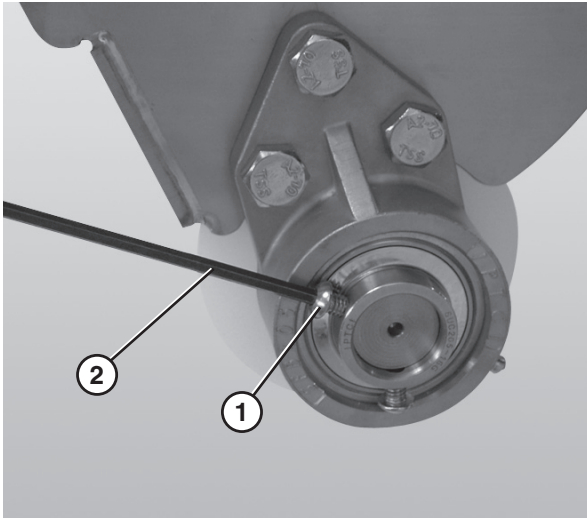


Figure 58

- Disconnect the 3 hole flange bearing (**Figure 59, item 1**) from the nose bar drive weldment (**Figure 59, item 2**).

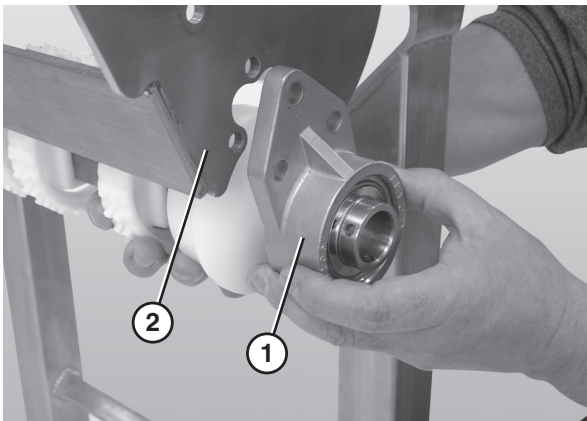


Figure 59

- Lower the entire drive assembly.
- Slide the 3 hole flange with bearing (**Figure 60, item 1**) and flanged puck (**Figure 60, item 2**) off the drive spindle.

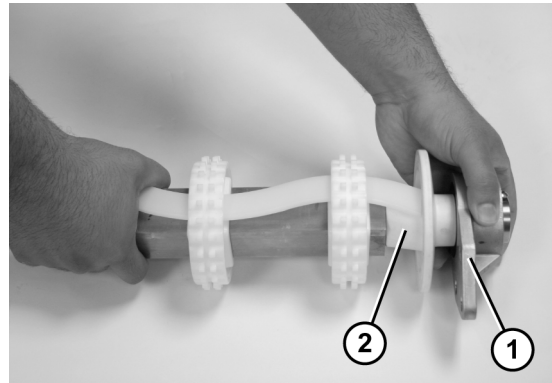


Figure 60

- Slide the sprockets (**Figure 61, item 1**) and the sprocket alignment bar (**Figure 61, item 2**) off the drive spindle (**Figure 61, item 3**).

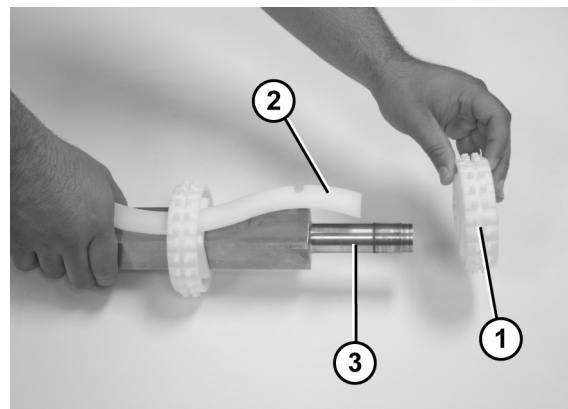


Figure 61

B - Nose Bar Puck Removal

- Slide the nose bar drive or transfer post (**Figure 62, item 1**) out of the nose bar drive weldment or idler hands (**Figure 62, item 2**).

Preventive Maintenance and Adjustment

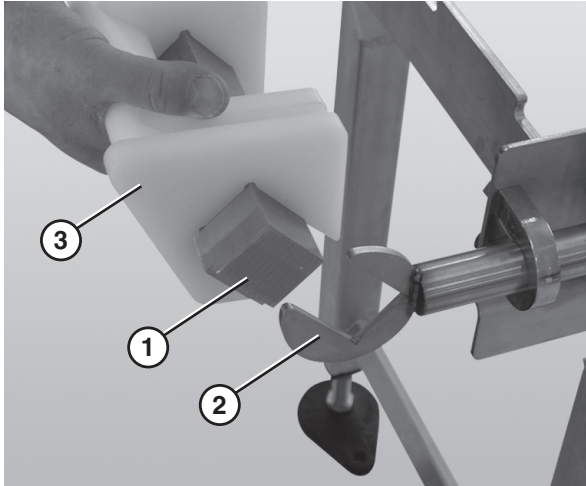


Figure 62

2. Remove the nose bar tracking pucks (**Figure 62, item 3**), if applicable.
3. Remove the nose bar wear strip (**Figure 63, item 3**).

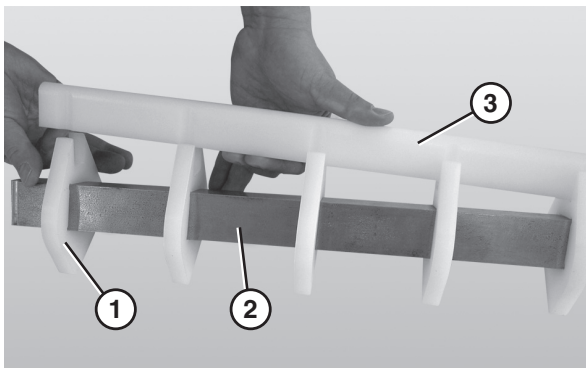


Figure 63

4. Slide the nose bar pucks (**Figure 63, item 1**) off the nose bar shaft (**Figure 63, item 2**).

C - Idler Puck Removal

1. Remove the pull pins (**Figure 64, item 1**).

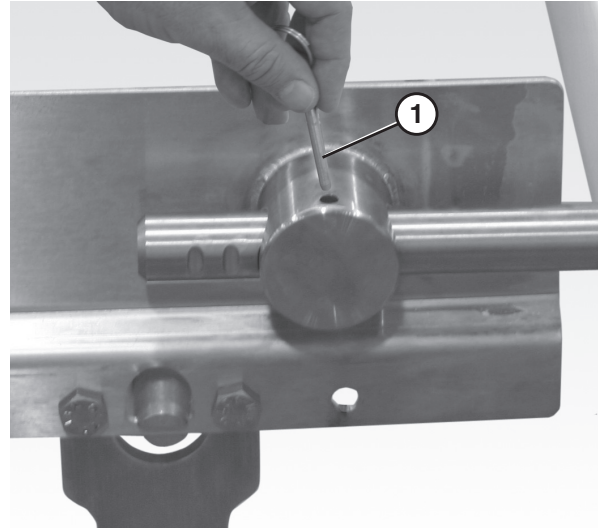


Figure 64

2. Slide the idler tail assembly (**Figure 65, item 1**) out of the take up blocks (**Figure 65, item 2**).

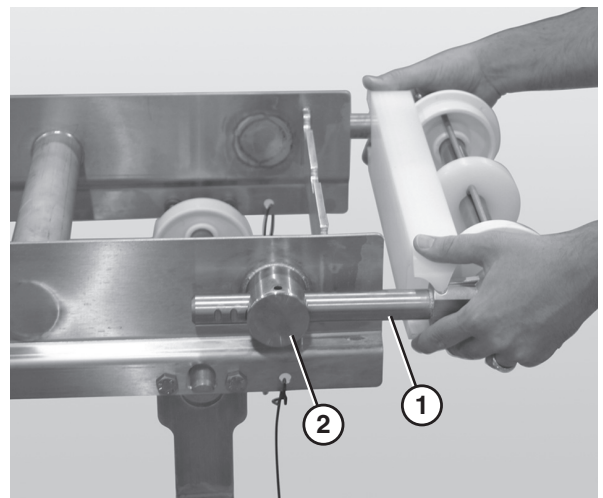


Figure 65

3. Remove the bearing cover (**Figure 66, item 1**).

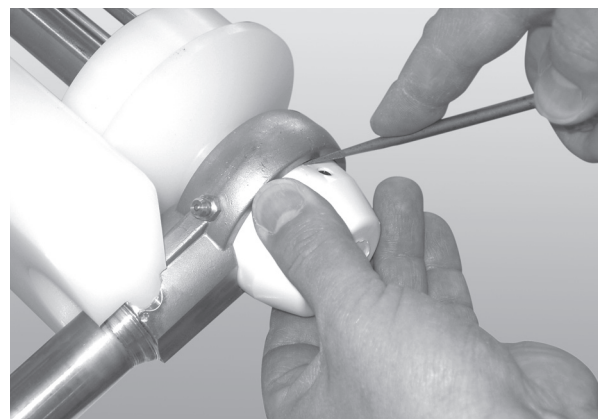


Figure 66

Preventive Maintenance and Adjustment

4. Use a hex wrench (**Figure 67, item 1**) to loosen the bearing shaft assembly fasteners (**Figure 67, item 2**).

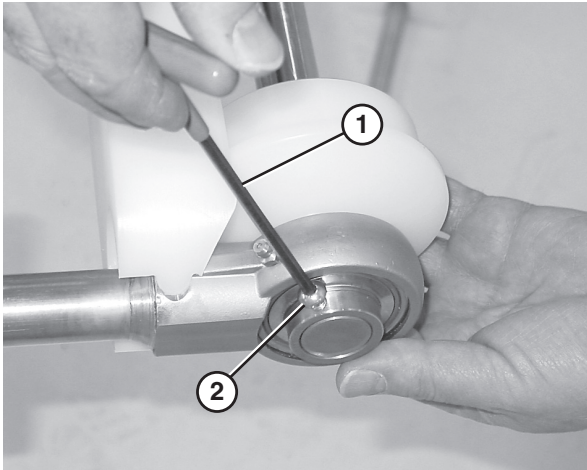


Figure 67

5. Slide the bearing shaft assembly (**Figure 68, item 2**) off the idler shaft.

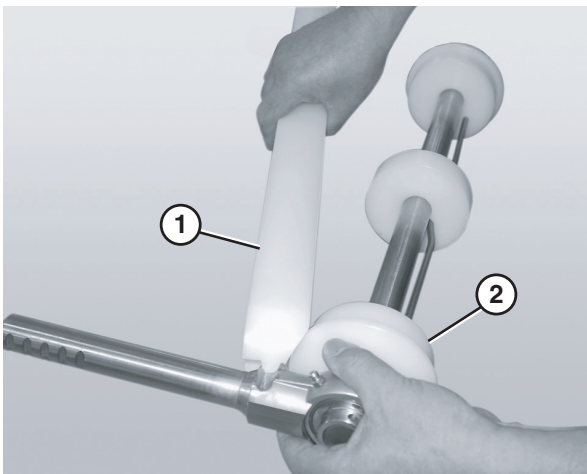


Figure 68

6. Remove the guard bar (**Figure 68, item 3**).
7. Slide the pucks (**Figure 68, item 1**) off the idler shaft.

Reassembling Tail Assemblies

Refer to the "Service Parts" section starting on page 28 for complete diagrams and lists of all tail assembly components.

Nose Bar Drive Tail

Nose Bar Assembly

1. Slide the nose bar pucks (**Figure 69, item 1**) onto the nose bar drive post (**Figure 69, item 2**).

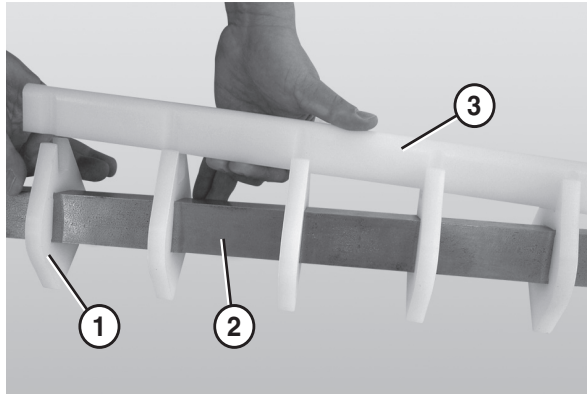


Figure 69

2. Attach the nose bar wear strip (**Figure 69, item 3**).

Preventive Maintenance and Adjustment

Drive Tail Assembly

1. Slide the first sprocket (**Figure 70, item 1**) onto the drive spindle (**Figure 70, item 2**).

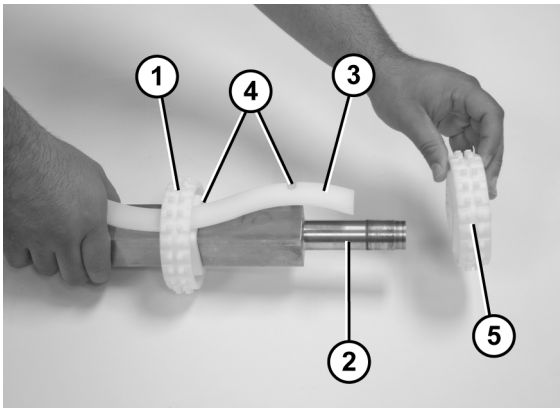


Figure 70

2. Insert the sprocket alignment bar (**Figure 70, item 3**) into the first sprocket and align the sprocket with the notch (**Figure 70, item 4**) in the sprocket alignment bar.
3. Slide the remaining sprockets (**Figure 70, item 5**) onto drive spindle and align each sprocket with the notches (**Figure 70, item 4**) in the sprocket alignment bar.
4. Attach the flanged pucks (**Figure 71, item 1**) and the 3 hole flange with bearing (**Figure 71, item 2**) to the drive spindle.

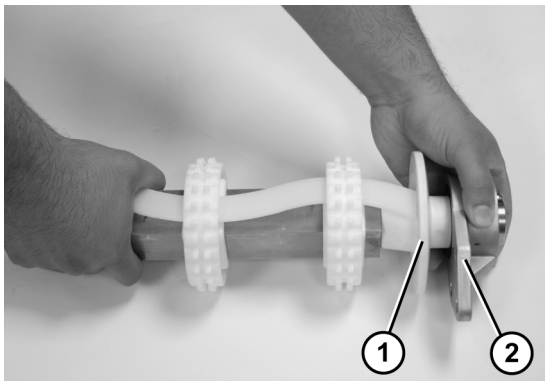


Figure 71

5. Tighten the 3 hole flange with bearing fasteners (**Figure 72, item 1**) using a hex wrench (**Figure 72, item 2**) to 54 in•lbs. Check after 24 hours of conveyor use.

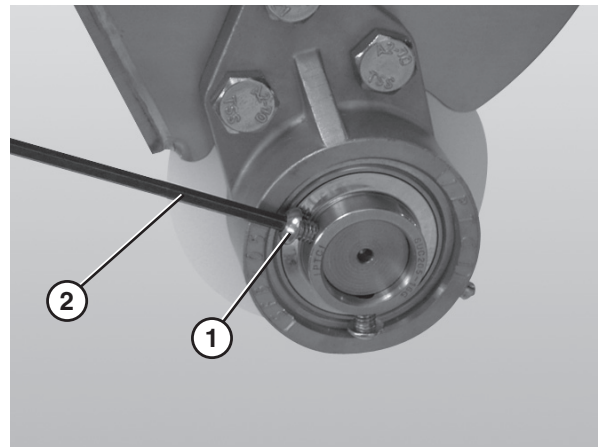


Figure 72

Nose Bar Idler and Tip Up Tail

1. Slide the nose bar pucks (**Figure 69, item 1**) onto the nose bar drive post (**Figure 69, item 2**).

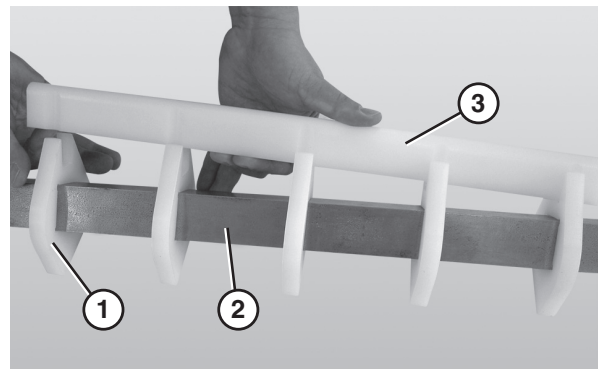


Figure 73

2. Attach the nose bar wear strip (**Figure 69, item 3**).

Preventive Maintenance and Adjustment

3. Attach the nose bar tracking pucks (Figure 74, item 1) to the nose bar drive post (Figure 74, item 2).

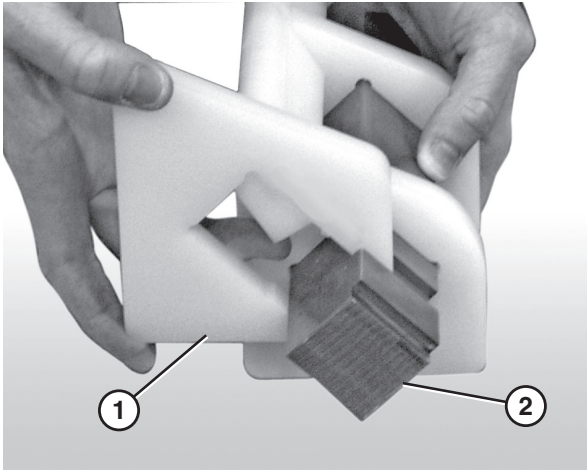


Figure 74

Idler Tail and Tip Up Tail

1. Place the idler puck (Figure 75, item 1) at the center of the bent retaining bar (Figure 75, item 2).
2. Slide the idler puck onto the idler shaft (Figure 75, item 3). Make sure to center the idler puck.

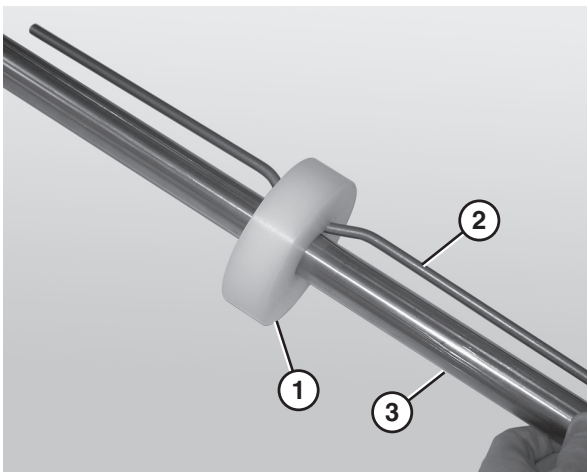


Figure 75

3. Attach the flanged pucks (Figure 76, item 2) and bearing shaft assemblies to the idler shaft.
4. Attach the guard bar (Figure 76, item 1).

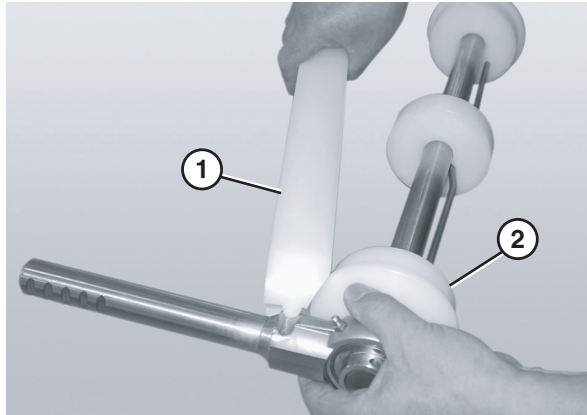


Figure 76

5. Use a hex wrench (Figure 77, item 1) to tighten the bearing shaft fasteners (Figure 77, item 2) to 54 in•lbs. Check after 24 hours of conveyor use.

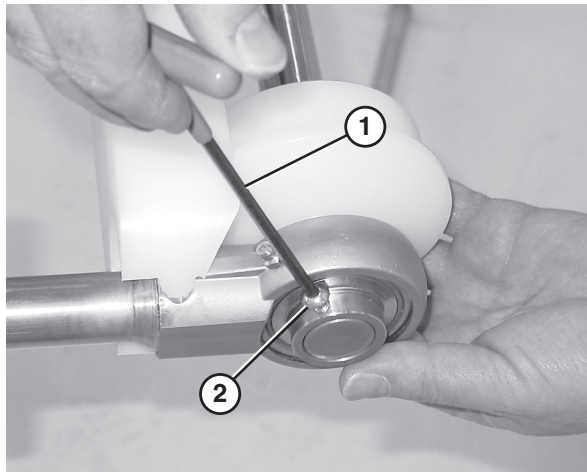


Figure 77

6. Attach the bearing covers.

Bearing Replacement

1. Secure the bearing shaft in the take up blocks.
2. Insert the rod end of a second bearing shaft through the bearing (**Figure 78**).

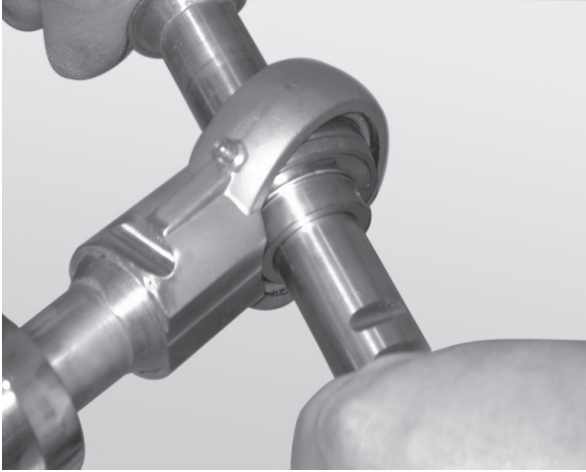


Figure 78

3. Apply lateral pressure to the rod until the bearing comes loose.
4. Remove the worn or damaged bearing (**Figure 79**).

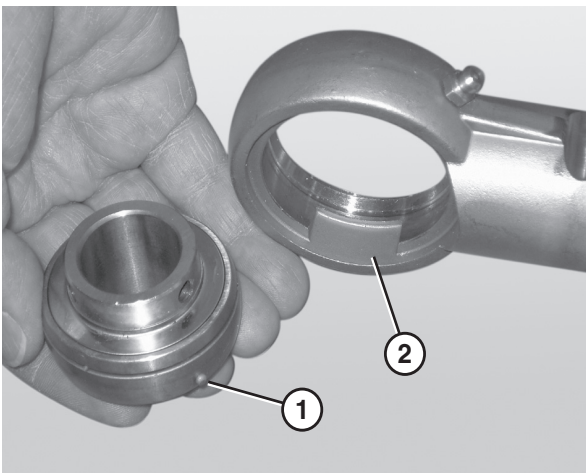



Figure 79

5. Replace the bearing.

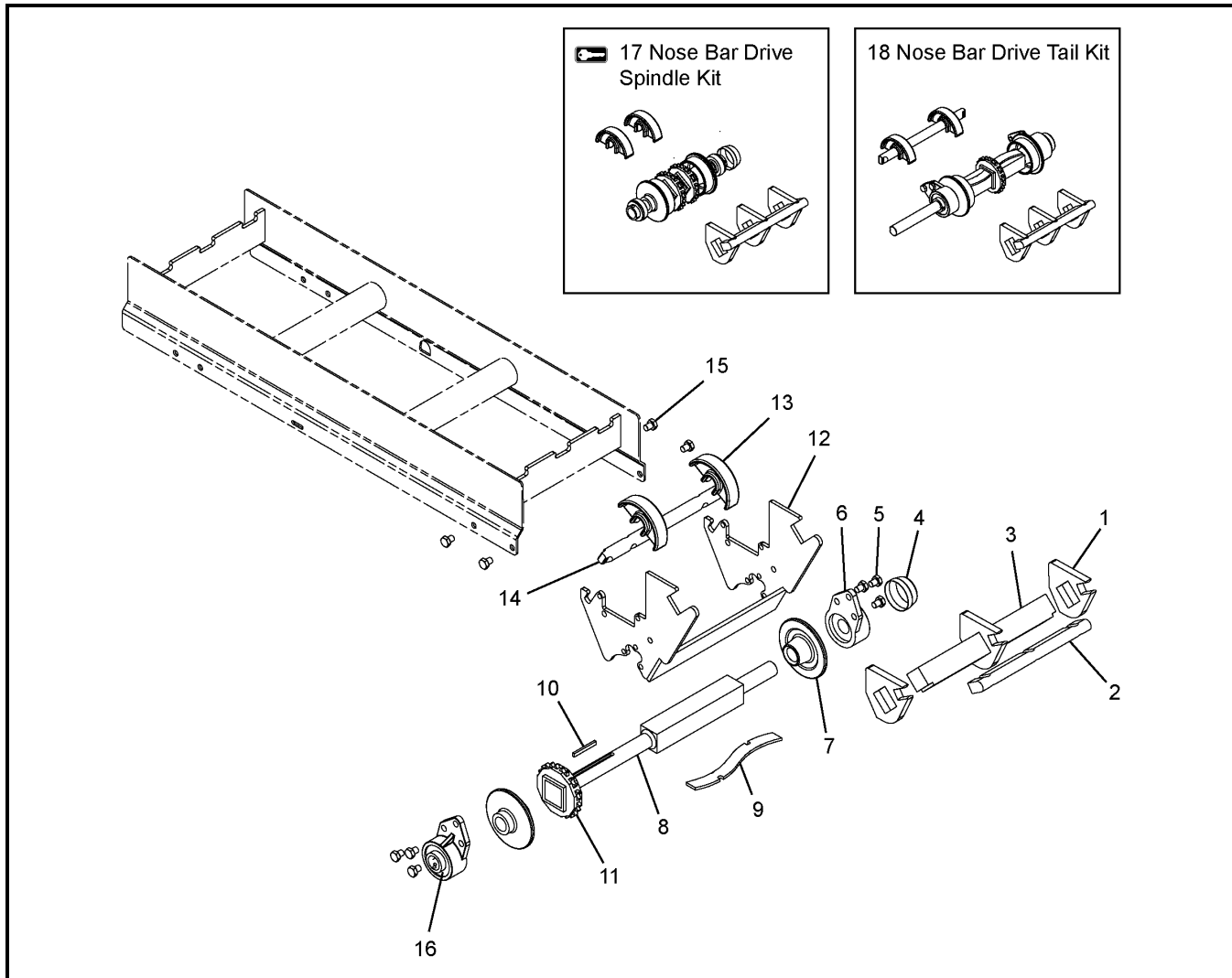
| NOTE |
|--|
| <i>When inserting the new bearing, make sure the anti-rotation notch (Figure 79, item 1) on the bearing lines up with the groove inside the housing (Figure 79, item 2).</i> |

Service Parts

NOTE

For replacement parts other than those shown in this section, contact an authorized *Dorner Service Center* or the factory. Key Service Parts and Kits are identified by the Performance Parts Kits logo . Dorner recommends keeping these parts on hand.

Nose Bar Drive End Components



| Item | Part Number | Description |
|------|-------------|---|
| 1 | 500278 | Nose Bar Puck |
| 2 | 5055WW | .5" Pitch Nose Bar Wear Strip |
| | 5057WW | 1" Pitch Nose Bar Wear Strip |
| 3 | 5038WW | Nose Bar Drive Post |
| 4 | 807-1454 | Cover |
| 5 | 961016MSS | Hex Head Cap Screw M10-1.5x16mm |
| 6 | 802-163 | 3 Hole Flange with Bearing |
| 7 | 5017WW | Flange Puck for Standard Belt |
| | 5071WW | Flange Puck for Specialty Intralox Belt |

| Item | Part Number | Description |
|------|-------------|--|
| 8 | 5015WW | Drive Spindle for Standard Belt |
| | 5070WW | Drive Spindle for Specialty Intralox Belt |
| 9 | 5086WW | Sprocket Alignment Bar for Standard .50" Pitch Belt |
| | 5085WW | Sprocket Alignment Bar for Standard 1.00" Pitch Belt |
| | 5087WW | Sprocket Alignment Bar for Specialty Intralox .60" Pitch Belt |
| | 5088WW | Sprocket Alignment Bar for Specialty Intralox 1.00" Pitch Belt |
| 10 | 912-111SS | Square Key .25" x 2.50" |

Service Parts

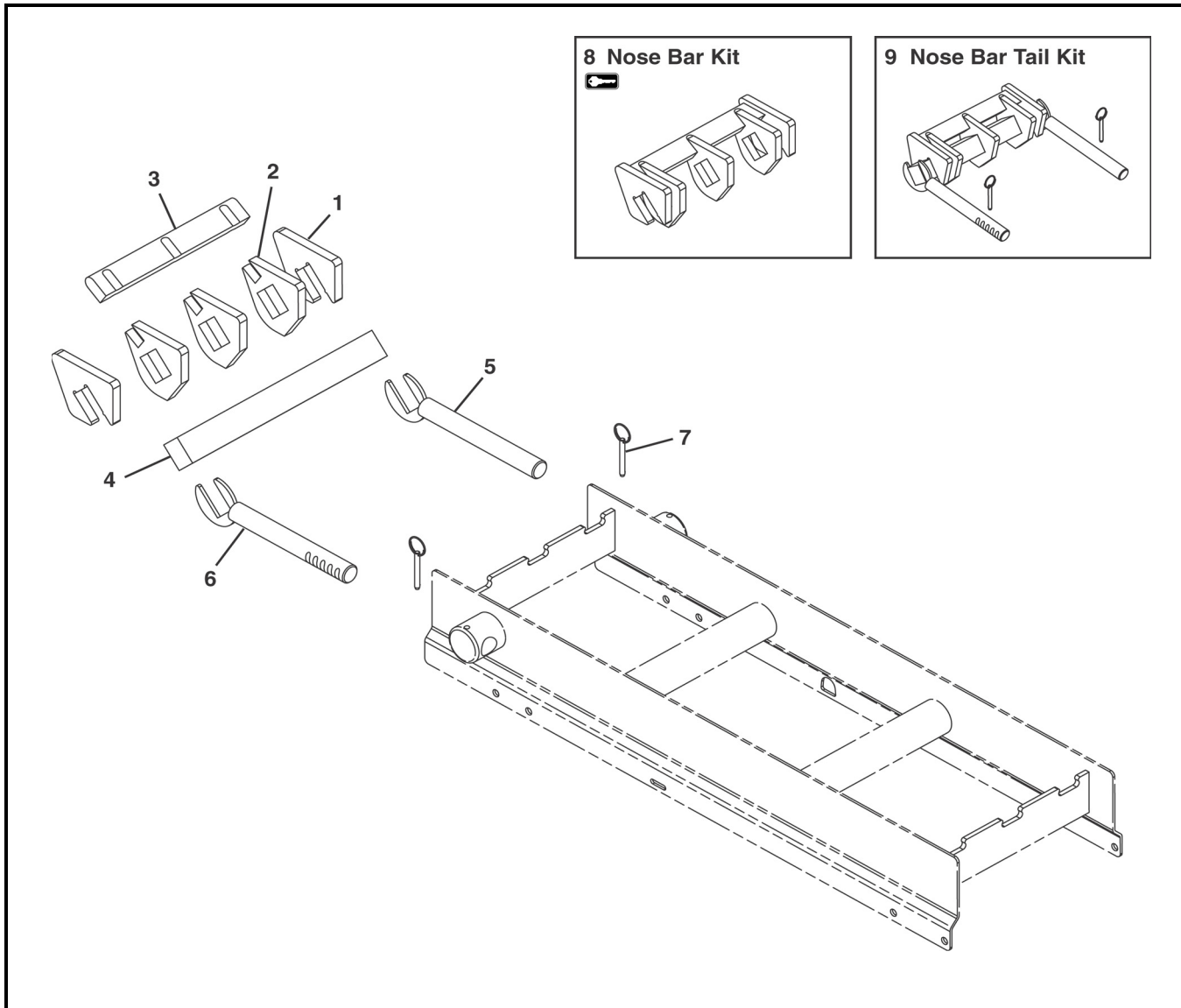
| Item | Part Number | Description |
|------|--------------|--|
| 11 | 807-1443 | Sprocket for Standard .50" Pitch Belt |
| | 807-1444 | Sprocket for Standard 1.00" Pitch Belt |
| | 807-1446 | Sprocket for Specialty Intralox .60" Pitch Belt |
| | 807-1445 | Sprocket for Specialty Intralox 1.00" Pitch Belt |
| 12 | 5060WW | Nose Bar Drive Weldment |
| 13 | 500075 | Chain Return |
| 14 | 5032WW | Return Shaft |
| 15 | 961012MSS | Hex Head Cap Screw M10-1.5x12mm |
| 16 | 802-162 | Bearing |
| 17 | 74NBD12-WW | Nose Bar Drive Spindle Kit for Standard .50" Pitch Belt (Includes Items 1, 2, 4, 7, 11, 13 and 16) |
| | 74NBD25-WW | Nose Bar Drive Spindle Kit for Standard 1.00" Pitch Belt (Includes Items 1, 2, 4, 7, 11, 13 and 16) |
| | 74NBD11-WW | Nose Bar Drive Spindle Kit for Specialty Intralox .60" Pitch Belt (Includes Items 1, 2, 4, 7, 11, 13 and 16) |
| | 74NBD16-WW | Nose Bar Drive Spindle Kit for Specialty Intralox 1.00" Pitch Belt (Includes Items 1, 2, 4, 7, 11, 13 and 16) |
| 18 | 74NBDDT12-WW | Nose Bar Drive Tail Kit when Conveyor is ordered with a Dorner Gearmotor Mounting Package for Standard .50" Pitch Belt (Includes Items 1, 2, 4 through 11, 13 and 14) |
| | 74NBDDT25-WW | Nose Bar Drive Tail Kit when Conveyor is ordered with a Dorner Gearmotor Mounting Package for Standard 1.00" Pitch Belt (Includes Items 1, 2, 4 through 11, 13 and 14) |
| | 74NBDDT11-WW | Nose Bar Drive Tail Kit when Conveyor is ordered with a Dorner Gearmotor Mounting Package for Specialty Intralox .60" Pitch Belt (Includes Items 1, 2, 4 through 11, 13 and 14) |
| | 74NBDDT16-WW | Nose Bar Drive Tail Kit when Conveyor is ordered with a Dorner Gearmotor Mounting Package for Specialty Intralox 1.00" Pitch Belt (Includes Items 1, 2, 4 through 11, 13 and 16) |
| | 74NBCDT12-WW | Nose Bar Drive Tail Kit for Standard .50" Pitch Belt (Includes Items 1, 2, 4 through 11, 13 and 14) |
| | 74NBCDT25-WW | Nose Bar Drive Tail Kit for Standard 1.00" Pitch Belt (Includes Items 1, 2, 4 through 11, 13 and 14) |
| | 74NBCDT11-WW | Nose Bar Drive Tail Kit for Specialty Intralox .60" Pitch Belt (Includes Items 1, 2, 4 through 11, 13 and 14) |

| Item | Part Number | Description |
|---|--------------|--|
| | 74NBCDT16-WW | Nose Bar Drive Tail Kit for Specialty Intralox 1.00" Pitch Belt (Includes Items 1, 2, 4 through 11, 13 and 14) |
| WW = Conveyor width ref: 06 - 60 in 02 increments | | |

| Sprocket Quantity (Item 11) | |
|-----------------------------|-------------------|
| Width | Sprocket Quantity |
| 6" (152 mm) | 2 |
| 8" (203 mm) | 2 |
| 10" (254 mm) | 3 |
| 12" (305 mm) | 3 |
| 14" (356 mm) | 4 |
| 16" (406 mm) | 4 |
| 18" (457 mm) | 5 |
| 20" (508 mm) | 5 |
| 22" (559 mm) | 6 |
| 24" (610 mm) | 6 |
| 26" (660 mm) | 7 |
| 28" (711 mm) | 7 |
| 30" (762 mm) | 8 |
| 32" (813 mm) | 8 |
| 34" (864 mm) | 9 |
| 36" (914 mm) | 9 |
| 38" (965 mm) | 10 |
| 40" (1016 mm) | 10 |
| 42" (1067 mm) | 11 |
| 44" (1118 mm) | 11 |
| 46" (1168 mm) | 12 |
| 48" (1219 mm) | 12 |
| 50" (1270 mm) | 13 |
| 52" (1321 mm) | 13 |
| 54" (1372 mm) | 14 |
| 56" (1422 mm) | 14 |
| 58" (1473 mm) | 15 |
| 60" (1524 mm) | 15 |

Service Parts

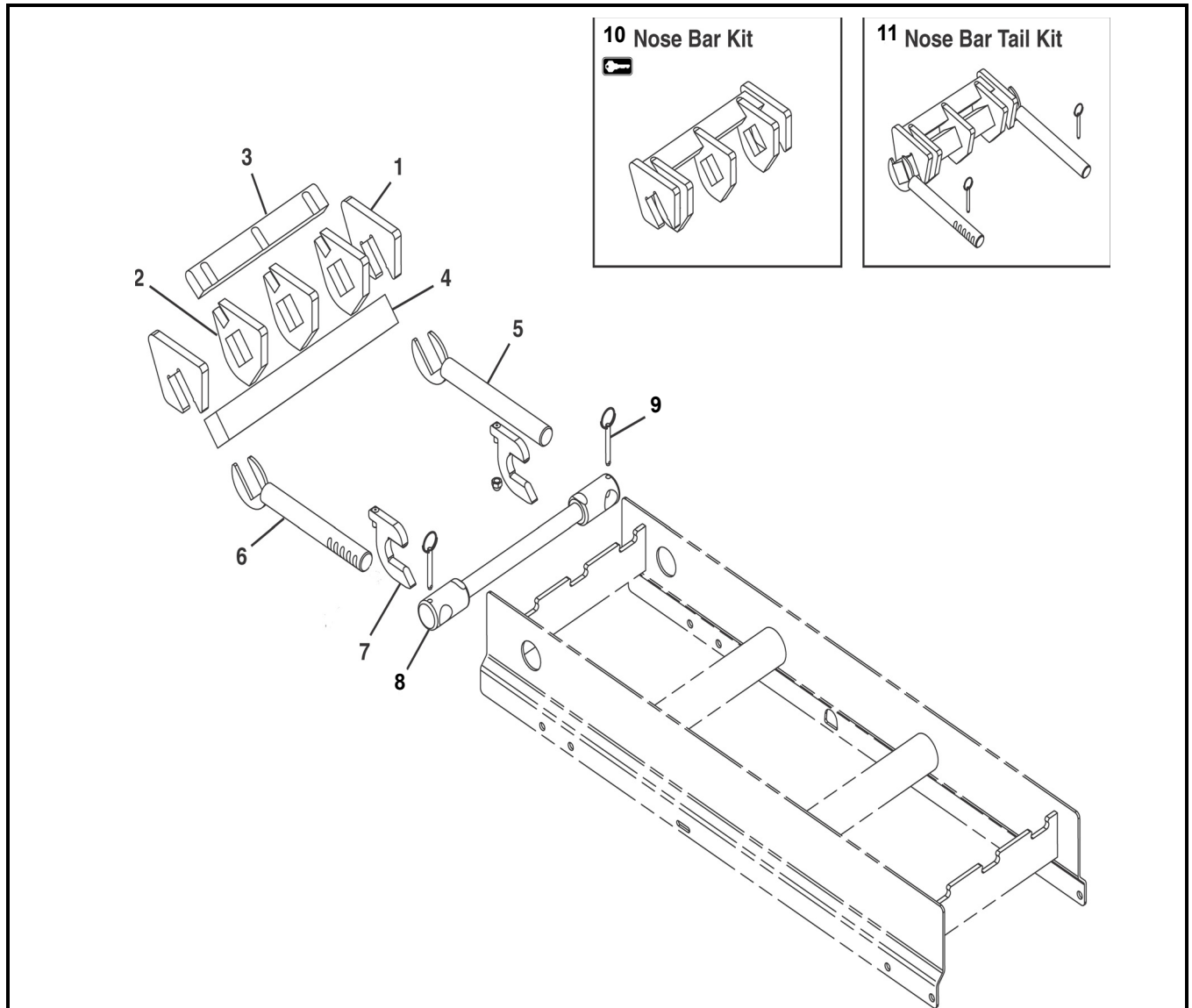
Nose Bar Tension End



| Item | Part Number | Description |
|------|-------------|--|
| 1 | 500490 | Nose Bar Tracking Puck |
| 2 | 500278 | Nose Bar Puck |
| 3 | 5056WW | .5" Pitch Nose Bar Wear Strip |
| | 5058WW | 1" Pitch Nose Bar Wear Strip |
| 4 | 5037WW | Nose Bar Transfer Post for Standard Belt |
| | 5076WW | Nose Bar Transfer Post for Specialty Intralox Belt |
| 5 | 500487 | Nose Bar Idler Shaft Left Hand |
| 6 | 500488 | Nose Bar Idler Shaft Right Hand |
| 7 | 807-1469 | Pull Pin |
| 8 | 74NB5-WW | .5" Nose Bar Kit (Includes Items 1 through 3) |
| | 74NB1-WW | 1" Nose Bar Kit (Includes Items 1 through 3) |

| Item | Part Number | Description |
|---|-------------|--|
| 9 | 74NBT5-WW | .5" Nose Bar Tail Kit for Standard Belt (Includes Items 1 through 6) |
| | 74NBT1-WW | 1" Nose Bar Tail Kit For Standard Belt (Includes Items 1 through 6) |
| | 74NBT5S-WW | .5" Nose Bar Tail Kit for Specialty Intralox Belt (Includes Items 1 through 6) |
| | 74NBT1S-WW | 1" Nose Bar Tail Kit For Specialty Intralox Belt (Includes Items 1 through 6) |
| WW = Conveyor width ref: 06 - 60 in 02 increments | | |

Nose Bar Tip Up Tension End



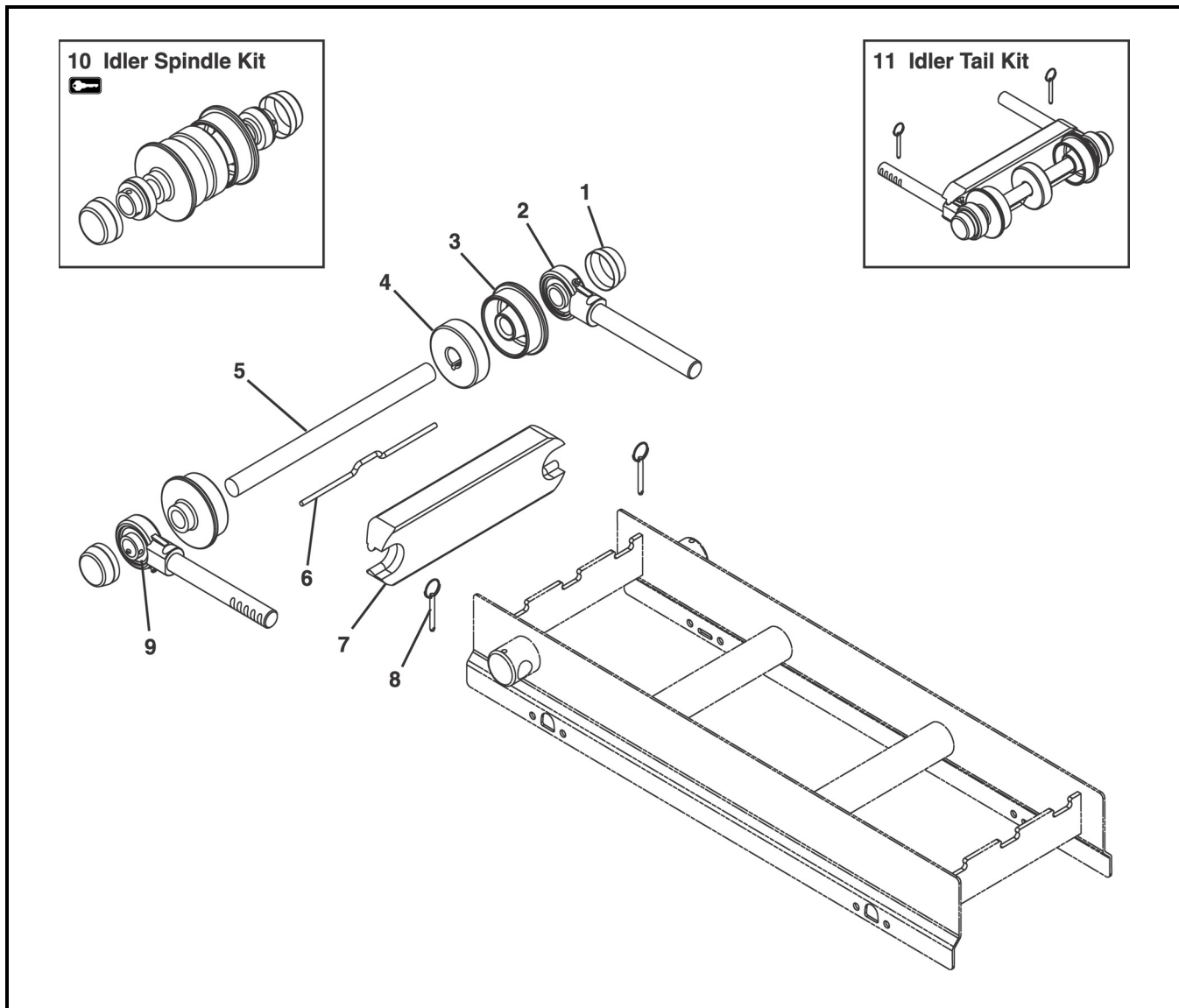
| Item | Part Number | Description |
|------|-------------|--|
| 1 | 500490 | Nose Bar Tracking Puck |
| 2 | 500278 | Nose Bar Puck |
| 3 | 5056WW | .5" Pitch Nose Bar Wear Strip |
| | 5058WW | 1" Pitch Nose Bar Wear Strip |
| 4 | 5037WW | Nose Bar Transfer Post for Standard Belt |
| | 5076WW | Nose Bar Transfer Post for Specialty Intralox Belt |
| 5 | 500487 | Nose Bar Idler Shaft Left Hand |
| 6 | 500488 | Nose Bar Idler Shaft Right Hand |
| 7 | 500675 | Key Stop |
| 8 | 5005WW | Tip Up Shaft Assembly |

| Item | Part Number | Description |
|------|-------------|--|
| 9 | 807-1469 | Pull Pin |
| 10 | 74NB5-WWW | .5" Nose Bar Kit (Includes Items 1 through 3) |
| | 74NB1-WWW | 1" Nose Bar Kit (Includes Items 1 through 3) |
| 11 | 74NBT5-WWW | .5" Nose Bar Tail Kit for Standard Belt (Includes Items 1 through 6) |
| | 74NBT1-WWW | 1" Nose Bar Tail Kit For Standard Belt (Includes Items 1 through 6) |
| | 74NBT5S-WWW | .5" Nose Bar Tail Kit for Specialty Intralox Belt (Includes Items 1 through 6 and 9) |
| | 74NBT1S-WWW | 1" Nose Bar Tail Kit For Specialty Intralox Belt (Includes Items 1 through 6 and 9) |

WW = Conveyor width ref: 06 - 60 in 02 increments

Service Parts

Tension End Components

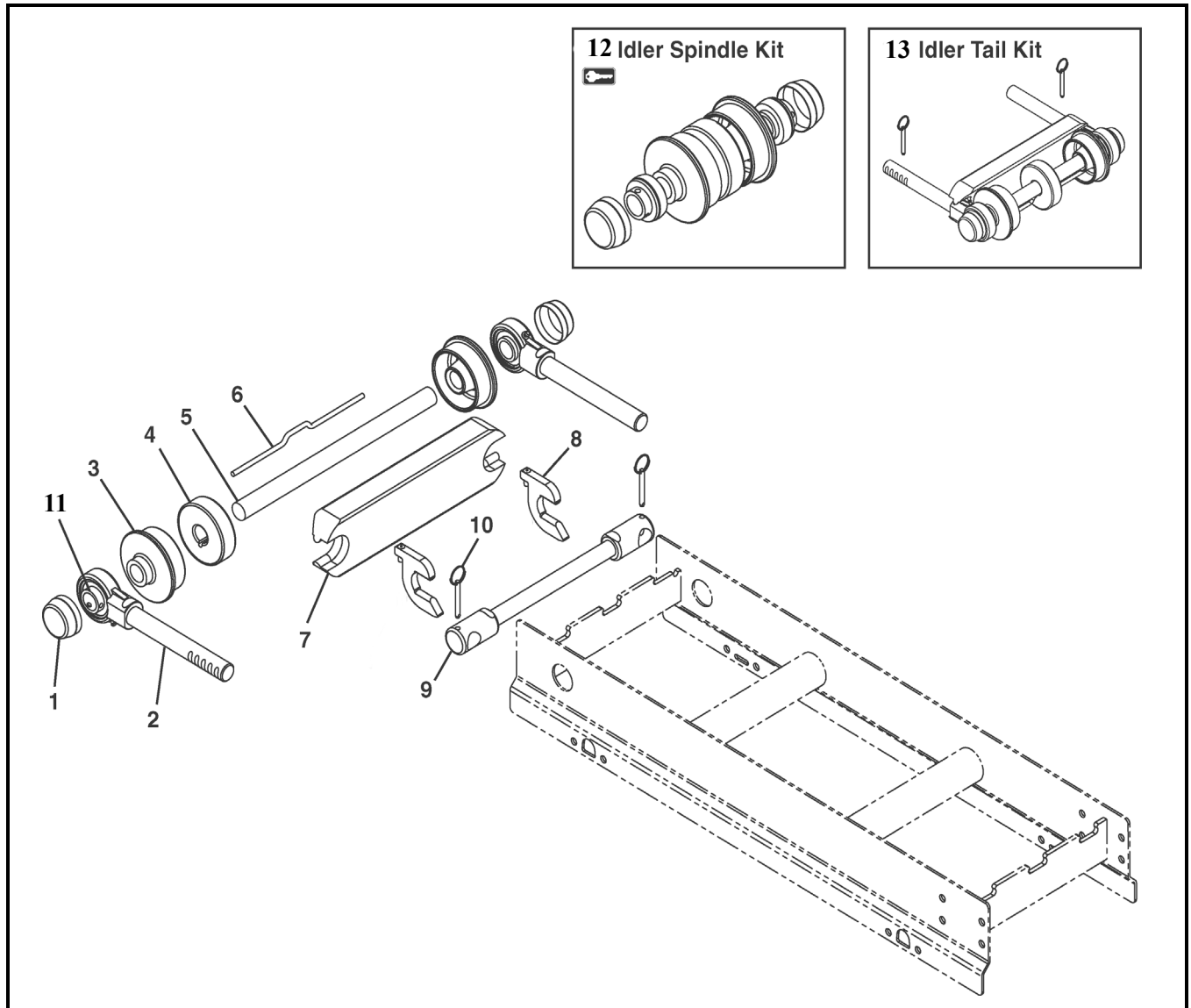


| Item | Part Number | Description |
|------|-------------|---|
| 1 | 807-1454 | Bearing Cover |
| 2 | 500079 | Shaft Assembly with Bearing |
| 3 | 5017WW | Flanged Puck, Idler Tail for Standard Belt |
| | 5072WW | Flanged Puck, Idler Tail for Specialty Intralox Belt |
| 4 | 500175 | Idler Puck (for 8" - 60" wide conveyors only) |
| 5 | 5007WW | Idler Shaft |
| 6 | 5008WW | Bent Retaining Bar for Standard Belt (for 8" - 60" wide conveyors only) |
| | 5073WW | Bent Retaining Bar for Specialty Intralox Belt (for 8" - 60" wide conveyors only) |

| Item | Part Number | Description |
|------|-------------|--|
| 7 | 5009WW | Guard Bar |
| 8 | 807-1469 | Pull Pin |
| 9 | 802-162 | Bearing |
| 10 | 74I-WW | Idler Spindle Kit for Standard Belt (Includes Items 1, 3, 4 and 9) |
| | 74IS-WW | Idler Spindle Kit for Specialty Intralox Belt (Includes Items 1, 3, 4 and 9) |
| 11 | 74IT-WW | Idler Tail Kit for Standard Belt (Includes Items 1 through 8) |
| | 74ITS-WW | Idler Tail Kit for Specialty Intralox Belt (Includes Items 1 through 8) |

WW = Conveyor width ref: 06 - 60 in 02 increments

Tip Up Tension End

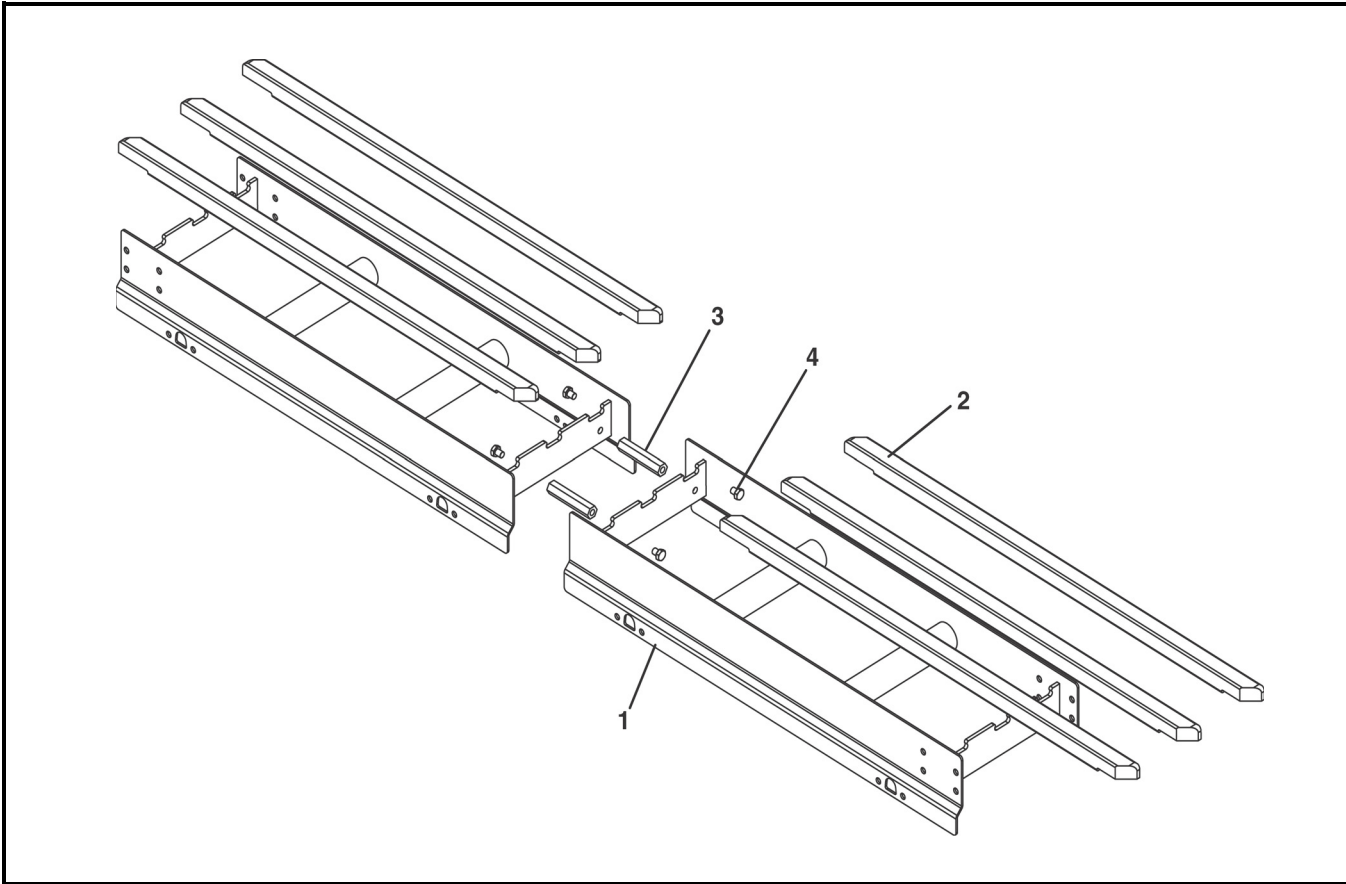


| Item | Part Number | Description |
|------|-------------|---|
| 1 | 807-1454 | Bearing Cover |
| 2 | 500079 | Shaft Assembly with Bearing |
| 3 | 5017WW | Flanged Puck, Idler Tail for Standard Belt |
| | 5072WW | Flanged Puck, Idler Tail for Specialty Intralox Belt |
| 4 | 500175 | Idler Puck (for 8" - 60" wide conveyors only) |
| 5 | 5007WW | Idler Shaft |
| 6 | 5008WW | Bent Retaining Bar for Standard Belt (for 8" - 60" wide conveyors only) |
| | 5073WW | Bent Retaining Bar for Specialty Intralox Belt (for 8" - 60" wide conveyors only) |
| 7 | 5009WW | Guard Bar |

| Item | Part Number | Description |
|------|-------------|--|
| 8 | 500675 | Key Stop |
| 9 | 5005WW | Tip Up Shaft Assembly |
| 10 | 807-1469 | Pull Pin |
| 11 | 802-162 | Bearing |
| | | |
| 12 | 74I-WW | Idler Spindle Kit for Standard Belt (Includes Items 1, 3, 4 and 11) |
| | 74IS-WW | Idler Spindle Kit for Specialty Intralox Belt (Includes Items 1, 3, 4 and 11) |
| 13 | 74IT-WW | Idler Tail Kit for Standard Belt (Includes Items 1 through 7 and 10) |
| | 74ITS-WW | Idler Tail Kit for Specialty Intralox Belt (Includes Items 1 through 7 and 10) |
| | | WW = Conveyor width ref: 06 - 60 in 02 increments |

Service Parts

Conveyor Frame and Extension



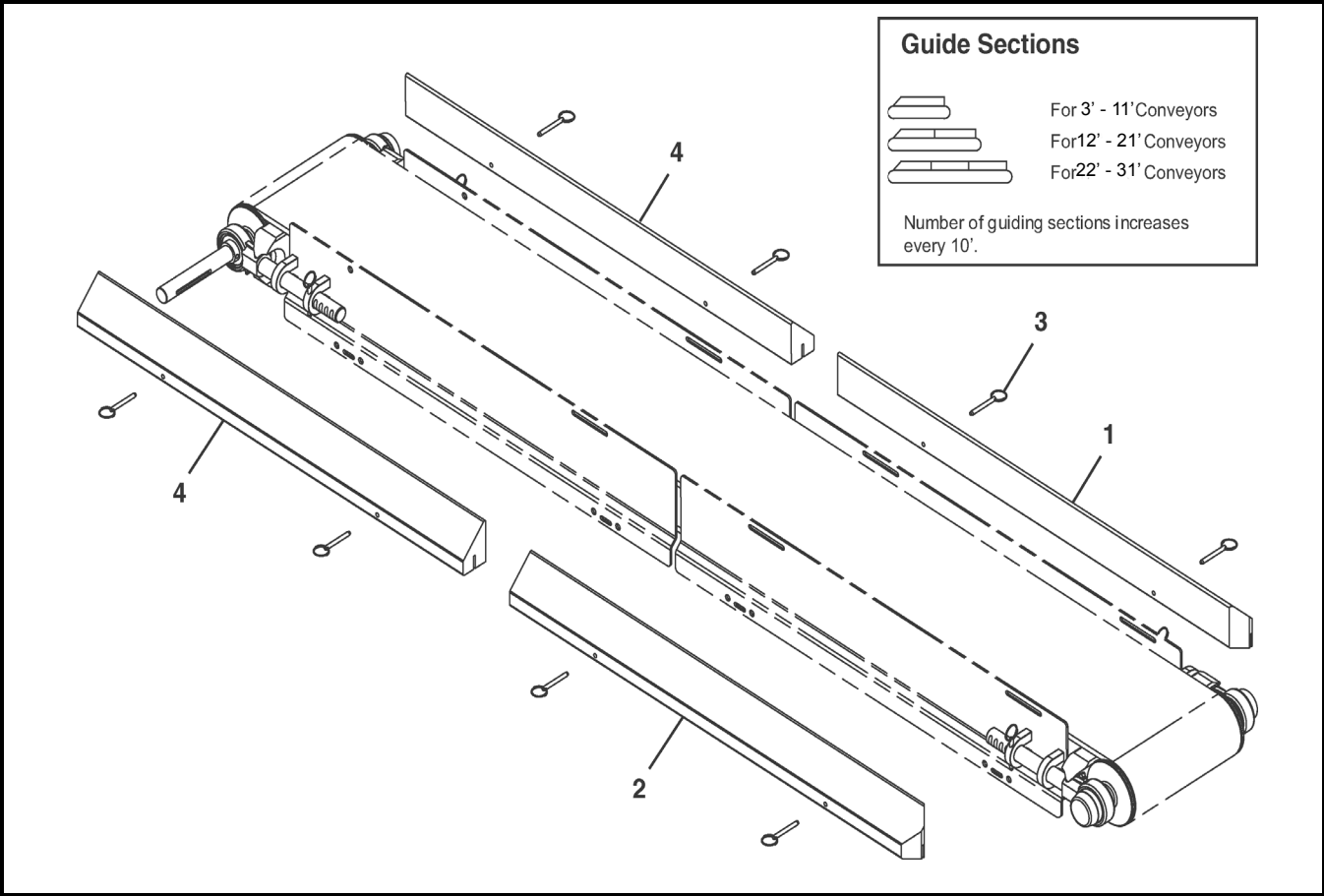
| Item | Part Number | Description |
|------|-------------|---------------------------------------|
| 1 | ----- | Consult Factory for Frame Part Number |
| 2 | 501800-LLL | Straight Wear Strip |
| 3 | 500193 | Hex Post Connector |
| 4 | 961016MSS | Hex Head Cap Screw M10-1.5x16mm |

LLL = Conveyor length ref: 048 - 999 in 001 increments

| | | Wear Strip Quantity (Item 2) | | | | | | | | |
|----------------------|----|------------------------------|---------|---------|---------|---------|---------|---------|---------|--|
| | | Conveyor Length (LLL) | | | | | | | | |
| | | 048-132 | 133-252 | 253-372 | 373-492 | 493-612 | 613-732 | 733-852 | 853-999 | |
| Conveyor Width (WWW) | 06 | 2 | 4 | 6 | 8 | 10 | 12 | 14 | 16 | |
| | 08 | 2 | 4 | 6 | 8 | 10 | 12 | 14 | 16 | |
| | 10 | 3 | 6 | 9 | 12 | 15 | 18 | 21 | 24 | |
| | 12 | 3 | 6 | 9 | 12 | 15 | 18 | 21 | 24 | |
| | 14 | 3 | 6 | 9 | 12 | 15 | 18 | 21 | 24 | |
| | 16 | 4 | 8 | 12 | 16 | 20 | 24 | 28 | 32 | |
| | 18 | 4 | 8 | 12 | 16 | 20 | 24 | 28 | 32 | |
| | 20 | 5 | 10 | 15 | 20 | 25 | 30 | 35 | 40 | |
| | 22 | 5 | 10 | 15 | 20 | 25 | 30 | 35 | 40 | |
| | 24 | 5 | 10 | 15 | 20 | 25 | 30 | 35 | 40 | |

| | | Wear Strip Quantity (Item 2) | | | | | | | | |
|----------------------|----|------------------------------|---------|---------|---------|---------|---------|---------|---------|--|
| | | Conveyor Length (LLL) | | | | | | | | |
| | | 048-132 | 133-252 | 253-372 | 373-492 | 493-612 | 613-732 | 733-852 | 853-999 | |
| Conveyor Width (WWW) | 26 | 6 | 12 | 18 | 24 | 30 | 36 | 42 | 48 | |
| | 28 | 6 | 12 | 18 | 24 | 30 | 36 | 42 | 48 | |
| | 30 | 6 | 12 | 18 | 24 | 30 | 36 | 42 | 48 | |
| | 32 | 7 | 14 | 21 | 28 | 35 | 42 | 49 | 56 | |
| | 34 | 7 | 14 | 21 | 28 | 35 | 42 | 49 | 56 | |
| | 36 | 8 | 16 | 24 | 32 | 40 | 48 | 56 | 64 | |
| | 38 | 8 | 16 | 24 | 32 | 40 | 48 | 56 | 64 | |
| | 40 | 8 | 16 | 24 | 32 | 40 | 48 | 56 | 64 | |
| | 42 | 9 | 18 | 27 | 36 | 45 | 54 | 63 | 72 | |
| | 44 | 9 | 18 | 27 | 36 | 45 | 54 | 63 | 72 | |
| | 46 | 9 | 18 | 27 | 36 | 45 | 54 | 63 | 72 | |
| | 48 | 10 | 20 | 30 | 40 | 50 | 60 | 70 | 80 | |
| | 50 | 10 | 20 | 30 | 40 | 50 | 60 | 70 | 80 | |
| | 52 | 11 | 22 | 33 | 44 | 55 | 66 | 77 | 88 | |
| | 54 | 11 | 22 | 33 | 44 | 55 | 66 | 77 | 88 | |
| | 56 | 11 | 22 | 33 | 44 | 55 | 66 | 77 | 88 | |
| 58 | 12 | 24 | 36 | 48 | 60 | 72 | 84 | 96 | | |
| 60 | 12 | 24 | 36 | 48 | 60 | 72 | 84 | 96 | | |

3" (76 mm) High Sides

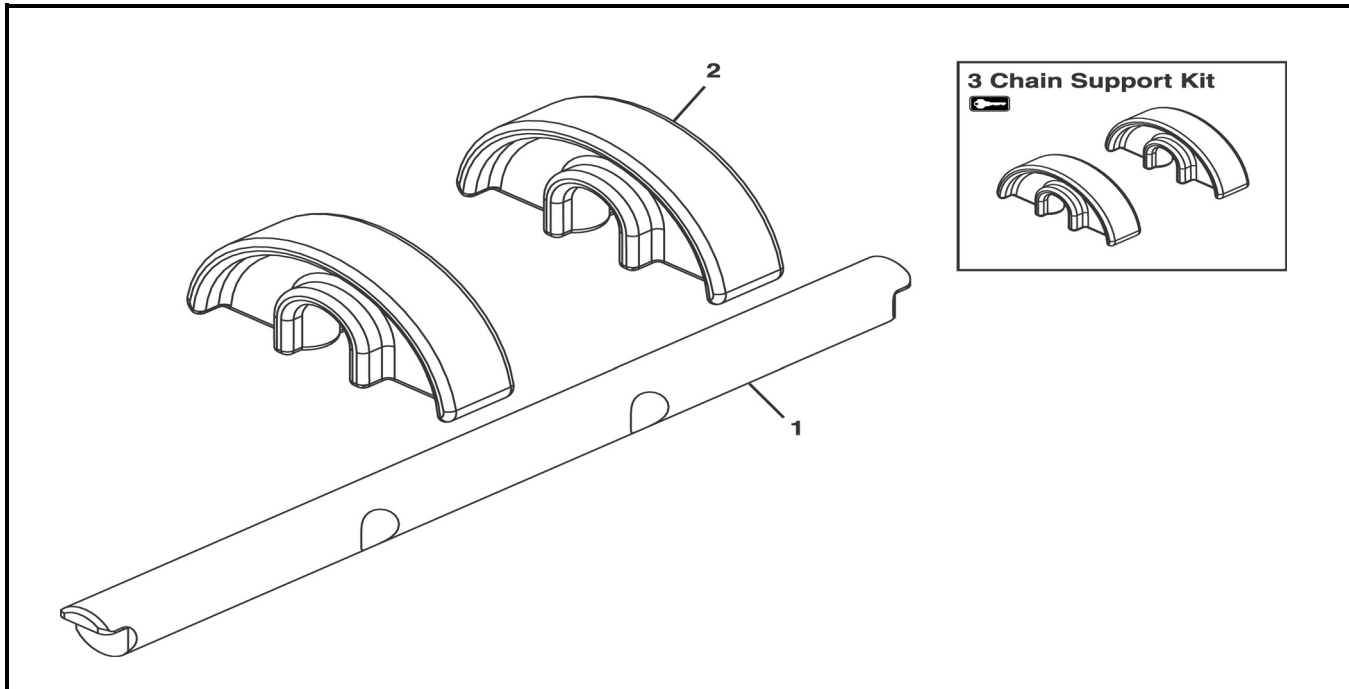


| Item | Part Number | Description |
|------|----------------------|----------------------------|
| 1 | 503501- <u>LLLLL</u> | Right Hand High Side Guide |
| 2 | 503601- <u>LLLLL</u> | Left Hand High Side Guide |
| 3 | 807-1553 | Pull Pin |

| Item | Part Number | Description |
|--|----------------------|----------------------------|
| 4 | 503401- <u>LLLLL</u> | Square End High Side Guide |
| <u>LLLLL</u> = Guide Length in inches with 2 decimal places. | | |
| Example: Guide Length = 95.25" <u>LLLLL</u> = 09525 | | |

Service Parts

Flat Belt Returns

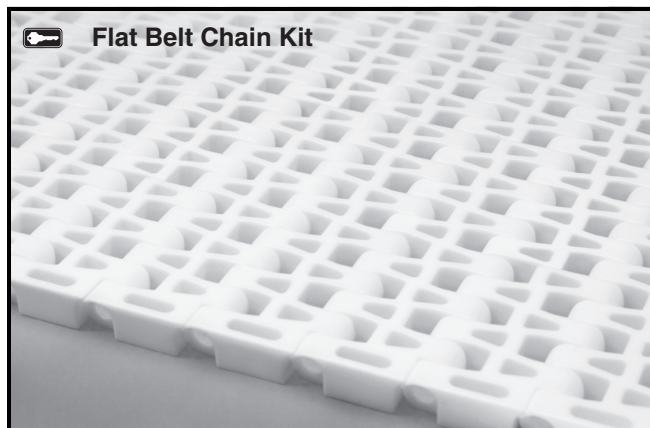


| Item | Part Number | Description |
|------|----------------|-------------------|
| 1 | 5032 <u>WW</u> | Return Shaft |
| 2 | 500075 | Chain Return Shoe |

| Item | Part Number | Description |
|------|----------------|--------------------------------------|
| 3 | 74R- <u>WW</u> | Chain Support Kit (Includes Item 2) |

WW = Conveyor width ref: 06 - 60 in 02 increments

Flat Belt Chain Repair Kit

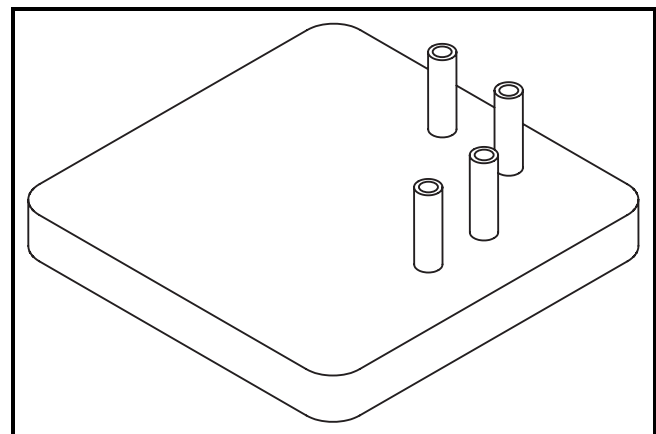


| Item | Part Number | Description |
|------|--------------------------|--|
| 1 | 74 <u>BB</u> - <u>WW</u> | Flat Belt Chain Repair Kit (Includes 1 ft (305 mm) of flat belt chain and assembly pins) |

BB = Chain Reference Number

WW = Conveyor width ref: 06 - 60 in 02 increments

Belt Removal Tool



| Item | Part Number | Description |
|------|-------------|---|
| 1 | 500494 | Tool Rod Removal for 1/2" Pitch Flush Grid Belt |

Ordering a Replacement Chain

Determine the length of chain required for the conveyor and round up to the nearest foot length. Order the proper number of chain repair kits (1' long each) for your conveyor. Dorner will ship chain kits that are of a reasonable length fully assembled.

Example:

Overall chain length = 42' 5" (rounded up = 43')

Order: Qty (43) of 74BB-WW

BB = Chain reference number

WW = Conveyor width ref: 06 - 60 in 02 increments

Configuring a Conveyor Part Number

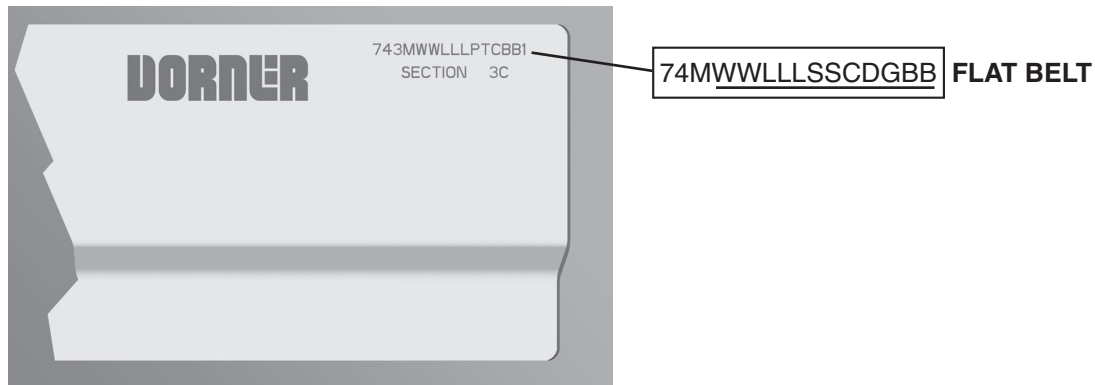


Figure 80

Flat Belt Conveyor

Refer to the model number on the conveyor frame (**Figure 80**). From the model number, determine conveyor width (WW), length (LLL), drive stand location (S), idler stand location (S), cleaning options (C), drive/pulley type (D), profile (G) and belt material (BB).

Example:

Conveyor 74M12072CC111MA

7400 Series end drive, flat belt conveyor, 12" (305mm) wide x 72" (1829mm) long, stands located 18" (457mm) from each end, frame cutout cleaning option, side drive with standard pulleys on each end, low side profiles, and MA belt material.

Return Policy

Returns must have prior written factory authorization or they will not be accepted. Items that are returned to Dorner without authorization will not be credited nor returned to the original sender. When calling for authorization, please have the following information ready for the Dorner factory representative or your local distributor:

1. Name and address of customer.
2. Dorner part number(s) of item(s) being returned.
3. Reason for return.
4. Customer's original order number used when ordering the item(s).
5. Dorner or distributor invoice number.

A representative will discuss action to be taken on the returned items and provide a Returned Goods Authorization number for reference.

There will be a return charge on all new undamaged items returned for credit where Dorner was not at fault. Dorner is not responsible for return freight on such items.

Conveyors and conveyor accessories

| | |
|--|----------------------|
| Standard catalog conveyors | 30% |
| MPB Series, cleated and specialty belt conveyors | 50% |
| 7400 & 7600 Series conveyors | non-returnable items |
| Engineered special products | case by case |
| Drives and accessories | 30% |
| Sanitary stand supports | non-returnable items |

Parts

| | |
|----------------------------------|----------------------|
| Standard stock parts | 30% |
| MPB, cleated and specialty belts | non-returnable items |

Returns will not be accepted after 60 days from original invoice date.

The return charge covers inspection, cleaning, disassembly, disposal and reissuing of components to inventory.

If a replacement is needed prior to evaluation of returned item, a purchase order must be issued. Credit (if any) is issued only after return and evaluation is complete.

Dorner has representatives throughout the world. Contact Dorner for the name of your local representative. Our Technical Sales, Catalog Sales and Service Teams will gladly help with your questions on Dorner products.

For a copy of Dorner's Warranty, contact factory, distributor, service center or visit our website at www.dorner.com.

For replacement parts, contact an authorized Dorner Service Center or the factory.



Dorner Mfg. Corp. reserves the right to change or discontinue products without notice. All products and services are covered in accordance with our standard warranty. All rights reserved. © Dorner Mfg. Corp. 2005

DORNER MFG. CORP.

975 Cottonwood Drive, PO Box 20
Hartland, WI 53029-0020 USA
USA
TEL 1-800-397-8664 (USA)
FAX 1-800-369-2440 (USA)
Internet: www.dorner.com

Outside the USA:
TEL 1-262-367-7600
FAX 1-262-367-5827