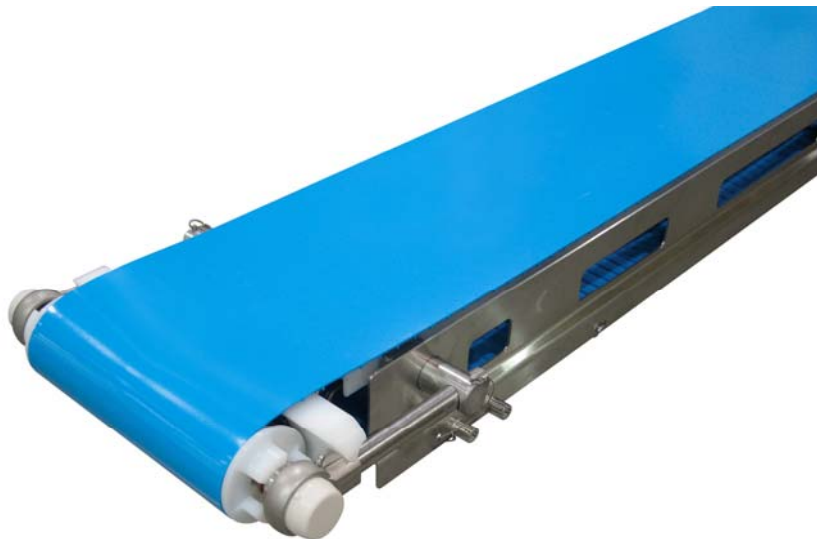


DORNER[®]

AquaPruf[®]
ULTIMATE

7600 Ultimate Series Conveyors

Installation Manual



DORNER MFG. CORP.
P.O. Box 20 • 975 Cottonwood Ave.
Hartland, WI 53029-0020 USA

INSIDE THE USA
TEL: 1-800-397-8664
FAX: 1-800-369-2440

OUTSIDE THE USA
TEL: 262-367-7600
FAX: 262-367-5827

For other service manuals visit our website at:
www.dorner.com/service_manuals.asp

Warnings - General Safety

WARNING

The safety alert symbol, black triangle with exclamation, is used to alert you to potential personal injury hazards.

DANGER



SEVERE HAZARD!
KEEP OFF CONVEYORS. Climbing, sitting, walking or riding on conveyor will result in death or severe injury.

DANGER



EXPLOSION HAZARD!
DO NOT OPERATE CONVEYORS IN AN EXPLOSIVE ENVIRONMENT. The electric gearmotor generates heat and could ignite combustible vapors. Failure to comply will result in death or serious injury.

WARNING



CRUSH HAZARD!
SUPPORT CONVEYOR SECTIONS PRIOR TO LOOSENING STAND HEIGHT OR ANGLE ADJUSTMENT SCREWS. Loosening stand height or angle adjustment screws may cause conveyor sections to drop down, causing serious injury.

WARNING



SEVERE HAZARD!
LOCK OUT POWER before removing guards or performing maintenance. Exposed moving parts can cause serious injury.

WARNING



BURN HAZARD!
DO NOT TOUCH the motor while operating, or shortly after being turned off. Motors may be HOT and can cause serious burn injuries.

WARNING



PUNCTURE HAZARD!
Handle drive shaft keyway with care. It may be sharp and could puncture the skin, causing serious injury.

WARNING



SEVERE HAZARD!
Dorner cannot control the physical installation and application of conveyors. Taking protective measures is the responsibility of the user.
When conveyors are used in conjunction with other equipment or as part of a multiple conveyor system, CHECK FOR POTENTIAL PINCH POINTS and other mechanical hazards before system start-up.
Failure to comply could result in serious injury.

Caution

Dorner recommends cleaning all the "food zones" prior to placing conveyor into service. Ensure adequate access is provided for cleaning and servicing equipment so that the required level of hygiene can be maintained.

Note

Proper conveyor application, cleaning and sanitation are the responsibility of the end user.

Caution

Conveyor **MUST** be mounted straight, flat and level within confines of conveyor. Use a level during setup.

Required Tools

- Level
- 10 mm Hex Wrench

For Conveyors Longer than 11 ft (3353 mm)

Belt and Frame Section Installation

Typical Standard Belt (Figure 1).

1	Belt
---	------

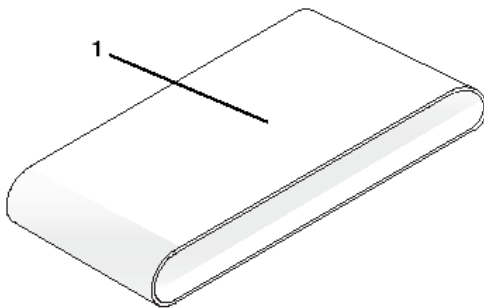


Figure 1

Typical Frame Connection Components (Figure 2).

- | | |
|---|--------------------------|
| 1 | Conveyor Frames |
| 2 | Connector Hex Rods (x2) |
| 3 | Hex Head Cap Screws (x4) |
| 4 | O-ring (x8) |

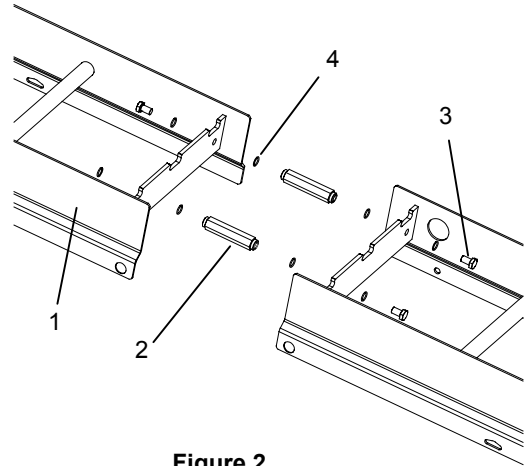


Figure 2

1. Locate the section number sequence etched on each section of frame (Figure 3, item 1).

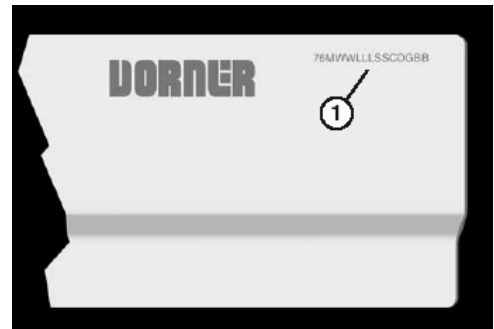


Figure 3

2. Position the frame sections in the correct order.
3. Place the idler tail (Figure 4, item 1) in the UP position.

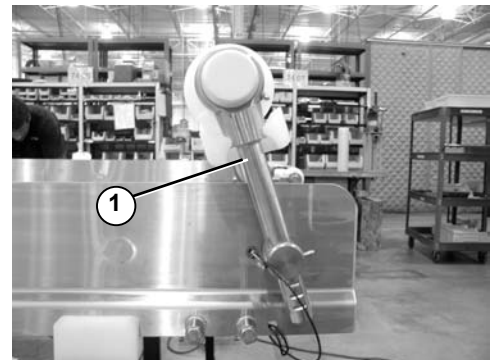


Figure 4

Installation

4. Connect the frame sections by bolting the hex post connectors (Figure 5, item 1) to the sections of frame.

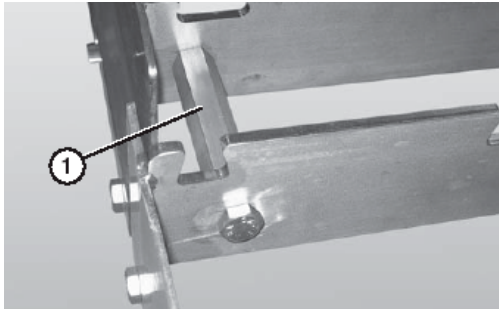


Figure 5

5. Slide the belt (Figure 6, item 1) over the conveyor frame (Figure 6, item 2).

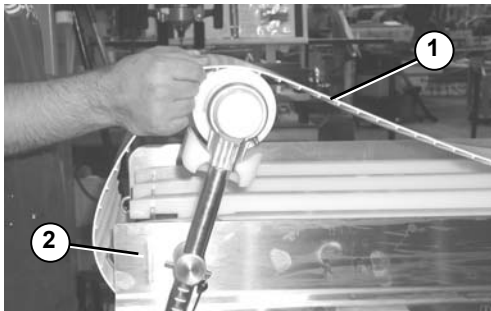


Figure 6

6. Align the sprockets (Figure 7, item 1) with the cogged drive teeth (Figure 7, item 2) on the inside of the belt.

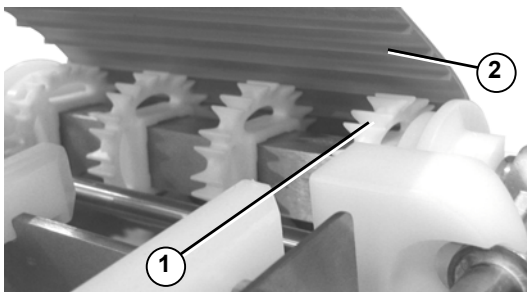


Figure 7

Note: The cogged drive teeth on the belt (Figure 7, item 2) should engage the deep grooves of the sprocket (Figure 8, item 1).

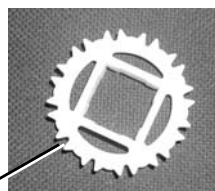


Figure 8

1

For ALL Length Conveyors

Belt Return Installation

Flat Belt

Typical Flat Belt Return Components (Figure 9).

1 Flat Belt Returns

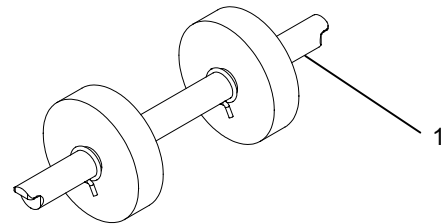


Figure 9

1. Slide the return shaft (Figure 10, item 1) up and through the large slot (Figure 10, item 2) in the frame.

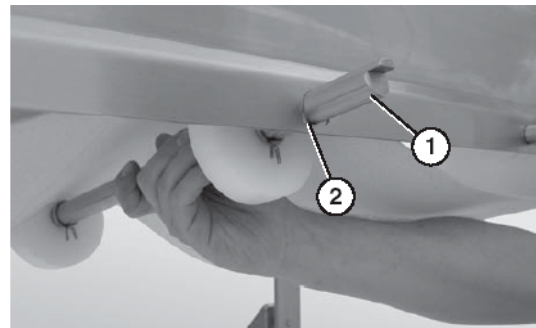


Figure 10

2. Push up on the return shaft (Figure 11, item 1) and slide the notched end of the shaft through the small slot (Figure 11, item 2) on the opposite side of the frame.

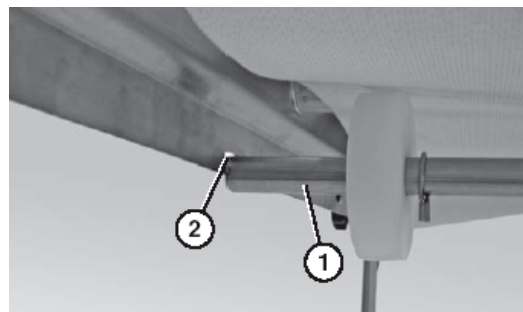


Figure 11

3. Repeat the procedure for all other belt returns.

Cleated Belt

Typical Cleated Belt Return Components (Figure 12).

- | |
|------------------------|
| 1 Cleated Belt Returns |
|------------------------|

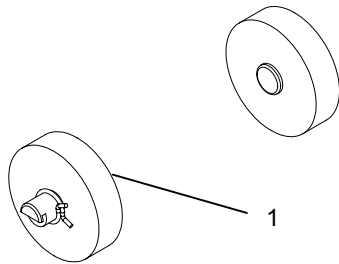


Figure 12

1. Insert the notched end of the return shaft (Figure 13, item 1) through the small hole (Figure 13, item 2) in the inside of the conveyor frame.

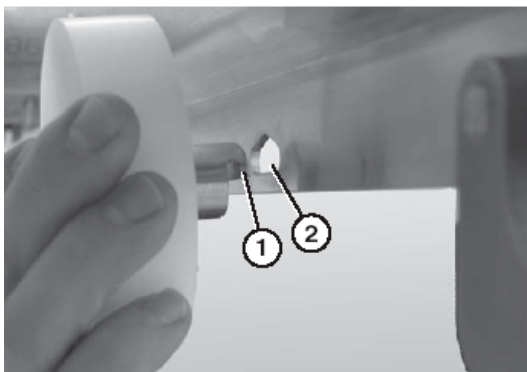


Figure 13

2. Repeat the procedure for all other belt returns.

Limiter Installation

Flat Belt

Typical Flat Belt Limiter Components (Figure 14).

- | |
|-------------------------------|
| 1 Limiter |
| 2 Limiter Support Plates (x2) |
| 3 Hex Head Cap Screws (x4) |

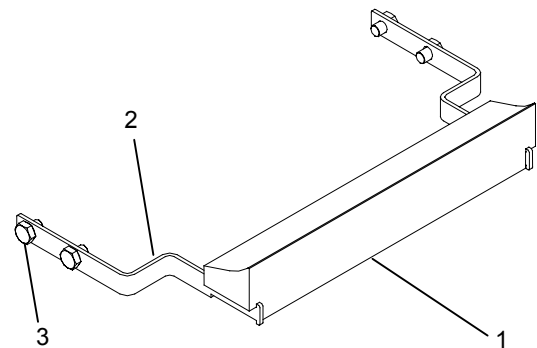


Figure 14

Cleated Belt

Typical Cleated Belt Limiter Components (Figure 15).

- | |
|-------------------------------|
| 1 Limiter (x2) |
| 2 Limiter Support Plates (x2) |
| 3 Hex Head Cap Screws (x4) |

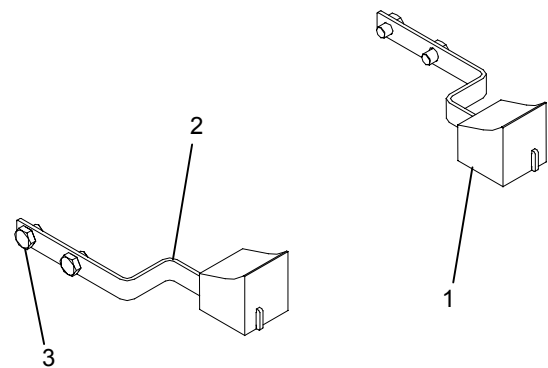


Figure 15

Installation

1. Bolt limiter support plates (Figure 16, item 1) to conveyor frame stand off posts (Figure 16, item 2).

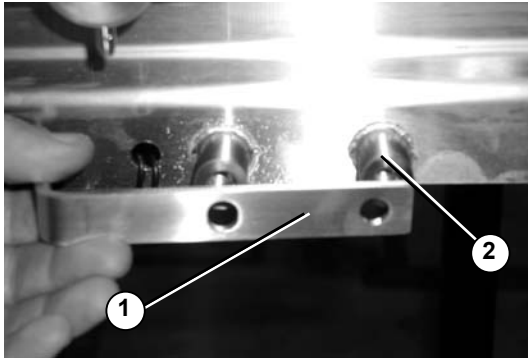


Figure 16

2. Insert limiter (Figure 17, item 1) between support plates (Figure 17, item 2).

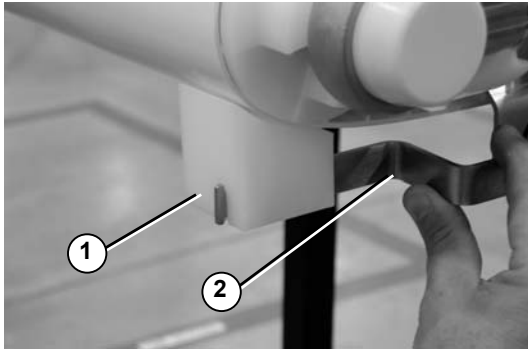


Figure 17

Belt Tensioning

- Do not tension the conveyor belt.
- Conveyors are shipped at proper tension.
- Over tensioning of the conveyor will cause the conveyor to run improperly.
- Some belt slack is required for proper operation (Figure 18).



Figure 18

Belt slack

Return Policy

Returns must have prior written factory authorization or they will not be accepted. Items that are returned to Dorner without authorization will not be credited nor returned to the original sender. When calling for authorization, please have the following information ready for the Dorner factory representative or your local distributor:

1. Name and address of customer.
2. Dorner part number(s) of item(s) being returned.
3. Reason for return.
4. Customer's original order number used when ordering the item(s).
5. Dorner or distributor invoice number.

A representative will discuss action to be taken on the returned items and provide a Returned Goods Authorization number for reference.

There will be a return charge on all new undamaged items returned for credit where Dorner was not at fault. Dorner is not responsible for return freight on such items.

Conveyors and conveyor accessories

Standard catalog conveyors	30%
MPB Series, cleated and specialty belt conveyors	50%
7400 & 7600 Series conveyors	non-returnable items
Engineered special products	case by case
Drives and accessories	30%
Sanitary stand supports	non-returnable items

Parts

Standard stock parts	30%
MPB, cleated and specialty belts	non-returnable items

Returns will not be accepted after 60 days from original invoice date.

The return charge covers inspection, cleaning, disassembly, disposal and reissuing of components to inventory.

If a replacement is needed prior to evaluation of returned item, a purchase order must be issued. Credit (if any) is issued only after return and evaluation is complete.

Dorner has representatives throughout the world. Contact Dorner for the name of your local representative. Our Technical Sales, Catalog Sales and Service Teams will gladly help with your questions on Dorner products.

For a copy of Dorner's Warranty, contact factory, distributor, service center or visit our website at www.dorner.com.

For replacement parts, contact an authorized Dorner Service Center or the factory.



Dorner Mfg. Corp. reserves the right to change or discontinue products without notice. All products and services are covered in accordance with our standard warranty. All rights reserved. © Dorner Mfg. Corp. 2006

Dorner Mfg. Corp.
975 Cottonwood Ave., PO Box 20
Hartland, WI 53029-0030 USA

USA
TEL 1-800-397-8664
FAX 1-800-369-2440

Outside the USA
TEL 1-262-367-7600
FAX 1-262-367-5827

Internet: www.dorner.com