

2100, 2200, 4100, 6100 & MPB Timing Belt Replacement



WARNING
Exposed moving parts can cause severe injury.
LOCK OUT POWER before removing guards or performing maintenance.



WARNING
Gearmotors may be HOT.
DO NOT TOUCH Gearmotors.

Refer to Figure 1 for typical components.

Typical Components	
A	Conveyor
B	Mounting Bracket
C	Gearmotor
D	Timing Belt Tensioner
E	Cover
F	Timing Belt
G	Drive Pulley
H	Driven Pulley
I	Cover Mounting Screws

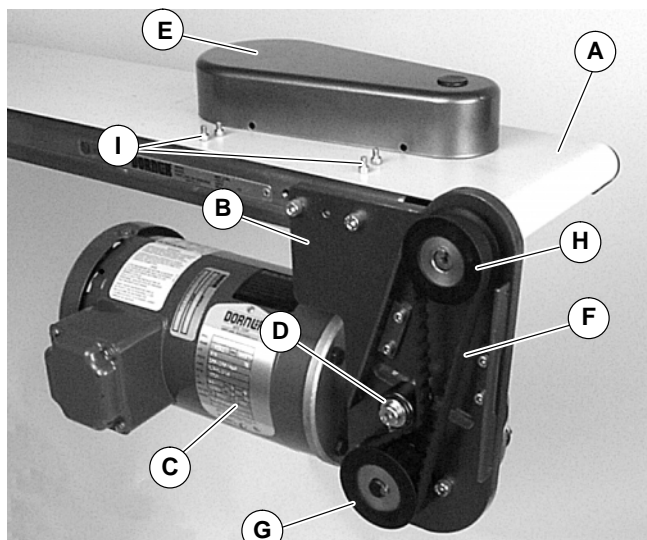


Figure 1

Timing Belt Replacement

1. Remove four (4) screws (I of Figure 2) and remove cover (E).

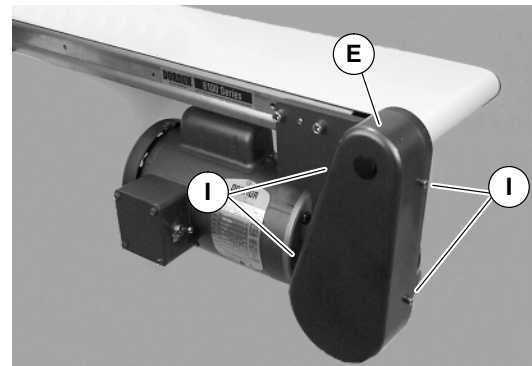


Figure 2

2. Loosen tensioner (D of Figure 3).

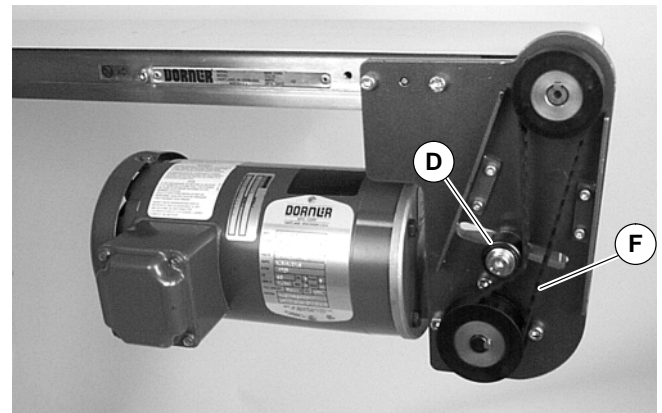


Figure 3

3. Remove timing belt (F of Figure 3).

NOTE: If timing belt does not slide over pulley flange, loosen driven pulley set screws (J of Figure 4) and remove pulley (H) with belt (F). For re-installation, see steps 4 and 5 on page 2.



WARNING
Drive shaft keyway may be sharp.
HANDLE WITH CARE.

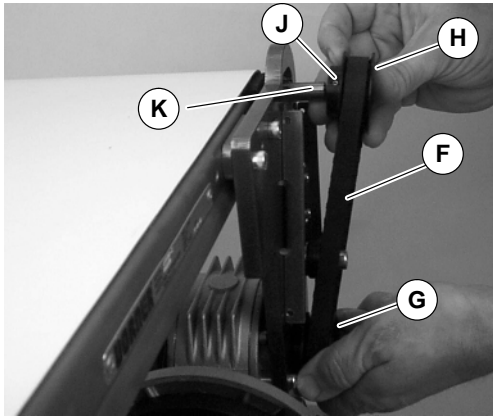


Figure 4

4. Wrap timing belt (F of Figure 4) around driven pulley (H) and drive pulley (G). If necessary, install driven pulley (K) onto conveyor shaft.
5. Remove timing belt tensioner (D of Figure 3). Place the tensioner (D of Figure 5) next to the driven pulley (H). Ensure the flanges of the driven pulley are aligned with the cam bearing. Tighten driven pulley set screws (J). This will allow for proper belt alignment while conveyor is in use.

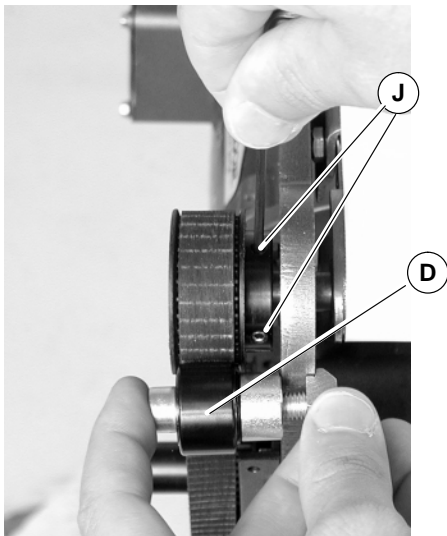


Figure 5

6. Reinstall tensioner (D of Figure 6). Depending on conveyor belt travel (direction 1 or 2), locate timing belt tensioner (D) as shown. Tension timing belt to obtain 0.125" (3 mm) deflection for 1.0 lb (456 grams) of force at timing belt mid-point (L). Tighten tensioner screw to 103 in-lb (12 N-m).

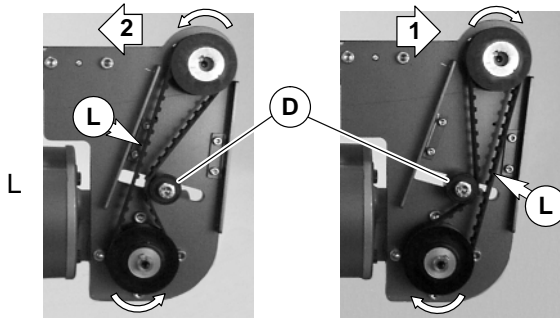


Figure 6

7. Install cover (E of Figure 2) with four (4) screws (I). Tighten to 35 in-lb (4 N-m).

Service Parts

For additional service parts information refer to your Installation, Maintenance & Parts Manual or the internet at www.dorner.com.

DORNER®

Dorner Mfg. Corp. reserves the right to change or discontinue products without notice. All products and services are covered in accordance with our standard warranty. All rights reserved. © Dorner Mfg. Corp. 2000

DORNER MFG. CORP.

580 Industrial Drive, PO Box 20
Hartland, WI 53029-0020 USA

USA
TEL 1-800-397-8664 (USA)
FAX 1-800-369-2440 (USA)

Outside the USA:
TEL 1-262-367-7600, FAX 1-262-367-5827

DORNER

Arnold-Sommerfeld-Ring 2
D-52499 Baesweiler

Germany
TEL (02401) 80 52 90
FAX (02401) 80 52 93

Internet: www.dorner.com