



7600 Series End Drive Conveyors

Installation, Maintenance and Parts Manual



Flat Belt Conveyor



Cleated Belt Conveyor

DORNER MFG. CORP.
P.O. Box 20 • 975 Cottonwood Ave.
Hartland, WI 53029-0020 USA

INSIDE THE USA
TEL: 1-800-397-8664
FAX: 1-800-369-2440

OUTSIDE THE USA
TEL: 262-367-7600
FAX: 262-367-5827

For other service manuals visit our website at:
www.dorner.com/service_manuals.asp

Table of Contents

Introduction	2	Troubleshooting	17
Warnings – General Safety	3	Conveyor Belt Replacement	17
Product Description	4	Conveyors with Guides	18
Specifications	5	Standard Belts	18
Flat Belt 7600 Series Conveyor	5	Conveyor Belt Tensioning	19
Cleated Belt 7600 Series Conveyor	5	Conveyor Belt Tracking	19
Flat Belt 7600 Series LPZ Conveyor	5	Spindle Removal	20
Cleated Belt 7600 Series LPZ Conveyor	5	A - Drive Spindle Removal	20
Conveyor Supports	6	B - Idler Spindle Removal	22
Specifications	6	C - .5" Nose Bar Idler Spindle Removal	23
Installation	7	D - 1" Nose Bar Idler Spindle Removal	24
Required Tools	7	E - 1.875" Nose Bar Idler Spindle Removal	25
Recommended Installation Sequence	7	Reassembling Tail Assemblies	26
Conveyors Longer than 10 ft (3048 mm)	7	Gas Assist Replacement	26
Connecting Components	7	Bearing Replacement	26
Wear Strip Installation	8	Standard Bearings	26
Standard Wear Strips	8	.5" and 1" Nose Bar Return Spindle Bearings	27
Stainless Steel Sheet Bed Plates (Optional)	8	1" Nose Bar Bearings	27
Lifter Installation	9	1.875" Nose Bar Bearings	28
Belt Installation	9	LPZ Knuckles	28
Guide Installation	10	Wearstrips and Belt Returns	28
LPZ Conveyors	11	Removal	28
Knuckles	11	Installation	28
Belt	11	Service Parts	30
Guides	12	Drive End Components	30
All Conveyors	12	Idler End Components	31
Belt Return Installation	12	.5" Nose Bar Idler End	32
Flat Belt	12	1" Nose Bar Idler End	34
Cleated Belt	12	1.875" Nose Bar Idler End	36
Scraper Installation	13	Upper Knuckle for Flat Belt Conveyors	37
Stand Installation	14	Upper Knuckle for Cleated Belt Conveyors	38
Drive Package Installation	15	Lower Knuckle for Cleated Belt Conveyors	39
Preventive Maintenance and Adjustment	16	Conveyor Frame and Extensions with Standard Wear Strips	40
Required Tools	16	Wear Strips with Stainless Steel Sheet Bed Plate	41
Checklist	16	Lifters	42
Cleaning	16	Gas Assisted Tip Up	42
Routine Cleaning	16	3" High Sides	43
Standard Conveyors	16	1" Cleated Guides	44
Conveyors with Lifters	16	3" Cleated Guides	45
Periodic Cleaning	17	Flat Belt Returns	46
Lubrication	17	Cleated Belt Return	46
Conveyor Bearings	17	Scraper	46
Wearstrips and Belt Returns	17	Configuring Conveyor Belt Part Number	47
Scraper	17	Return Policy	48
Maintaining the Conveyor Belt	17		

Introduction

CAUTION

Some illustrations may show guards removed. DO NOT operate equipment without guards.


Upon receipt of shipment:

- Compare shipment with packing slip. Contact factory regarding discrepancies.
- Inspect packages for shipping damage. Contact carrier regarding damage. Accessories may be shipped loose.
- See accessory instructions for installation.

The Dorner Limited Warranty applies.

Dorner 7600 Series conveyors have patents pending.

Dorner reserves the right to make changes at any time without notice or obligation.

Dorner has convenient, pre-configured kits of Key Service Parts for all conveyor products. These time saving kits are easy to order, designed for fast installation, and guarantee you will have what you need when you need it. Key Parts and Kits are marked in the Service Parts section of this manual with the Performance Parts Kits logo .


Warnings – General Safety

⚠ DANGER



SEVERE HAZARD!
KEEP OFF CONVEYORS. Climbing, sitting, walking or riding on conveyor will result in death or serious injury.


⚠ DANGER



EXPLOSION HAZARD!

- **DO NOT OPERATE CONVEYORS IN AN EXPLOSIVE ENVIRONMENT.** The electric gearmotor generates heat and could ignite combustible vapors.
- Failure to comply will result in death or serious injury.

⚠ WARNING



CRUSH HAZARD!

- **DO NOT** place hands or fingers inside the conveyor while it is running.
- **DO NOT** wear loose garments while operating the conveyor. Loose garments can become caught up in the conveyor.
- Failure to comply could result in serious injury.

⚠ WARNING



CRUSH HAZARD!

- **SUPPORT CONVEYOR SECTIONS PRIOR TO LOOSENING STAND HEIGHT OR ANGLE ADJUSTMENT SCREWS.**
- Loosening stand height or angle adjustment screws may cause conveyor sections to drop down, causing serious injury.

⚠ WARNING




SEVERE HAZARD!
LOCK OUT POWER before removing guards or performing maintenance. Exposed moving parts can cause serious injury.

⚠ WARNING




BURN HAZARD!
DO NOT TOUCH the motor while operating, or shortly after being turned off. Motors may be **HOT** and can cause serious burn injuries.

⚠ WARNING



PUNCTURE HAZARD!
 Handle drive shaft keyway with care. It may be sharp and could puncture the skin, causing serious injury.

⚠ WARNING



SEVERE HAZARD!

- Dorner cannot control the physical installation and application of conveyors. Taking protective measures is the responsibility of the user.
- When conveyors are used in conjunction with other equipment or as part of a multiple conveyor system, **CHECK FOR POTENTIAL PINCH POINTS** and other mechanical hazards before system start-up.
- Failure to comply could result in serious injury.

Product Description

Refer to **(Figure 1)** for typical conveyor components.

Typical Components

- 1 Conveyor
- 2 Gearmotor
- 3 Belt (Flat Belt Shown)
- 4 Return
- 5 Support Stands
- 6 Motor Controller
- 7 Drive End
- 8 Idler End

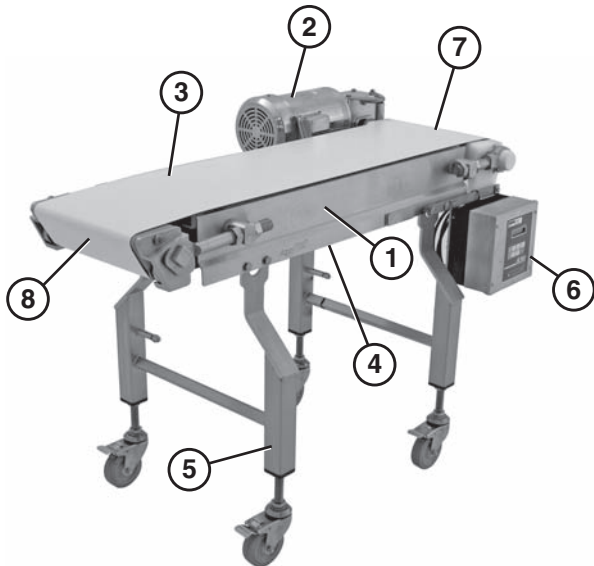
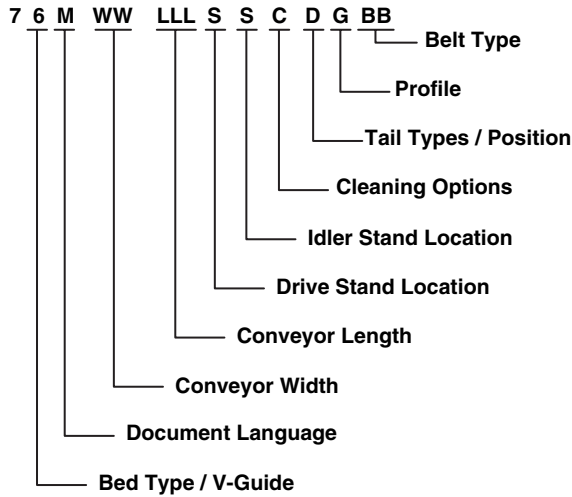
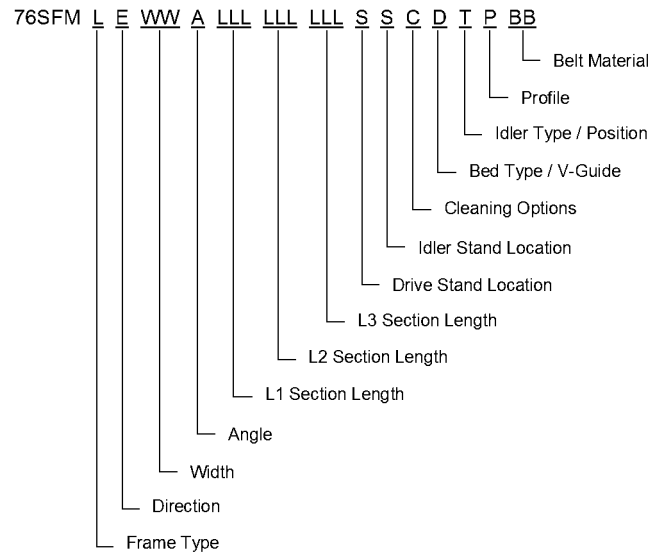


Figure 1

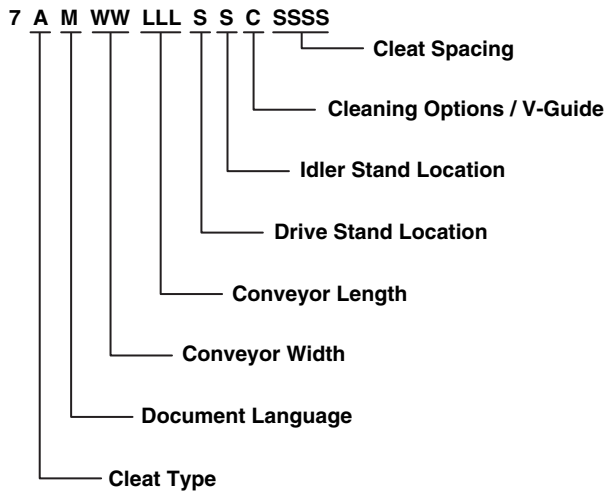
Flat Belt 7600 Series Conveyor



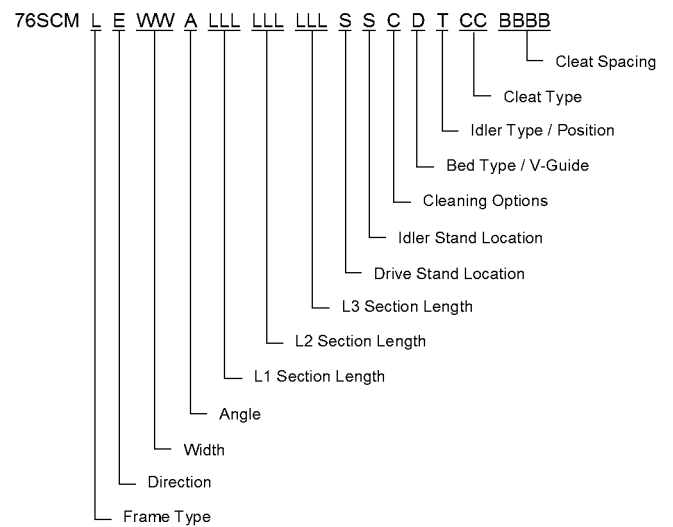
Flat Belt 7600 Series LPZ Conveyor



Cleated Belt 7600 Series Conveyor



Cleated Belt 7600 Series LPZ Conveyor



Specifications

Conveyor Supports

Maximum Distances:

- 1 = Support Stand on Idler End = 3 ft (914 mm)
- 2 = Between Support Stands = 8 ft (2438 mm)**
- 3 = Support Stand on Drive End = 3 ft (914 mm)

** For conveyors longer than 10 ft (3.05 m), install support at frame joint.

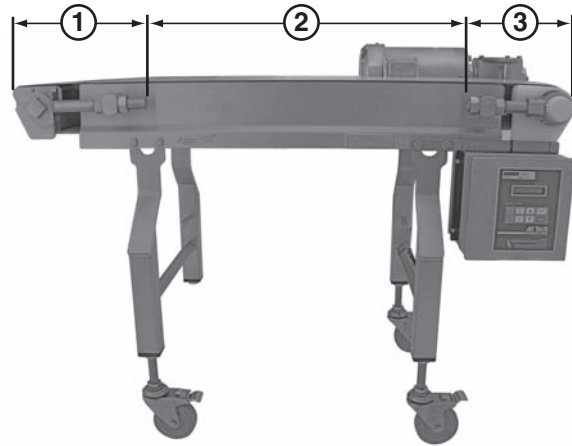


Figure 2

Specifications

Conveyor Width Reference (<u>WW</u>)	06 – 60 in 02 increments
Conveyor Belt Width	6" (152 mm) - 60" (1524 mm) in 2" (51 mm) increments
Maximum Conveyor Load	400 lbs. (181 kg)
Belt Travel	11.25" (286 mm) per revolution of pulley
Maximum Belt Speed	325 ft/minute (100 m/minute)
Belt Take-up	1.5" (38 mm)
Conveyor Length Reference (<u>LLL</u>)	036 – 480 in 001 increments
Conveyor Length	36" (914 mm) - 480" (12192 mm) in 1" (25 mm) increments
LPZ Section Lengths (<u>LLL</u>)	024 – 252 in 001 increments
LPZ Section Length	24" (610 mm) – 252" (6401 mm) in 1" (25 mm) increments
Total LPZ Conveyor Length	(L1 +L2 + L3) = Maximum 38' (11.6 m) long conveyor

IMPORTANT

Maximum conveyor loads are based on:

- *Non-accumulating product*
- *Product moving toward gearmotor*
- *Conveyor being mounted horizontally*
- *Conveyor being located in a dry environment*
- *Conveyor equipped with standard belt only*

CAUTION

Dorner recommends cleaning all the “food zones” prior to placing conveyor into service. Ensure adequate access is provided for cleaning and servicing equipment so that the required level of hygiene can be maintained.

CAUTION

Conveyor **MUST** be mounted straight, flat and level within confines of conveyor. Use a level (Figure 3, item 1) during setup.

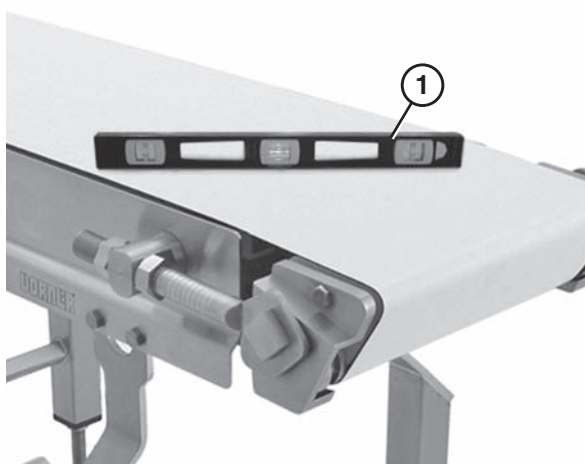


Figure 3

Required Tools

- Level
- Torque wrench

Recommended Installation Sequence

1. Assemble the conveyor (if required). Refer to “All Conveyors” on page 12.
2. Attach the stands. Refer to “Stand Installation” on page 14.
3. Install the gearmotor. Refer to “Drive Package Installation” on page 15.

Conveyors Longer than 10 ft (3048 mm)

Connecting Components

Typical Connection Components (Figure 4)

- | | |
|---|---------------------------------------|
| 1 | M10 x 1.5 mm hex head cap screws (x4) |
| 2 | Connector hex rods (x2) |
| 3 | Conveyor frames |

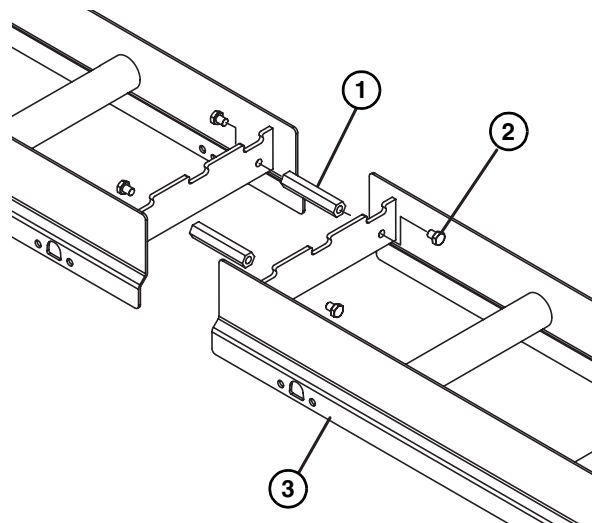


Figure 4

1. Locate the section number sequence etched on each section of frame (Figure 5, item 1).

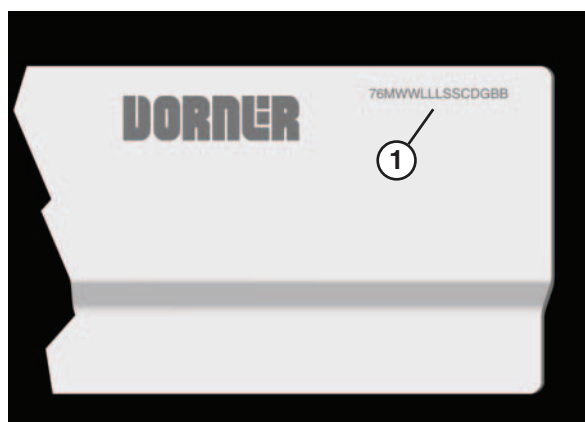


Figure 5

2. Position the frame sections in the correct order.

Installation

3. Connect the frame sections by bolting the hex post connectors (**Figure 6, item 1**) to the sections of frame.

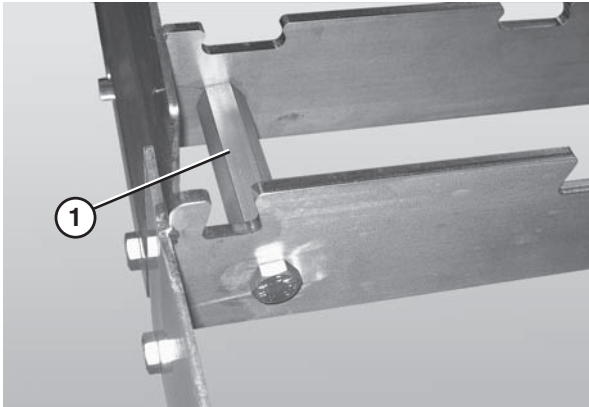


Figure 6

Wear Strip Installation

Standard Wear Strips

Typical Standard Wear Strips (**Figure 7**)

1	Wear Strips
---	-------------

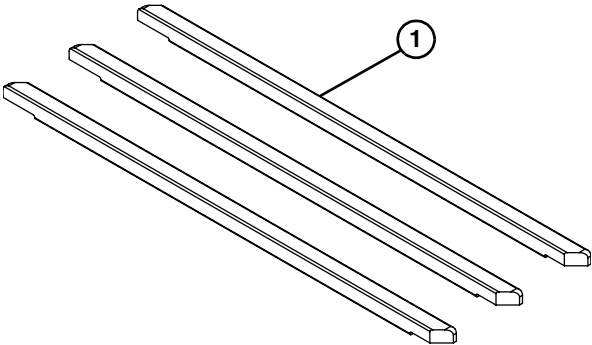


Figure 7

1. Position the wear strips (**Figure 8, item 1**) on the frame.

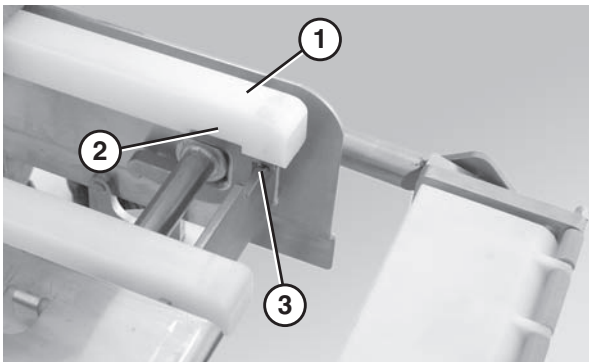


Figure 8

2. Make sure slots in the wear strips (**Figure 8, item 2**) line up properly with frame slots (**Figure 8, item 3**).

Stainless Steel Sheet Bed Plates (Optional)

Typical Stainless Steel Sheet Bed Plates (**Figure 9**)

1	Bed Plates
2	Wear Strips

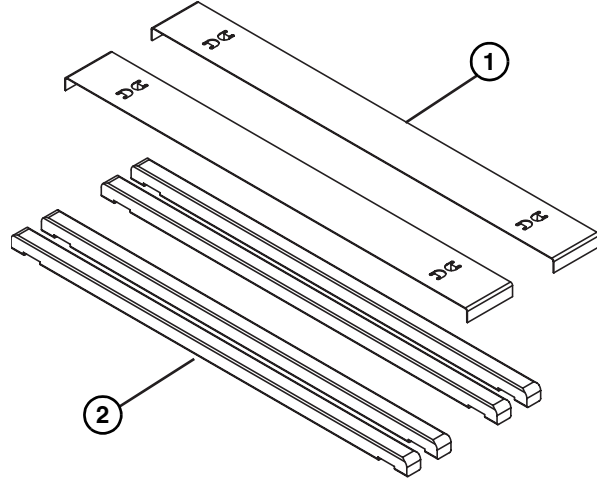


Figure 9

1. Attach the wear strips to the frame. Refer to “Standard Wear Strips” on page 8.
2. Place the sheet bed plates (**Figure 10, item 1**) over the wear strips (**Figure 10, item 2**).

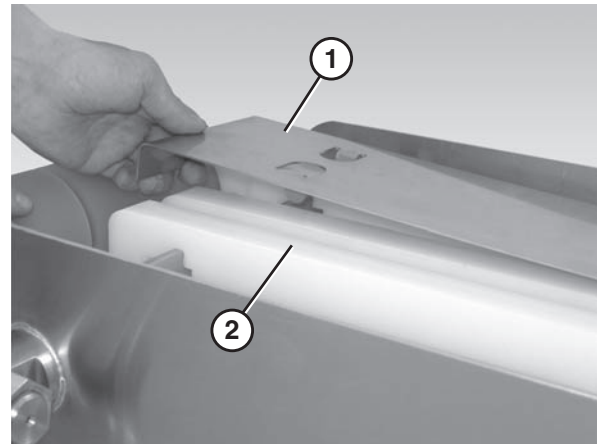


Figure 10

Lifter Installation

Typical Lifter Components (Figure 11)

1	Belt lift pivot bar
2	Lifter bars
3	Belt lift handle
4	M8 - 1.25 x 16 mm hex head cap screw

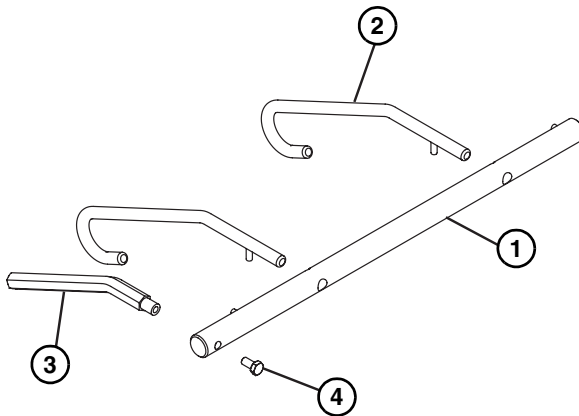


Figure 11

1. Slide the belt lift pivot bar (Figure 12, item 1) through the designated holes in the frame. The pins on the belt lift pivot bar should be located inside the frame side rails.

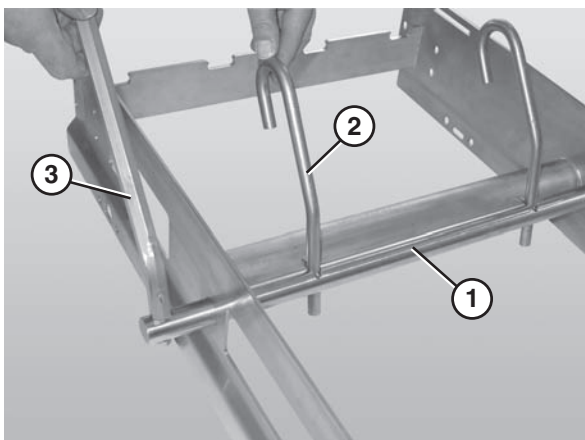


Figure 12

2. Attach the lifter bars (Figure 12, item 2) to the belt lift pivot bar (Figure 12, item 1). Make sure the hooked ends of the lifter bars are facing down when resting against the frame.
3. Attach the lifter handle (Figure 12, item 3) to the belt lift pivot rod.

Belt Installation

Typical Standard Belt (Figure 13)

1	Belt
---	------

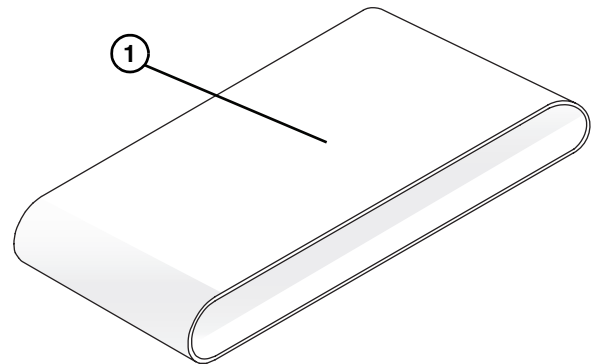


Figure 13

1. Place the idler tail (Figure 14, item 1) in the UP position.

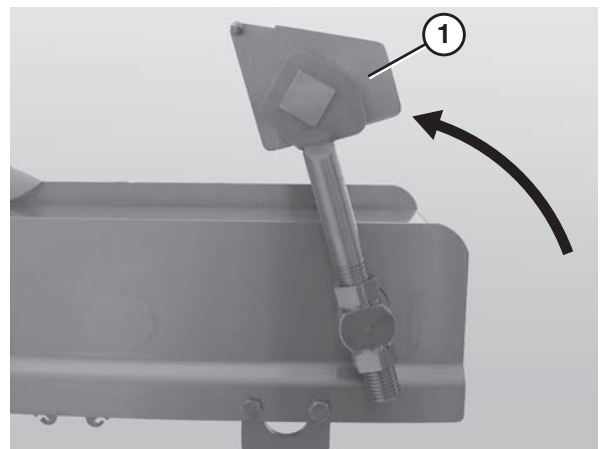


Figure 14

⚠ WARNING



SEVERE HAZARD!

- ONLY DISCONNECT ONE PIVOT BRACKET AT A TIME AND ONLY IF THE STANDS ARE BOLTED TO THE FLOOR.
- Disconnecting more than one pivot bracket at a time or not bolting the stands to the floor can cause the conveyor to tip and may result in serious injury.

Installation

2. Lower the quick release arm (**Figure 15, item 1**) on one of the stands. *Note: if the conveyor is not equipped with Quick Release (QR Type) stands, it will be necessary to remove the entire stand.* For detailed instructions, refer to the “Sanitary Support Stands Installation, Maintenance and Parts Manual.”

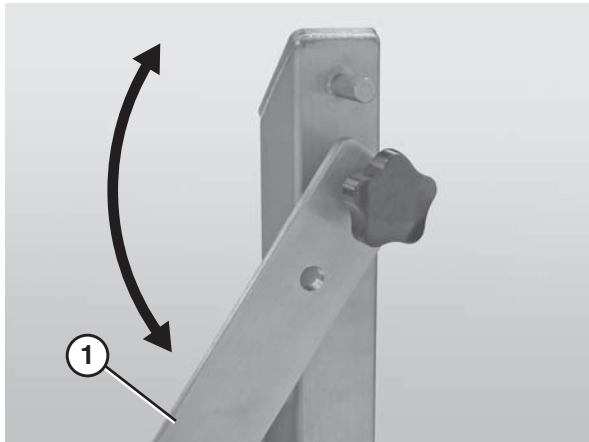


Figure 15

3. Slide the belt (**Figure 16, item 1**) on over the conveyor frame (**Figure 16, item 2**).

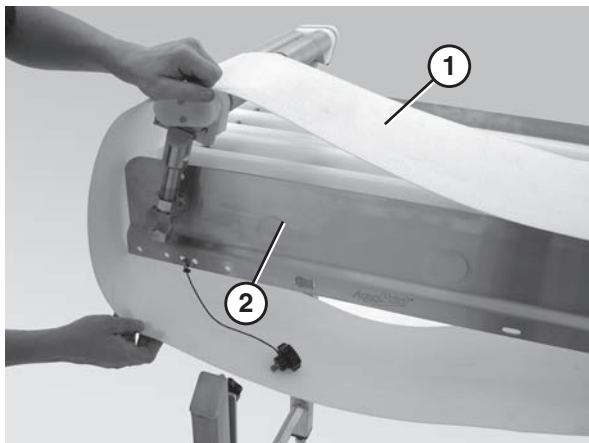


Figure 16

4. Secure the quick release arm on the stand and repeat steps 2 and 3 until the belt is around the entire length of the conveyor.
5. Add tension to the belt by lowering the tip-up tail or by sliding the idler tail out and tightening the nuts. Refer to “Conveyor Belt Tensioning” on page 19.
6. Adjust the belt tracking as necessary. Refer to “Conveyor Belt Tracking” on page 19.

Guide Installation

Typical Guide Components (**Figure 17**)

1	Guide
2	Pull pin

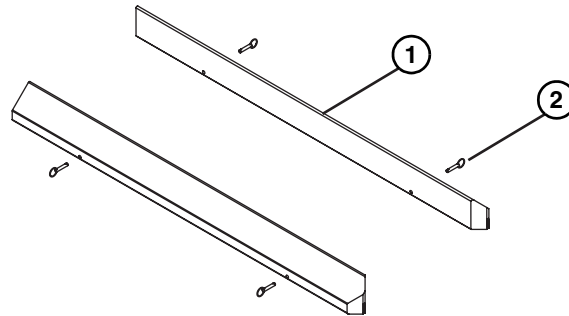


Figure 17

1. Position the guide (**Figure 18, item 1**) so that the flat surface is facing the belt and then slide the guide onto the frame rail (**Figure 18, item 2**).

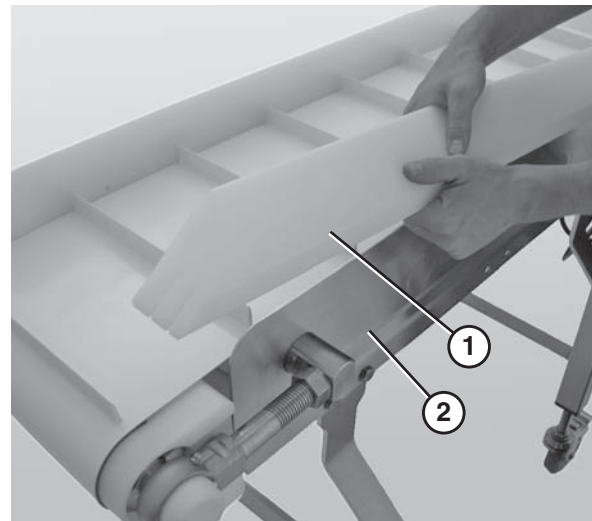


Figure 18

2. Line up the guide holes with the holes in the frame.

3. Insert the pull pins (**Figure 19, item 1**) into the holes in the guide (**Figure 19, item 2**).

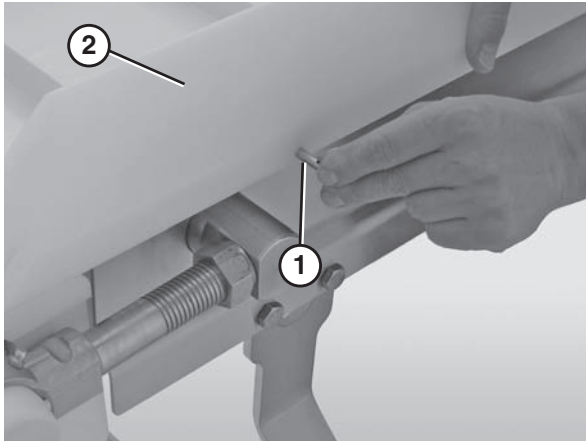


Figure 19

LPZ Conveyors

Knuckles

1. Attach upper knuckle (**Figure 20, item 1**) to frame (**Figure 20, item 2**) with hex rods (**Figure 20, item 3**) and bolts (**Figure 20, item 4**).

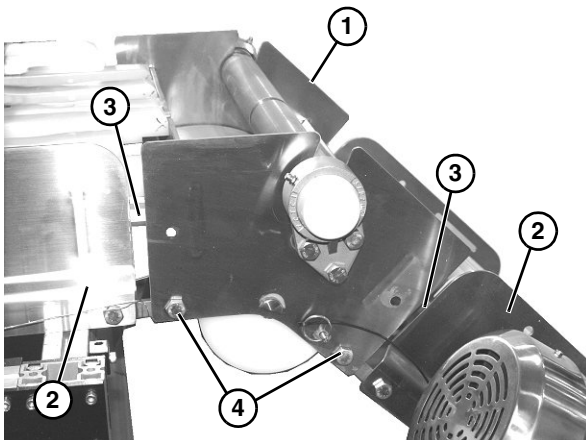


Figure 20

2. Attach lower knuckle (**Figure 21, item 1**) to frame (**Figure 21, item 2**) with hex rods (**Figure 21, item 3**), and bolts (**Figure 21, item 4**).

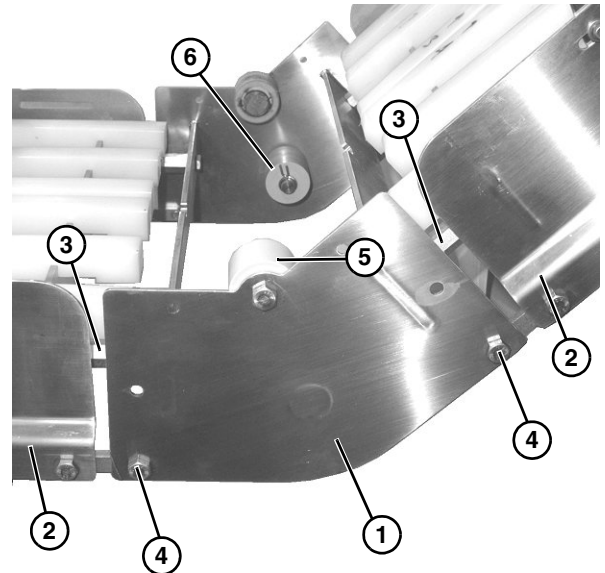


Figure 21

3. Install hold down sleeve bearing (**Figure 21, item 5**), and secure with cap screw. Repeat on opposite side.
4. Install return sleeve bearing (**Figure 21, item 6**), and secure with clamp. Repeat on opposite side.

Belt

1. Slide belt (**Figure 22, item 1**) over knuckles and onto top and bottom of wear strips.

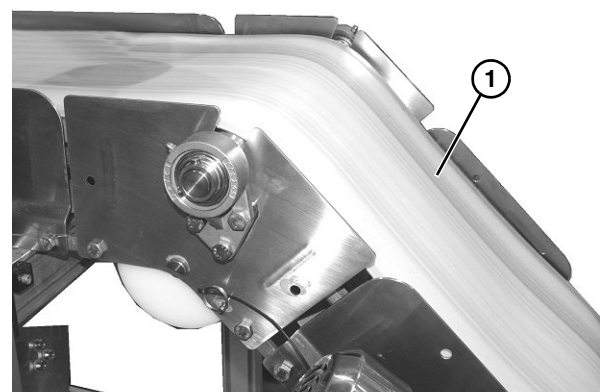


Figure 22

Installation

Guides

1. Install the belt return (Figure 23, item 1).

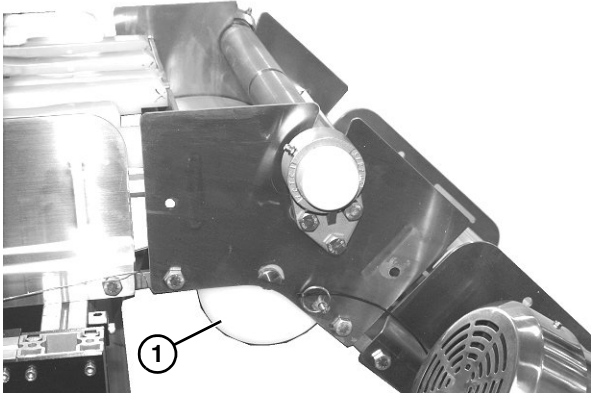


Figure 23

2. Slide the guides (Figure 24, item 2) onto the knuckle frame, and secure with two pull pins (Figure 24, item 3).

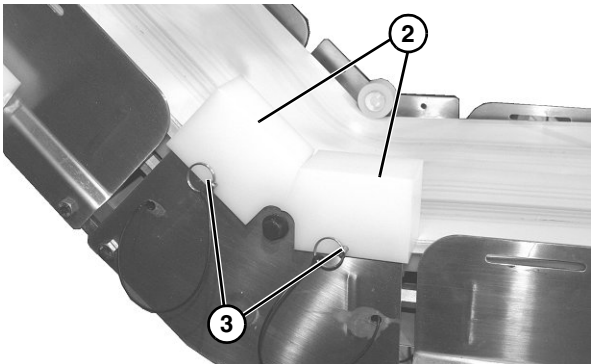


Figure 24

3. Repeat for opposite side of conveyor.

All Conveyors

Belt Return Installation

Flat Belt

Typical Flat Belt Components (Figure 25)

1	Flat belt returns
---	-------------------

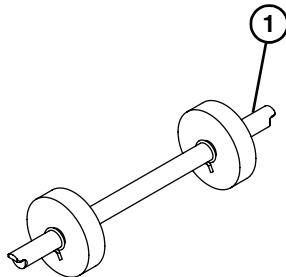


Figure 25

1. Slide the return shaft (Figure 26, item 1) up and through the large slot (Figure 26, item 2) in the frame.

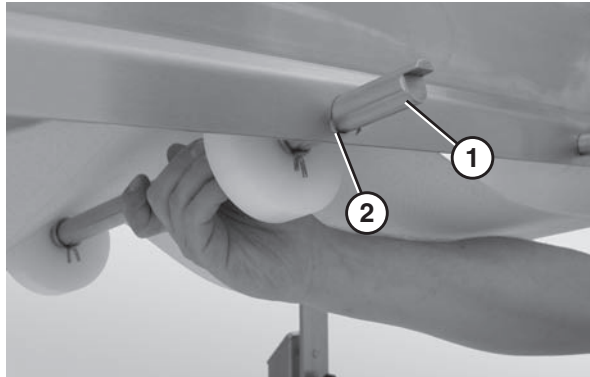


Figure 26

2. Push up on the return shaft (Figure 27, item 1) and slide the notched end of the shaft through the small slot (Figure 27, item 2) on the opposite side of the frame.

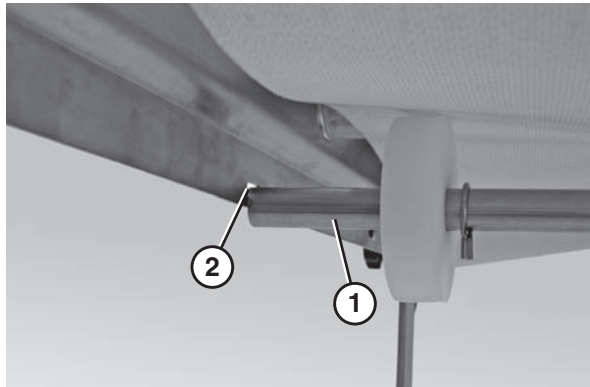


Figure 27

3. Repeat the procedure for all other belt returns.

Cleated Belt

Typical Cleated Belt Components (Figure 28)

1	Cleated belt returns
---	----------------------

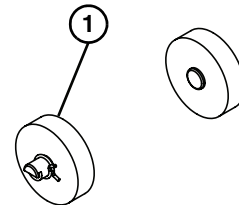


Figure 28

1. Insert the notched end of the return shaft (**Figure 29, item 1**) through the small hole (**Figure 29, item 2**) in the inside of the conveyor frame.

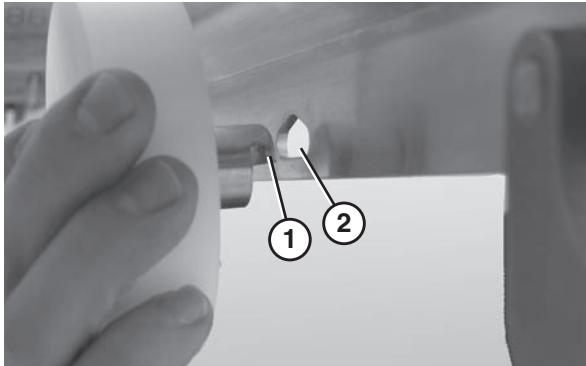


Figure 29

2. Repeat the procedure for all other belt returns.

Scraper Installation

Typical Scraper Components (**Figure 30**)

1	Scraper adjust plate
2	Scraper shaft
3	Scraper bar holder
4	UHMW scraper
5	Scraper mount plate
6	Pull pin
7	Handle
8	M10-1.50 hex head cap screws (x4)

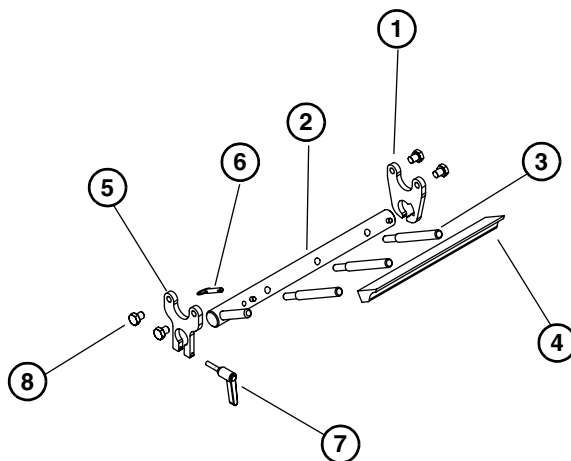


Figure 30

1. Attach the scraper adjust plate (**Figure 30, item 1**) and the scraper mount plate (**Figure 30, item 5**) to the frame using four M10-1.5 x 12mm hex head cap screws.

2. Slide the notched end of the scraper shaft (**Figure 31, item 1**) through the adjustment plate (**Figure 31, item 2**).

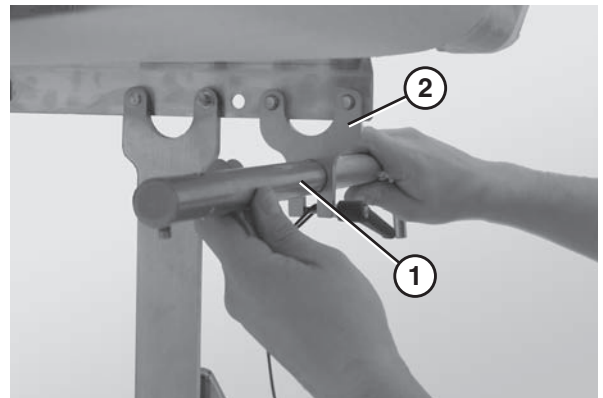


Figure 31

3. Insert the notched end of the scraper shaft (**Figure 32, item 1**) so that it is situated within the groove in the mounting plate (**Figure 32, item 2**).

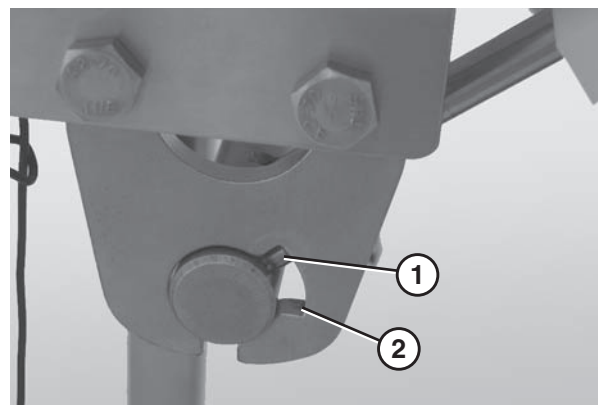


Figure 32

4. Attach the scraper bar holders (**Figure 33, item 1**) to the scraper shaft (**Figure 33, item 2**).

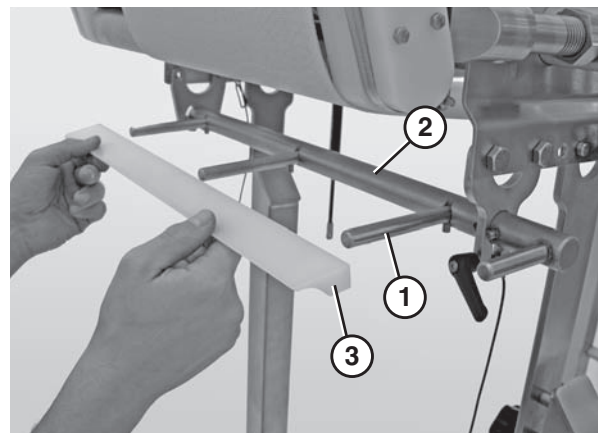


Figure 33

5. Attach the UWHM scraper (**Figure 33, item 3**) to the scraper bar holders (**Figure 33, item 1**).

Installation

6. Insert the pin (Figure 34, item 1) to lock the scraper bar in place (Figure 34, item 2).

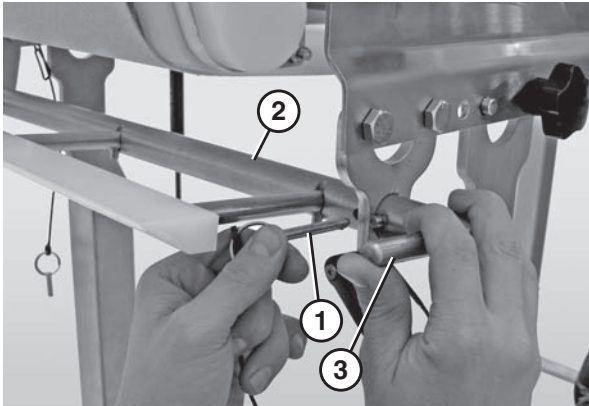


Figure 34

7. Adjust the scraper to the desired position using the scraper bar handle (Figure 34, item 3).

CAUTION

Apply minimal pressure between the scraper (Figure 35, item 1) and the belt (Figure 35, item 2).

Positioning the scraper so that it is digging into the belt will increase resistance, cause unnecessary strain on the motor and lead to premature belt failure.

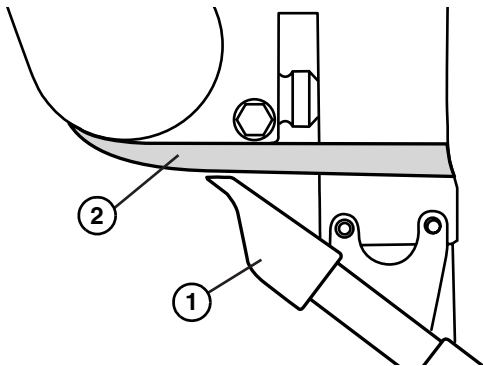


Figure 35

8. Secure the scraper by tightening the handle (Figure 36, item 1).

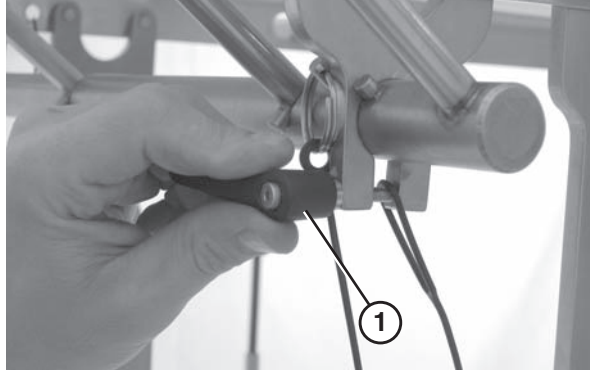


Figure 36

Stand Installation

Typical Stand Components (Figure 37)

1	Conveyor
2	Stand
3	Knob
4	M10-1.50 x 12 mm hex head cap screws (x2)

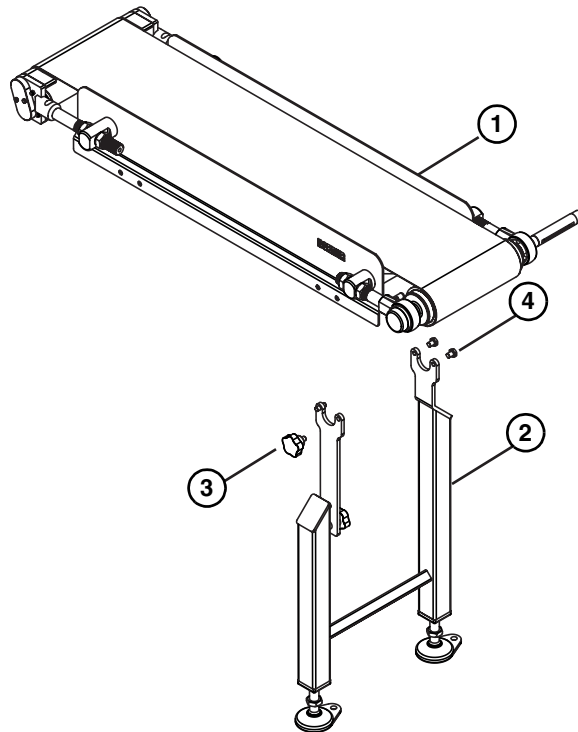


Figure 37

1. Properly support the conveyor.

2. Attach the non-quick release side of the stand (**Figure 38, item 1**) to the MOTOR SIDE of the conveyor (**Figure 38, item 2**) using two M10-1.5 x 12mm hex head cap screws (**Figure 38, item 3**).

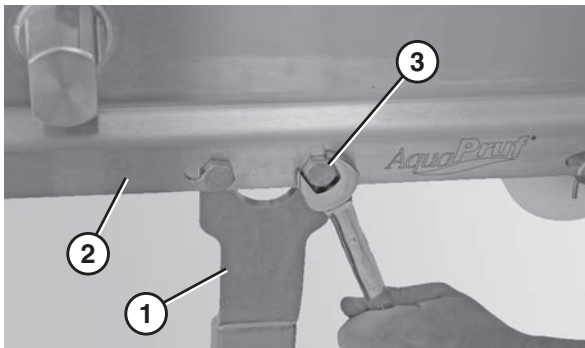


Figure 38

3. Attach the quick-release arm to the stand with the knob (**Figure 37, item 3**).

For detailed assembly instructions, refer to the “Sanitary Support Stands Installation, Maintenance and Parts Manual.”

Drive Package Installation

Typical Motor Components (**Figure 39**) (end drive shown)

1	End drive package
2	Motor

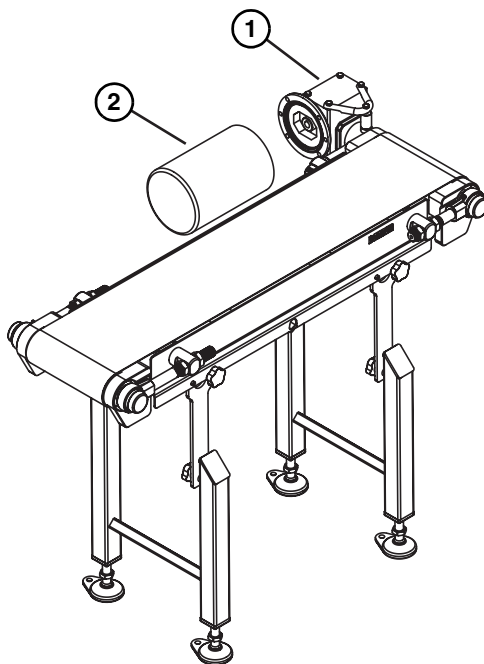


Figure 39

1. Attach the motor (**Figure 40, item 1**) to the gear reducer (**Figure 40, item 2**).

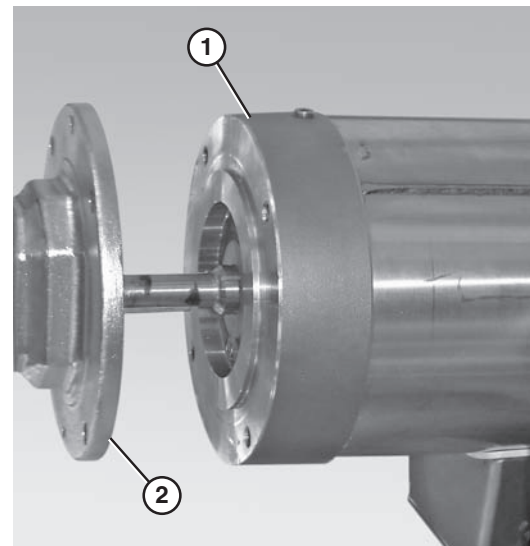


Figure 40

For detailed assembly instructions, refer to the “7600 Series End Drive Packages Installation, Maintenance and Parts Manual.”

Preventive Maintenance and Adjustment

Required Tools

- 14 mm wrench (or adjustable wrench)
- 4 mm or 5/32 in. hex wrench (for bearing shaft assembly fasteners)
- 8 mm wrench
- 10 mm wrench
- 17 mm wrench
- 3 mm hex wrench
- 5 mm hex wrench

Checklist

- Keep service parts on hand. Refer to the "Service Parts" section starting on page 30 for recommendations.
- Replace any worn or damaged parts.

Cleaning

Routine Cleaning

⚠ WARNING

SEVERE HAZARD! LOCK OUT POWER before removing guards or performing maintenance. Exposed moving parts can cause serious injury.

Dorner recommends cleaning the inside and the outside of the conveyor on a daily basis. Refer to the following steps to access the inside of the conveyor.

Standard Conveyors

1. Remove the guides, if applicable, by removing the pull pins (Figure 41, item 1) that connect the guide (Figure 41, item 2) to the frame.

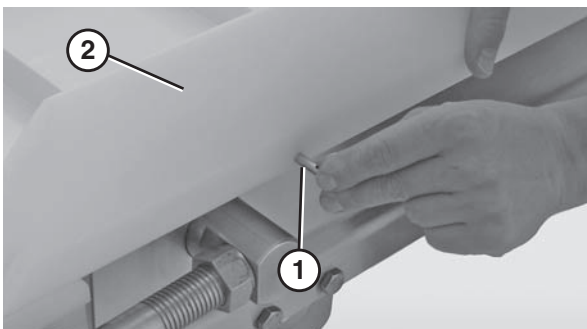


Figure 41

2. Place the tip up tail (Figure 42, item 1) in the up position.

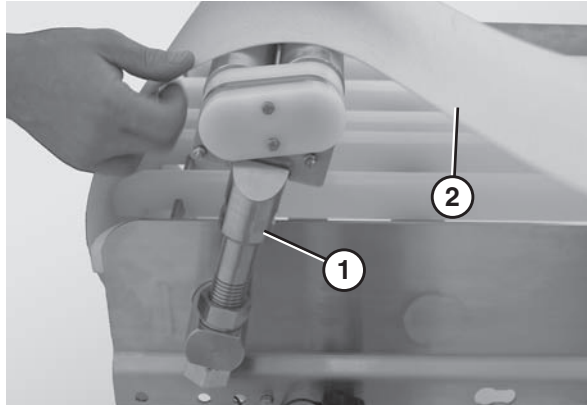


Figure 42

3. Lift up on the belt (Figure 42, item 2).

Conveyors with Lifters

1. Remove the guides, if applicable, by removing the pull pins (Figure 43, item 1) that connect the guide (Figure 43, item 2) to the frame.
2. Place the tip up tail in the up position.
3. Use the lifter handle (Figure 43, item 1) to raise the belt (Figure 43, item 2).

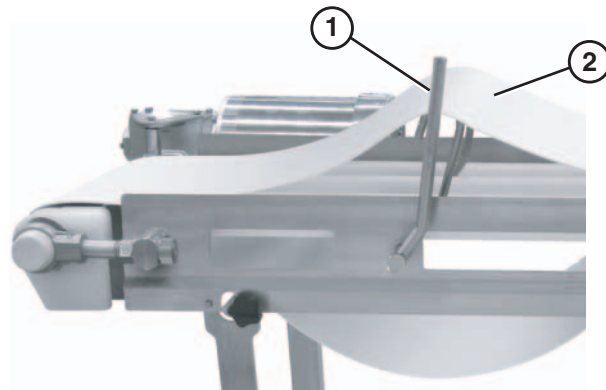


Figure 43

CAUTION

DO NOT submerge or soak bearing assemblies. This will reduce the life of the bearing.

Preventive Maintenance and Adjustment

Periodic Cleaning

Dorner recommends complete disassembly of the conveyor periodically for thorough cleaning.

For conveyor disassembly and reassembly instructions:

- Refer to “Conveyor Belt Replacement” on page 17.
- Refer to “Spindle Removal” on page 20.

Lubrication

Conveyor Bearings

Conveyor bearing lubrication is required. Dorner recommends using an H-1 food grade grease.

NOTE

Although bearings are sealed, re-greasing is recommended to increase bearing life. An H-1 food grade grease is recommended. The frequency of bearing re-greasing is dependent upon the application in which the conveyor is being used. Frequency of re-greasing will increase with the frequency of conveyor washing.

1. Add grease to the bearing using the zerk fitting (**Figure 44, item 1**) on the exterior of the bearing shaft assembly.

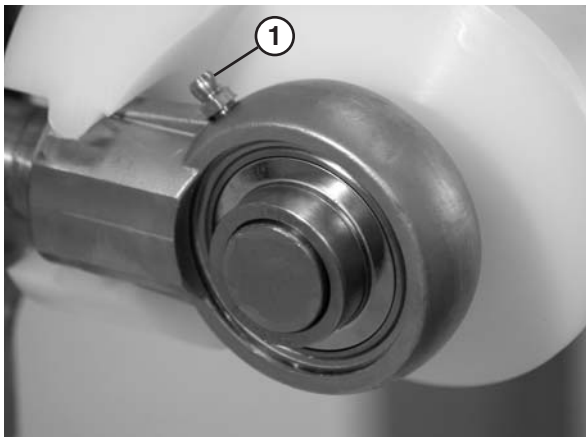


Figure 44

2. Replace the bearings if they become worn.

Wearstrips and Belt Returns

Replace the wearstrips and belt returns if they become worn.

For wearstrip and belt return installation instructions:

- Refer to “Wear Strip Installation” on page 8.
- Refer to “Belt Return Installation” on page 12.

Scraper

Replace the UHMW scraper if it becomes worn.

Refer to “Scraper Installation” on page 13 for scraper installation instructions.

Maintaining the Conveyor Belt

Troubleshooting

NOTE

Visit www.dorner.com for complete list of troubleshooting solutions.

Inspect conveyor belt for:

- Surface cuts or wear

Damage to the belt, surface cuts and / or wear indicate:

- Sharp or heavy parts impacting belt
- Jammed parts
- Accumulated dirt
- Foreign material inside the conveyor
- Improperly positioned accessories
- Excessive load on belt
- Dirt impacted on spindle
- Excessive or improper side loading
- Improper tracking

Skipping indicates:

- Excessive load on belt
- Worn spindle or impacted dirt on drive spindle
- Improper tracking

Conveyor Belt Replacement

⚠ WARNING



SEVERE HAZARD!

LOCK OUT POWER before removing guards or performing maintenance. Exposed moving parts can cause serious injury.

Preventive Maintenance and Adjustment

Conveyors with Guides

1. Remove the pull pins (Figure 45, item 1) that connect the guide (Figure 45, item 2) to the frame.

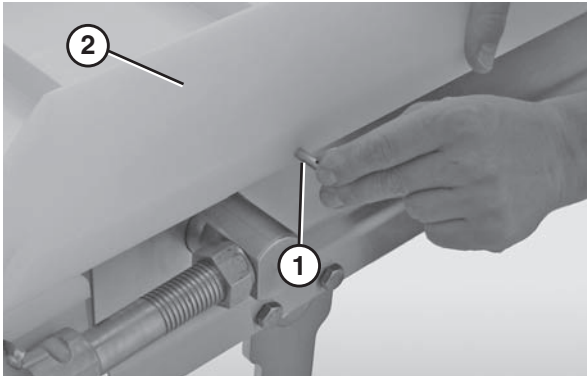


Figure 45

2. Remove the guide (Figure 46, item 1) from the conveyor (Figure 46, item 2).

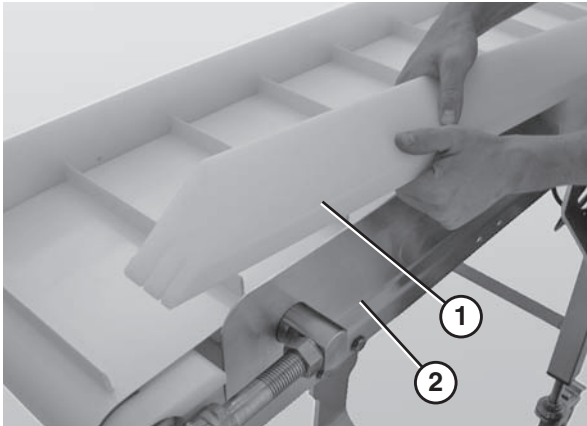


Figure 46

Standard Belts

1. Place the idler tail (Figure 47, item 1) in the UP position.

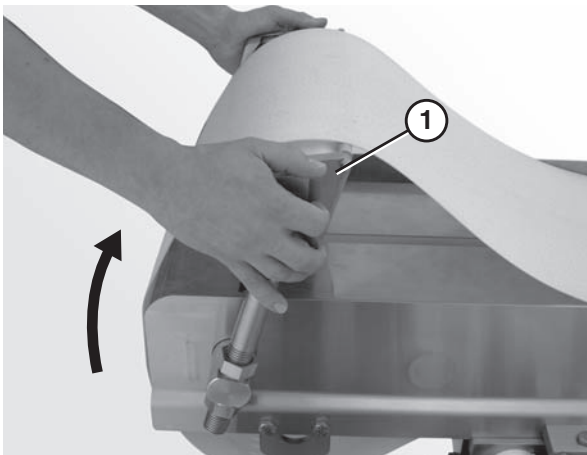


Figure 47

⚠ WARNING

SEVERE HAZARD!
<ul style="list-style-type: none">• ONLY DISCONNECT ONE PIVOT BRACKET AT A TIME AND ONLY IF THE STANDS ARE BOLTED TO THE FLOOR.• Disconnecting more than one pivot bracket at a time or not bolting the stands to the floor can cause the conveyor to tip and may result in serious injury.

2. Lower the quick release arm (Figure 48, item 1) on one of the stands. *Note: if the conveyor is not equipped with Quick Release (QR Type) stands, it will be necessary to remove the entire stand.* For detailed instructions, refer to the “Sanitary Support Stands Installation, Maintenance and Parts Manual.”

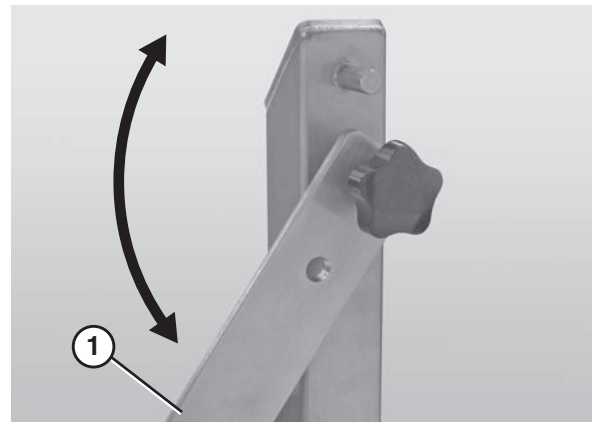


Figure 48

3. Slide the old belt (Figure 49, item 1) off the conveyor frame (Figure 49, item 2).

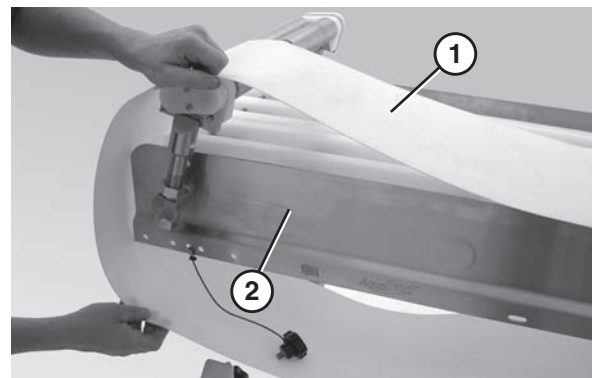


Figure 49

4. Secure the quick release arm on the stand and repeat steps 2 and 3 until the entire belt is off the conveyor.
5. Replace the old belt with a new one. Refer to “Belt Installation” on page 9.

Preventive Maintenance and Adjustment

Conveyor Belt Tensioning

⚠ WARNING



SEVERE HAZARD!

LOCK OUT POWER before removing guards or performing maintenance. Exposed moving parts can cause serious injury.

CAUTION

Over-tensioning of conveyor may stretch conveyor belt and reduce bearing life.

1. Loosen the back nuts (**Figure 50, item 1**) on both sides of the idler tail shaft.

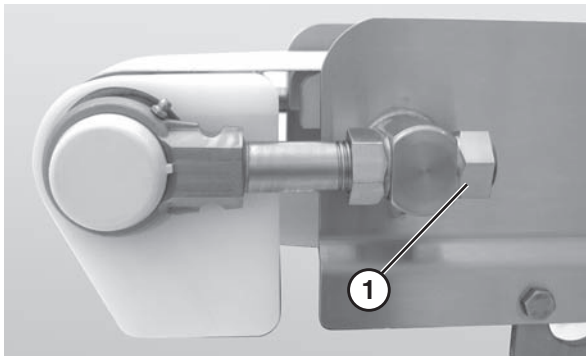


Figure 50

2. Turn the front nuts closest to the tail (**Figure 51, item 1**) clockwise in order to increase tension on the belt.

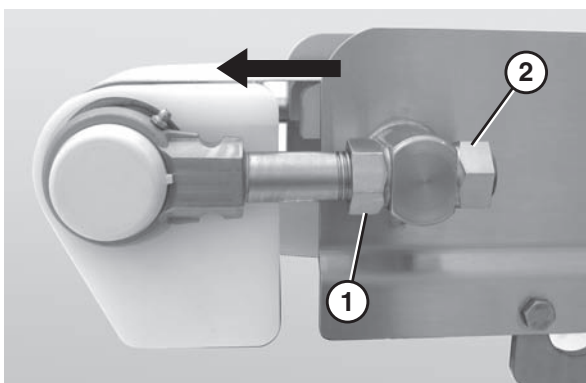


Figure 51

CAUTION

Ensure that there is at least 6" (152 mm) from the frame to the end of the tail.

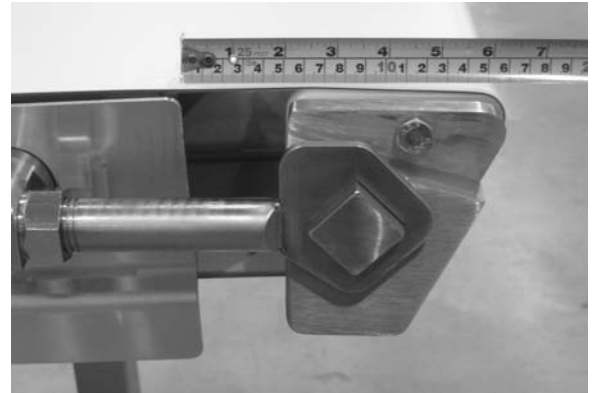


Figure 52

3. Tighten the back nuts (**Figure 51, item 2**) to secure the tail.

Conveyor Belt Tracking

Adjust the lengths of the idler tail shafts to correct conveyor belt tracking.

For v-guide belts, track until the bulge in the conveyor belt (**Figure 53, item 1**) lies flat.

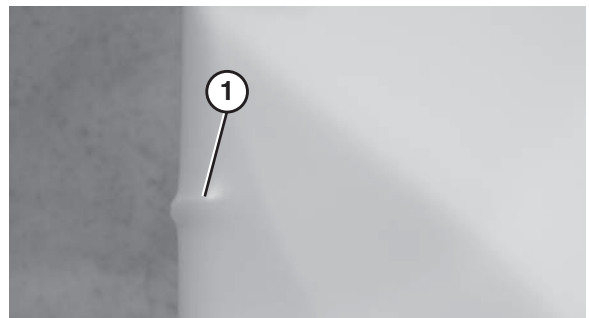


Figure 53

To adjust conveyor belt tracking:

1. Loosen the back nut (**Figure 51, item 2**) on the idler tail shaft that needs to be adjusted.
2. Tighten or loosen the front nut (**Figure 51, item 1**) on the idler tail shaft adjust the belt tracking.

CAUTION

Ensure that there is at least 6" (152 mm) from the frame to the end of the tail.

Preventive Maintenance and Adjustment

- a. Loosen the nut to shorten the length of the idler tail shaft and bring the belt closer to that side of the conveyor (**Figure 54**).

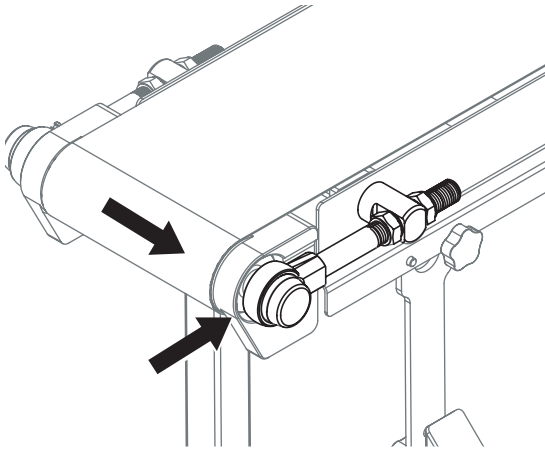


Figure 54

- b. Tighten the nut to increase the length of the idler tail shaft and move the belt away from that side of the conveyor (**Figure 55**).

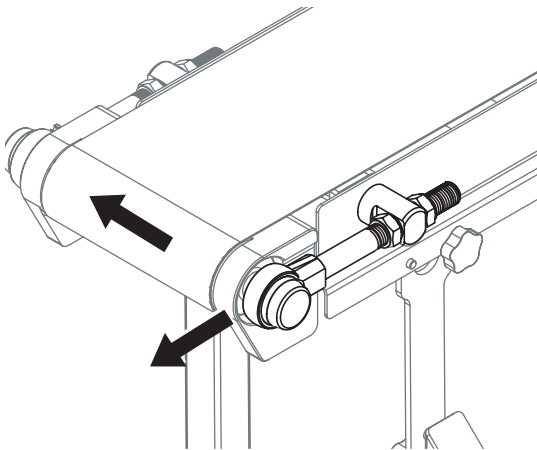


Figure 55

3. Tighten the back nut on the idler tail shaft when finished.

Spindle Removal

⚠ WARNING



SEVERE HAZARD!
LOCK OUT POWER before removing guards or performing maintenance. Exposed moving parts can cause serious injury.

1. Remove the conveyor belt to access the spindles. Refer to “Conveyor Belt Replacement” on page 17.
2. Remove the spindle by following the instructions for the specific spindle type:
 - A - Drive Spindle Removal
 - B - Idler Spindle Removal
 - C - .5" Nose Bar Idler Spindle Removal
 - D - 1" Nose Bar Idler Spindle Removal
 - E - 1.875" Nose Bar Idler Spindle Removal

A - Drive Spindle Removal

⚠ WARNING



PUNCTURE HAZARD!
Handle drive shaft keyway with care. It may be sharp and could puncture the skin, causing serious injury.

1. Remove the drive spindle cover (**Figure 56, item 1**).

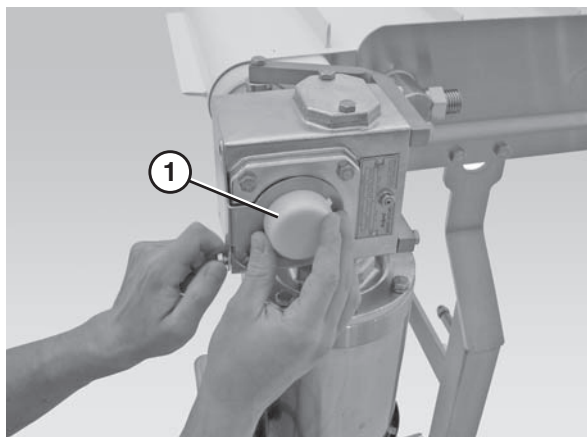


Figure 56

Preventive Maintenance and Adjustment

2. Use a 5 mm hex wrench to loosen the outside button head screws (**Figure 57, item 1**) and the inside button head screws (**Figure 57, item 2**) that connect the gearmotor to the drive spindle.

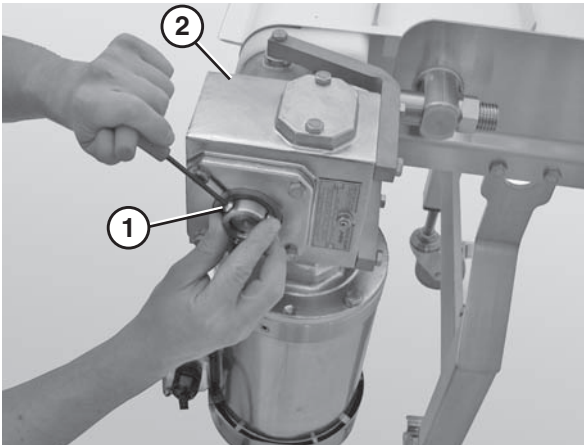


Figure 57

4. Remove the bolts (**Figure 59, item 1**) that connect the gear reducer (**Figure 59, item 2**) to the motor support bracket (**Figure 59, item 3**) and slide the gear reducer off the drive spindle.

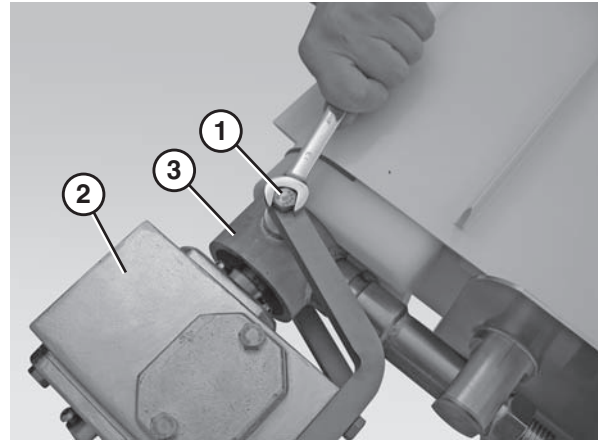



Figure 59

⚠ WARNING

CRUSH HAZARD!
<ul style="list-style-type: none">• SUPPORT MOTOR PRIOR TO LOOSENING THE BOLTS.• Loosening motor bolts may cause it to drop down, causing serious injury.

3. Remove the bolts (**Figure 58, item 1**) that connect the motor (**Figure 58, item 2**) to the gear reducer (**Figure 58, item 3**) and remove the motor (vertical mount drive package shown).

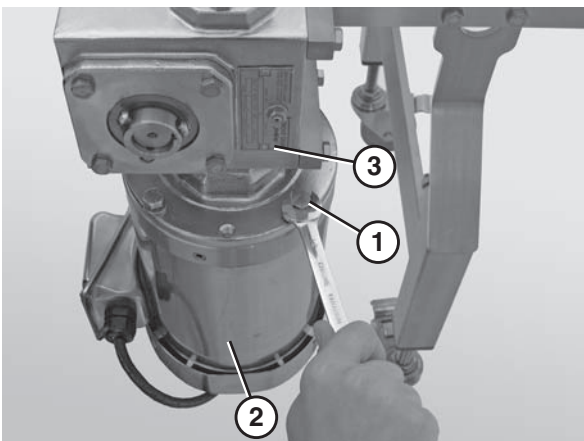


Figure 58

5. Remove the back nut (**Figure 60, item 1**) on both drive tail shafts (**Figure 60, item 2**).

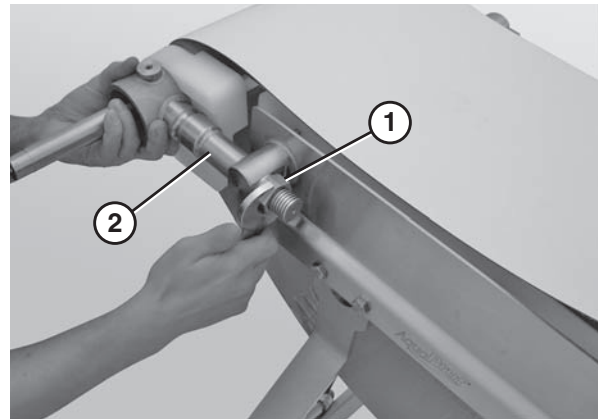


Figure 60

6. Slide the drive tail assembly (**Figure 61, item 1**) out of the take up blocks (**Figure 61, item 2**).

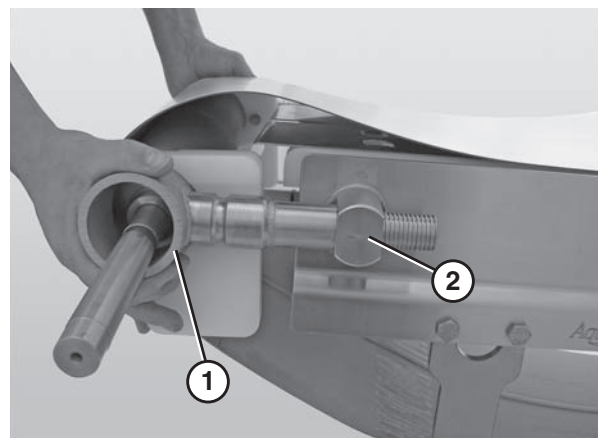


Figure 61

Preventive Maintenance and Adjustment

- Slide the motor support bracket (**Figure 62, item 1**) off the drive spindle (**Figure 62, item 2**).

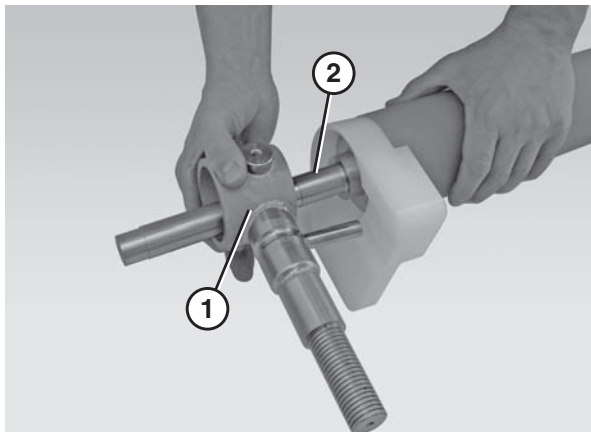


Figure 62

- Use a 4 mm hex wrench to loosen the bearing fasteners (**Figure 63, item 1**).

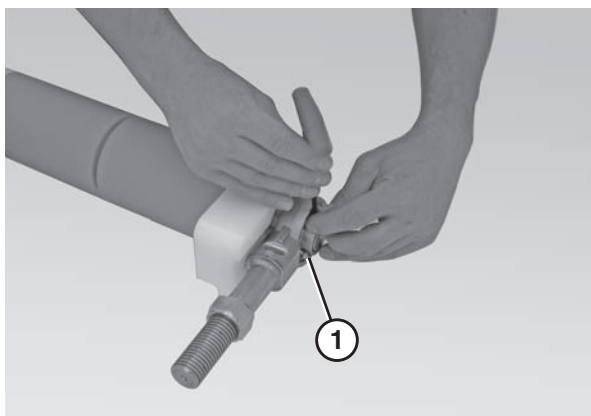


Figure 63

- Remove the bearing shaft (**Figure 64, item 1**) and both pinch guards (**Figure 64, item 2**).

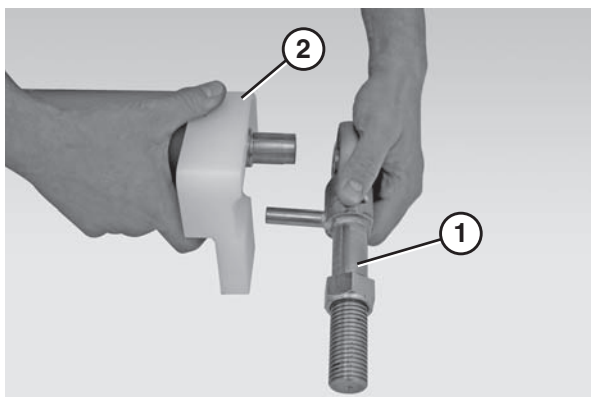


Figure 64

B - Idler Spindle Removal

- Remove the back nuts (**Figure 65, item 1**) on both idler tail shafts.

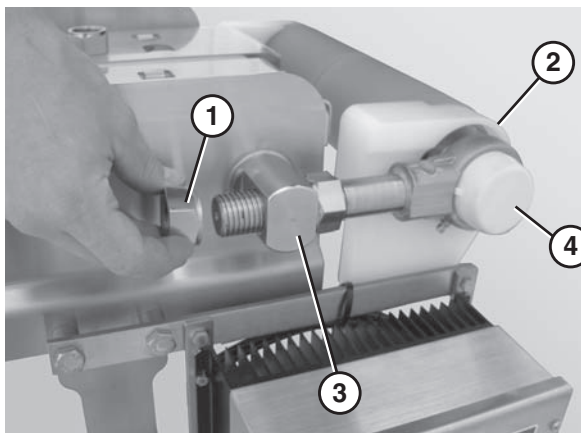


Figure 65

- Slide the idler tail assembly (**Figure 65, item 2**) out of the take up blocks (**Figure 65, item 3**).
- Remove the bearing covers (**Figure 65, item 4**).
- Use a 4 mm hex wrench to loosen the bearing shaft assembly fasteners (**Figure 66, item 1**).

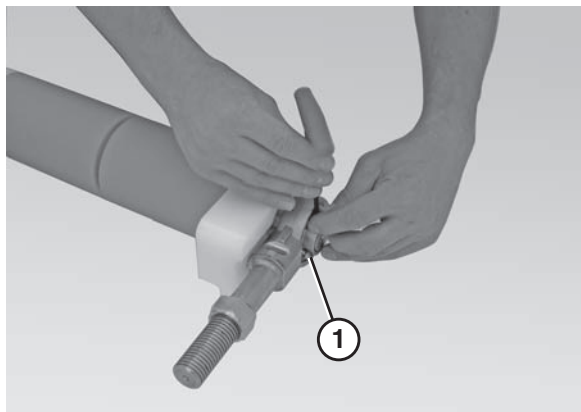


Figure 66

- Remove the bearing shafts (**Figure 67, item 1**) and both pinch guards (**Figure 67, item 2**).

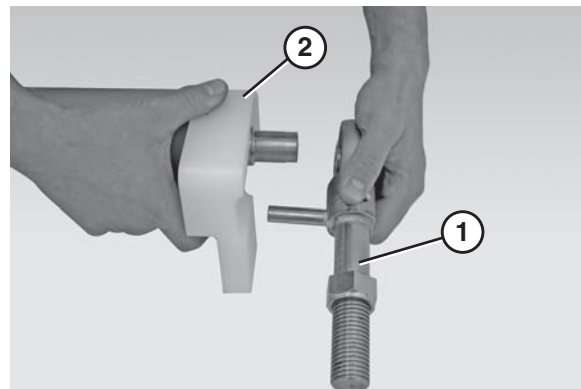


Figure 67

Preventive Maintenance and Adjustment

C - .5" Nose Bar Idler Spindle Removal

1. Remove the back nuts (**Figure 68, item 1**) on both discharge nose bar shafts.

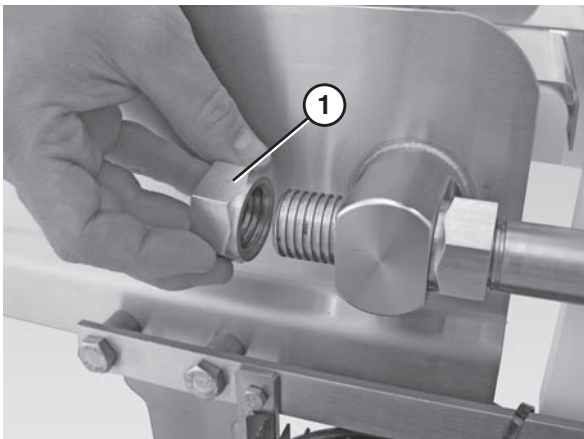


Figure 68

2. Slide the nose bar tail assembly (**Figure 69, item 1**) out of the take up blocks (**Figure 69, item 2**).

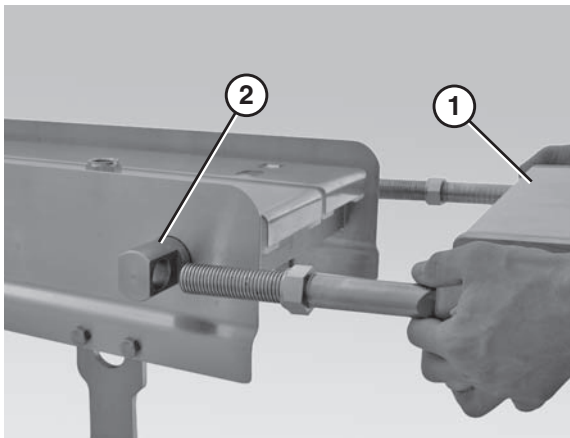


Figure 69

3. Slide the nose bar shafts (**Figure 70, item 1**) off of the nose bar weldment (**Figure 70, item 2**).

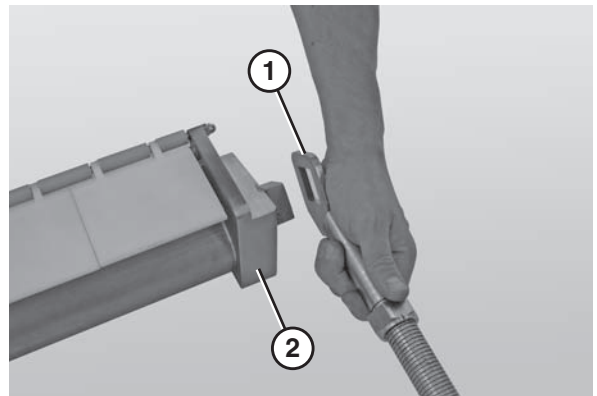


Figure 70

4. Use a 10 mm wrench to remove one of the acorn nuts (**Figure 71, item 1**) from the nose bar shaft.

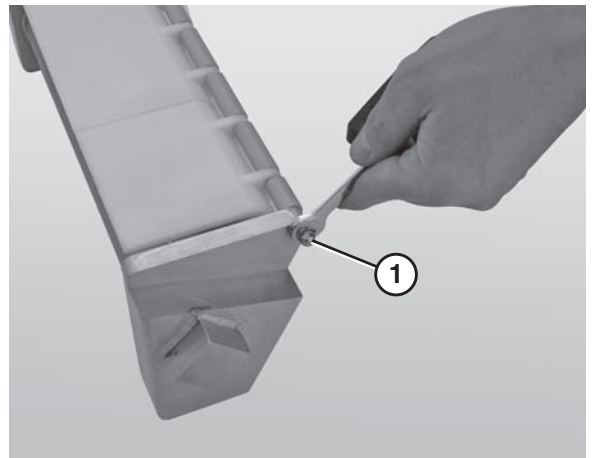


Figure 71

5. Remove the nose bar shaft (**Figure 72, item 1**), the rollers (**Figure 72, item 2**) and the roller mounts (**Figure 72, item 3**).

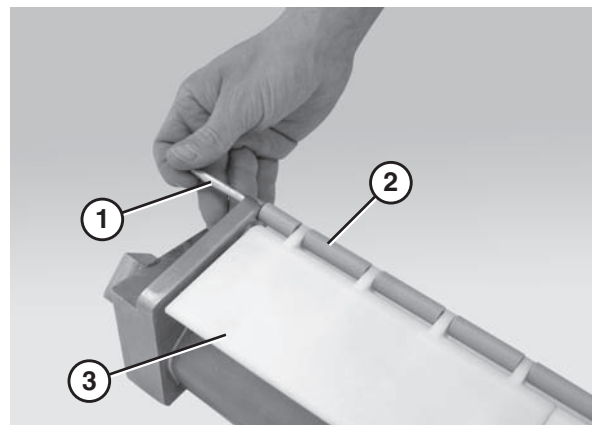


Figure 72

Preventive Maintenance and Adjustment

6. Remove the nose bar return spindle (Figure 73, item 1).

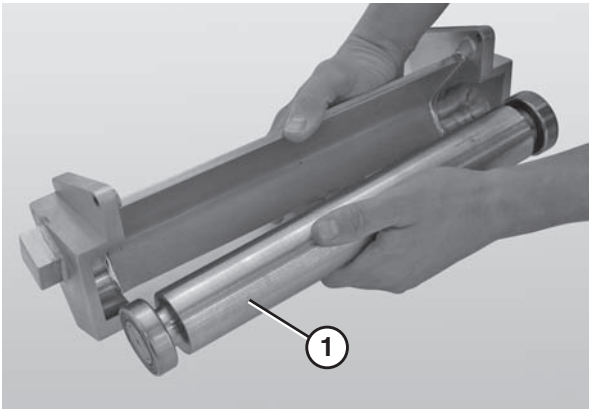


Figure 73

D - 1" Nose Bar Idler Spindle Removal

1. Remove the back nuts (Figure 74, item 1) on both discharge nose bar shafts.

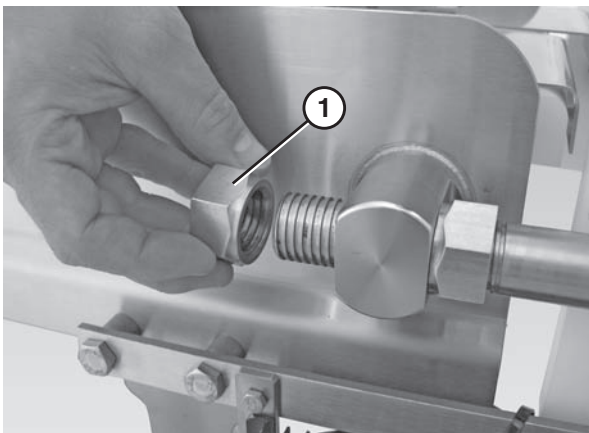


Figure 74

2. Slide the nose bar tail assembly (Figure 75, item 1) out of the take up blocks (Figure 75, item 2).

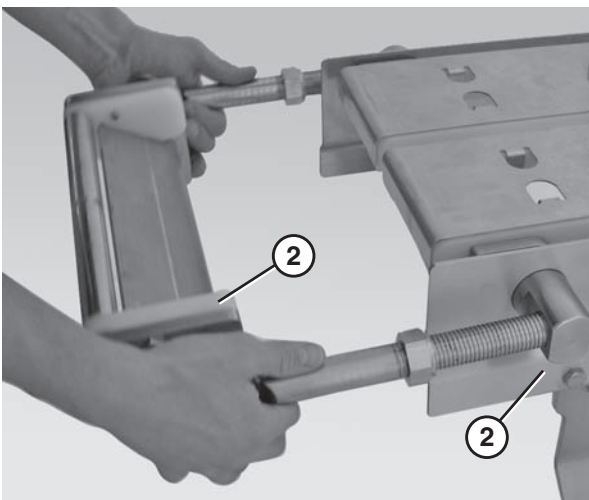


Figure 75

3. Slide the nose bar shafts (Figure 76, item 1) off of the nose bar weldment (Figure 76, item 2).

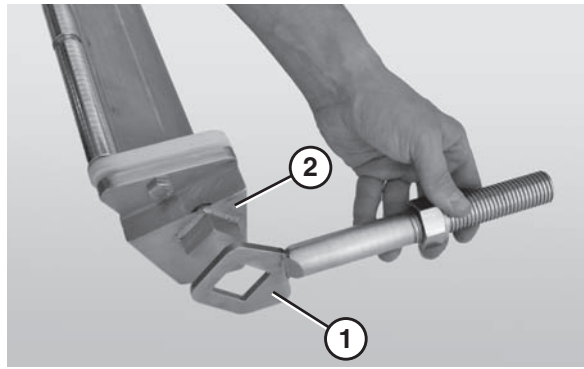


Figure 76

4. Use a 17 mm wrench to remove both pilot nose bolts (Figure 77, item 1) from the nose bar weldment (Figure 77, item 2).

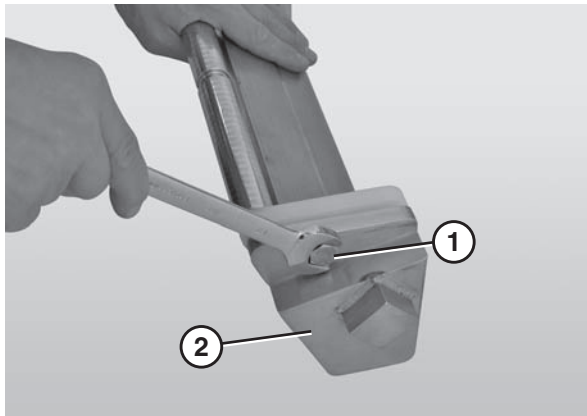


Figure 77

5. Slide the nose bar puck holders (Figure 78, item 1) and the nose bar spindle (Figure 78, item 2) off of the nose bar weldment (Figure 78, item 3).

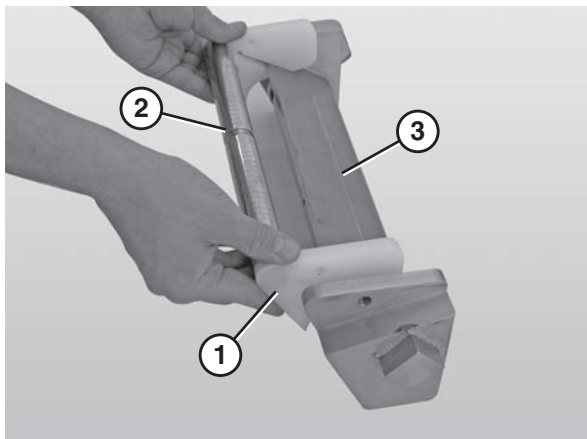


Figure 78

Preventive Maintenance and Adjustment

6. Remove the nose bar return spindle (Figure 79, item 1).

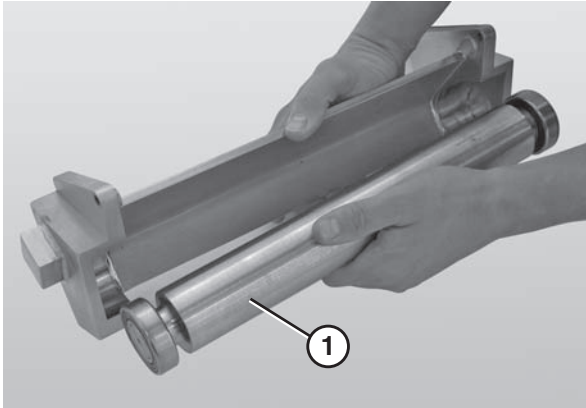


Figure 79

3. Remove the back nuts (Figure 82, item 1) on both discharge nose bar shafts.

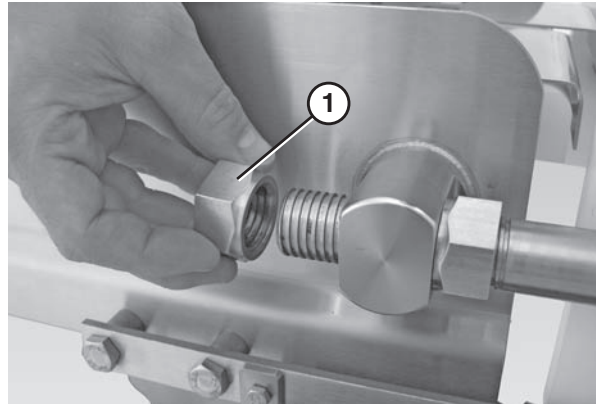


Figure 82

E - 1.875" Nose Bar Idler Spindle Removal

1. Slide the pinch guard blocks (Figure 80, item 1) off the nose bar spindles (Figure 80, item 2).

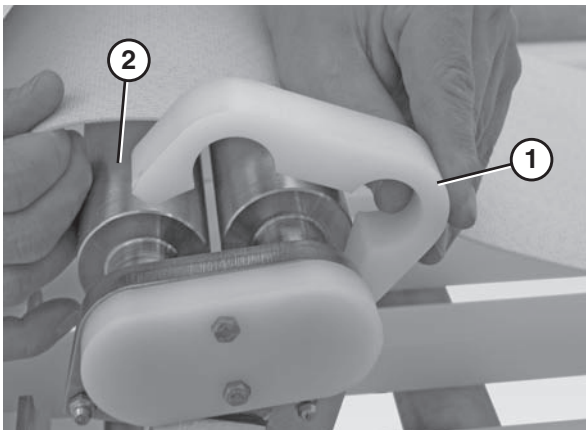


Figure 80

4. Slide the nose bar tail assembly (Figure 83, item 1) out of the take up blocks (Figure 83, item 2).

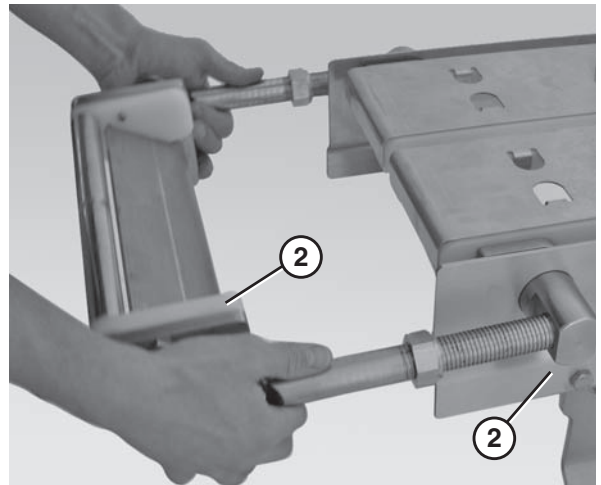


Figure 83

2. Remove the transfer bearing screws (Figure 81, item 1) and the cover (Figure 81, item 2) using an 8 mm wrench.

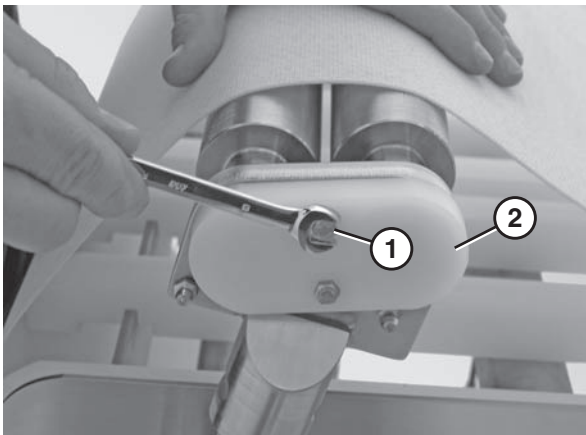


Figure 81

5. Use a 4 mm hex wrench to loosen all the bearing fasteners (Figure 84, item 1).

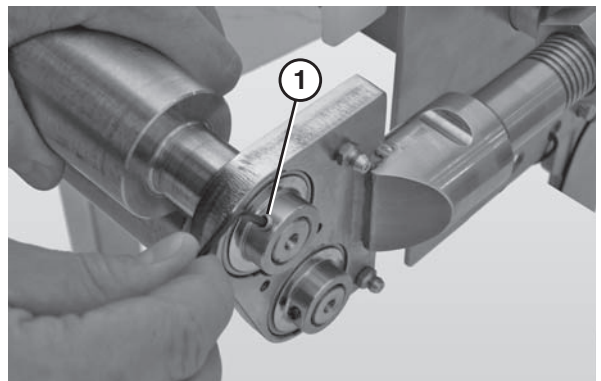


Figure 84

Preventive Maintenance and Adjustment

6. Slide the nose bar shafts (**Figure 85, item 1**) off the nose bar spindles (**Figure 85, item 2**).

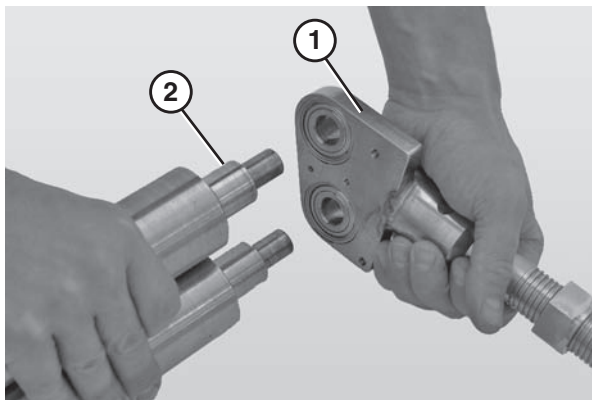


Figure 85

Reassembling Tail Assemblies

Refer to the "Service Parts" section starting on page 30 for complete diagrams and lists of all tail assembly components.

Gas Assist Replacement

1. Raise the tip up tail.
2. Remove the pull pin (**Figure 86, item 1**).

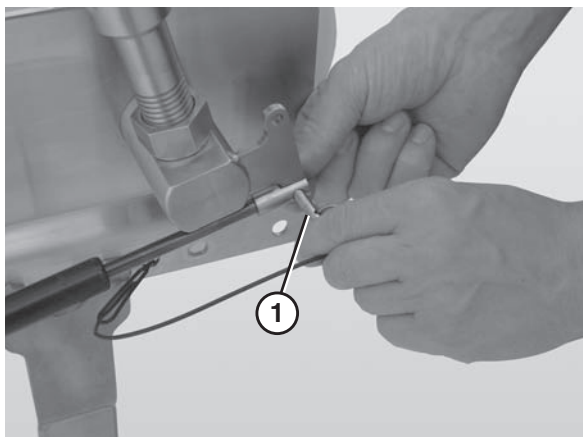


Figure 86

3. Remove the hex bolt (**Figure 87, item 1**) that connects the gas spring (**Figure 87, item 2**) to the gas spring standoff post (**Figure 87, item 3**).

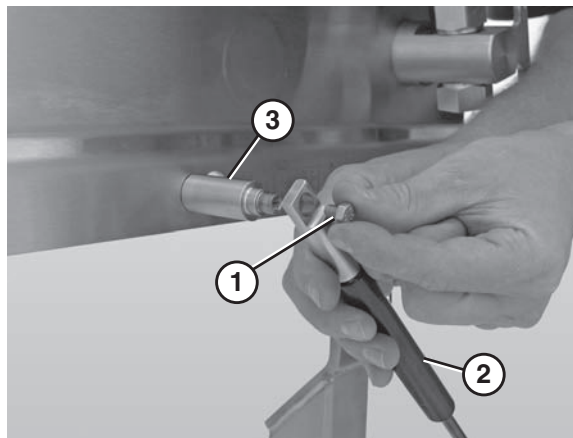


Figure 87

4. Remove the inside hex bolt that connects the standoff post (**Figure 87, item 3**) to the frame.

Bearing Replacement

Standard Bearings

1. Secure the bearing shaft.
2. Remove the bearing cover.
3. Insert the rod end of another bearing shaft through the bearing orifice (**Figure 88**).

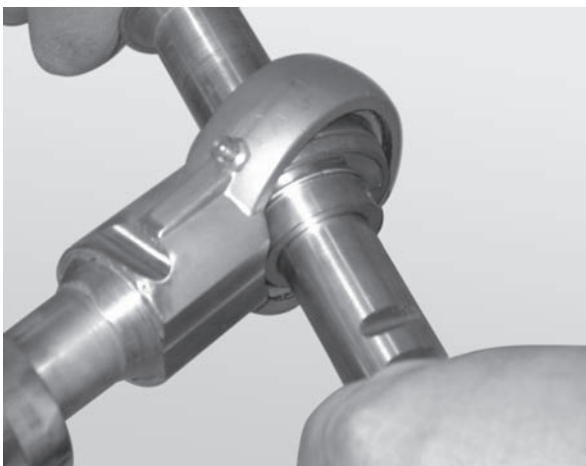


Figure 88

4. Apply lateral pressure to the rod until the bearing comes loose.

Preventive Maintenance and Adjustment

5. Remove the worn or damaged bearing (Figure 89, item 1).

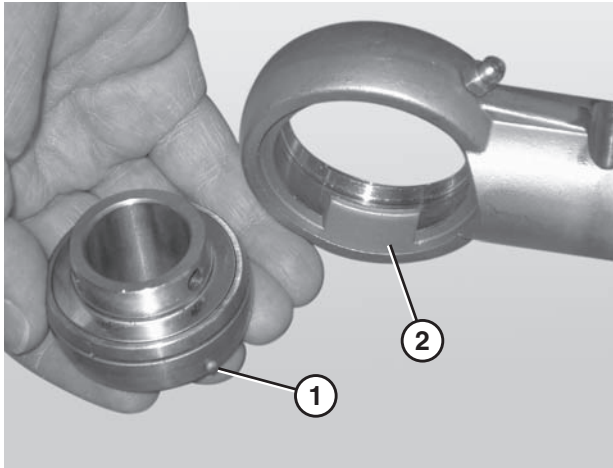


Figure 89

6. Replace the bearing.

NOTE

When inserting the new bearing, make sure the anti-rotation notch (Figure 89, item 1) on the bearing lines up with the groove inside the housing (Figure 89, item 2).

.5" and 1" Nose Bar Return Spindle Bearings

1. Remove the nose bar return spindle. Refer to "Spindle Removal" starting on page 20.
2. Using a bearing removal tool (Figure 90, item 1), remove the bearing (Figure 90, item 2).

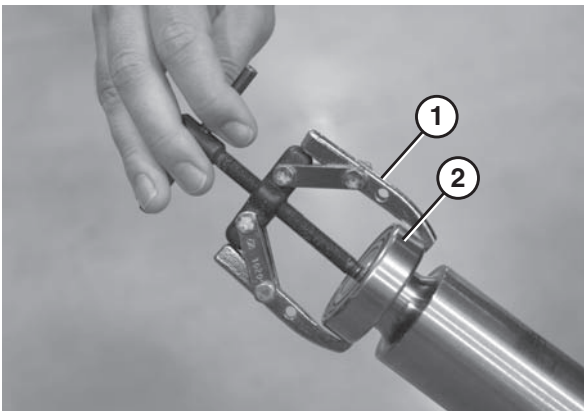


Figure 90

3. Replace the bearing.

1" Nose Bar Bearings

1. Remove the nose bar spindle. Refer to "Spindle Removal" starting on page 20.
2. Remove the nose bar puck holders (Figure 91, item 1).

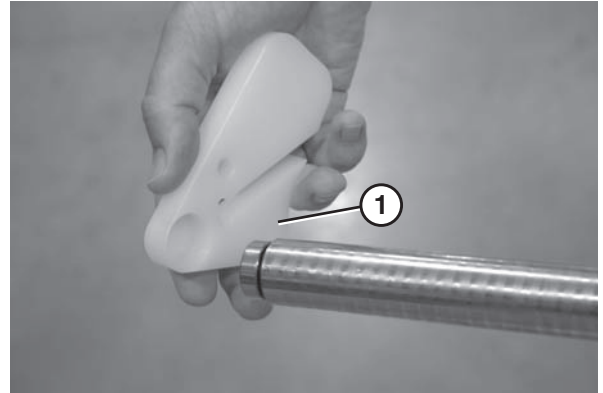


Figure 91

3. Using a bearing removal tool (Figure 92, item 1) remove the bearing (Figure 92, item 2).

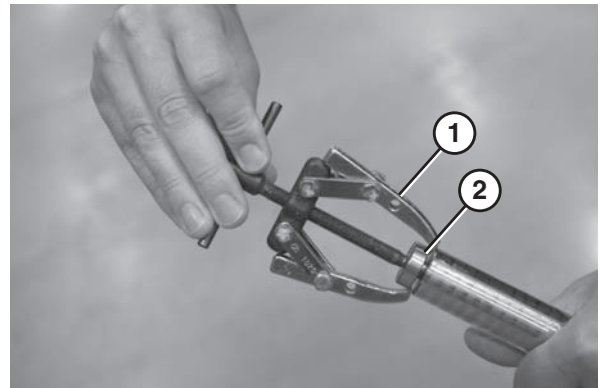


Figure 92

4. Replace the bearing.

Preventive Maintenance and Adjustment

1.875" Nose Bar Bearings

1. Remove the nose bar spindle. Refer to "Spindle Removal" starting on page 20.
2. Remove the bearing (Figure 93, item 1) from the nose bar shaft assembly (Figure 93, item 2).

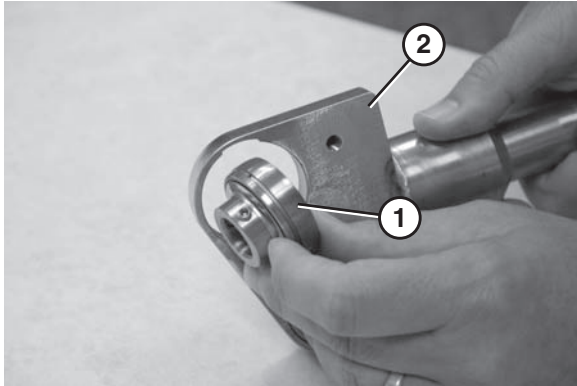


Figure 93

3. Replace the bearing.

LPZ Knuckles

Wearstrips and Belt Returns

Replace the wearstrips and belt returns if they become worn.

For wearstrip and belt return installation instructions:

- For wearstrips, replace as needed, making sure wear strips are situated securely in the frame slots.
- For belt returns, refer to "Belt Return Installation" on page 12.

Removal

1. Remove three bolts (Figure 94, item 1) on each side, and remove spindle assembly (Figure 94, item 2) from knuckle.

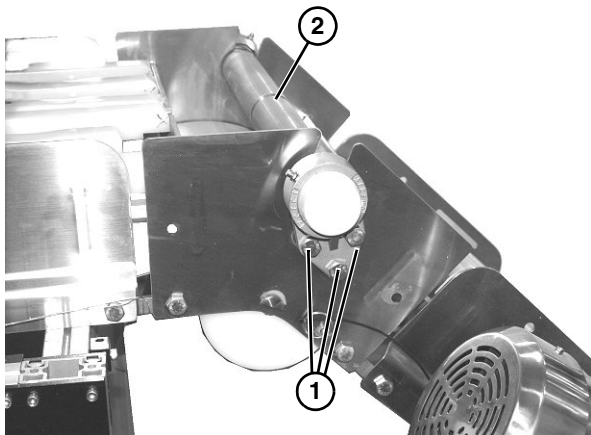


Figure 94

2. Remove the bearing cover (Figure 95, item 1).

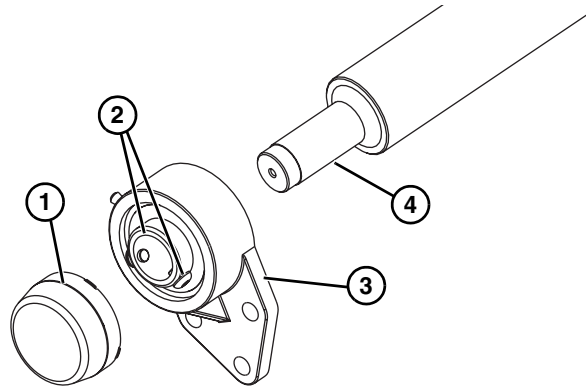


Figure 95

3. Use a hex wrench to loosen the bearing shaft assembly fasteners (Figure 95, item 2).
4. Slide the bearing flange assembly (Figure 95, item 3), off the spindle shaft end (Figure 95, item 4).

Installation

1. Slide the bearing flange assembly (Figure 96, item 1), onto the spindle shaft end (Figure 96, item 2).

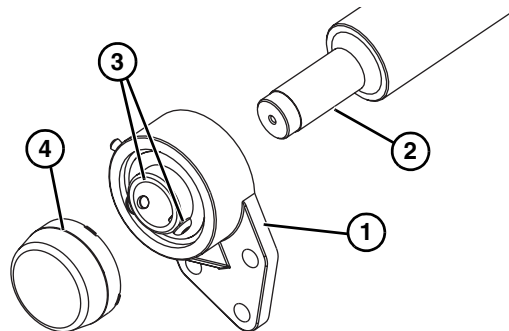


Figure 96

2. Use a hex wrench to tighten the bearing shaft assembly fasteners (Figure 96, item 3).
3. Install the bearing cover (Figure 96, item 4).
4. Insert spindle assembly (Figure 97, item 1) onto knuckle, and attach with three bolts (Figure 97, item 2).

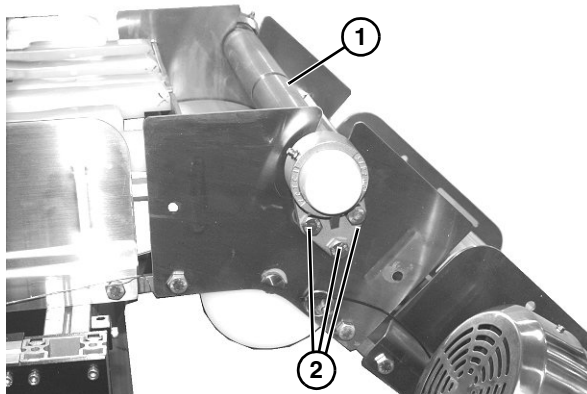



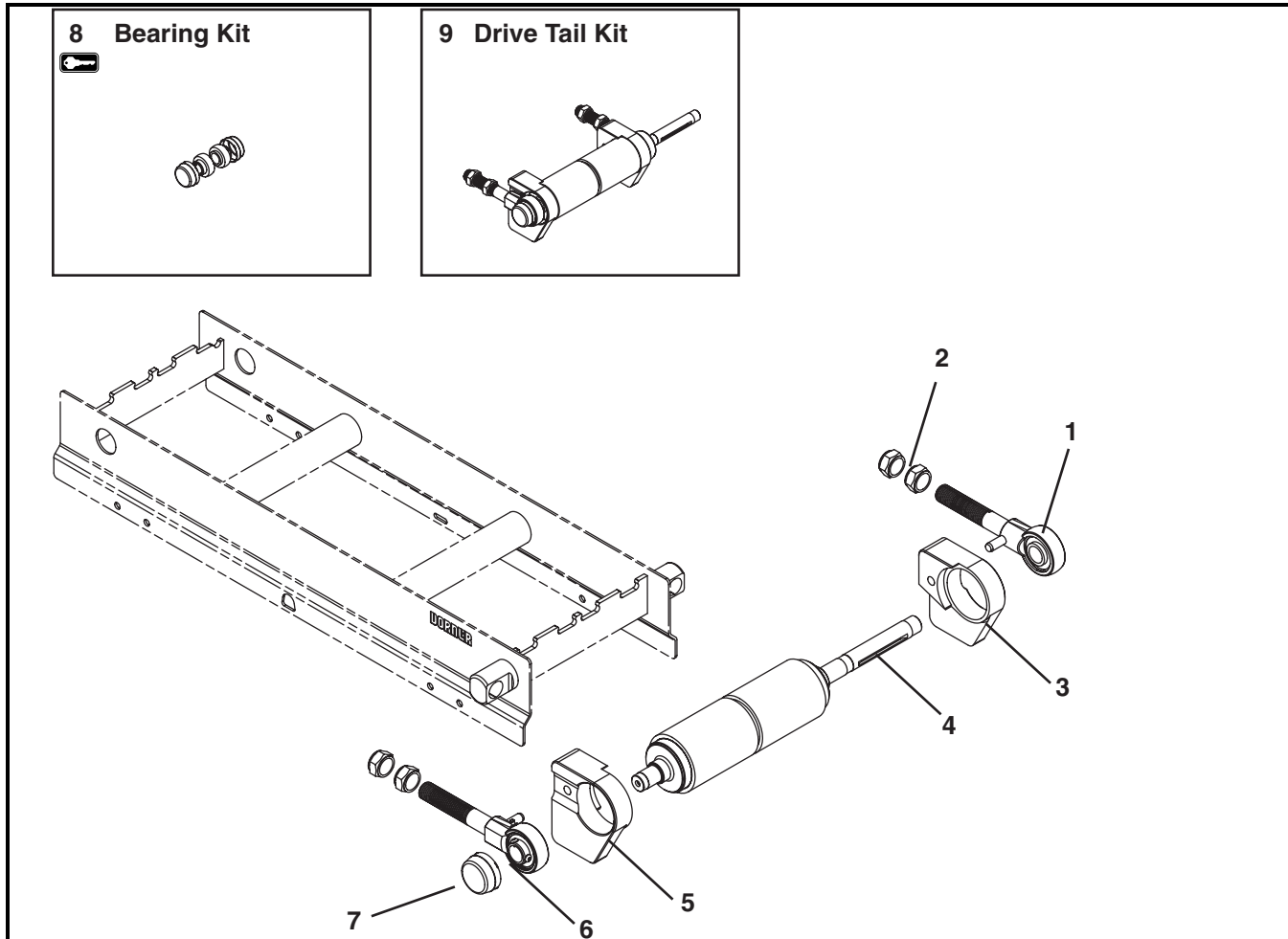
Figure 97

Service Parts


NOTE

For replacement parts other than those shown in this section, contact an authorized Dorner Service Center or the factory. Key Service Parts and Kits are identified by the Performance Parts Kits logo . Dorner recommends keeping these parts on hand.

Drive End Components



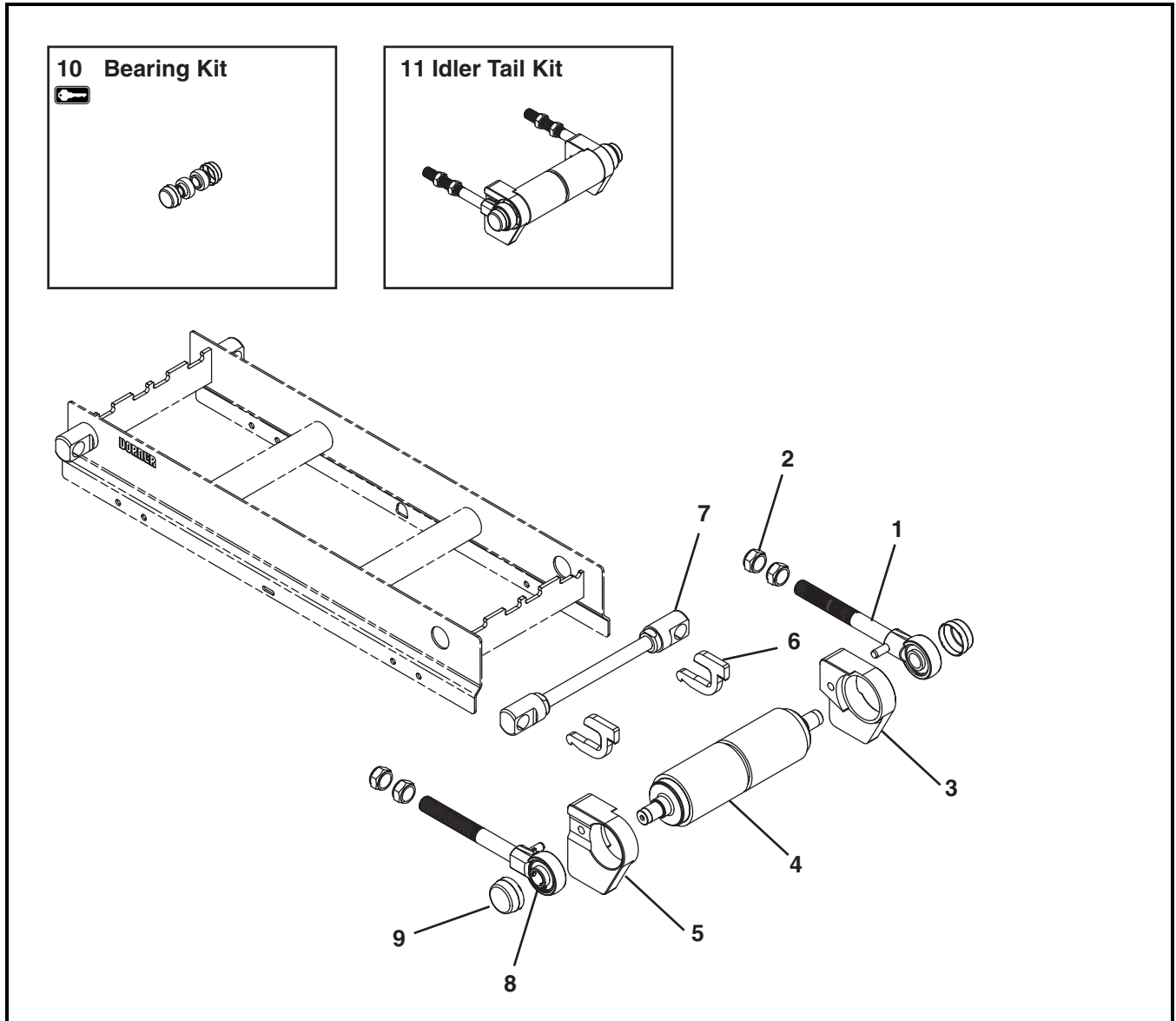
Item	Part Number	Description
1 *	500892	Drive Shaft Assembly with Bearing and Cover
2	500791	Nut
3	500694	Pinch Guard Right Hand
4	5103 WW	Drive Spindle
5	500695	Pinch Guard Left Hand
6	802-162	Bearing
7	807-1454	Bearing Cover

Item	Part Number	Description
8 	76BDK	Bearing Kit when Conveyor is ordered with a Dorner Gearmotor Mounting Package (Includes Items 6 and 7)
	76BCK	Bearing Kit when Conveyor is ordered without a Dorner Gearmotor Mounting Package (Includes Items 6 and 7)
9	76DDT- WW	Drive Tail Kit when Conveyor is ordered with a Dorner Gearmotor Mounting Package (Includes Items 1 through 5 and 7)
	76DCT- WW	Drive Tail Kit when Conveyor is ordered without a Dorner Gearmotor Mounting Package (Includes Items 1 through 5 and 7)

~~WW~~ = Conveyor width ref: 06 - 60 in 02 increments

* When the conveyor is ordered with a Dorner gearmotor mounting package a shaft assembly is replaced with a gearmotor mounting bracket.

Idler End Components



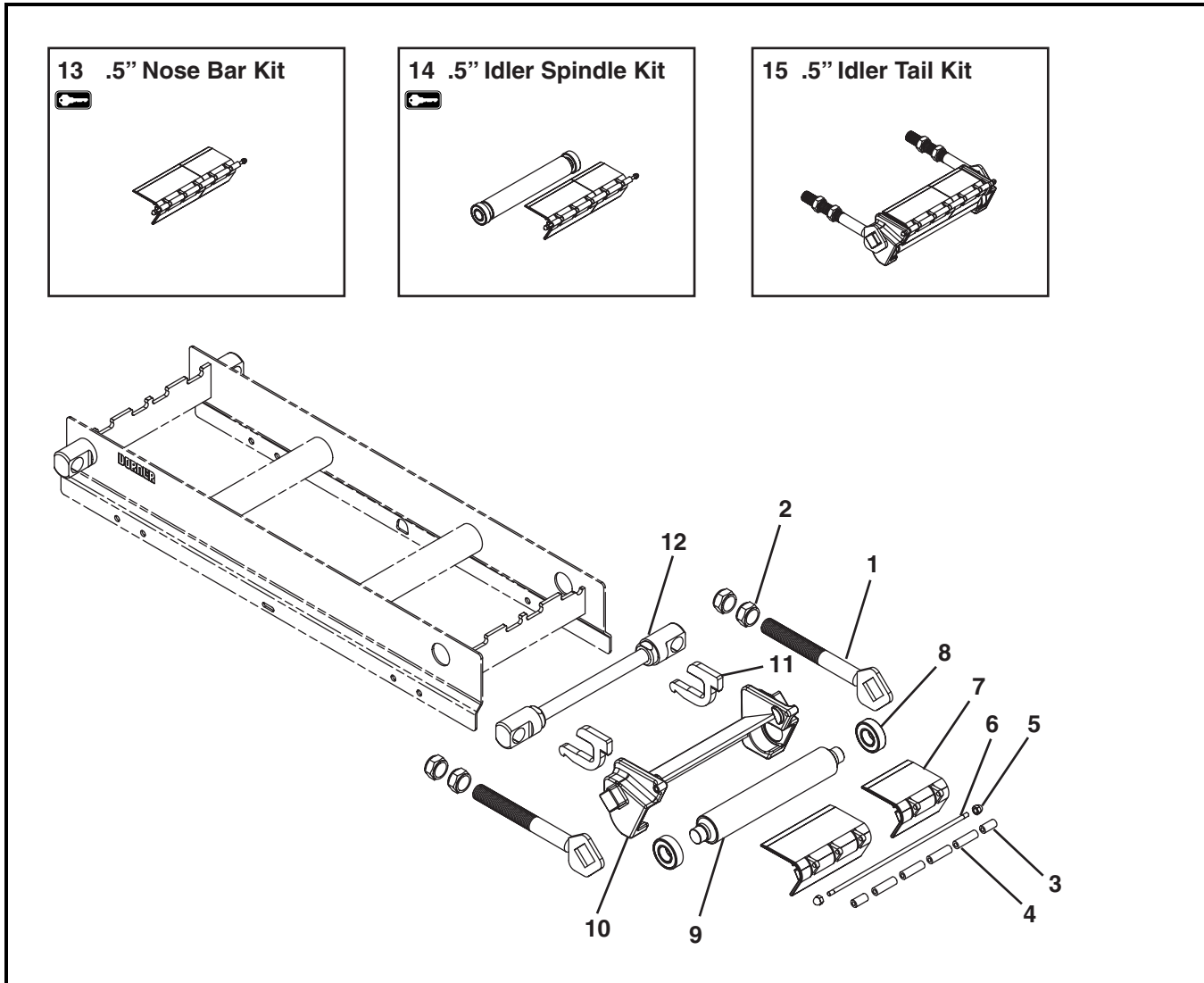
Item	Part Number	Description
1	500891	Idler Shaft Assembly with Bearing and Cover
2	500791	Nut
3	500694	Pinch Guard Right Hand
4	5104 WW	Idler Spindle
5	500695	Pinch Guard Left Hand
6	500675	Key Stop

Item	Part Number	Description
7	5048 WW	Tip Up Shaft Assembly
8	802-162	Bearing
9	807-1454	Bearing Cover
10	76BK	Bearing Kit (Includes Items 8 and 9)
11	76ST- WW	Idler Tail Kit (Includes Items 1 through 5)

~~WW~~ = Conveyor width ref: 06 - 60 in 02 increments

Service Parts

.5" Nose Bar Idler End



Item	Part Number	Description
1	500997	.5" Nose Bar Shaft Assembly
2	500791	Nut
3	501087	Roller .5" x 1.06"
4	501086	Roller .5" x 1.72"
5	990608MSS	Acorn Nut
6	5099WW	Nose Bar Shaft
7	See Chart	Roller Mount
8	802-164	Return Spindle Bearing
9	5097WW	.5" Nose Bar Return Spindle

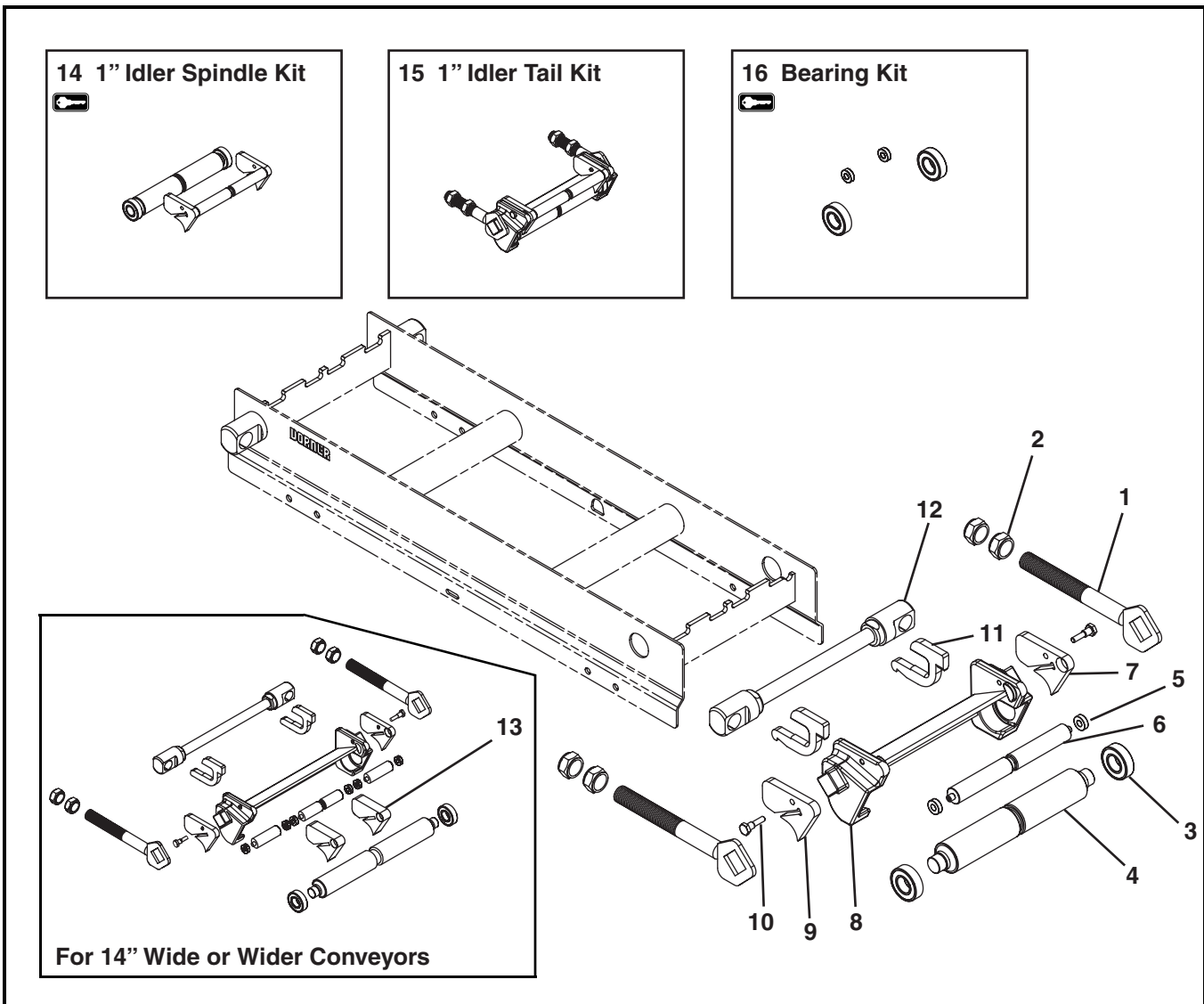
Item	Part Number	Description
10	5092WW	.5" Nose Bar Weldment Assembly
11	500675	Key Stop
12	5048WW	Tip Up Shaft Assembly
13	76NB5-WW	.5" Nose Bar Kit (Includes Items 3 through 7)
14	76NB-WW	.5" Idler Spindle Kit (Includes Items 3 through 9)
15	76NBT-WW	.5" Idler Tail Kit (Includes Items 1 through 10)

WW = Conveyor width ref: 06 - 60 in 02 increments

Item 7: Roller Mount	
Width	Part Number
6" (152 mm)	501078
8" (203 mm)	501077
10" (254 mm)	501078 & 501079
12" (305 mm)	501077 & 501079
14" (356 mm)	501077 & 501078
16" (406 mm)	501077 (x2)
18" (457 mm)	501077, 501078 & 501079
20" (508 mm)	501077 (x2) & 501079
22" (559 mm)	501077 (x2) & 501076
24" (610 mm)	501077 (x3)
26" (660 mm)	501077 (x2), 501078 & 501079
28" (711 mm)	501077 (x3) & 501079
30" (762 mm)	501077 (x3) & 501078
32" (813 mm)	501077 (x4)
34" (864 mm)	501077 (x3), 501078 & 501079
36" (914 mm)	501077 (x4) & 501079
38" (965 mm)	501077 (x4) & 501078
40" (1016 mm)	501077 (x5)
42" (1067 mm)	501077 (x4), 501078 & 501079
44" (1118 mm)	501077 (x5) & 501079
46" (1168 mm)	501077 (x5) & 501078
48" (1219 mm)	501077 (x6)
50" (1270 mm)	501077 (x5), 501078 & 501079
52" (1321 mm)	501077 (x6) & 501079
54" (1372 mm)	501077 (x6) & 501078
56" (1422 mm)	501077 (x7)
58" (1473 mm)	501077 (x6), 501078 & 501079
60" (1524 mm)	501077 (x7) & 501079

Service Parts

1" Nose Bar Idler End



Item	Part Number	Description
1	500997	1" Nose Bar Shaft Assembly
2	500791	Nut
3	802-164	Return Spindle Bearing
4	5107WW	1" Nose Bar Return Spindle
5	802-123	Nose Bar Bearing
6	See Chart	1" Nose Bar Spindle
7	500975	Nose Bar Puck Holder, Right Hand
8	5105WW	1" Nose Bar Weldment Assembly
9	500976	Nose Bar Puck Holder, Left Hand
10	501178	Pilot Nose Bolt

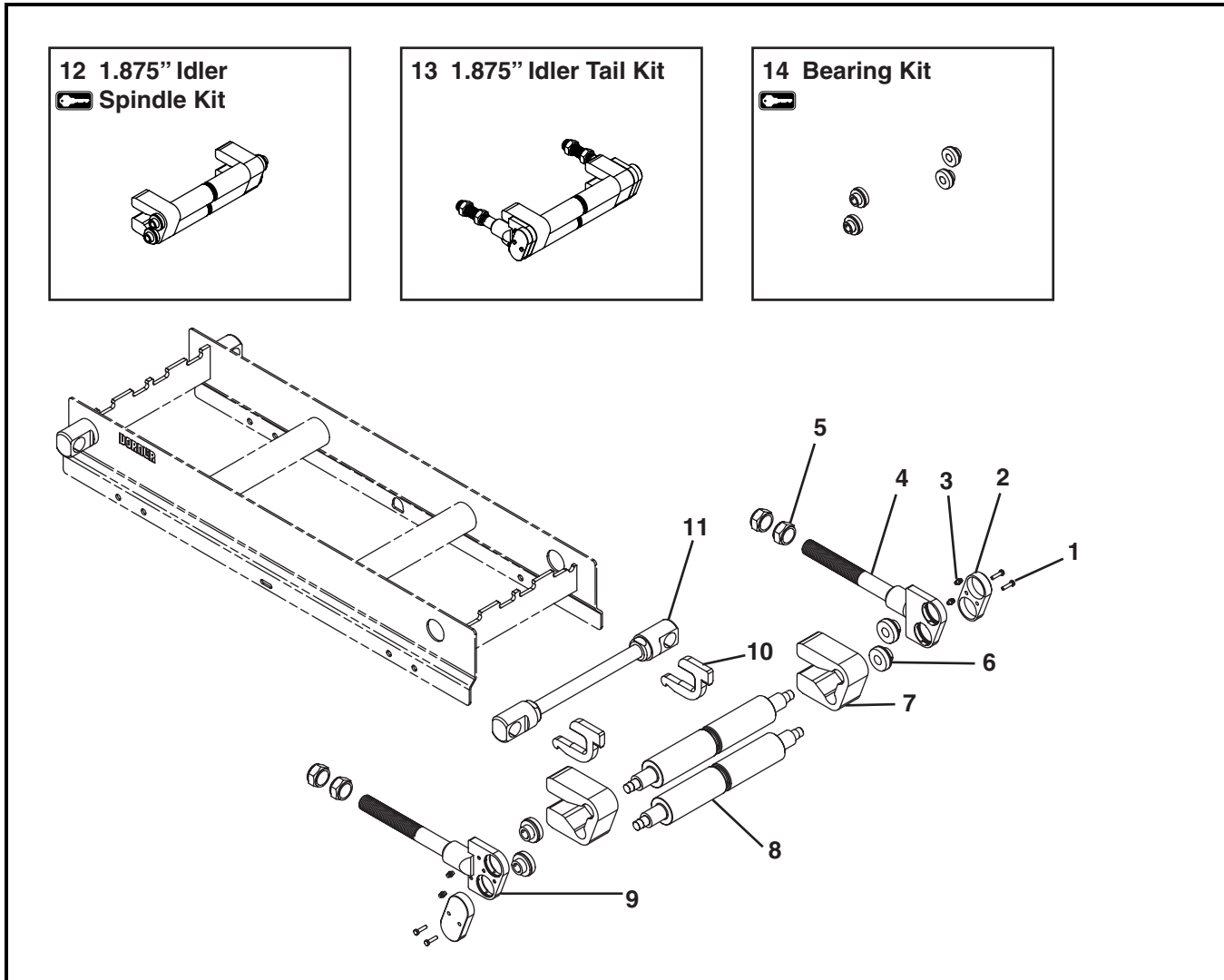
Item	Part Number	Description
11	500675	Key Stop
12	5048WW	Tip Up Shaft Assembly
13	500977	Nose Bar Puck Holder, Center
14	76NB1-WW	1" Idler Spindle Kit (Includes Items 3 through 7 and 9)
15	76NBT1-WW	1" Idler Tail Kit (Includes Items 1 through 10)
16	76BK1	Bearing Kit (Includes Items 3 and 5)

WW = Conveyor width ref: 06 - 60 in 02 increments

Item 6: 1" Nose Bar Spindle	
Width	Part Number
6" (152mm)	505107
8" (203mm)	505108
10" (254mm)	505109
12" (305mm)	505110
14" (356mm)	505103 (x2) & 505107
16" (406mm)	505103 (x2) & 505108
18" (457mm)	505103 (x2) & 505109
20" (508mm)	505103 (x2) & 505110
22" (559mm)	505104 (x2) & 505107
24" (610mm)	505104 (x2) & 505108
26" (660mm)	505104 (x2) & 505109
28" (711mm)	505104 (x2) & 505110
30" (762mm)	505106 (x2) & 505107
32" (813mm)	505106 (x2) & 505108
34" (864mm)	505106 (x2) & 505109
36" (914mm)	505106 (x2) & 505110
38" (965mm)	505104 (x4) & 505107
40" (1016mm)	505104 (x4) & 505108
42" (1067mm)	505104 (x4) & 505109
44" (1118mm)	505104 (x4) & 505110
46" (1168mm)	505105 (x4) & 505107
48" (1219mm)	505105 (x4) & 505108
50" (1270mm)	505105 (x4) & 505109
52" (1321mm)	505105 (x4) & 505110
54" (1372mm)	505106 (x4) & 505107
56" (1422mm)	505106 (x4) & 505108
58" (1473mm)	505106 (x4) & 505109
60" (1524mm)	505106 (x4) & 505110

Service Parts

1.875" Nose Bar Idler End

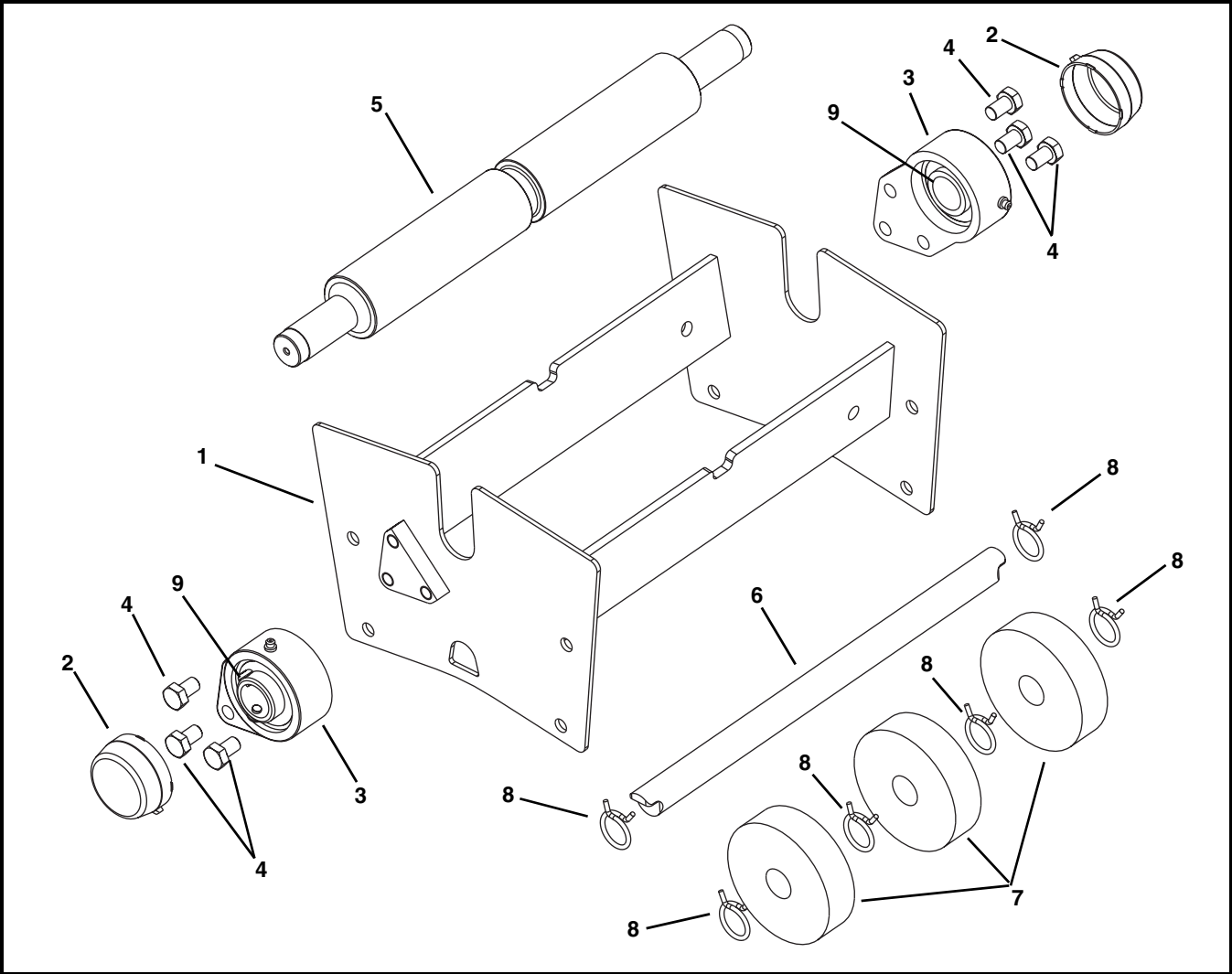


Item	Part Number	Description
1	960520MSS	Hex Head Cap Screw M5-0.8 x 20 mm
2	501085	Transfer Bearing Cover
3	810-187	Grease Fitting
4	501083	1.875" Nose Bar Shaft Assembly Right Hand
5	500791	Nut
6	802-171	Bearing
7	501081	Pinch Guard block
8	5101 WW	1.875" Nose Bar Spindle
9	501084	1.875" Nose Bar Shaft Assembly Left Hand

Item	Part Number	Description
10	500675	Key Stop
11	5048 WW	Tip Up Shaft Assembly
12	76NB2- WW	1.875" Idler Spindle Kit (Includes Items 6 through 8)
13	76NB2- WW	1.875" Idler Tail Kit (Includes Items 1 through 9)
14	76BK2	Bearing Kit (Includes Item 6)

~~WW~~ = Conveyor width ref: 06 - 60 in 02 increments

Upper Knuckle for Flat Belt Conveyors

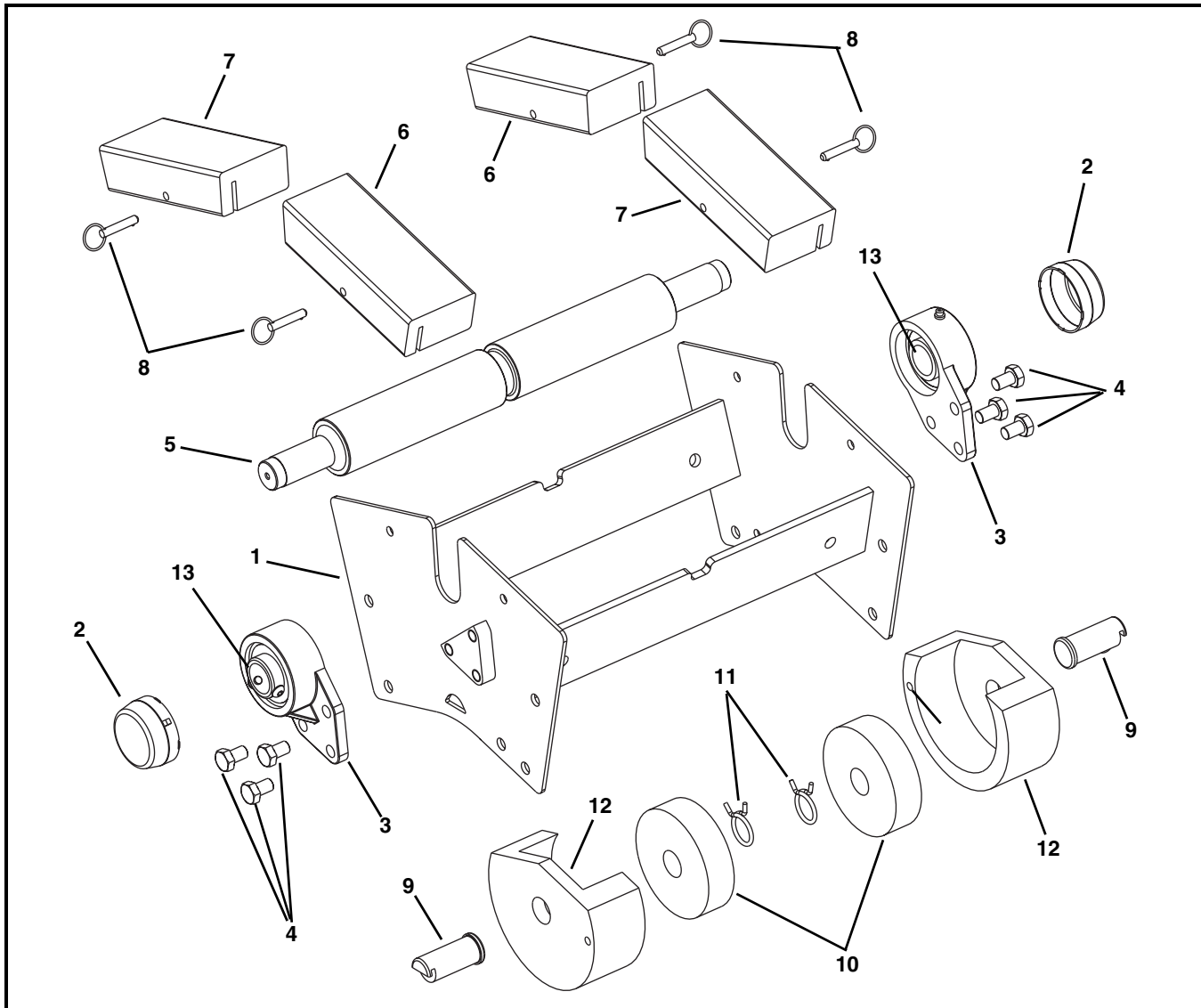


Item	Part Number	Description
1	5266WW	Frame Assembly for 5° Knuckle
	5267WW	Frame Assembly for 15° Knuckle
	5268WW	Frame Assembly for 30° Knuckle
2	807-1454	Bearing Cover
3	500288	3 Hole Flange with Bearing
4	961016MSS	Hex Head Cap Screw M10-1.5 x 20 mm

Item	Part Number	Description
5	5244WW	Spindle
6	5108WW	Return Shaft
7	500990	Return Disk
8	807-1551	Clamp
9	802-162	Bearing
WW = Conveyor length ref: 06 - 24 in 02 increments		

Service Parts

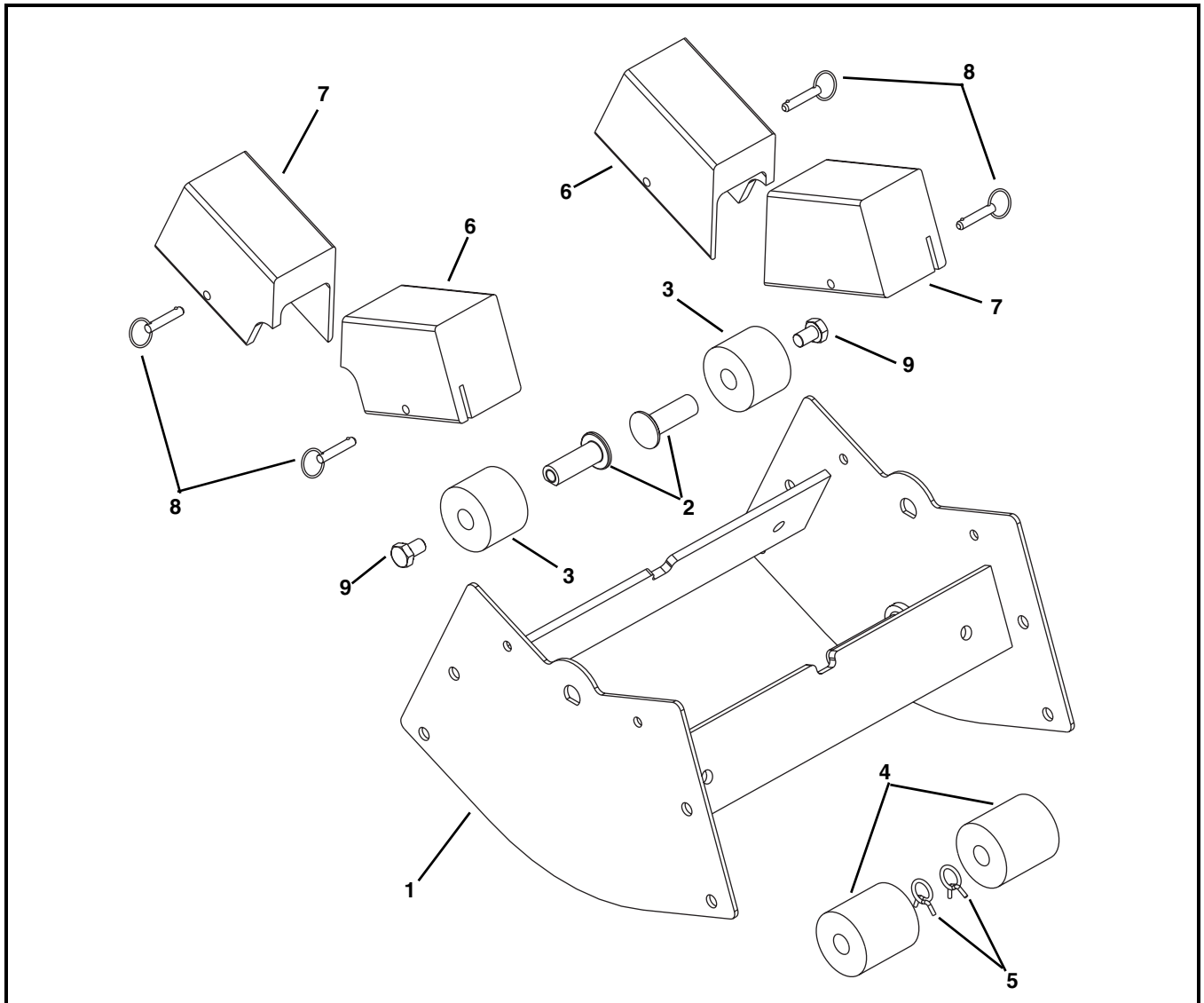
Upper Knuckle for Cleated Belt Conveyors



Item	Part Number	Description
1	5251WW	Frame Assembly for 30° Knuckle
	5252WW	Frame Assembly for 45° Knuckle
	5253WW	Frame Assembly for 60° Knuckle
2	807-1454	Bearing Cover
3	500288	3 Hole Flange with Bearing
4	961016MSS	Hex Head Cap Screw M10-1.5 x 20 mm
5	5244WW	Spindle
6	501788-AA	1.5" Hold Down Guide for Knuckle Right Hand
	501787-AA	3" Hold Down Guide for Knuckle Right Hand

Item	Part Number	Description
7	501978-AA	1.5" Hold Down Guide for Knuckle Left Hand
	501977-AA	3" Hold Down Guide for Knuckle Left Hand
8	807-1553	Pull Pin
9	501097	Return Shaft
10	500990	Return Disk
11	807-1551	Clamp
12	501896-AA	Return Guards
13	802-162	Bearing
		WW = Conveyor length ref: 06 - 24 in 02 increments
		AA = Angle 30, 45 or 60

Lower Knuckle for Cleated Belt Conveyors

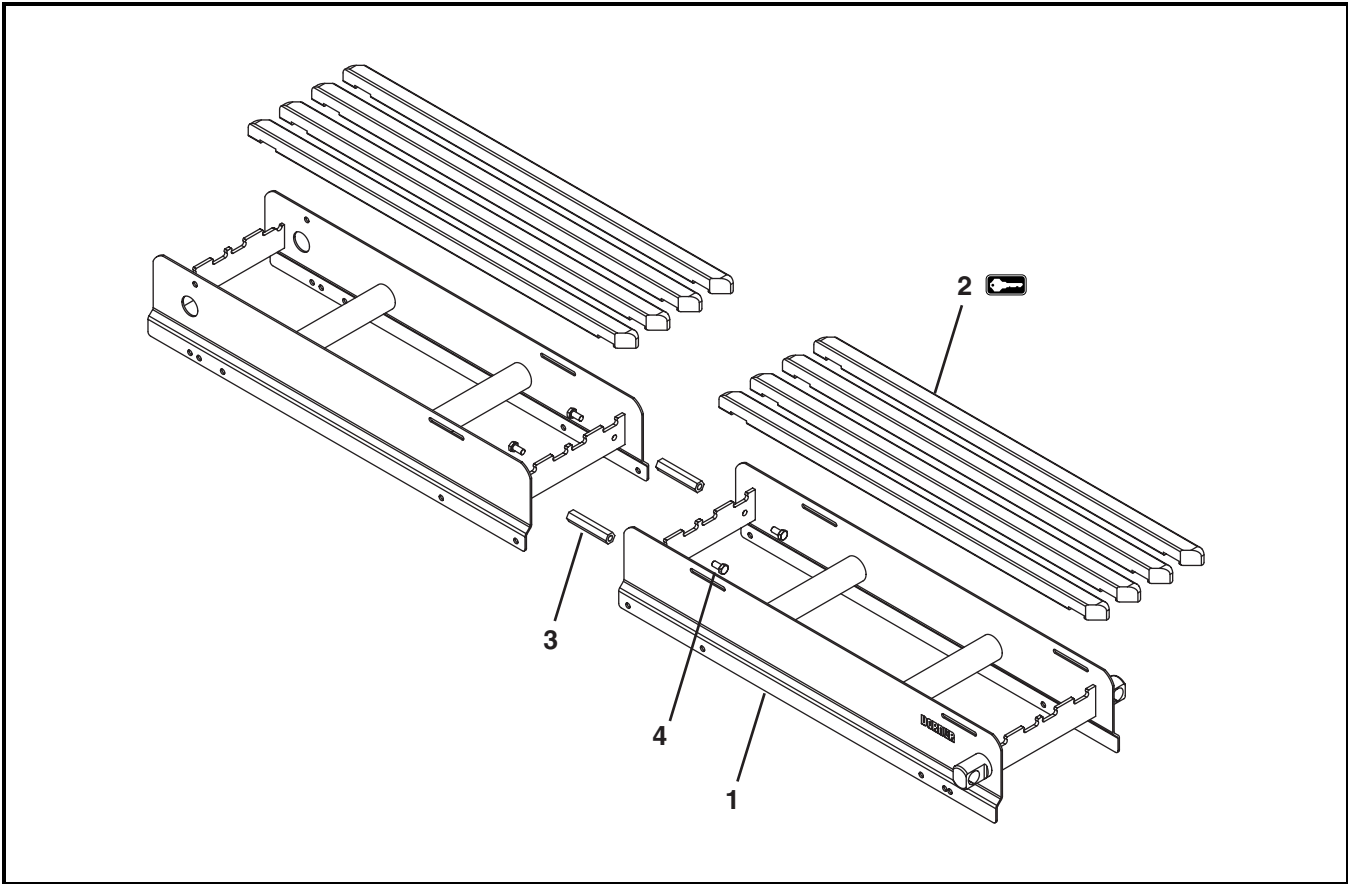



Item	Part Number	Description
1	5245WW	Frame Assembly for 30° Knuckle
	5246WW	Frame Assembly for 45° Knuckle
	5247WW	Frame Assembly for 60° Knuckle
2	501792	Hold Down Shaft
3	801-135	Hold Down Sleeve Bearing
4	801-136	Return Sleeve Bearing

Item	Part Number	Description
5	807-1682	Clamp
6	501795-AA	Hold Down Guide for Knuckle Right Hand
7	501796-AA	Hold Down Guide for Knuckle Left Hand
8	807-1553	Pull Pin
9	961016MSS	Hex Head Cap Screw, M10-1.5x16 mm
WW = Conveyor length ref: 06 - 24 in 02 increments		
AA = Angle 30, 45 or 60		

Service Parts

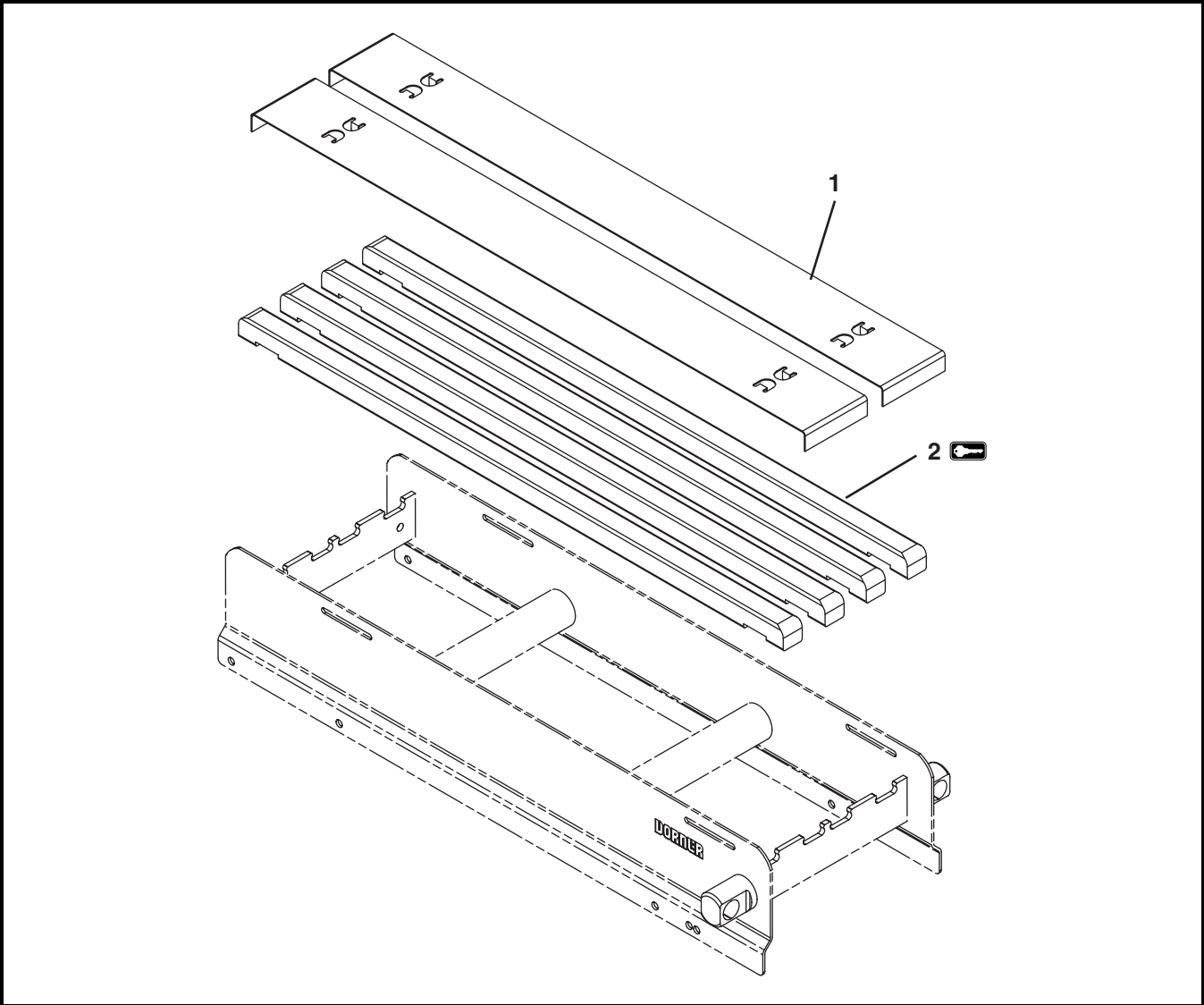
Conveyor Frame and Extensions with Standard Wear Strips



Item	Part Number	Description
1	-----	Consult Factory for Frame Part Number
2 	501800-LLL	Wear Strip

Item	Part Number	Description
3	500193	Hex Post Connector
4	961020MSS	Hex Head Cap Screw M10-1.5 x 20 mm
LLL = Conveyor length ref: 036 - 480 in 001 increments		

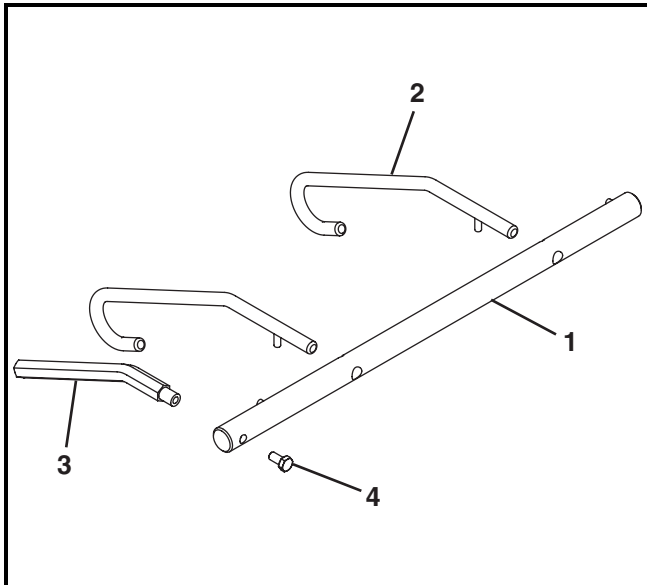
Wear Strips with Stainless Steel Sheet Bed Plate



Item	Part Number	Description
1	5123 <u>WW</u> - <u>LLL</u>	Bed Plate
2	501098- <u>LLL</u>	Wear Strip
<u>WW</u> = Conveyor width ref: 06 - 60 in 02 increments <u>LLL</u> = Conveyor length ref: 036 - 480 in 001 increments		

Service Parts

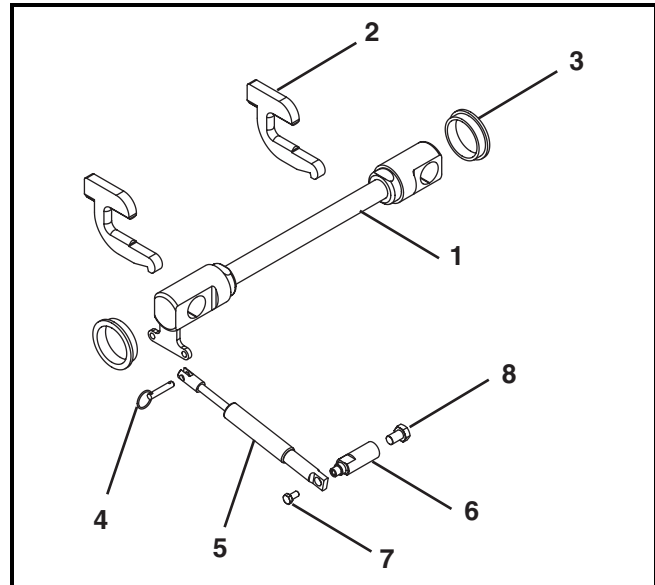
Lifters



Item	Part Number	Description
1	5054 WW	Belt Lifter Shaft
2	500195	Belt Lifter
3	500491	Belt Lifter Handle
4	960812MSS	Hex Head Cap Screw M8-1.25 x 12 mm

~~WW~~ = Conveyor width ref: 06 - 60 in 02 increments

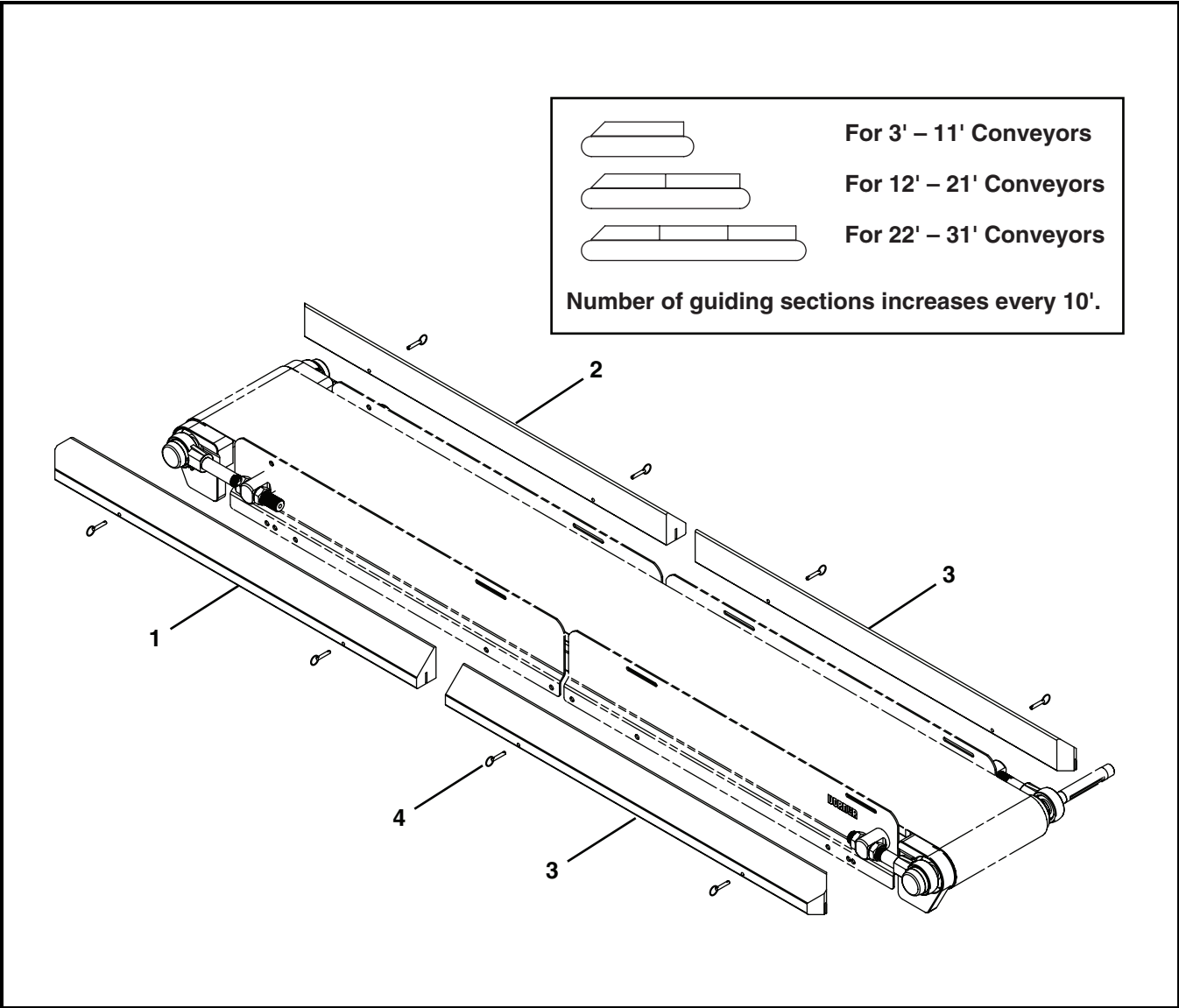
Gas Assisted Tip Up



Item	Part Number	Description
1	5049 WW	Gas Assist Tip Up Shaft Assembly
2	500675	Key Stop
3	500895	Tip Up Bushing
4	807-1553	Pull Pin
5	807-1562	Gas Spring 70 lb. for Standard Tails 42"-60" wide or Nose Bar Tails 18"-30" wide
	807-1563	Gas Spring 130 lb. for Nose Bar Tails 32"-46" wide
	807-1564	Gas Spring 160 lb. for Nose Bar Tails 48"-60" wide
6	500794	Gas Spring Stand Off Post
7	960612MSS	Hex Head Cap Screw M6-1.00 x 12 mm
8	961016MSS	Hex Head Cap Screw M10-1.50 x 16 mm

~~WW~~ = Conveyor width ref: 06 - 60 in 02 increments

3" High Sides

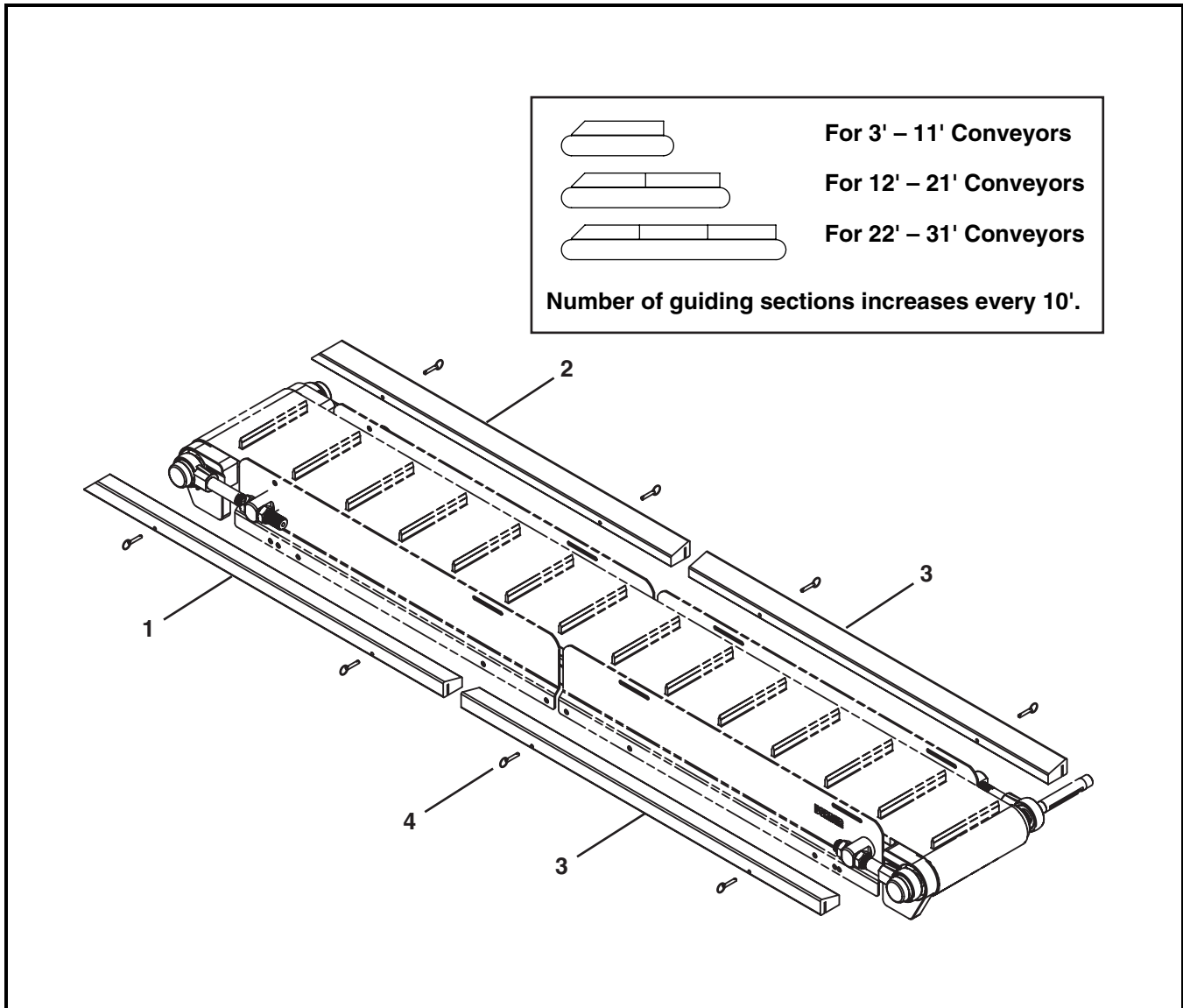


Item	Part Number	Description
1	503460-LLLLL	High Side Guide for Conveyors 3'-11' Long
	503550-LLLLL	High Side Right Hand Guide for Conveyors over 11' Long
2	503460-LLLLL	High Side Guide for Conveyors 3'-11' Long

Item	Part Number	Description
3	503650-LLLLL	High Side Right Hand Guide for Conveyors over 11' Long
	503450-LLLLL	High Side Guide Square End
4	807-1553	Pull Pin
LLLLL = Guide Length in inches with 2 decimal places.		
Example: Guide Length = 95.25" LLLLL = 09525		

Service Parts

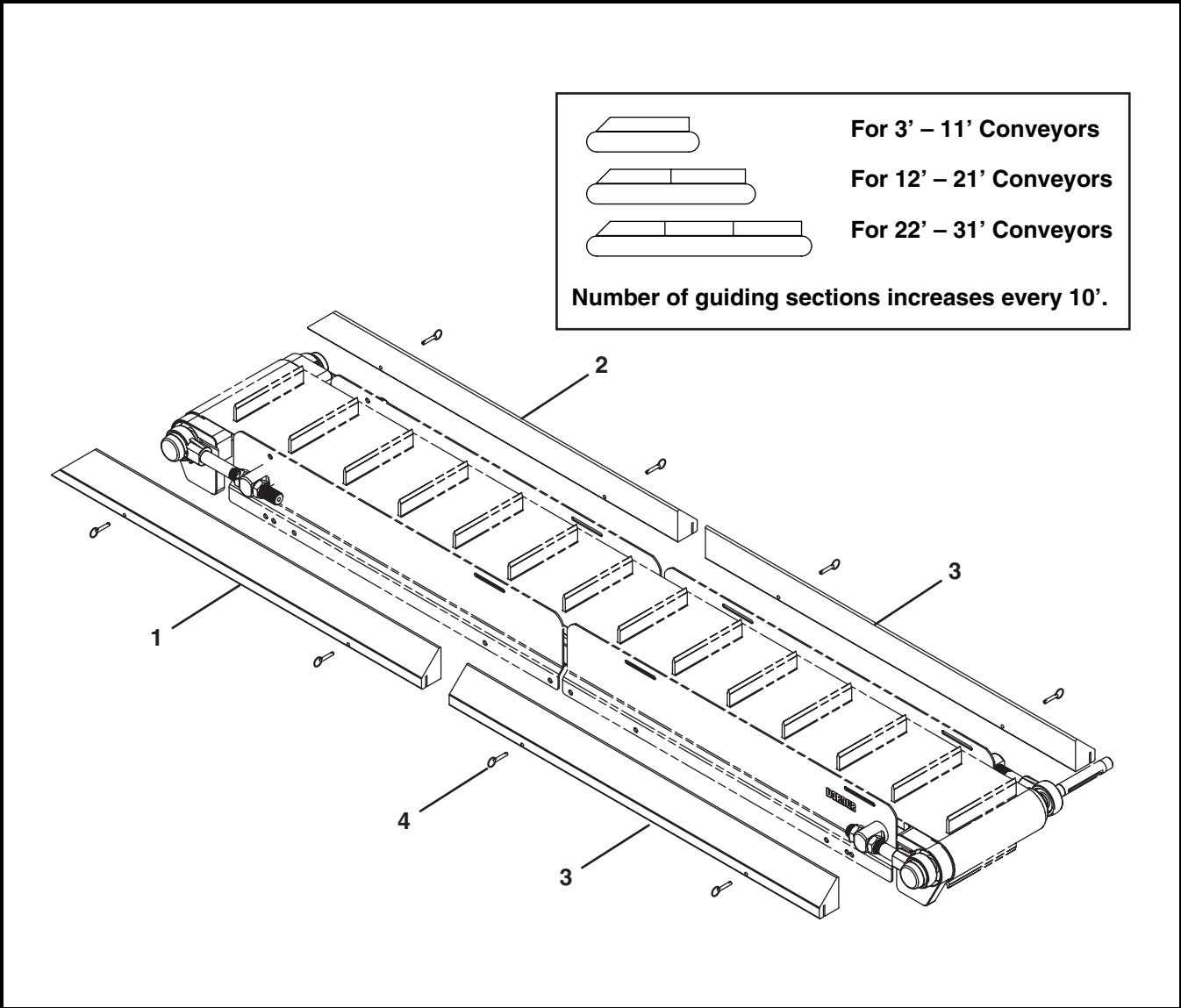
1" Cleated Guides



Item	Part Number	Description
1	502450-LLLLL	1" Cleated Right-hand Guide
2	502460-LLLLL	1" Cleated Left-hand Guide
3	502350-LLLLL	1" Cleated Guide Square End

Item	Part Number	Description
4	807-1553	Pull Pin
LLLLL = Guide Length in inches with two decimal places.		
Example: Guide Length = 95.25" LLLLL = 09525		

3" Cleated Guides

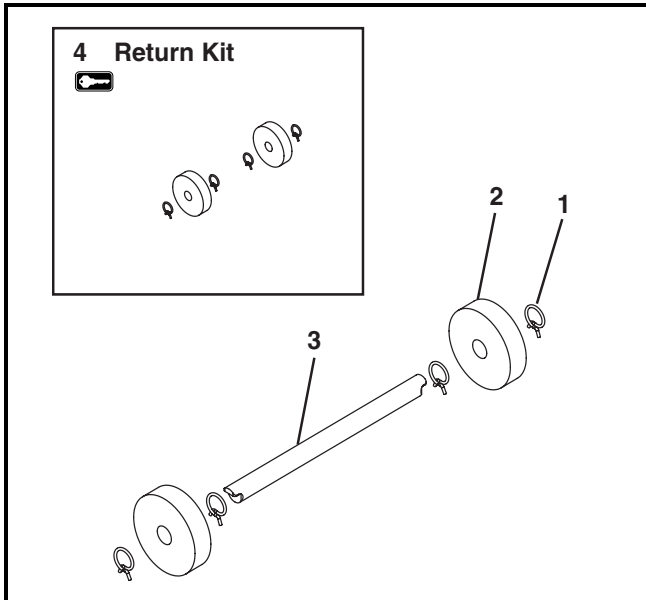


Item	Part Number	Description
1	502750-LLLLL	3" Cleated Right-hand Guide
2	502850-LLLLL	3" Cleated Left-hand Guide
3	502650-LLLLL	3" Cleated Guide Square End

Item	Part Number	Description
4	807-1553	Pull Pin
LLLLL = Guide Length in inches with two decimal places.		
Example: Guide Length = 95.25" LLLLL = 09525		

Service Parts

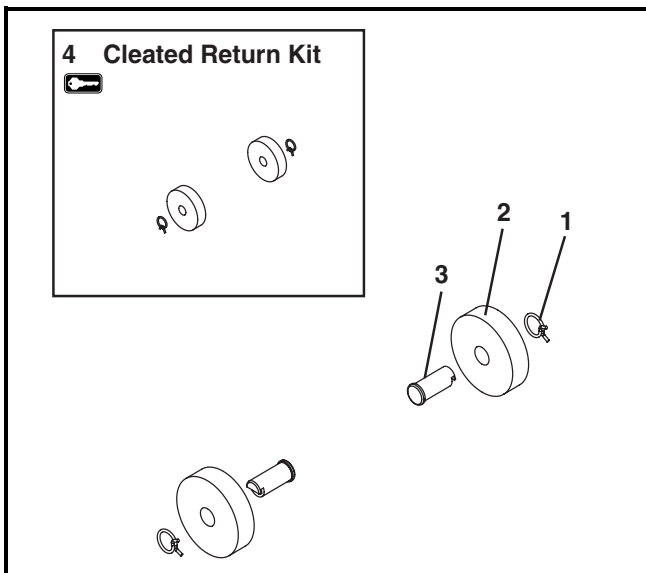
Flat Belt Returns



Item	Part Number	Description
1	807-1551	Clamp
2	500990	Return Disk
3	5108 WW	Return Shaft
4	76R- WW	Return Kit (Includes Items 1 and 2)

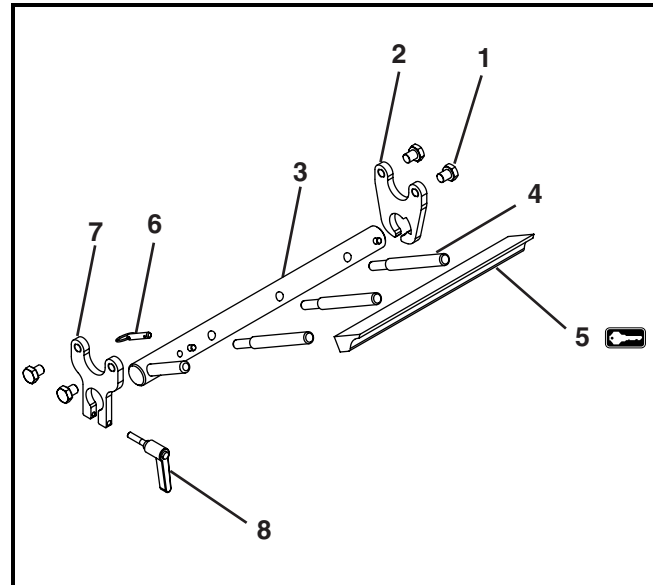
~~WW~~ = Conveyor width ref: 06 - 60 in 02 increments

Cleated Belt Return



Item	Part Number	Description
1	807-1551	Clamp
2	500990	Return Disk
3	501097	Cleated Return Shaft
4	76CR	Cleated Return Kit (Includes Items 1 and 2)

Scraper



Item	Part Number	Description
1	961012MSS	Hex Head Cap Screw M10-1.50 x 12 mm
2	500878	Scraper Adjust Plate
3	5102 WW	Scraper Shaft Assembly
4	500881	Scraper Holder Bar
5	5047 WW	Scraper Wear Bar
6	807-1553	Pull Pin
7	500879	Scraper Mount Plate
8	807-1559	Handle

~~WW~~ = Conveyor width ref: 06 - 60 in 02 increments

Configuring Conveyor Belt Part Number

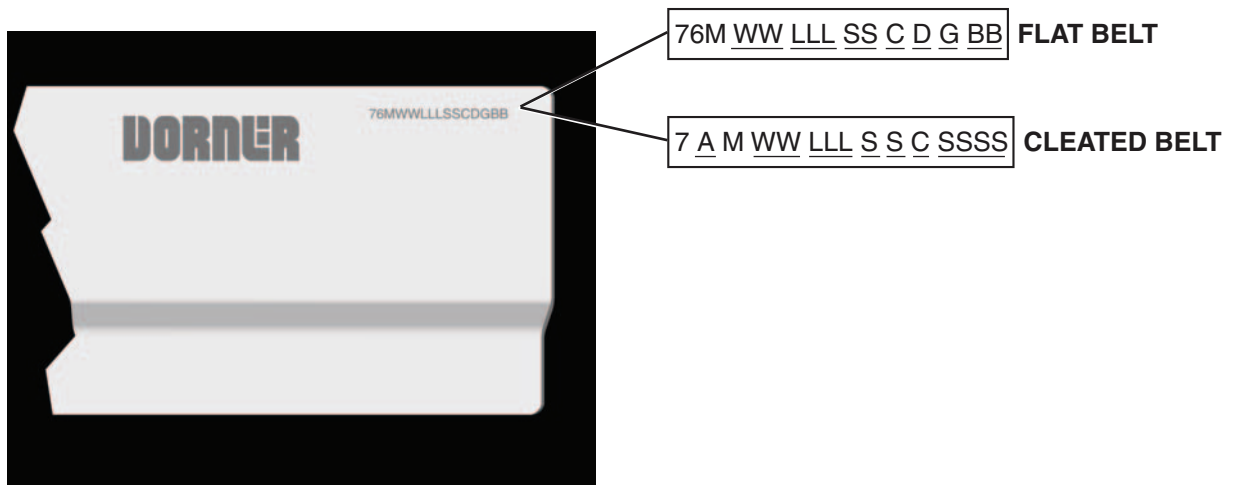


Figure 98

Flat Belt Part Number Configuration

Refer to model number on the conveyor frame (Figure 98). From the model number determine the conveyor width (WW), length (LLL), drive/tail types (A) and belt type (BB). Use data to configure belt part number as indicated below. *Add "V" for v-guided belts.

76-WW LLL A / BB V*
76-_____ / _____ V*
 (Fill In)

Cleated Belt Part Number Configuration

Refer to model number on the conveyor frame (Figure 98). From the model number determine the conveyor width (WW), length (LLL), cleat type (C) and cleat spacing (SSSS). Use data to configure belt part number as indicated below. *Add "V" for v-guided belts.

76-WW LLL C SSSS V*
76-_____ V*
 (Fill In)

Return Policy

Returns must have prior written factory authorization or they will not be accepted. Items that are returned to Dorner without authorization will not be credited nor returned to the original sender. When calling for authorization, please have the following information ready for the Dorner factory representative or your local distributor:

1. Name and address of customer.
2. Dorner part number(s) of item(s) being returned.
3. Reason for return.
4. Customer's original order number used when ordering the item(s).
5. Dorner or distributor invoice number.

A representative will discuss action to be taken on the returned items and provide a Returned Goods Authorization number for reference.

There will be a return charge on all new undamaged items returned for credit where Dorner was not at fault. Dorner is not responsible for return freight on such items.

Conveyors and conveyor accessories

Standard catalog conveyors	30%
MPB Series, cleated and specialty belt conveyors	50%
7400 & 7600 Series conveyors	non-returnable items
Engineered special products	case by case
Drives and accessories	30%
Sanitary stand supports	non-returnable items

Parts

Standard stock parts	30%
MPB, cleated and specialty belts	non-returnable items

Returns will not be accepted after 60 days from original invoice date.

The return charge covers inspection, cleaning, disassembly, disposal and reissuing of components to inventory.

If a replacement is needed prior to evaluation of returned item, a purchase order must be issued. Credit (if any) is issued only after return and evaluation is complete.

Dorner has representatives throughout the world. Contact Dorner for the name of your local representative. Our Technical Sales, Catalog Sales and Service Teams will gladly help with your questions on Dorner products.

For a copy of Dorner's Warranty, contact factory, distributor, service center or visit our website at www.dorner.com.

For replacement parts, contact an authorized Dorner Service Center or the factory.



Dorner Mfg. Corp. reserves the right to change or discontinue products without notice. All products and services are covered in accordance with our standard warranty. All rights reserved. © Dorner Mfg. Corp. 2007

DORNER MFG. CORP.
975 Cottonwood Ave., PO Box 20
Hartland, WI 53029-0020 USA
USA
TEL 1-800-397-8664 (USA)
FAX 1-800-369-2440 (USA)
Internet: www.dorner.com

Outside the USA:
TEL 1-262-367-7600
FAX 1-262-367-5827