

Motor Control Accessory Kits

Installation, Maintenance and Parts Manual



Jog Push Button Kit



Push/Pull Stop Kit



Emergency Stop Kit

DORNER MFG. CORP.
P.O. Box 20 • 975 Cottonwood Ave.
Hartland, WI 53029-0020 USA

INSIDE THE USA
TEL: 1-800-397-8664
FAX: 1-800-369-2440

OUTSIDE THE USA
TEL: 262-367-7600
FAX: 262-367-5827

For other service manuals visit our website at:
www.dorner.com/service_manuals.asp

Table of Contents

Warnings – General Safety.....	3	Jog Push Button Kit & Push/Pull Stop Kit	7
Product Description	4	Emergency Stop Kit.....	7
Jog Push Button Kit	4	Linking Cable Kit	8
Push/Pull Stop Kit.....	4	Service Parts.....	9
Emergency Stop Kit.....	4	Jog Push Button Kit.....	9
Linking Cable Kit	4	Push/Pull Stop Kit	10
Installation	5	Emergency Stop Kit	11
Required Tools.....	5	Linking Kit	12
Button Box Kits - Vertical Mounting to Conveyor	5	Notes	13
Button Box Kits - Horizontal Mounting to Conveyor	5	Return Policy.....	14
Button Box Kits - Stand Mount	6		
Wiring	6		

Introduction

CAUTION
Some illustrations may show guards removed. DO NOT operate equipment without guards.


Upon receipt of shipment:

- Compare shipment with packing slip. Contact factory regarding discrepancies.
- Inspect packages for shipping damage. Contact carrier regarding damage. Accessories may be shipped loose.
- See accessory instructions for installation.

The Dorner Limited Warranty applies.

Dorner 7400 Series conveyors have patents pending.

Dorner reserves the right to make changes at any time without notice or obligation.

Dorner has convenient, pre-configured kits of Key Service Parts for all conveyor products. These time saving kits are easy to order, designed for fast installation, and guarantee you will have what you need when you need it. Key Parts and Kits are marked in the Service Parts section of this manual with the Performance Parts Kits logo .

Warnings – General Safety

WARNING

The safety alert symbol, black triangle with exclamation, is used to alert you to potential personal injury hazards.

DANGER



SEVERE HAZARD!

KEEP OFF CONVEYORS. Climbing, sitting, walking or riding on conveyor will cause severe injury.

DANGER



EXPLOSION HAZARD!

- **DO NOT OPERATE CONVEYORS IN AN EXPLOSIVE ENVIRONMENT.** The electric gearmotor generates heat and could ignite combustible vapors.
- Failure to comply will result in death or serious injury.

WARNING

Controller must be properly grounded. Failure to properly ground controller may cause personal injury.

DANGER



SEVERE HAZARD!

Hazardous voltage will cause severe injury or death. **LOCKOUT POWER BEFORE WIRING.**

WARNING



SEVERE HAZARD!

Exposed moving parts can cause severe injury. **DO NOT ATTEMPT ADJUSTMENTS WITH CONVEYOR RUNNING. LOCK OUT POWER** before removing guards or performing maintenance.

WARNING



SEVERE HAZARD!

- Dorner cannot control the physical installation and application of conveyors. Taking protective measures is the responsibility of the user.
- When conveyors are used in conjunction with other equipment or as part of a multiple conveyor system, **CHECK FOR POTENTIAL PINCH POINTS** and other mechanical hazards before system start-up.
- Failure to comply could result in serious injury.

Product Description

Jog Push Button Kit

Refer to Figure 1 for typical components.

Typical Components

- 1 Jog Push Button Box
- 2 Drop In T-Bars (x2)
- 3 .50" Spacers (x2)
- 4 M6-1.00 20mm Low Head Cap Screws (x2)
- 5 M6-1.00 12mm Low Head Cap Screws (x2)

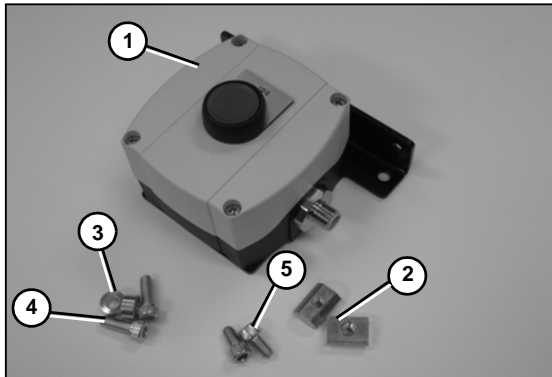


Figure 1

Emergency Stop Kit

Refer to Figure 3 for typical components.

Typical Components

- 1 Emergency Stop Box
- 2 Drop In T-Bars (x2)
- 3 .50" Spacers (x2)
- 4 M6-1.00 20mm Low Head Cap Screws (x2)
- 5 M6-1.00 12mm Low Head Cap Screws (x2)

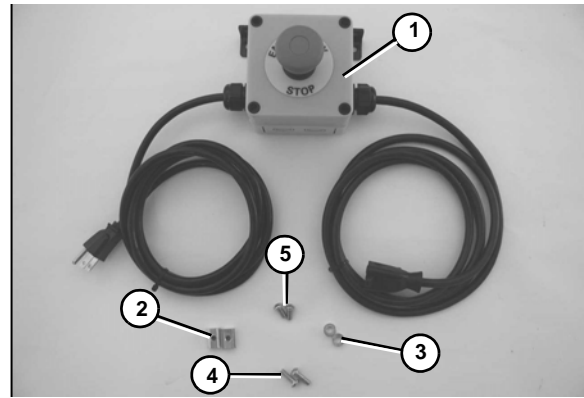


Figure 3

Push/Pull Stop Kit

Refer to Figure 2 for typical components.

Typical Components

- 1 Push/Pull Stop Box
- 2 Drop In T-Bars (x2)
- 3 .50" Spacers (x2)
- 4 M6-1.00 20mm Low Head Cap Screws (x2)
- 5 M6-1.00 12mm Low Head Cap Screws (x2)

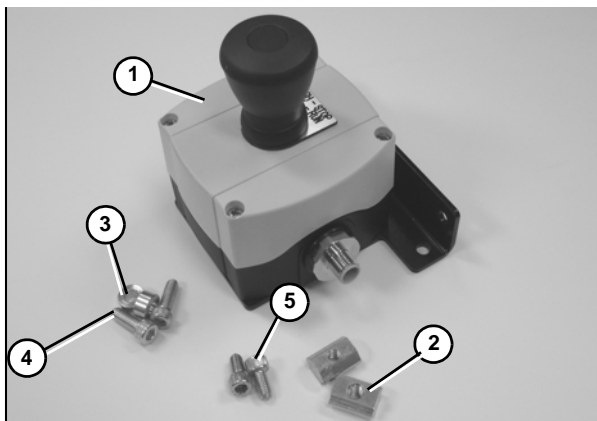


Figure 2

Linking Cable Kit

Refer to Figure 4 for typical components.

Typical Components

- 1 Cable - 4P Micro Connect
- 2 Wire Ties (x3)
- 3 Drop In T-Bars (x3)
- 4 M6-1.00 20mm Low Head Cap Screws (x3)
- 5 Mounting Cable Ties (x3)
- 6 T-Slot Strip Closures (x3)
- 7 Hex Key

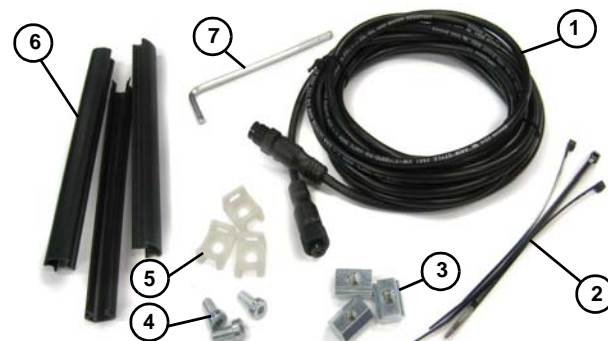


Figure 4

Required Tools

6 mm hex head wrench

Button Box Kits - Vertical Mounting to Conveyor

1. Install t-bars (Figure 5, item 1) into conveyors t-slot.

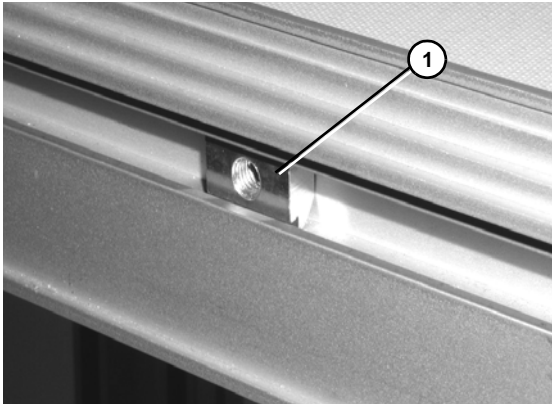


Figure 5

2. Attach button box kit (Figure 6, item 1) to conveyor with screws (Figure 6, item 2).

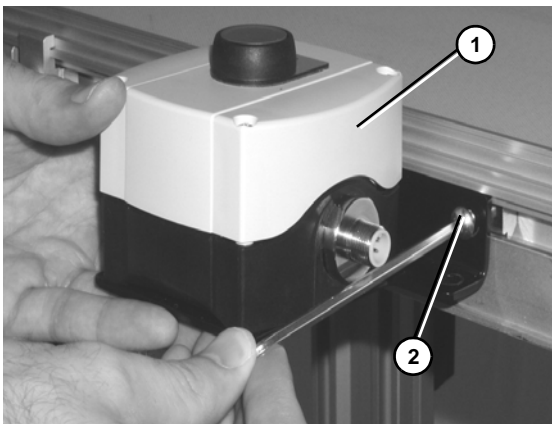


Figure 6

3. Slide button box kit to its desired mounting location along conveyor and tighten both screws.

Button Box Kits - Horizontal Mounting to Conveyor

1. Install t-bars (Figure 7, item 1) into conveyor t-slot (Figure 7, item 2).



Figure 7

2. Attach button box kit (Figure 8, item 1) to conveyor with spacers (Figure 8, item 2) and screws (Figure 8, item 3).

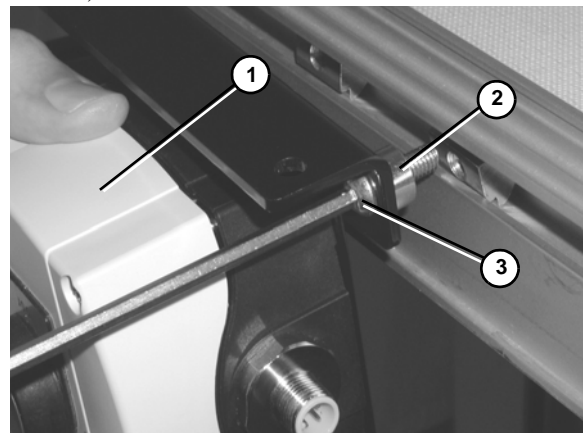


Figure 8

3. Slide button box kit to its desired mounting location along conveyor and tighten both screws.

Installation

Button Box Kits - Stand Mount

1. Install t-bar into t-slot.
2. Partially thread controller lower mounting bar (Figure 9, item 1) to t-bar with screw (Figure 9, item 2).

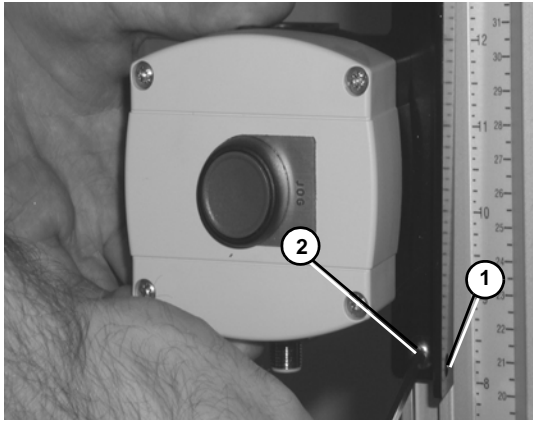


Figure 9

3. Install second t-bar into stand t-slot.
4. Partially thread controller top mounting bar to t-bar with screw.
5. Slide controller to its desired mounting location and tighten both screws.

Wiring

DANGER



SEVERE HAZARD!

Hazardous voltage will cause severe injury or death. **LOCKOUT POWER BEFORE WIRING.**

WARNING



SEVERE HAZARD!

Exposed moving parts can cause severe injury. **DO NOT ATTEMPT ADJUSTMENTS WITH CONVEYOR RUNNING. LOCK OUT POWER** before removing guards or performing maintenance.

WARNING

Controller must be properly grounded. Failure to properly ground controller may cause personal injury.

Jog Push Button Kit and Push/Pull Stop Kit

1. Plug linking cable kit (Figure 10, item 1) into button box kit (Figure 10, item 2).

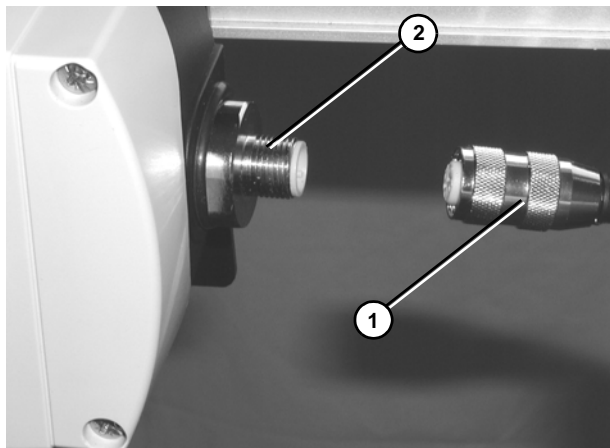


Figure 10

2. Connect opposite end of linking cable kit (Figures 11 and 12, item 1) to the blue port (Figures 11 and 12, item 2) or green port (Figures 11 and 12, item 3) on the controller.

Figure 11

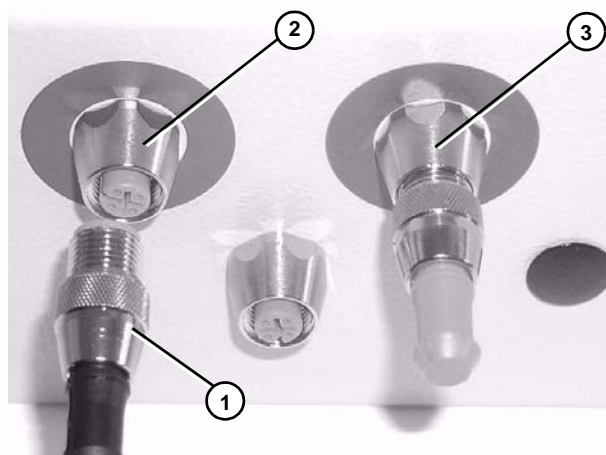
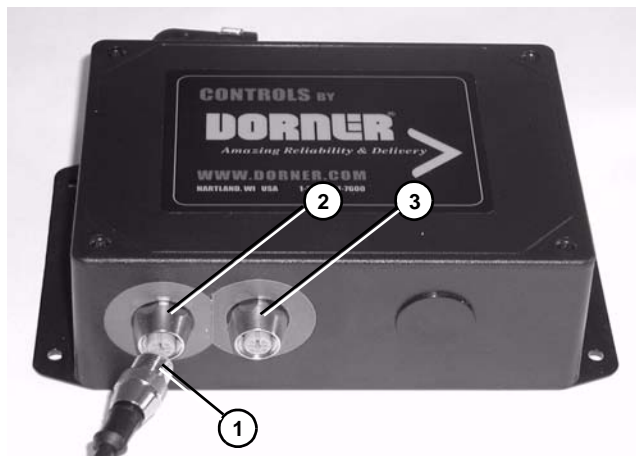


Figure 12

Emergency Stop Kit

1. Connect device, 120-volt motor or controller power cord (Figure 13, item 1), into emergency stop receptacle cord (Figure 13, item 2).

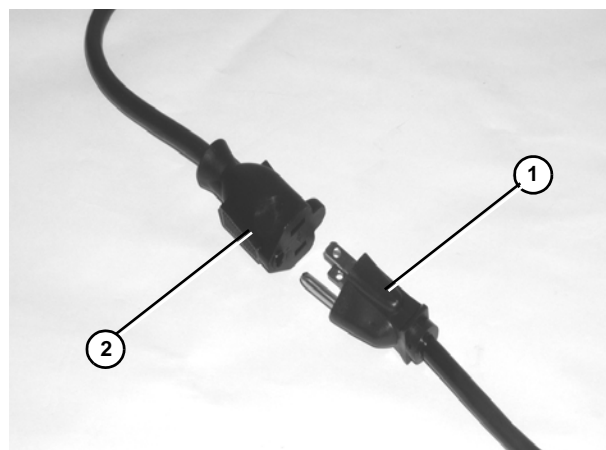


Figure 13

2. Connect emergency stop power cord to power source.

Installation

Linking Cable Kit

1. To contain a long run of wiring cable in the conveyor t-slot, use several short lengths of t-slot strip closures (Figure 14, item 1).

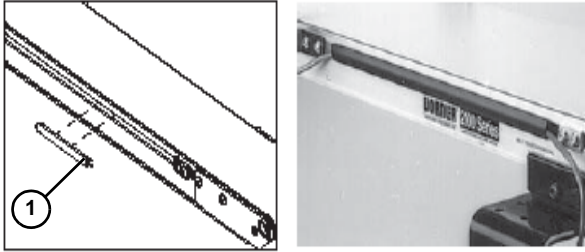


Figure 14

2. To route cable over a previously mounted component or to anchor the cable use the mounting cable ties (Figure 15, item 1) and single drop-in-t-bars (Figure 15, item 2). Secure with screws (Figure 15, item 3).

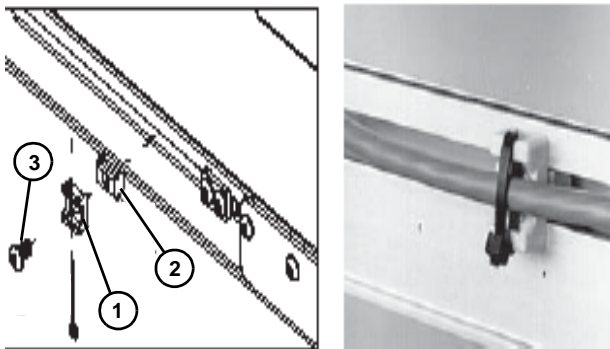



Figure 15

3. Figure 16 shows a typical wire routing or an accessory kit connection to the conveyor using the conveyors t-slot strip closures and wire ties.

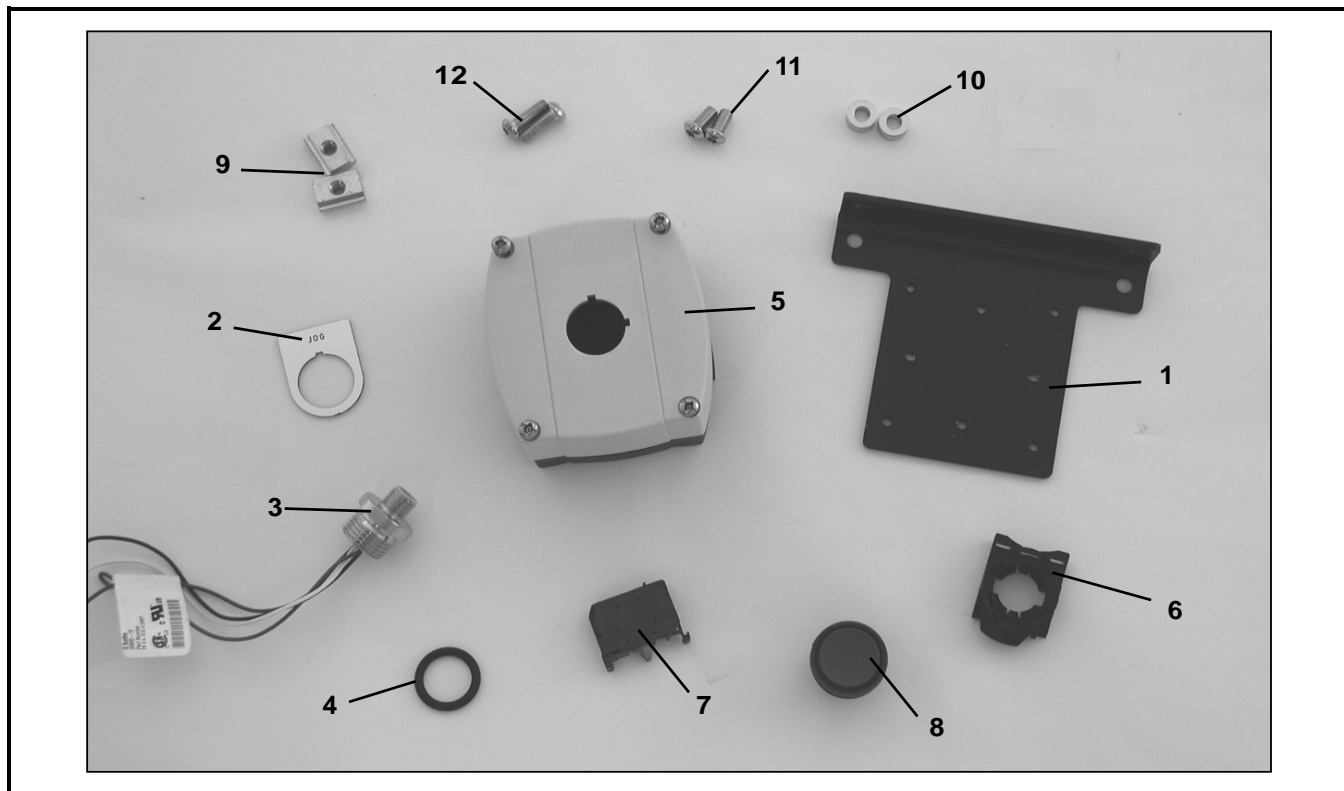


Figure 16

NOTE

For replacement parts other than those shown in this section, contact an authorized Dorner Service Center or the factory. Key Service Parts and Kits are identified by the Performance Parts Kits logo . Dorner recommends keeping these parts on hand.

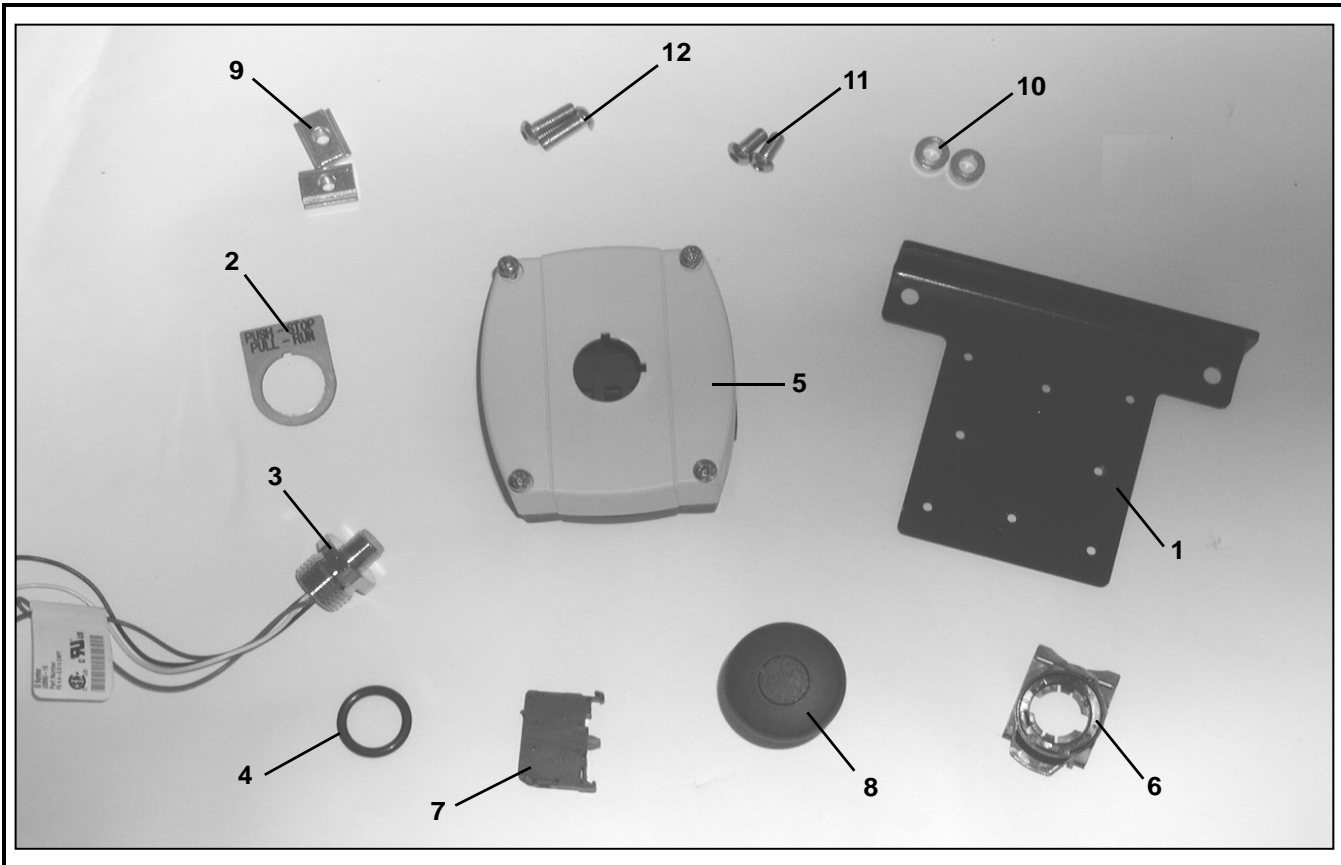
Jog Push Button Kit



Item	Part Number	Description
1	201103	Mounting Bracket
2	677785P	Legend Plate
3	809-314	Male Micro Connector
4	812-067	O-Ring
5	807-239	Push Button Box
6	830-210	Button Latch
7	830-211	Contact Block Switch-Normally Open
8	830-213	Push Button
9	639971M	Single Drop-In T-bar
10	807-1572	Spacer
11	920692M	Low Head Cap Screw M6-1.00 x12mm
12	920694M	Low Head Cap Screw M6-1.00 x20mm

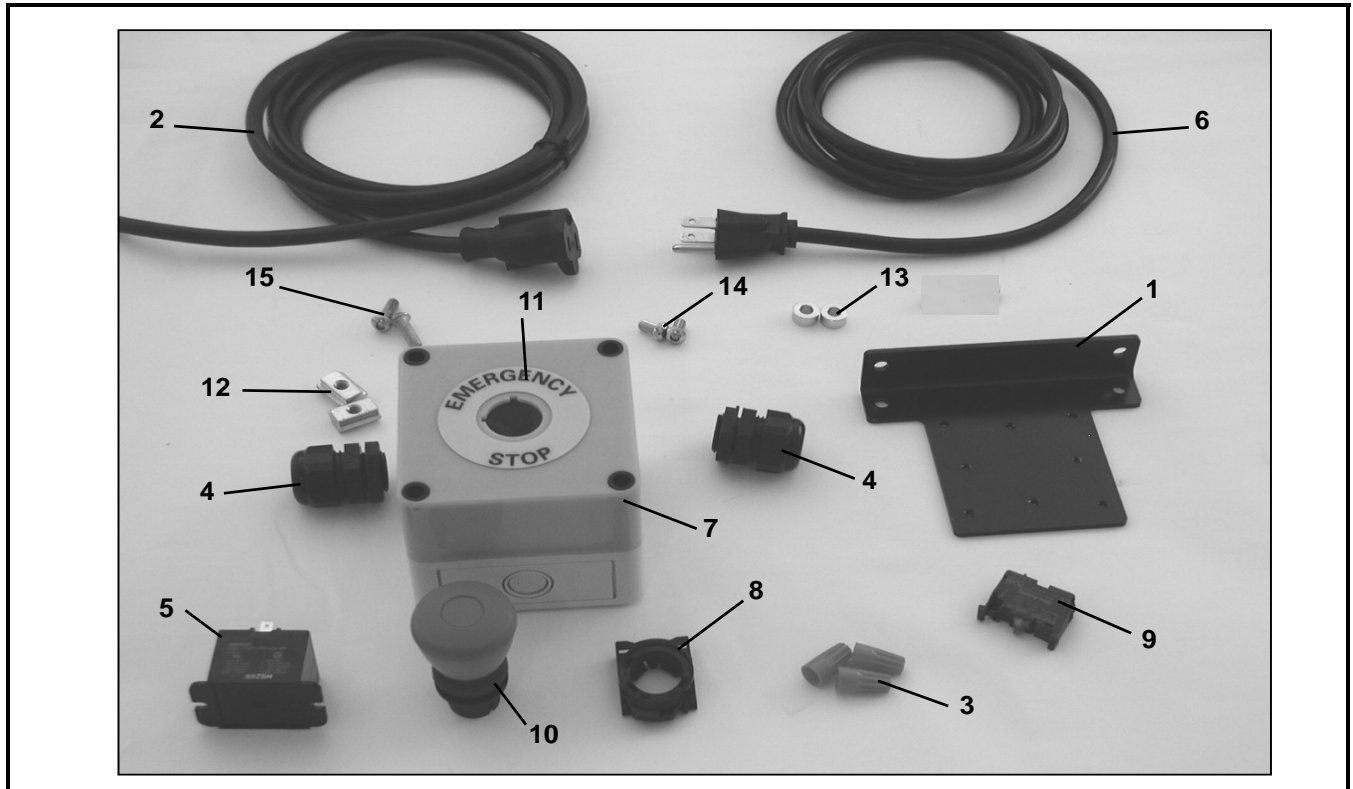
Service Parts

Push/Pull Stop Kit



Item	Part Number	Description
1	201103	Mounting Bracket
2	201105	Legend Plate
3	809-314	Male Micro Connector
4	812-067	O-Ring
5	807-239	Push Button Box
6	830-210	Select Switch
7	830-212	Contact Block Switch-Normally Closed
8	830-214	Push Button
9	639971M	Single Drop-In T-Bar
10	807-1572	Spacer
11	920692M	Low Head Cap Screw M6-1.00 x12mm
12	920694M	Low Head Cap Screw M6-1.00 x20mm

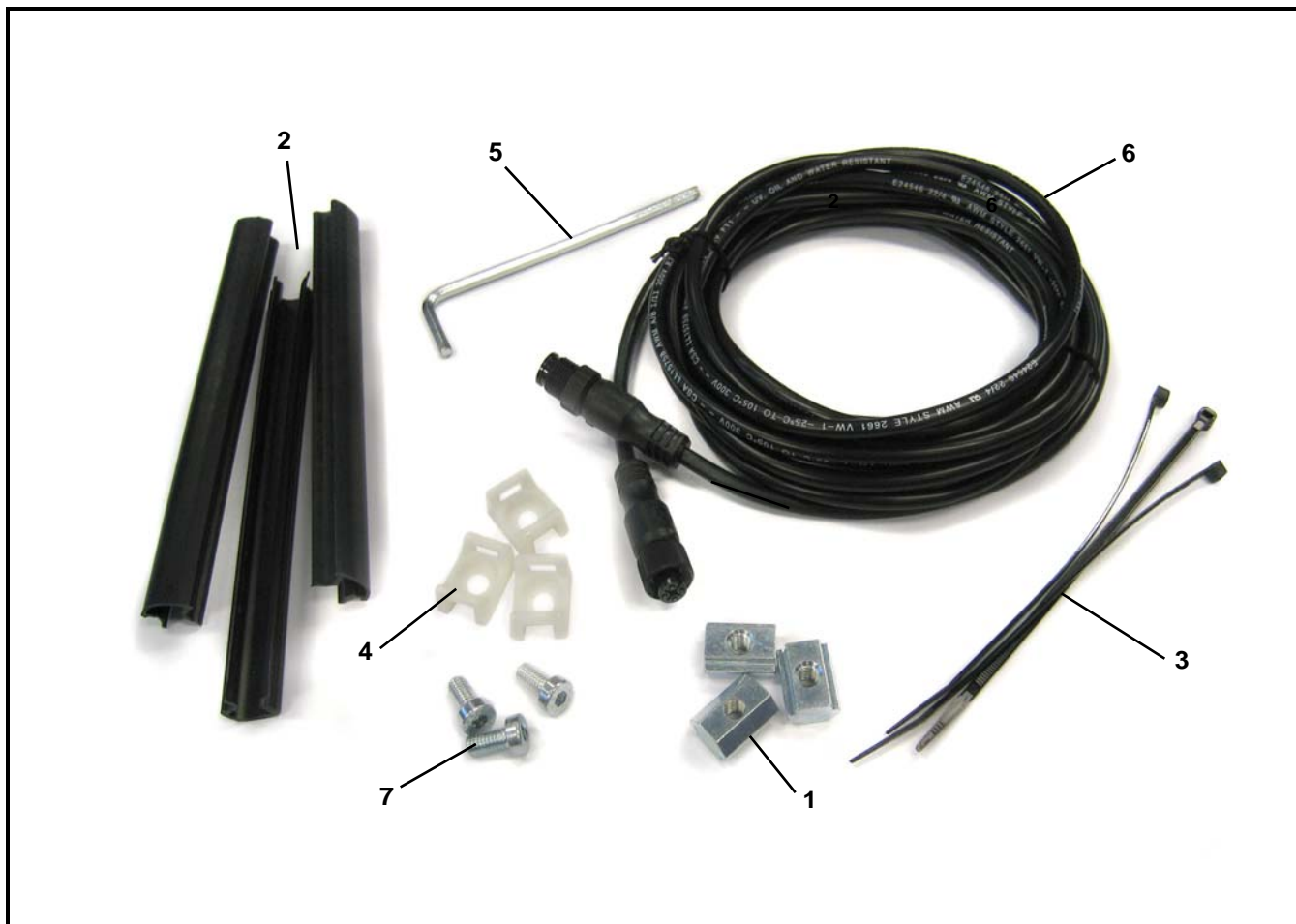
Emergency Stop Kit



Item	Part Number	Description
1	201103	Mounting Bracket
2	805-053	Receptacle Cord
3	805-057	Wire Nut
4	805-1005	Cord Grip
5	805-655	Surface Mounted Relay
6	805-805	Power Cord
7	817-243	Push Button Box
8	830-210	Select Switch
9	830-212	Contact Block Switch
10	830-216	Red Push Button
11	830-217	Push Button Nameplate
12	639971M	Single Drop-In T-Bar
13	807-1572	Spacer
14	920692M	Low Head Cap Screw M6-1.00 x 12mm
15	920694M	Low Head Cap Screw M6-1.00 x 20mm

Service Parts

Linking Kit



Item	Part Number	Description
1	639971M	Single Drop-In T-Bar
2	675232	T-Slot Strip Closure
3	805-063	Wire Tie
4	805-608	Mounting Cable Tie
5	807-565	Hex Key
6	809-312	2 meter Micro Cable
	809-313	5 meter Micro Cable
7	920692M	Low Head Cap Screw M6-1.00 x 12mm

Return Policy

Returns must have prior written factory authorization or they will not be accepted. Items that are returned to Dorner without authorization will not be credited nor returned to the original sender. When calling for authorization, please have the following information ready for the Dorner factory representative or your local distributor:

1. Name and address of customer.
2. Dorner part number(s) of item(s) being returned.
3. Reason for return.
4. Customer's original order number used when ordering the item(s).
5. Dorner or distributor invoice number.

A representative will discuss action to be taken on the returned items and provide a Returned Goods Authorization number for reference.

There will be a return charge on all new undamaged items returned for credit where Dorner was not at fault. Dorner is not responsible for return freight on such items.

Conveyors and conveyor accessories

Standard catalog conveyors	30%
MPB Series, cleated and specialty belt conveyors	50%
7400 & 7600 Series conveyors	non-returnable items
Engineered special products	case by case
Drives and accessories	30%
Sanitary stand supports	non-returnable items

Parts

Standard stock parts	30%
MPB, cleated and specialty belts	non-returnable items

Returns will not be accepted after 60 days from original invoice date.

The return charge covers inspection, cleaning, disassembly, disposal and reissuing of components to inventory.

If a replacement is needed prior to evaluation of returned item, a purchase order must be issued. Credit (if any) is issued only after return and evaluation is complete.

Dorner has representatives throughout the world. Contact Dorner for the name of your local representative. Our Technical Sales, Catalog Sales and Service Teams will gladly help with your questions on Dorner products.

For a copy of Dorner's Warranty, contact factory, distributor, service center or visit our website at www.dorner.com.

For replacement parts, contact an authorized Dorner Service Center or the factory.



Dorner Mfg. Corp. reserves the right to change or discontinue products without notice. All products and services are covered in accordance with our standard warranty. All rights reserved. © Dorner Mfg. Corp. 2006

DORNER MFG. CORP.
975 Cottonwood Ave., PO Box 20
Hartland, WI 53029-0020 USA
USA
TEL 1-800-397-8664 (USA)
FAX 1-800-369-2440 (USA)
Internet: www.dorner.com

Outside the USA:
TEL 1-262-367-7600
FAX 1-262-367-5827