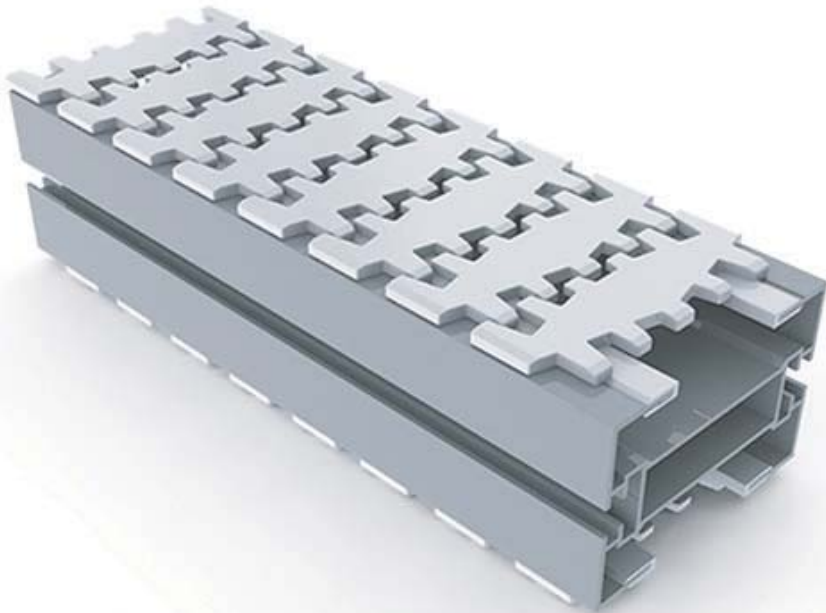


FlexMove

FC
103mm
Conveyor
System

FC



FC SERIES

Variety of chain type suitable for wide range of applications either horizontal or vertically product transportation. Capacity higher than FK, FS, FM. The maximum product width to be conveyed can be referred to guide rail assembly pages.

FC Series Characteristic

Beam Width: 105mm

Product Width: Refer to Guide Rail Assembly

Accessories Needed

Slide Rail Required: FASR-25 OR FASR-25U

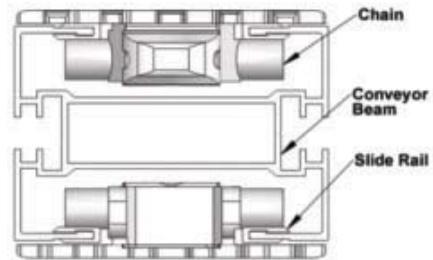
Slide Rail Colour: White Or Natural Colour

Slide Rail Material: HDPE OR UHMW-PE

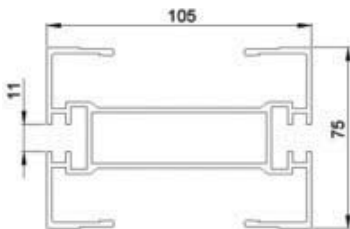
Slide Rail Rivet & Screw: FASLR-4X6 or FASLS-M5

Connecting strip is used to connect 2 beams.

Connecting Strip: FACS-25x140A

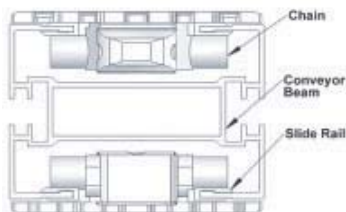


Conveyor Beam FCCB-3

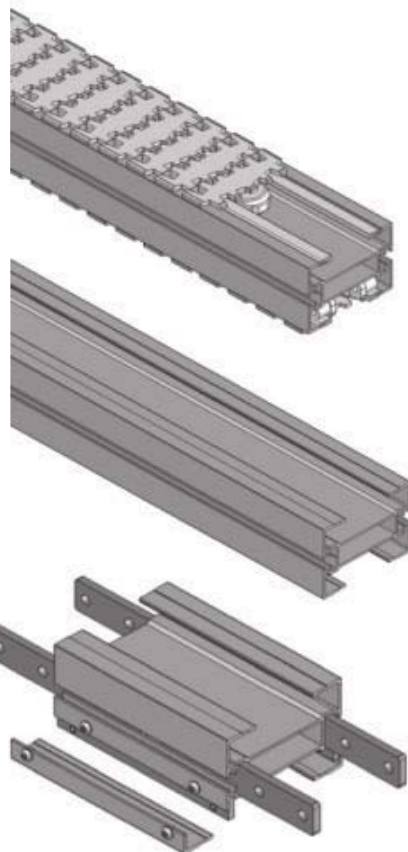


UOM : 3 Meter / Length

Chain Connecting Module FCCC-160



UOM: pc



Chain Common Data

Packaging: 5m per box

Pitch: 35.5mm

Width: 103mm

Tensile Strength at 20°C: 6000N

Colour: White & Black (Conductive)

Material :-

Chain: White Acetal / POM

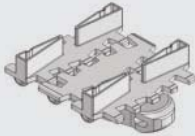
Pivot: Polyamide

Pivot Pin: Stainless Steel

Insert (Wedge & Friction): TPE Grey

Example for FCCT-5A17-L#

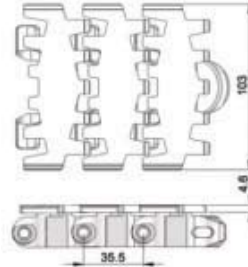
= 1 cleated top chain with alternate of # link of plain chain



The above chain is FCCT-5A17-L1, 1 link cleated top chain with alternate of 1 link of plain chain.

Note: # = 1, 2, 3, 4, 5.....20

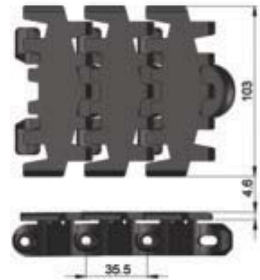
Standard Plain Chain FCPC-5



UOM: 5 Meter / box

Application: Suitable for horizontal and slope < 5° transport of products with accumulation.

Conductive Chain FCPC-5CD



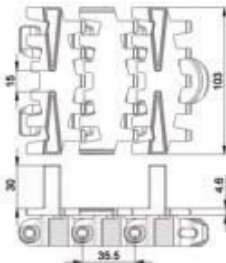
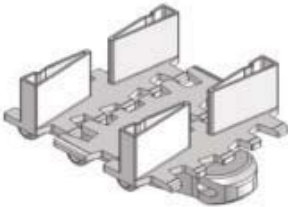
UOM: 5 Meter / box

Application: Suitable for transport of static sensitive product...

FC

Cleat Top Chain FCCT-5A17-L#

= 1, 2, 3, 4, 5.....20

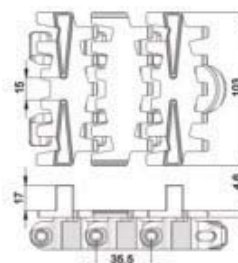
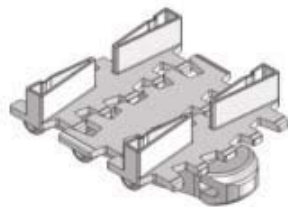


UOM: 5 Meter / box

Application: Suitable for vertical transport of product with no accumulation.

Cleat Top Chain FCCT-5A30-L#

= 1, 2, 3, 4, 5.....20

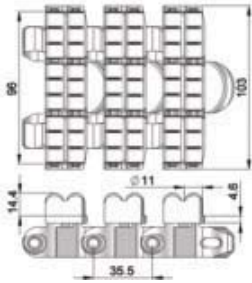
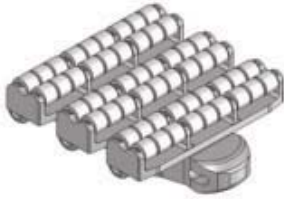


UOM: 5 Meter / box

Application: Suitable for vertical transport of product with no accumulation.

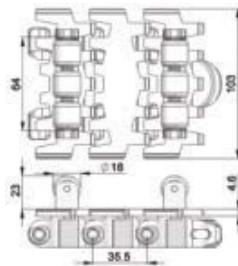
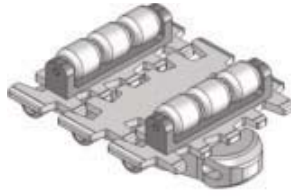
FC SERIES

Roller Top Chain **FCRT-5**



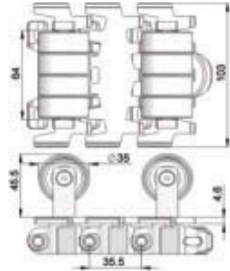
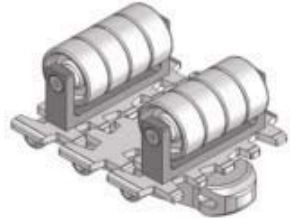
UOM: 5 Meter / box
 Application: Suitable for accumulation of product with low friction and pressure.

Roller Cleat Chain **FCRC-5A-L#**



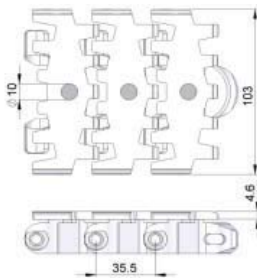
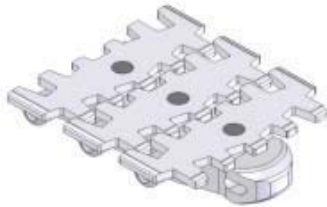
UOM: 5 Meter / box
 Application: Suitable for vertical transportation of product in slope with no accumulation.

Roller Cleat Chain **FCRC-5B-L#**



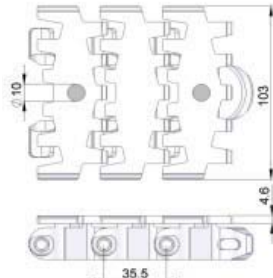
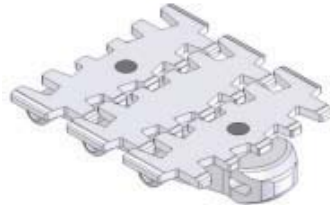
UOM: 5 Meter / box
 Application: Suitable for vertical transportation of product in slope with no accumulation.

Magnet Top Chain **FCMT-5**



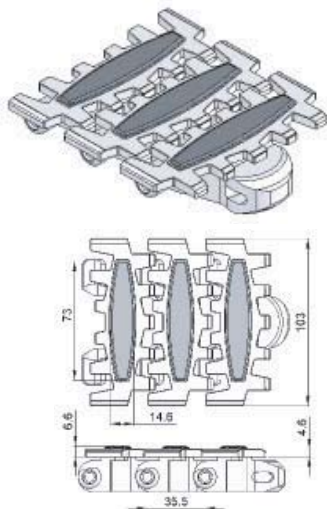
UOM: 5 Meter / box
 Application: Suitable for conveying of ferromagnetic products in slope.

Magnet Top Chain **FCMT-5-L#**



UOM: 5 Meter / box
 Application: Suitable for conveying of ferromagnetic products in slope.

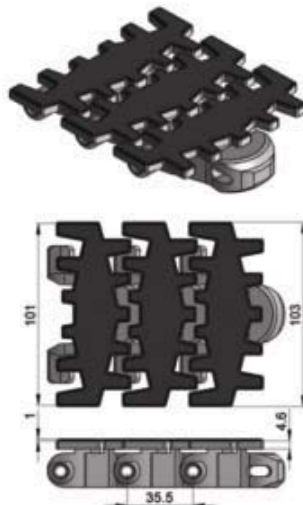
Friction Top Chain **FCFT-5**



UOM: 5 Meter / box

Application: Suitable for transport product in slope $> 5^\circ$ but $\leq 30^\circ$ without accumulation.

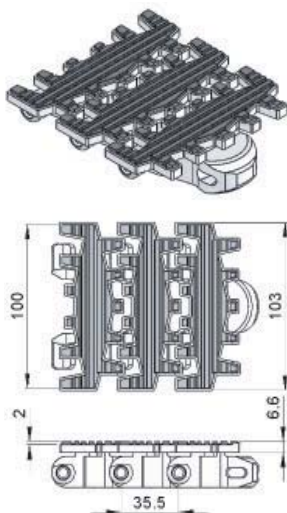
Friction Top Chain **FCFT-5A**



UOM: 5 Meter / box

Application: Suitable for transport product in slope $> 5^\circ$ but $\leq 30^\circ$ without accumulation.

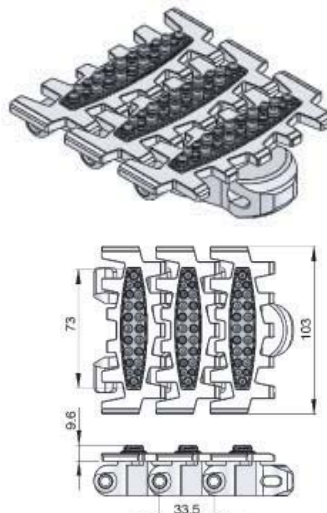
Friction Top Chain **FCFT-5B**



UOM: 5 Meter / box

Application: Suitable for transport product in slope $> 5^\circ$ but $\leq 40^\circ$ without accumulation.

Friction Top Chain **FCFT-5C**

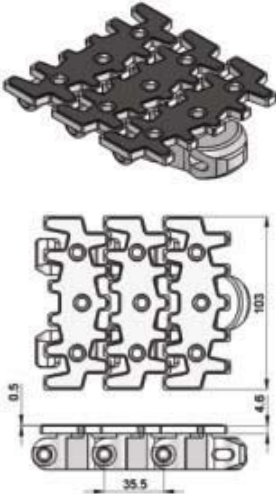


UOM: 5 Meter / box

Application: Suitable for transport product in slope $> 5^\circ$ but $\leq 35^\circ$ without accumulation.

FC SERIES

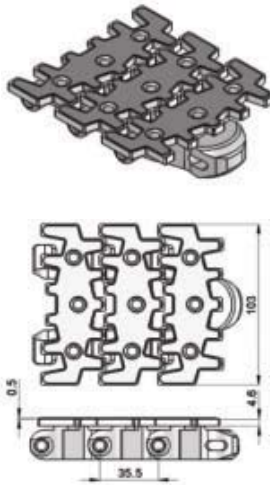
Hardened Steel Top Chain **FCST-5**



UOM: 5 Meter / box

Application: Suitable to transport metal products in accumulation.

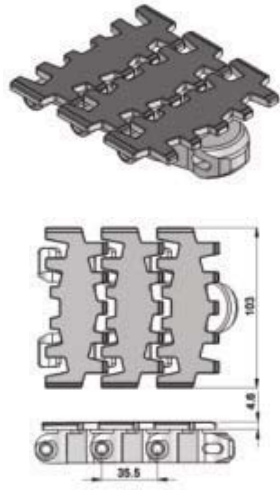
S/steel Top Chain **FCST-5S**



UOM: 5 Meter / box

Application: Suitable to transport metal products in accumulation.

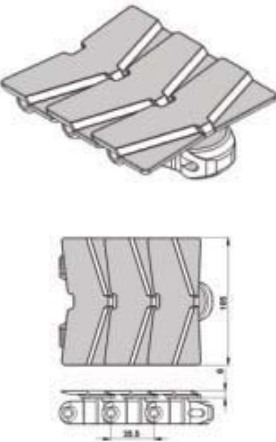
Flocked Chain **FCFK-5**



UOM: 5 Meter / box

Application: Suitable to transport light weight, fragile and scratch sensitive product.

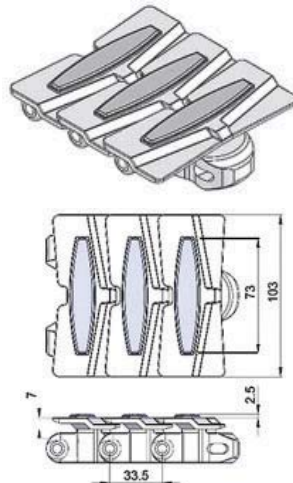
Safety Chain **FCPC-5V**



UOM: 5 Meter / box

Application: (Safety Chain) Suitable for horizontal and slope $< 5^\circ$ transport of products with accumulation.

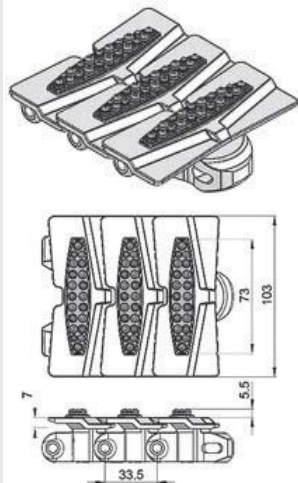
Safety Chain Friction Top **FCFT-5V**



UOM: 5 Meter / box

Application: (Safety Chain) Suitable for horizontal and slope $< 5^\circ$ but $\leq 30^\circ$ without accumulation.

Safety Chain Friction Top **FCFT-5V-C**



UOM: 5 Meter / box

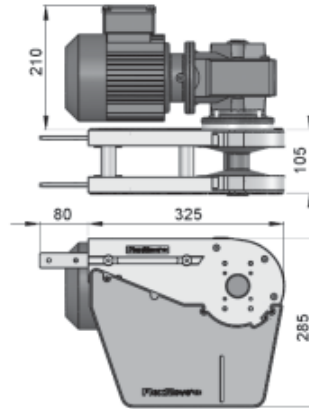
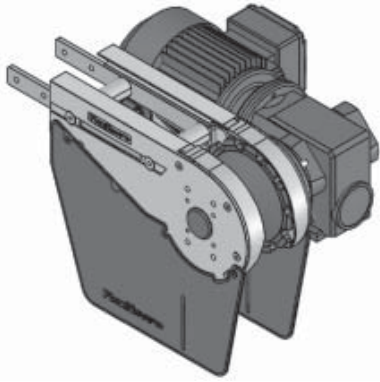
Application: (Safety Chain) Suitable for horizontal and slope $< 5^\circ$ but $\leq 35^\circ$ without accumulation.

FC Direct End Drive with Motor (LEFT)

FCDD-A105-0.25L, 0.37L, 0.55L

FC Direct End Drive without Motor (LEFT)

FCDD-A105-0L



Max Traction Force : 1250N

The Direct End Drive Unit is without torque limiter. Standard attached gear motors are with SEW motor size 0.25kW, 0.37kW & 0.55kW. FCDD-A105-0L represents direct drive without gear motor. Multi channel drives are available upon request.

UOM : pc Chain required 2-way : 0.8 meter Slide rail required 2-way: 0.5 meter

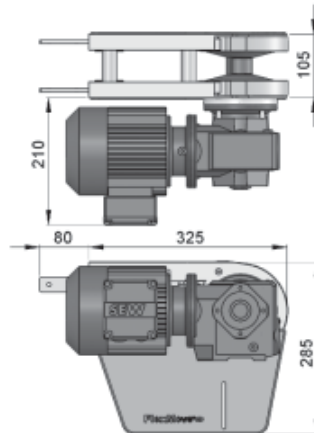
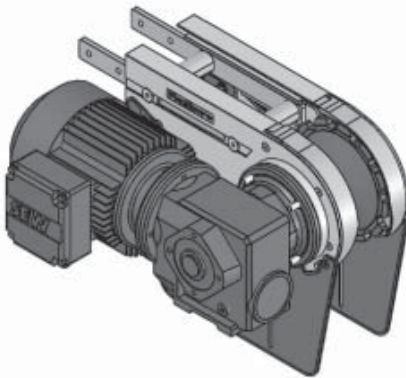
FC

FC Direct End Drive with Motor (RIGHT)

FCDD-A105-0.25R, 0.37R, 0.55R

FC Direct End Drive without Motor (RIGHT)

FCDD-A105-0R



Max Traction Force : 1250N

The Direct End Drive Unit is without torque limiter. Standard attached gear motors are with SEW motor size 0.25kW, 0.37kW & 0.55kW. FCDD-A105-0R represents direct drive without gear motor. Multi channel drives are available upon request.

UOM : pc Chain required 2-way : 0.8 meter Slide rail required 2-way: 0.5 meter

SEW gear motors are products of SEW Eurodrive

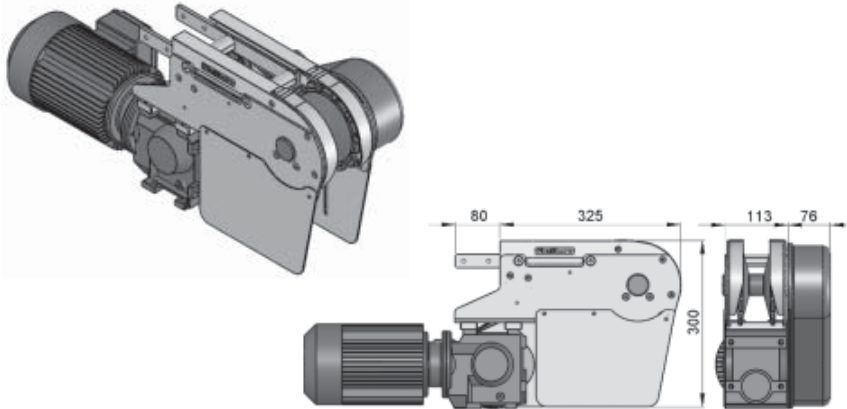
FC SERIES

FC Suspended End Drive with Motor (LEFT)

FCSD-A105-0.25L, 0.37L, 0.55L

FC Suspended End Drive without Motor (LEFT)

FCSD-A105-0L



Max Traction Force : 1250N

The Suspended End Drive Unit is with torque limiter. Standard attached gear motors are with SEW motor size 0.25kW, 0.37kW & 0.55kW. FCSD-A105-0L represents suspended drive without gear motor.

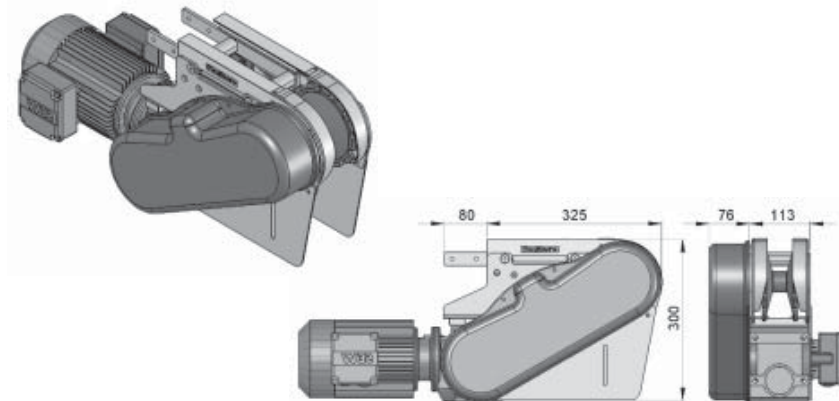
UOM : pc Chain required 2-way : 0.8 meter Slide rail required 2-way: 0.5 meter

FC Suspended End Drive with Motor (RIGHT)

FCSD-A105-0.25R, 0.37R, 0.55R

FC Suspended End Drive without Motor (RIGHT)

FCSD-A105-0R



Max Traction Force : 1250N

The Suspended End Drive Unit is with torque limiter. Standard attached gear motors are with SEW motor size 0.25kW, 0.37kW & 0.55kW. FCSD-A105-0R represents direct drive without gear motor.

UOM : pc Chain required 2-way : 0.8 meter Slide rail required 2-way: 0.5 meter

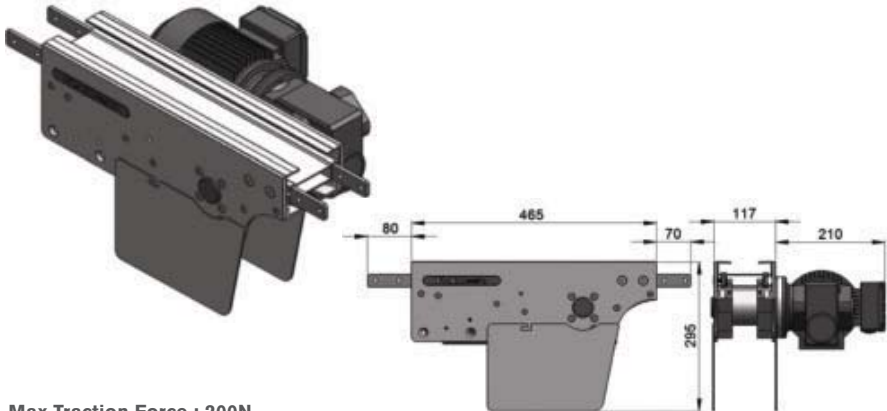
SEW gear motors are products of SEW Eurodrive

FC Direct Intermediate Drive with Motor (LEFT)

FCID-DD-0.25L1, 0.37L1, 0.55L1

FC Direct Intermediate Drive without Motor (LEFT)

FCDD-A105-0L



Max Traction Force : 200N

The Direct Intermediate Drive Unit is without torque limiter. Standard attached gear motors are with SEW motor size 0.25kW, 0.37kW & 0.55kW. FCID-DD-0L1 represents direct drive without gear motor. Maximum traction force for FCID-DD is lower than FCDD and FCSD.

UOM : pc Chain required 2-way : 0.8 meter Slide rail required 2-way: 0.5 meter

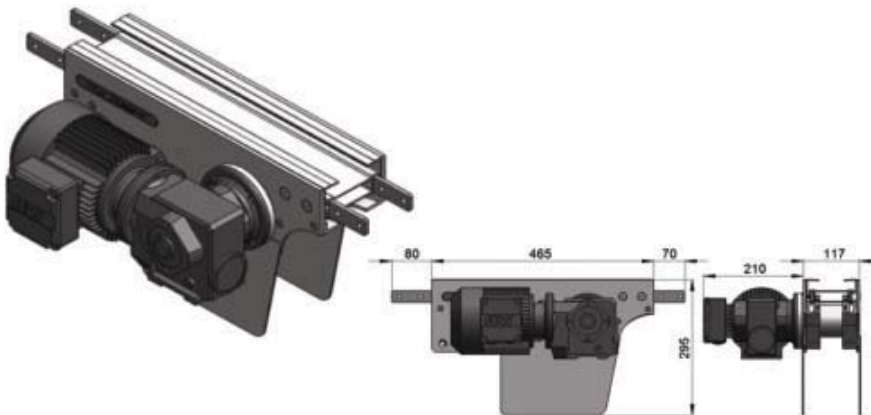
FC

FC Direct Intermediate Drive with Motor (RIGHT)

FCID-DD-0.25R1, 0.37R1, 0.55R1

FC Direct Intermediate Drive without Motor (RIGHT)

FCID-DD-0R1



Max Traction Force : 200N

The Direct Intermediate Drive Unit is without torque limiter. Standard attached gear motors are with SEW motor size 0.25kW, 0.37kW & 0.55kW. FCID-DD-0R1 represents direct drive without gear motor. Maximum traction force for FCID-DD is lower than FCDD and FCSD.

UOM : pc Chain required 2-way : 0.8 meter Slide rail required 2-way: 0.5 meter

SEW gear motors are products of SEW Eurodrive

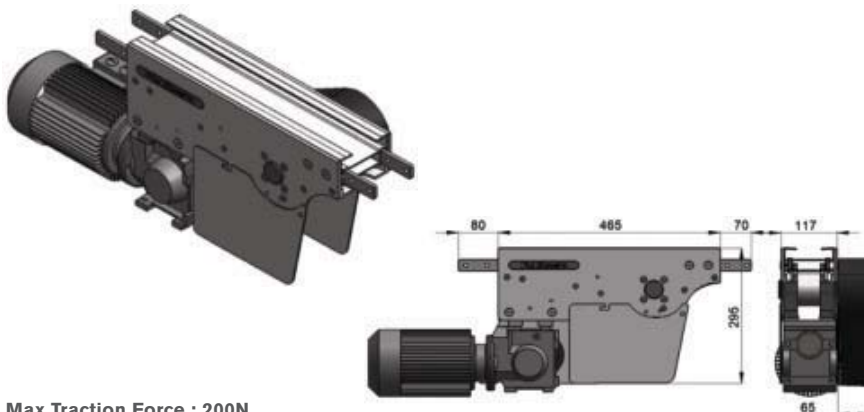
FC SERIES

FC Suspended Intermediate Drive with Motor (LEFT)

FC Suspended Intermediate Drive without Motor (LEFT)

FCID-SD-0.25L1, 0.37L1, 0.55L1

FCID-SD-0L1



Max Traction Force : 200N

The Suspended Intermediate Drive Unit is with torque limiter. Standard attached gear motors are with SEW motor size 0.25kW, 0.37kW & 0.55kW. FCID-SD-0L1 represents suspended drive without gear motor. Maximum traction force for FCID-SD is lower than FCDD and FCSD.

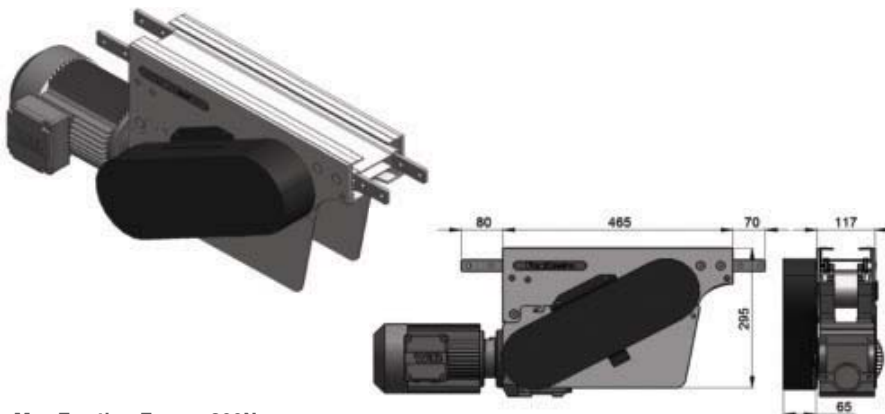
UOM : pc Chain required 2-way : 0.8 meter Slide rail required 2-way: 0.5 meter

FC Suspended Intermediate Drive with Motor (RIGHT)

FC Suspended Intermediate Drive without Motor (RIGHT)

FCID-SD-0.25R1, 0.37R1, 0.55R1

FCID-SD-0R1



Max Traction Force : 200N

The Suspended Intermediate Drive Unit is with torque limiter. Standard attached gear motors are with SEW motor size 0.25kW, 0.37kW & 0.55kW. FCID-SD-0R1 represents suspended drive without gear motor. Maximum traction force for FCID-SD is lower than FCDD and FCSD.

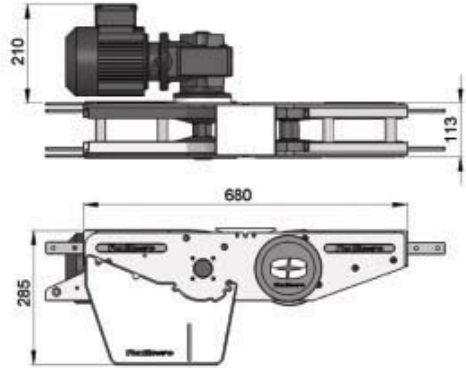
UOM : pc Chain required 2-way : 0.8 meter Slide rail required 2-way: 0.5 meter

SEW gear motors are products of SEW Eurodrive

FC Combined Direct Drive & Idler (LEFT)

FCCDI-DD-0.25L1, 0.37L1, 0.55L1

FCCDI-DD-0L1



Max Traction Force : 1250N

The Combine Direct End Drive Unit is without torque limiter. Standard attached gear motors are with SEW motorsize 0.25kW, 0.37kW & 0.55kW. FCCDI-DD-0L1 represents direct drive without gear motor.

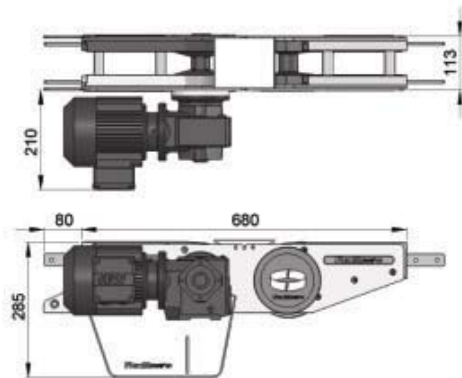
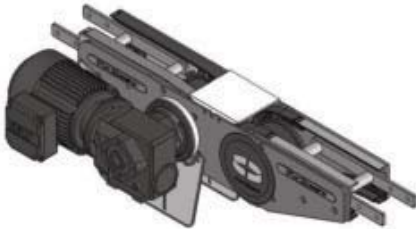
UOM : pc Chain required 2-way : 1.6 meter Slide rail required 2-way: 1.0 meter

FC

FC Combined Direct Drive & Idler (RIGHT)

FCCDI-DD-0.25R1, 0.37R1, 0.55R1

FCCDI-DD-0R1



Max Traction Force : 1250N

The Combine Direct End Drive Unit is without torque limiter. Standard attached gear motors are with SEW motor size 0.25kW, 0.37kW & 0.55kW. FCCDI-DD-0R1 represents direct drive without gear motor.

UOM : pc Chain required 2-way : 1.6 meter Slide rail required 2-way: 1.0 meter

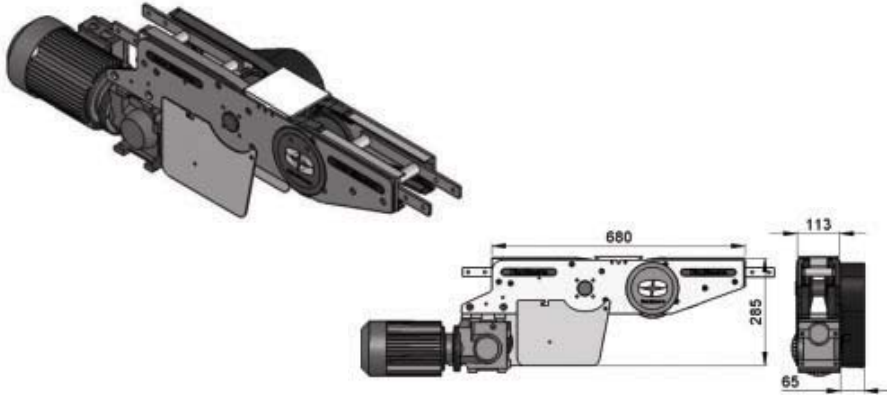
SEW gear motors are products of SEW Eurodrive

FC SERIES

FC Combined Suspended Drive & Idler (LEFT)

FCCDI-SD-0.25L1, 0.37L1, 0.55L1

FCCDI-SD-0L1



Max Traction Force : 1250N

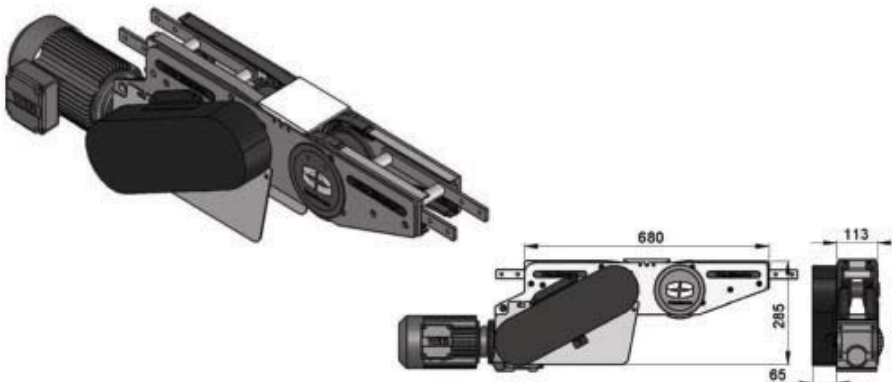
The Combine Suspended End Drive Unit is with torque limiter. Standard attached gear motors are with SEW motor size 0.25kW, 0.37kW & 0.55kW. FCCDI-SD-0L1 represents suspended drive without gear motor.

UOM : pc Chain required 2-way : 1.6 meter Slide rail required 2-way: 1.0 meter

FC Combined Suspended Drive & Idler (RIGHT)

FCCDI-SD-0.25R1, 0.37R1, 0.55R1

FCCDI-SD-0R1



Max Traction Force : 1250N

The Combine Suspended End Drive Unit is with torque limiter. Standard attached gear motors are with SEW motor size 0.25kW, 0.37kW & 0.55kW. FCCDI-SD-0R1 represents direct drive without gear motor.

UOM : pc Chain required 2-way : 1.6 meter Slide rail required 2-way: 1.0 meter

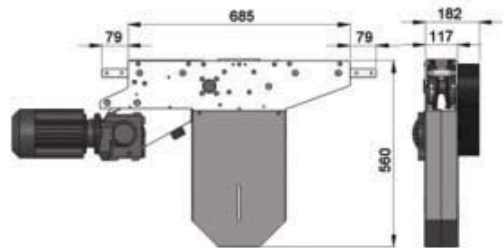
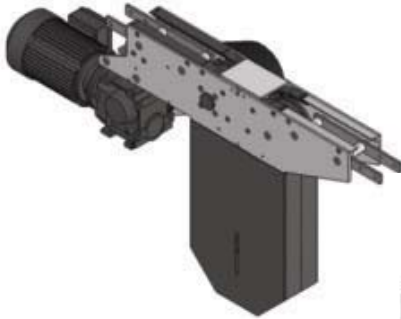
SEW gear motors are products of SEW Eurodrive

FC Suspended Catenary Drive with Motor (LEFT)

FC Suspended Catenary Drive without Motor (LEFT)

FCCD-SD-0.25L, 0.37L, 0.55L

FCCD-SD-0L



Max Traction Force : 1250N

The Suspended Catenary Drive Unit is with torque limiter. Standard attached gear motors are with SEW motor size 0.25kW, 0.37kW & 0.55kW. FCCD-SD-0L represents suspended drive without gear motor.

UOM : pc Chain required 1-way : 1.4 meter Slide rail required 1-way: 1.0 meter

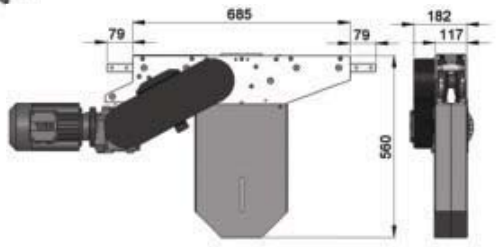
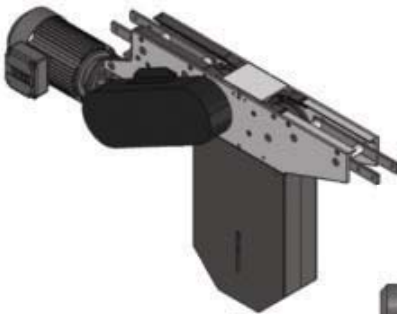
FC

FC Suspended Catenary Drive with Motor (RIGHT)

FC Suspended Catenary Drive without Motor (RIGHT)

FCCD-SD-0.25R, 0.37R, 0.55R

FCCD-SD-0R



Max Traction Force : 1250N

The Suspended Catenary Drive Unit is with torque limiter. Standard attached gear motors are with SEW motor size 0.25kW, 0.37kW & 0.55kW. FCCD-SD-0R represents suspended drive without gear motor.

UOM : pc Chain required 1-way : 1.4 meter Slide rail required 1-way: 1.0 meter

SEW gear motors are products of SEW Eurodrive

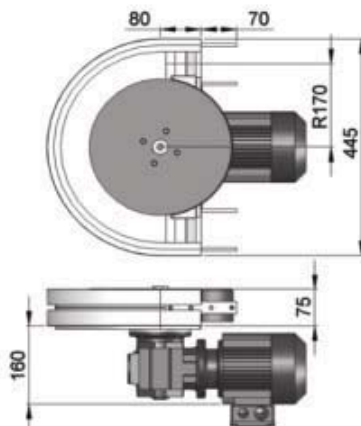
FC SERIES

FC Direct Wheel Drive with Motor

FCWD-0.25, 0.37, 0.55

FC Direct Wheel Drive without Motor

FCWD-DD-0M



Max Traction Force : 200N

The Direct Wheel Drive Unit is without torque limiter. Standard attached gear motors are with SEW motor size 0.25kW, 0.37kW & 0.55kW. FCWD-DD-0M represents wheel drive without gear motor. Maximum traction force for FCWD-DD is lower than FCDD and FCSD.

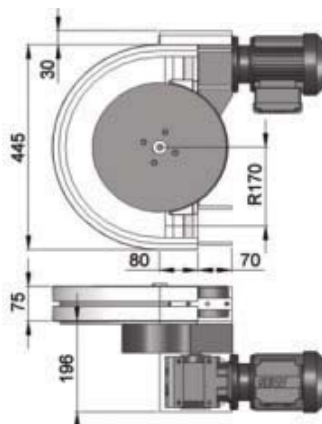
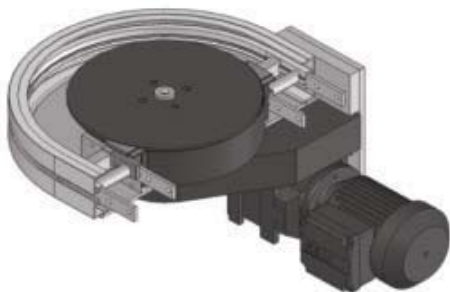
UOM : pc Chain required 1-way : 0.7 meter Slide rail required 1-way: 0.7 meter

FC Suspended Wheel Drive with Motor

FCWD-SD-0.25, 0.37, 0.55

FC Suspended Wheel Drive without Motor

FCWD-SD-0M



Max Traction Force : 200N

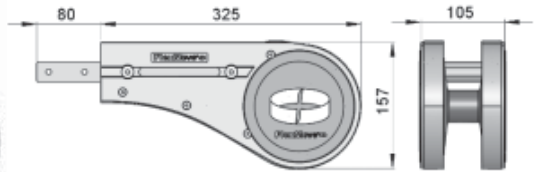
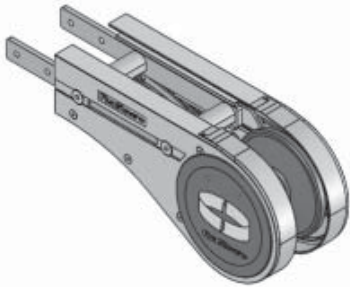
The Suspended Wheel Drive Unit is with torque limiter. Standard attached gear motors are with SEW motor size 0.25kW, 0.37kW & 0.55kW. FCWD-SD-0M represents wheel drive without motor. Maximum traction force for FCWD-SD is lower than FCDD and FCSD.

UOM : pc Chain required 1-way : 0.7 meter Slide rail required 1-way: 0.7 meter

SEW gear motors are products of SEW Eurodrive

FC Idler End-105

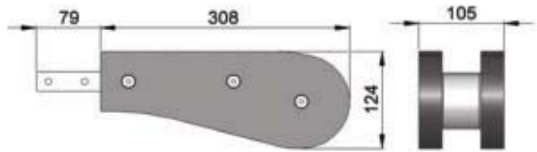
FCIE-A105



UOM : pc Chain required 2-way : 0.8 meter Slide rail required 2-way: 0.5 meter

FC Idler End-308

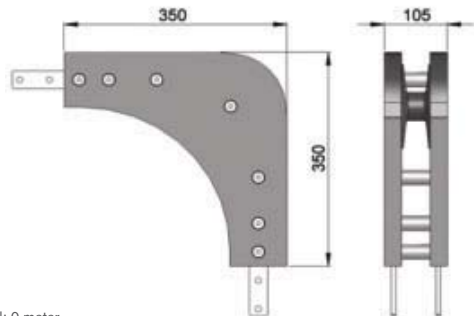
FCIE-308



UOM : pc Chain required 2-way : 0.7 meter Slide rail required 2-way: 0

FC Idler Bend

FCIB-350



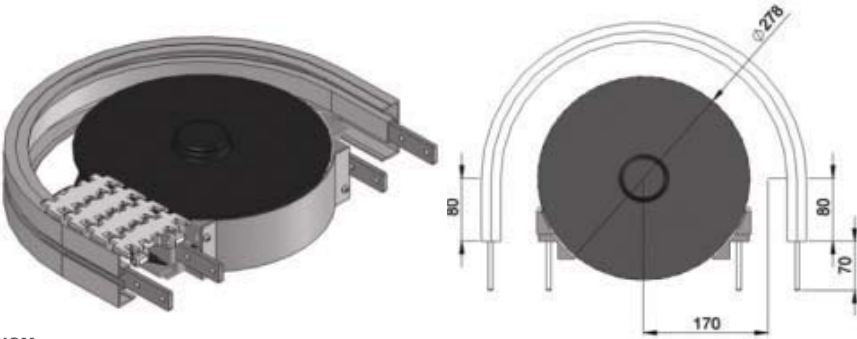
UOM : pc Chain required 1-way : 0.6 meter Slide rail: 0 meter
Note: Cannot be used with return chain

FC

FC SERIES

FC Wheel Bend 180°

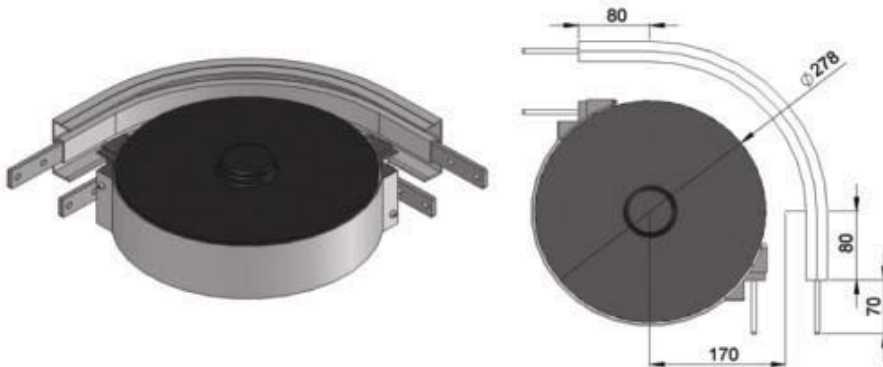
FCWB-180R170A



UOM : pc Chain required 2-way : 1.3 meter Slide rail required 2-way : 2.8 meter

FC Wheel Bend 90°

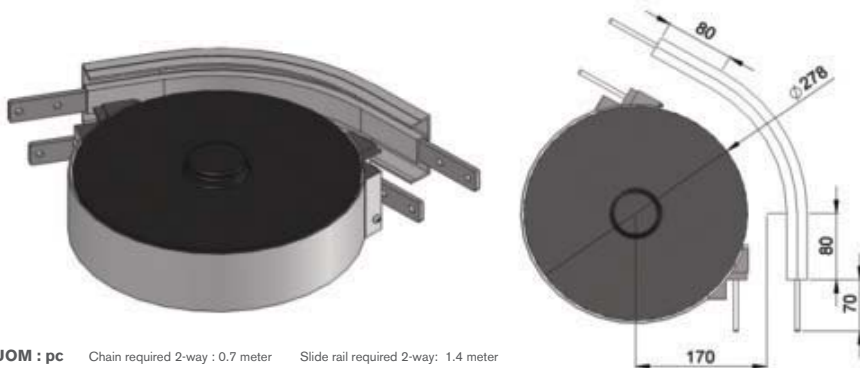
FCWB-90R170A



UOM : pc Chain required 2-way : 0.9 meter Slide rail required 2-way : 1.7 meter

FC Wheel Bend 60°

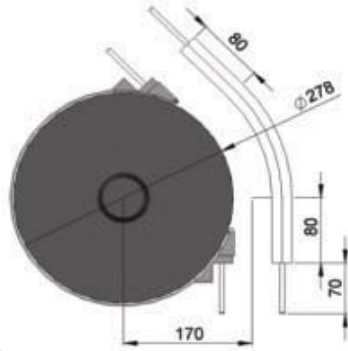
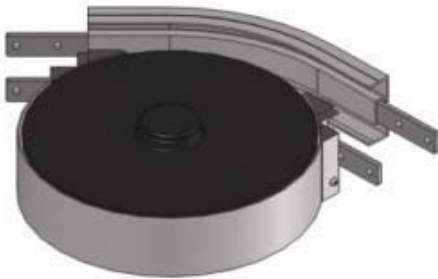
FCWB-60R170A



UOM : pc Chain required 2-way : 0.7 meter Slide rail required 2-way : 1.4 meter

FC Wheel Bend 45°

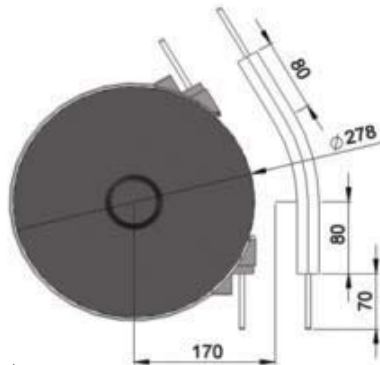
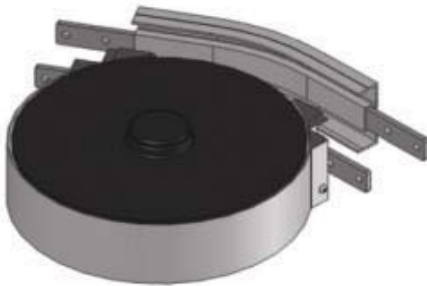
FCWB-45R170A



UOM : pc Chain required 2-way : 0.6 meter Slide rail required 2-way: 1.2 meter

FC Wheel Bend 30°

FCWB-30R170A



UOM : pc Chain required 2-way : 0.5 meter Slide rail required 2-way: 1.0 meter

FC Wheel Bend 5° - 180°

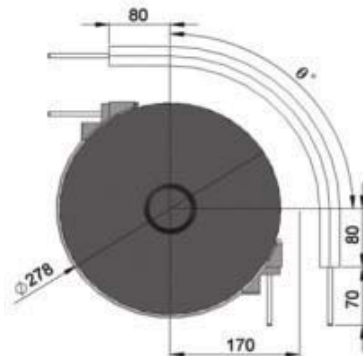
Example for FC Wheel Bend Ordering

- Wheel bend, $\varnothing^\circ \pm 1^\circ$
- FCWB- \varnothing° R170A

If an angle of 65° is needed for wheel bend, so the ordering part number is

FCWB-65R170A

The outer bend is assembled using connecting strip (FACS-25x140A). Angle of \varnothing° must be indicated when ordering.



FC

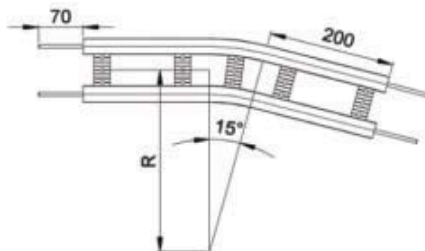
FC SERIES

FC Horizontal Plain Bend 15°



UOM : pc

Chain required 2-way (300, 500, 700, 1000) : 1, 1.1, 1.2, 1.4 meter
 Slide rail required 2-way(300, 500, 700, 1000): 2, 2.2, 2.4, 2.8 meter



Horizontal plain bend, 15° ± 1°

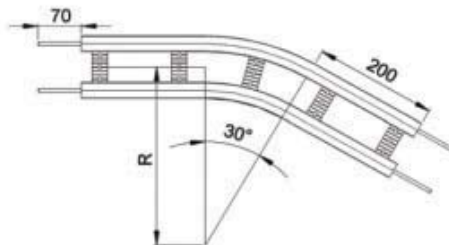
| | |
|-----------------|---------------------|
| R = 300 ± 10mm | FCHB-15R300 |
| R = 500 ± 10mm | FCHB-15R500 |
| R = 700 ± 10mm | FCHB-15R700 |
| R = 1000 ± 10mm | FCHB-15R1000 |

FC Horizontal Plain Bend 30°



UOM : pc

Chain required 2-way (300, 500, 700, 1000) : 1.2, 1.4, 1.6, 1.9 meter
 Slide rail required 2-way(300, 500, 700, 1000): 2.4, 2.8, 3.2, 3.8 meter



Horizontal plain bend, 30° ± 1°

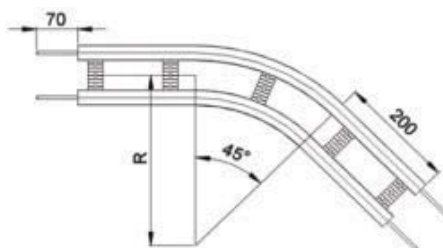
| | |
|-----------------|---------------------|
| R = 300 ± 10mm | FCHB-30R300 |
| R = 500 ± 10mm | FCHB-30R500 |
| R = 700 ± 10mm | FCHB-30R700 |
| R = 1000 ± 10mm | FCHB-30R1000 |

FC Horizontal Plain Bend 45°



UOM : pc

Chain required 2-way (300, 500, 700, 1000) : 1.3, 1.6, 1.9, 2.4 meter
 Slide rail required 2-way(300, 500, 700, 1000): 2.5, 2.9, 3.3, 3.9 meter



Horizontal plain bend, 45° ± 1°

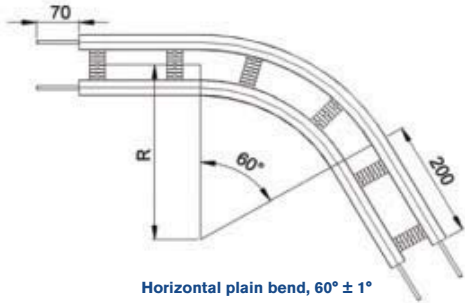
| | |
|-----------------|---------------------|
| R = 300 ± 10mm | FCHB-45R300 |
| R = 500 ± 10mm | FCHB-45R500 |
| R = 700 ± 10mm | FCHB-45R700 |
| R = 1000 ± 10mm | FCHB-45R1000 |

FC Horizontal Plain Bend 60°



UOM : pc

Chain required 2-way (300, 500, 700, 1000) : 1.5, 1.9, 2.3, 2.9 meter
 Slide rail required 2-way(300, 500, 700, 1000): 2.9, 3.7, 4.6, 5.8 meter



Horizontal plain bend, 60° ± 1°

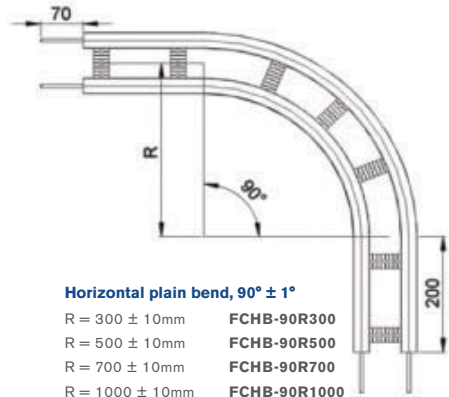
- R = 300 ± 10mm **FCHB-60R300**
- R = 500 ± 10mm **FCHB-60R500**
- R = 700 ± 10mm **FCHB-60R700**
- R = 1000 ± 10mm **FCHB-60R1000**

FC Horizontal Plain Bend 90°



UOM : pc

Chain required 2-way (300, 500, 700, 1000) : 1.8, 2.4, 3.0, 4.0 meter
 Slide rail required 2-way(300, 500, 700, 1000): 3.5, 4.8, 6.0, 8.0 meter

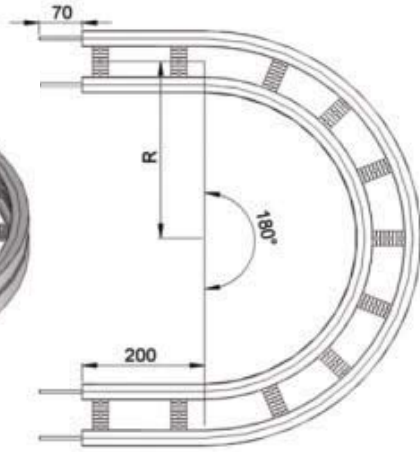
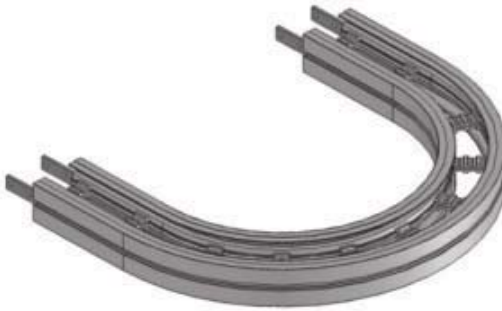


Horizontal plain bend, 90° ± 1°

- R = 300 ± 10mm **FCHB-90R300**
- R = 500 ± 10mm **FCHB-90R500**
- R = 700 ± 10mm **FCHB-90R700**
- R = 1000 ± 10mm **FCHB-90R1000**

FC SERIES

FC Horizontal Plain Bend 180°



UOM : pc

Chain required 2-way (300, 500, 700, 1000) : 2.7, 4.0, 5.2, 7.1 meter
 Slide rail required 2-way(300, 500, 700, 1000): 5.4, 7.9, 1.1, 14.2 meter

Horizontal plain bend, 180° ± 1°

| | |
|-----------------|----------------------|
| R = 300 ± 10mm | FCHB-180R300 |
| R = 500 ± 10mm | FCHB-180R500 |
| R = 700 ± 10mm | FCHB-180R700 |
| R = 1000 ± 10mm | FCHB-180R1000 |

FC Horizontal Plain Bend 5° - 180°

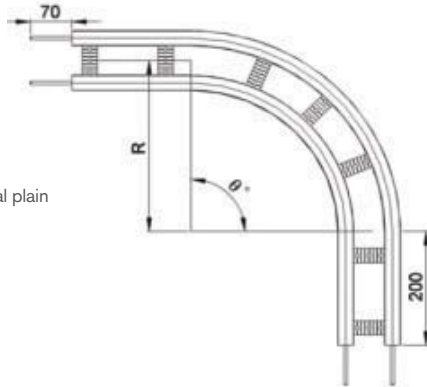
Example for FC Horizontal Plain Bend Ordering

Horizontal plain bend, $\theta^\circ \pm 1^\circ$

| | |
|-----------------|---|
| R = 300 ± 10mm | FCHB- θ°R300 |
| R = 500 ± 10mm | FCHB- θ°R500 |
| R = 700 ± 10mm | FCHB- θ°R700 |
| R = 1000 ± 10mm | FCHB- θ°R1000 |

If an angle of 120° is needed for radius R500 horizontal plain bend, so the ordering part number is

FCHB-120R500

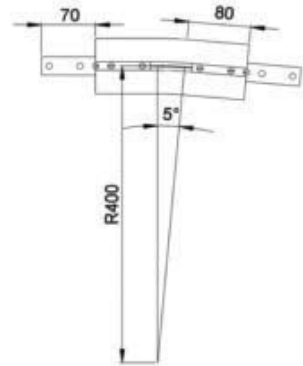
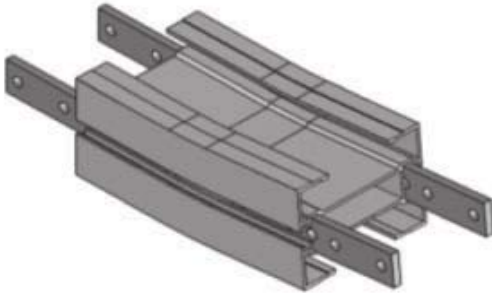


UOM : pc

Chain required 2-way (300, 500, 700, 1000) : meter (variable to angle)
 Slide rail required 2-way(300, 500, 700, 1000): meter (variable to angle)

FC Vertical Bend 5°

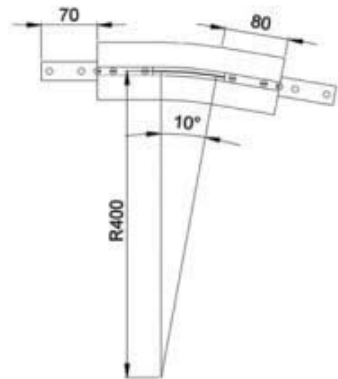
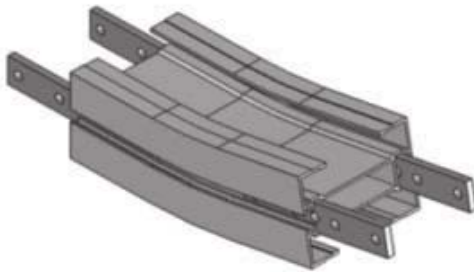
FCVB-5R400



UOM : pc Chain required 2-way: 0.4 meter Slide rail required 2-way: 0.8 meter

FC Vertical Bend 10°

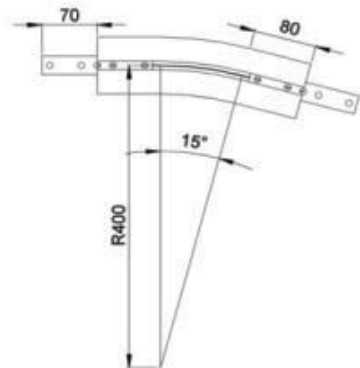
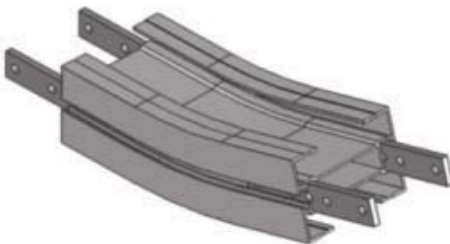
FCVB-10R400



UOM : pc Chain required 2-way: 0.5 meter Slide rail required 2-way: 1.0 meter

FC Vertical Bend 15°

FCVB-15R400



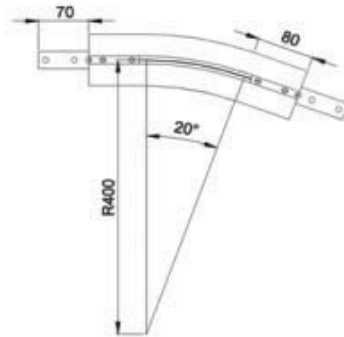
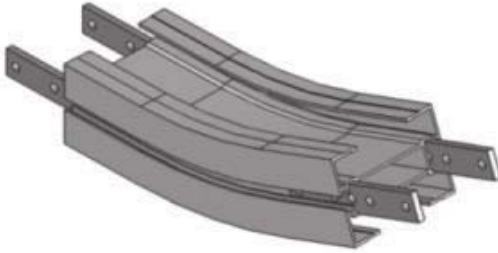
UOM : pc Chain required 2-way: 0.6 meter Slide rail required 2-way: 1.1 meter

FC

FC SERIES

FC Vertical Bend 20°

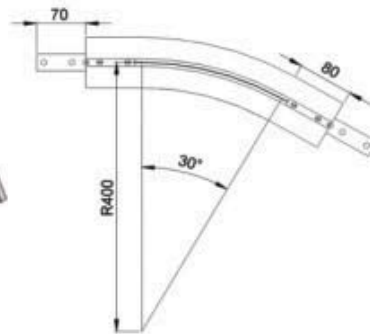
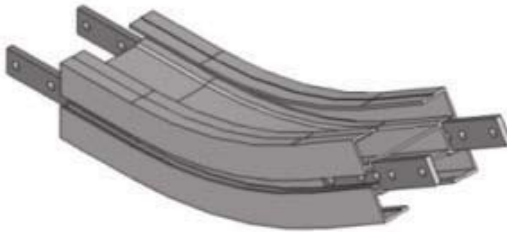
FCVB-20R400



UOM : pc Chain required 2-way: 0.6 meter Slide rail required 2-way: 1.2 meter

FC Vertical Bend 30°

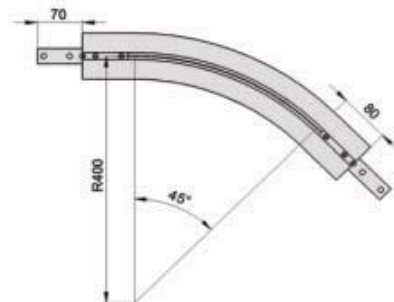
FCWB-180R170A



UOM : pc Chain required 2-way: 0.8 meter Slide rail required 2-way: 1.5 meter

FC Vertical Bend 45°

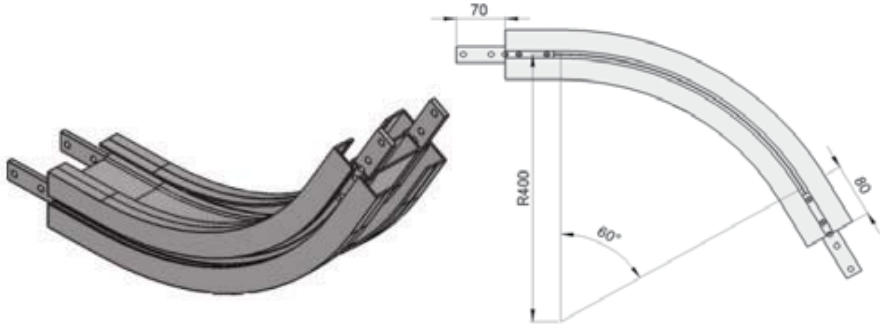
FCVB-45R400



UOM : pc Chain required 2-way: 1.0 meter Slide rail required 2-way: 1.9 meter

FC Vertical Bend 60°

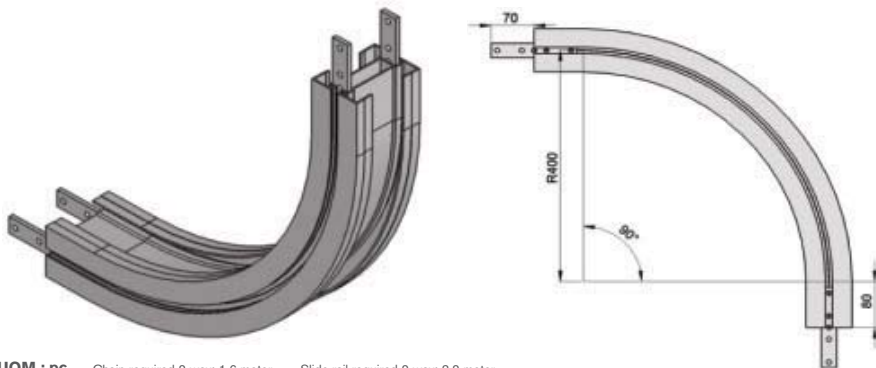
FCVB-60R400



UOM : pc Chain required 2-way: 1.2 meter Slide rail required 2-way: 2.4 meter

FC Vertical Bend 90°

FCVB-90R400



UOM : pc Chain required 2-way: 1.6 meter Slide rail required 2-way: 3.2 meter

FC Vertical 5° - 90°

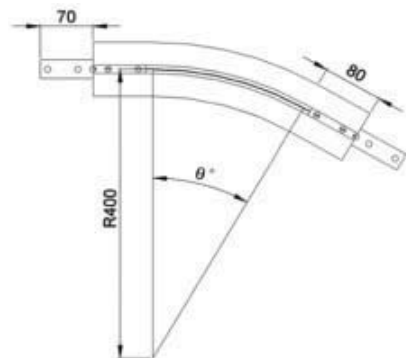
Example for FC Vertical Bend Ordering

- Vertical bend, $\theta^\circ \pm 1^\circ$
- FCVB- θ° R400

If an angle of 65° is needed for vertical bend, so the ordering part number is

FCVB-65R400

The outer bend is assembled using connecting strip (FACS-25x140A). Angle of "θ°" must be indicated when ordering.



FC