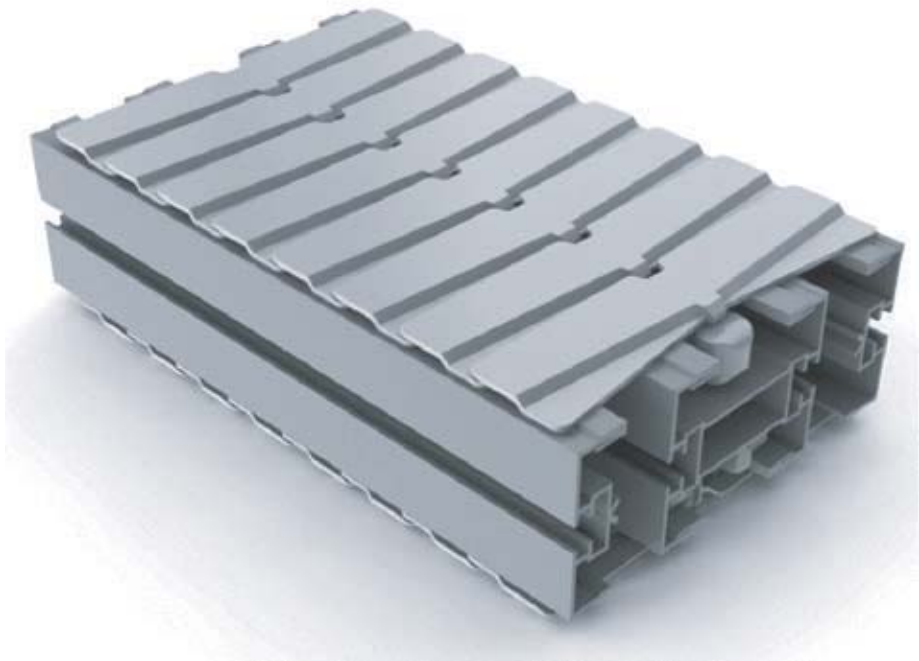


**FlexMove**

NEW

**FU**  
180mm  
Conveyor  
System



FU

## FU SERIES

Variety of chain type suitable for wide range of applications either horizontal or vertically product transportation. The maximum product width to be conveyed can be referred to guide rail assembly pages.

### FU180 Series Characteristic

**Beam Width:** 179mm

**Product Width:** Refer to Guide Rail Assembly

### Accessories Needed

**Slide Rail Required:** FASR-25 , FASR-25U , FASR-25X

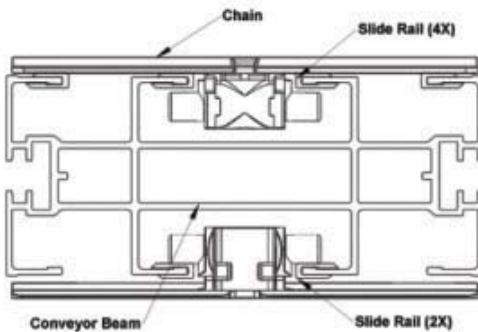
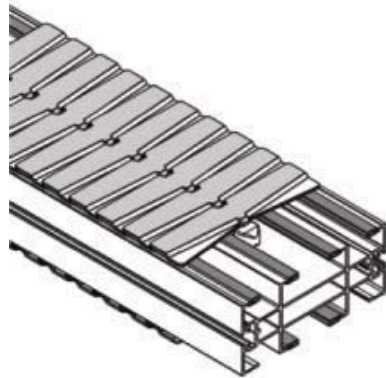
**Slide Rail Colour:** White Or Natural Colour

**Slide Rail Material:** HDPE , UHMW OR SPECIAL PE

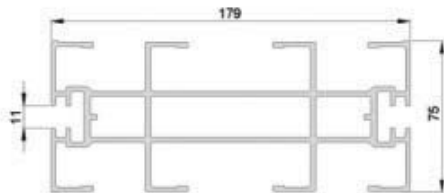
**Slide Rail Rivet & Screw:** FASLR-4X6 or FASLS-M5

Connecting strip is used to connect 2 beams.

**Connecting Strip:** FACS-25x140A

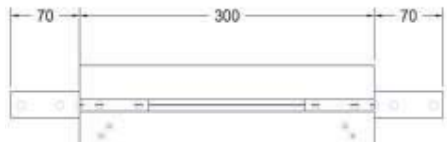


### Conveyor Beam **FUCB-3**



UOM : 3 Meter / Length

### Conveyor Beam **FUCC-300**



UOM : 3 Meter / Length

**Chain Common Data**

**Packaging:** 5m per box

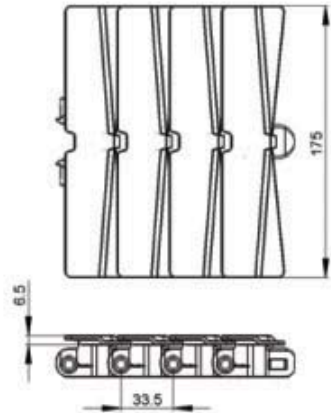
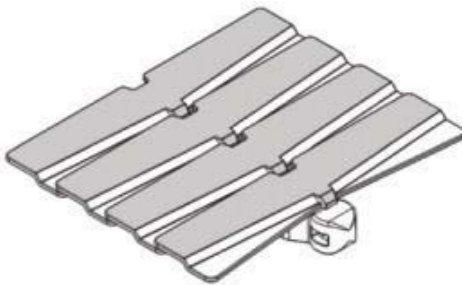
**Pitch:** 33.5mm

**Width:** 175mm

Tensile Strength at 20°C: 6000N

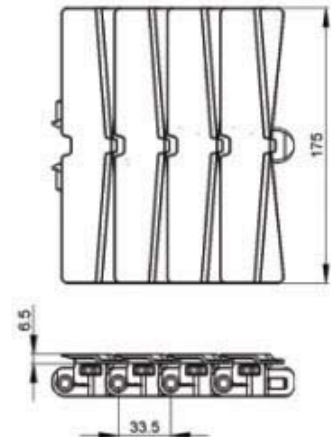
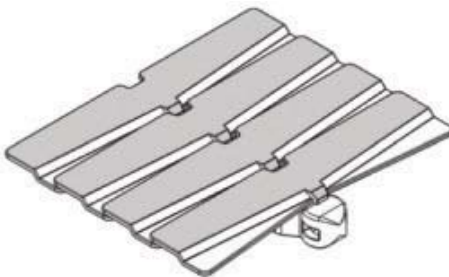
**Colour:** White & Black (Conductive)

**Plain Chain FUPC-5**



**UOM :** pc Application: Suitable for horizontal and slope <math>< 5^\circ</math> transport of products with accumulation.

**Roller Plain Chain FUPC-5R**

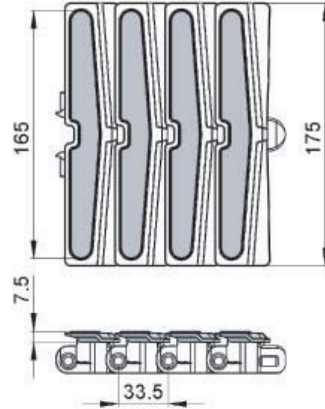


**Friction Reducing Roller Chain  
PATENT PENDING**

**UOM :** pc Application: Suitable for horizontal and slope <math>< 5^\circ</math> transport of products with accumulation.

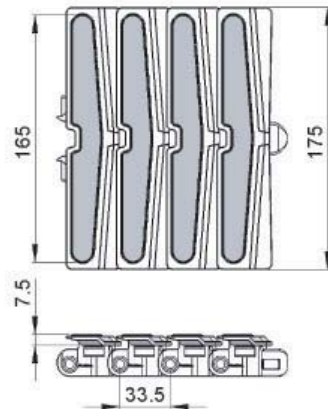
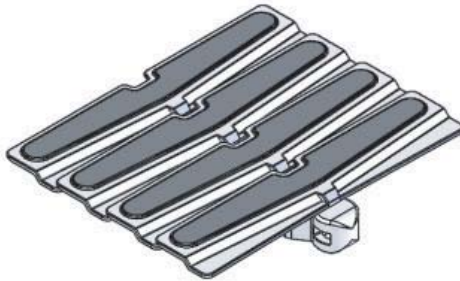
## FU SERIES

### Friction Top Chain **FUFT-5**



**UOM : 5 Meter / box** Application: Suitable for horizontal and slope  $< 5^\circ$  transport of products with accumulation.

### Roller Friction Top Chain **FUFT-5R**



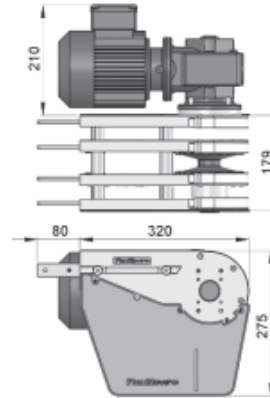
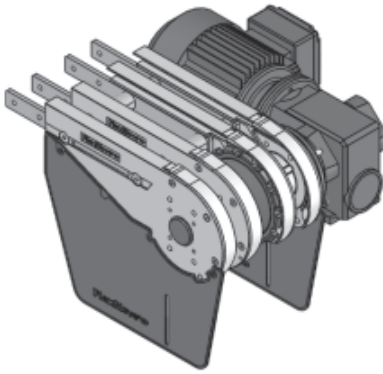
### Friction Reducing Roller Chain **PATENT PENDING**

**UOM : 5 Meter / box** Application: Suitable for horizontal and slope  $< 5^\circ$  transport of products with accumulation.

FU Direct End Drive with Motor (LEFT)

FUDD-A180-025R, 0.37L, 0.55L

FUDD-A180-0L



**Max Traction Force : 1250N**

The Direct End Drive Unit is without torque limiter. Standard attached gear motors are with SEW motor size 0.25kW, 0.37kW & 0.55kW. FUDD-A180-0L represents direct drive without gear motor. Multi channel drives are available upon request.

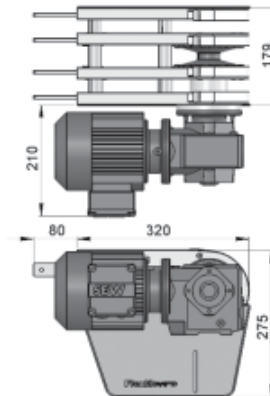
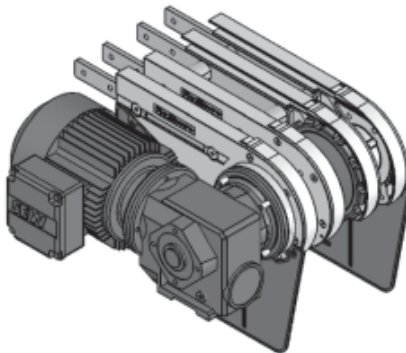
**UOM : pc** Chain required 2-way : 0.8 meter Slide rail required 2-way : 0 meter

FU

FU Direct End Drive with Motor (RIGHT)

FUDD-A180-025R, 0.37R, 0.55R

FUDD-A180-0R



**Max Traction Force : 1250N**

The Direct End Drive Unit is without torque limiter. Standard attached gear motors are with SEW motor size 0.25kW, 0.37kW & 0.55kW. FUDD-A180-0R represents direct drive without gear motor. Multi channel drives are available upon request.

**UOM : pc** Chain required 2-way : 0.8 meter Slide rail required 2-way : 0 meter

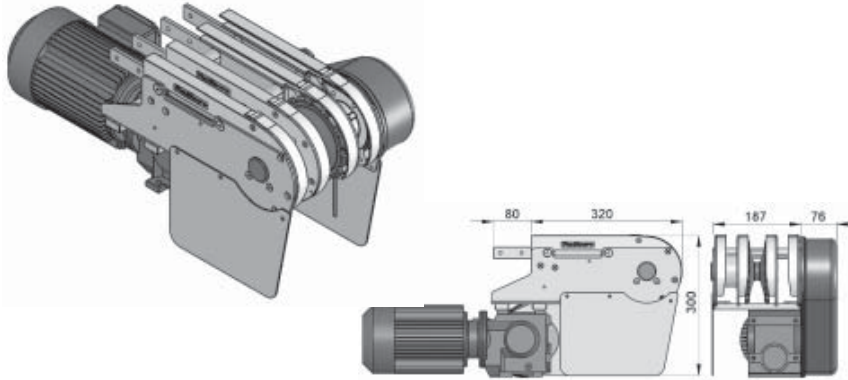
SEW gear motors are products of SEW Eurodrive

# FU SERIES

## FU Suspended Drive with Motor (LEFT)

FUSD-A180-0.25L, 0.37L, 0.55L

FUSD-A180-0L



### Max Traction Force : 1250N

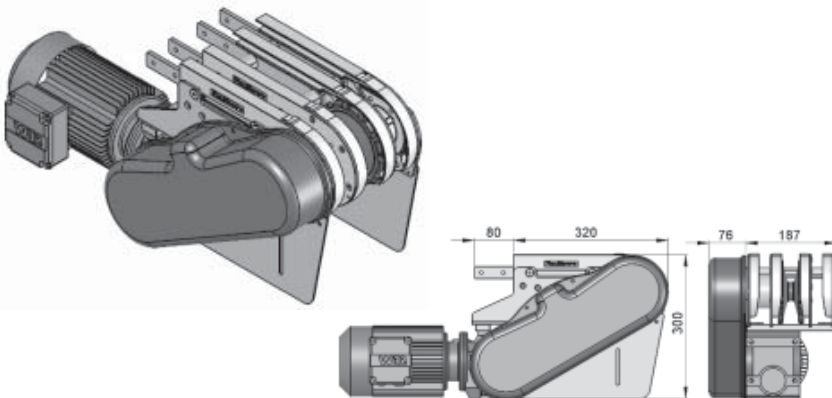
The Direct End Drive Unit is without torque limiter. Standard attached gear motors are with SEW motor size 0.25kW, 0.37kW & 0.55kW. FUSD-A180-0L represents direct drive without gear motor. Multi channel drives are available upon request.

**UOM : pc** Chain required 2-way : 0.8 meter Slide rail required 2-way : 0 meter

## FU Suspended Drive with Motor (RIGHT)

FUSD-A180-0.25R, 0.37R, 0.55R

FUSD-A180-0R

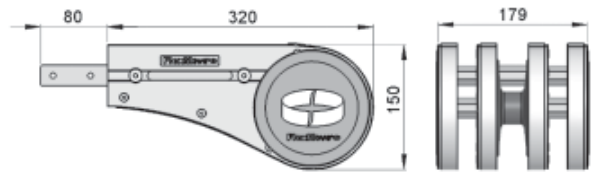
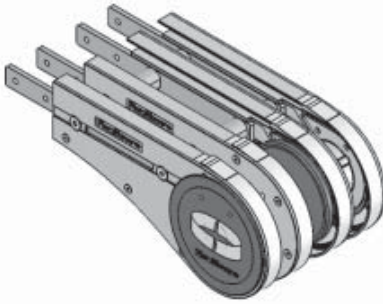


### Max Traction Force : 1250N

The Direct End Drive Unit is without torque limiter. Standard attached gear motors are with SEW motor size 0.25kW, 0.37kW & 0.55kW. FUSD-A180-0R represents direct drive without gear motor. Multi channel drives are available upon request.

**UOM : pc** Chain required 2-way : 0.8 meter Slide rail required 2-way : 0 meter

FU Idler End 180 **FUIE-A180**



**UOM : pc** Chain required 2-way: 0.8 meter Slide rail required 2-way: 0.5 meter

FU



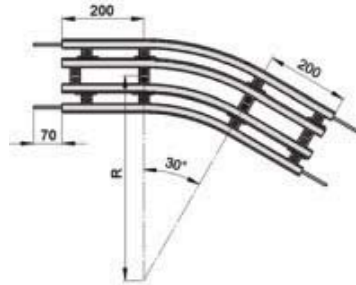
# FU SERIES

## FU Horizontal Plain Bend 30°



**UOM : pc**

Chain required 2-way ( 500, 700, 1000 ) : 2.2 , 2.4 , 2.7 meter  
 Slide rail required 2-way( 500, 700, 1000): 5.4 , 6.3, 7.5 meter



**Horizontal plain bend, 30° ± 1°**

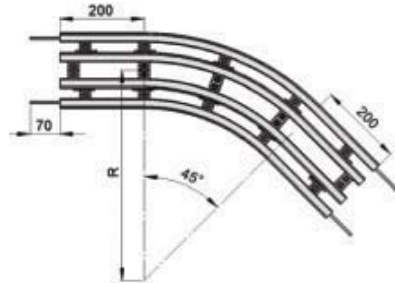
R = 500 ± 10mm      **FUHB-30R500**  
 R = 700 ± 10mm      **FUHB-30R700**  
 R = 1000 ± 10mm     **FUHB-30R1000**

## FU Horizontal Plain Bend 45°



**UOM : pc**

Chain required 2-way ( 500, 700, 1000 ) : 2.5 , 2.8, 3.2 meter  
 Slide rail required 2-way( 500, 700, 1000): 6.5, 7.7 , 9.6 meter



**Horizontal plain bend, 45° ± 1°**

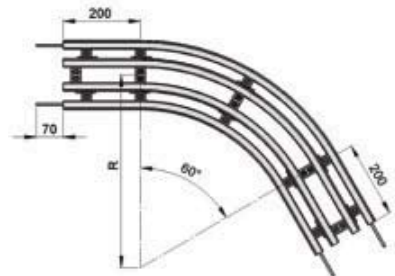
R = 500 ± 10mm      **FUHB-45R500**  
 R = 700 ± 10mm      **FUHB-45R700**  
 R = 1000 ± 10mm     **FUHB-45R1000**

## FU Horizontal Plain Bend 60°



**UOM : pc**

Chain required 2-way ( 500, 700, 1000 ) : 2.7, 3.1 , 3.8 meter  
 Slide rail required 2-way( 500, 700, 1000): 7.5, 9.2, 12.0 meter

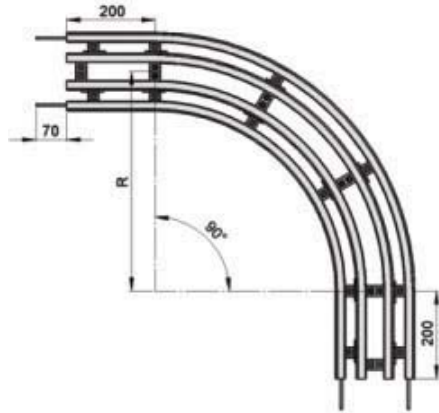


**Horizontal plain bend, 60° ± 1°**

R = 500 ± 10mm      **FUHB-60R500**  
 R = 700 ± 10mm      **FUHB-60R700**  
 R = 1000 ± 10mm     **FUHB-60R1000**



FU Horizontal Plain Bend 90°



UOM : pc

Chain required 2-way ( 500, 700, 1000 ) : 3.2 , 3.9, 4.7 meter  
 Slide rail required 2-way( 500, 700, 1000): 9.6, 12.1 , 16.0 meter

Horizontal plain bend, 90° ± 1°

- |                 |                     |
|-----------------|---------------------|
| R = 500 ± 10mm  | <b>FUHB-90R500</b>  |
| R = 700 ± 10mm  | <b>FUHB-90R700</b>  |
| R = 1000 ± 10mm | <b>FUHB-90R1000</b> |

FU

FU Horizontal Plain Bend 5° - 180°

Example for FU Horizontal Plain Bend Ordering

Horizontal plain bend,  $\theta^\circ \pm 1^\circ$

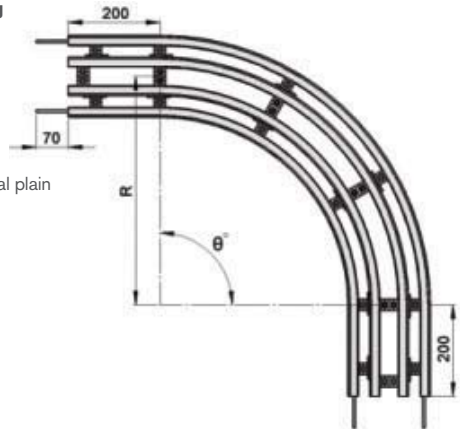
- |                 |  |
|-----------------|--|
| R = 500 ± 10mm  | <b>FUHB - <math>\theta^\circ</math>R500</b>  |
| R = 700 ± 10mm  | <b>FUHB - <math>\theta^\circ</math>R700</b>  |
| R = 1000 ± 10mm | <b>FUHB - <math>\theta^\circ</math>R1000</b> |

If an angle of 120° is needed for radius R500 horizontal plain bend, so the ordering part number is

**FUHB-120R500**

UOM : pc

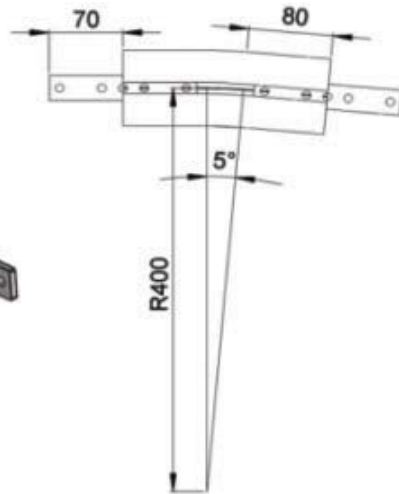
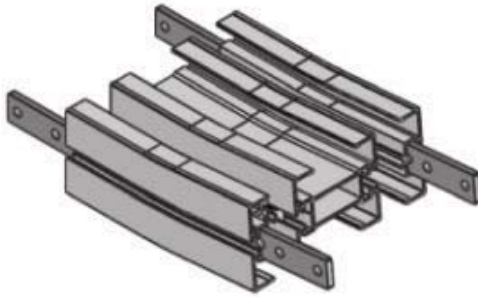
Chain required 2-way ( 500, 700, 1000 ) : meter (variable to angle)  
 Slide rail required 2-way( 500, 700, 1000): meter (variable to angle)



## FU SERIES

FU Vertical Bend 5°

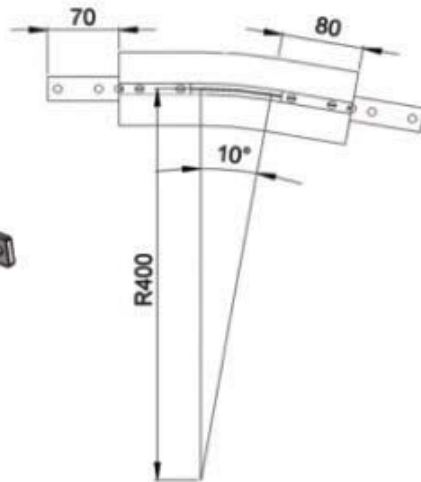
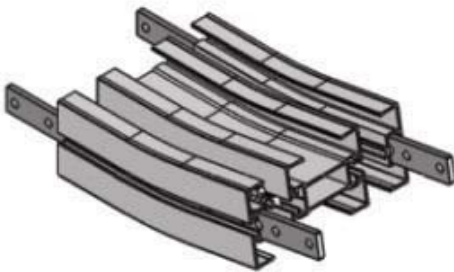
FUVB-5R400



**UOM : pc** Chain required 2-way: 0.4 meter Slide rail required 2-way: 1.6 meter

FU Vertical Bend 10°

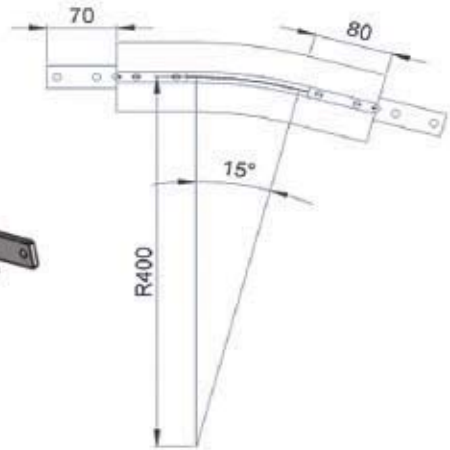
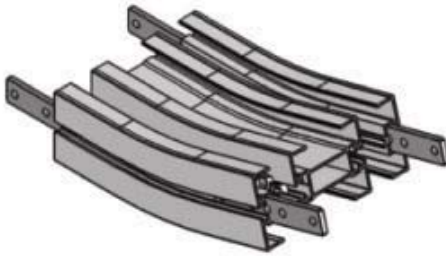
FUVB-10R400



**UOM : pc** Chain required 2-way: 0.5 meter Slide rail required 2-way: 1.9 meter

FU Vertical Bend 15°

FUVB-15R400

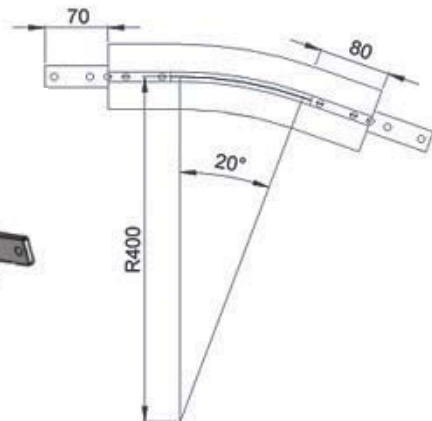
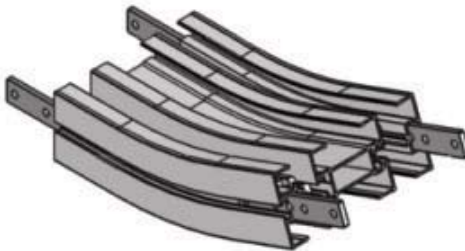


**UOM : pc** Chain required 2-way: 0.6 meter Slide rail required 2-way: 2.2 meter

FU

FU Vertical Bend 20°

FUVB-20R400

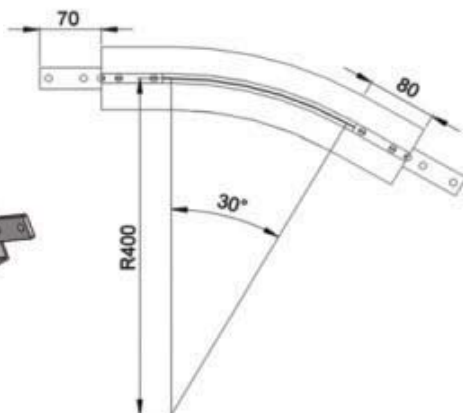
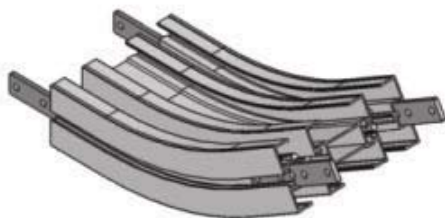


**UOM : pc** Chain required 2-way: 0.6 meter Slide rail required 2-way: 2.5 meter

## FU SERIES

FU Vertical Bend 30°

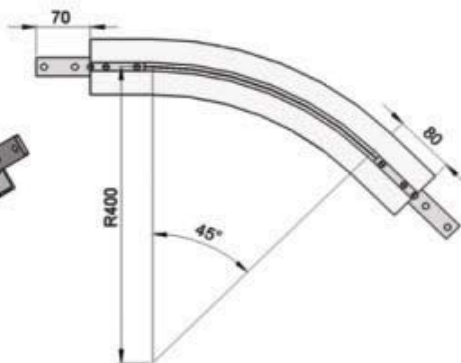
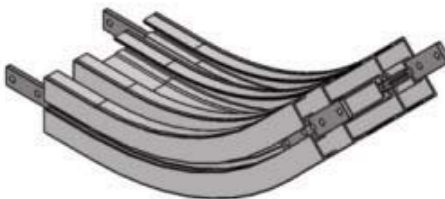
FUVB-30R400



**UOM : pc** Chain required 2-way: 0.8 meter Slide rail required 2-way: 3.0 meter

FU Vertical Bend 45°

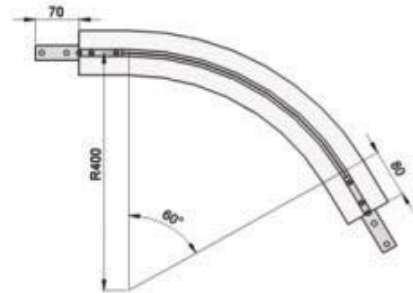
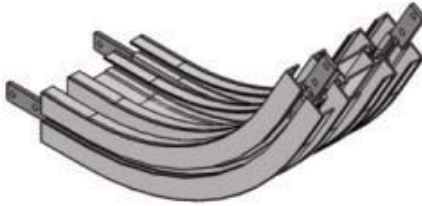
FUVB-45R400



**UOM : pc** Chain required 2-way: 1.0 meter Slide rail required 2-way: 3.9 meter

FU Vertical Bend 60°

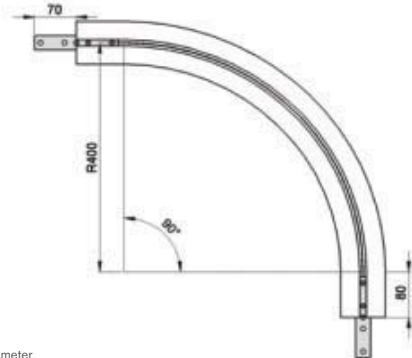
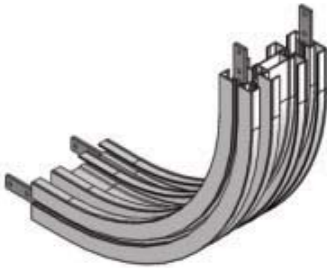
FUVB-60R400



UOM : pc Chain required 2-way: 1.2 meter Slide rail required 2-way: 4.7 meter

FU Vertical Bend 90°

FUVB-90R400



UOM : pc Chain required 2-way: 1.6 meter Slide rail required 2-way: 6.4 meter

FU Vertical Bend 5° - 90°

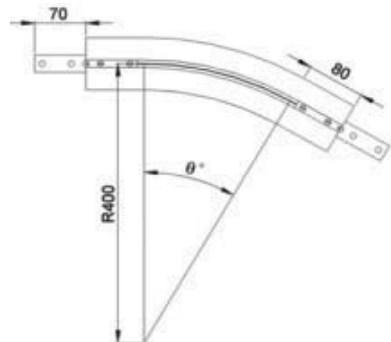
Example for FU Vertical Bend Ordering

- Vertical bend,  $\varnothing^\circ \pm 1^\circ$
- FUVB- $\varnothing^\circ$ R400

If an angle of 65° is needed for vertical bend, so the ordering part number is

**FUVB-65R400**

*The outer bend is assembled using connecting strip (FACS-25x140A).  
Angle of "°" must be indicated when ordering.*



FU