

Variety of chain type suitable for wide range of applications either horizontal or vertically product transportation. The maximum product width to be conveyed can be referred to guide rail assembly pages.

FU180 Series Characteristic

Beam Width: 179 mm

Product Width: Refer to Guide Rail Assembly

Accessories Needed

Slide Rail Required: FASR-25 , FASR-25U , FASR-25X

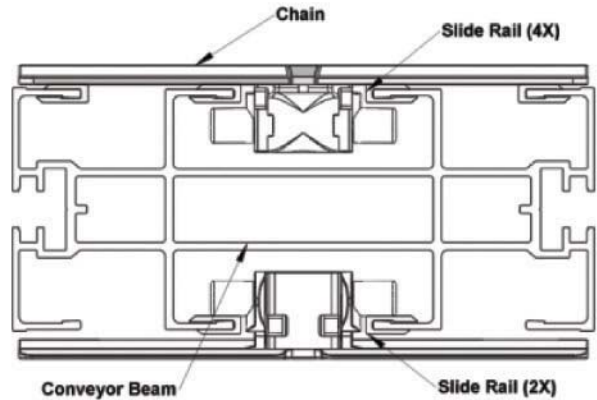
Slide Rail Colour: White Or Natural Colour

Slide Rail Material: HDPE , UHMW OR SPECIAL PE

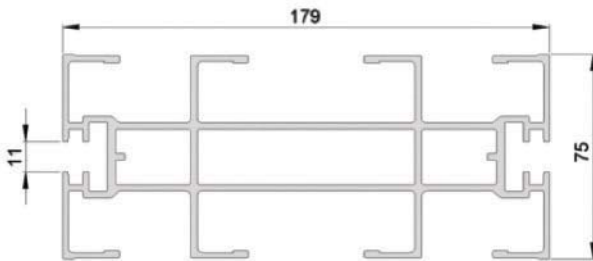
Slide Rail Rivet & Screw: FASLR-4X6 or FASLS-M5

Connecting strip is used to connect 2 beams.

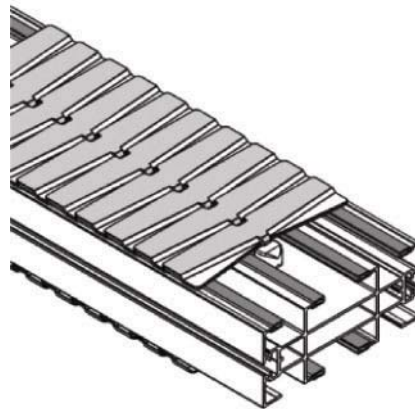
Connecting Strip: FACS-25x140A



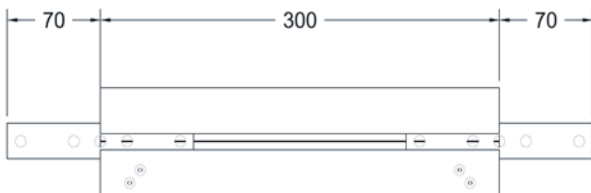
Conveyor Beam **FUCB-3**



UOM : 3 Meter / Length



Chain Connecting Module **FUCC-300**



UOM : 3 Meter / Length



Chain Common Date

Packaging: 5m per box

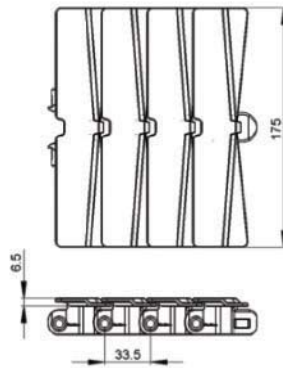
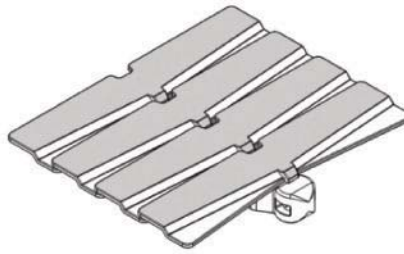
Pitch: 33.5mm

Width: 175mm

Tensile Strength at 20°C: 6000N

Colour: White

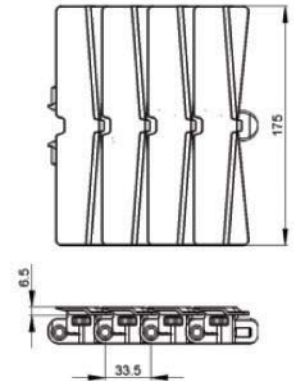
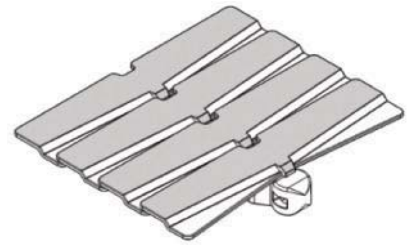
Plain Chain FUPC-5



UOM : pc

Application: Suitable for horizontal and slope < 5° transport of products with accumulation.

Roller Plain Chain FUPC-5R

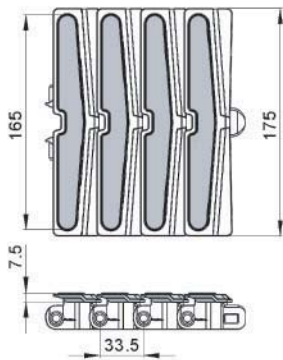
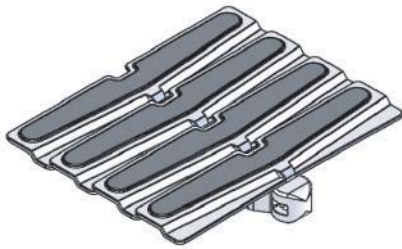


UOM : pc

Application: Suitable for horizontal and slope < 5° transport of products with accumulation.

**Friction Reducing Roller Chain
PATENT PENDING**

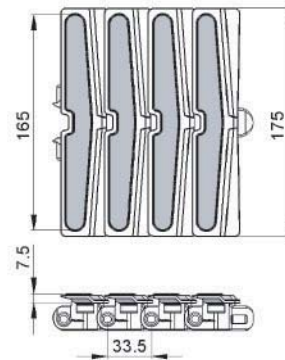
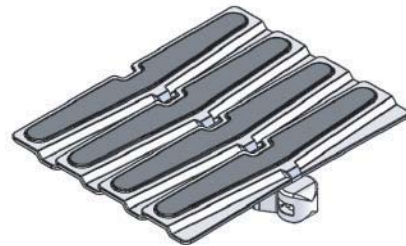
Friction Top Chain FUFT-5



UOM : 5 Meter / box

Application: Suitable for horizontal and slope < 5° transport of products with accumulation.

Roller Friction Top Chain FUFT-5R



UOM : 5 Meter / box

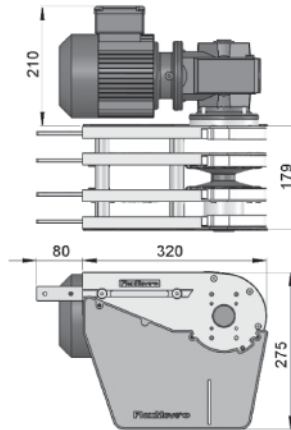
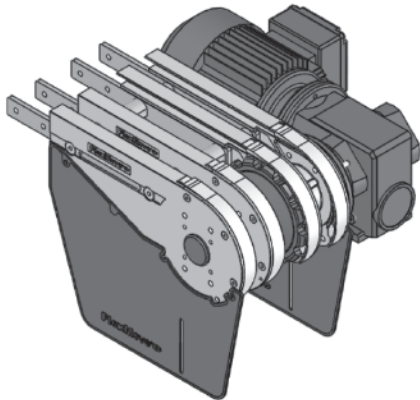
Application: Suitable for horizontal and slope < 5° transport of products with accumulation.

**Friction Reducing Roller Chain
PATENT PENDING**

FU Direct End Drive with Motor (LEFT)

FUDD-A180-0.25L, 0.37L, 0.55L

FUDD-A180-0L



Max Traction Force : 1250N

The Direct End Drive Unit is without torque limiter. Standard attached gear motors are with SEW motor size 0.25kW, 0.37kW & 0.55kW. FUDD-A180-0L represents direct drive without gear motor. Multi channel drives are available upon request.

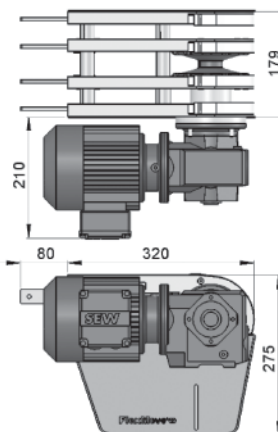
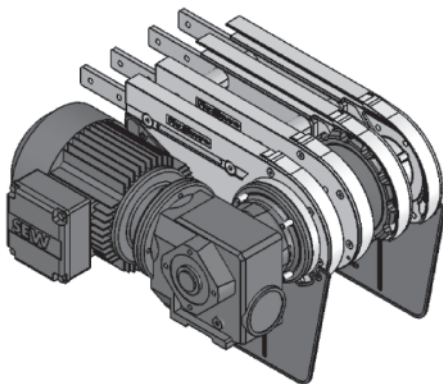
UOM: pc

Chain required 2-way: 0.8 meter
Slide rail required 2-way: 0 meter

FU Direct End Drive with Motor (RIGHT)

FUDD-A180-0.25R, 0.37R, 0.55R

FUDD-A180-0R



Max Traction Force : 1250N

The Direct End Drive Unit is without torque limiter. Standard attached gear motors are with SEW motor size 0.25kW, 0.37kW & 0.55kW. FUDD-A180-0R represents direct drive without gear motor. Multi channel drives are available upon request.

UOM: pc

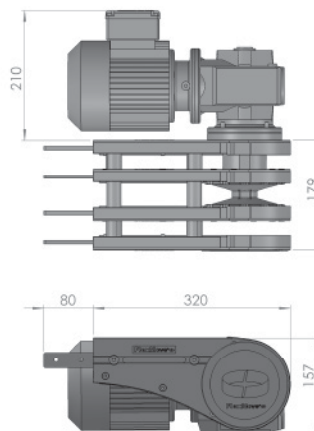
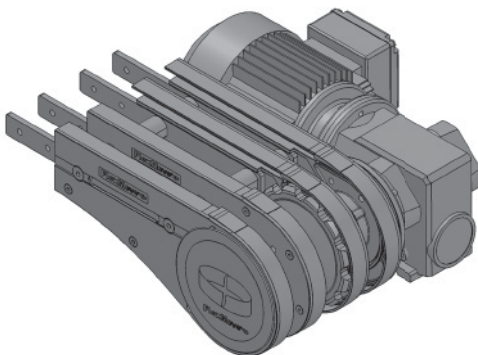
Chain required 2-way : 0.8 meter
Slide rail required 2-way: 0 meter

FU Direct End Drive unit with Motor GP (LEFT)

FUDD-A180GP-0.25L, 0.37L, 0.55L

FU Direct End Drive unit without Motor GP (LEFT)

FUDD-A180GP-0L



Max Traction Force : 1250N

The Direct End Drive Unit GP is without torque limiter. Standard attached gear motors are with SEW motor size 0.25kW, 0.37kW & 0.55kW. FUDD-A180GP-0L represents direct drive without gear motor.

UOM: pc

Chain required 2-way: 0.8 meter
Slide rail required 2-way: 0 meter

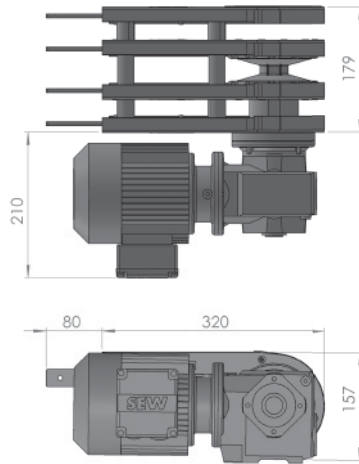
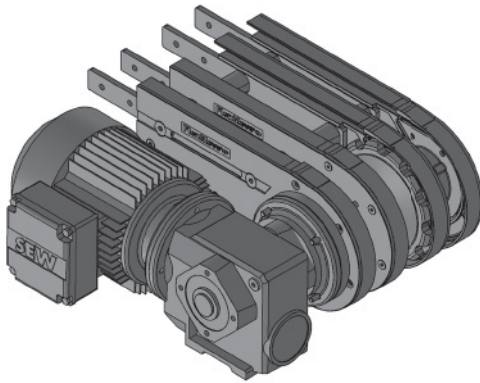
SEW gear motors are products of SEW Eurodrive

FU Direct End Drive unit with Motor GP (RIGHT)

FUDD-A180GP-0.25R, 0.37R, 0.55R

FU Direct End Drive unit without Motor GP (RIGHT)

FUDD-A180GP-0R



Max Traction Force : 1250N

The Direct End Drive Unit GP is without torque limiter. Standard attached gear motors are with SEW motor size 0.25kW, 0.37kW & 0.55kW. FUDD-A180GP-0R represents direct drive without gear motor.

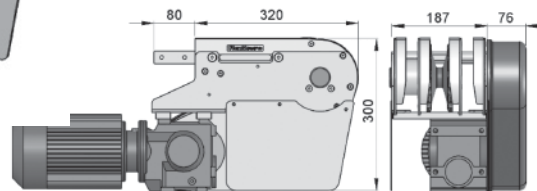
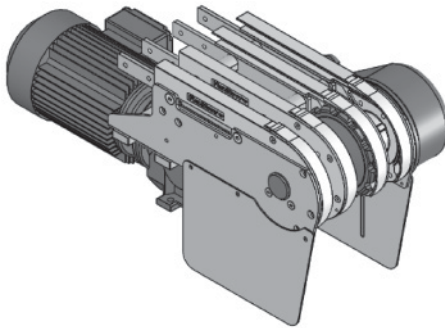
UOM: pc

Chain required 2-way : 0.8 meter
Slide rail required 2-way: 0 meter

FU Suspended Drive with Motor (LEFT)

FUSD-A180-0.25L, 0.37L, 0.55L

FUSD-A180-0L



Max Traction Force : 1250N

The Direct End Drive Unit is without torque limiter. Standard attached gear motors are with SEW motor size 0.25kW, 0.37kW & 0.55kW. FUSD-A180-0L represents direct drive without gear motor. Multi channel drives are available upon request.

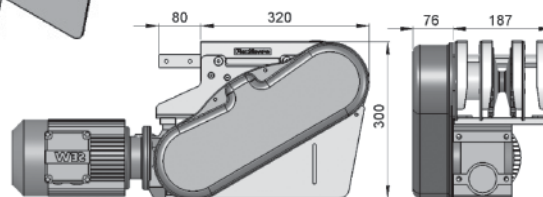
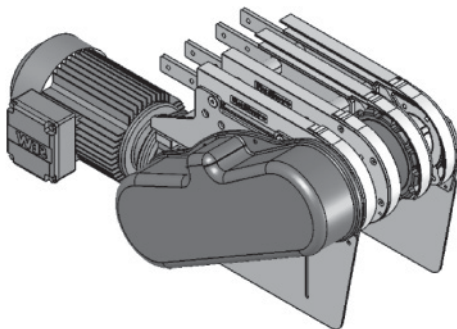
UOM: pc

Chain required 2-way: 0.8 meter
Slide rail required 2-way: 0 meter

FU Suspended Drive with Motor (RIGHT)

FUSD-A180-0.25R, 0.37R, 0.55R

FUSD-A180-0R



Max Traction Force : 1250N

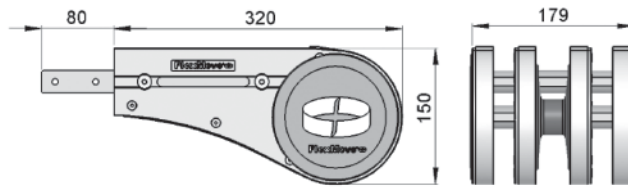
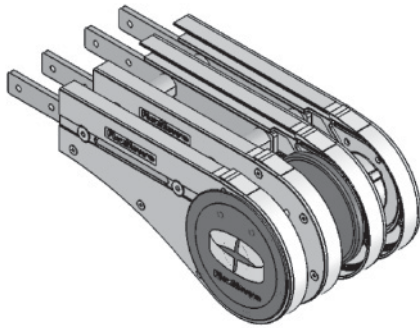
The Direct End Drive Unit is without torque limiter. Standard attached gear motors are with SEW motor size 0.25kW, 0.37kW & 0.55kW. FUSD-A180-0R represents direct drive without gear motor. Multi channel drives are available upon request.

UOM: pc

Chain required 2-way : 0.8 meter
Slide rail required 2-way: 0 meter

SEW gear motors are products of SEW Eurodrive

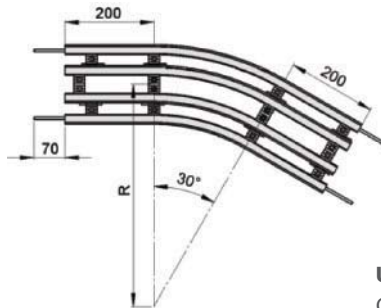
FU Idler End 180 FUIE-A180



UOM: pc

Chain required 2-way: 0.8 meter
Slide rail required 2-way: 0.5 meter

FU Horizontal Plain Bend 30°



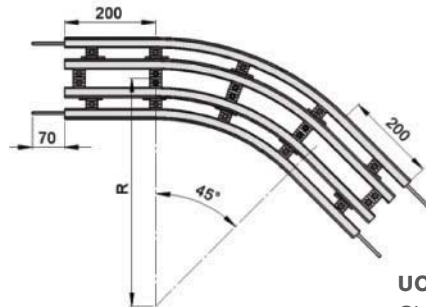
Horizontal plain bend, 30° ± 1°

R = 500 ± 10mm **FUHB-30R500**
R = 700 ± 10mm **FUHB-30R700**
R = 1000 ± 10mm **FUHB-30R1000**

UOM : pc

Chain required 2-way (500, 700, 1000): 1.3, 1.5, 1.8 meter
Slide rail required 2-way (500, 700, 1000): 4.0, 4.6, 5.5 meter

FU Horizontal Plain Bend 45°



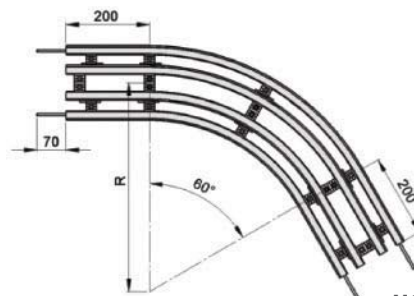
Horizontal plain bend, 45° ± 1°

R = 500 ± 10mm **FUHB-45R500**
R = 700 ± 10mm **FUHB-45R700**
R = 1000 ± 10mm **FUHB-45R1000**

UOM : pc

Chain required 2-way (500, 700, 1000): 1.6, 1.9, 2.4 meter
Slide rail required 2-way (500, 700, 1000): 4.8, 5.7, 7.1 meter

FU Horizontal Plain Bend 60°



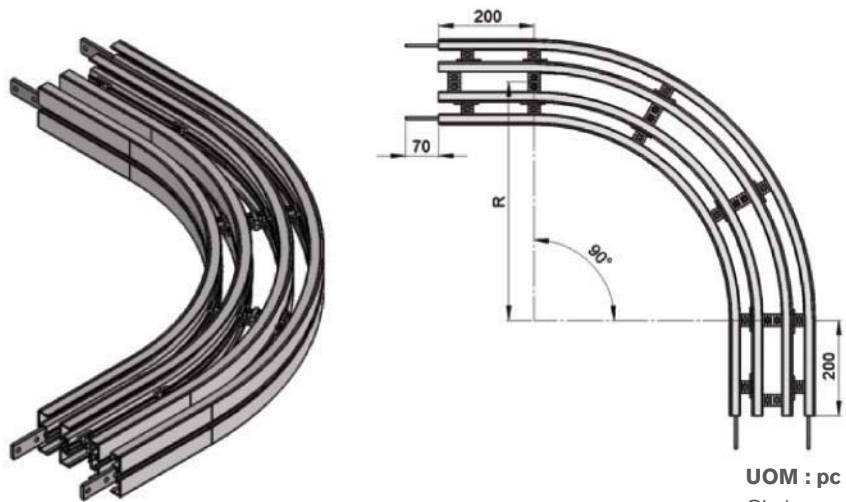
Horizontal plain bend, 60° ± 1°

R = 500 ± 10mm **FUHB-60R500**
R = 700 ± 10mm **FUHB-60R700**
R = 1000 ± 10mm **FUHB-60R1000**

UOM : pc

Chain required 2-way (500, 700, 1000): 1.8, 2.3, 2.9 meter
Slide rail required 2-way (500, 700, 1000): 5.5, 6.8, 8.7 meter

FU Horizontal Plain Bend 90°



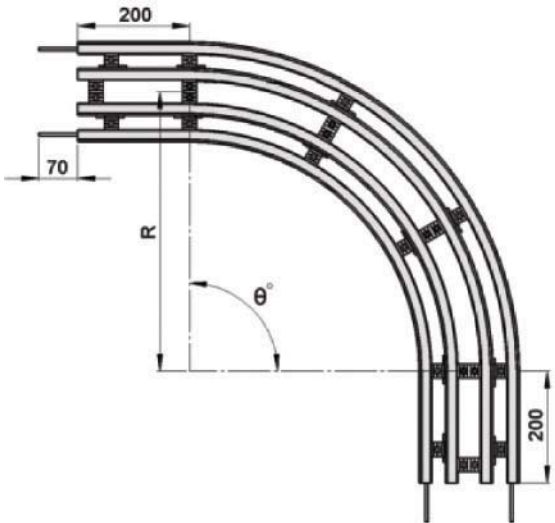
Horizontal plain bend, 90° ± 1°

- R = 500 ± 10mm **FUHB-90R500**
- R = 700 ± 10mm **FUHB-90R700**
- R = 1000 ± 10mm **FUHB-90R1000**

UOM : pc

Chain required 2-way (500, 700, 1000): 2.4, 3.0, 3.9 meter
 Slide rail required 2-way (500, 700, 1000): 7.1, 9.0, 11.8 meter

FU Horizontal Plain Bend 5° - 180°



Example for FU Horizontal Plain Bend Ordering

Horizontal plain bend, Ø° ± 1°

- R = 500 ± 10mm **FUHB - Ø°R500**
- R = 700 ± 10mm **FUHB - Ø°R700**
- R = 1000 ± 10mm **FUHB - Ø°R1000**

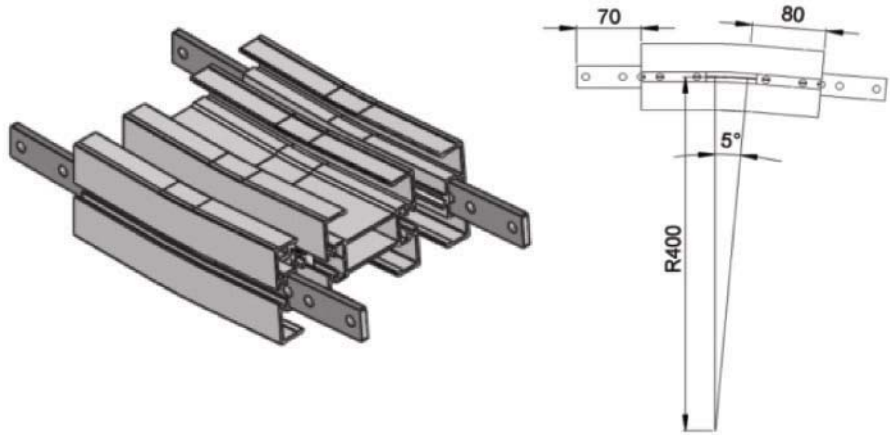
If an angle of 120° is needed for radius R500 horizontal plain bend, so the ordering part number is

FUHB-120R500

UOM : pc

Chain required 2-way (500, 700, 1000) : meter (variable to angle)
 Slide rail required 2-way (500, 700, 1000): meter (variable to angle)

FU Vertical Bend 5° FUVB-5R400

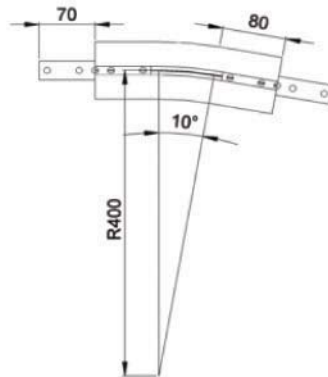
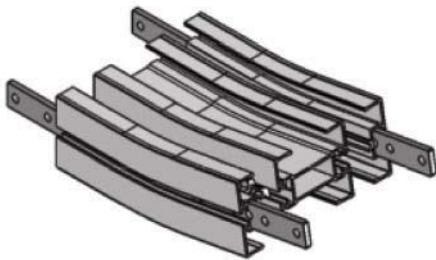


UOM: pc

Chain required 2-way: 0.4 meter
 Slide rail required 2-way: 1.2 meter

FU Vertical Bend 10°

FUVB-10R400

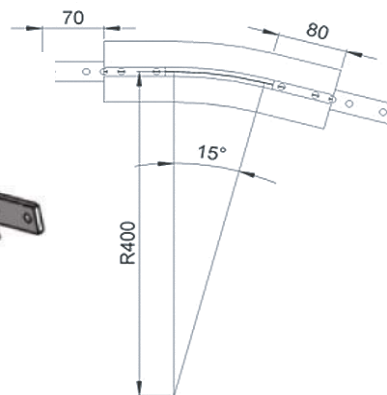
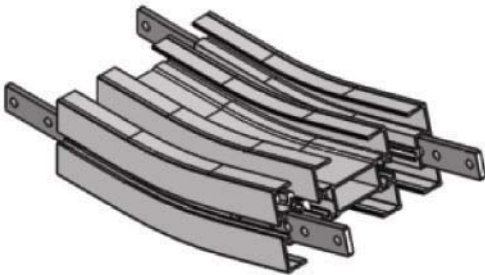


UOM: pc

Chain required 2-way: 0.5 meter
Slide rail required 2-way: 1.4 meter

FU Vertical Bend 15°

FUVB-15R400

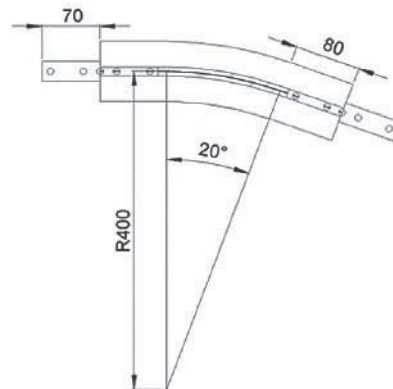
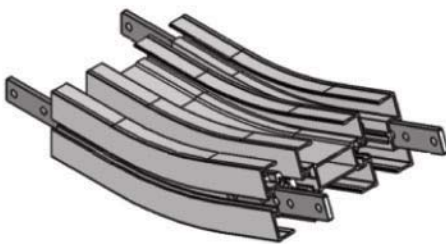


UOM: pc

Chain required 2-way: 0.5 meter
Slide rail required 2-way: 1.6 meter

FU Vertical Bend 20°

FUVB-20R400

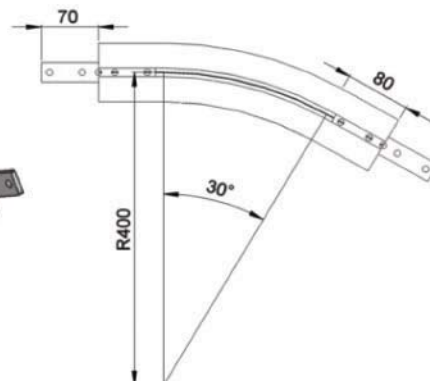
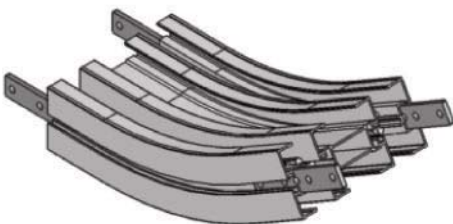


UOM: pc

Chain required 2-way: 0.6 meter
Slide rail required 2-way: 1.8 meter

FU Vertical Bend 30°

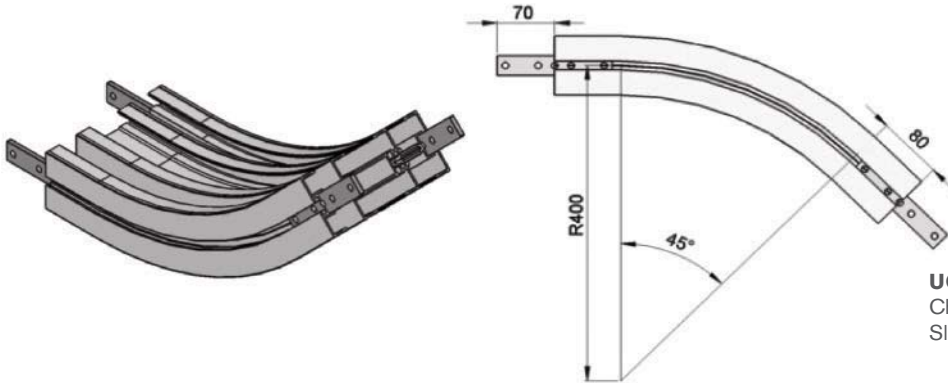
FUVB-30R400



UOM: pc

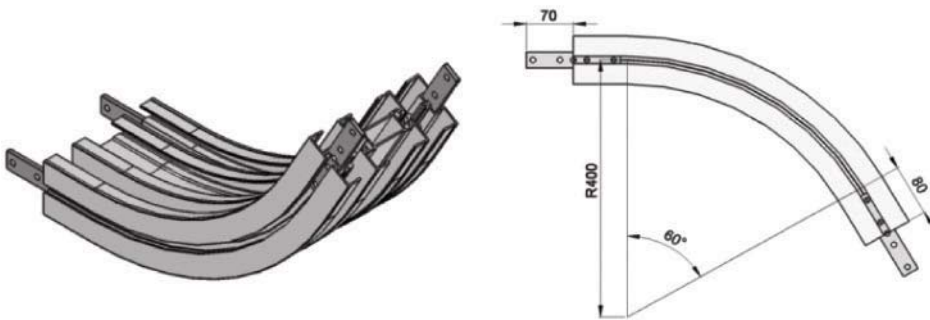
Chain required 2-way: 0.7 meter
Slide rail required 2-way: 2.2 meter

FU Vertical Bend 45° FUVB-45R400



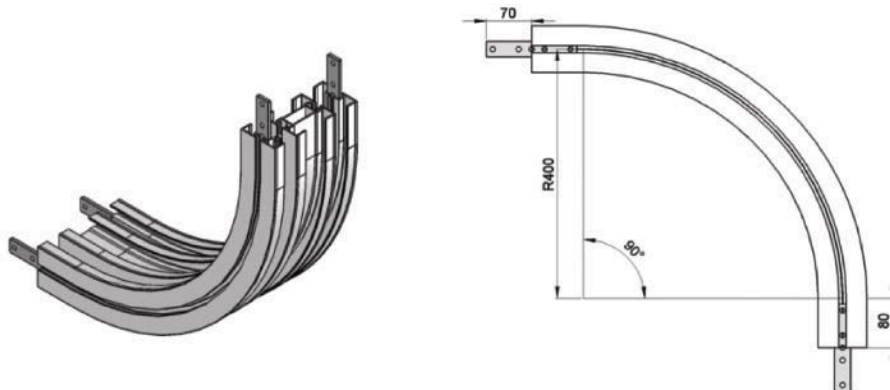
UOM: pc
 Chain required 2-way: 0.9 meter
 Slide rail required 2-way: 2.8 meter

FU Vertical Bend 60° FUVB-60R400



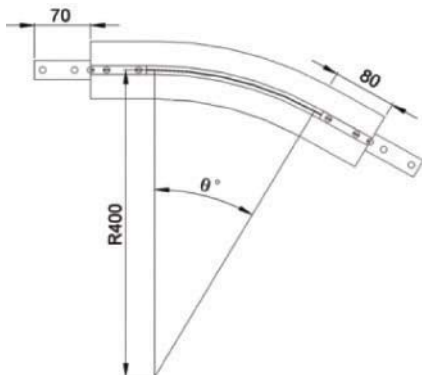
UOM: pc
 Chain required 2-way: 1.2 meter
 Slide rail required 2-way: 3.5 meter

FU Vertical Bend 90° FUVB-90R400



UOM: pc
 Chain required 2-way: 1.6 meter
 Slide rail required 2-way: 4.7 meter

FU Vertical Bend 5°-90°



Example for FU Vertical Bend Ordering

- Vertical bend, $\varnothing^\circ \pm 1^\circ$
- FUVB- \varnothing° R400

If an angle of 65° is needed for vertical bend, so the ordering part number is

FUVB-65R400

*The outer bend is assembled using connecting strip (FACS-25x140A).
 Angle of "Ø°" must be indicated when ordering.*