

SS

63mm Stainless
Steel Conveyor
System



SS

SS SERIES

Variety of chain type suitable for wide range of applications either horizontal or vertically product transportation.

FV Series Characteristic

Beam Width: 65mm

Product Width: Refer to Guide Rail Assembly

Accessories Needed

Slide Rail Required: FASR-25 OR FASR-25U

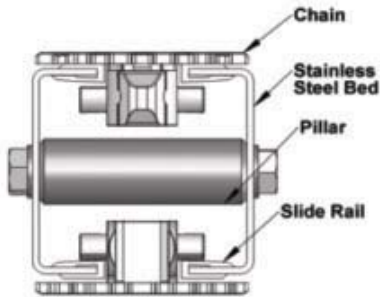
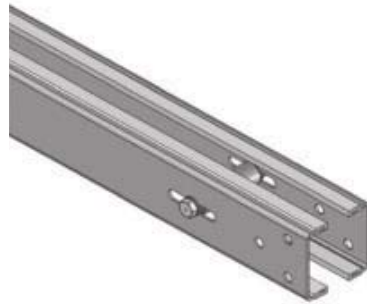
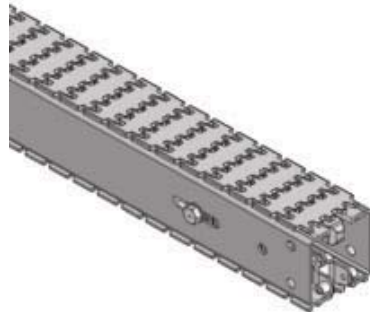
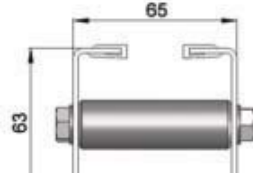
Slide Rail Colour: White Or Natural Colour

Slide Rail Material: HDPE OR UHMW

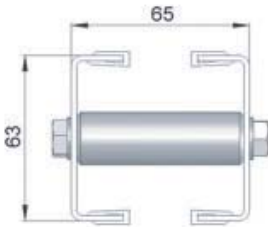
Slide Rail Rivet: FASLS-M5

Connecting strip is used to connect 2 beams.

Connecting Strip: SACS-50x75

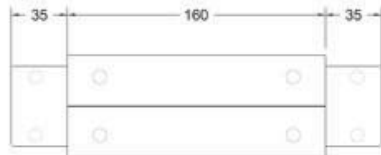


Conveyor Beam **SSCB**



UOM : 3 Meter / Length

Conveyor Beam **SSCC-160**



UOM : 3 Meter / Length



SSIE-320
Idler End



SSDD-R
Direct Drive



SAHBS-90S
Horizontal
Beam Support



**Tripod
Structure**



SS SERIES

Chain Common Data

Packaging: 5m per box

Pitch: 25.4mm

Width: 63mm

Tensile Strength at 20°C: 4000N

Colour: White & Black (Conductive)

Material :-

Chain: White Acetal / POM

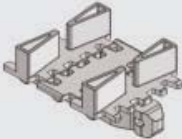
Pivot: Polyamide

Pivot Pin: Stainless Steel

Insert (Wedge & Friction): TPE Grey

Example for FCCT-5A17-L#

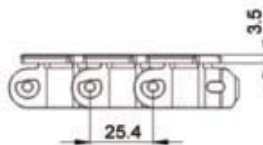
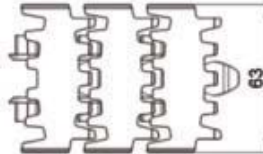
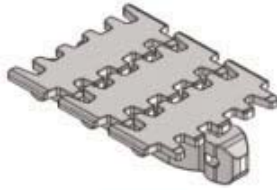
= 1 cleated top chain with alternate of # link of plain chain



The above chain is FSCT-5A17-L1, 1 link cleated top chain with alternate of 1 link of plain chain.

Note: # = 1, 2, 3, 4, 5.....20

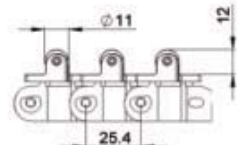
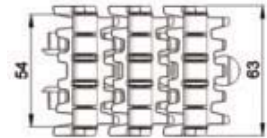
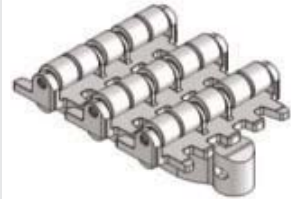
Standard Plain Chain **FSPC-5**



UOM: 5 Meter / box

Application: Suitable for horizontal and slope < 5° transport of products with accumulation.

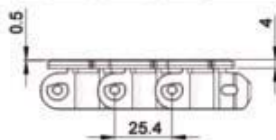
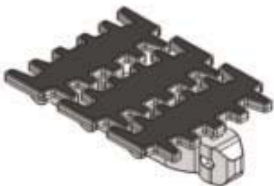
Roller Top Chain **FSRT-5**



UOM: 5 Meter / box

Application: Suitable for accumulation of product with low friction and pressure.

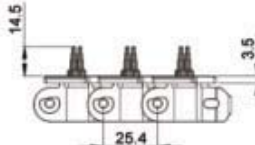
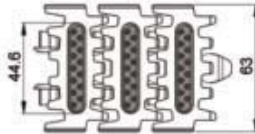
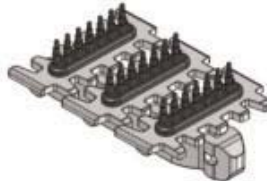
Friction Top Chain **FSFT-5**



UOM: 5 Meter / box

Application: Suitable for transport product in slope > 5° but ≤ 30° without accumulation.

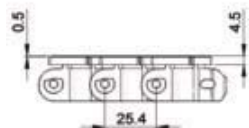
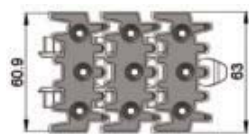
Wedge Top Chain **FSWT-5A**



UOM: 5 Meter / box

Application: Vertical Wedge transportation of products.

S/steel Top Chain **FSST-5S**

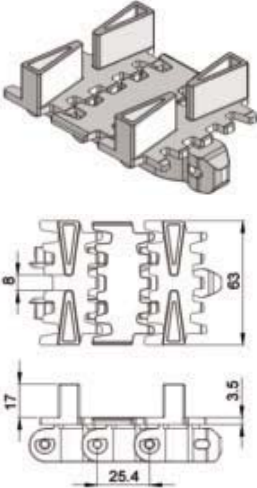


UOM: 5 Meter / box

Application: Suitable to transport metal products in accumulation.

Cleat Top Chain-A **FSCT-5A17-L#**

= 1, 2, 3, 4, 5.....20

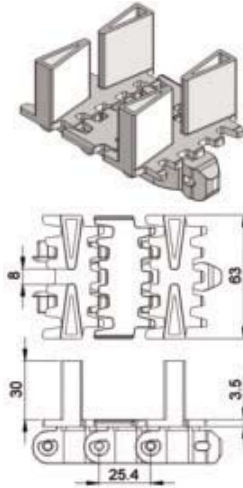


UOM: 5 Meter / box

Application: Suitable for vertical transport of product with no accumulation.

Cleat Top Chain-A **FSCT-5A30-L#**

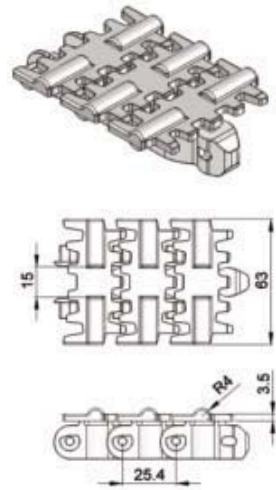
= 1, 2, 3, 4, 5.....20



UOM: 5 Meter / box

Application: Suitable for vertical transport of product with no accumulation.

Cleat Top Chain-B **FSCT-5B**

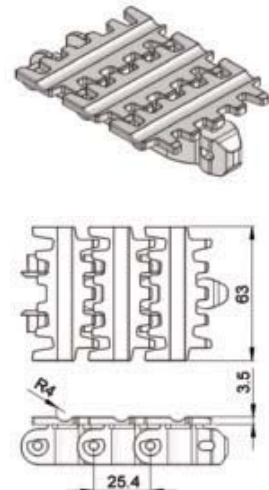


UOM: 5 Meter / box

Application: Suitable Cigarette transport.



Cleat Top Chain-C **FSCT-5C**



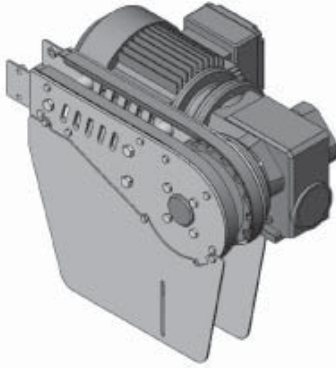
UOM: 5 Meter / box

Application: Suitable for Cigarette transport.

SS SERIES

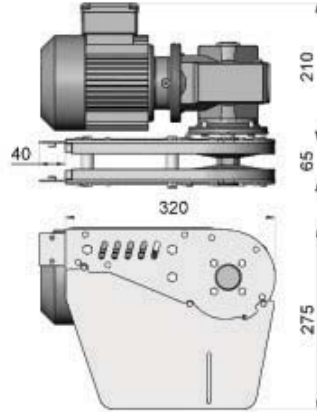
SS Direct End Drive with Motor (LEFT)

SSDD-A65-0.25L, 0.37L, 0.55L



SS Direct End Drive without Motor (LEFT)

SSDD-A65-0L



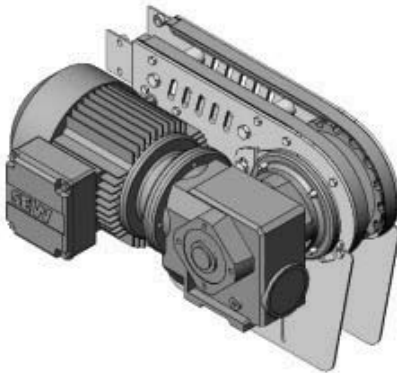
Max Traction Force : 500N

The standard Direct End Drive Unit is without torque limiter. Standard attached gear motors are with SEW motor size 0.25kW, 0.37kW & 0.55kW. SSDD-A65-0L represents direct drive without motor. Multi channel drives available upon request.

UOM : pc Chain required 2-way : 0.8 meter Slide rail required 2-way: 0.5 meter

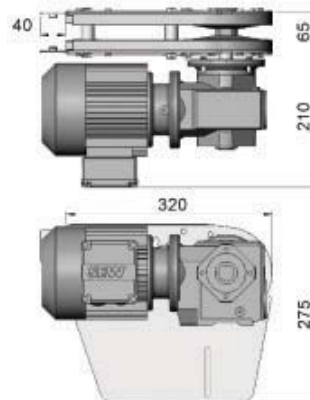
SS Direct End Drive with Motor (RIGHT)

SSDD-A65-0.25R, 0.37R, 0.55R



SS Direct End Drive without Motor (RIGHT)

SSDD-A65-0R



Max Traction Force : 500N

The standard Direct End Drive Unit is without torque limiter. Standard attached gear motors are with SEW motor size 0.25kW, 0.37kW & 0.55kW. SSDD-A65-0R represents direct drive without motor. Multi channel drives available upon request.

UOM : pc Chain required 2-way : 0.8 meter Slide rail required 2-way: 0.5 meter

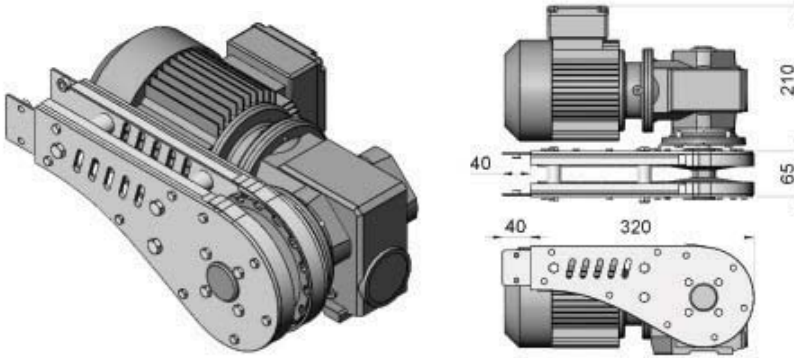
SEW gear motors are products of SEW Eurodrive

SS Direct End Drive with Motor GP (LEFT)

SSDD-A65GP-025L, 0.37L, 0.55L

SS Direct End Drive without Motor GP (LEFT)

SSDD-A65GP-0L



Max Traction Force : 500N

The Direct End Drive GP is used for vertical wedge conveyor. Standard attached gear motors are with SEW motor size 0.25kW, 0.37kW & 0.55kW. SSDD-A65GP-0L represents direct drive without motor.

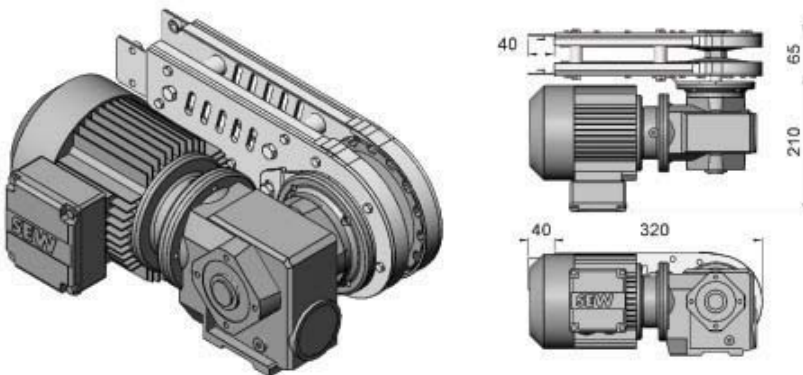
UOM : pc Chain required 2-way : 0.8 meter Slide rail required 2-way: 0.5 meter

SS Direct End Drive with Motor GP (RIGHT)

SSDD-A65GP-025R, 0.37R, 0.55R

SS Direct End Drive without Motor GP (RIGHT)

SSDD-A65GP-0R



Max Traction Force : 500N

The Direct End Drive GP is used for vertical wedge conveyor Standard attached gear motors are with SEW motor size 0.25kW, 0.37kW & 0.55kW. SSDD-A65GP-0R represents direct drive without motor.

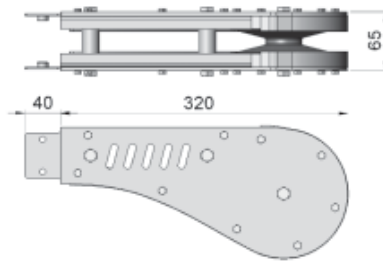
UOM : pc Chain required 2-way : 0.8 meter Slide rail required 2-way: 0.5 meter

SEW gear motors are products of SEW Eurodrive

SS SERIES

SS Idler End-A65

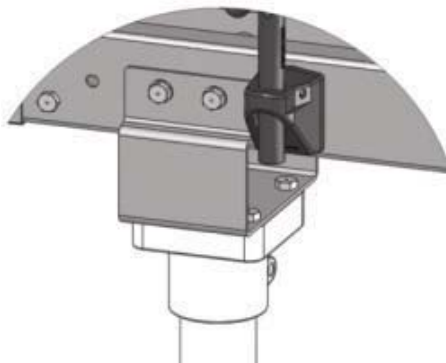
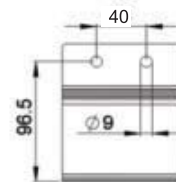
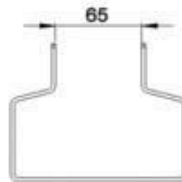
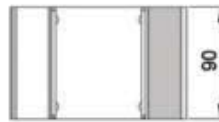
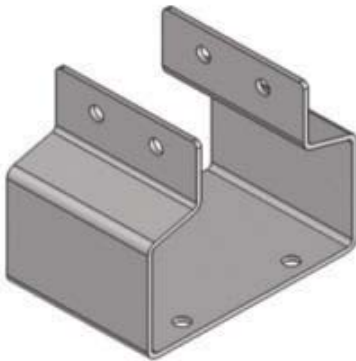
SSIE-A65



UOM : pc Chain required 2-way : 0.8 meter Slide rail required 2-way: 0.5 meter

SAHBS-90S

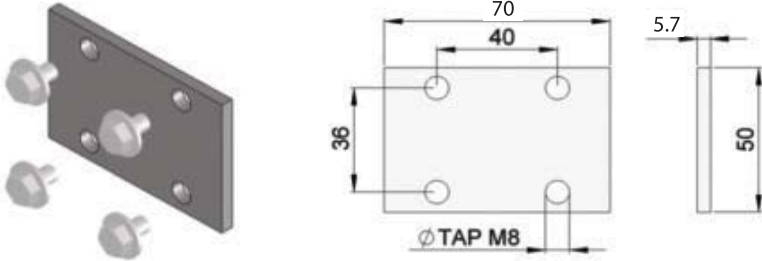
SS Horizontal beam support bracket – Stainless Steel



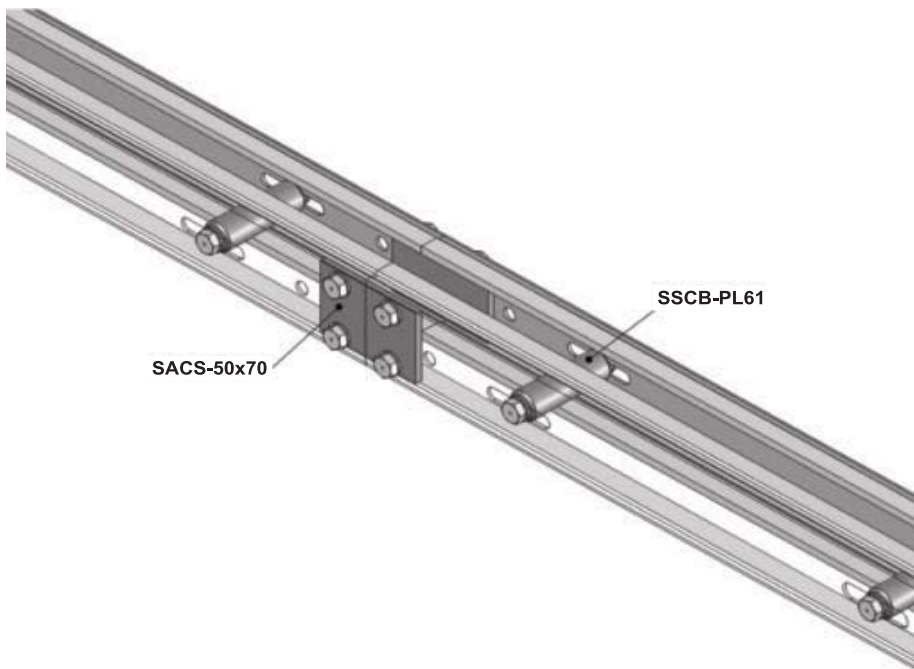
UOM : pc

SACS-50x70

Connecting Strip – Stainless Steel



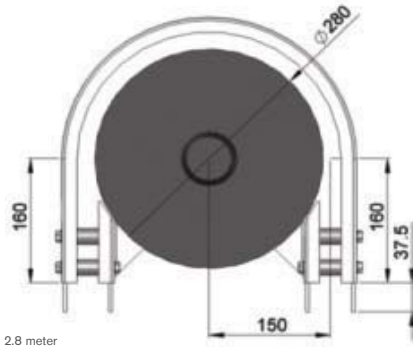
UOM : pc



SS SERIES

SS Wheel Bend 180°

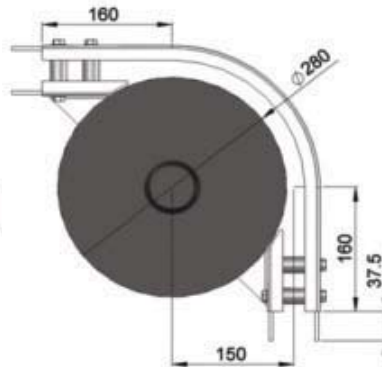
SSWB-180R150A



UOM : pc Chain required 2-way : 1.4 meter Slide rail required 2-way: 2.8 meter

SS Wheel Bend 90°

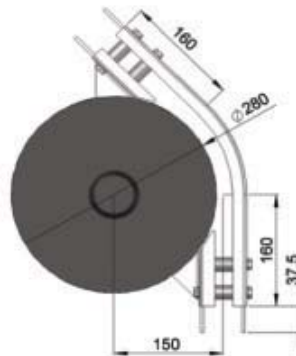
SSWB-90R150A



UOM : pc Chain required 2-way : 0.9 meter Slide rail required 2-way: 1.7 meter

SS Wheel Bend 45°

SSWB-45R150A



UOM : pc Chain required 2-way : 0.6 meter Slide rail required 2-way: 1.2 meter

SS Wheel Bend 5° - 180°

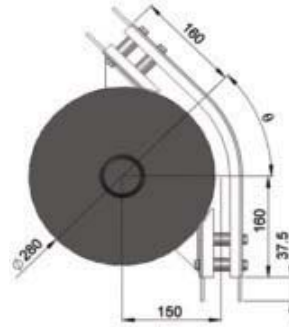
Example for SS Wheel Bend Ordering

- Wheel bend, $\varnothing^\circ \pm 1^\circ$

If angle of 65° is needed for wheel bend,
so the ordering part number is

SSWB-65R150

*The outer bend is assembled using connecting strip
(SACS-50x75).
Angle of \varnothing° must be indicated when ordering.*

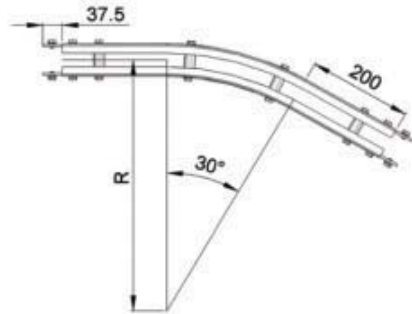


SS Horizontal Plain Bend 30°



UOM : pc

Chain required 2-way (500, 700) : 1.4, 1.6 meter
Slide rail required 2-way(500, 700): 2.8, 3.2 meter



Horizontal plain bend, 30° ± 1°

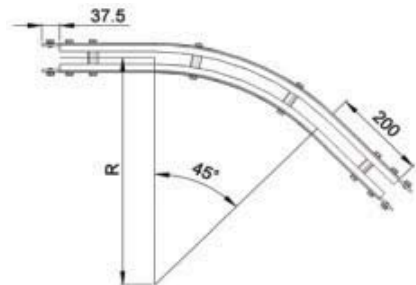
R = 500 ± 10mm **SSHB-30R500**
R = 700 ± 10mm **SSHB-30R700**

SS Horizontal Plain Bend 45°



UOM : pc

Chain required 2-way (500, 700) : 1.6, 1.9 meter
Slide rail required 2-way(500, 700): 2.9, 3.3 meter

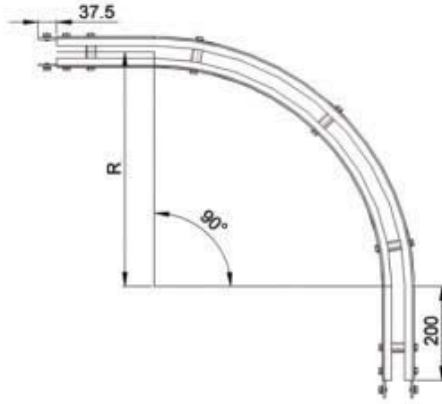


Horizontal plain bend, 45° ± 1°

R = 500 ± 10mm **SSHB-45R500**
R = 700 ± 10mm **SSHB-45R700**

SS SERIES

SS Horizontal Plain Bend 90°



UOM : pc

Chain required 2-way (500, 700) : 2.4, 3.0 meter
 Slide rail required 2-way(500, 700): 4.8, 6.0 meter

Horizontal plain bend, 30° ± 1°

R = 500 ± 10mm **SSHB-90R500**
 R = 700 ± 10mm **SSHB-90R700**

SS Horizontal Plain Bend 5° - 90°

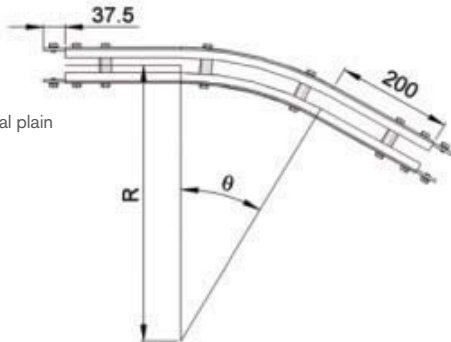
Example for SSHB Horizontal Plain Bend Ordering

Horizontal plain bend, θ° ± 1°

R = 500 ± 10mm **SSHB- θ°R50**
 R = 700 ± 10mm **SSHB- θ°R700**

If an angle of 120° is needed for radius R500 horizontal plain bend, so the ordering part number is

SSHB-120R500

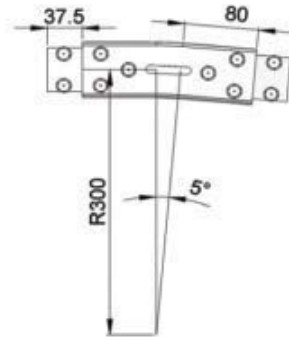
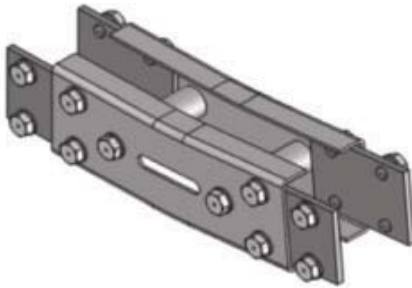


UOM : pc

Chain required 2-way (500, 700) : meter (variable to angle)
 Slide rail required 2-way(500, 700): meter (variable to angle)

SS Vertical Bend 5°

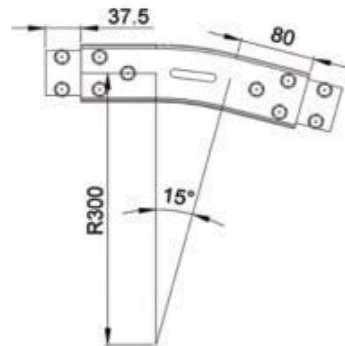
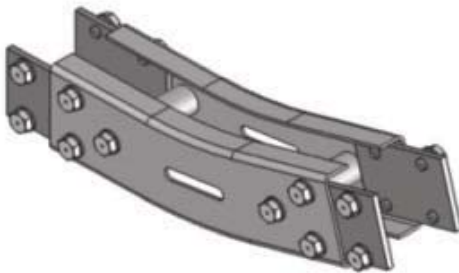
SSVB-5R300



UOM : pc Chain required 2-way: 0.4 meter Slide rail required 2-way: 0.8 meter

SS Vertical Bend 15°

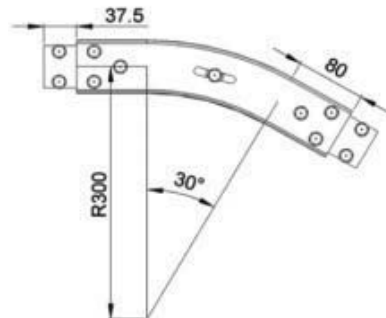
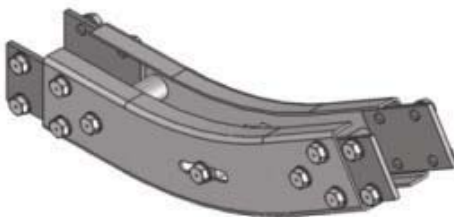
SSVB-15R300



UOM : pc Chain required 2-way: 0.6 meter Slide rail required 2-way: 1.1 meter

SS Vertical Bend 30°

SSVB-30R300



UOM : pc Chain required 2-way: 0.8 meter Slide rail required 2-way: 1.5 meter

SS SERIES

SS Vertical 5° - 90°

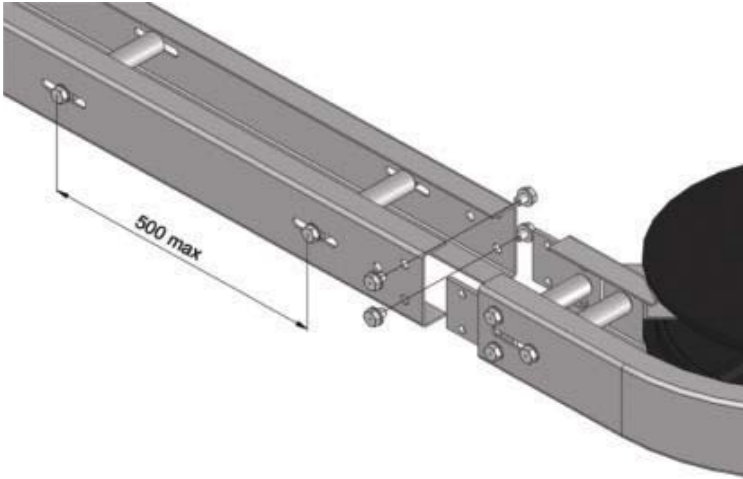
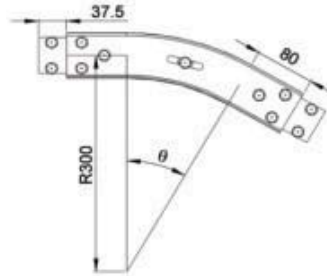
Example for SS Vertical Bend Ordering

- Vertical bend, $\theta \pm 1^\circ$

If angle of 25° is needed for vertical bend, so the ordering part number is

SSVB-25R300

*The outer bend is assembled using connecting strip (SACS-50x75).
Angle of θ° must be indicated when ordering.*



SS Tripod Support Structure

SBSS-HXXXX, H=500, 1000, 1500

