

FDA Approved Materials  
& Components

Fast, Simple to Use  
Online Configurator

Rapid Deliveries

BISSC  
Certified Conveyors



*Aqua***Gard**<sup>®</sup>

## **7200, 7300 & 7350 SERIES CONVEYORS**

Stainless Steel Conveyors for Dry, Wipe Down  
and Wet Applications

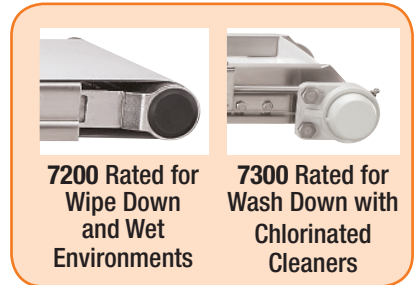
**DORNER**<sup>®</sup> 

## Dorner AquaGard Conveyors are Best for:

- Baking
- Packaged Foods
- Pet Foods
- Secondary Packaging
- Snack Foods
- Tight Transfers
- Confectionary
- Elevation Changes
- And More!

## 7200 & 7300 Series Specifications

- Belted and Cleated Belt Models
- Loads up to 27 kg (60 lbs)
- Widths: 44 mm (1.75 in) to 457 mm (18 in)
- Lengths: 610 mm (2 ft) to 8,486 mm (18 ft)
- 11 gauge Stainless Steel roll formed frame
- 7300 features a high pressure bearing option
- Available in straights only

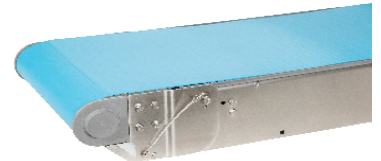


**7200 Rated for Wipe Down and Wet Environments**

**7300 Rated for Wash Down with Chlorinated Cleaners**

## 7350 Series Specifications

- Belted, Cleated Belt, Modular Belt, Modular Cleated Belt Models and Positive Drive Options
- Loads up to 341 kg (750 lbs)
- Widths: 152 mm (6 in) to 914 mm (36 in)
- Lengths: 914 mm (3 ft) to 2500mm (82 ft)
- FDA approved belting and plastic components
- 304 Stainless Steel frame
- Available in straights, curves or Z-Frame configurations



Positive Drive



Straights

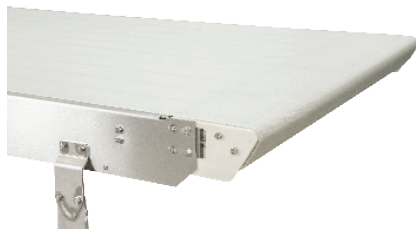


Curves  
(Modular Belt Only)



LPZ (Z-Frames), Nose Over & Horizontal to Incline

## Options



Nose Bar Transfers



Powered Transfers

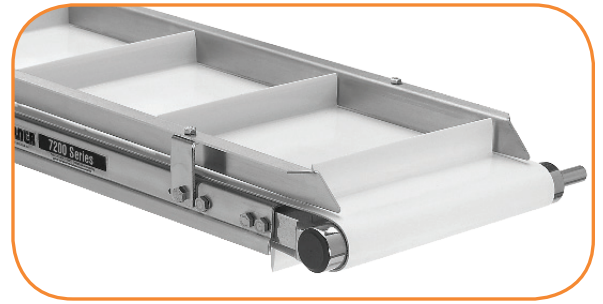


Variety of Guiding Options

Other options available including Roller Transfers, Chutes, Drip Pans, Formed Angle Stands, Hoppers and more.

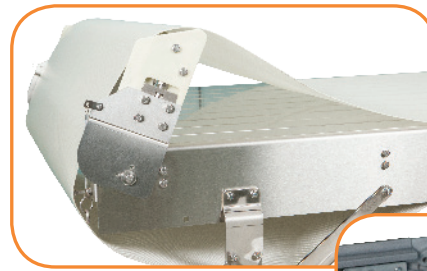
## Sleek, Low Profile Design - 7200 & 7300 Series

- Quick, five-minute belt change for increased uptime
- Rack and pinion for fast single, point belt tensioning
- V-Groove frame with V-Guided belt ensures accurate tracking
- Streamlined design fits where other conveyors do not
- Low profile, single piece frame for quick, easy cleaning
- Quick-clamp rail for easy mounting of bolt-on accessories



## Rugged and Durable Design - 7350 Series

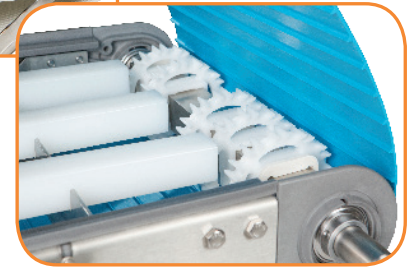
- 304 Stainless Steel frame features open design with minimal horizontal surfaces
- Designed for wipe down and low pressure wash-down with non-caustic chemicals
- V-guided belt tracking on belted models
- Tip-up tails for access inside the conveyor for cleaning and maintenance
- Safest chain in the industry with chain openings less than 4mm even on curves
- Unique chain design virtually eliminates friction providing capacity up to 4 curves on a single conveyor



Tip-Up Tails



Innovative Chain Design



Positive Drive Belt

## Engineered Solutions

- Dornier's Engineered Solutions Group can tailor fit AquaGard Conveyors for specific applications and product handling requirements
- With a custom-designed conveyor system in place, your products are processed faster, your services are delivered quicker, and your profits are increased with the help of highly specialized engineering
- Solutions include: chicaning, retracting tails, depositing and rejects, merging, product flow, and more!



## The Benefits of Dornier AquaGard Conveyors

### Industry Ready

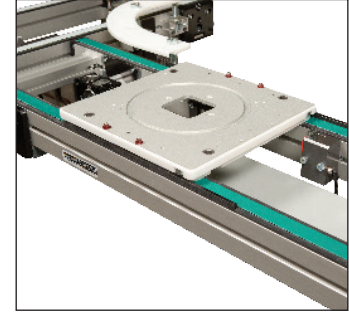
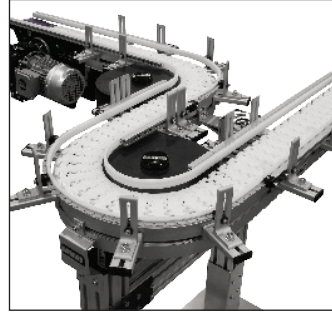
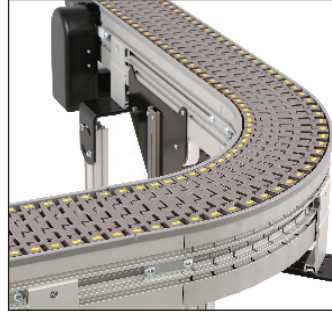
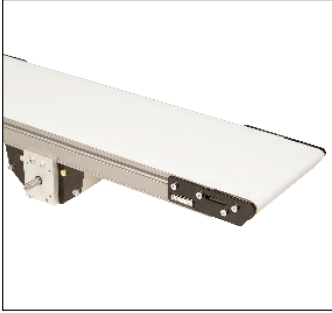
- Designed and manufactured to food equipment standards
- BISSC certified conveyors
- FDA approved materials and components
- Washdown rated gearmotors and controls

### A Focus on Speed

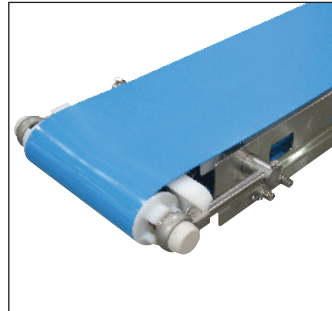
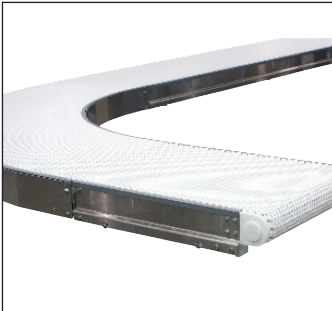
- Dornier sets the industry standard for rapid delivery
- Sanitary conveyors ship in as little as 10 business days
- Fast and effective design reduces cleaning preparation time

# Transforming Conveyor Automation

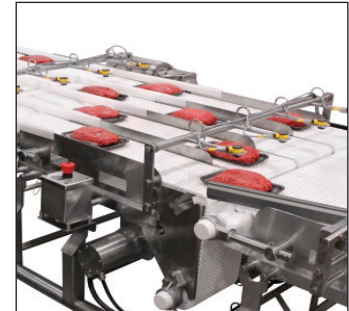
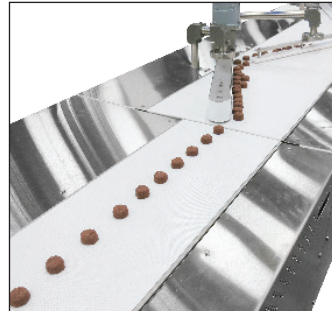
## Industrial & Automation Conveyors



## Sanitary Conveyors



## Engineered Solutions



Parts

Service

Online Configurator

Warranty

[www.dorner.com](http://www.dorner.com)



## Dorner – North & South America

### Dorner – U.S.A.

#### Headquarters

975 Cottonwood Ave  
Hartland, WI 53029, USA  
(800) 397-8664  
(262) 367-7600  
info@dorner.com

### Dorner – Canada

100-5515 North Service Road  
Burlington, Ontario L7L 6G6  
Canada  
(289) 208-7306  
info@dorner.com

### Dorner – Latin America

Carretera a Nogales #5297, Nave 11.  
Parque Industrial Nogales  
Zapopan, Jalisco C.P. 45222 México  
+52.33.30037400 | info.latinamerica@dorner.com

## Dorner – Europe

Karl-Heinz-Beckurts-Straße 7  
52428 Jülich, Germany  
+49 (0) 2461/93767-0 | info.europe@dorner.com

## Dorner – Asia

128 Jalan Permatang Damar Laut, Bayan Lepas 11960  
Penang, Malaysia  
+604-626-2948 | info.asia@dorner.com